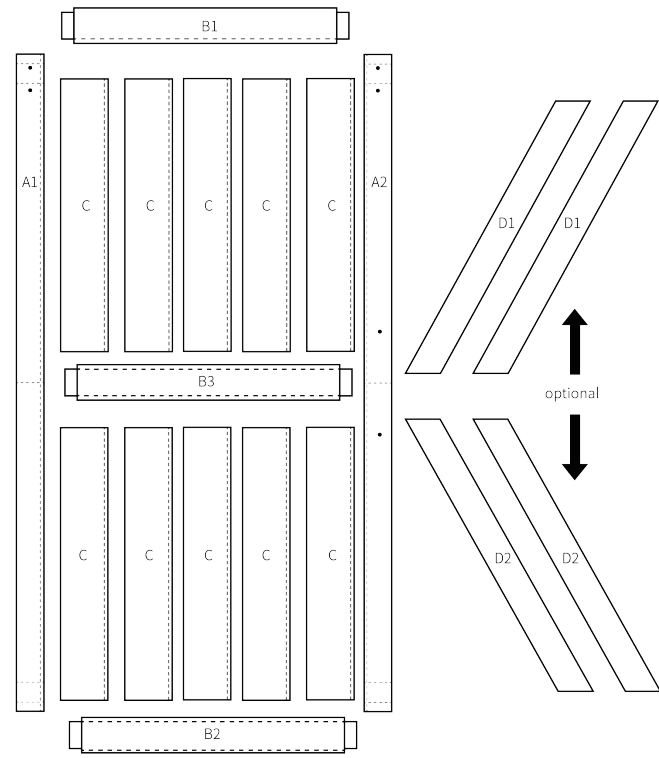


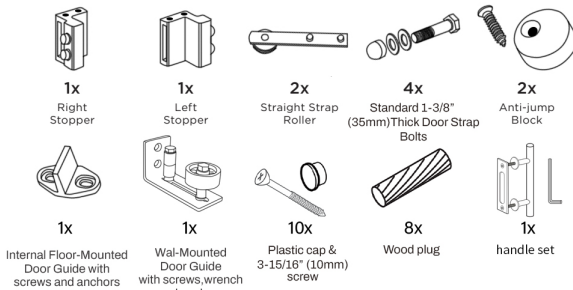
Installation Instructions

Arrange all parts on a flat surface as illustrated below.

IMPORTANT NOTICE: These instructions are tailored for a specific door size and type. Please make necessary adjustments to account for any differences in specifications, measurements, or door types not covered by these guidelines.



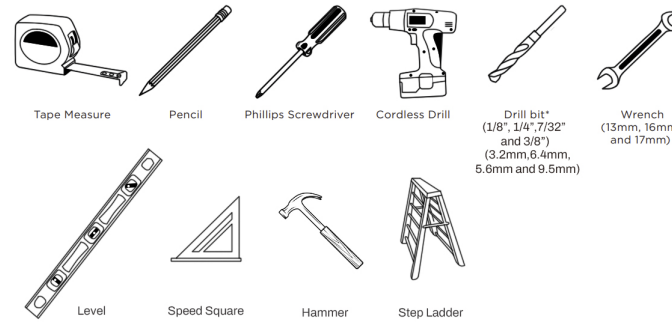
COMMON COMPONENTS



TRACK COMPONENTS

Door Width	Track Sizes	Anchor	Wall Spacer	Lag bolt
30 inch (762mm)	1x 5FT (1524mm)	4x	4x	4x
32 inch (813mm)	1x 6FT (1829mm)	5x	5x	5x
36 inch (914mm)	1x 6.6FT (2012mm)	5x	5x	5x
42 inch (1067mm)	1x 7FT (2134mm)	5x	5x	5x

TOOLS REQUIRED



Step 1: Assemble the rails

- On a flat, clean surface, lay out one side stile (A1) with the groove facing to the right. Insert the wooden plugs into the top rail (B1), middle rail (B3), bottom rail (B2) position and assemble them to side stile (A1) by fitting the tongues of the rails into the groove of the side stile. Please note that there are two wooden plugs for the middle rail and one wooden plug for the top & bottom rails. The pre-drilled holes for wooden plugs are bigger than the pre-drilled holes for screws.
- Drive the 3-15/16" (100mm) screws through the pre-drilled holes on the left side of A1 rail into the slats. Please note that there are one screw for the middle rail and two screws for the top & bottom rails.

Place the plastic covers in the holes after tightening the screws.

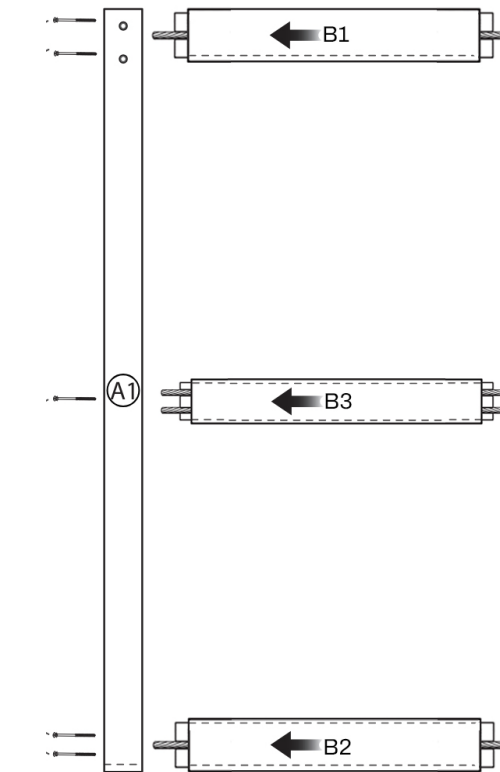


FIGURE 1

Step 2: Insert slats

- Place the left side slat (C) with its groove facing right and slides them in through the rails.
- Place the right side stile (A2) next to the assembled slats and rails with the groove facing left. Again, insert the wooden plugs into the top rail (B1), middle rail (B3), bottom rail (B2) position and assemble them to side stile (A2). Please note that there are two wooden plugs for the middle rail and one wooden plug for the top & bottom rails. The pre-drilled holes for wooden plugs are bigger than the pre-drilled holes for screws.

Drive the 3-15/16" (100mm) screws through the pre-drilled holes on the left side of A2 rail into the slats. Please note that there are one screw for the middle rail and two screws for the top & bottom rails.

Place the plastic covers in the holes after tightening the screws.

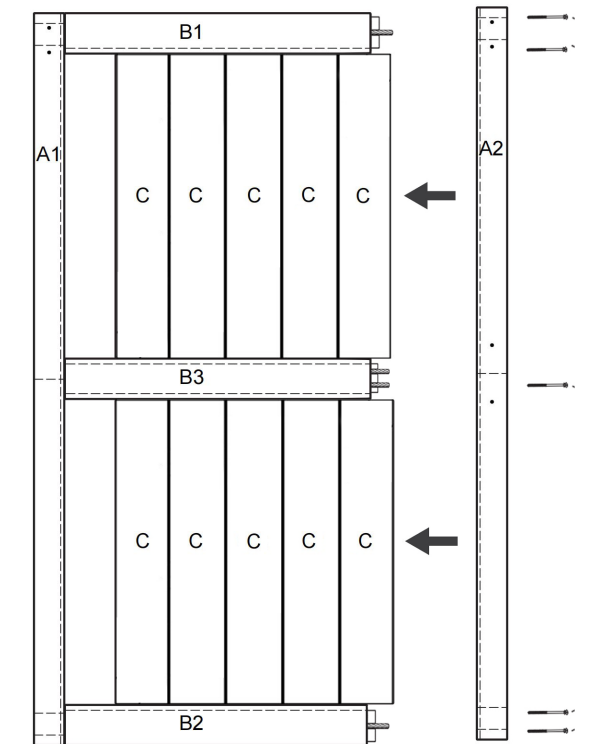


FIGURE 2

Barn door installation instructions

Step 3: Install Diagonal Rails (optional)

- Use the diagonal overlays (D1/D2) for decoration by adhering them to the surface with double-sided adhesive.
- Remove the protective paper from the adhesive on the back of D1/D2 and flip them over. Place the two ends of D1/D2 on the assembled door surface first, allowing the middle to arch. Press down the middle of D1/D2 to ensure the overlay sticks firmly to the surface.
- Turn the door over and repeat the previous steps to install D1/D2 on the other side.

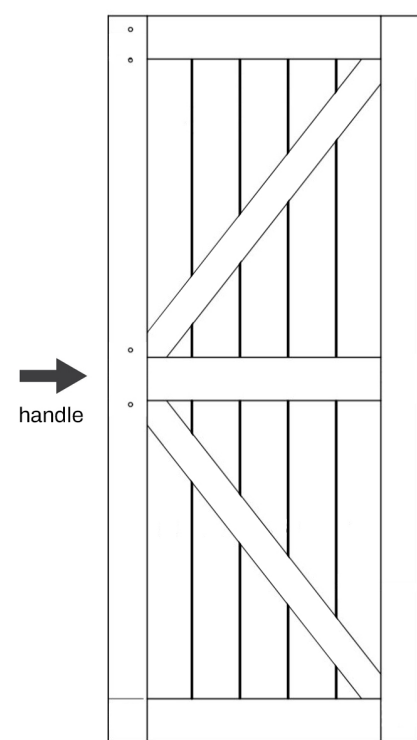


FIGURE 3

Step 4: Attach the Door Pull

- Place the door pull in the pre-drilled location on the door. Ensure it is properly aligned and level.
- Using the allen key provided, secure the door pull, handle, screw and gasket to the door following the arrangement in the figure below.
- Ensure all screws are tightly fastened and the door pull is firmly attached.

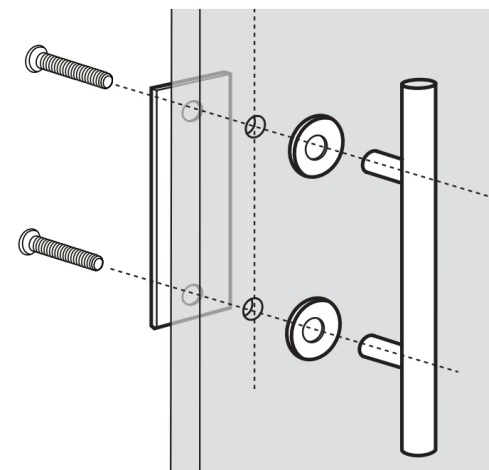


FIGURE 4

Step 5: Install Mounting Rollers

- Before installing the straps and rollers, choose your door's opening direction. This instruction will be based on the door opens to the right. For door opens to the right, you can just follow the instruction with an opposite manner when you position the track, and the rest would be the same.

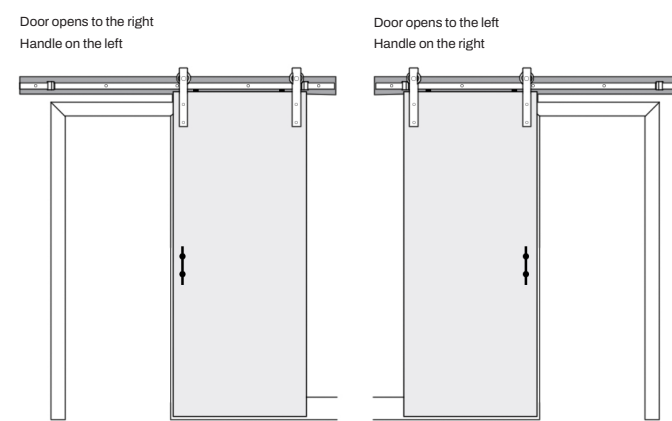


FIGURE 5

- Align the straps with the pre-drilled holes and position the rollers accordingly. Following the arrangement in the figures below. Use the provided bolts to attach the straps and rollers to the door. Tighten the bolts using a 16mm and 17mm wrench, ensuring a secure fit.

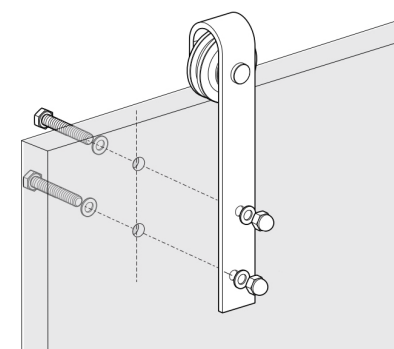


FIGURE 6

Step 6: Install Anti-Jump Blocks

- Place each anti-jump block at least 1" (25mm) away from the edge of the straps. Drill the hole for each anti-jump block slightly offset from the center of the door. This allows the block to be rotated out of the way when hanging the door on the track.

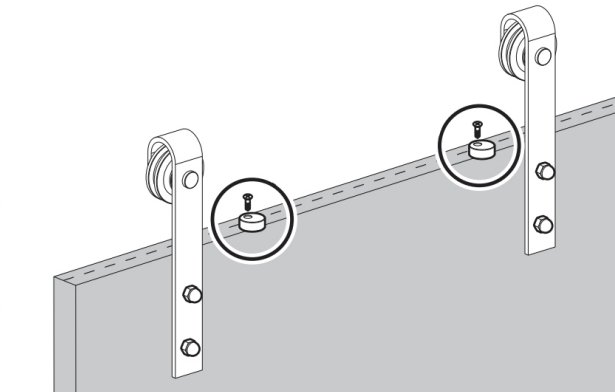


FIGURE 7

Step 7: Track installation

- IMPORTANT:** Please follow 7.1-7.2 for concrete wall or 7.3-7.5 for drywall

Step 7.1: Prepare for Track Installation (concrete wall)

- Using a ladder, tape measure, and speed square, measure up from the floor, adding 1-3/4" (44mm) to the door height. This will give you the center line position of the track. Mark this position with a pencil. Also ensure a gap of 3/8" - 1/2" (9.5mm-12.7mm) at the bottom.
- Measure 3" (76mm) over from the edge of the opening. Mark this position with a pencil (see FIGURE 8).

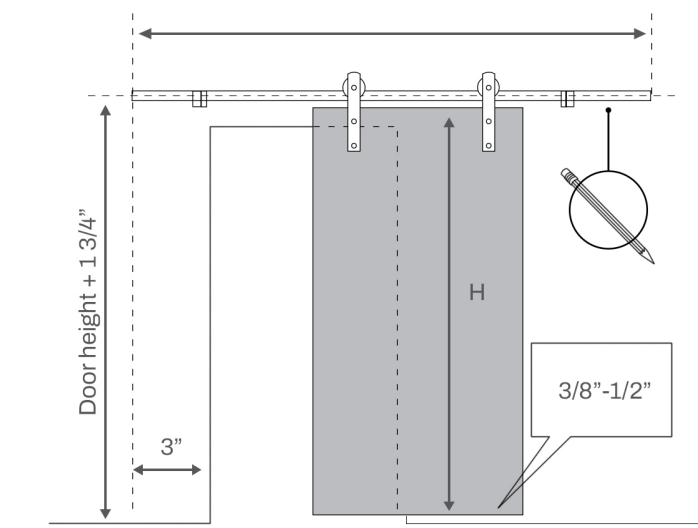


FIGURE 8

Step 7.2: Position and Mark Track Mounting Holes (concrete wall)

- Place the track in position using the marks made in the previous step, ensure the track is level. Using the track as a template, mark the mounting hole locations with a pencil (see FIGURE 9).
- Pre-drill the concrete at the marked locations using a 3/8" (9.5mm) masonry drill bit.
- NOTE: Before mounting track, slide both stoppers onto the end of the track inside the first hole.
- Install the anchors into the holes using a hammer (see FIGURE 10). Gather the bolts, washers, and spacers and install the track following the instructions in FIGURE 10.

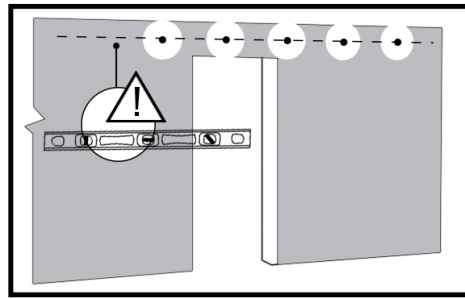


FIGURE 9

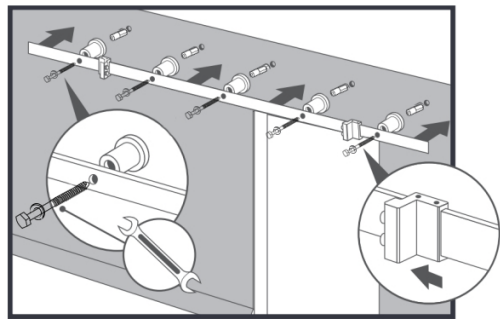


FIGURE 10

10

Step 7.3: Prepare for Track Installation on Drywall or Plaster (drywall)

- Note: Before mounting the track, a wood board must be secured into the stud for the drywall. Header Board must be solid wood and measure at least the full length of the track or longer.
- Using a ladder, tape measure, and speed square, measure up from the floor by adding 1-3/4" (44mm) to the door height. This will give you the center line position of the track, mark this position with a pencil.
- Measure 3" (76mm) over from the edge of the opening and mark this position with a pencil (see FIGURE 11).
- Ensure the mounting board shares the same center line as the track.

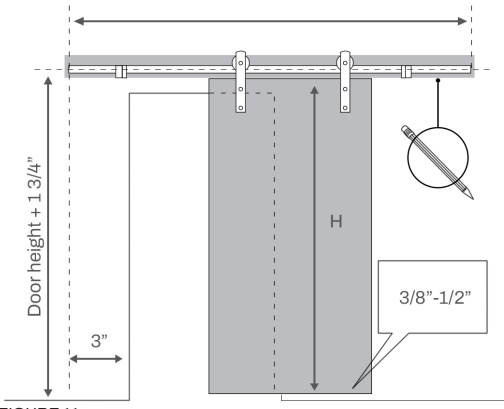


FIGURE 11

- Place the mounting board on a flat surface. Center the track on the mounting board, ensuring the track is straight and aligned properly. Using a pencil, mark the locations of the track mounting holes onto the board (see FIGURE 12).

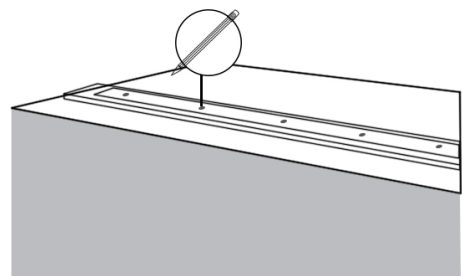


FIGURE 12

11

Step 7.4: Install the Mounting Board (not supplied) on Drywall (drywall)

- Place the mounting board on the wall, ensuring it is level. Align the board with the marked stud locations.
- Using a 1/8" (3.2mm) drill bit, pre-drill holes through the mounting board and into the studs. Ensure these holes do not interfere with the track mounting holes (see FIGURE 13). Secure the mounting board to the studs with #10 x 2-1/2" (64mm) screws, using two screws per stud location.

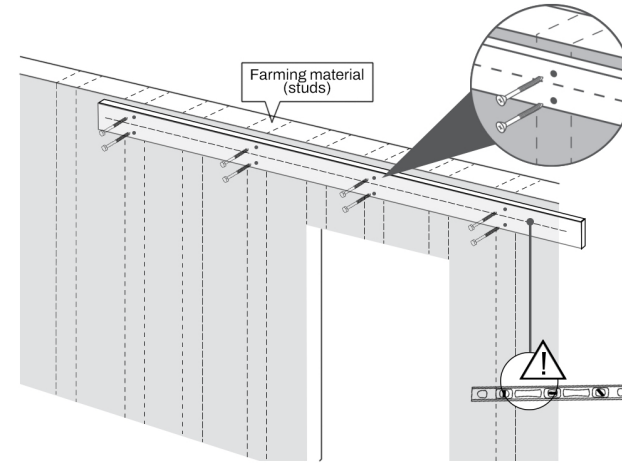


FIGURE 13

12

Step 7.5: Install the track

- Using a 7/32" (5.6mm) diameter drill bit, drill pilot holes for track mounting lag bolts at the marked locations from step 7.3 on the board (see FIGURE 14).

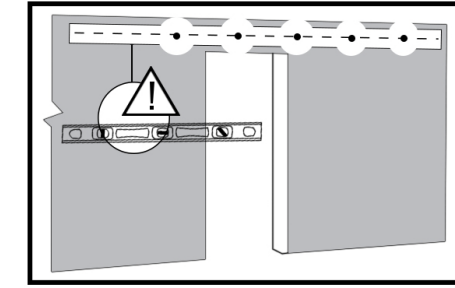


FIGURE 14

- NOTE: Before mounting track, slide both stoppers onto the end of the track inside the first hole.
- Gather the lag bolts, washers, spacers and install the track using 13mm wrench following the instructions in FIGURE 15.

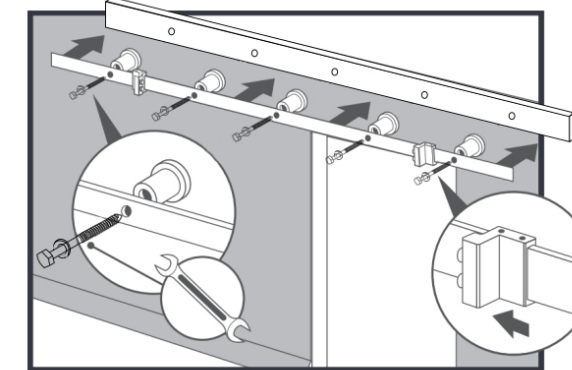


FIGURE 15

13

Step 8: Hang and Adjust the Door

- Place the assembled door with rollers onto the track. Rotate the anti-jump blocks to secure the door in place.

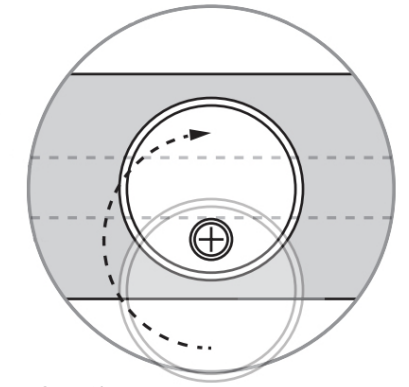


FIGURE 16

- Use the Allen wrench included with the stoppers to tighten the set screws, securing the stoppers in place.
- Slide the door back and forth along the track to check how well it covers the opening. Then adjust the stoppers as needed to ensure the door stops at the desired positions.
- If less travel is required, move the stoppers inside the end mounting bolts:
 1. Remove the end mounting bolts and spacers.
 2. Slide the stopper to the new location.
 3. Reinstall the bolt and spacer to secure the stopper in its new position.

14

Step 9.1: Install the Floor-Mount Door Guide

- Ensure the door is hanging straight and slide it side to side. Position the floor-mount door guide inside the groove at the bottom of the door.
- Once properly placed, mark the location of the guide on the floor. Attach the guide to the floor using the supplied screws. If needed, use the supplied anchors by drilling 1/4" (6.4mm) diameter holes for additional support (see FIGURE 12).
- Adjust as Necessary:
To fasten the guide, you may need to remove the door or slide it out of the way by loosening one of the stoppers.

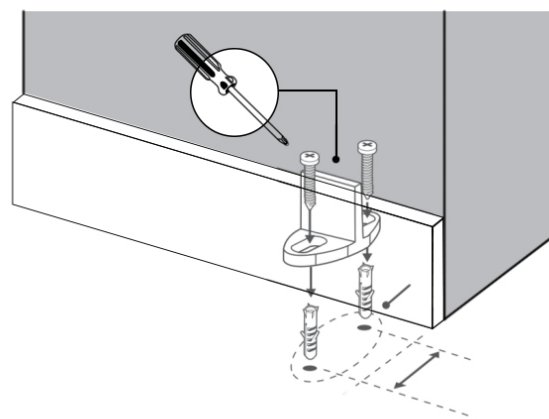


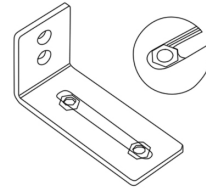
FIGURE 19

15

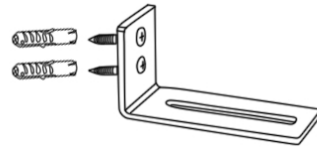
Step 9.2: Install the Wall-Mount Door Guide with roller (Optional)

- For easier installation, you can disassemble the roller first. The components of this door guide can be adjusted freely depending on your preferences.

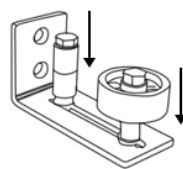
1. Place the hexagon nuts under the track.



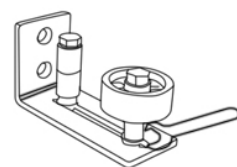
2. Drill holes on the wall, screw the anchors in, then attach the door guide using screws provided.



3. Slightly screw the pulley into the hexagon screw, adjust them to the ideal positions.



4. Tighten the nuts with the wrench provided.



16

Step 10: Final Checks

1. Check Stoppers:
 - Ensure the stoppers are properly located at both ends of the track.
 - Tighten the set screws to secure the stoppers in place.
2. Check Anti-Jump Blocks:
 - Verify that the anti-jump blocks are rotated correctly to secure the door.
 - Tighten the screws on the anti-jump blocks to ensure they are securely fastened.

17