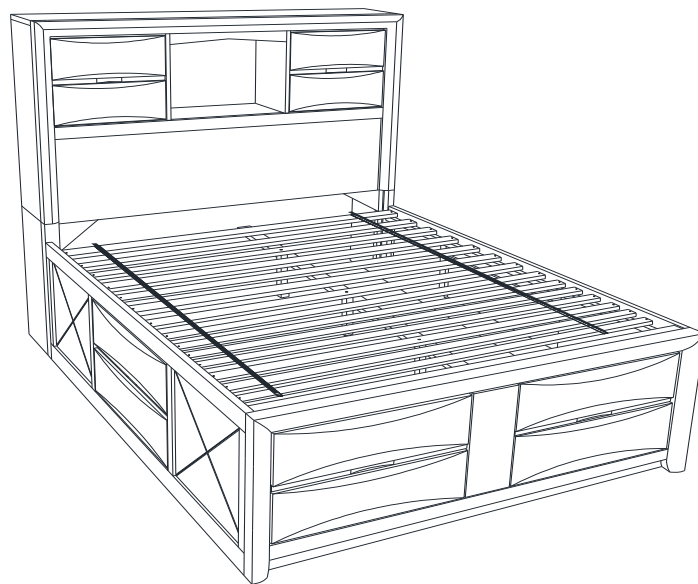


ASSEMBLY INSTRUCTIONS



Fine Furniture for every stage of life

Eastern King Storage Bed

REVISION 0 : 07/11/2012
REVISION 1 : 03/19/2013
REVISION 2 : 01/09/2017
REVISION 3 : 12/16/2020

ITEM: (B1-B3)

ASSEMBLY INSTRUCTIONS

ASSEMBLY TIPS:

1. Remove hardware from box and sort by size.
2. Please check to see that all hardware and parts are present prior to start of assembly.
3. Please follow attached instructions in the same sequence as numbered to assure fast & easy assembly.



WARNING!

1. Don't attempt to repair or modify parts that are broken or defective. Please contact the store immediately.
2. This product is for home use only and not intended for commercial establishments.

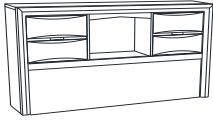
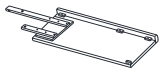
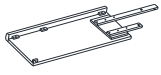
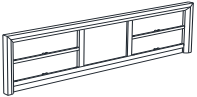
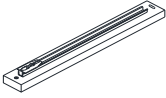
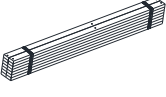
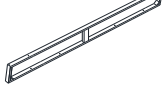

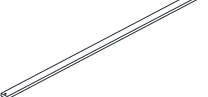
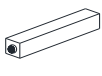


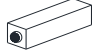

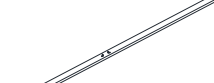
ASSEMBLY TIME

45 MINUTES

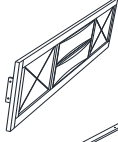
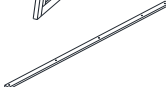
PARTS IDENTIFICATION

B1 (BOX 1)

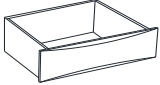
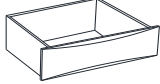

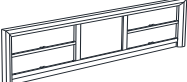
| | | | |
|---|-------------------------------|---|-------|
| A | HEADBOARD PANEL |  | 1PC |
| B | RIGHT HEADBOARD LEG |  | 1PC |
| C | LEFT HEADBOARD LEG |  | 1PC |
| D | FOOTBOARD |  | 1PC |
| E | DRAWER GLIDE WITH RAIL |  | 4PCS |
| F | ROLL SLAT (14PCS) |  | 1 SET |
| G | DRAWER FRAME |  | 1PC |
| H | CONCEAL PANEL |  | 2PCS |
| I | TRESTLE BAR |  | 2PCS |
| J | BED SLAT SUPPORT WITH LEVELER |  | 3PCS |

| | | | |
|---|-----------------------------------|---|------|
| K | DRAWER FRAME SUPPORT WITH LEVELER |  | 1PC |
| L | TRIANGLE SUPPORT PANEL |  | 2PCS |
| M | BOTTOM CROSS RAIL |  | 3PCS |

B2 (BOX 2)

| | | | |
|---|-------------|---|------|
| N | BED RAIL |  | 2PCS |
| O | CENTER RAIL |  | 1PC |

B3 (BOX 3)

| | | | |
|----|---|---|------|
| P | TOP DRAWER |  | 2PCS |
| Q | BOTTOM DRAWER |  | 2PCS |
| HB | (B1) *FROM BOX 1 HEADBOARD COMPLETE |  | 1PC |
| D | (B2) *FROM BOX 1 FOOTBOARD |  | 1PC |

ITEM:(B1-B3)

ASSEMBLY INSTRUCTIONS

ASSEMBLY TIPS:

1. Remove hardware from box and sort by size.
2. Please check to see that all hardware and parts are present prior to start of assembly.
3. Please follow attached instructions in the same sequence as numbered to assure fast & easy assembly.










WARNING!

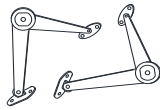

1. Don't attempt to repair or modify parts that are broken or defective. Please contact the store immediately.
2. This product is for home use only and not intended for commercial establishments.

HARDWARE IDENTIFICATION

Z-B1 (BOX 1) - HARDWARE PACK IS LOCATED IN (B1)

| | | | |
|---|--|---|--------------|
| 1 | FLAT HEAD SCREW (M4 x 32mm - RBW) |  | 41PCS |
| 2 | PAN HEAD SCREW (M3.5 x 16mm - BLK) |  | 24PCS |
| 3 | SHORT BOLT (M6 x 35mm - BLK) |  | 19PCS |
| 4 | LONG BOLT (M6 x 50mm - BLK) |  | 5PCS |
| 5 | FLAT WASHER (1/4" ID x 13mm - BLK) |  | 21PCS |
| 6 | LOCK WASHER (1/4" - BLK) |  | 21PCS |
| 7 | ALLEN WRENCH (M4 x 110mm - BLK) |  | 1PC |

Z-B2 (BOX 2) - HARDWARE PACK IS LOCATED IN (B2)

| | | | |
|---|--|---|--------------|
| 8 | HINGE |  | 2SETS |
| 9 | PAN HEAD SCREW (M3.5 x 16mm - BLK) |  | 16PCS |

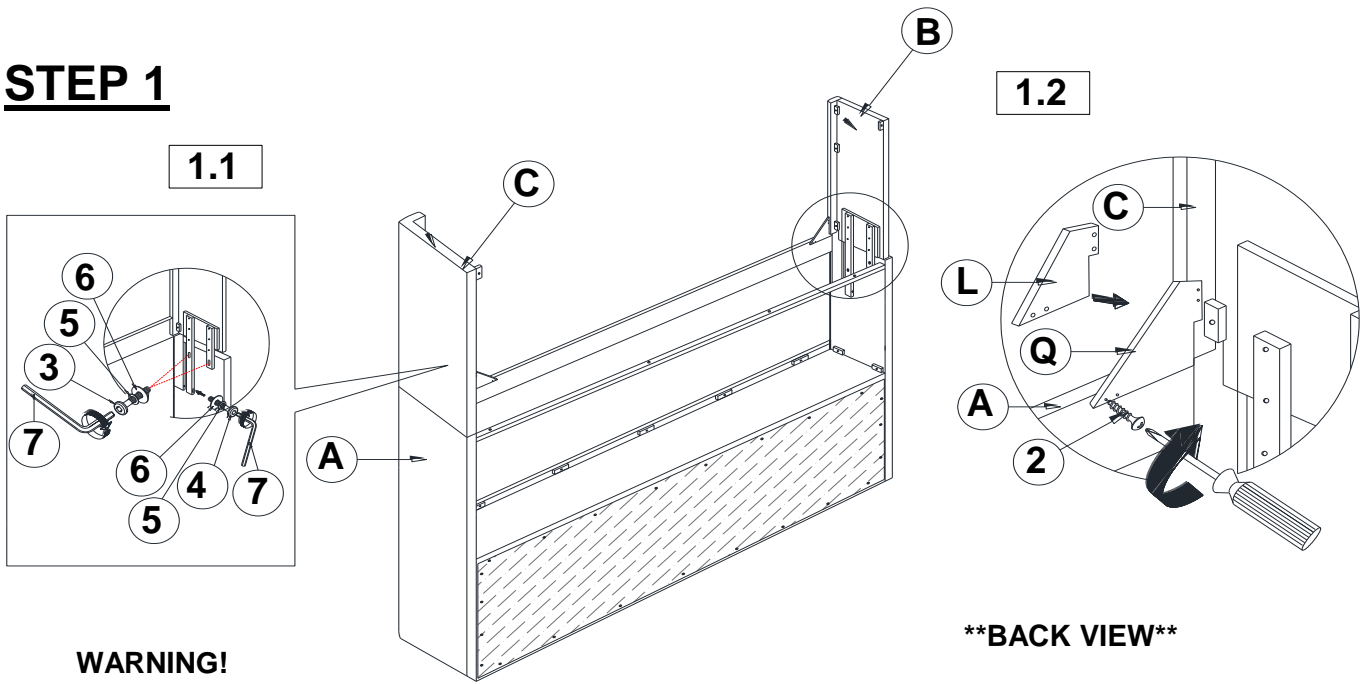
NOTE:

Phillips head screw driver is required in the assembly process; however, manufacturer does not provide this item.

ITEM:(B1-B3)

ASSEMBLY INSTRUCTIONS

STEP 1

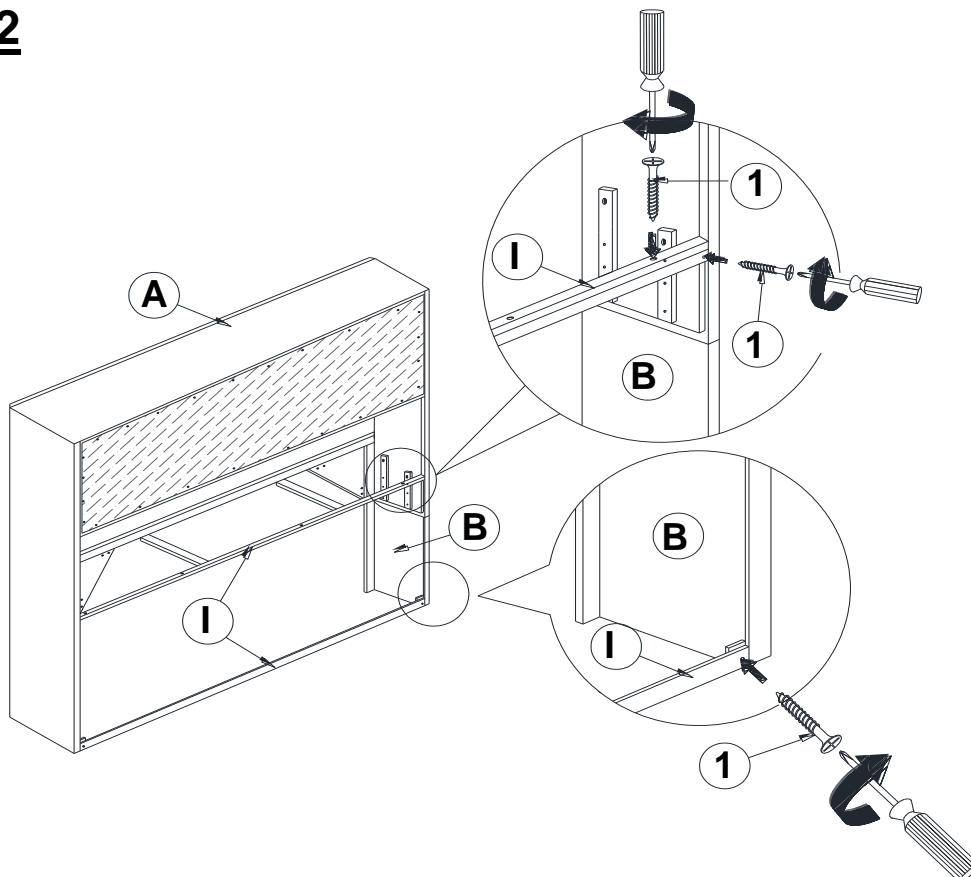


WARNING!

Install the bolts by following the arrows shown. After all bolts been installed inside the hole, please tighten them fully.

Note : Please put item on soft surface.
Note : Please take note of the marking sticker (L&R) on the leg.

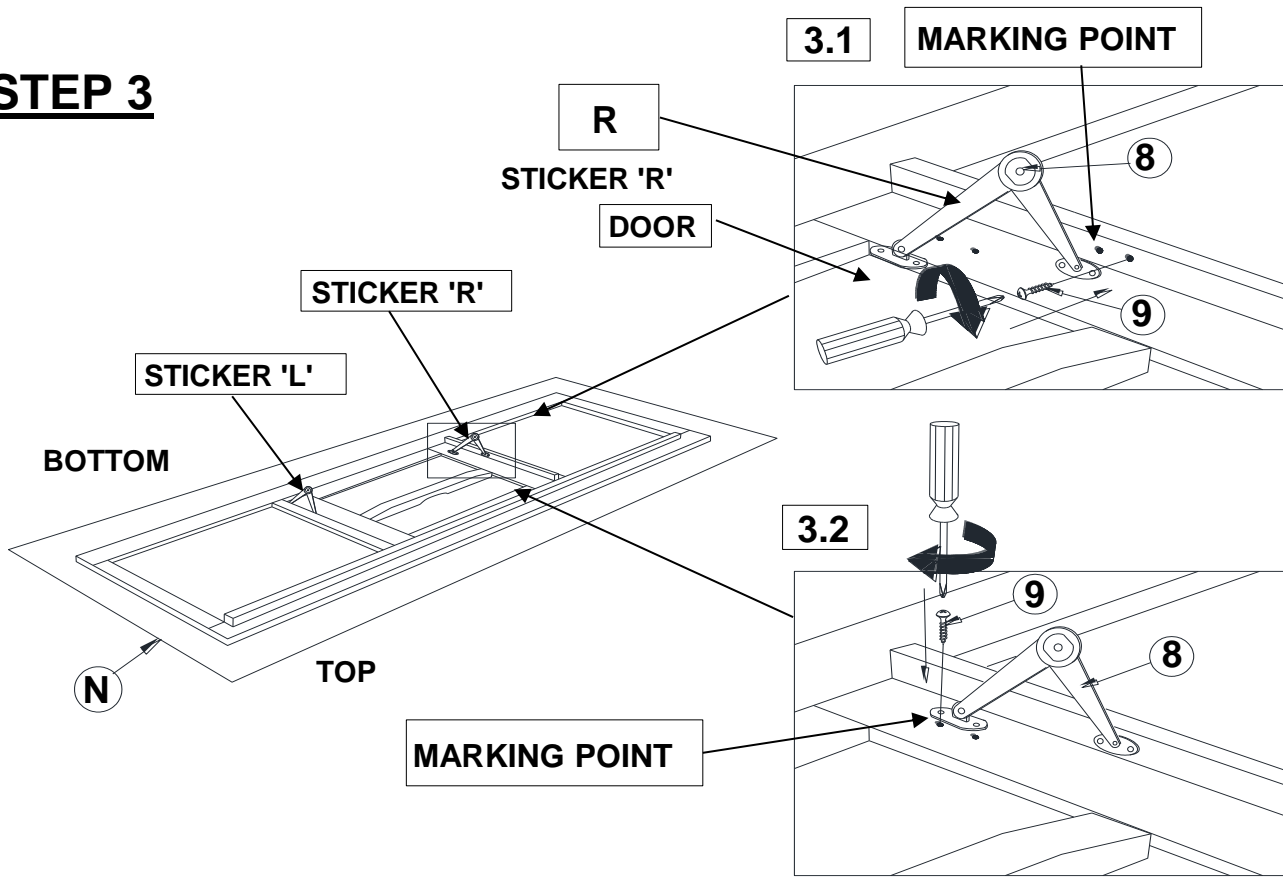
STEP 2



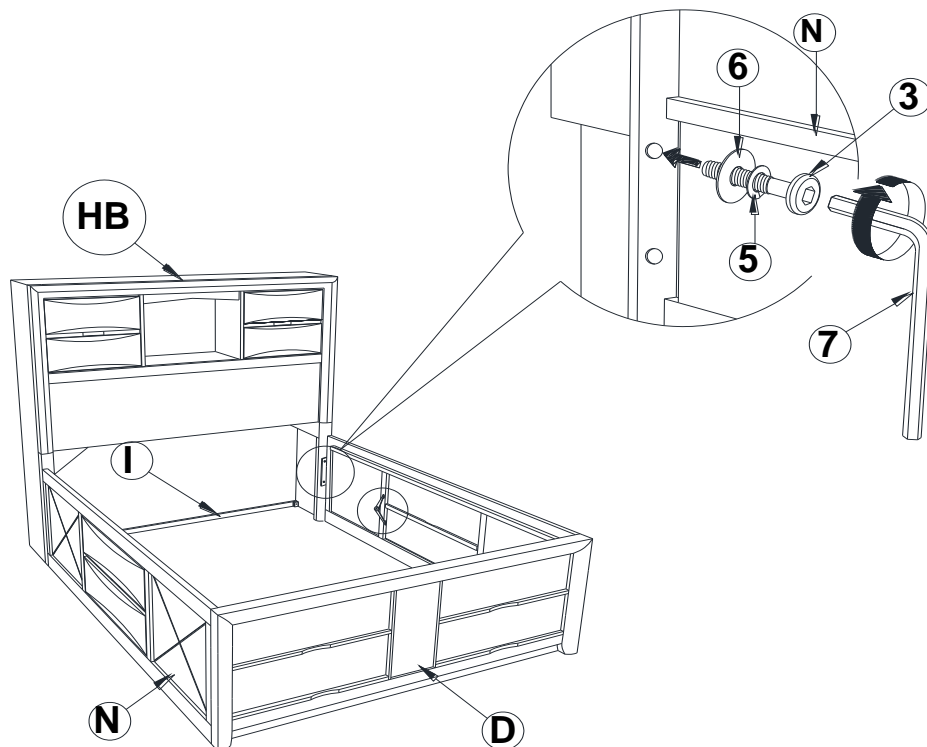
ITEM:(B1-B3)

ASSEMBLY INSTRUCTIONS

STEP 3



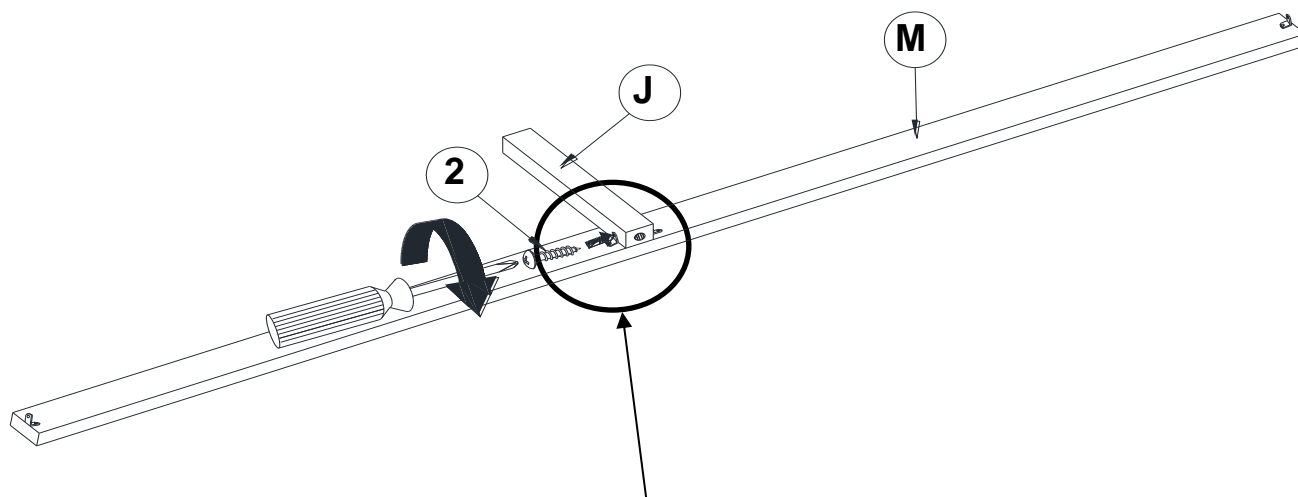
STEP 4



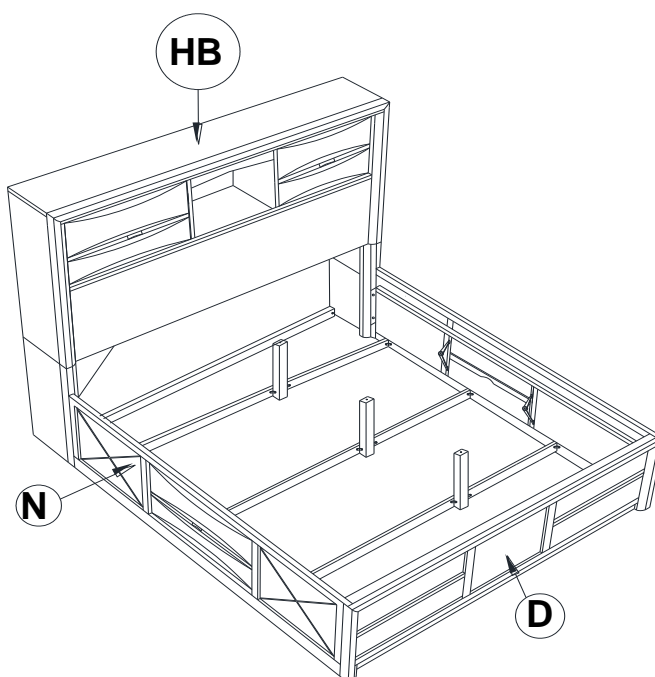
ITEM:(B1-B3)

ASSEMBLY INSTRUCTIONS

STEP 5



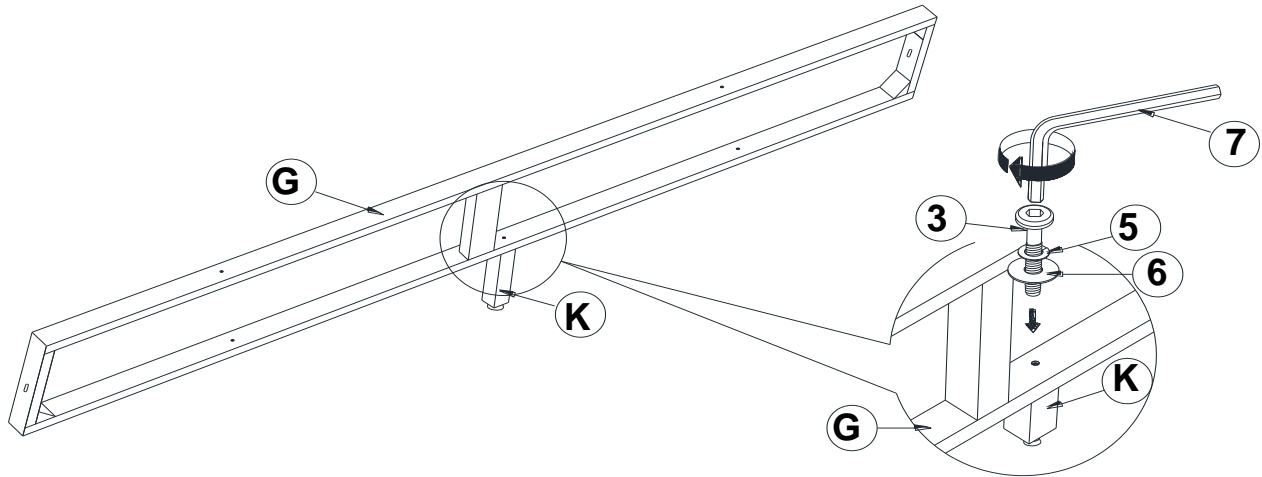
REMARK: MAKE SURE THE BOTTOM SURFACE OF THE BED SLAT SUPPORT (J) IS ALIGNED WITH THE EDGE OF THE BOTTOM CROSS RAIL (M)



ITEM: **(B1-B3)**

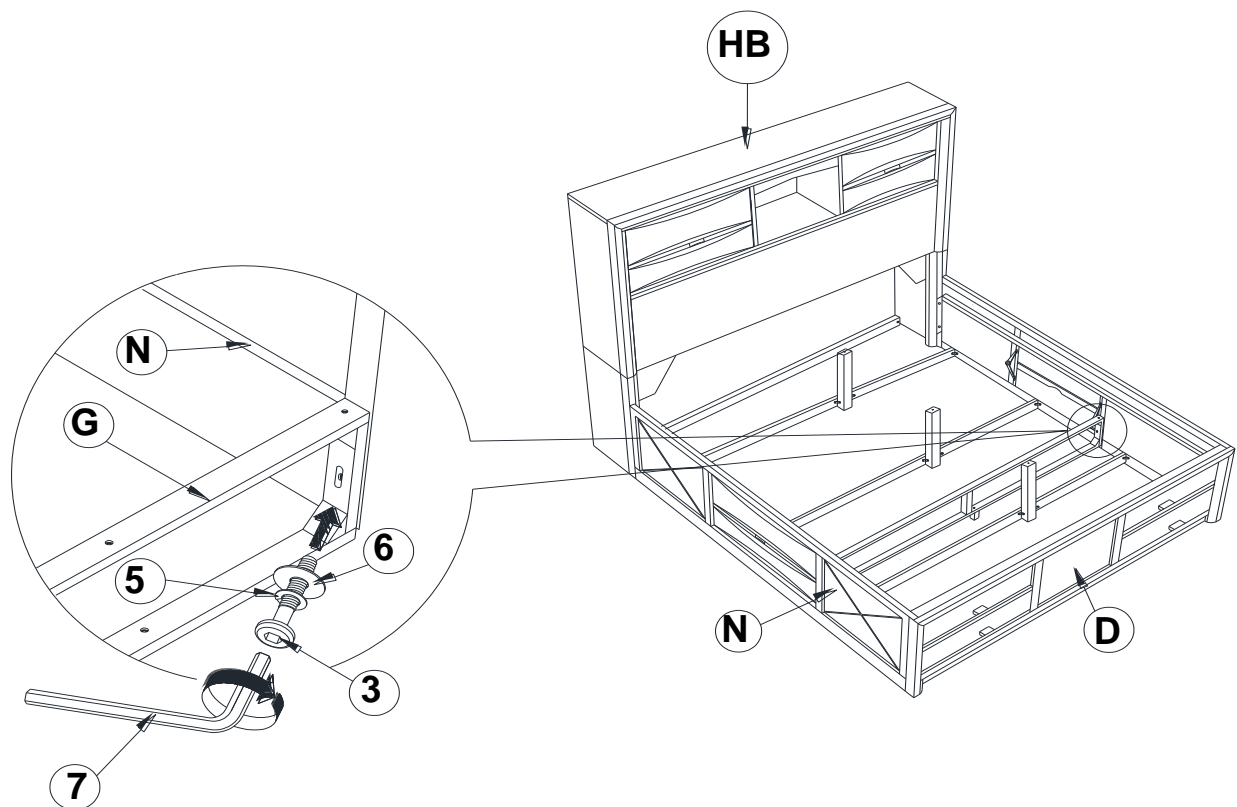
ASSEMBLY INSTRUCTIONS

STEP 6



STEP 7

REMARK: DO NOT FULLY TIGHTEN THE BOLT AT THIS STEP

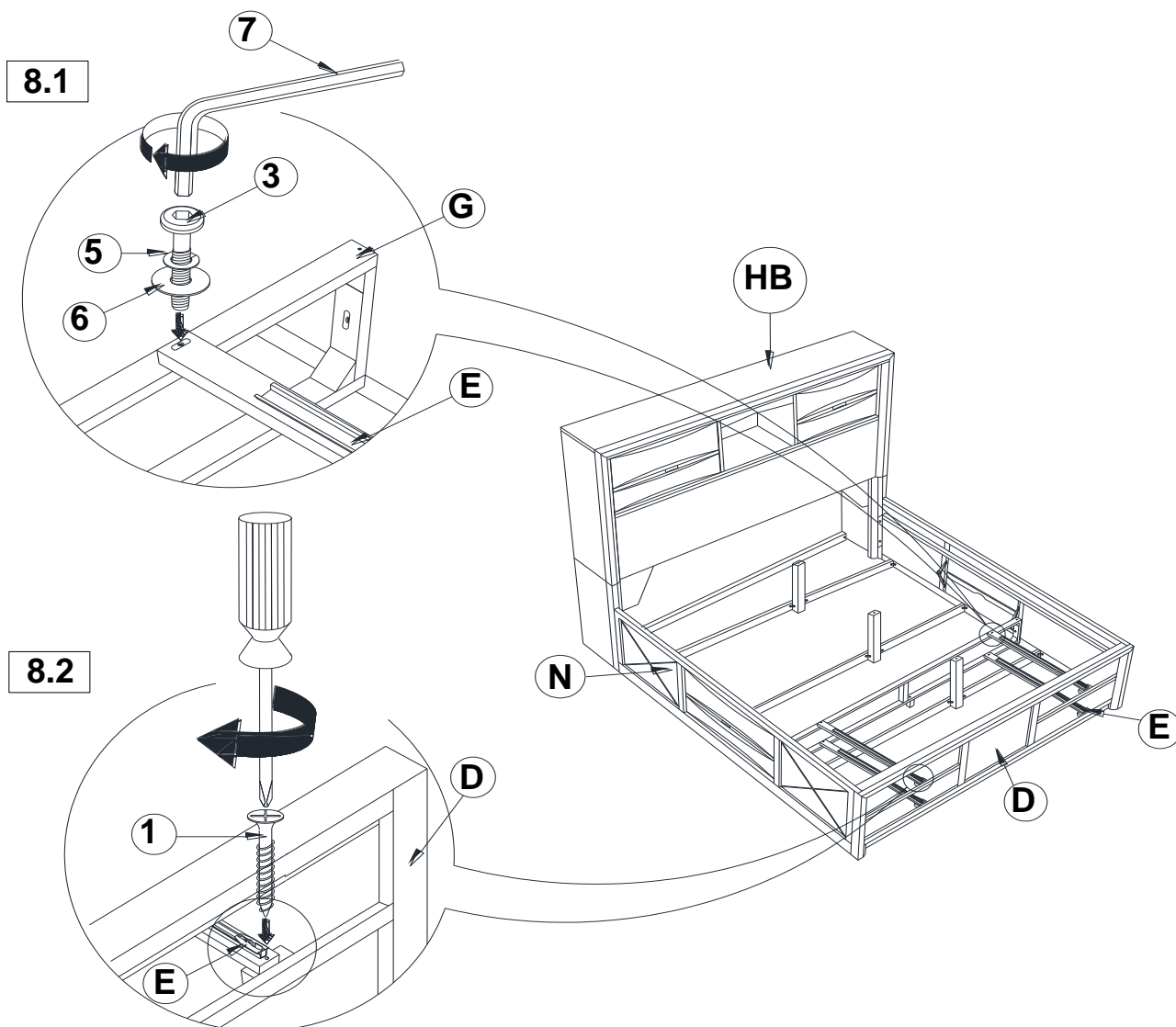


ITEM:(B1-B3)

ASSEMBLY INSTRUCTIONS

STEP 8

REMARK: DO NOT FULLY TIGHTEN THE BOLT AT THIS STEP



REMARK: MAKE SURE THE DRAWER GLIDE WITH RAIL (E) IS CENTER AGAINST THE CUT OUT ON THE WOOD CLEAT AND ALSO TOUCHING IT BEFORE FASTEN USING SCREW (1).

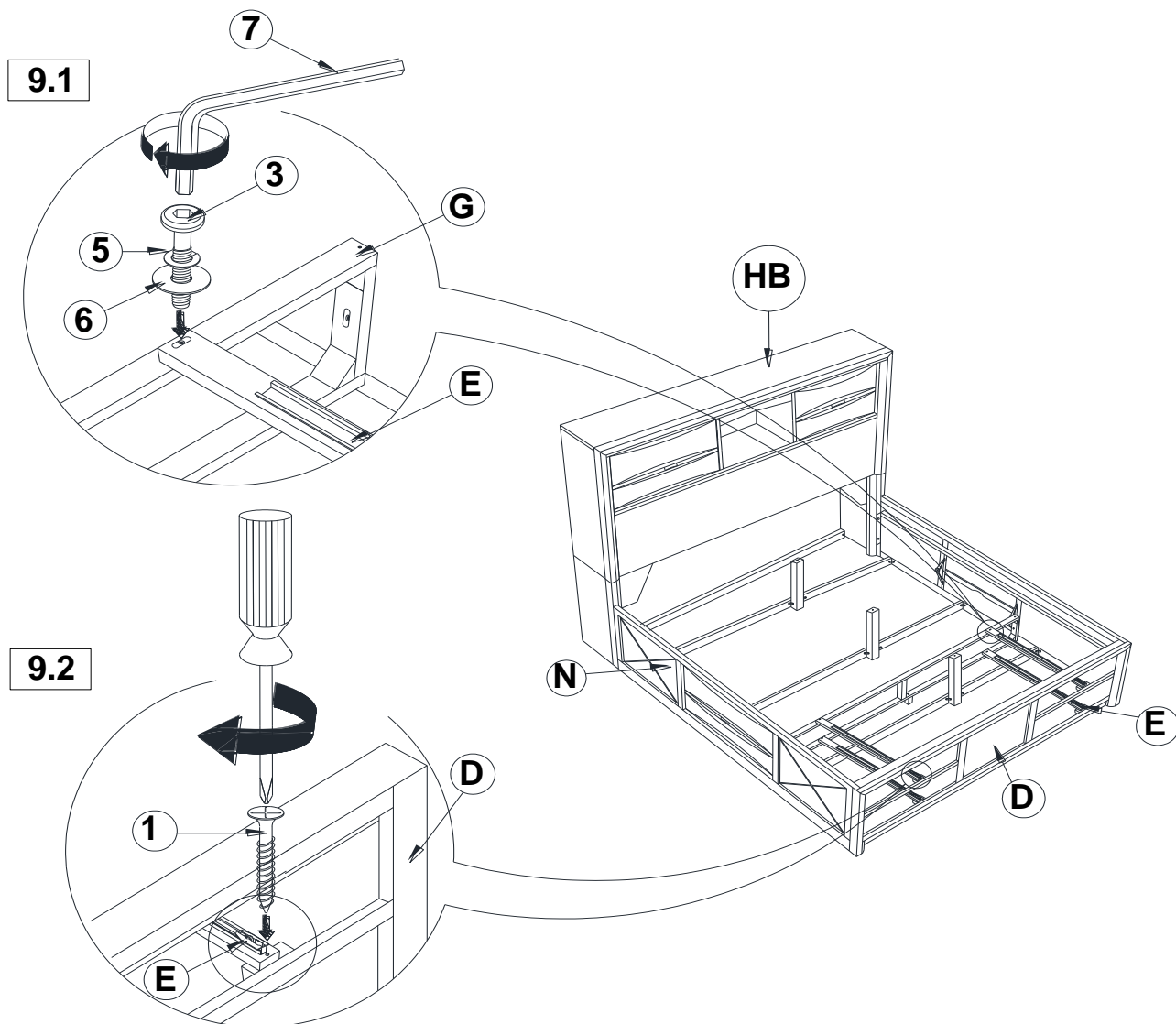


ITEM:(B1-B3)

ASSEMBLY INSTRUCTIONS

STEP 9

REMARK: DO NOT FULLY TIGHTEN THE BOLT AT THIS STEP



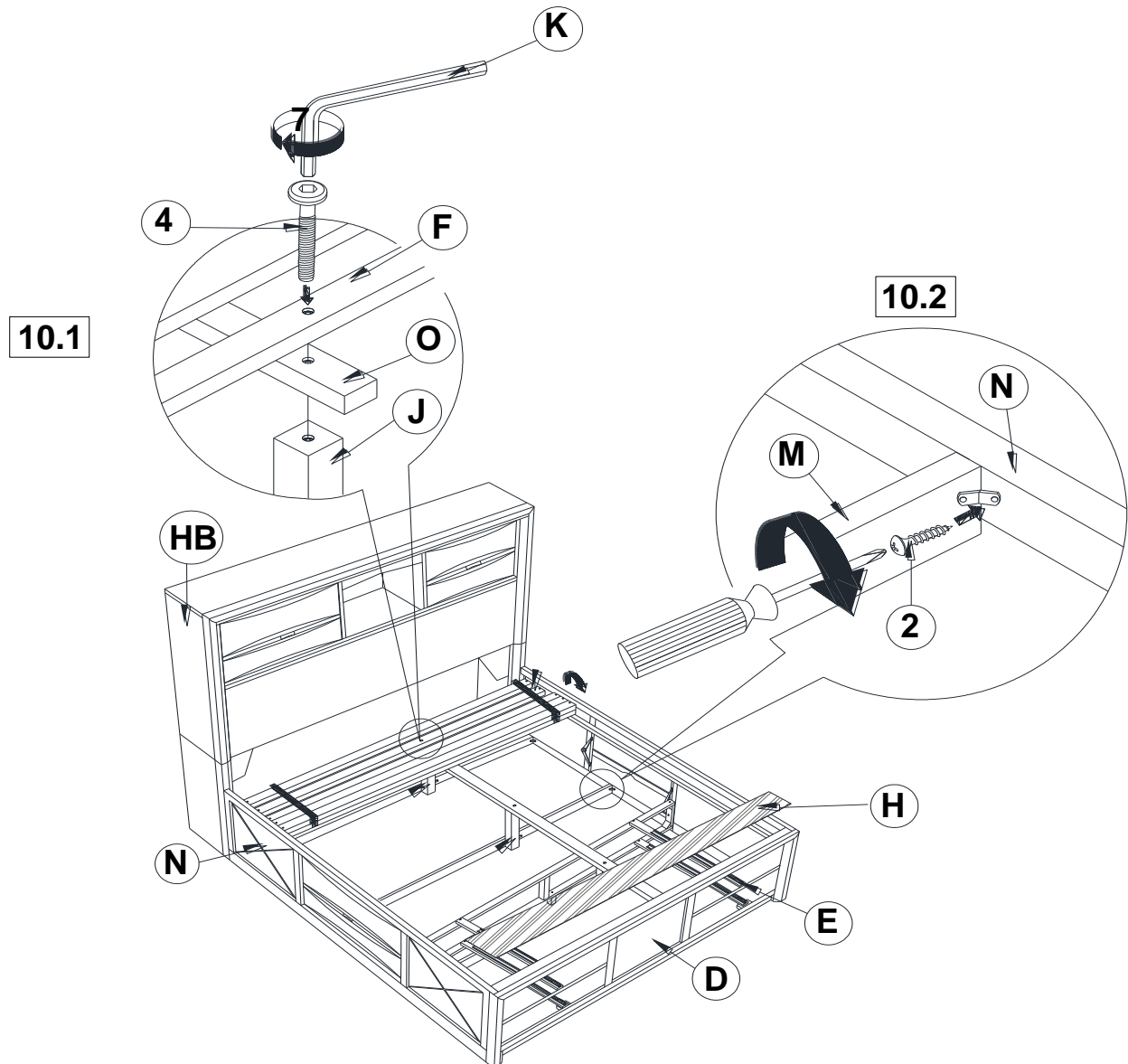
REMARK: MAKE SURE THE DRAWER GLIDE WITH RAIL (E) IS CENTER AGAINST THE CUT OUT ON THE WOOD CLEAT AND ALSO TOUCHING IT BEFORE FASTEN USING SCREW (1).

ITEM:(B1-B3)

ASSEMBLY INSTRUCTIONS

STEP 10

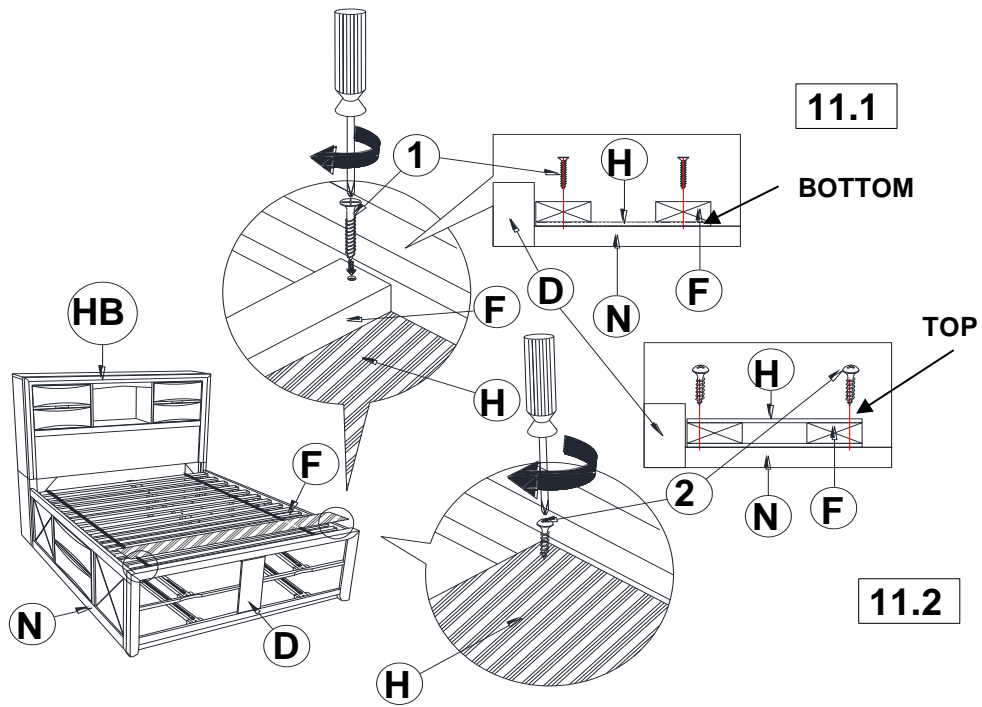
REMARK: DO NOT FULLY TIGHTEN THE BOLT AT THIS STEP



ITEM:(B1-B3)

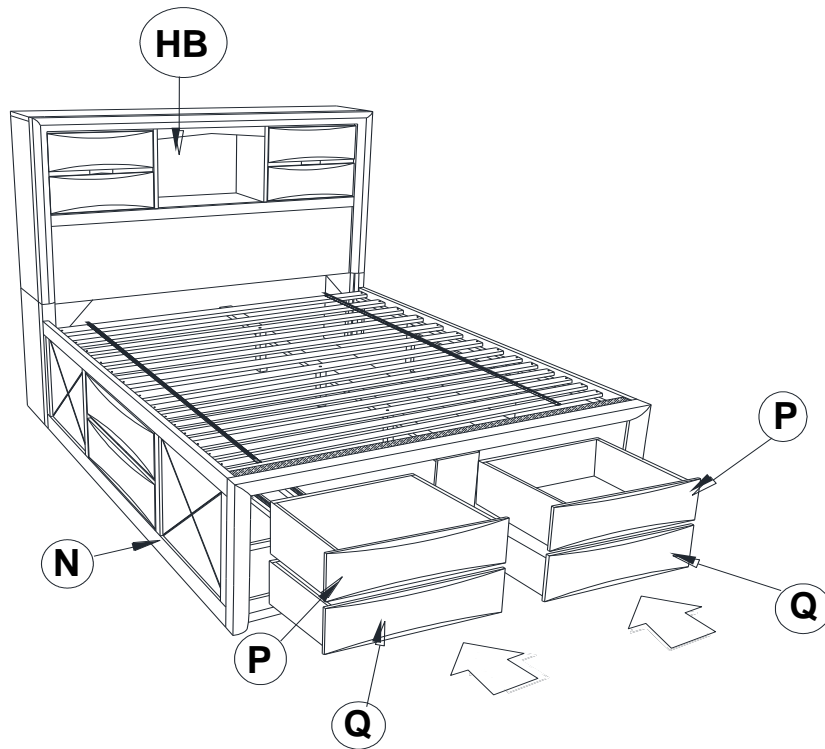
ASSEMBLY INSTRUCTIONS

STEP 11



REMARK: MAKE SURE ALIGN THE CONCEALED PANEL AT BOTTOM AND TOP OF LAST TWO SLAT AS DIAGRAM SHOWN.

STEP 12



REMARK: REFER TO THE "TOP" & "BOTTOM" LABEL ON DRAWER PRIOR TO START OF ASSEMBLY.

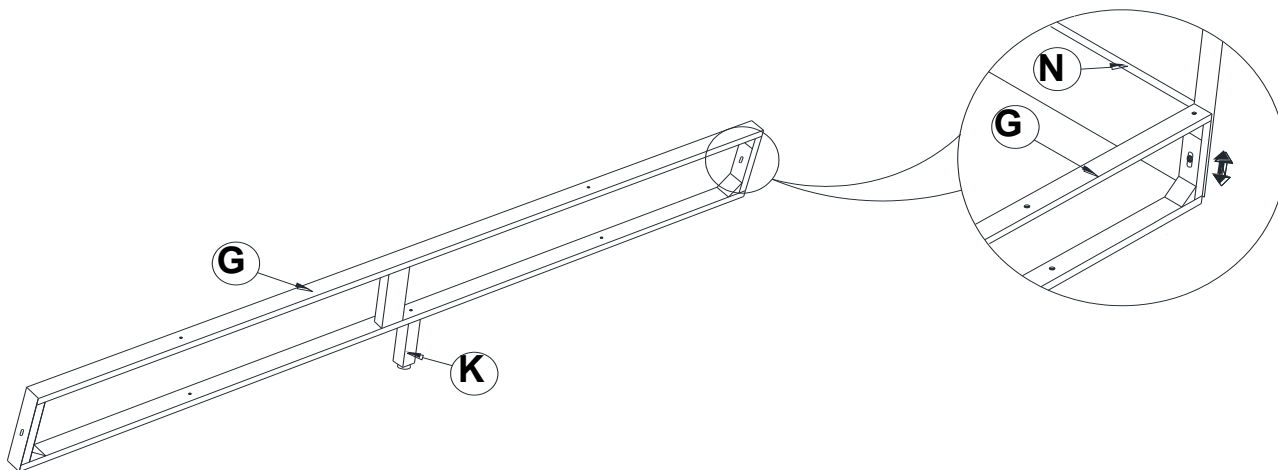
ITEM:(B1-B3)

ASSEMBLY INSTRUCTIONS

REMARK: IF THE DRAWER IS NOT ALIGNED, PLEASE DO THE BELOW ADJUSTMENT:

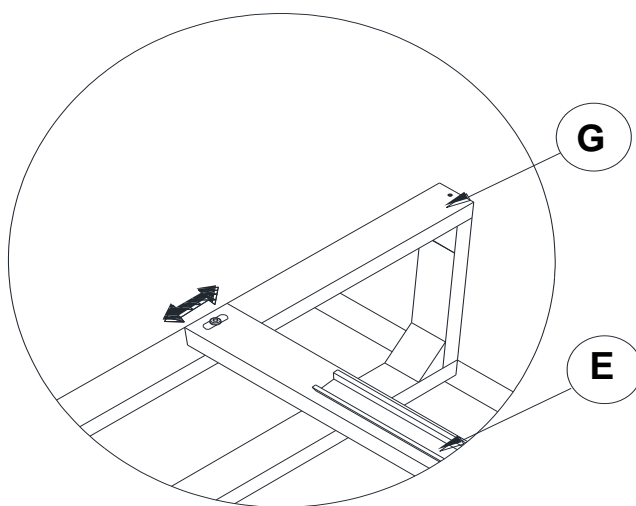
1) To align the drawer up or down

Action : Adjust the drawer frame (G) to up or down.



REMARK: 2) To align the drawer left or right.

Action : Adjust the drawer glide with rail (E) to left or right.



REMARK: AFTER COMPLETED THE DRAWER ALIGNMENT:

1) Adjust the leveler of drawer frame support (K) to touch the floor.

2) Fully tighten all the bolt from step 8, 9 &10.



