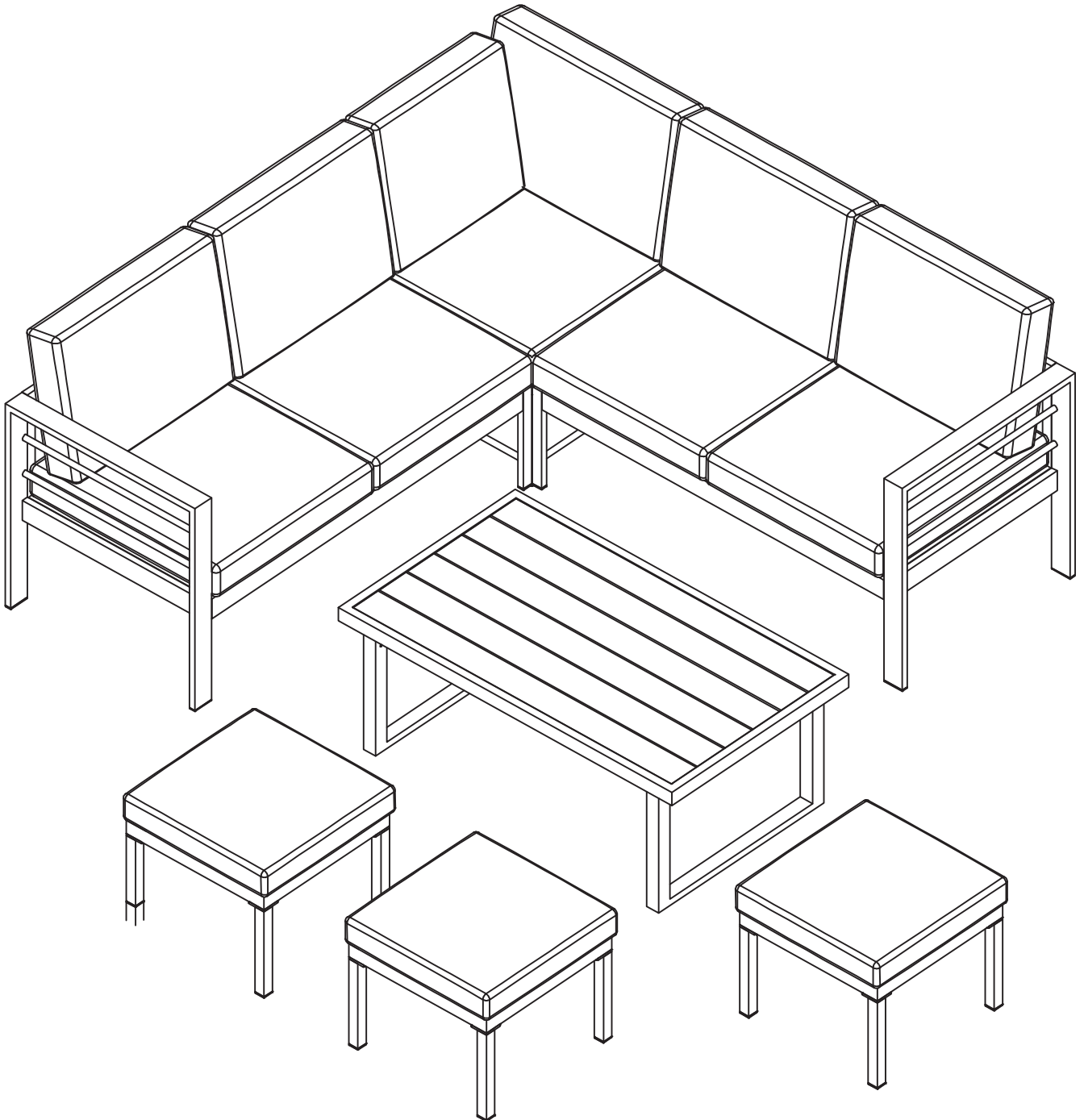


ASSEMBLY INSTRUCTIONS

7 Pieces Aluminum Patio Conversation Set

Thanks for choosing our product. Please kindly check parts listed below and read this manual carefully, then assemble them step by step. Please feel free to contact us for any questions.

Retain instructions for future reference.





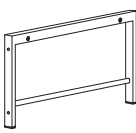
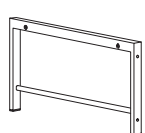
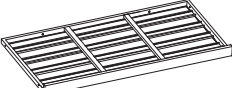
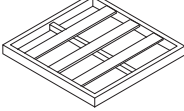
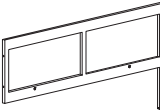
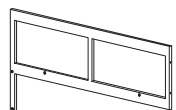
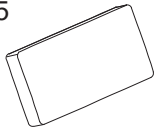
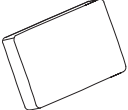
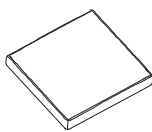
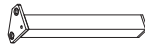
ATTENTION

1. The entire set is shipped in 2 packages. Due to the delivery process, they might arrive at different times. If you don't receive the remaining packages within 2 days after the first one arrives, please contact us. We will investigate the issue and get back to you within 24 hours.
2. Please be careful when unpacking with a knife to avoid unnecessary scratches on the product surface.
3. The seat cushions and backrests have been vacuum compressed. Please let them sit for a while after unpacking or pat them to restore their fullness.
4. We value your experience, so whenever you encounter any issues (whether it's related to delivery, assembly, usage, or post-purchase care, etc.), please contact us promptly. We offer a one-year warranty and lifelong customer service for our products.
5. Please keep your children away until the installation is complete. This product contains small parts that could pose a choking hazard if swallowed.

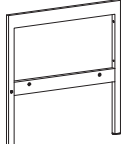
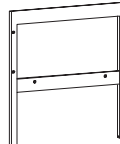
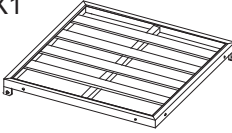
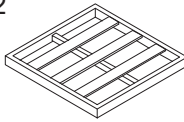
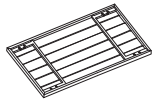
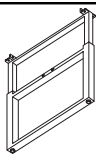

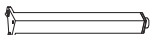
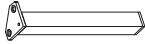
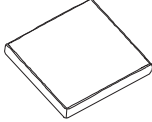

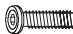




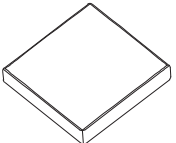
ABOUT ASSEMBLY

1. Prior to assembly, separate and count all parts and hardware and identify all the parts as listed are received.
2. Please read the instructions manual before installation and follow the steps carefully as shown in the diagrams.
3. Please do not fix screws tightly before all the screws are aligned.
Tighten all screws at last.
4. Please distinguish the type & quantity of screws in each step, as enlarged view shown for details.

Parts List A


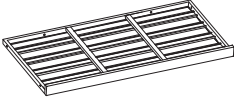
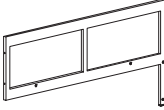



A X1  Right Armrest	A2 X1  Left Armrest	B X1  Foot Frame	B2 X1  Foot Frame
C X2  Seat Panel	C2 X1  Seat Panel	D X1  Backrest	D1 X1  Backrest
F X5  Back Cushion	F1 X1  Corner Sofa Back Cushion	Q X1  Ottoman Cushion	P X4  Ottoman Foot

Parts List B

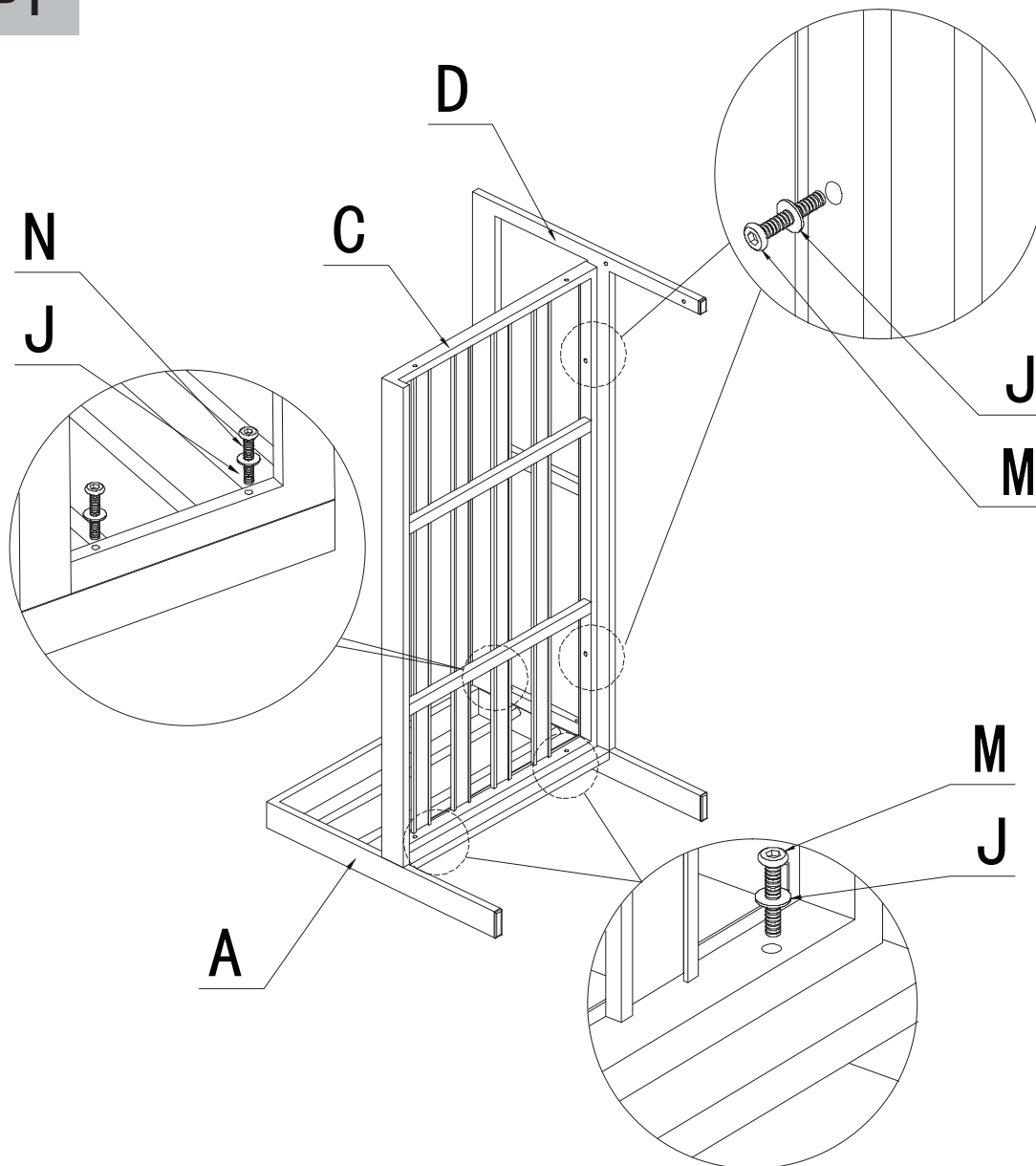
A1 X1  Backrest	B1 X1  Backrest	C1 X1  Seat Panel	C2 X2  Seat Panel
H X1  Table Top Panel	I X2  Foot Frame	R X1  Foot Support	P1 X1  Corner Sofa Foot
P X8  Ottoman Foot	Q X2  Ottoman Cushion	J X74  Washer	S X20  Screw M6*15
K X28  Screw M6*18	M X20  Screw M6*30	N X6  Screw M6*45	O X1  Allen Key
G X5  Seat Cushion			

Right Love Sofa

Parts Needed

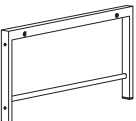


<p>A X1</p>  <p>Right Armrest</p>	<p>C X1</p>  <p>Seat Panel</p>	<p>D X1</p>  <p>Backrest</p>	<p>M X4</p>  <p>Screw M6*30</p>
<p>N X2</p>  <p>Screw M6*45</p>	<p>J X6</p>  <p>Washer</p>		

STEP 1

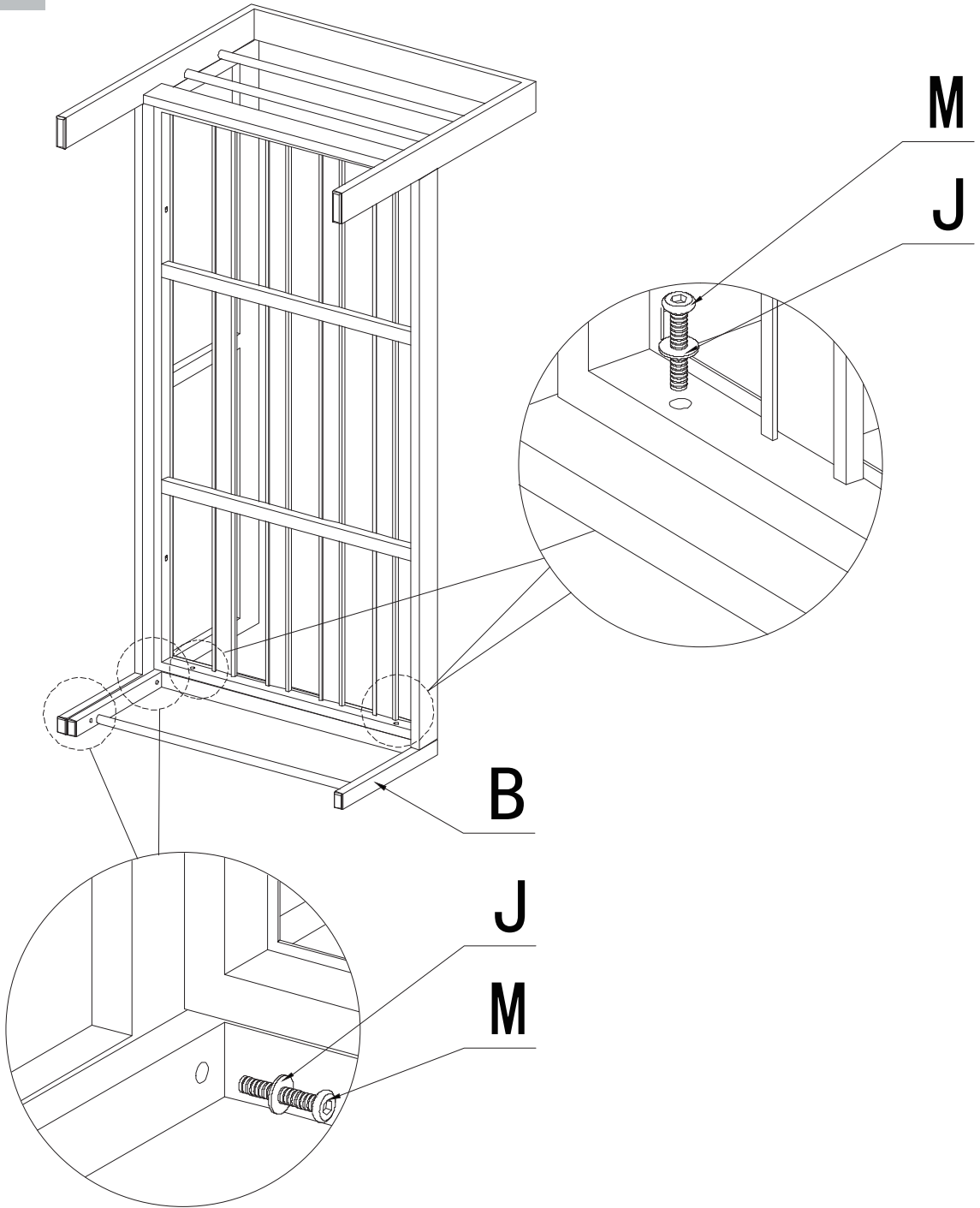


Assembly Guide

Parts Needed

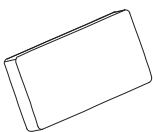
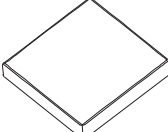
B X1  Foot Frame	J X4  Washer	M X4  Screw M6*30
--	--	--

STEP2



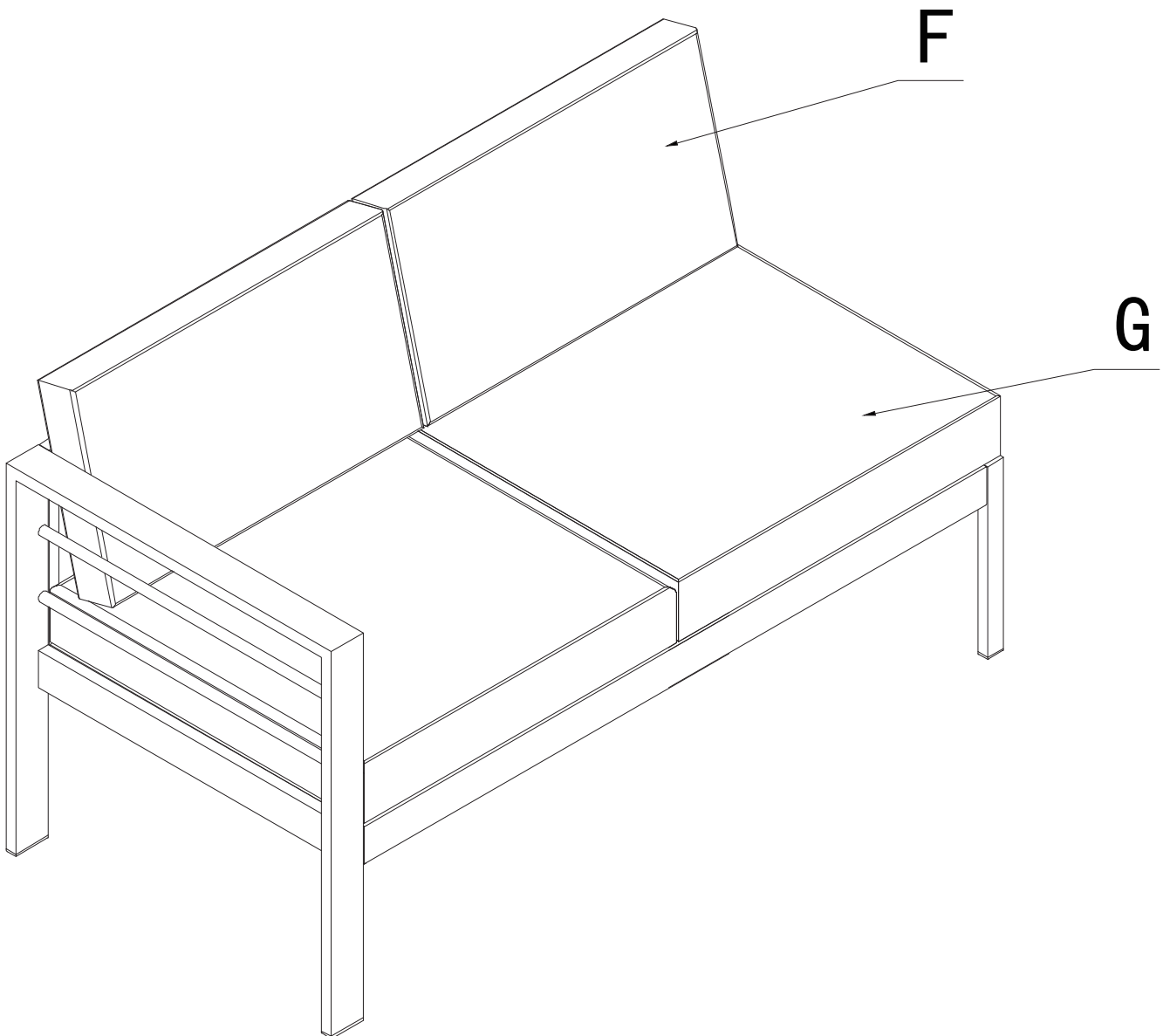
Assembly Guide

Parts Needed

F X2  Back Cushion	G X2  Seat Cushion
---	---


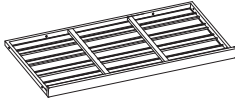
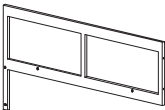



STEP3

Put on cushions

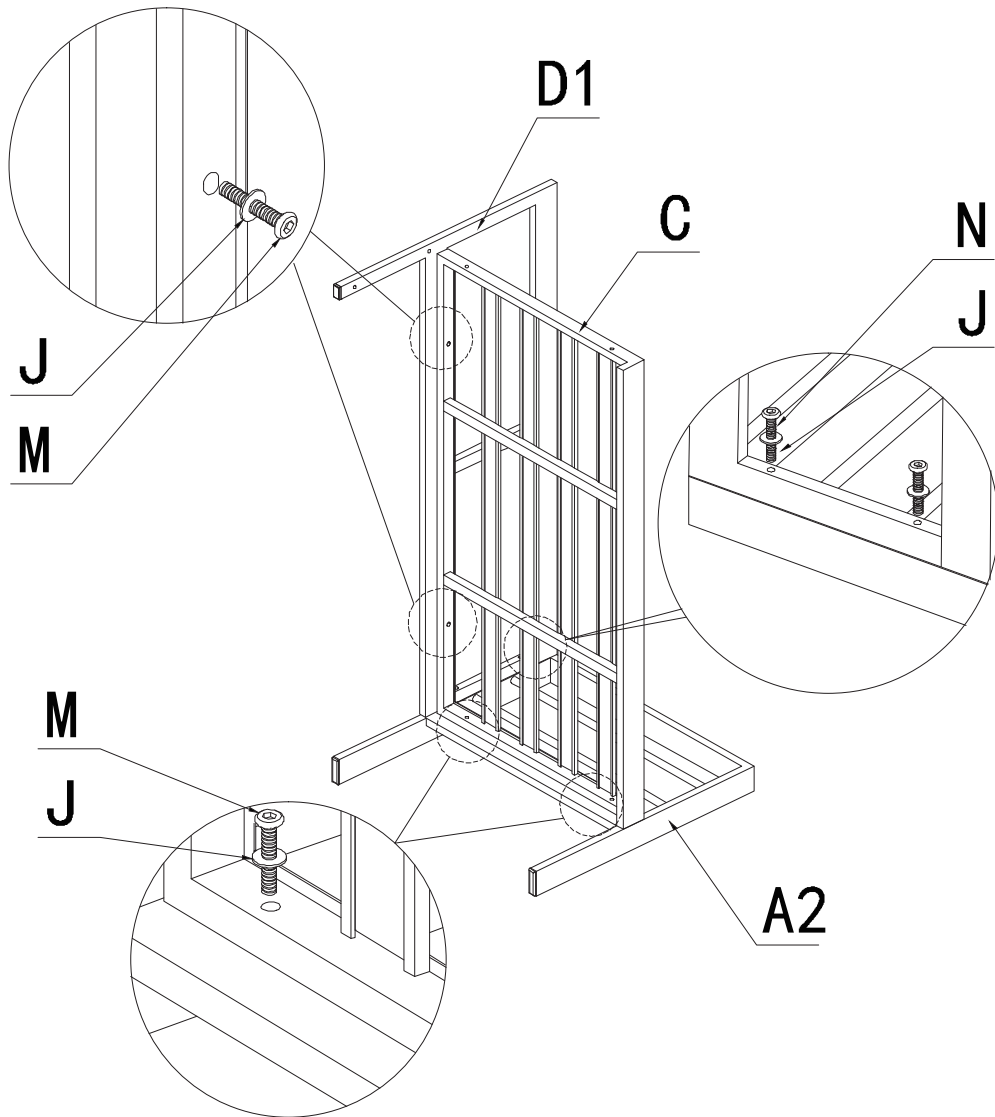


Left Love Sofa

Parts Needed

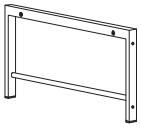


A2 X1  Left Armrest	C X1  Seat Panel	D1 X1  Backrest	M X4  Screw M6*30
N X2  Screw M6*45	J X6  Washer		

STEP 1

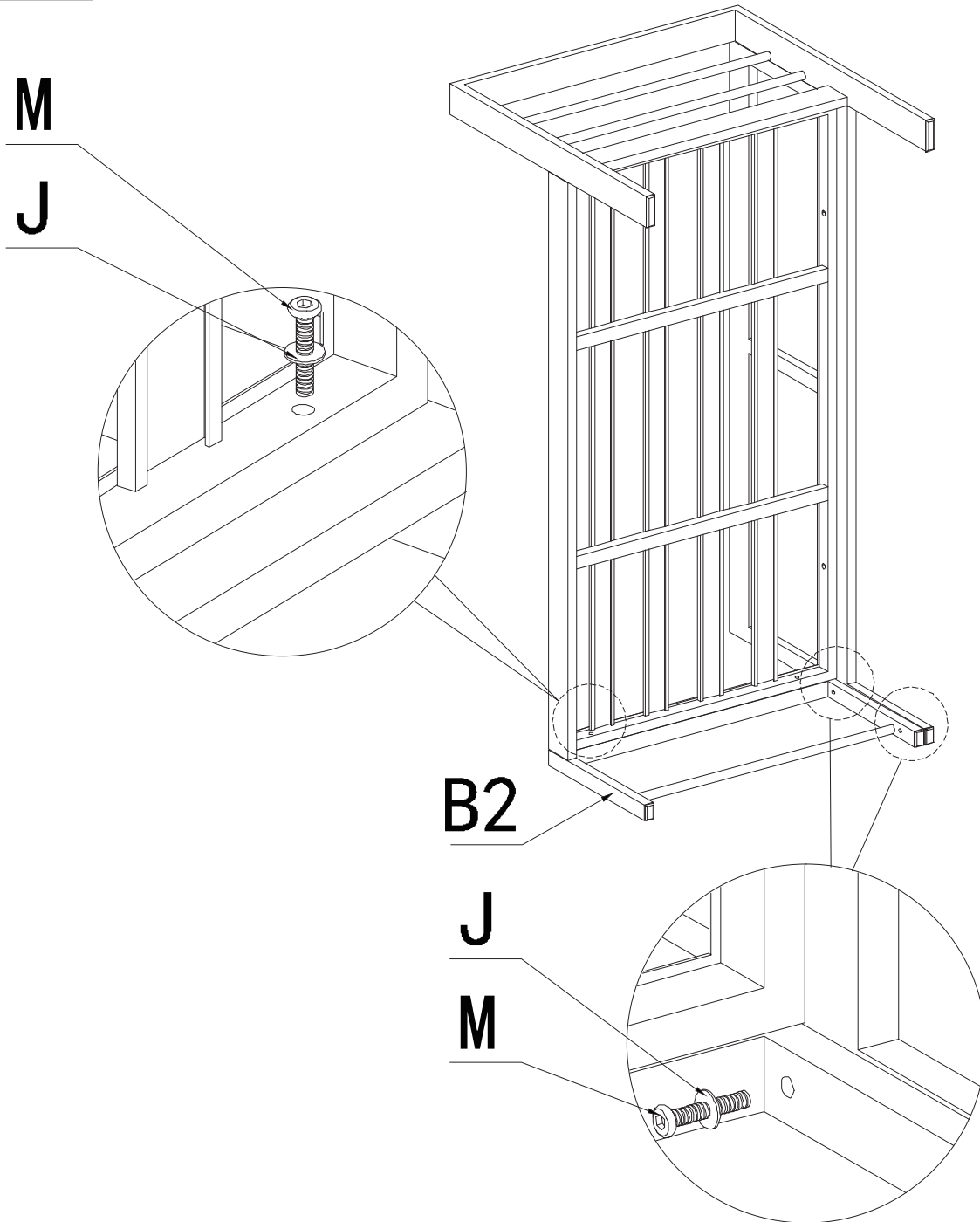


Assembly Guide

Parts Needed

B2 X1  Foot Frame	J X4  Washer	M X4  Screw M6*30
--	---	---

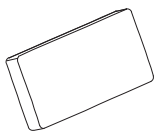
STEP2



Assembly Guide

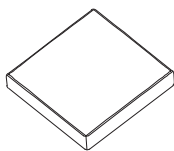
Parts Needed

F X2



Back Cushion

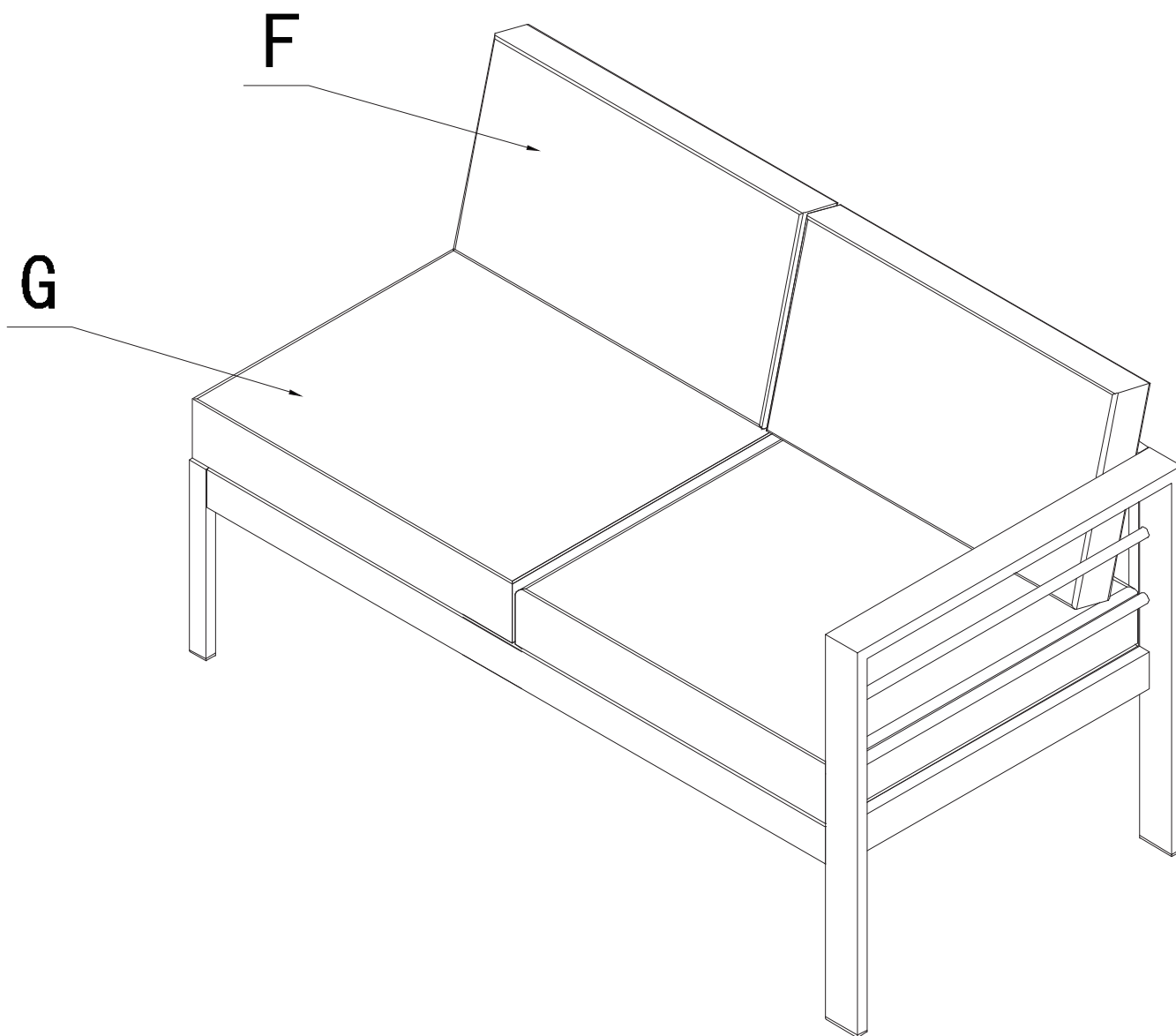
G X2



Seat Cushion

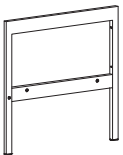
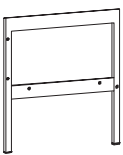
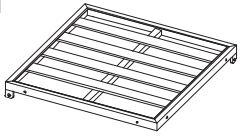



STEP 3

Put on cushions

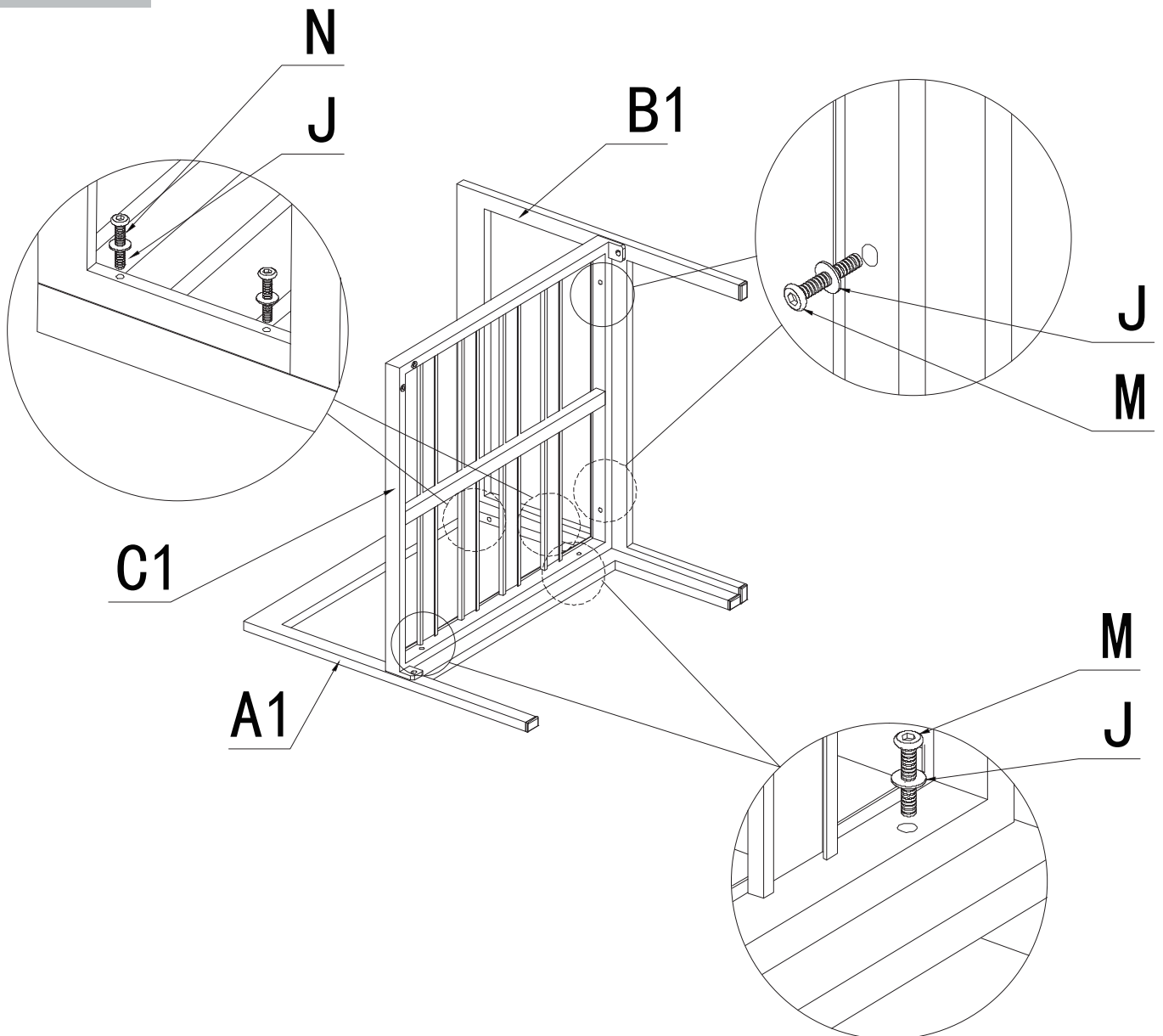


Corner Sofa & Ottomans

Parts Needed


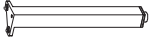
<p>A1 X1</p>  <p>Backrest</p>	<p>B1 X1</p>  <p>Backrest</p>	<p>C1 X1</p>  <p>Seat Panel</p>	<p>M X4</p>  <p>Screw M6*30</p>
<p>N X2</p>  <p>Screw M6*45</p>	<p>J X6</p>  <p>Washer</p>		

STEP 1

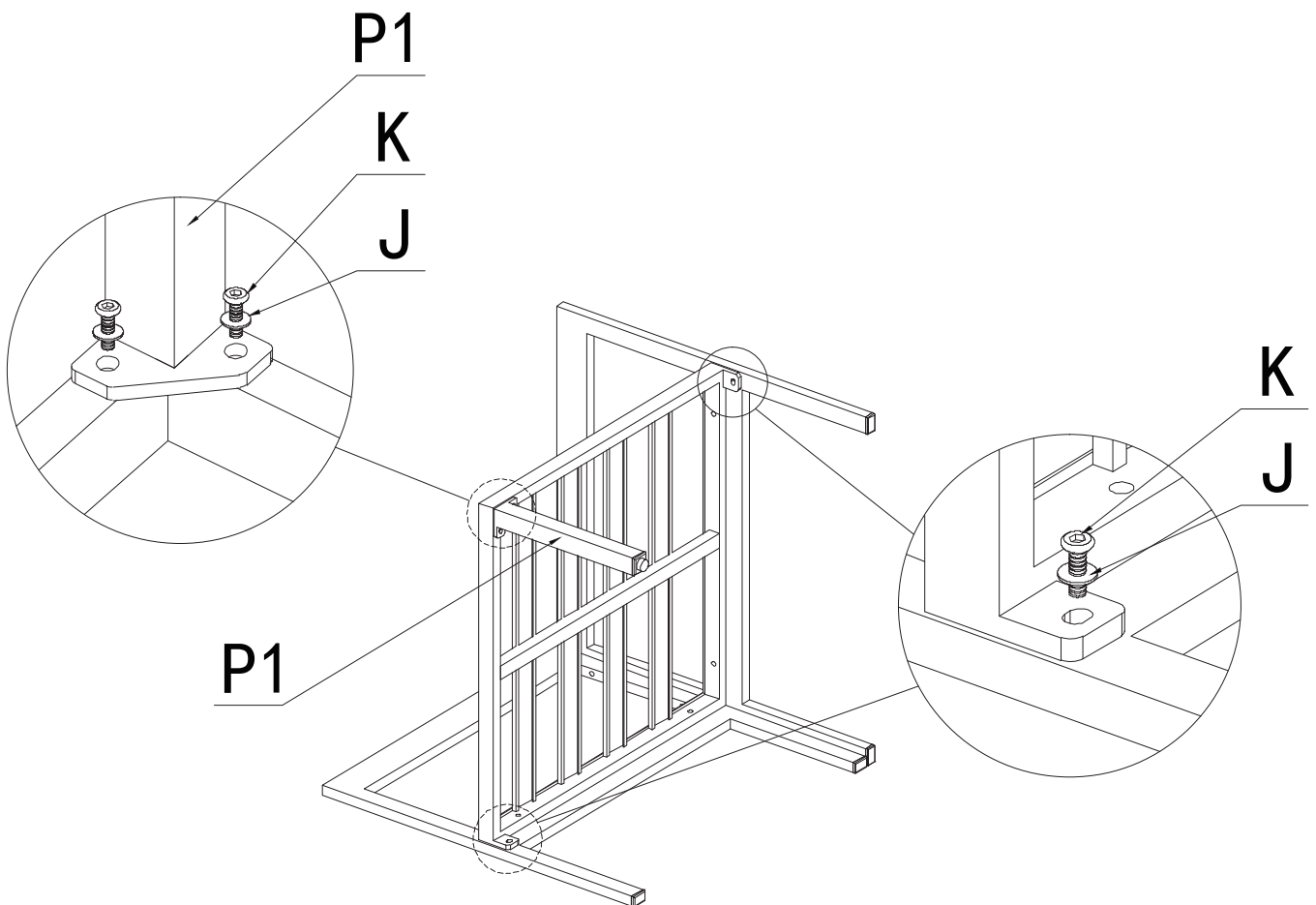


Assembly Guide

Parts Needed



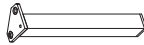
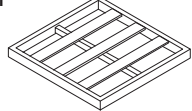
J X4  Washer	K X4  Screw M6*18	P1 X1  Corner Sofa Foot
---	--	---

STEP 2

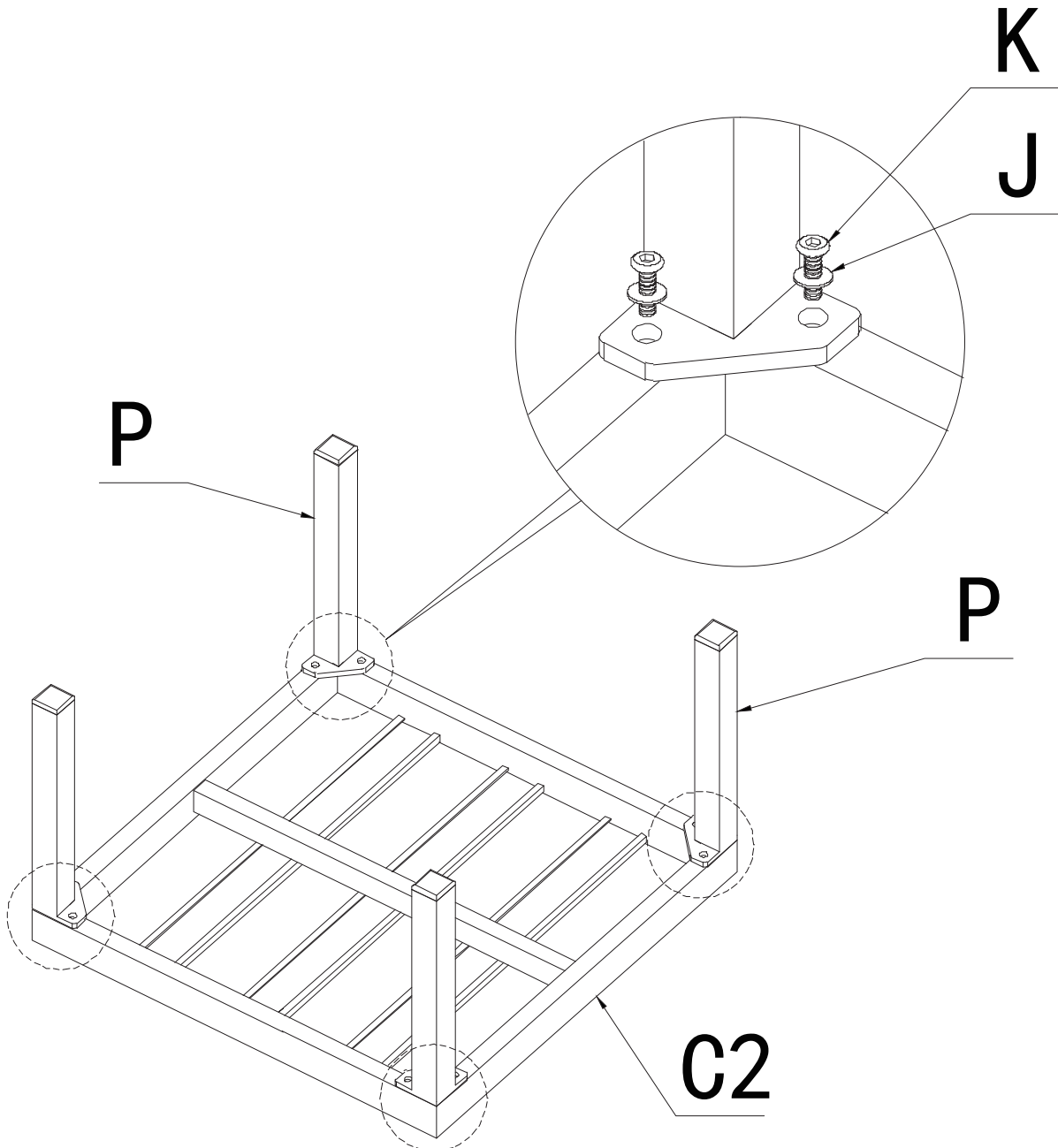


Assembly Guide

Parts Needed

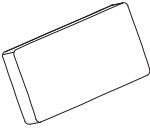
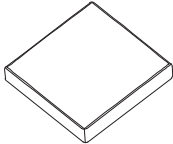
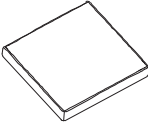
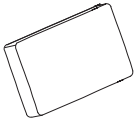
J X8  Washer	K X8  Screw M6*18	P X4  Ottoman Foot	C2 X1  Seat Panel
---	--	--	--

STEP 3



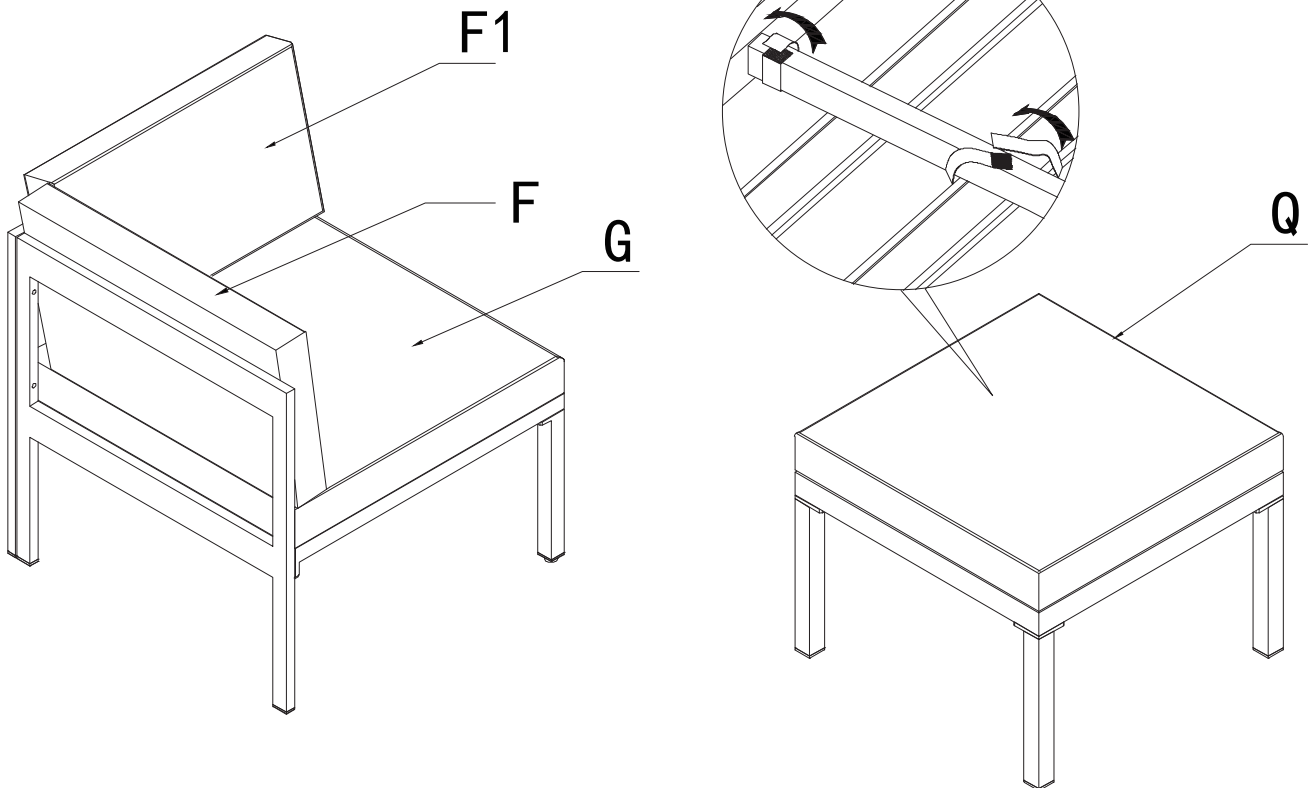
Assembly Guide

Parts Needed

F X1  Back Cushion	G X1  Seat Cushion	Q X3  Ottoman Cushion	F1 X1  Corner Sofa Back Cushion
---	---	---	--

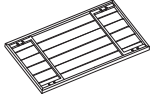
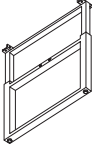


STEP4

Put on cushions. Repeat Step 3 to assemble other 2 Ottomans.
Tips: Please attach the strap together to fix the seat cushion.

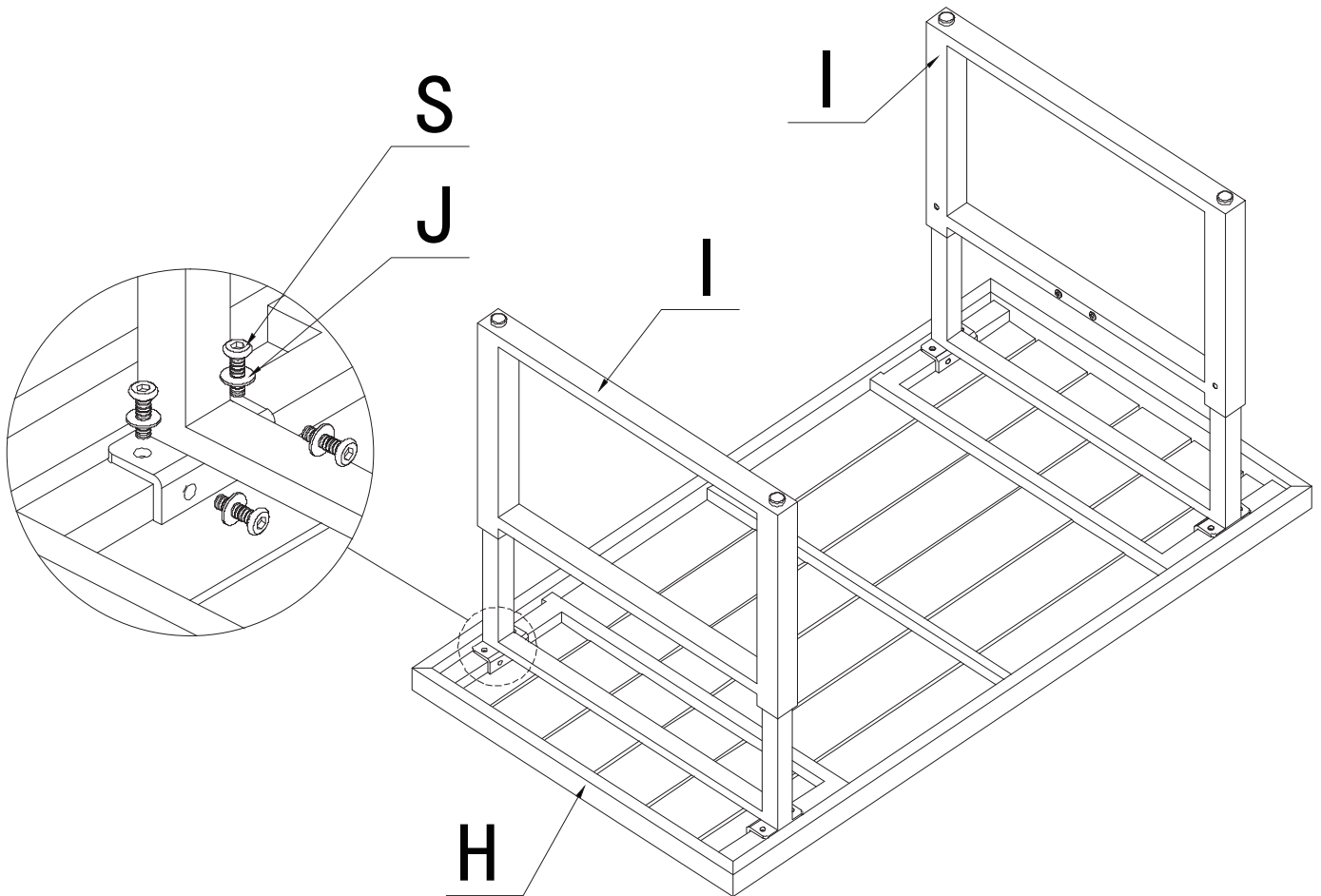


Adjustable Table

Parts Needed




H X1  Table Top Panel	I X2  Foot Frame	J X16  Washer	S X16  Screw M6*15
---	--	--	--

STEP 1

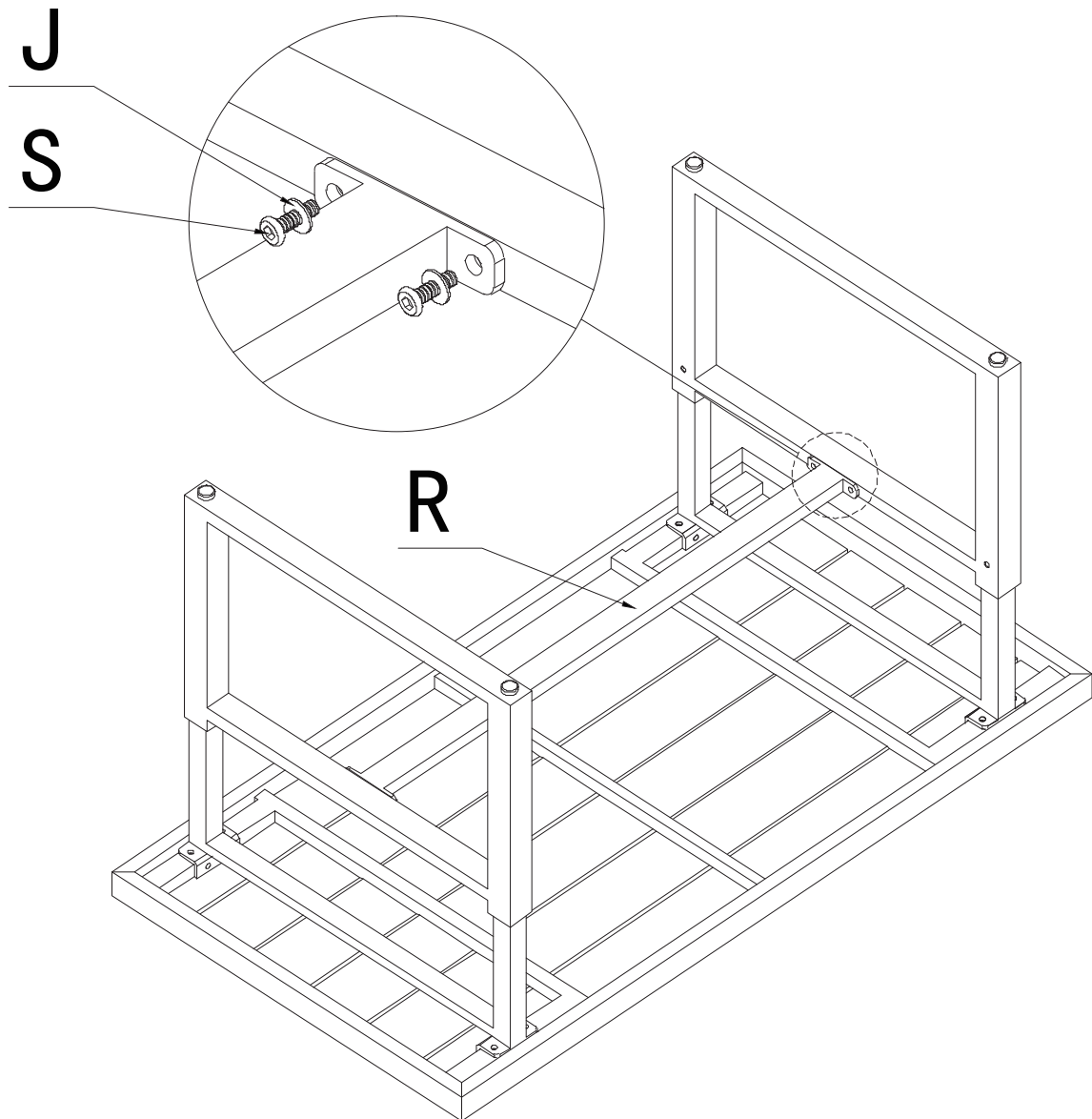


Assembly Guide

Parts Needed

S X4	J X4	R X1
		
Screw M6*15	Washer	Foot Support

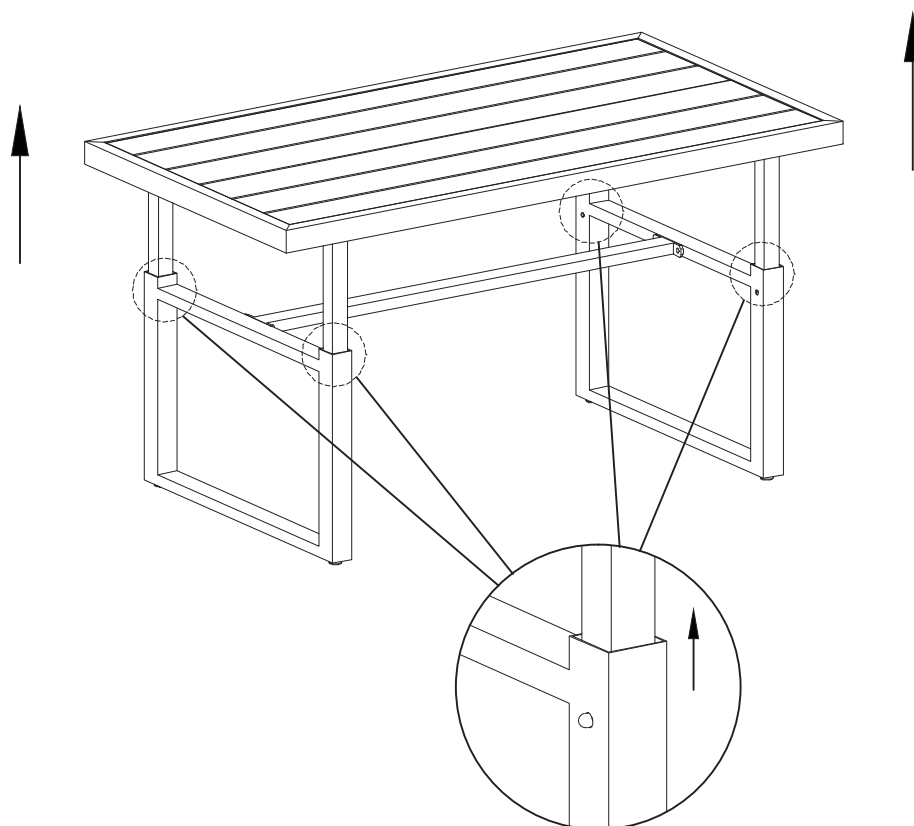
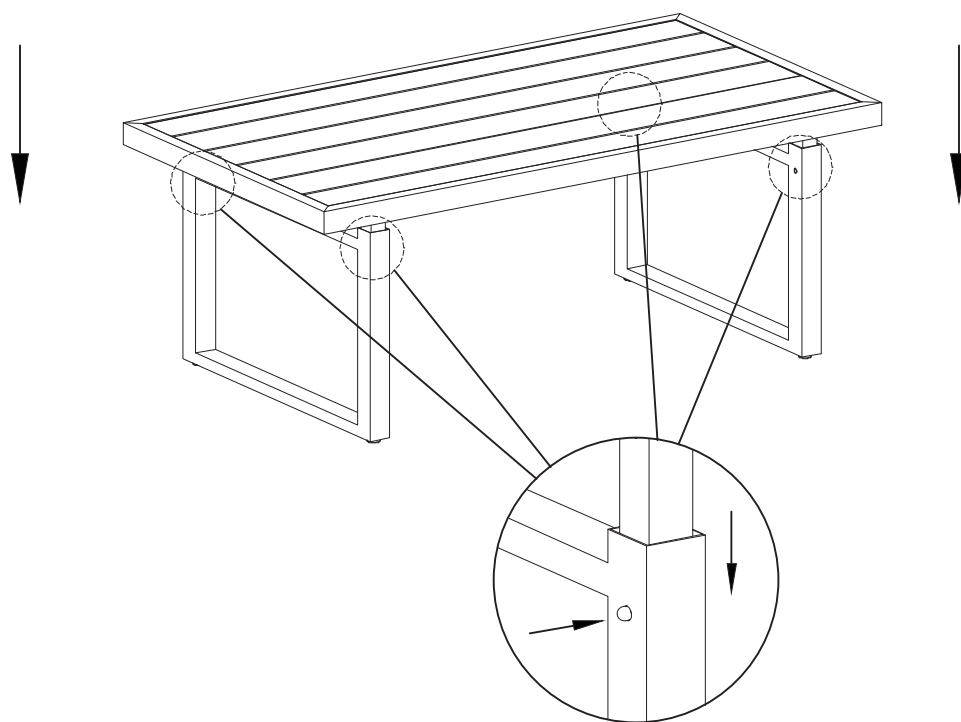
STEP 2



Assembly Guide

STEP 3

Tips: Table height can be adjusted of 2 levels by snap-fit.



ABOUT WARRANTY

- We warrant the original purchaser of this product against defects in design, assembly, material, or workmanship for one year from the original date of purchase, as well as 30 days to return with no reason. In the event of defects in design, assembly, material, or workmanship, we will replace any such defective parts. Parts included under this warranty are large metal components. To claim your warranty, contact us through our online platform and one of our customer service representative will respond. Please include your order number within the message.
- Claims of this warranty shall be limited to replacement of certain parts, replacement of whole product, partial refund, or a full refund.
- This warranty does not apply to normal wear or damage from misuse, abuse, or improper storage or handling, accidents, repairs, alterations or any circumstances not attributed to manufacturing, logistics, or material defect.
- For items bought by mistake, no longer needed, not meeting expectations, or refused upon delivery, customers are responsible for covering the return shipping fees and restocking fees. We accept returns exclusively through FedEx or UPS.