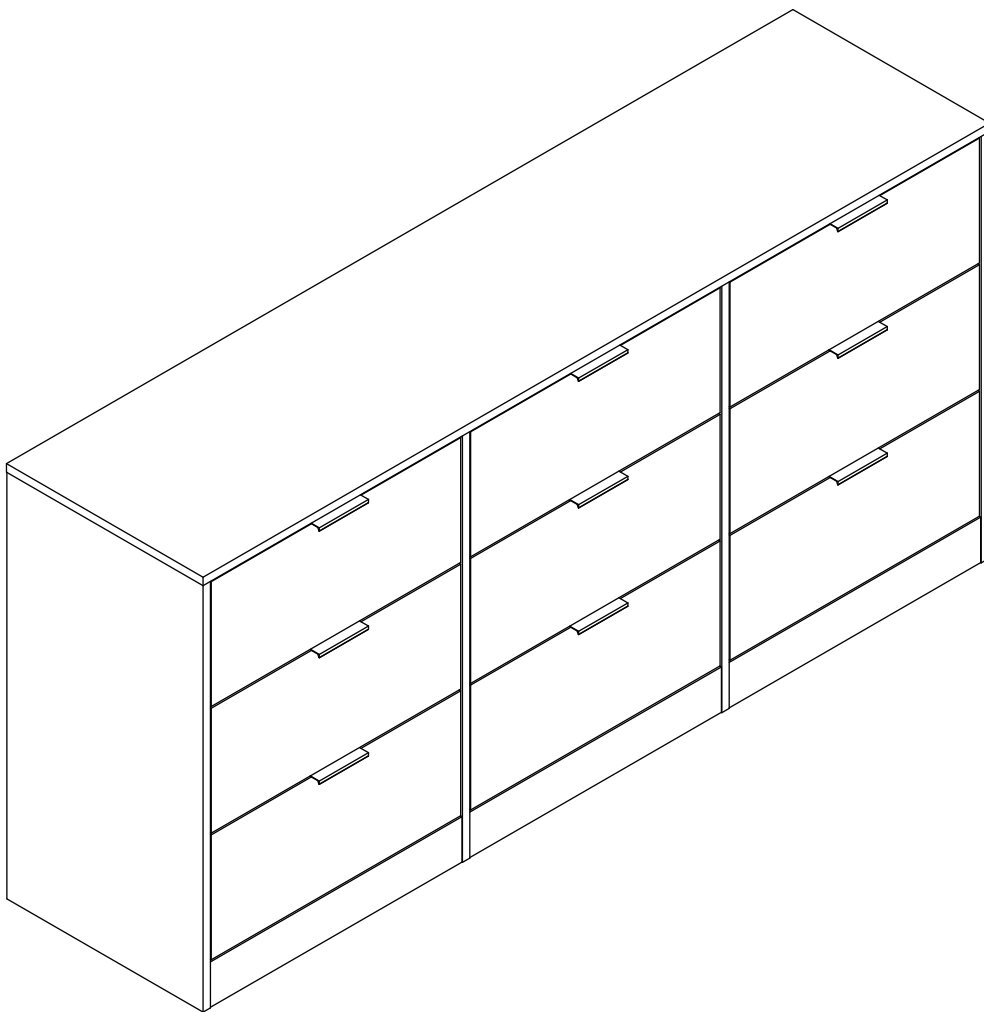
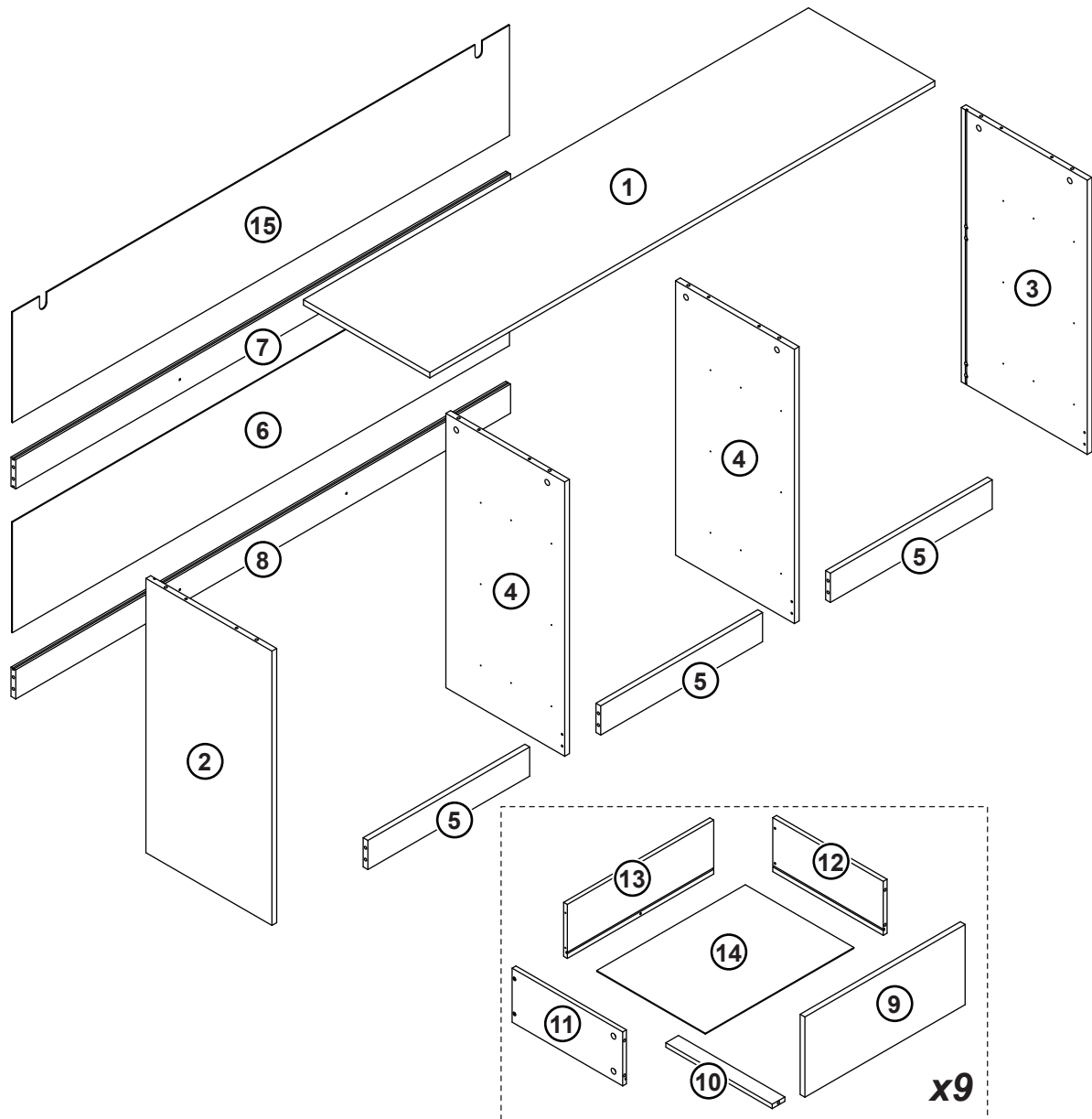
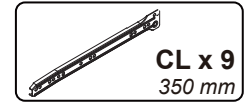
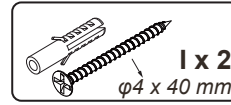
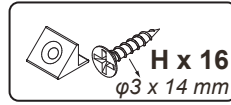
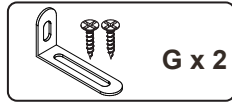
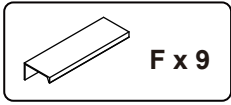
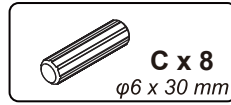
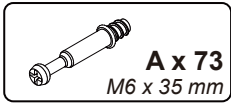

Installation & Assembly



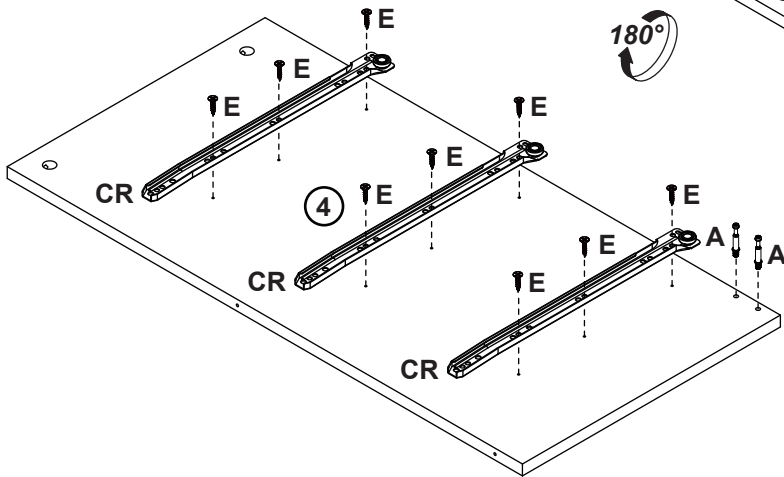
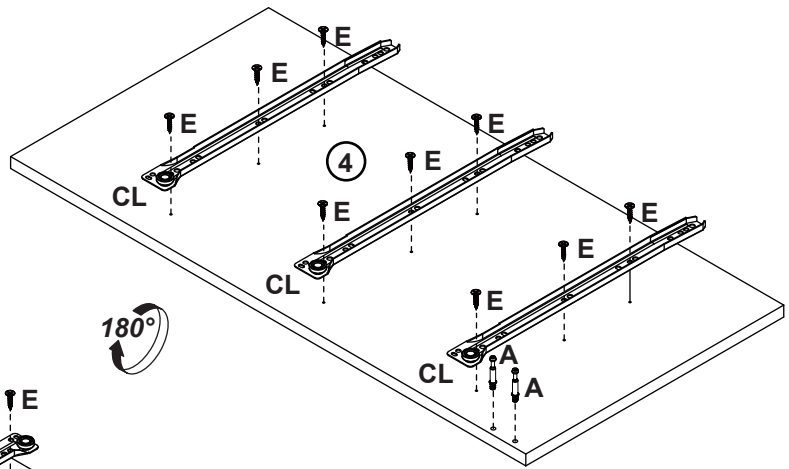
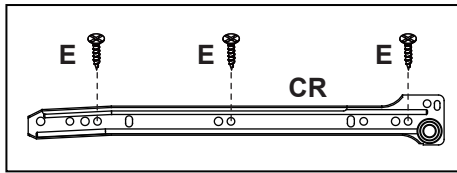
Exploded View



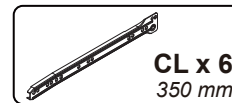
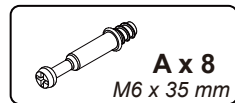
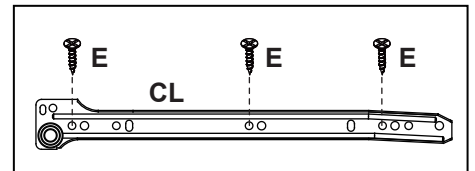
Fitting



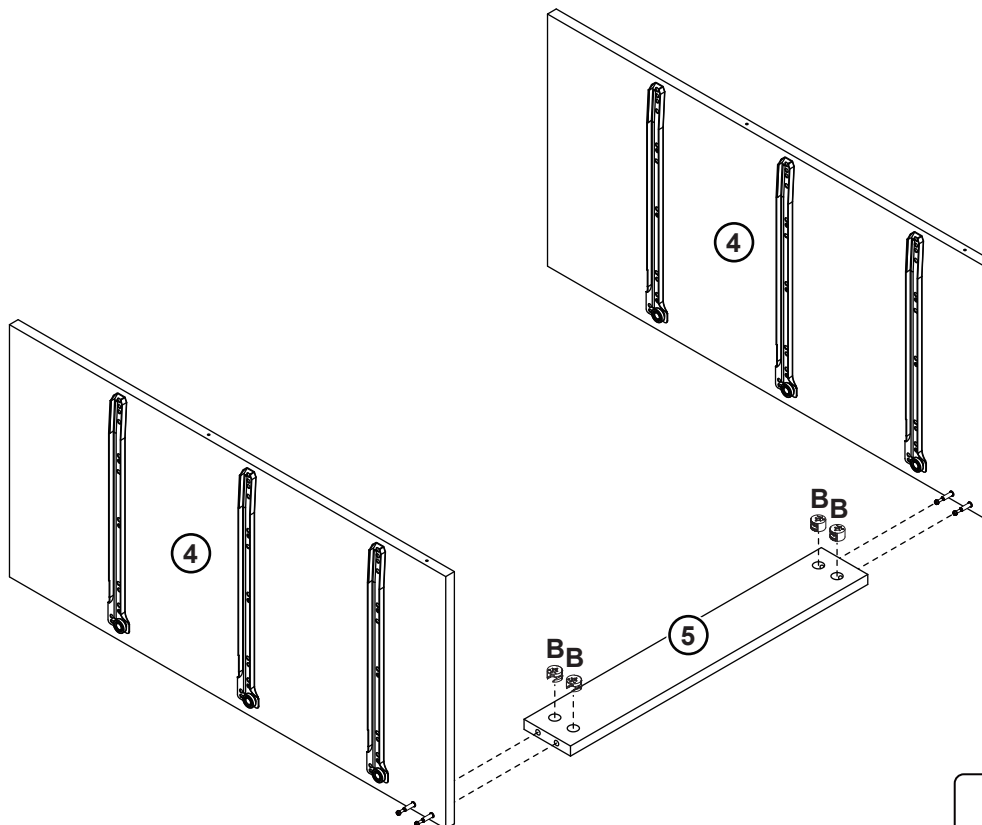
Step 1



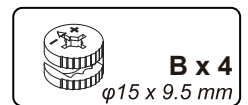
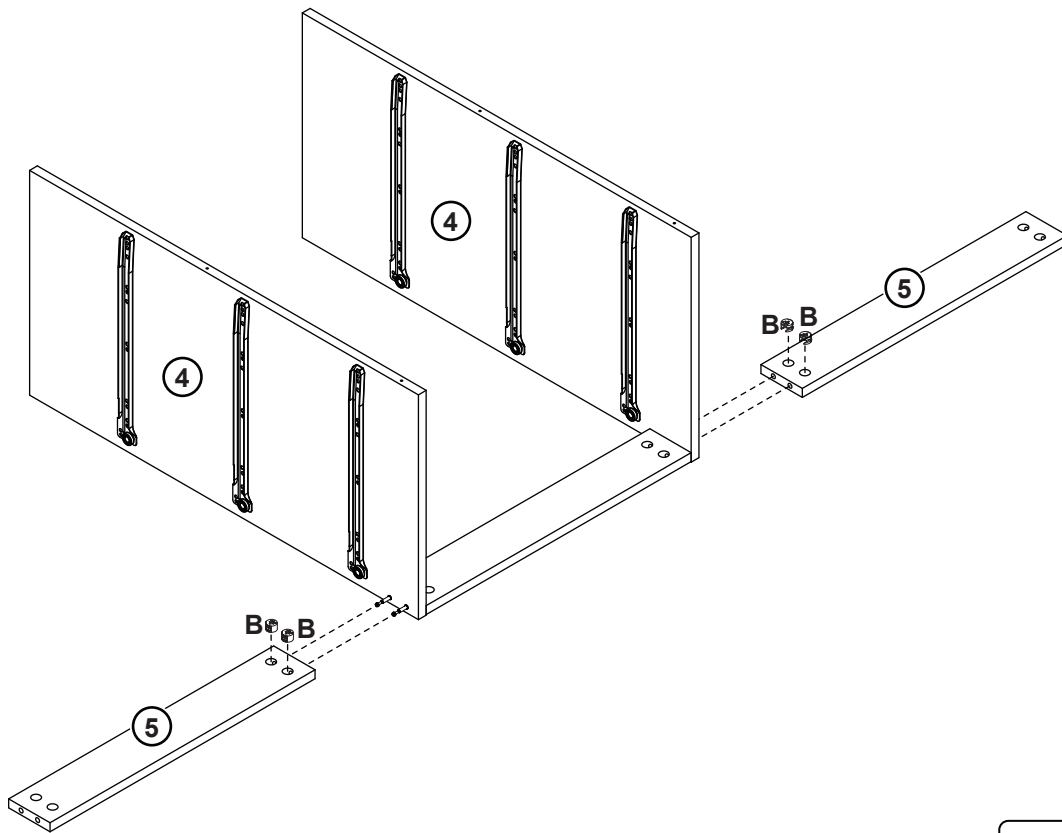
x2



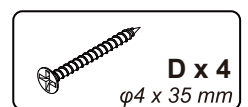
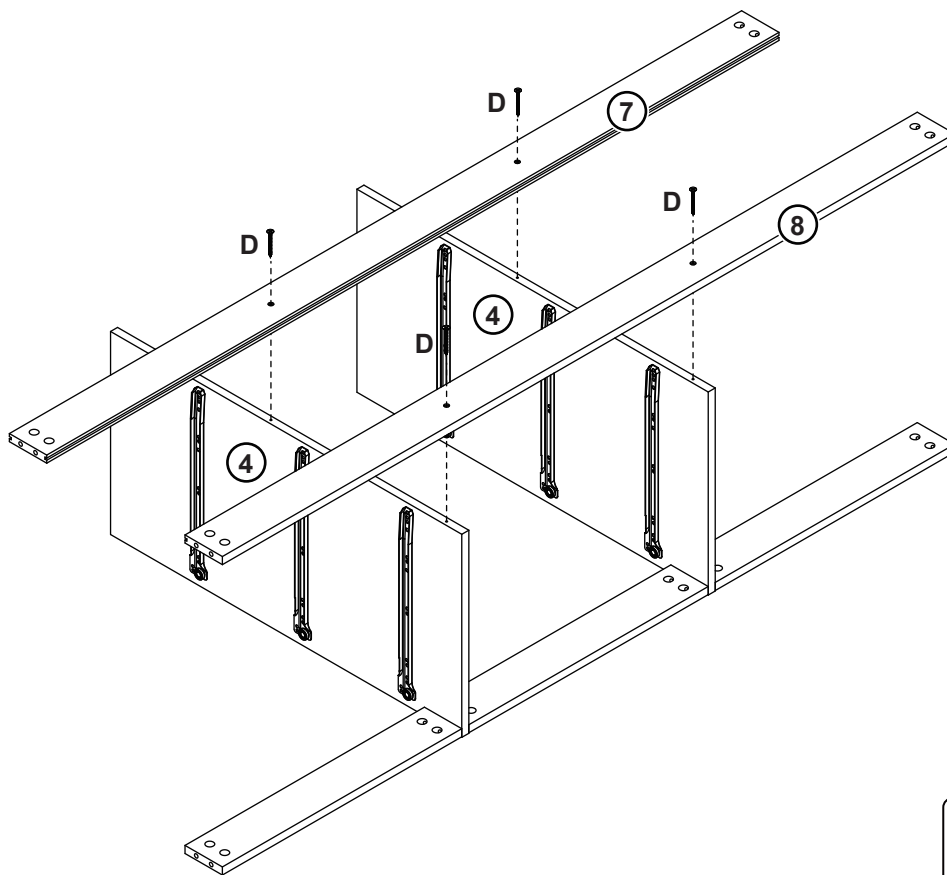
Step 2



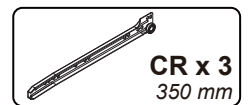
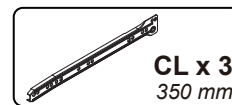
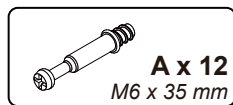
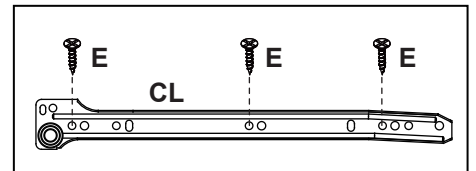
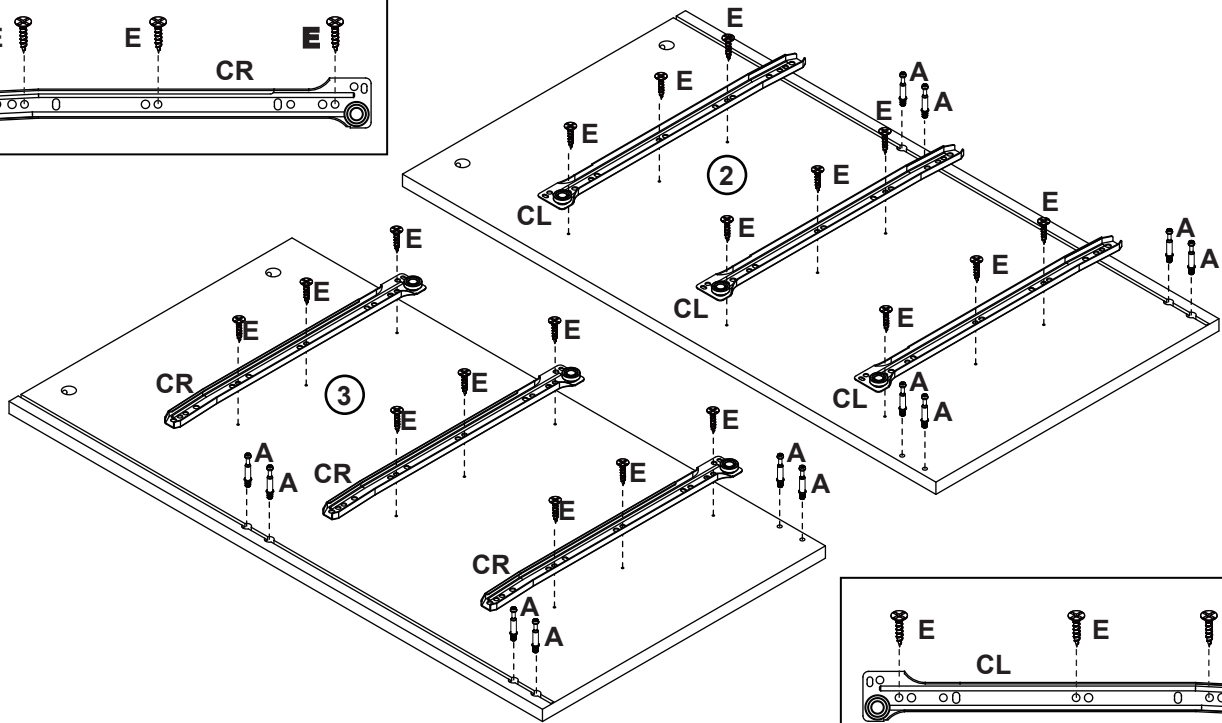
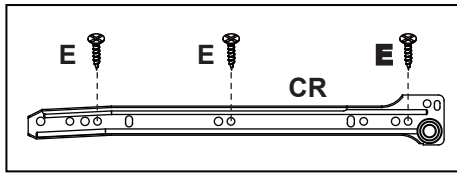
Step 3



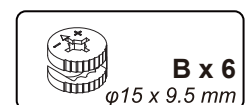
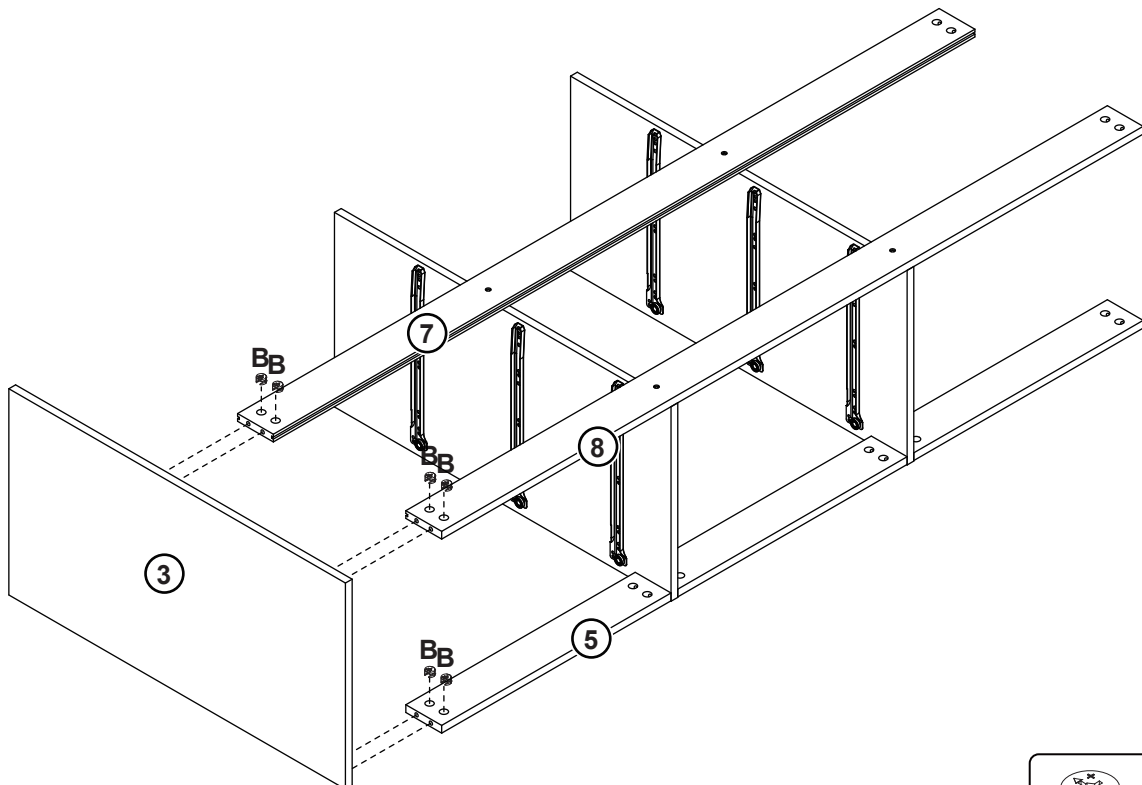
Step 4



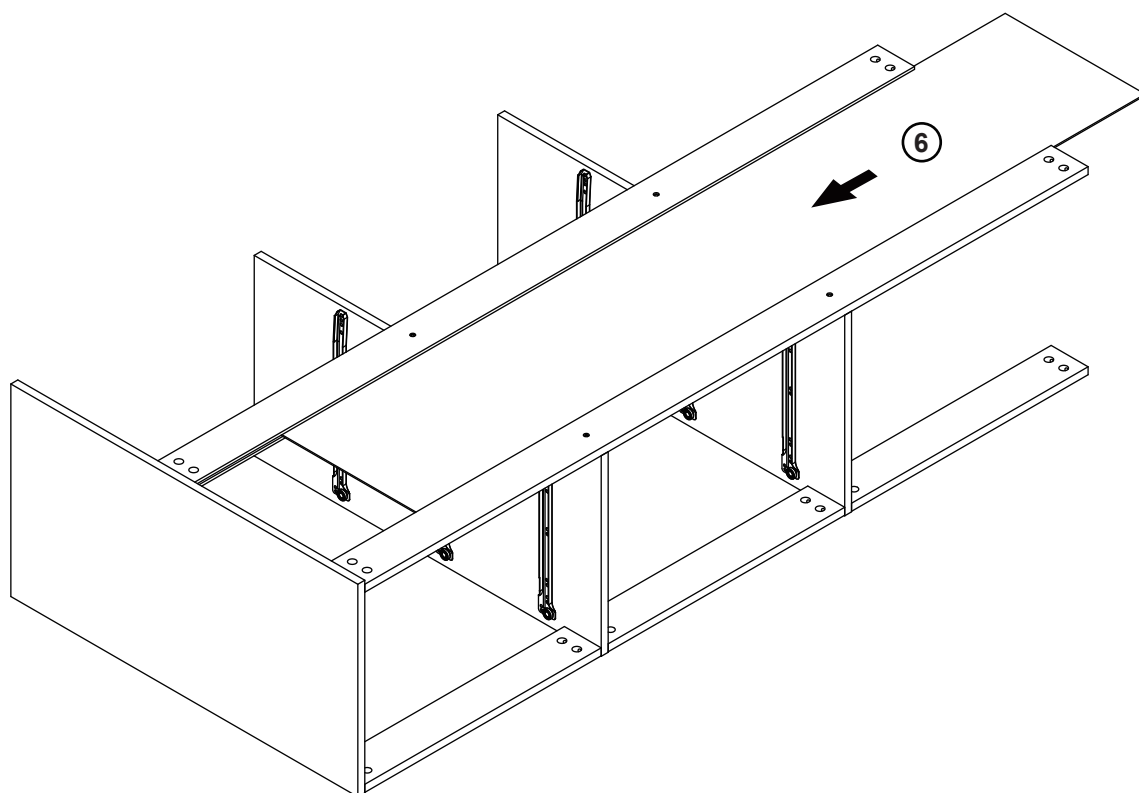
Step 5



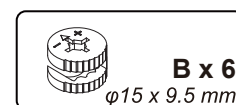
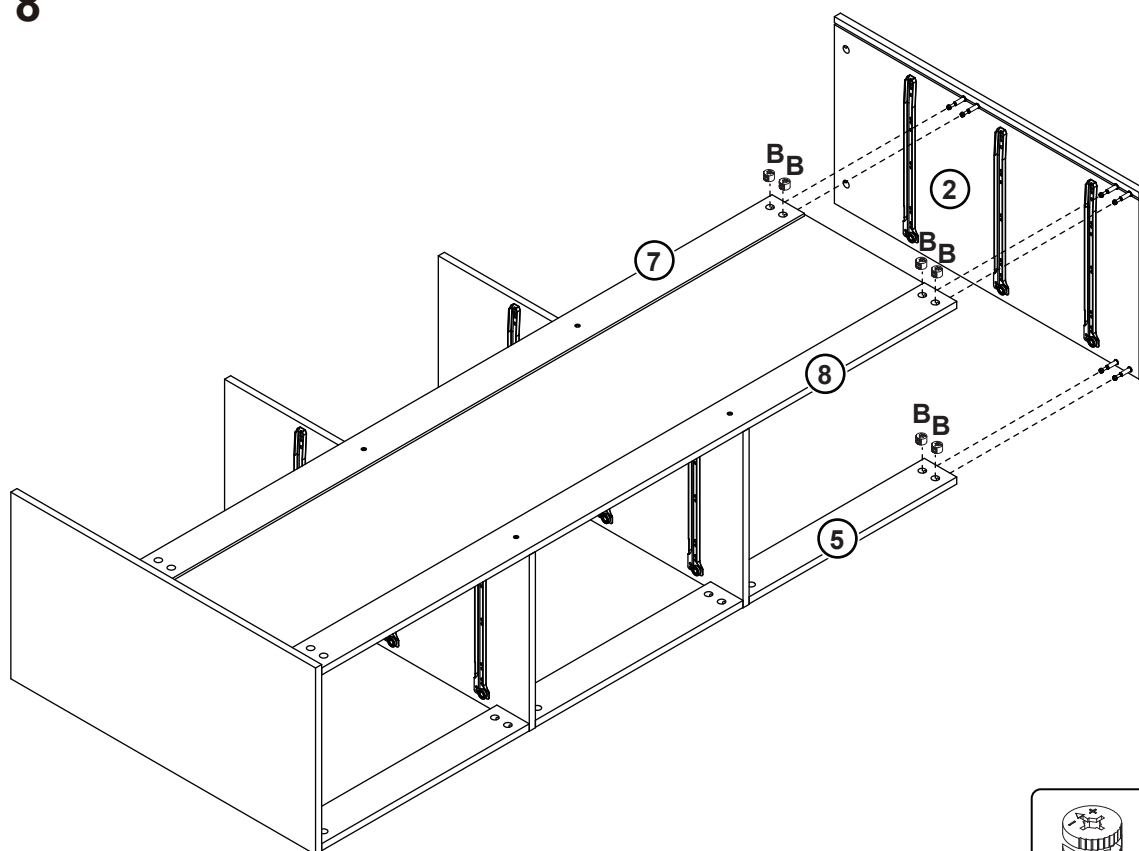
Step 6



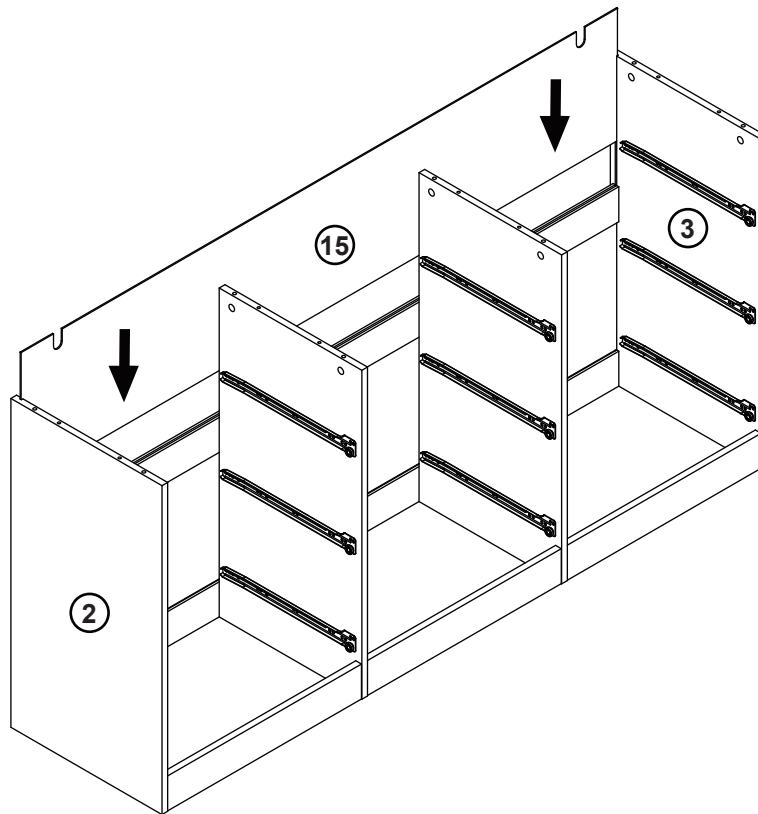
Step 7



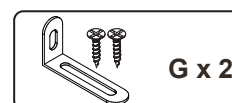
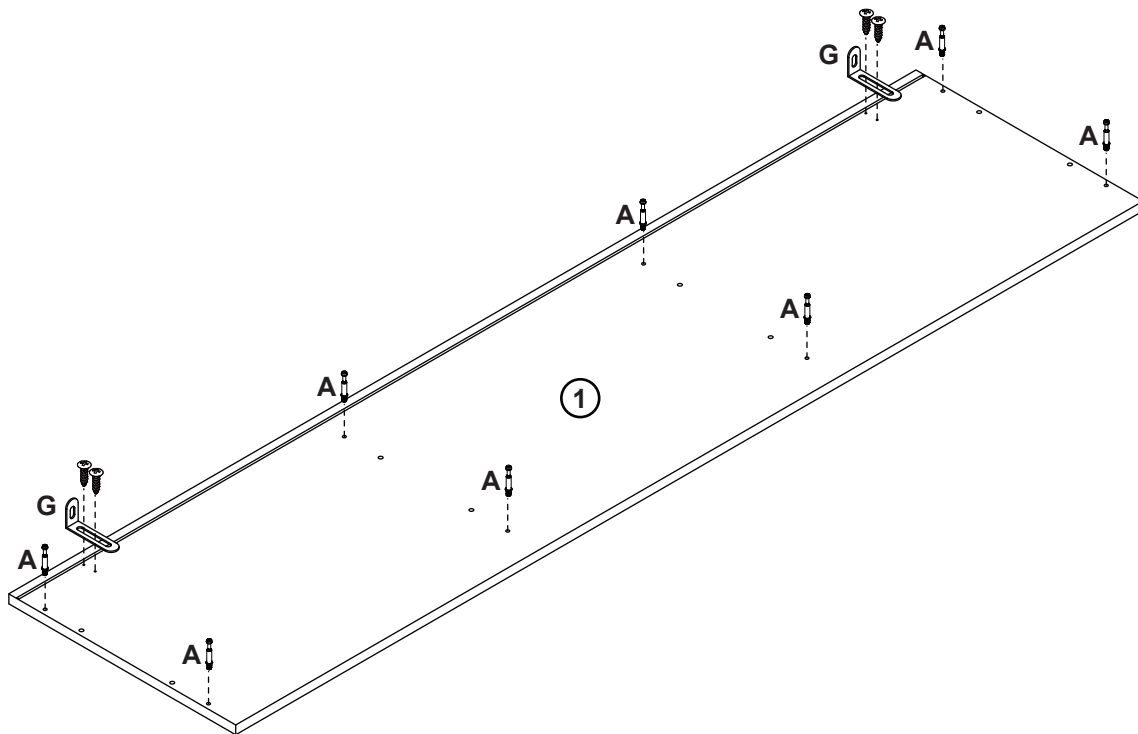
Step 8



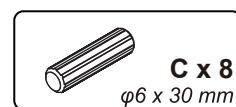
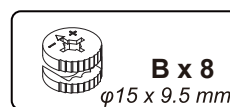
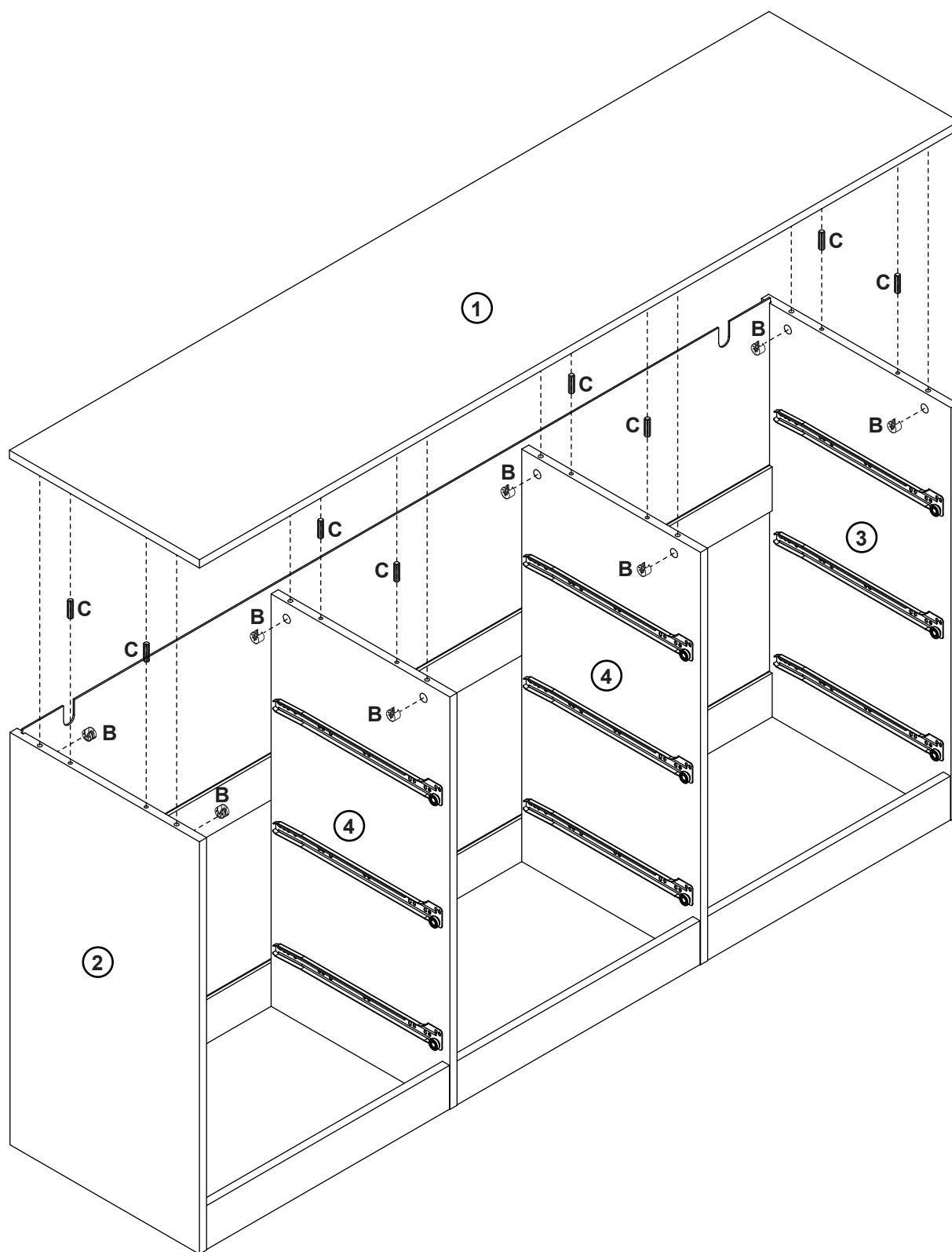
Step 9



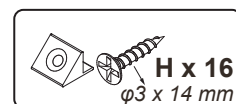
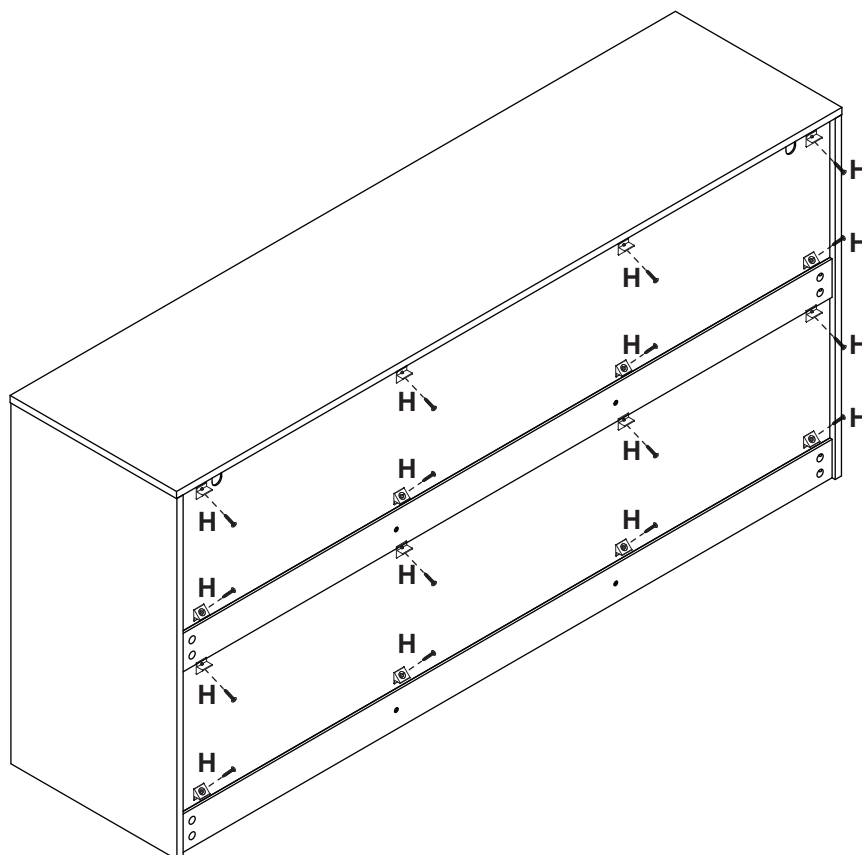
Step 10



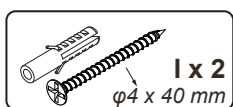
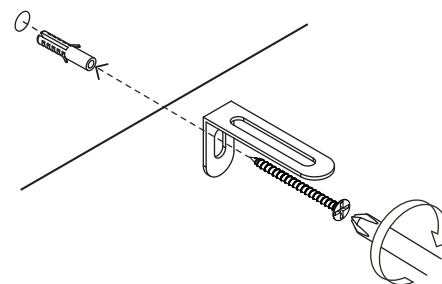
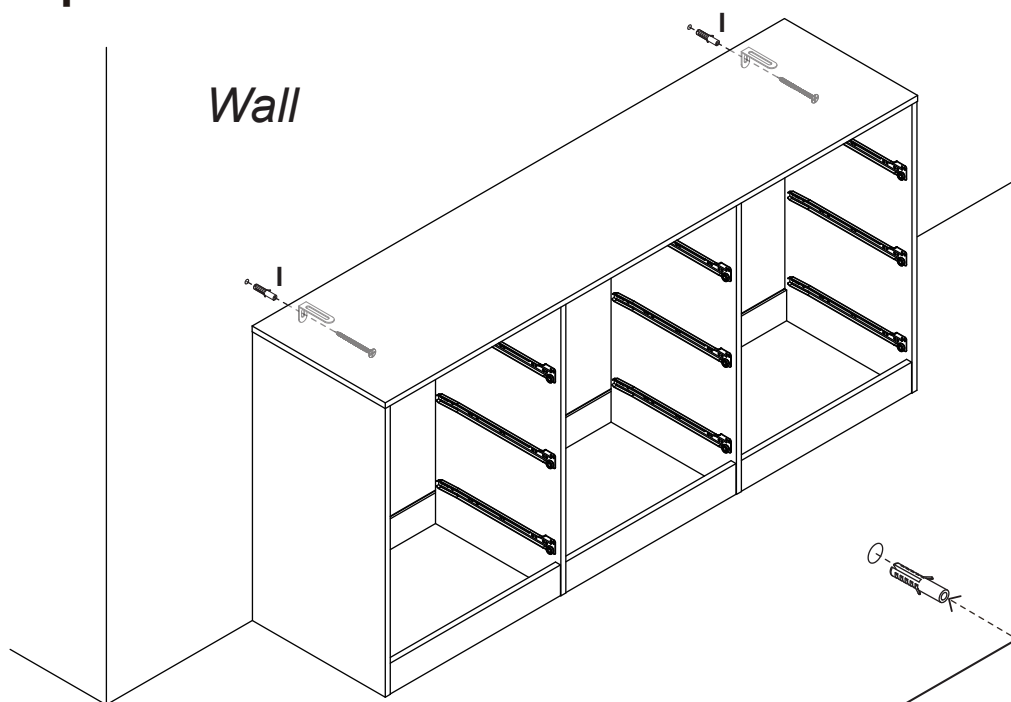
Step 11



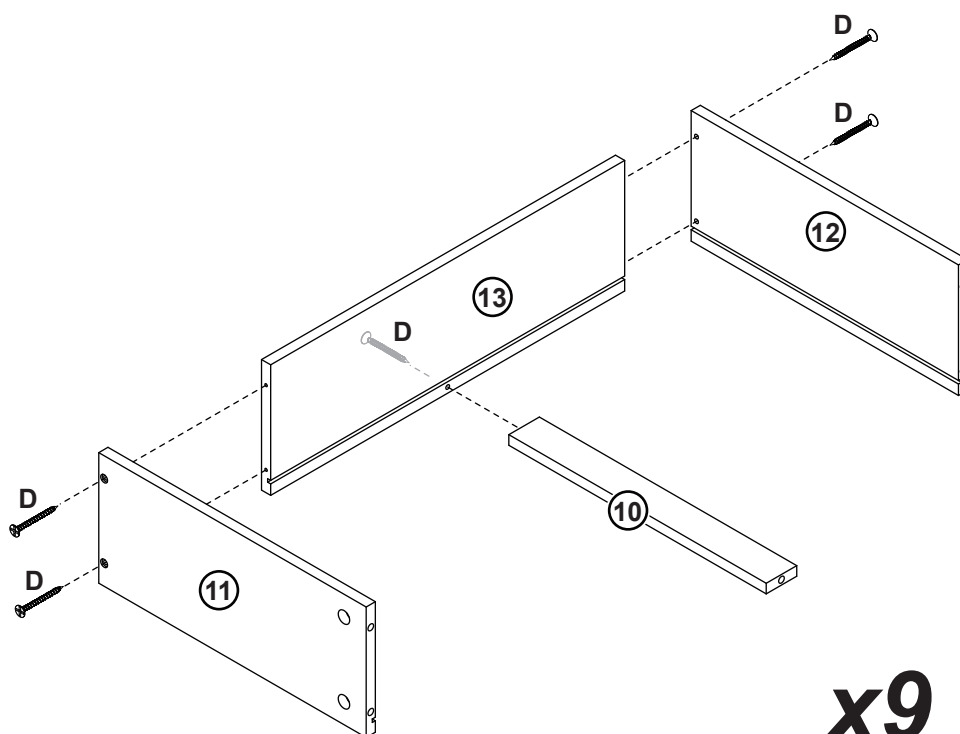
Step 12



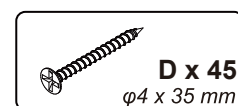
Step 13



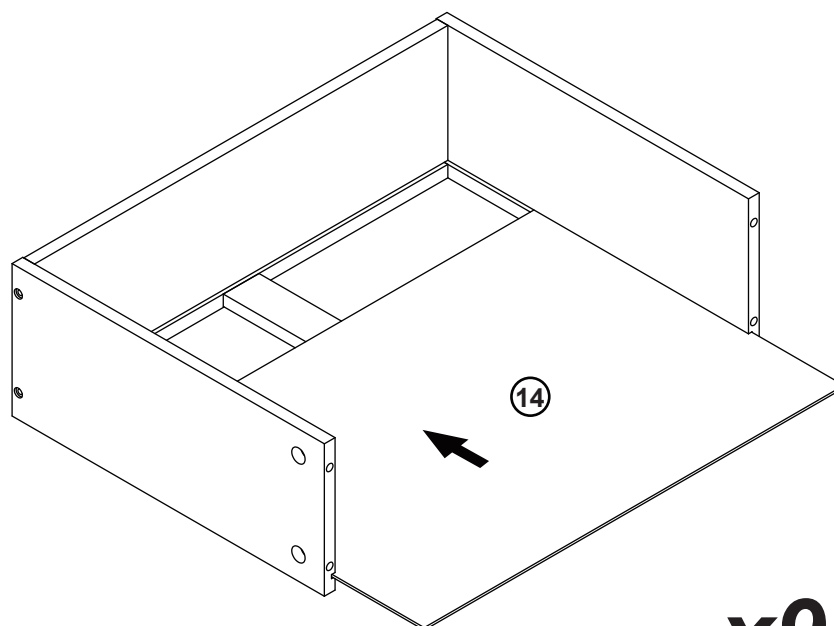
Step 14



x9

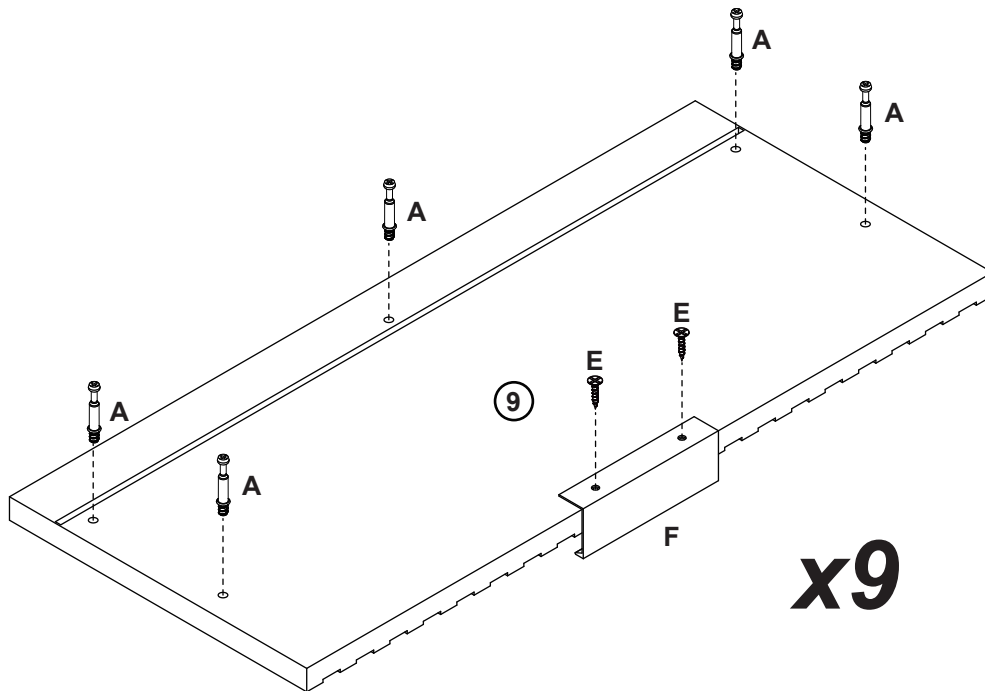


Step 15

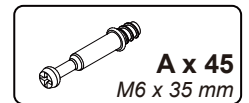
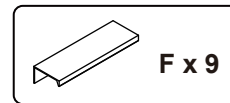


x9

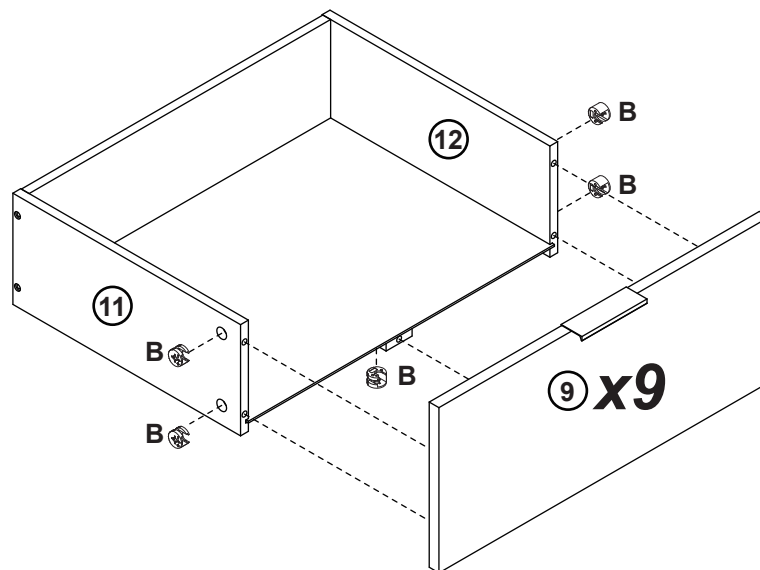
Step 16



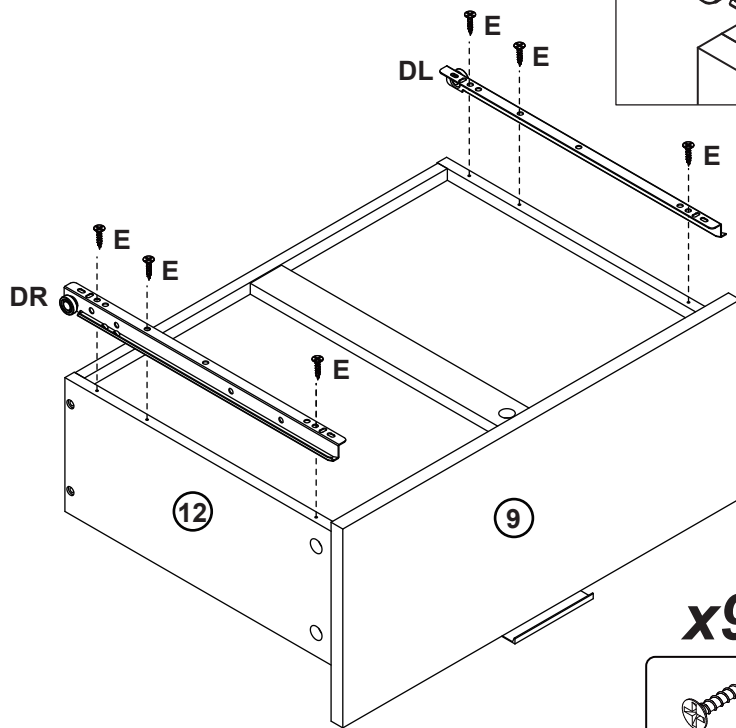
x9



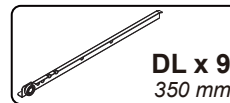
Step 17



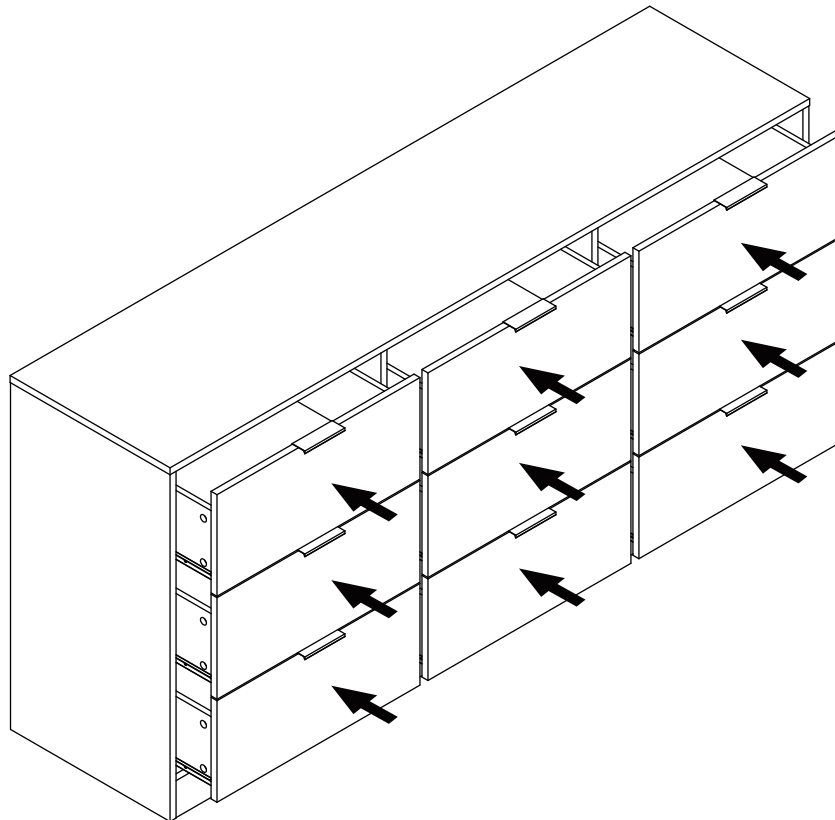
Step 18



x9



Step 19



Step 20

