

ASSEMBLY INSTRUCTIONS
WOBURN 1 DOOR AND 1 DRAWER WARDROBE

IMPORTANT: READ THESE INSTRUCTIONS CAREFULLY BEFORE ASSEMBLING OR USING YOUR WOBURN 1 DOOR AND 1 DRAWER WARDROBE.

PLEASE KEEP THESE INSTRUCTIONS FOR FUTURE REFERENCE.

HEALTH & SAFETY:

DO NOT use this wardrobe if any parts are missing, damaged or worn.

DO NOT use this wardrobe unless all fixings are secured.

Always use on a level, even surface.

WARNING: If this item is placed on a non-carpeted floor you must place some protection under all legs to stop the wardrobe from moving. If this is not adhered to there is no guarantee if the wardrobe collapses.

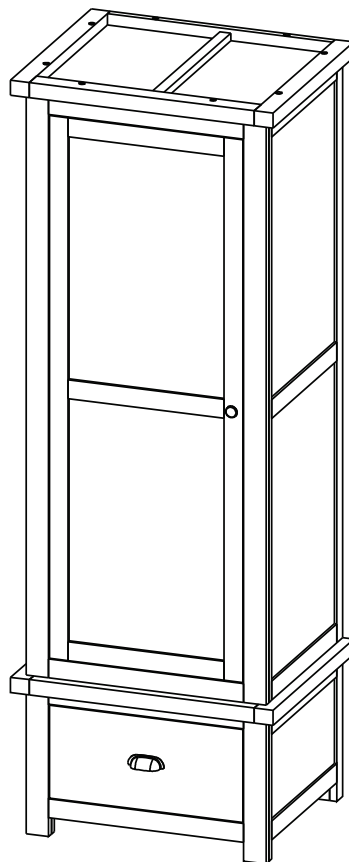
CARE & MAINTENANCE:

Periodically check all screws & fixings to ensure they are secure.

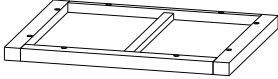
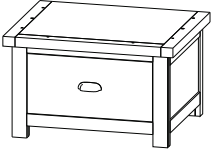

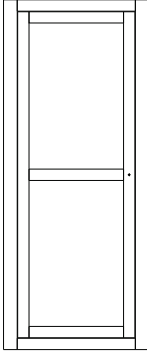
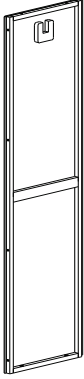
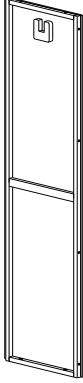
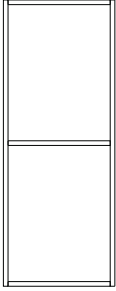
DO NOT push the wardrobe as this will damage the legs.

Always lift the wardrobe with two people to reposition.



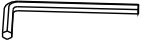
Keep any sharp objects away from the wardrobe.



Parts List

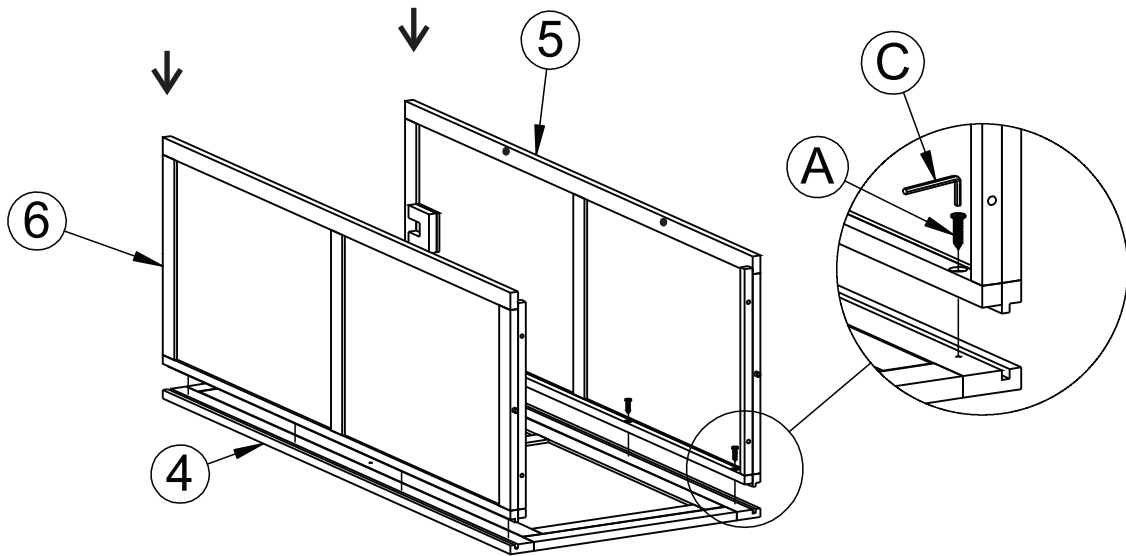
		
1–Top Panel (box 1)	2–Base With Drawer (box 2)	3 - Hanging Rail (box 1)
		
4–Front Panel (box 1)	5–Left Panel (box 1)	6–Right Panel (box 1)
		
7–Back Panel (box 1)		

Hardware List (found in box 1)

Part	Description	Qty
A	Screw M6x30 	32
B	Handle (for door) 	1
C	Allen Key 	1
**You well need a screwdriver (not provided)		

Note: All screws must install according to the working hole.

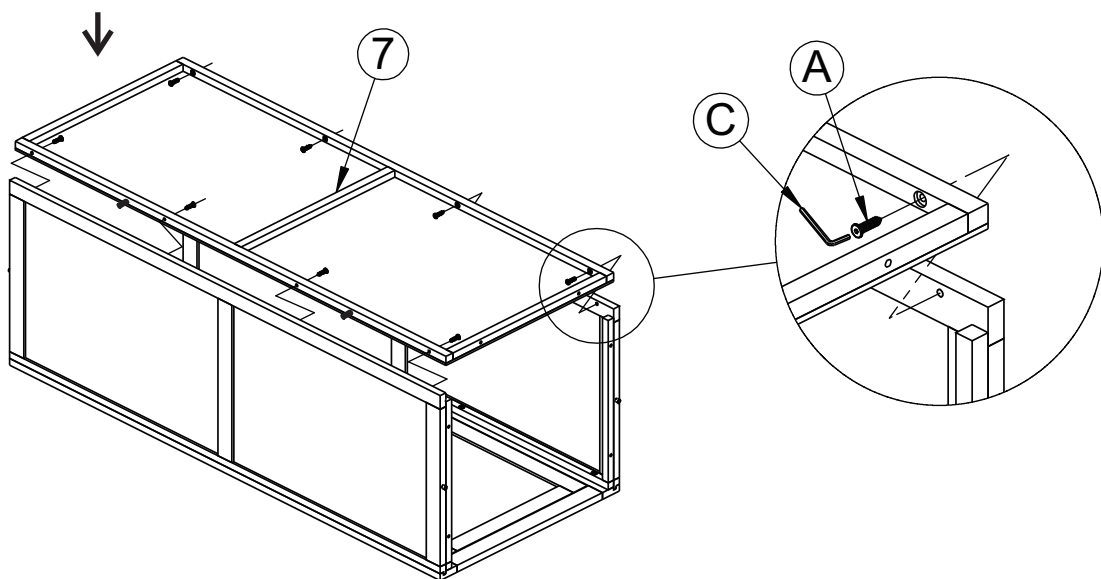
Step 1: Attach the left panel (5) and right panel (6) to the front panel (4) using hardware parts A and C.
DO NOT use any power tools as this may damage the frame and will invalidate any claim.



Note: All screws must install according to the working hole.

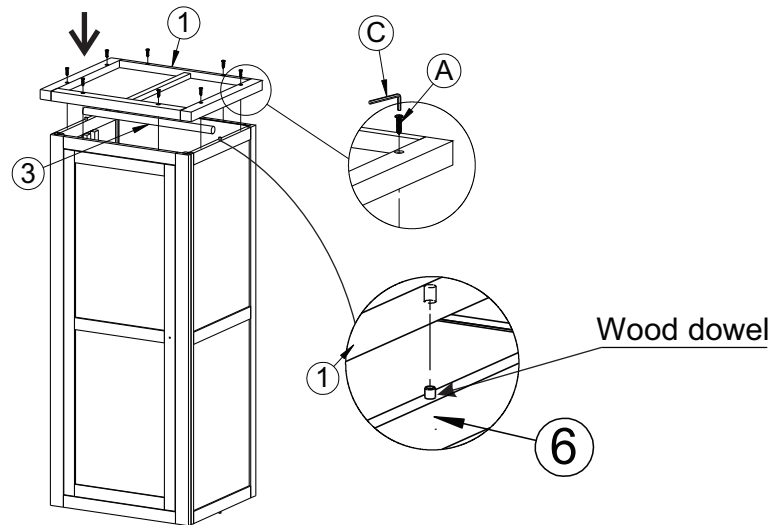
Step 2: Attach the back panel (7) using hardware parts A and C.

DO NOT use any power tools as this may damage the frame and will invalidate any claim.



Note: All screws must install according to the working hole.

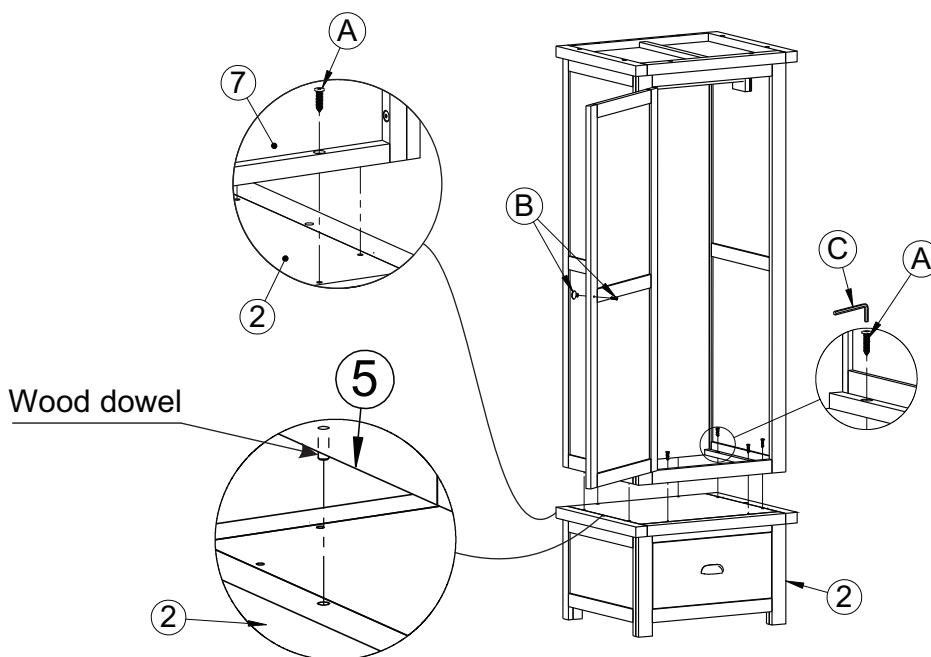
Step 3: Insert the hanging rail (3) and attach the top panel (1) using hardware parts A and C. DO NOT use any power tools as this may damage the frame and will invalidate any claim.



Note: All screws must install according to the working hole.

Step 4: Attach the base with drawer (2) using hardware parts A and C. Attach hardware part B to the doors and the drawers.

DO NOT use any power tools as this may damage the frame and will invalidate any claim.



Additional Information:

- For complete product information, images and dimension diagrams please visit the [website](#).
- If you have any issues with your item please contact the retailer directly you purchased it from who will be able to resolve any issues.