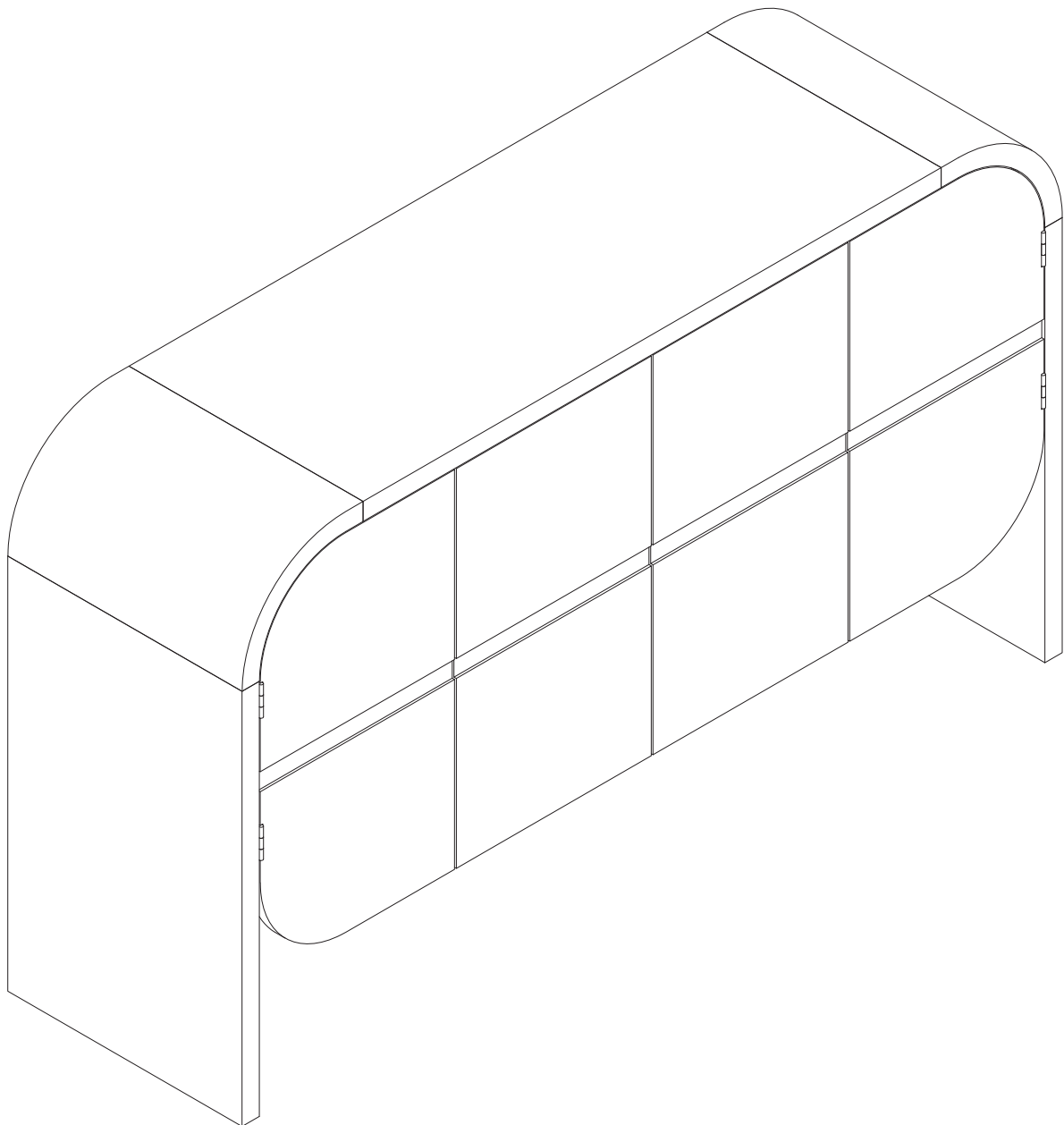


# ASSEMBLY INSTRUCTION

## Side Board



# ASSEMBLY INSTRUCTION

Please read these instructions fully before starting assembly :

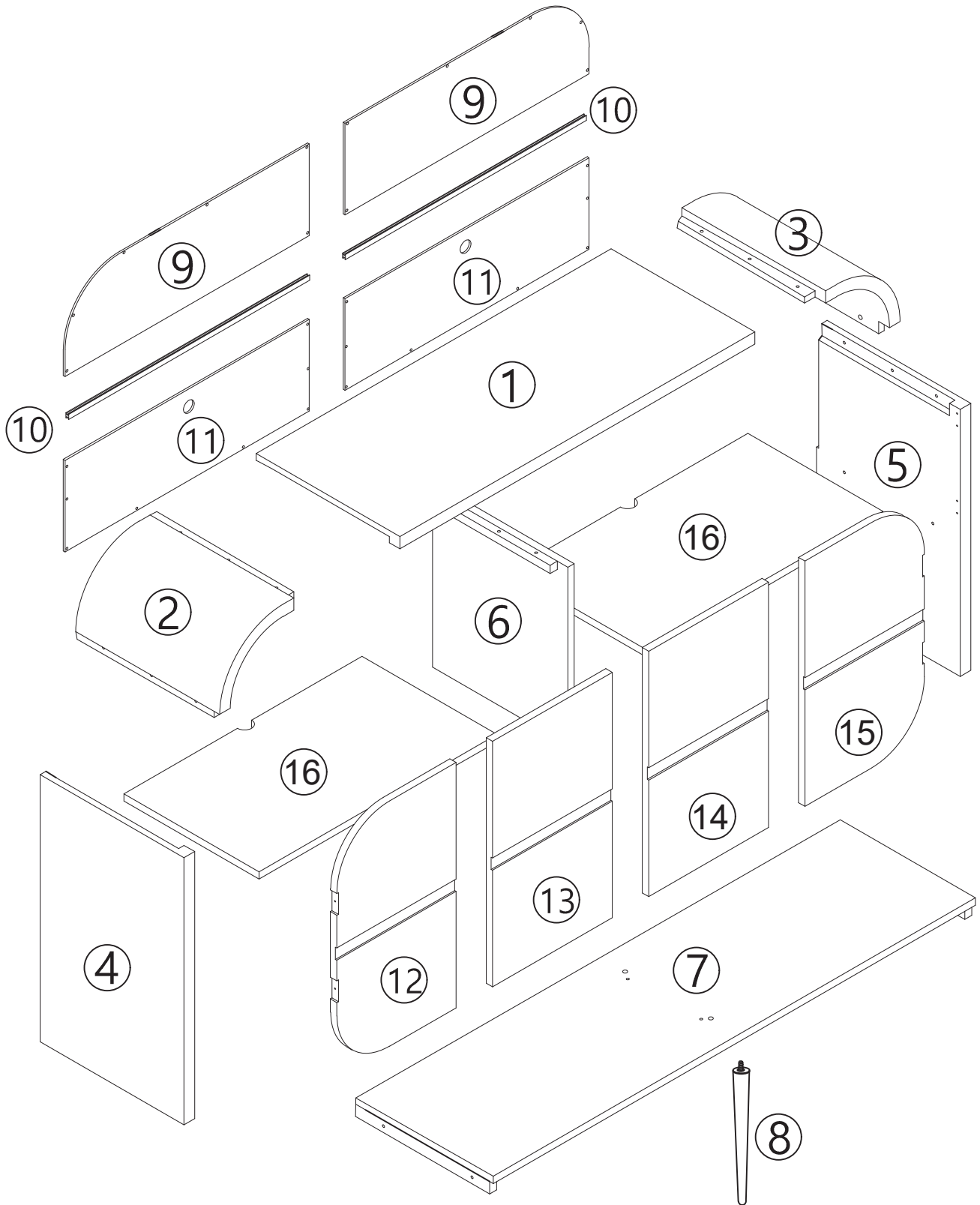
Tools required: Phillips screwdriver (medium & large)

1. Check you have all the components and tools listed on the following pages.
2. Remove all fittings from the plastic bags and separate them into their groups.
3. Keep children and animals away from the work area, small parts could choke if swallowed.
4. Make sure you have enough space to layout the parts before starting.
5. During assembly do not stand or put weight on the product, this could cause damage.
6. Assemble the item as close to its final position (in the same room) as possible.
7. Assemble on a soft level surface to avoid damaging the unit or your floor.
8. Parts of the assembly will be easier with 2 people.
9. To reduce the likelihood of damaging your product please ensure that your power drill is set on a low torque setting.
10. Assemble all parts and bolts loosely during assembly, only once the product is complete should you fully tighten the bolts.
11. Regularly check and ensure That all bolts and fittings are tightend properly.
12. Please do not place items that exceed the load capacity.

## Care and maintenance

Only clean using a damp cloth and mild detergent, do no use bleach or abrasive cleaners.

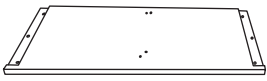
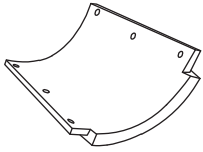
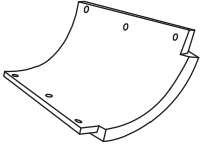
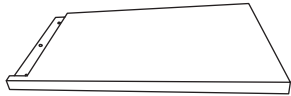
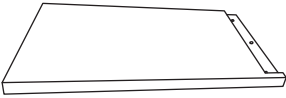
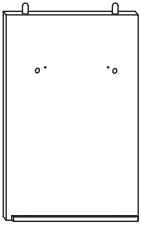
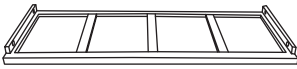



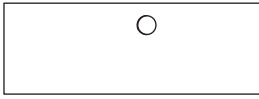
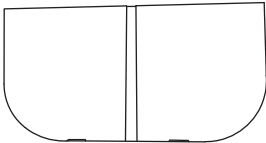
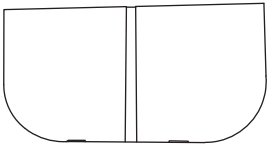
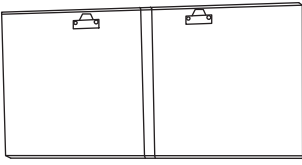
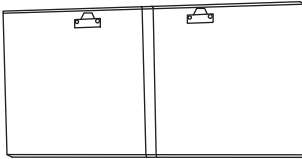

# ASSEMBLY INSTRUCTION



# Part List

Please check you have all the panels listed below

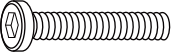



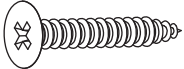


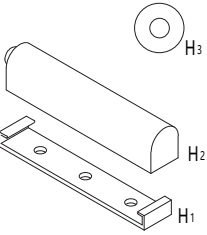
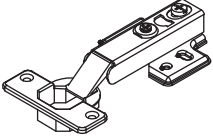
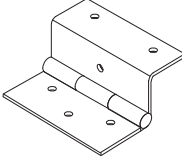
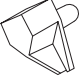
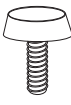

**Note:** The quantities below are the correct amount to complete the assembly. In some cases more fittings may be supplied than are required.

<p>①</p>  <p>Top Panel 1 PC</p>	<p>②</p>  <p>Left Side Top plate 1 PC</p>	<p>③</p>  <p>Right Side Top plate 1 PC</p>	<p>④</p>  <p>Left Side Board 1 PC</p>
<p>⑤</p>  <p>Right Side Board 1 PC</p>	<p>⑥</p>  <p>Middle Panel 1 PC</p>	<p>⑦</p>  <p>Bottom Board 1 PC</p>	<p>⑧</p>  <p>Middle Leg 1 PC</p>
<p>⑨</p>  <p>Top Left and Right Back Board 2 PCS</p>	<p>⑩</p>  <p>Back Board Buckle 2 PCS</p>	<p>⑪</p>  <p>Lower Left and Right Back Board 2 PCS</p>	<p>⑫</p>  <p>Door Panel 1 PC</p>
<p>⑬</p>  <p>Door Panel 1 PC</p>	<p>⑭</p>  <p>Door Panel 1 PC</p>	<p>⑮</p>  <p>Door Panel 1 PC</p>	<p>⑯</p>  <p>Shelf Panel 2 PCS</p>

# Hardware list

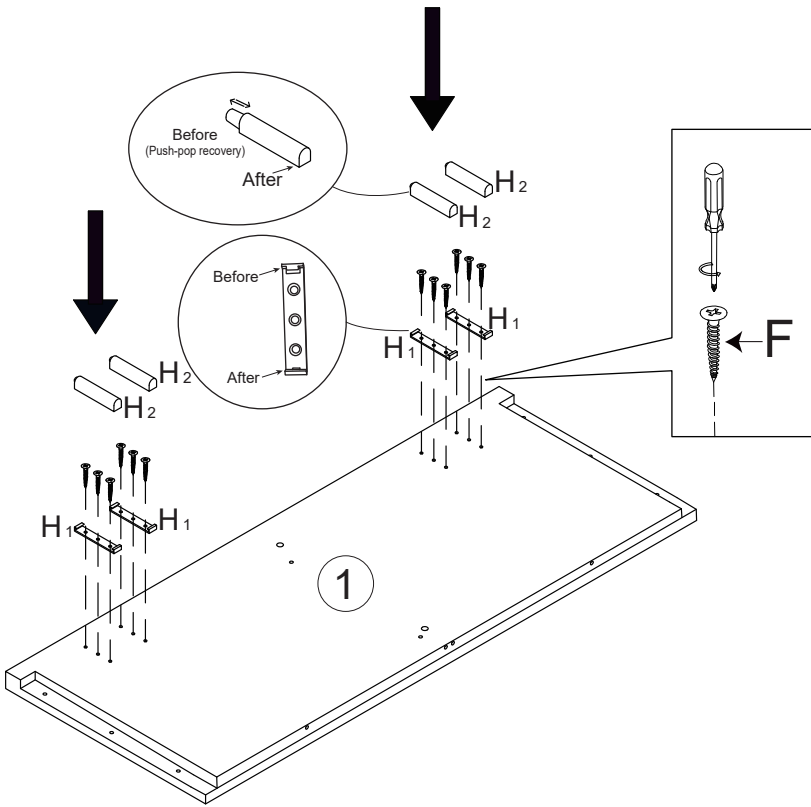
Please check you have all the panels listed below

**Note:** The quantities below are the correct amount to complete the assembly. In some cases more fittings may be supplied than are required.

<p><b>A</b></p>  <p>6*25mm Screw x 20+1</p>	<p><b>B</b></p>  <p>B x 20+1</p>	<p><b>C</b></p>  <p>C x 20+1</p>	<p><b>D</b></p>  <p>D x 1</p>
<p><b>E</b></p>  <p>4*16mm Screw x 24+1</p>	<p><b>F</b></p>  <p>3*16mm Screw x 40+1</p>	<p><b>G</b></p>  <p>3*12mm Screw x 28+1</p>	<p><b>H</b></p>  <p>H x 4</p>
<p><b>I</b></p>  <p>I x 4</p>	<p><b>J</b></p>  <p>J x 4</p>	<p><b>K</b></p>  <p>K x 8</p>	<p><b>L</b></p>  <p>L x 5</p>
<p><b>M</b></p>  <p>M<sub>1</sub> M<sub>2</sub> M<sub>3</sub> M<sub>4</sub> M<sub>5</sub></p> <p>M x 2</p>			

# ASSEMBLY INSTRUCTION

## Step 1

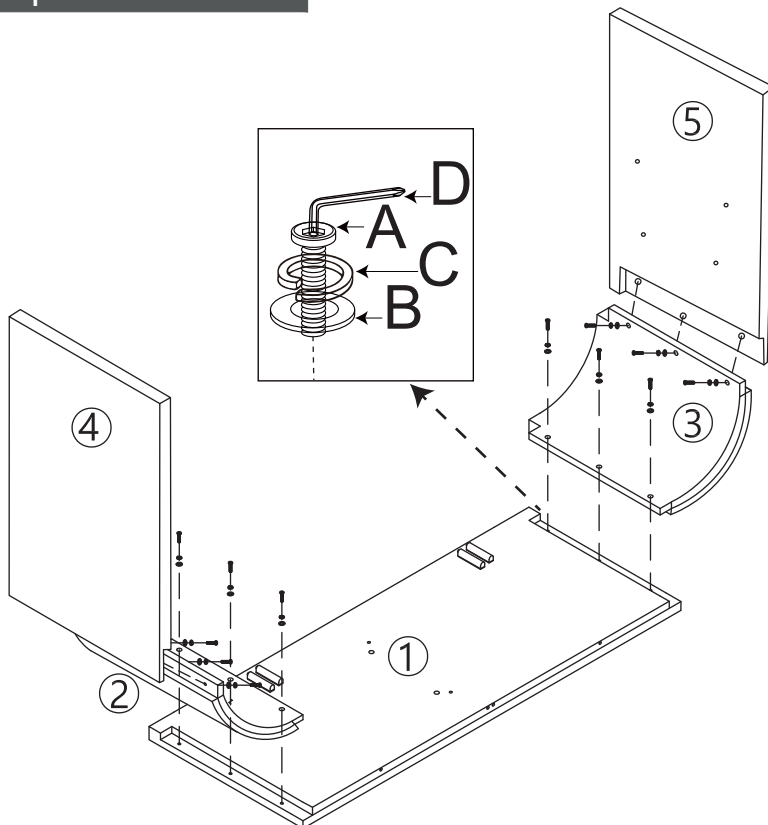


F\*12



H x 4

## Step 2



A\*12



B\*12



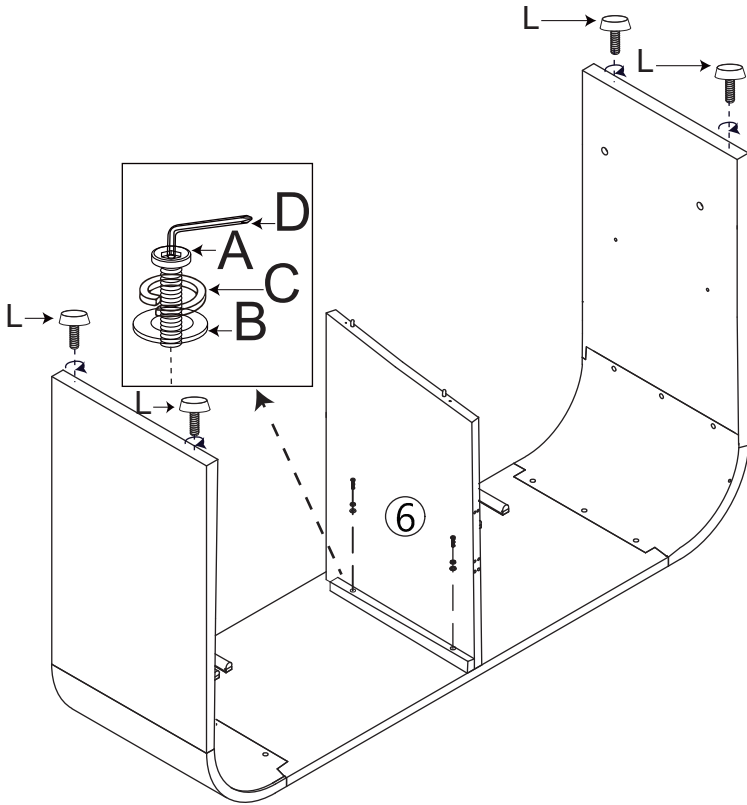
C\*12



D\*1

# ASSEMBLY INSTRUCTION

## Step 3



**L**



L\*4

**A**



A\*2

**B**



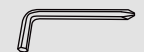
B\*2

**C**



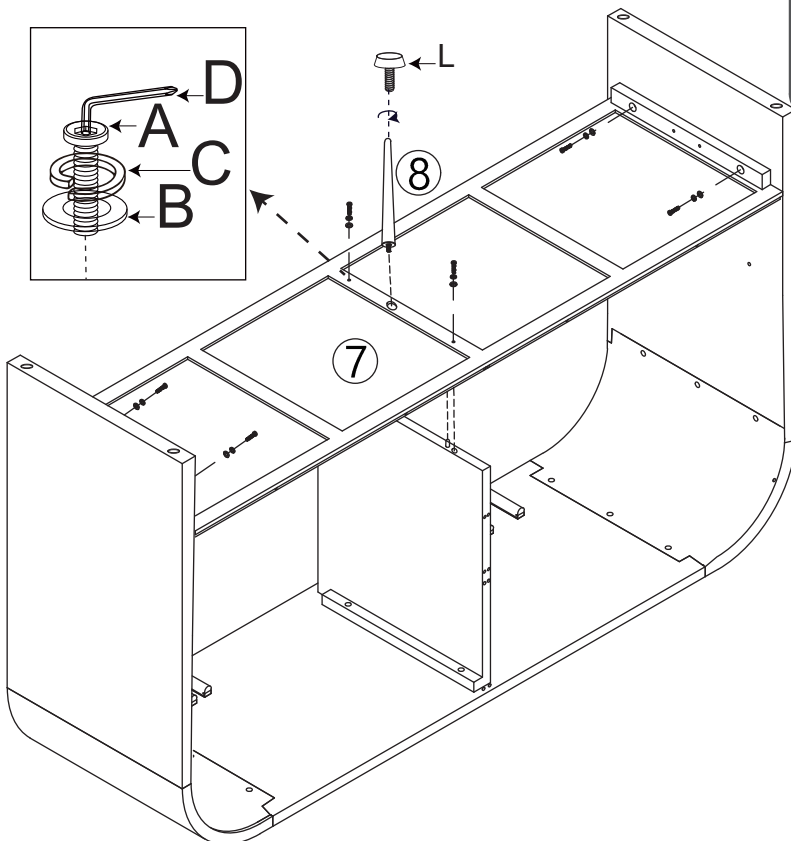
C\*2

**D**



D\*1

## Step 4



**L**



L\*1

**A**



A\*6

**B**



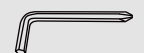
B\*6

**C**



C\*6

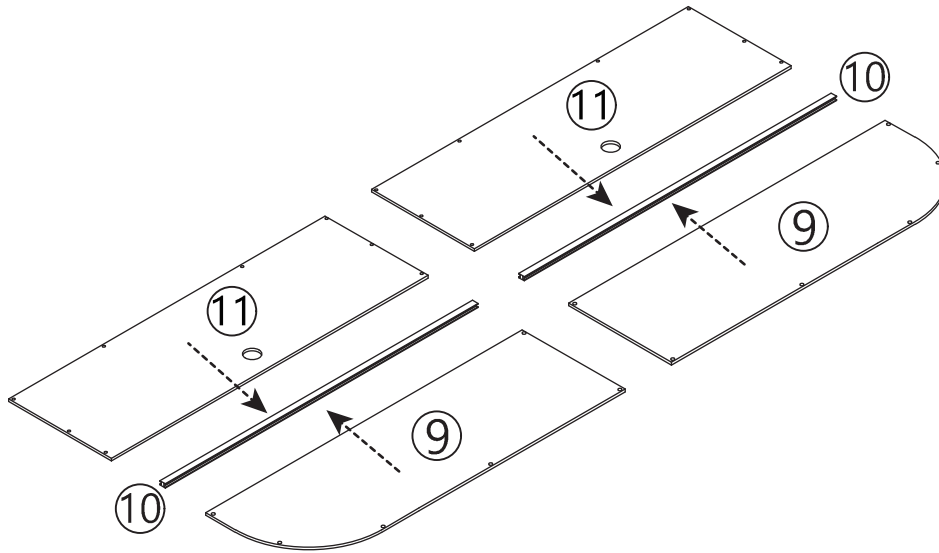
**D**



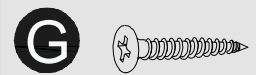
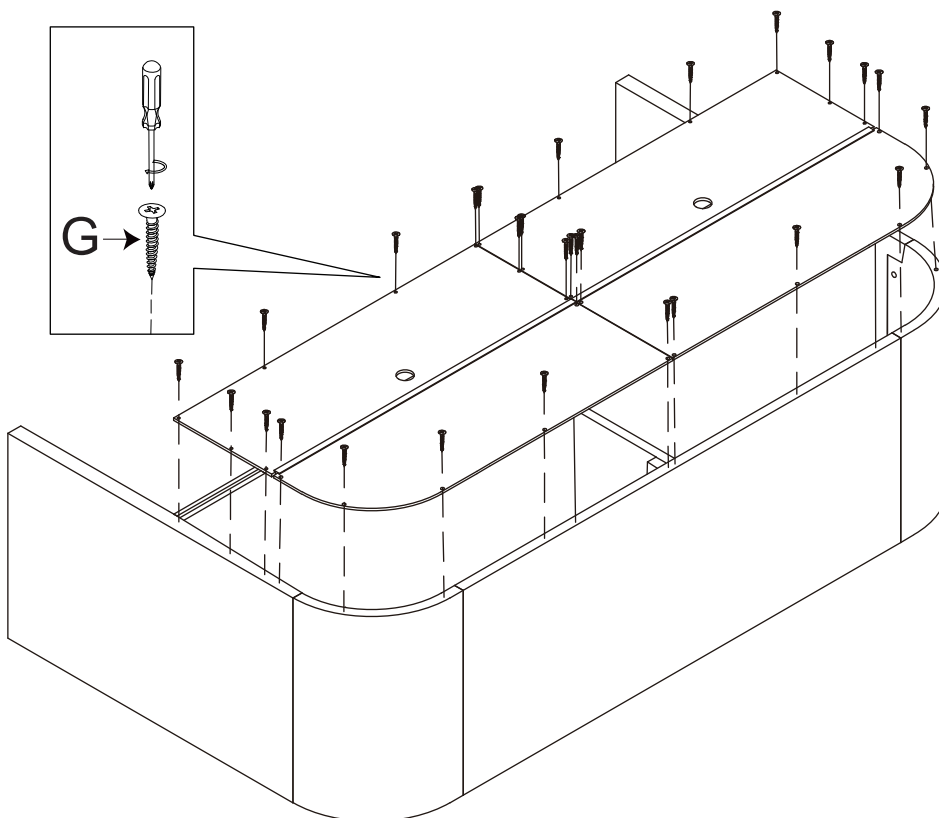
D\*1

# ASSEMBLY INSTRUCTION

## Step 5



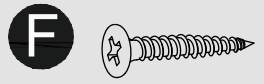
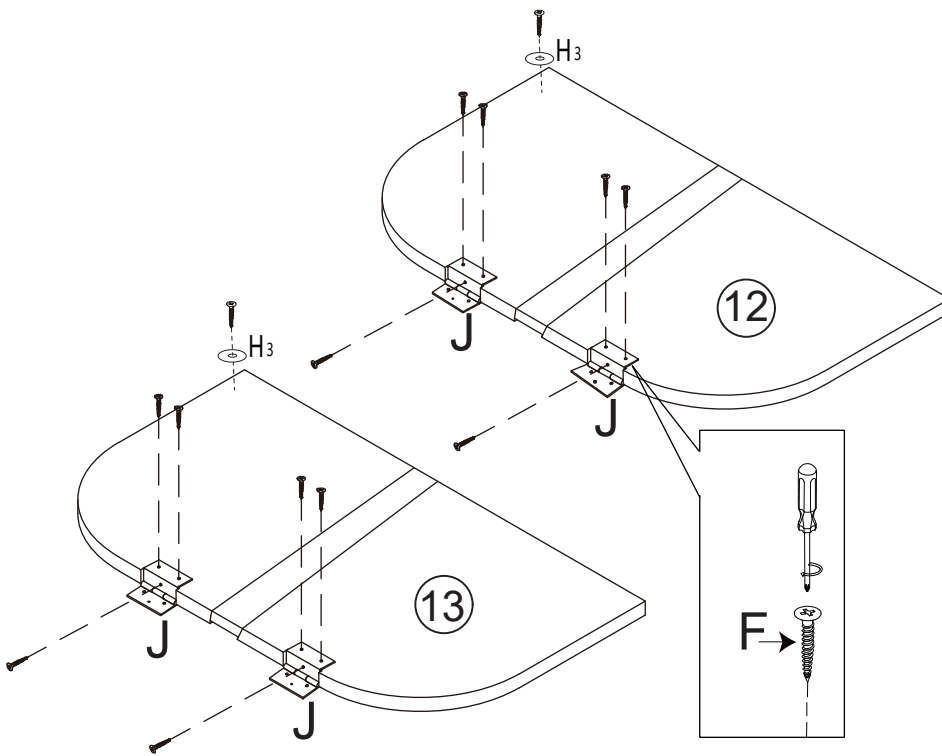
## Step 6



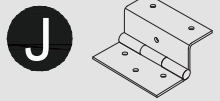
G\*28

# ASSEMBLY INSTRUCTION

## Step 7



F\*14

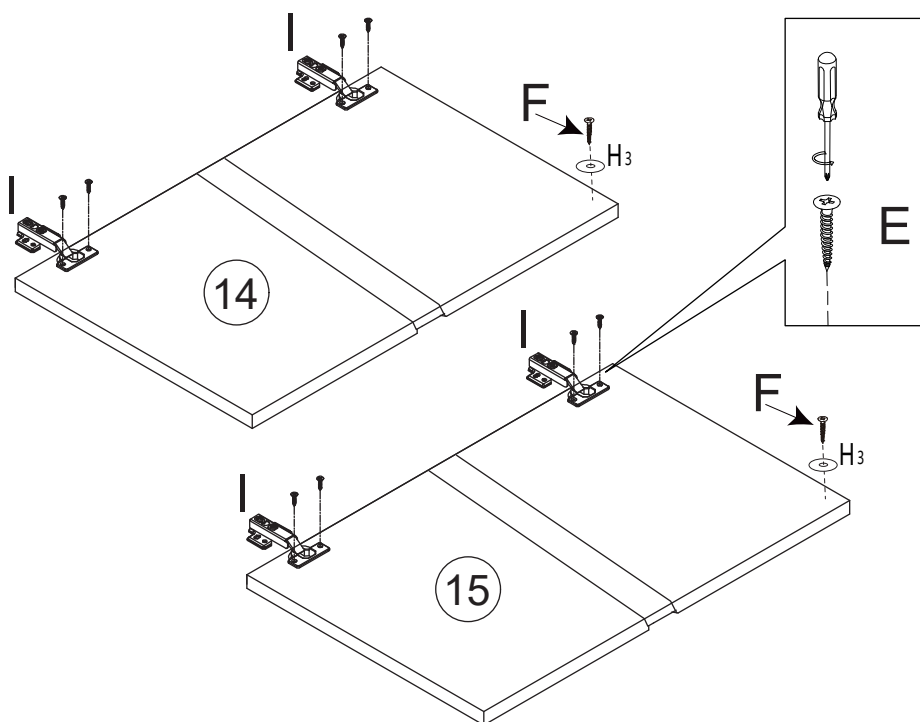


J\*4

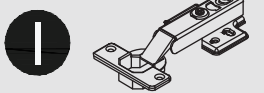


H3\*2

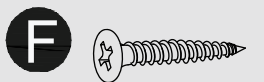
## Step 8



E\*8



I\*4



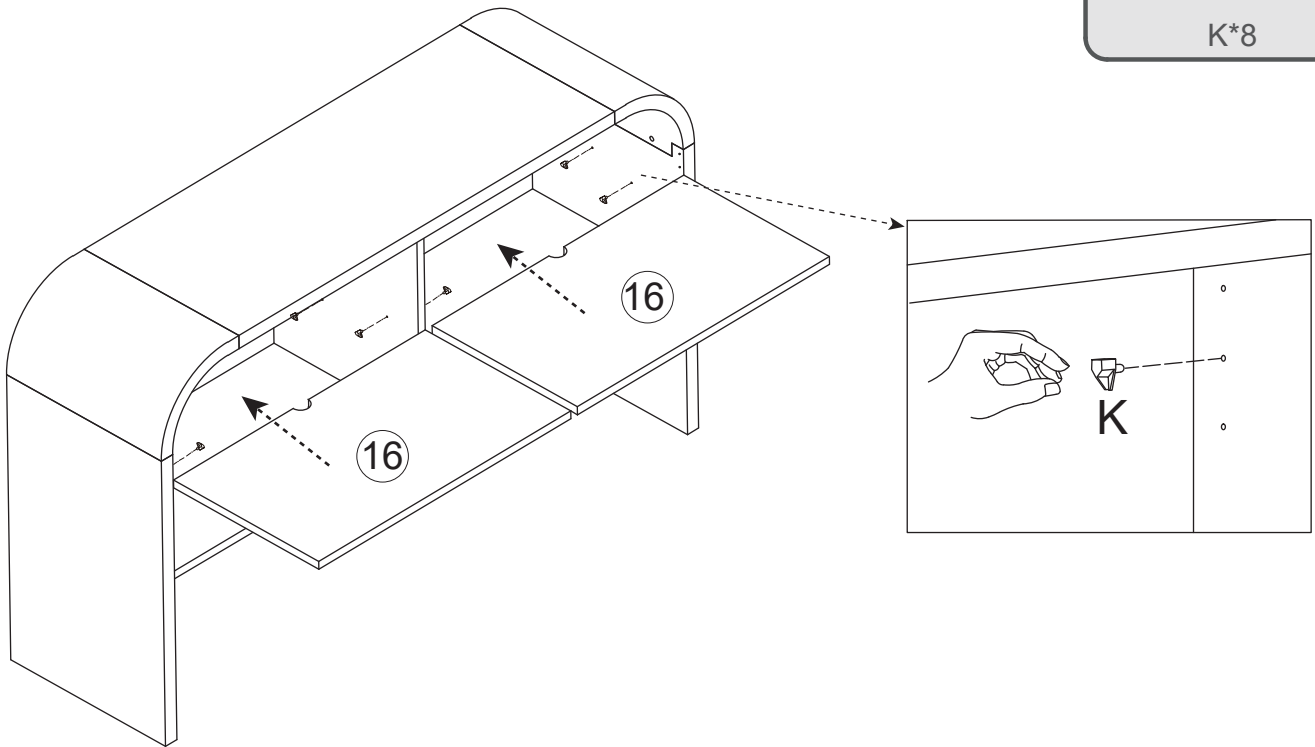
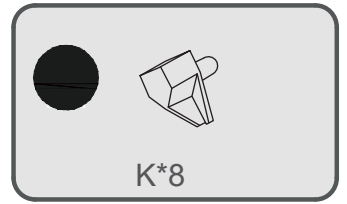
F\*2



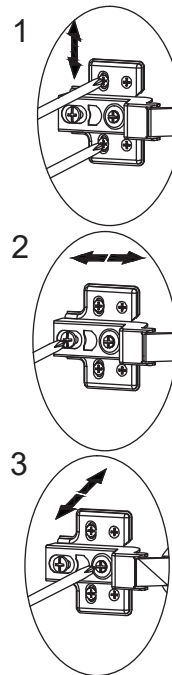
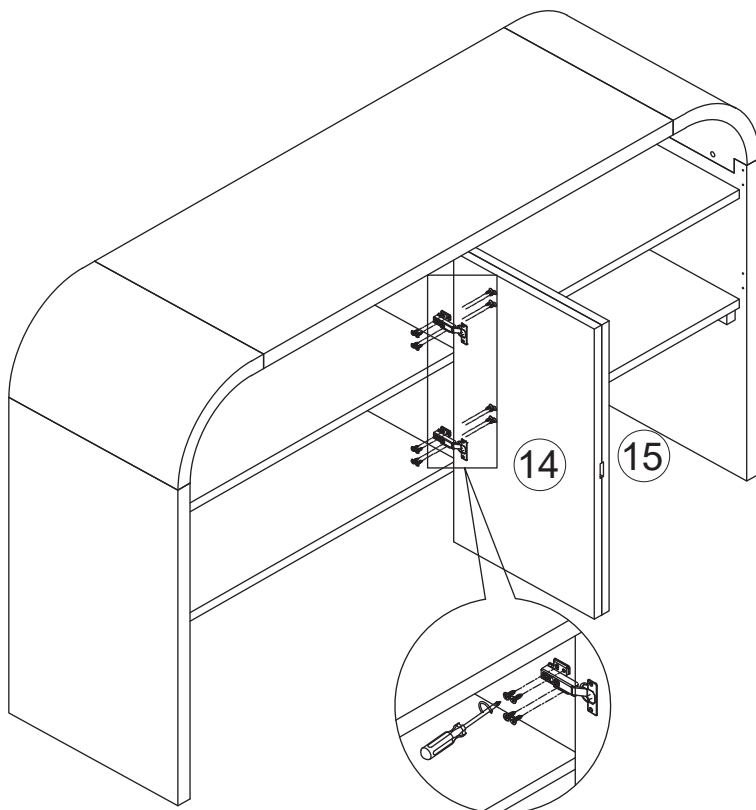
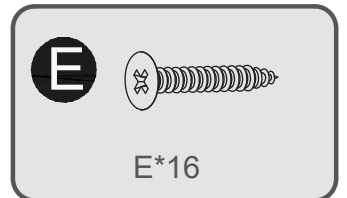
H3\*2

# ASSEMBLY INSTRUCTION

## Step 9

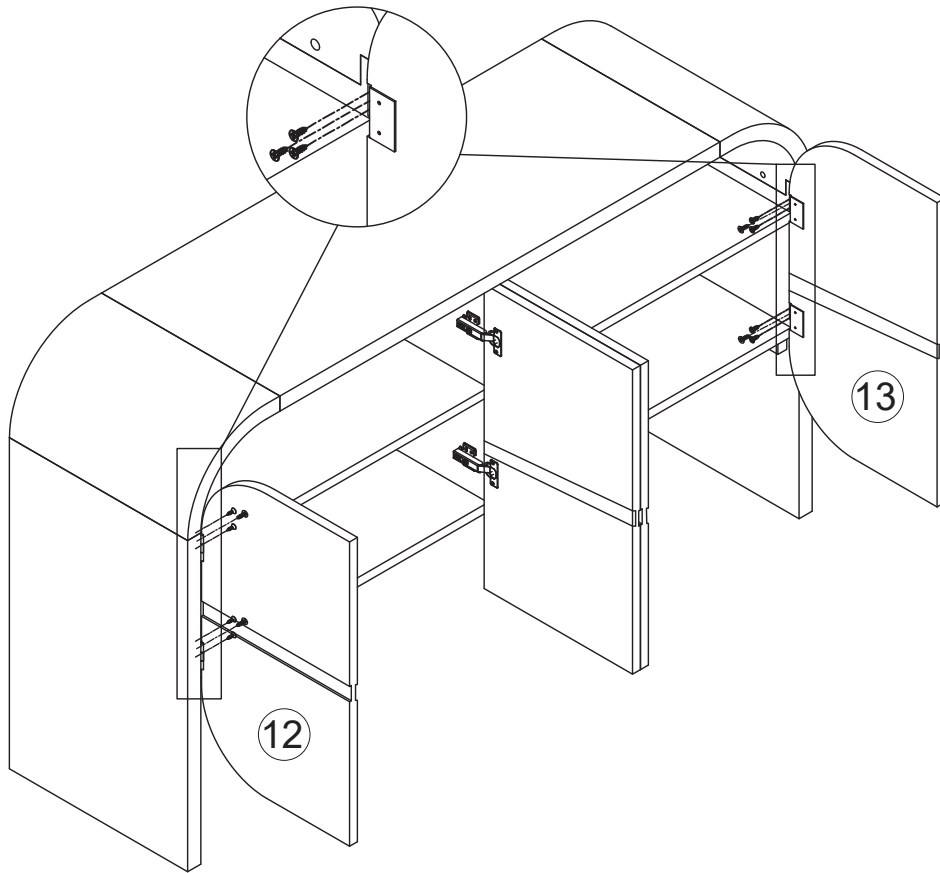


## Step 10



# ASSEMBLY INSTRUCTION

## Step 11



**F**

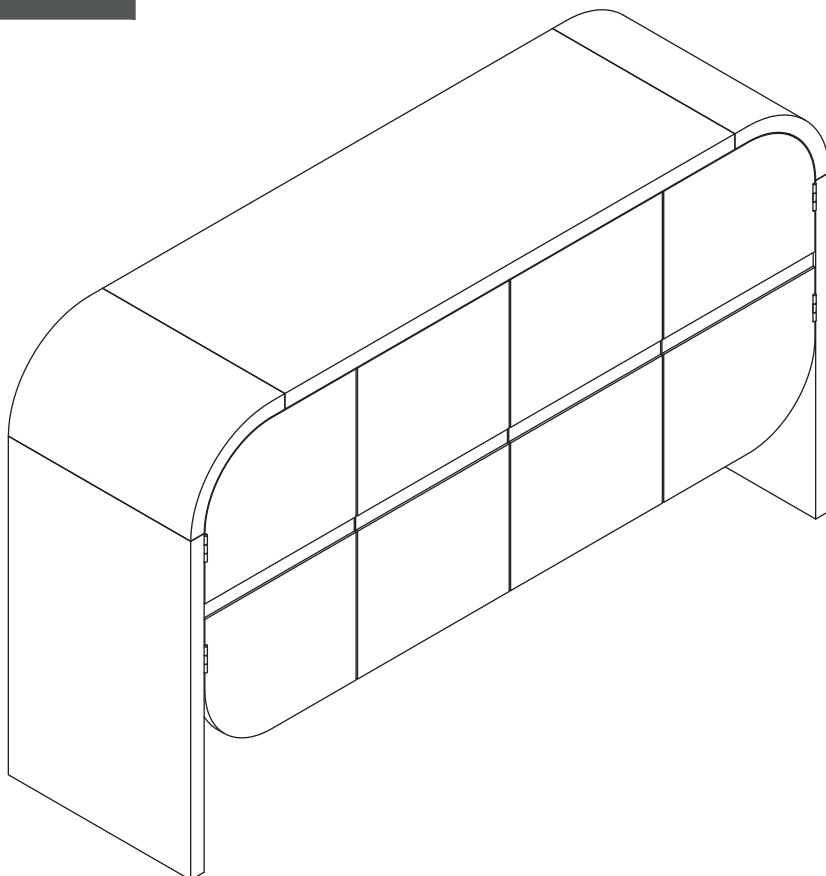


F\*12

C

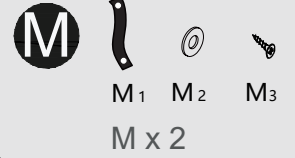
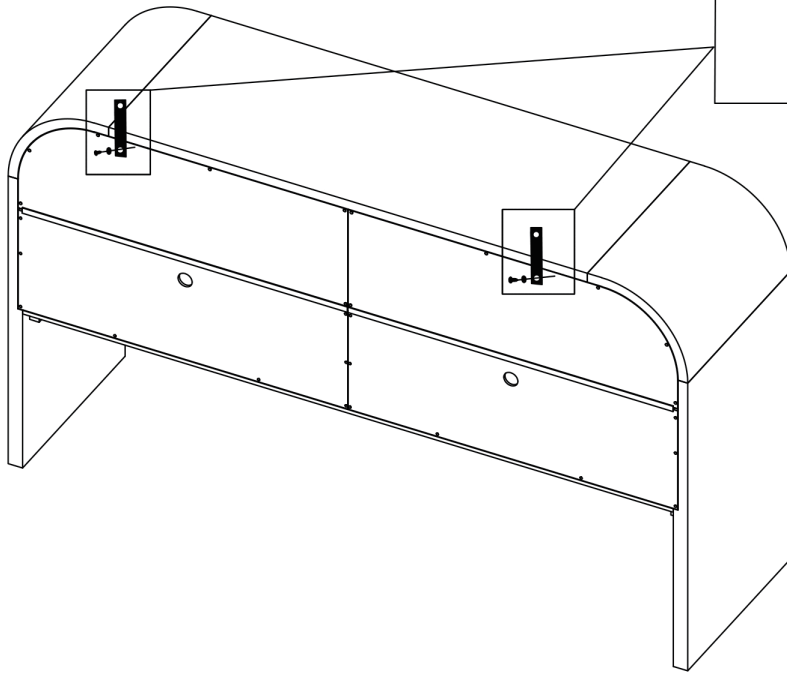
D

## Step 12

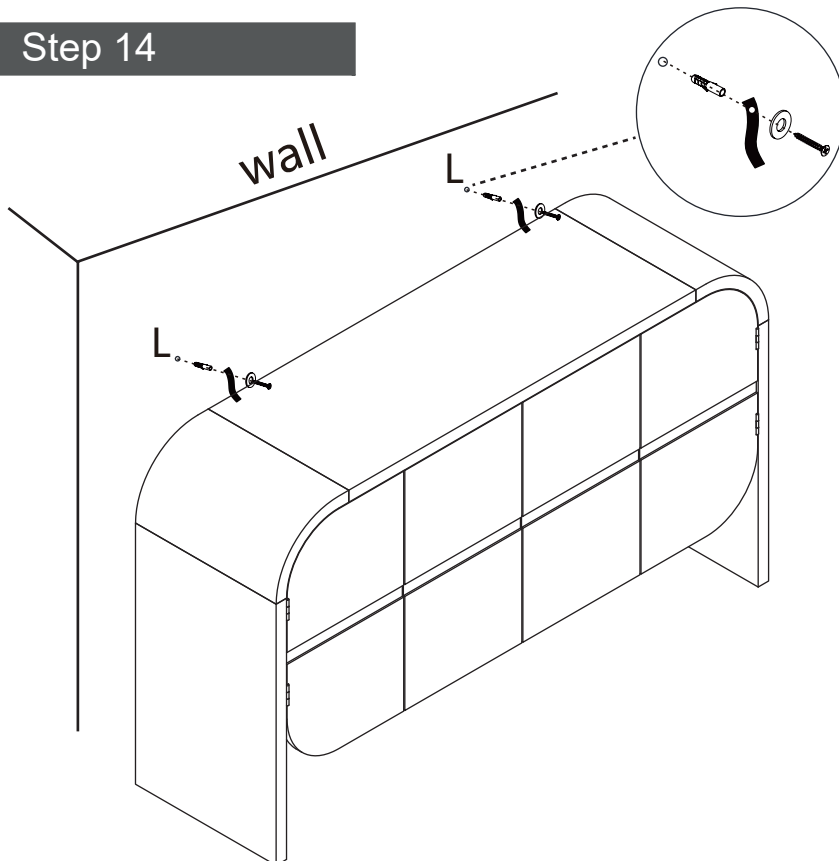


# ASSEMBLY INSTRUCTION

## Step 13



## Step 14



Assembly is complete.