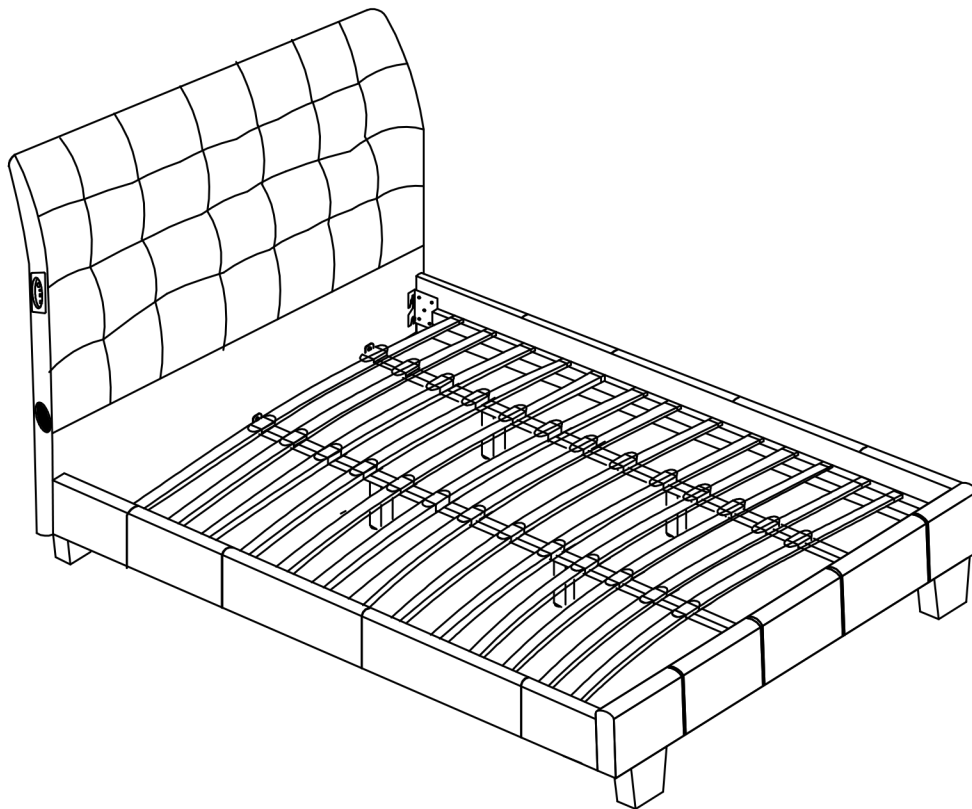


Assembly Instructions



ASSEMBLY RATING

The Assembly Rating is a 5-point system that shows the degree of effort needed in assembling a specific product (with 1 being easy and 5 being difficult). For some products, two persons are recommended.

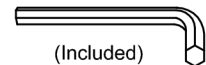
EASY



DIFFICULT

Tools Required For Assembly:

Allen Wrench



(Included)

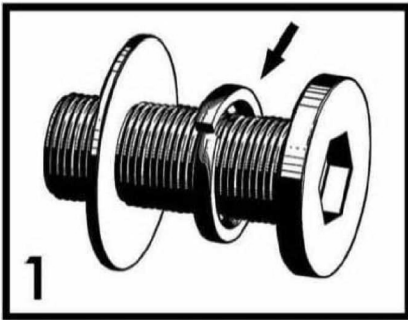


2 PERSONS RECOMMENDED

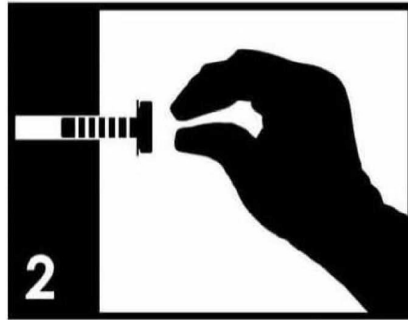
ASSEMBLY & CARE ADVICE

FOR YOUR FURNITURE TO LAST, CORRECT ASSEMBLY AND PROPER MAINTENANCE ARE NECESSARY. PLEASE FOLLOW THE INFORMATION PROVIDED BELOW TO FULLY ENJOY YOUR FURNITURE.

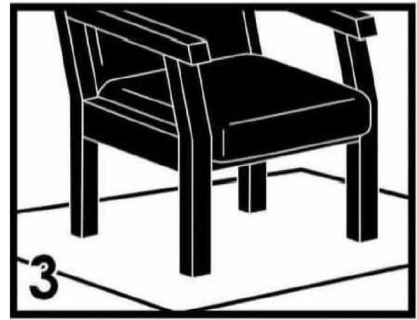
BASIC ASSEMBLY TECHNIQUES



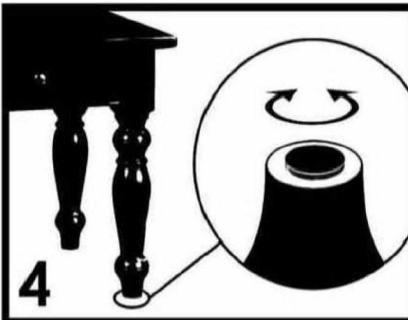
When lock or spring washer is used in an assembly, please make sure the lock or spring washer is placed between the larger flat washer and the head of the screw or bolt.



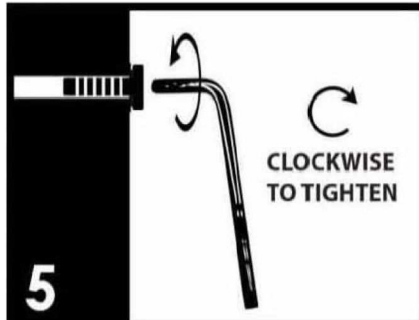
Position each part correctly and insert screws or bolts into their respective holes by hand tighten or using the proper hand tool. Only tighten when step is completed or when instructed to do so.



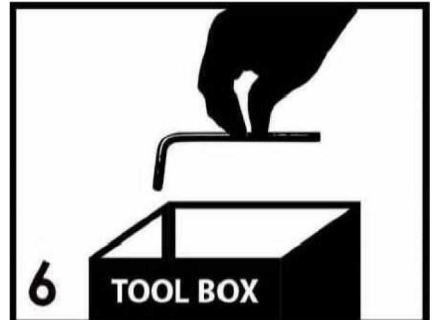
Use cardboard or carpet area when assembling furniture to prevent scratches. Make sure the furniture rests on a flat and level surface with each leg evenly touching the floor.



Some furniture comes with height adjustment knobs underneath each leg. To lower or to raise each leg, you need to turn clockwise or counterclockwise, respectively.



Make sure all parts are properly aligned, then use the appropriate hand tool to completely tighten the bolts or screws. Do not use power tools and do not overtighten.

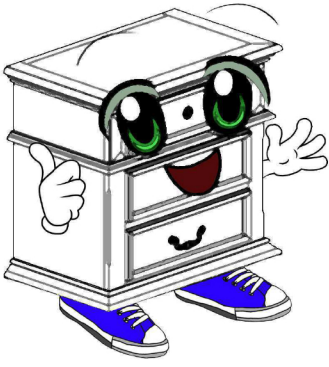


Save the instructions and store the Allen wrench or any supplied tool for later maintenance. After two weeks, check and tighten any loose hardware and repeat again every six months thereafter.

IT IS THE USER'S RESPONSIBILITY TO MAINTAIN THE FURNITURE. THE HARDWARE MAY LOOSEN OVER TIME AND MAY CAUSE THE FURNITURE TO BE WOBBLY AND UNABLE TO SUPPORT ITS INTENDED WEIGHT CAPACITY. THIS MAY LEAD TO COLLAPSE AND MAY CAUSE SERIOUS INJURY.



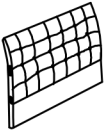
FAILURE TO FOLLOW THE GUIDELINES ABOVE MAY RESULT IN INJURY AND/OR PROPERTY DAMAGE.



Before you begin, please read Page 2 of "Assembly and Care Advice".

And remember, do not tighten until each step is completed or instructed.

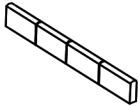
Parts List



#1 x 1pc
Headboard



#2 x 2pcs
Side Rail



#3 x 1pc
Footboard



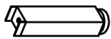
#4 x 2pcs
Central Support Rail



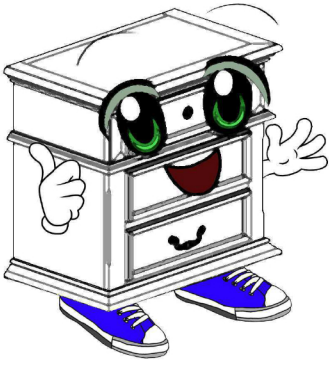
#5 x 4pcs
HB/FB Leg



#6 x 39pcs
Slat



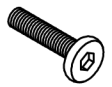
#7 x 4pcs $\text{\O}1/4$ "
Support Leg
250x30x20mm



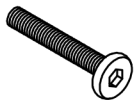
Before you begin, please read Page 2 of "Assembly and Care Advice".

And remember, do not tighten until each step is completed or instructed.

Hardware List



#A x 20pcs
Bolt 5/16" x 1-1/2"



#B x 8pcs
Bolt 5/16" x 3"



#C x 28pcs
Lock Washer



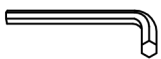
#D x 28pcs
Flat Washer



#E x 26pcs
Center Connector



#F x 26pcs
End Cap



#G x 1pc
Allen Wrench



#H x 1pc
Cable A



#I x 1pc
Cable B

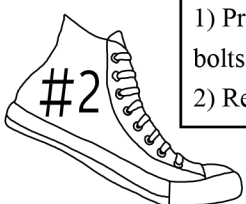
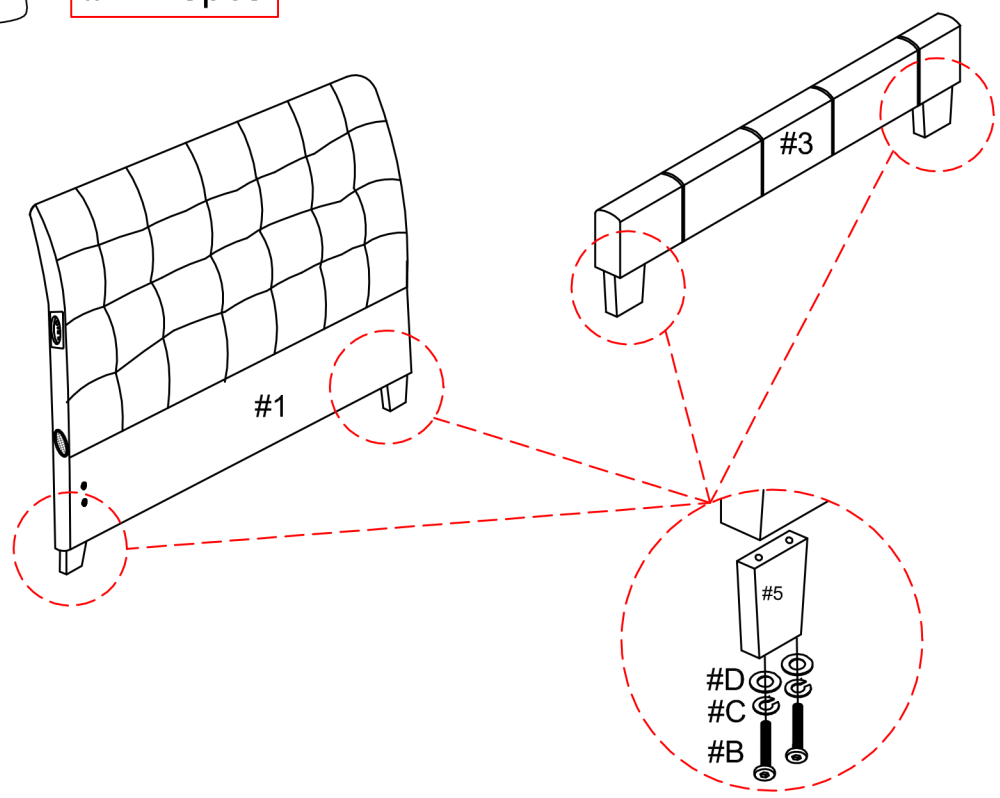


#J x 1pc
Power line



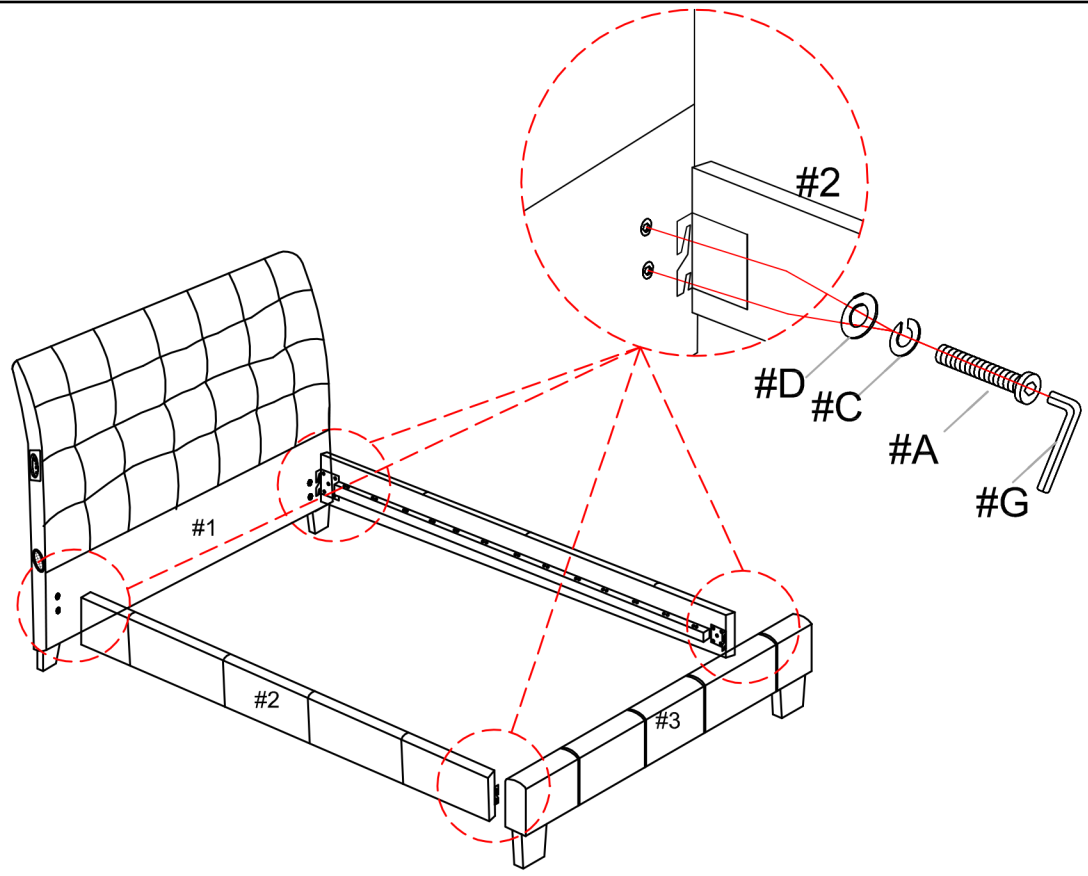
#B x 8pcs
 #C x 8pcs
 #D x 8pcs

Prepare 8 bolts assembly by inserting lock washer (#C), then flat washer (#D) onto bolts (#B). Align HB/FB legs (#5) to the bottom holes of the headboard (#1) and footboard (#3). Secure by using bolts (#B).



#A x 8pcs
 #C x 8pcs
 #D x 8pcs

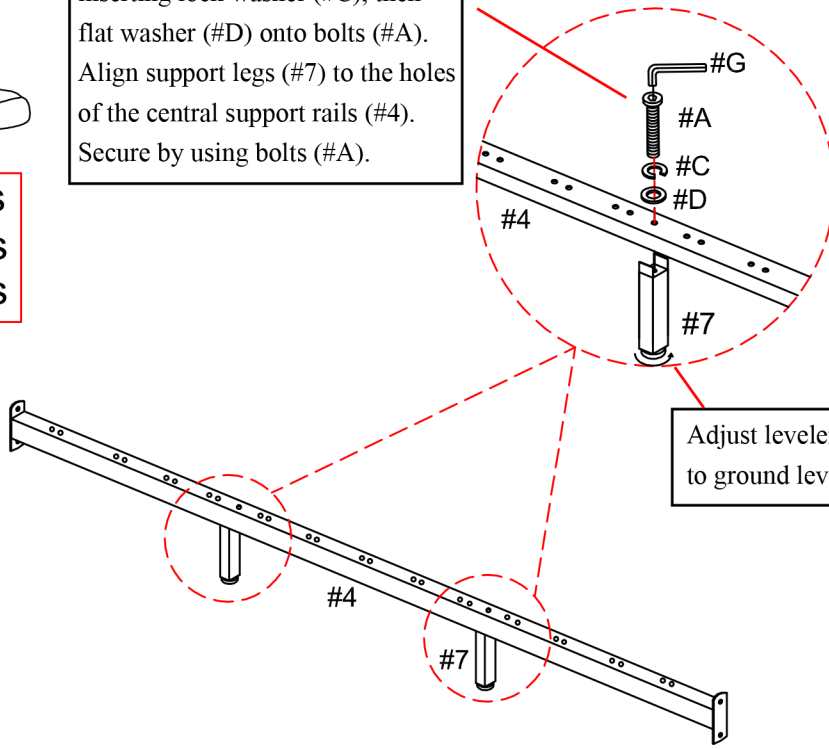
1) Prepare 8 bolts assembly by inserting lock washer (#C), then flat washer (#D) onto bolts (#A). Insert and screw bolts (#A) to the holes of the headboard (#1) and footboard (#3) half way in.
 2) Rest the hooks of the side rails (#2) tot he bolts (#A), then fully secure the side rails (#2) by tightening bolts (#A).





Prepare 4 bolts assembly by inserting lock washer (#C), then flat washer (#D) onto bolts (#A). Align support legs (#7) to the holes of the central support rails (#4). Secure by using bolts (#A).

#A x 4pcs
#C x 4pcs
#D x 4pcs

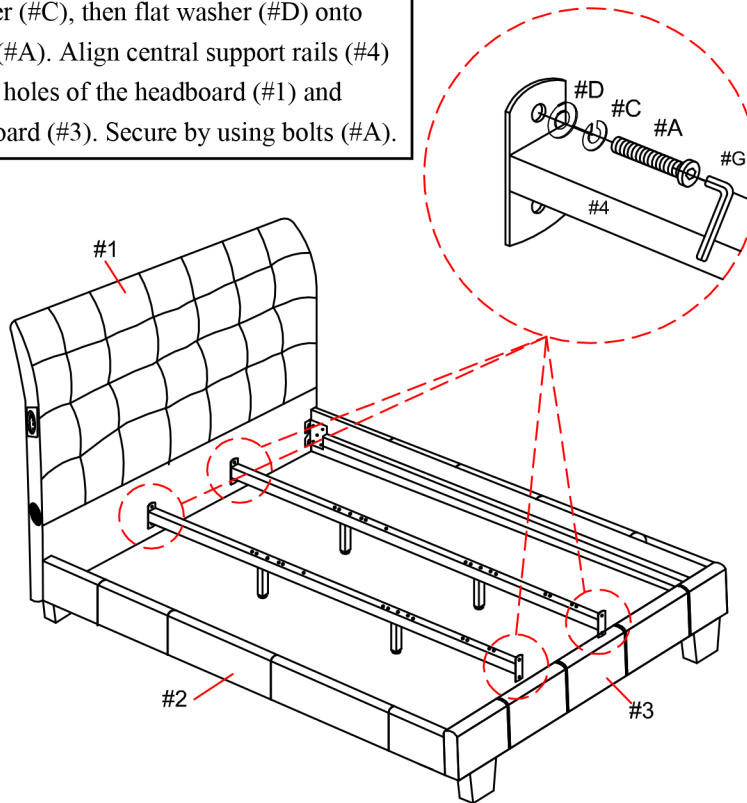


x 2



Prepare 8 bolts assembly by inserting lock washer (#C), then flat washer (#D) onto bolts (#A). Align central support rails (#4) to the holes of the headboard (#1) and footboard (#3). Secure by using bolts (#A).

#A x 8pcs
#C x 8pcs
#D x 8pcs

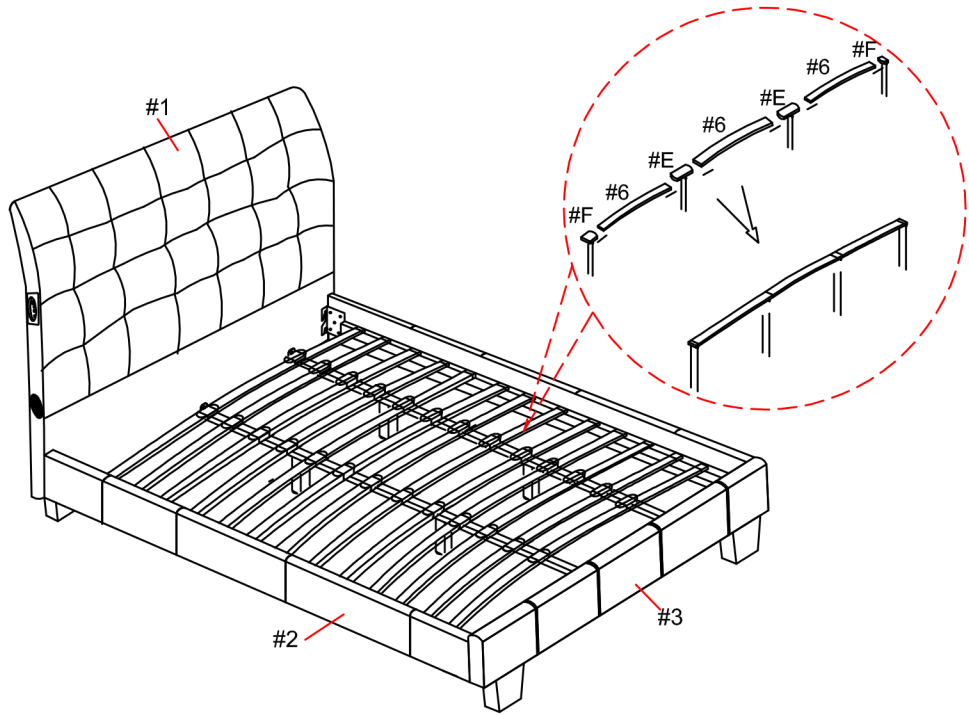




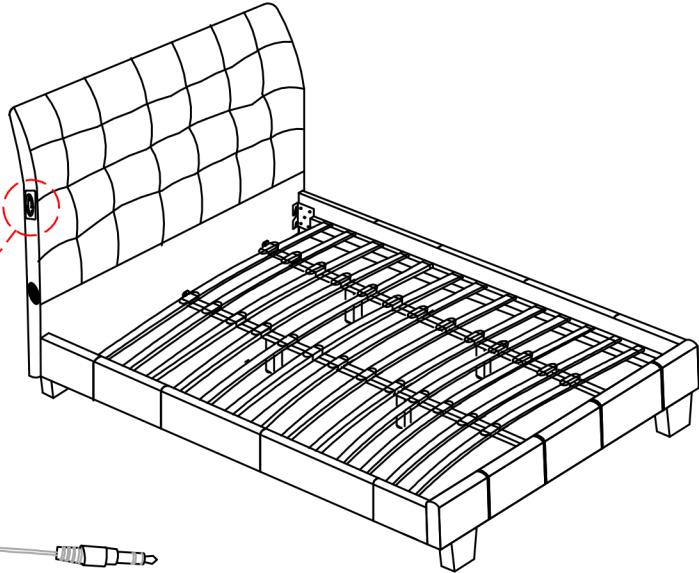
#5

Connect slats (#6) to the center connectors (#E) and end caps (#F) as shown in the picture. Attach slats to the side rails (#2) and central support rails (#4).

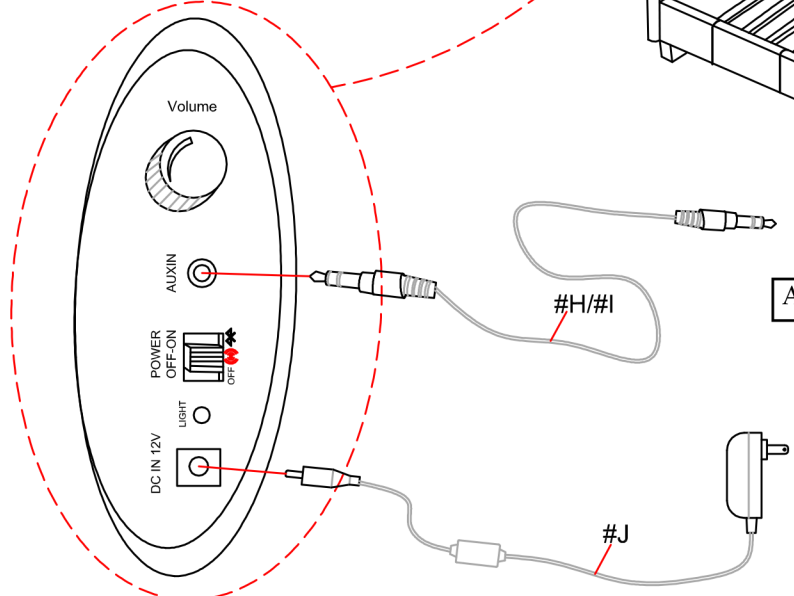
#E x 26pcs
#F x 26pcs



#6



Attach cable A or B to the AUXIN and device.



Attach power line (#J) DC IN 12V and electrical outlet.