




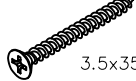

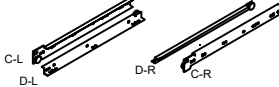


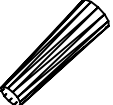
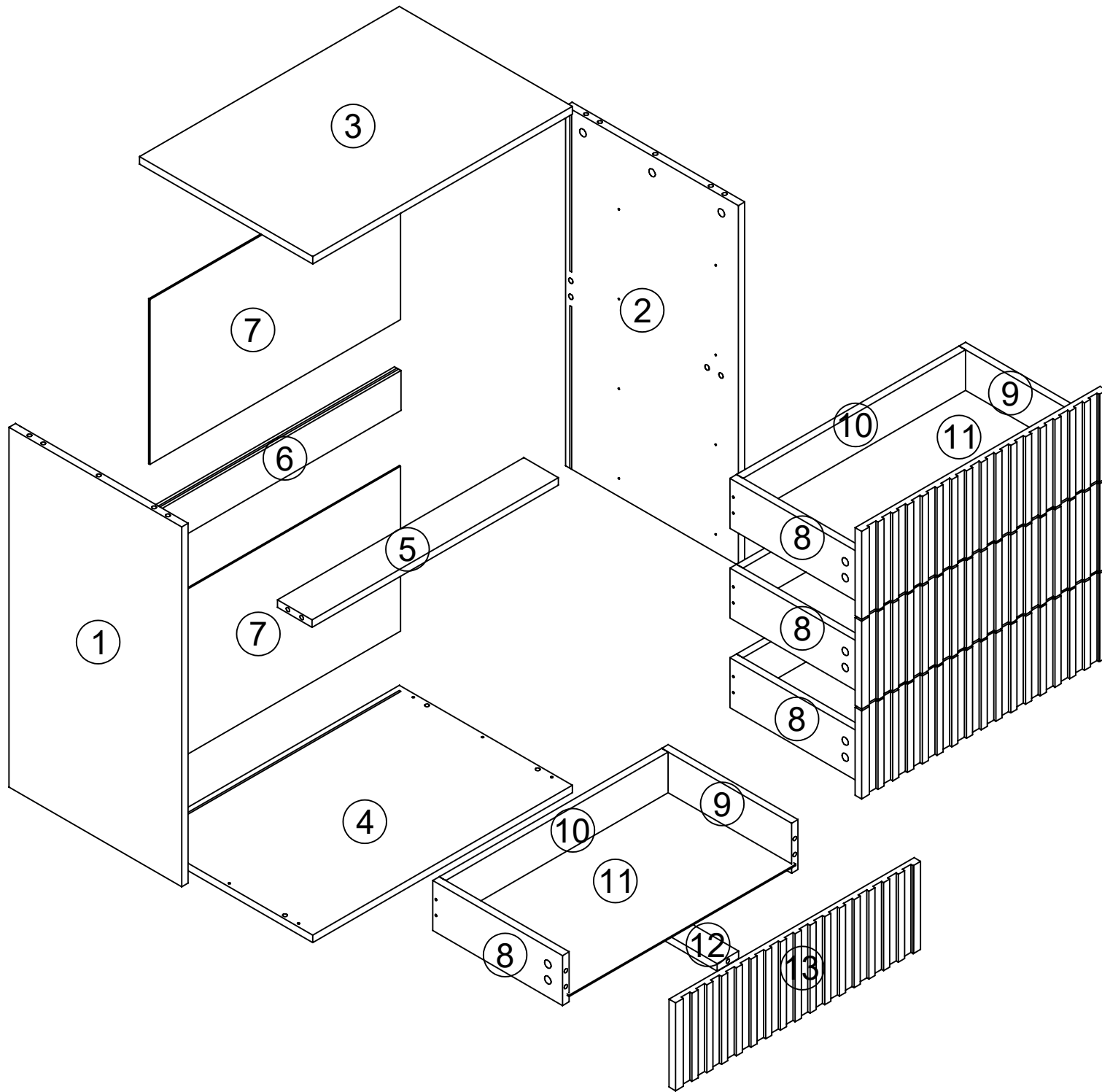
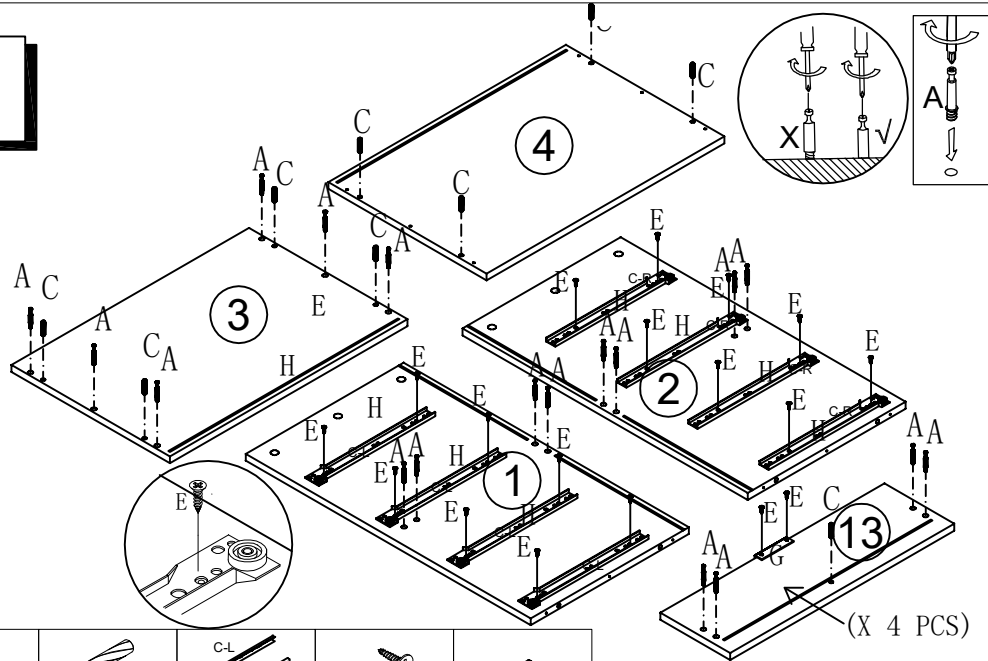


NO.	LINEDRAWING
A×30	
B×30	
C×16	 8x40
D×8	
E×68	 4x14
F×22	 3.5x35
G×4	
H×4	 C-L D-L D-R C-R
I×2	 3.5*14 3.5*35
J×4	
K×4	



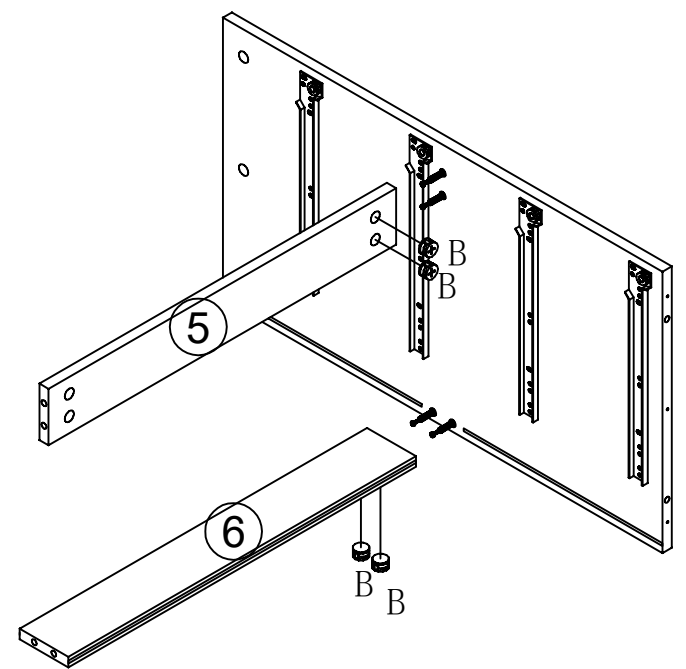
NO.	QTY.
①	1
②	1
③	1
④	1
⑤	1
⑥	1
⑦	2
⑧	4
⑨	4
⑩	4
⑪	4
⑫	4
⑬	4

1



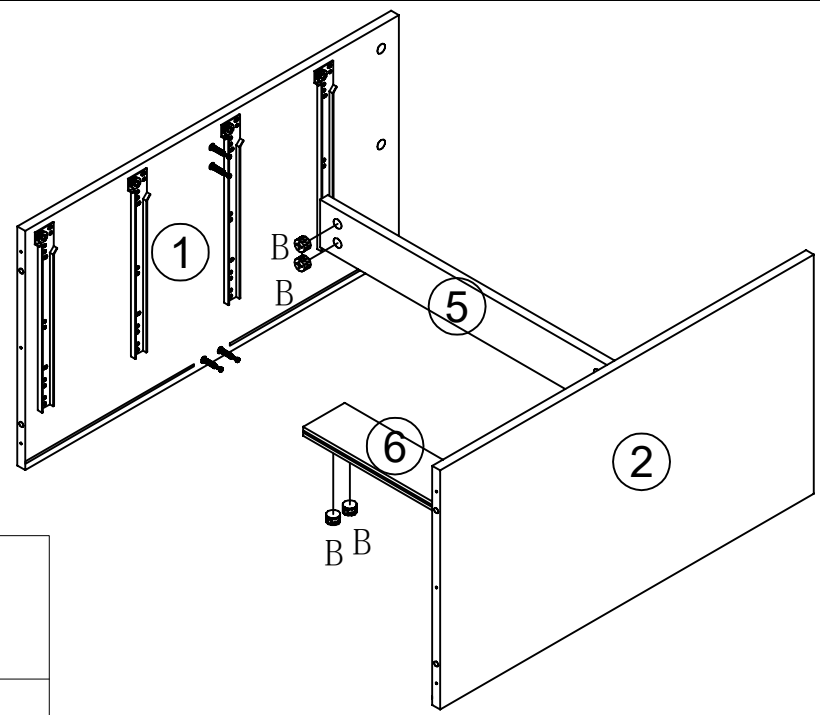
A		C		H		E		G	
	30x		12x	8x40	C-L C-R	4x	4x14		4x

2



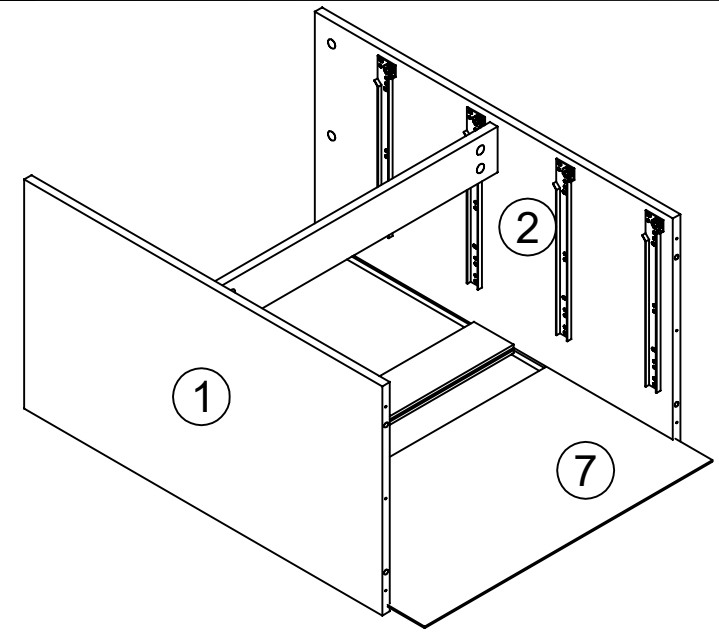
B	
	4x

3

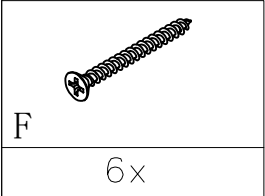
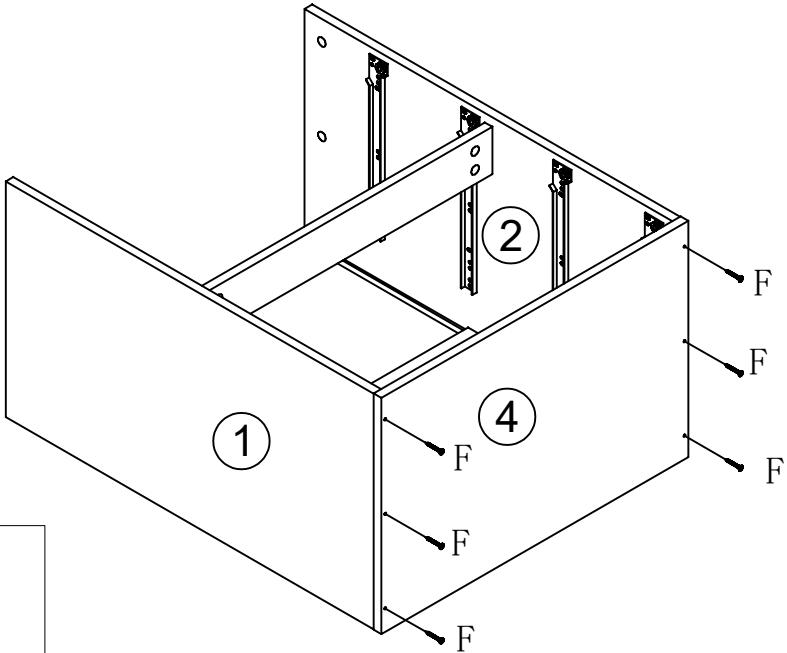


B	
	4x

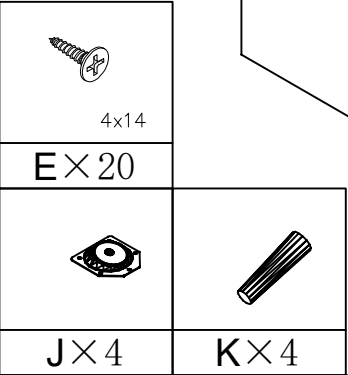
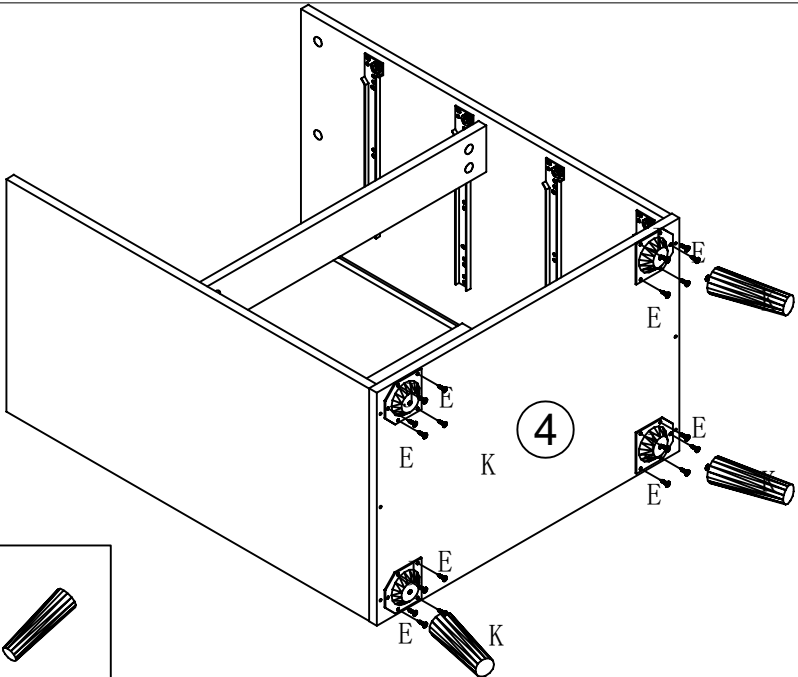
4



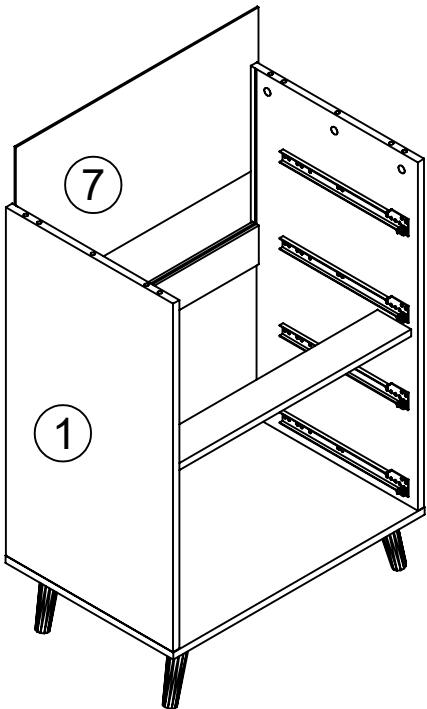
5



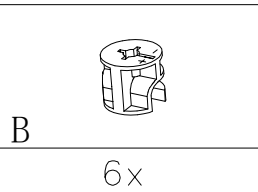
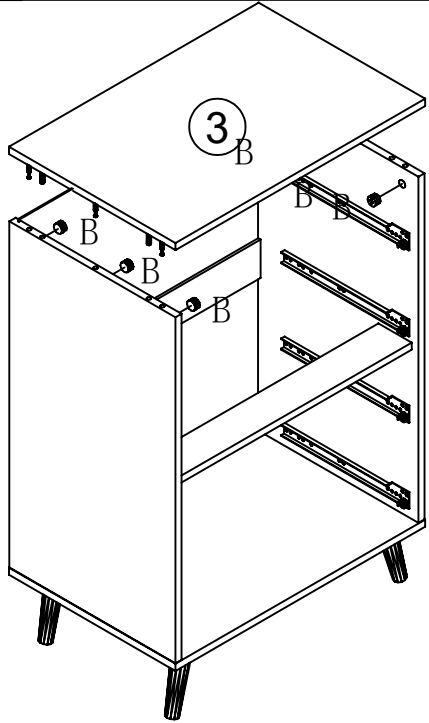
6



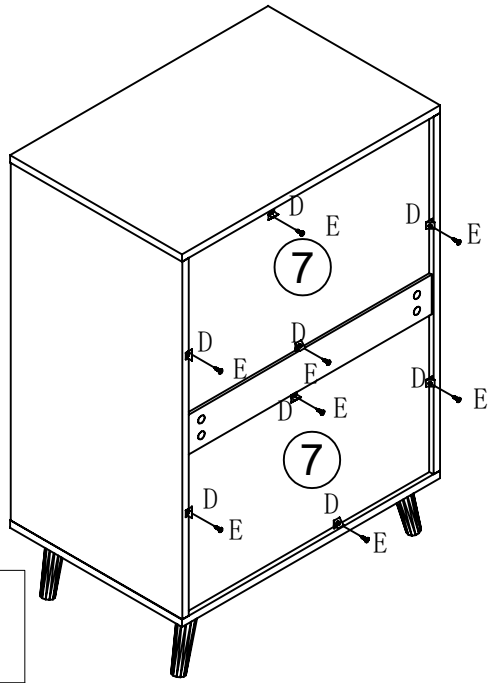
7


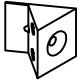


8

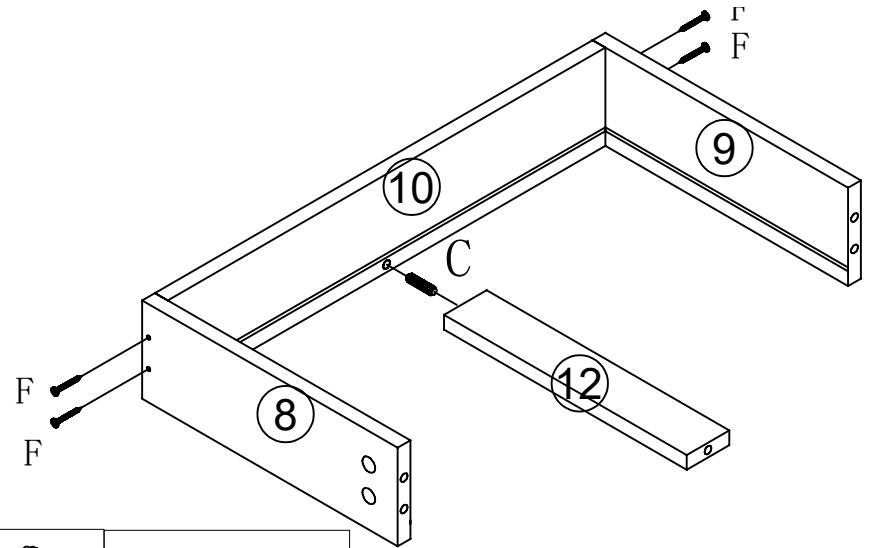



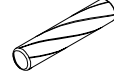
9



	
E 4*14mm 8x	D 8x

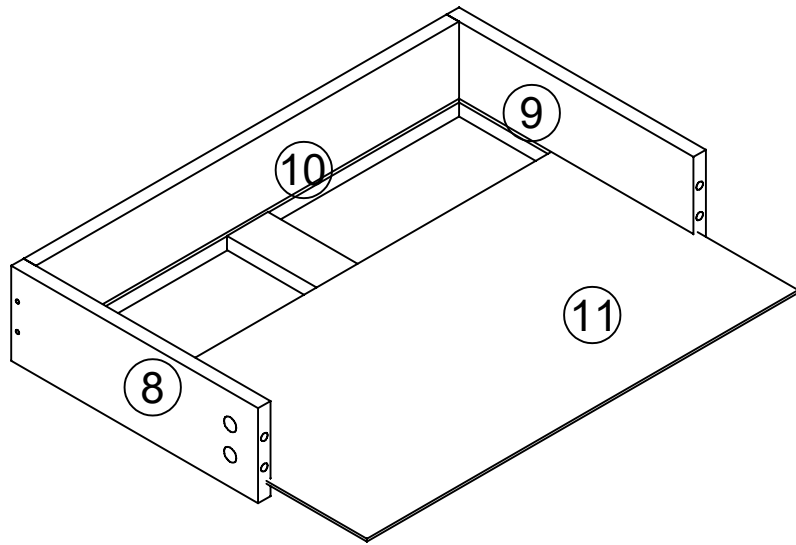
10



	
F 16x	C 8x40 4x

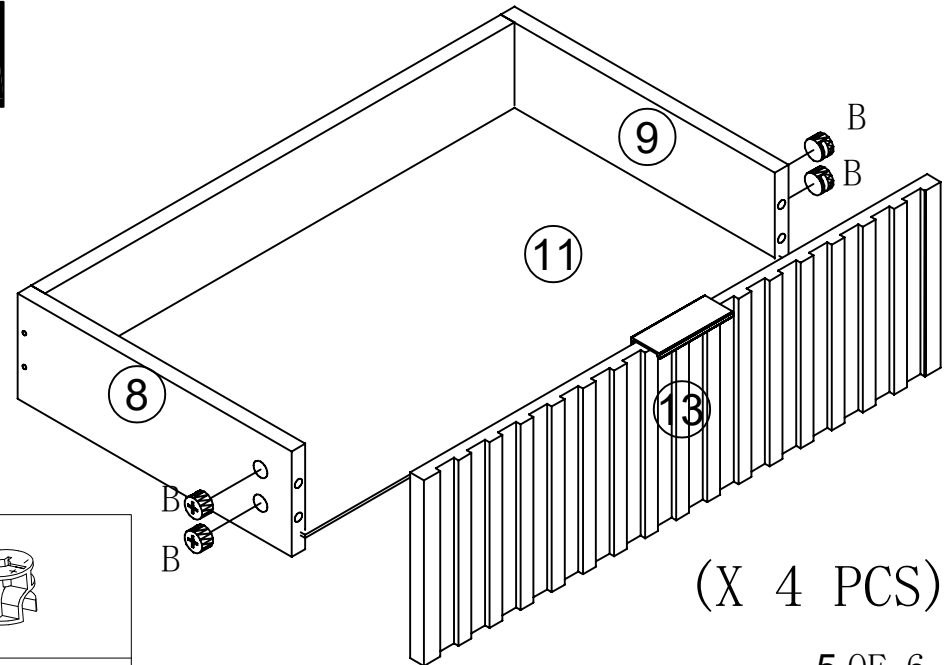
(X 4 PCS)


11



(X 4 PCS)

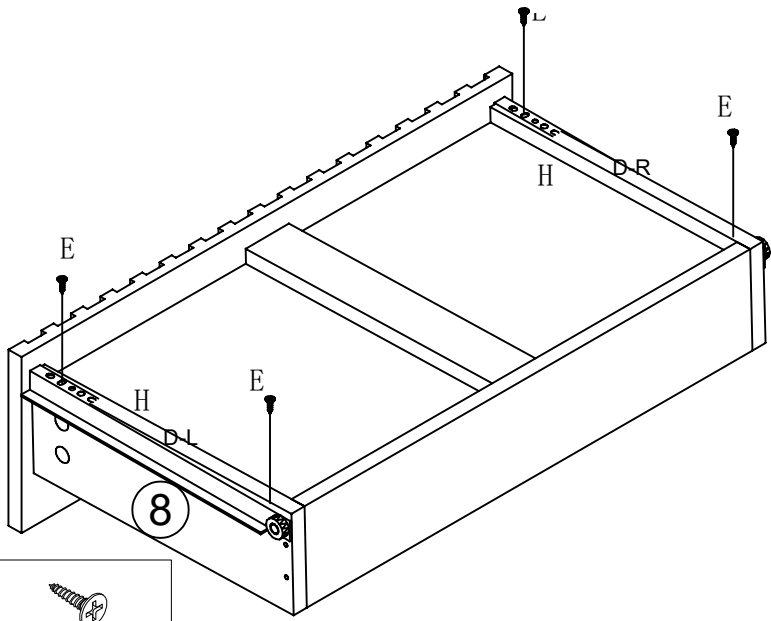
12

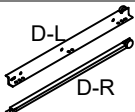




B 16x

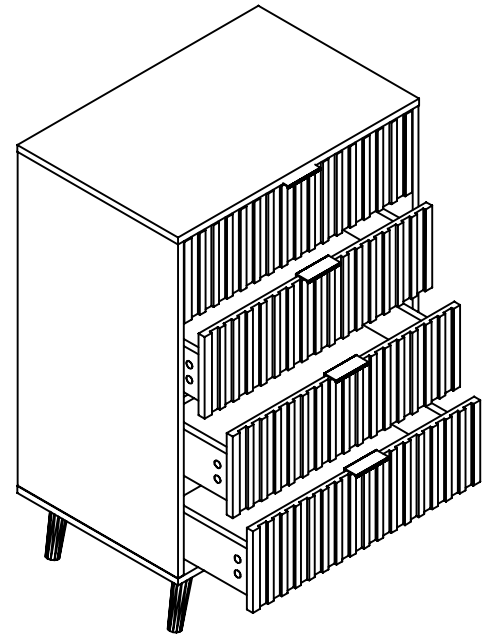
(X 4 PCS)

13

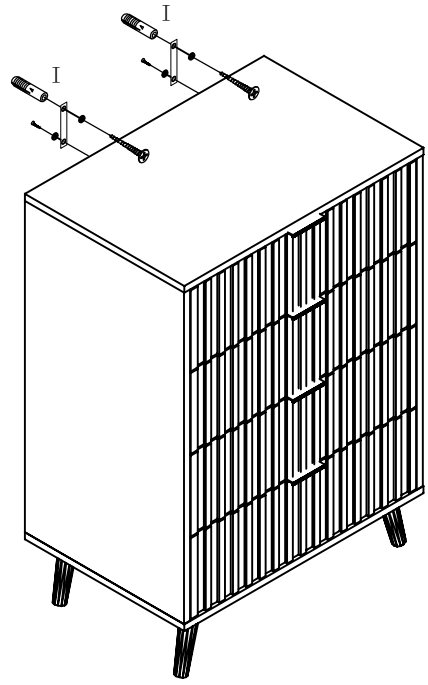



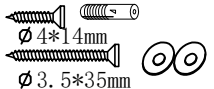
 <p>D-L D-R</p>	 <p>E 3.5x14</p>
<p>H 4x</p>	<p>E 16x</p>

14



15




 <p>Ø 4*14mm Ø 3.5*35mm</p>
<p>I x 2</p>