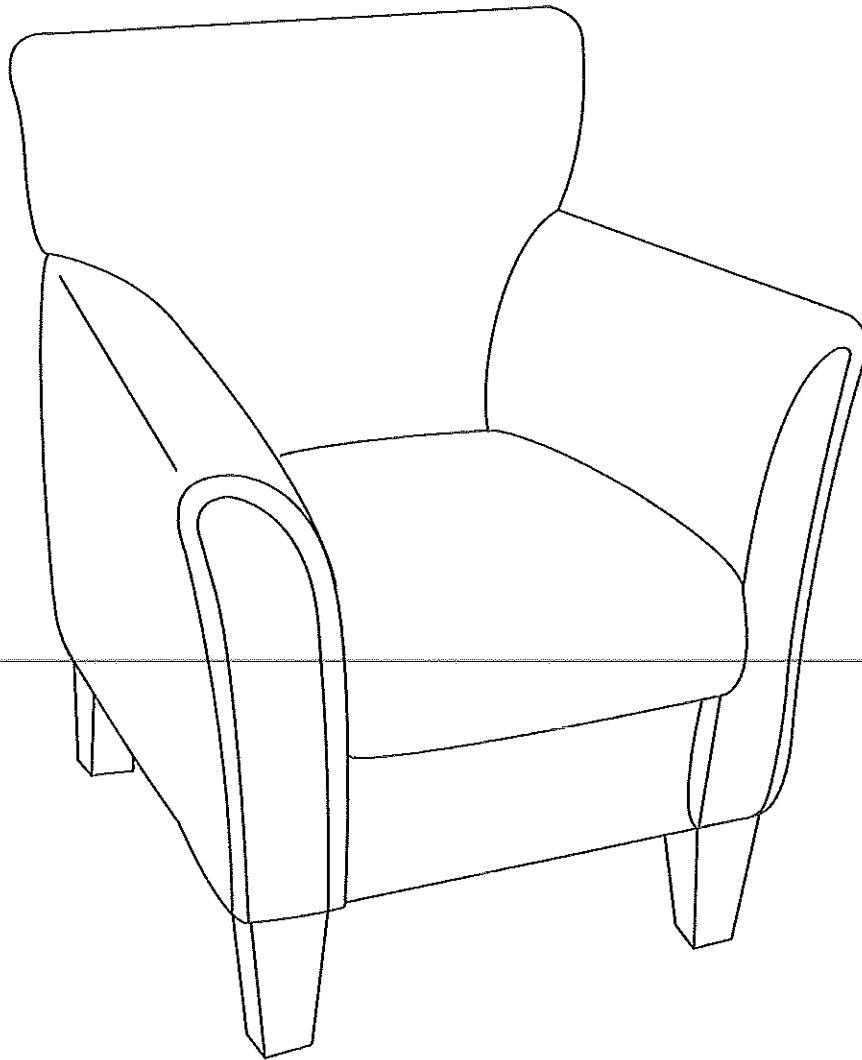


CHAIR



CONGRATULATIONS! you've purchased a fine piece of furniture .

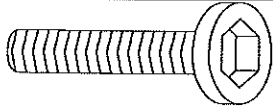
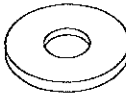

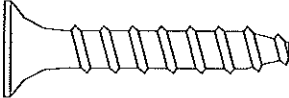
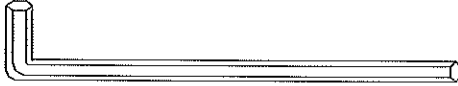
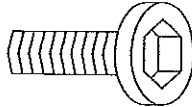
An allen wrench is included for your convenience, but a philips screw driver is needed for final assembly

Hardware & Parts Identification

For ease of identification please organize all hardware for each step of the assembly instruction

NOTE: Please verify all parts are complete before begin assembly

ITEM	PARTS LIST	QTY
①	ARM	2
②	BACK CUSHION	1
③	STRETCHER	1
④	SEAT PANEL	1
⑤	SEAT CUSHION	1
⑥	LEG	4

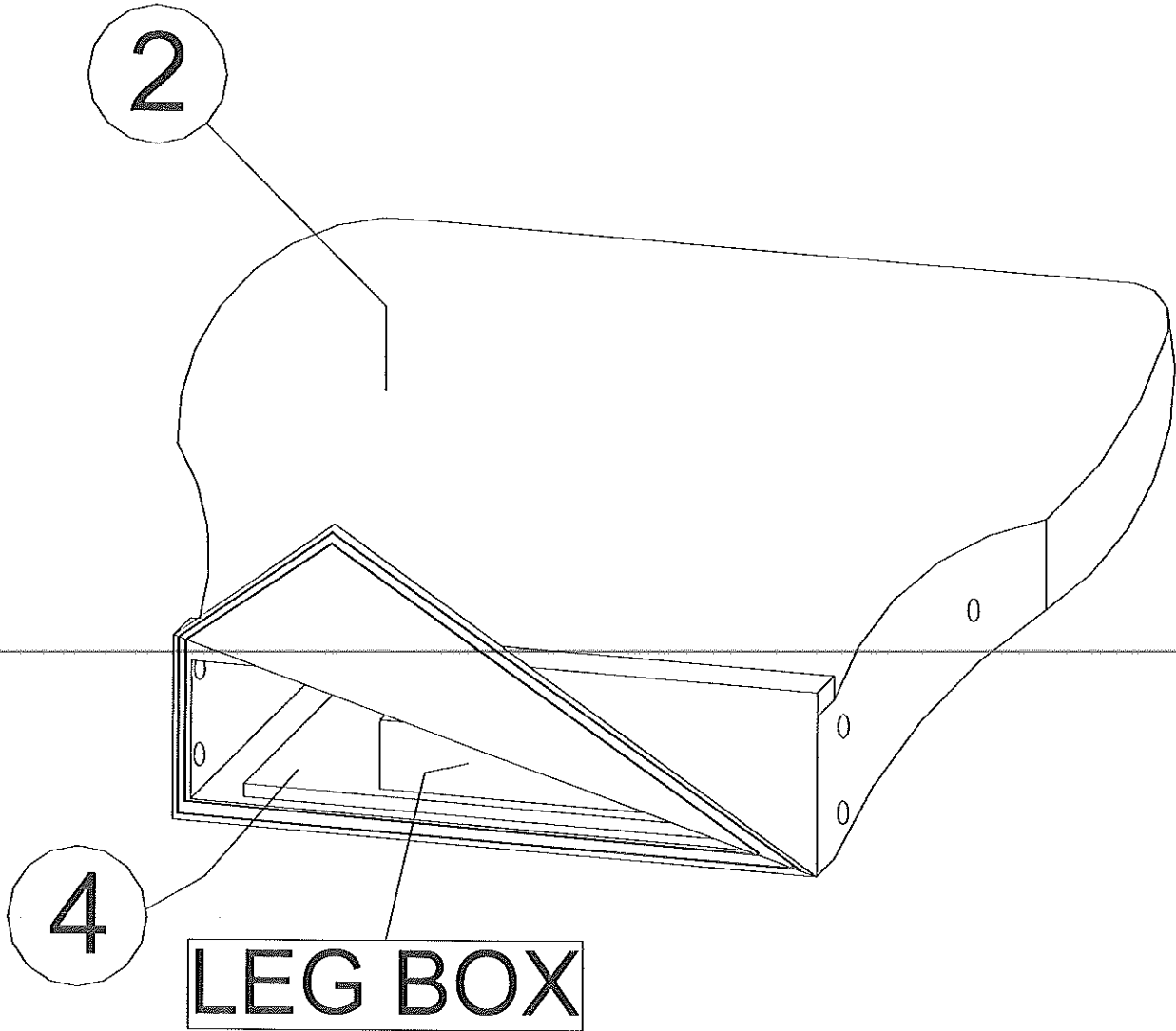
ITEM	HARDWARE LIST	QTY
A	5/16"x 2" 	6
B		10
C		10
D		8
E		1
F	5/16" x 1" 	4

STEP 1:

STEP 1A: Please place all parts on a clean cloth for assembly

STEP 1B: Remove a box of legs from inside of cushion back

STEP 1C: Remove a piece of seat panel out from cushion back



STEP 2:

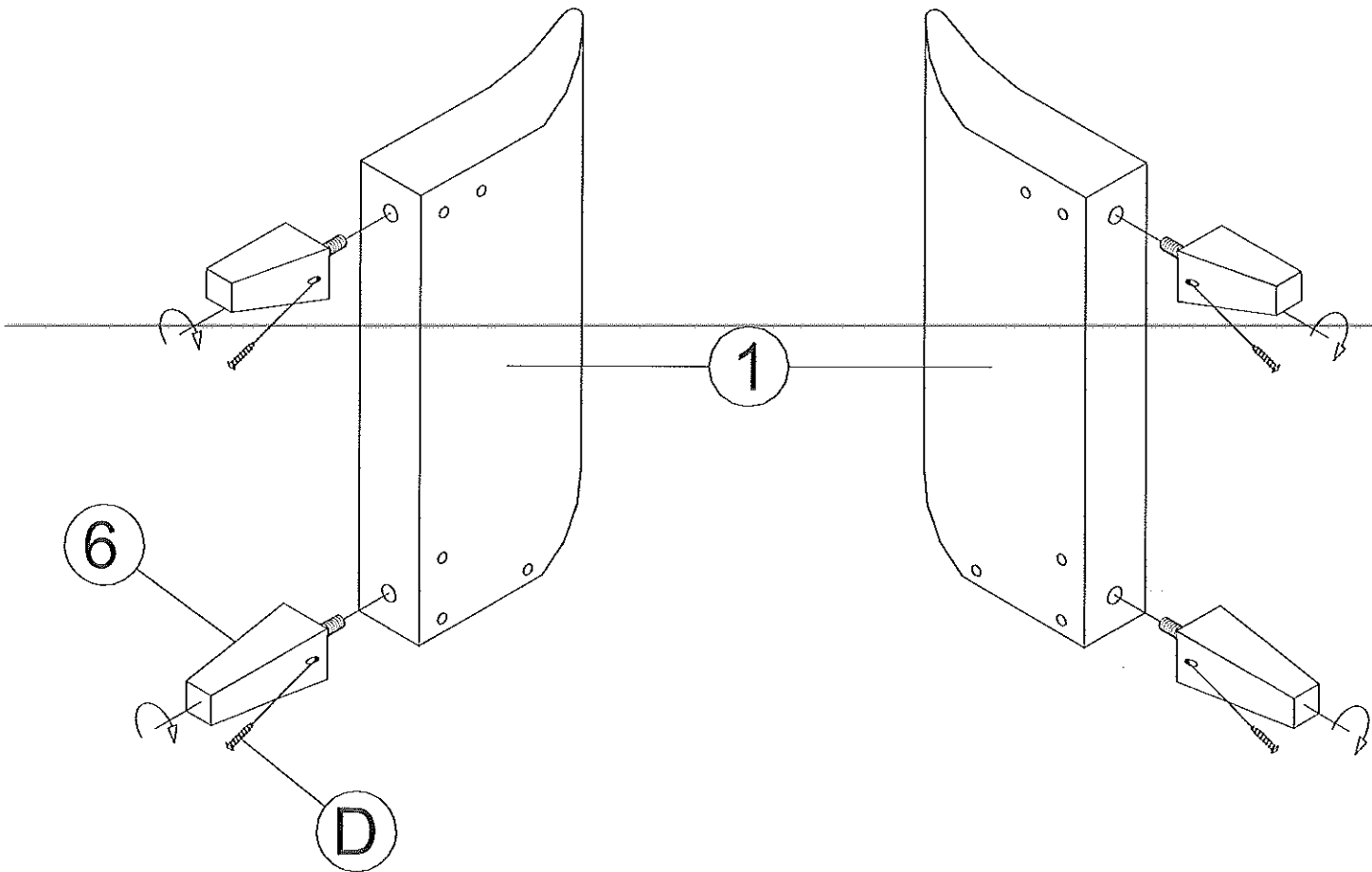
STEP 2A: Start assembly legs into left and right arm.

STEP 2B: Turn legs clockwise until tight.

NOTE: SCREWS HOLES IN LEGS MUST BE FACING TOWARD INSIDE OF CHAIR.

STEP 2C: Insert wood screws into designated holes and turn clockwise with screw driver (NOT INCLUDED) until tight.

NOTE: DO NOT OVER TIGHTEN THE SCREWS

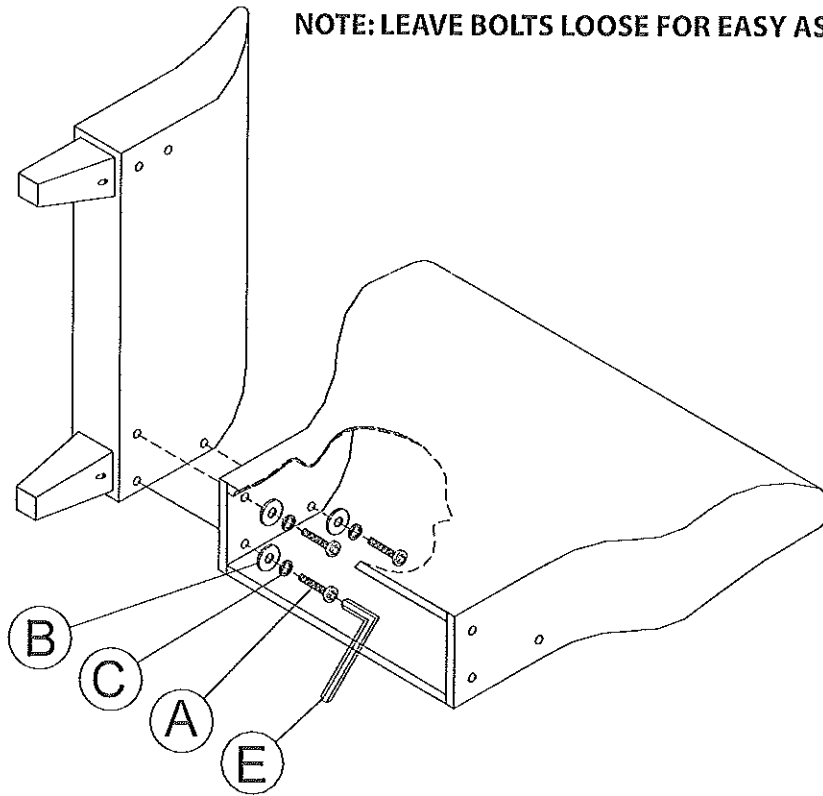


STEP 3:

3A: Attach cushion back with left side facing arm with bolts (A) with spring washer(C) and washer(B).

3B: Then turn clockwise with allen wrench until 80% tight

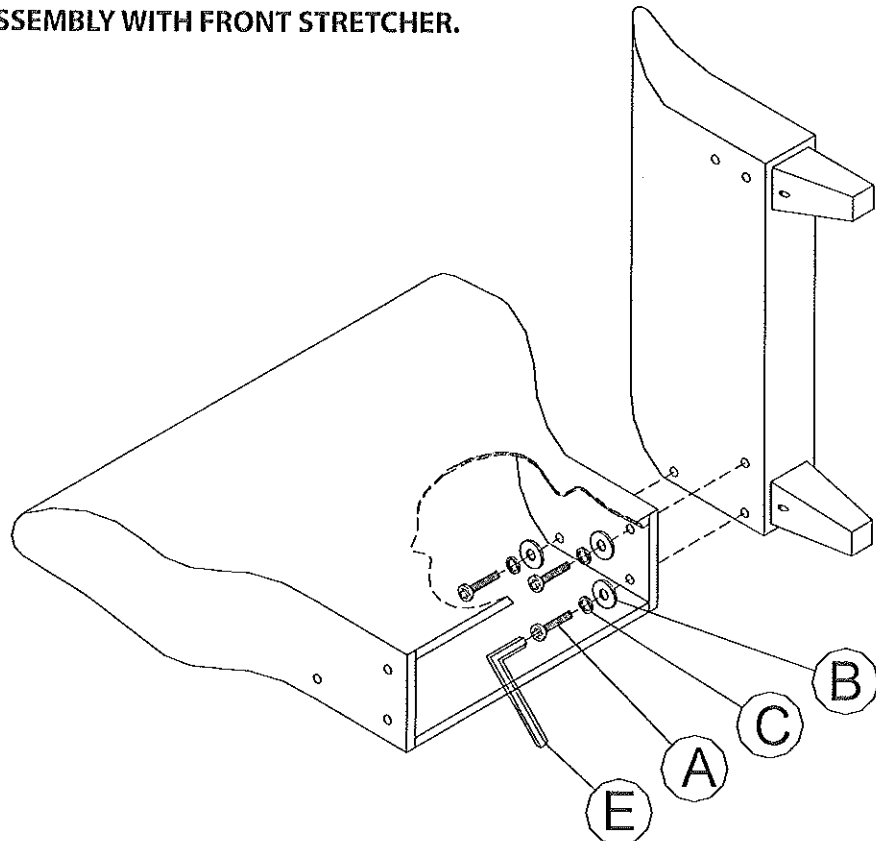
NOTE: LEAVE BOLTS LOOSE FOR EASY ASSEMBLY WITH FRONT STRETCHER.



STEP 4:

Repeat above steps for right side facing arm assembly

NOTE: DO NOT OVER TIGHTEN BOLTS FOR EASY ASSEMBLY WITH FRONT STRETCHER.

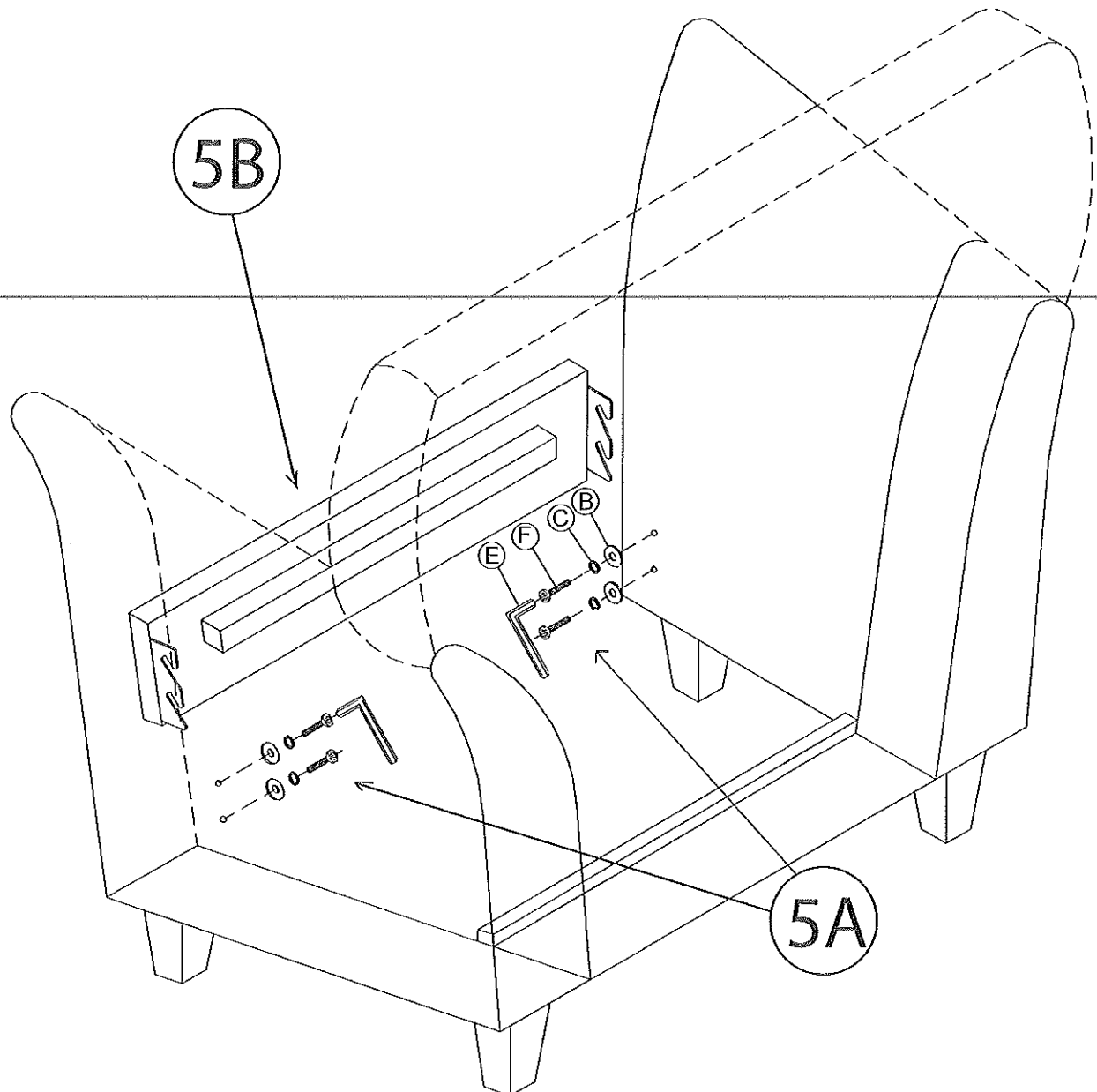


STEP 5:

5A: Insert bolt (F) with spring washer (C) and washer (B) then turn clockwise with allen wrench until 80% tightened.

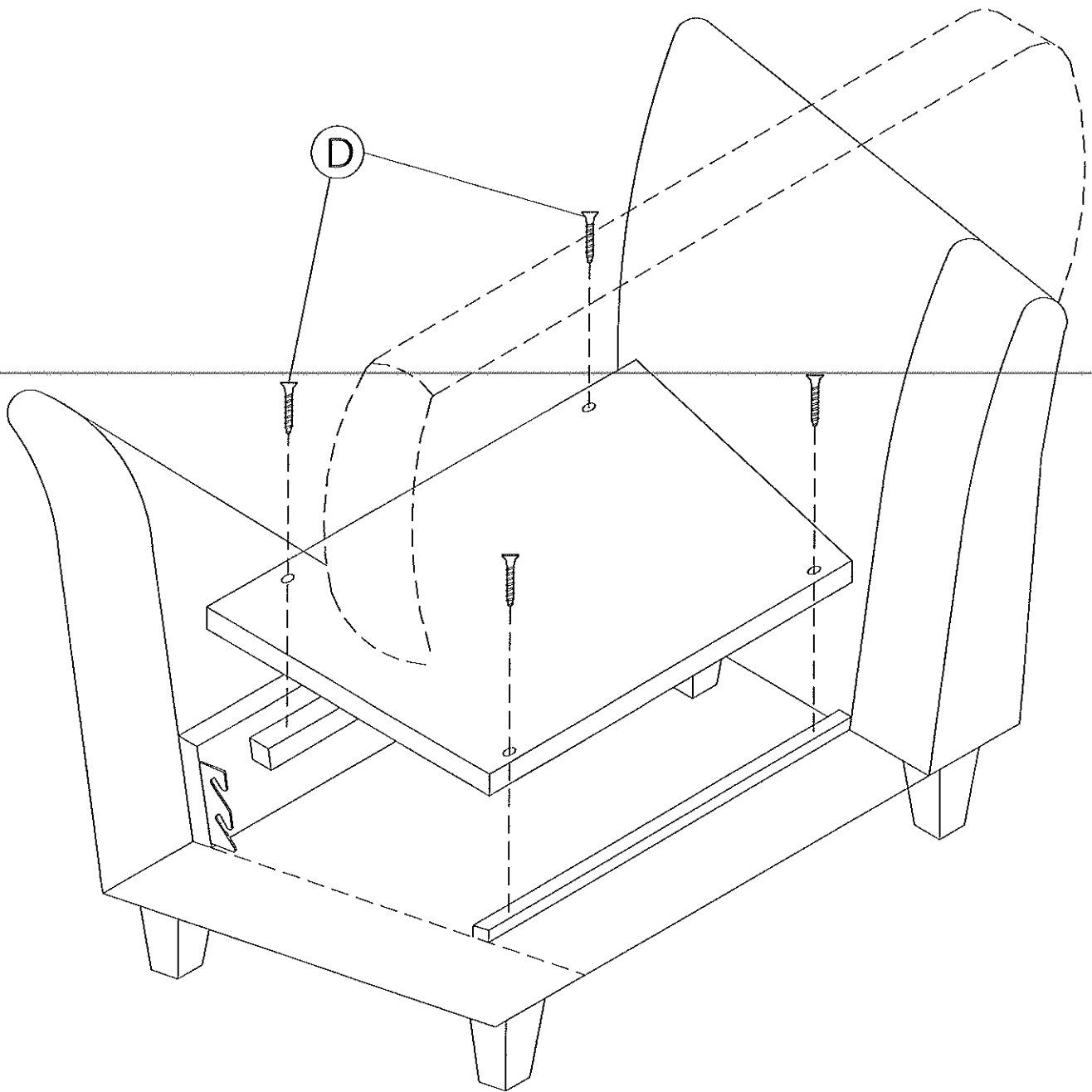
5B: Carefully position stretcher over bolts as shown

5C: Then tighten all stretcher and seat back bolts



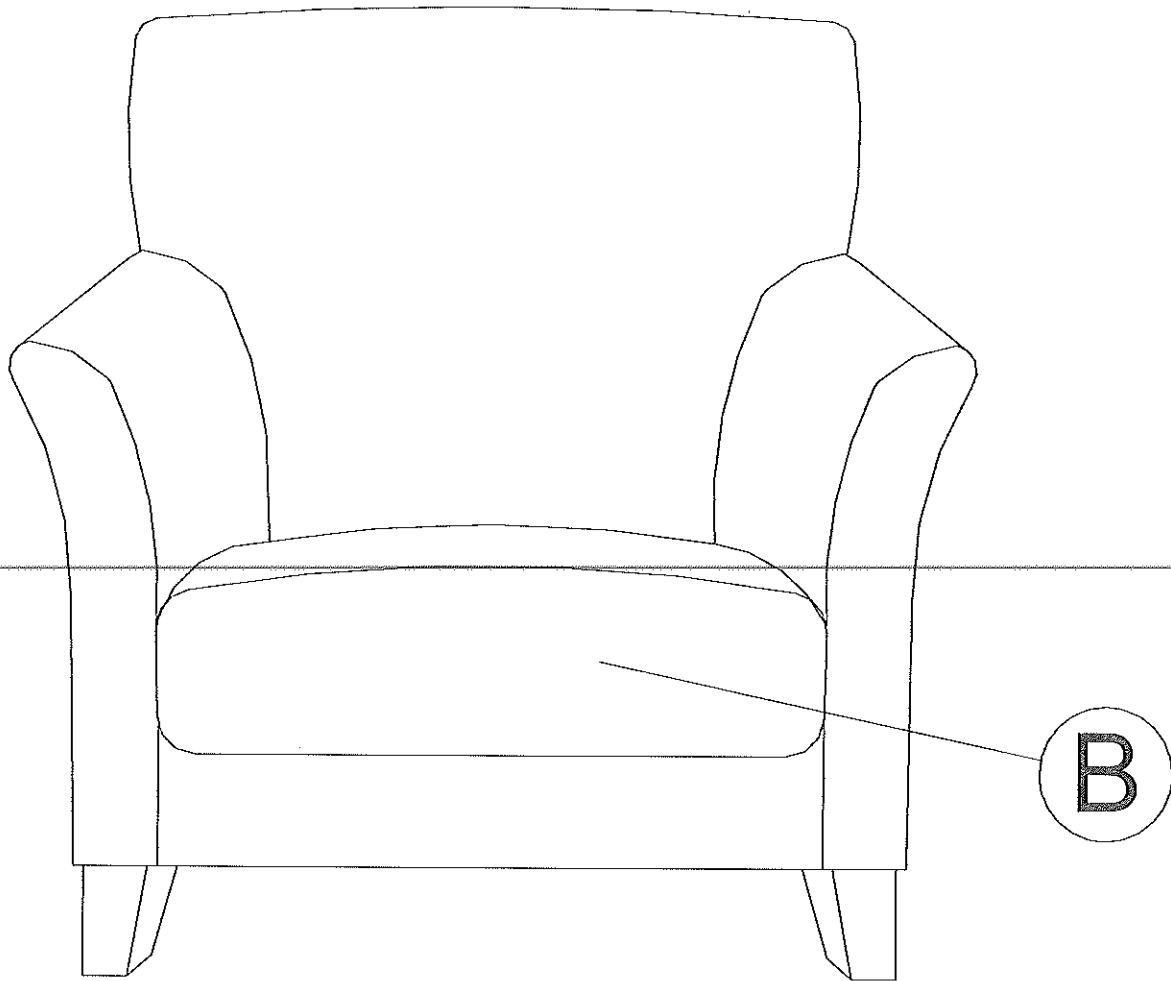
STEP 6: 6A: Secure the seat deck to the chair frame using the screw "D" into pre-drilled holes.

NOTE: (4) PRE-DRILLED HOLES HAVE BEEN COVERED BY BLACK CLOTH FOR APPEARANCE PURPOSES. LOCATE THE HOLES INDENTATIONS AND INSERT THE (4) SCREWS.



STEP 7:

Place seat cushion



CARE INSTRUCTION:

- *Remove stains using mild soap and lukewarm water. Rub gently in a circular motion with a sponge or soft brush. Pat the area dry after cleaning.
- *When the microfiber is completely dry, brush it lightly in the direction of the nap.
- *Brushing is recommended on a regular basis.