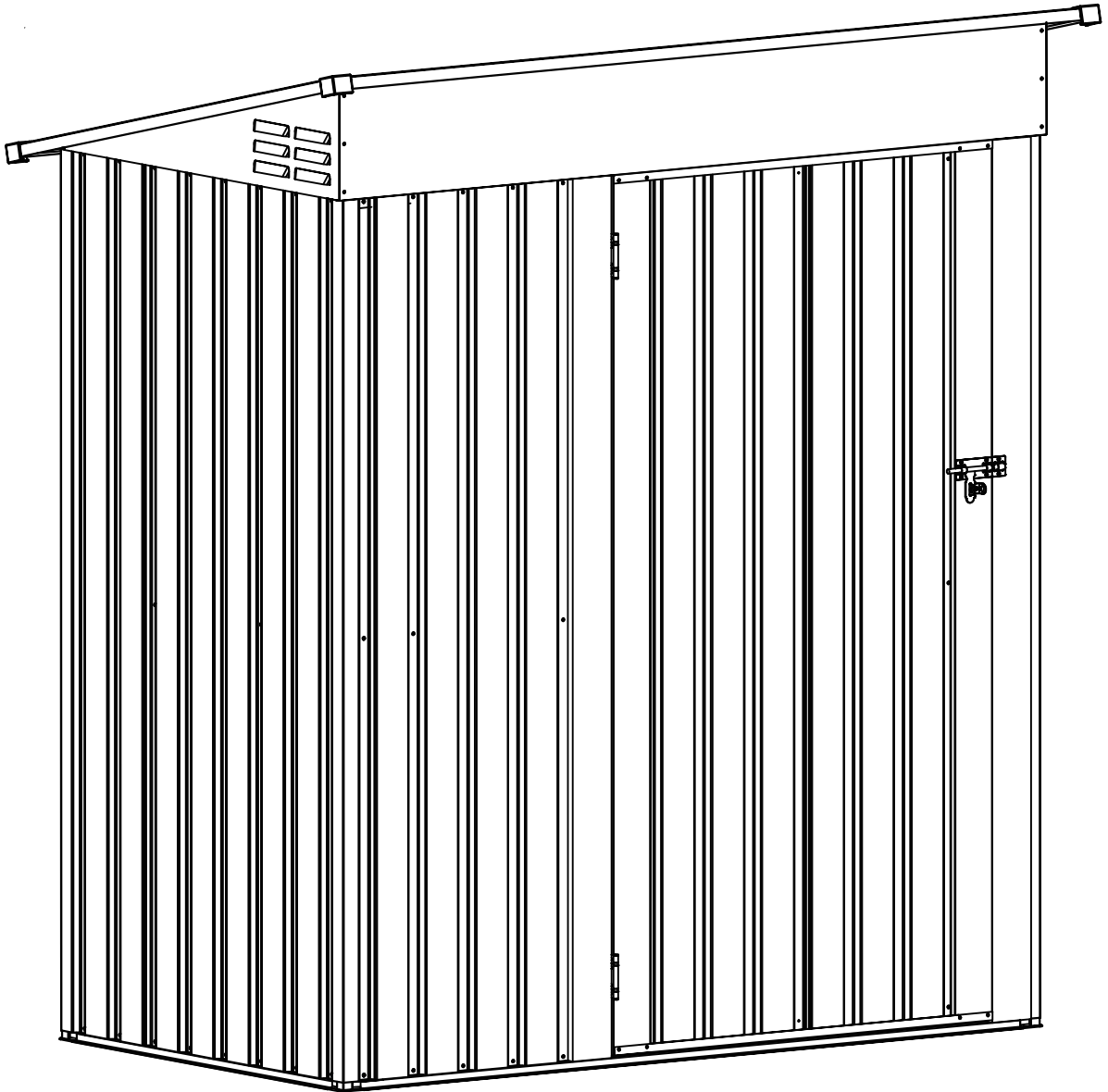
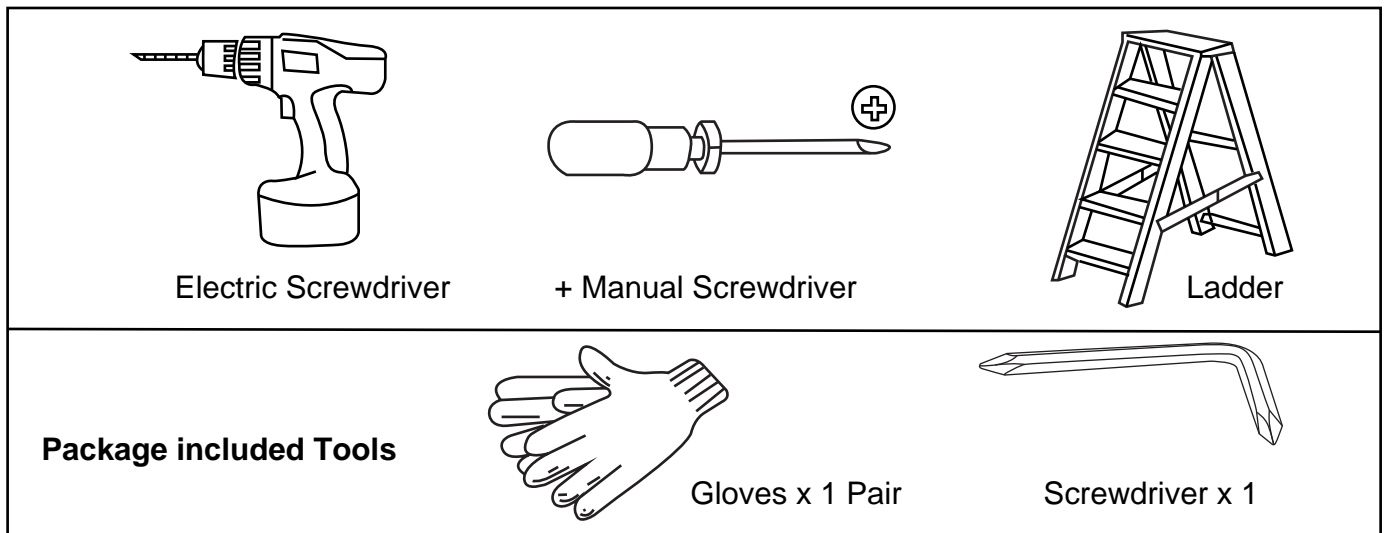


3x5 Storage Shed Installation



The product comes in one packages.
Please install after receiving all package.

Please prepare below tools before installation.(Not Included)



ATTENTION:

Please read this instruction carefully before installation and follow it strictly during installation. Ensure that there are no problems later due to installation errors.

Installation Notes

Please check the quantity of all parts before installation (Please refer to the Parts Lists) and the appearance of the products. Please make sure the product is correct before installation. If there is any problem, please contact us directly.

Make sure the colored panels are facing outwards and all the holes match. The panels are textured, please install the panels in the order specified in the instructions. All lines and holes must be accurately matched to make the storage shed more stable. Please ensure that all screws are tightened to prevent the product from falling apart.

There is a protective film on the surface to protect the product, please tear it off after installation to get the final presentation. If you do not damage the film during installation, it can also remain on the product to protect the product.

Please place the product on a flat ground to prevent leaning and collapse. If the ground is uneven, the door may can't be closed.

Safety Precautions

We recommend two adults to complete the installation. Two adults installed together will make the installation process easier and safer.

The gloves must be carried to prevent hand cuts during installation.






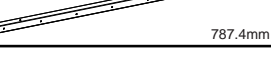



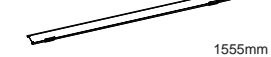

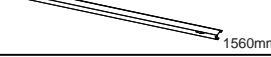



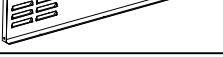



Take care when using power tools near water the use of a residual current device(RCD) is advised.


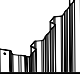


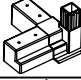
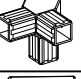
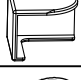


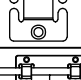
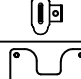
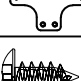
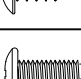
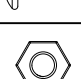


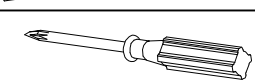
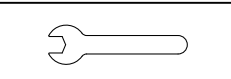

Please use the electric driver carefully during screwing to prevent the screw from slipping and hurting your hand.(We recommend that beginners use a manual screwdriver for installation.)

Be careful not to fall when installing the roof. Please steady the ladder and make sure the product placed on a flat ground.

PLEASE KEEP THIS INSTRUCTION FOR FUTURE REFERENCE.

Part List

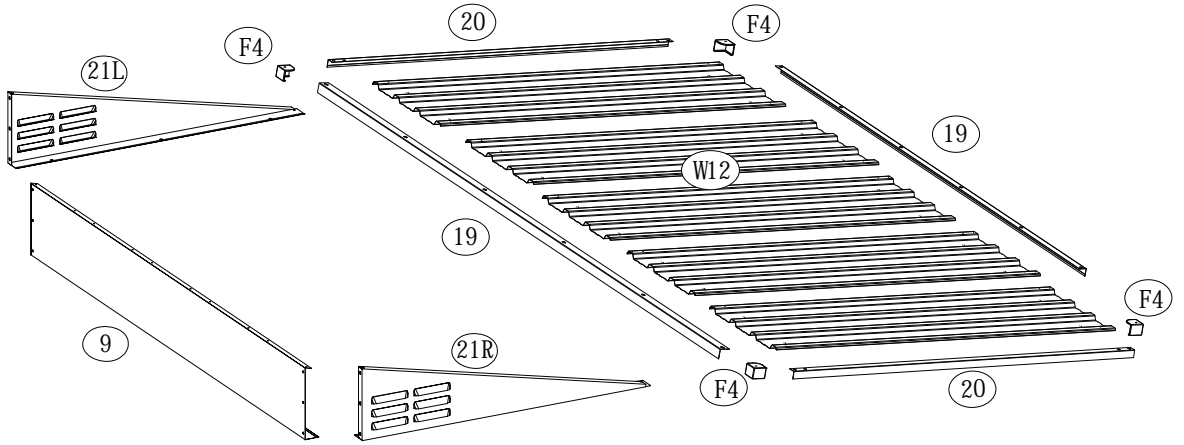
PART	NO.	QTY.
 1416.2mm	1	1
 774.2mm	2	2
 1416.2mm	3	1
 1510mm	5	4
 1429.4mm	6	1
 787.4mm	7	2
 1429.4mm	8	1
	9	1
 1006.9mm	15	2
 1555mm	16	1
 1560mm	17L	1
 1560mm	17R	1
 1625mm	19	2
 997.3mm	20	2
 812mm	21	2
	21L	1
	21R	1
 1555mm	22	1
 1560mm	W1	2

PART	NO.	QTY.
 1560mm	W3	7
 1560mm	W4	4
 989.3mm	W12	5
 1553mm	M1	2
	C	4
	F	4
	F4	4
	F7	155
	F8	34
	S1	1
	S2	1
	S3	1
	S4	163
	S6	45
	S7	39
	S8	4
	S9	4
	S12	1
	S15	1

Storage Shed Assembly Instruction_SS16209

Shed top panels

NO.	QTY.
9	1
19	2
20	2
F4	4
W12	5
21L	1
21R	1

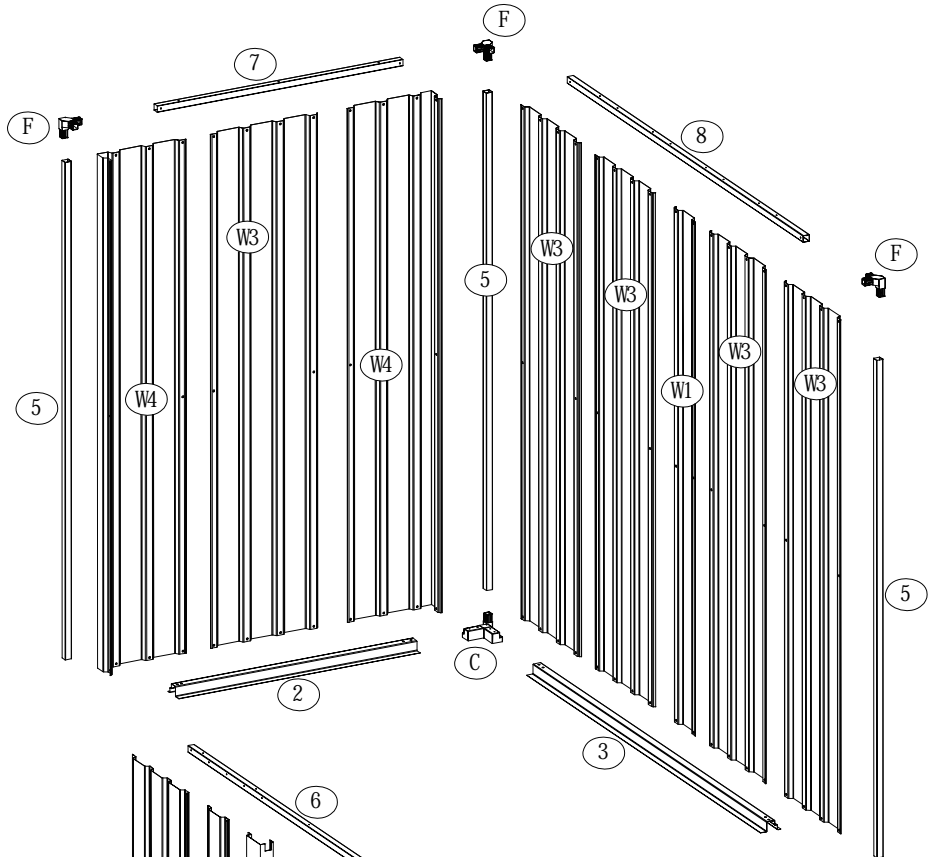


Shed base

NO.	QTY.
7	2
F	4
5	4
W3	6
W4	4
C	4

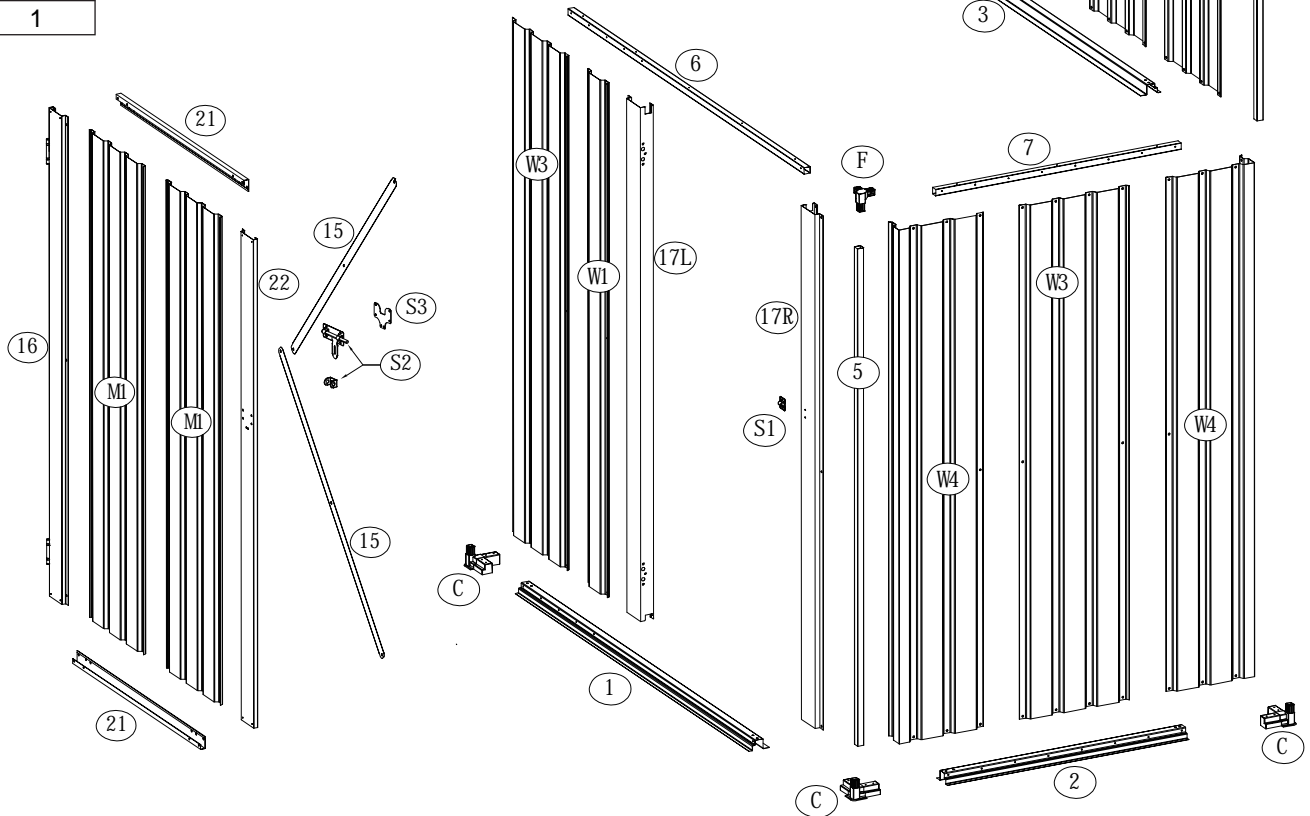
Shed base

NO.	QTY.
3	1
17L	1
17R	1
W1	2
8	1








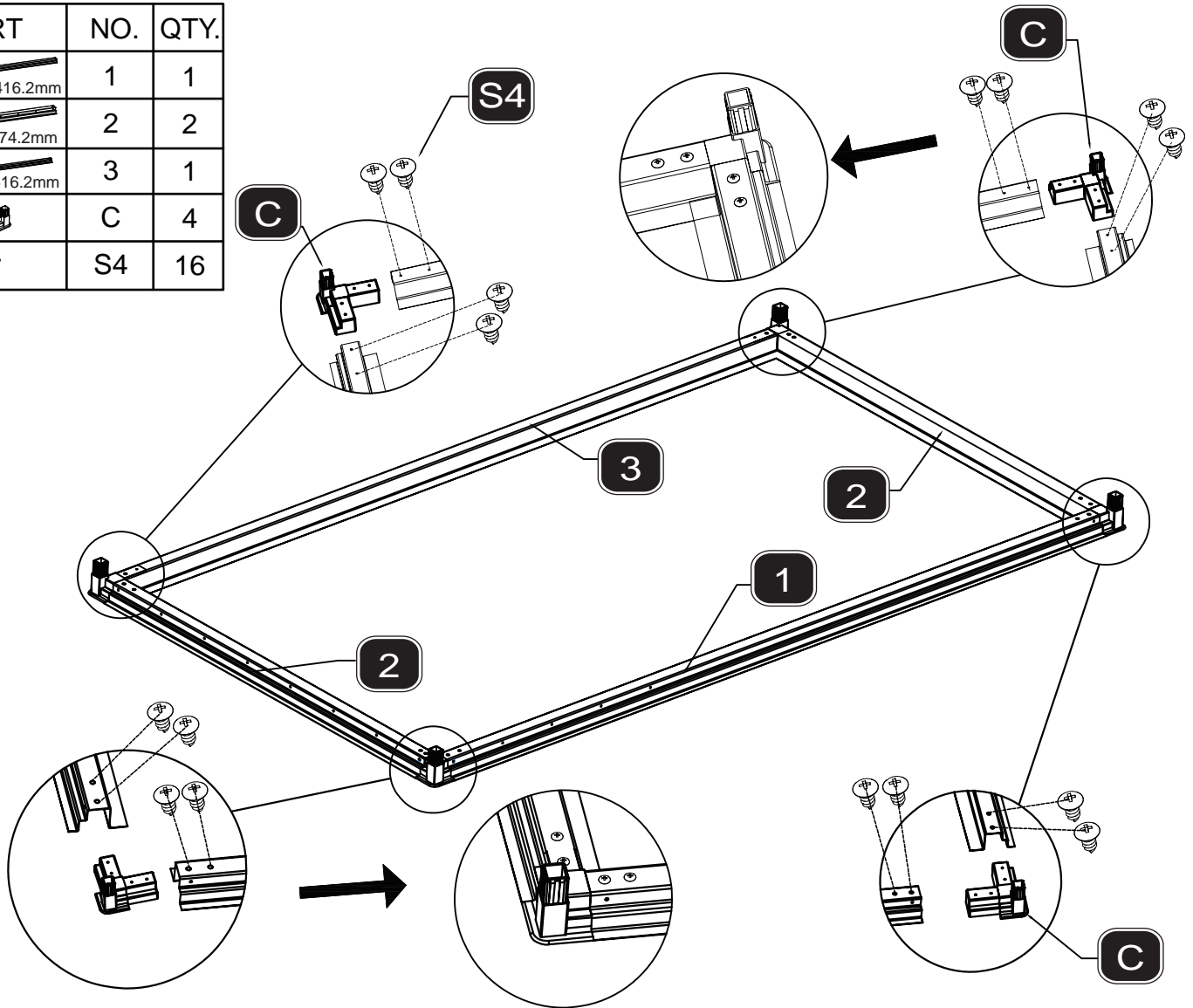
Door

NO.	QTY.
16	1
M1	2
15	2
21	2
22	1
S1	1
S2	1
S3	1




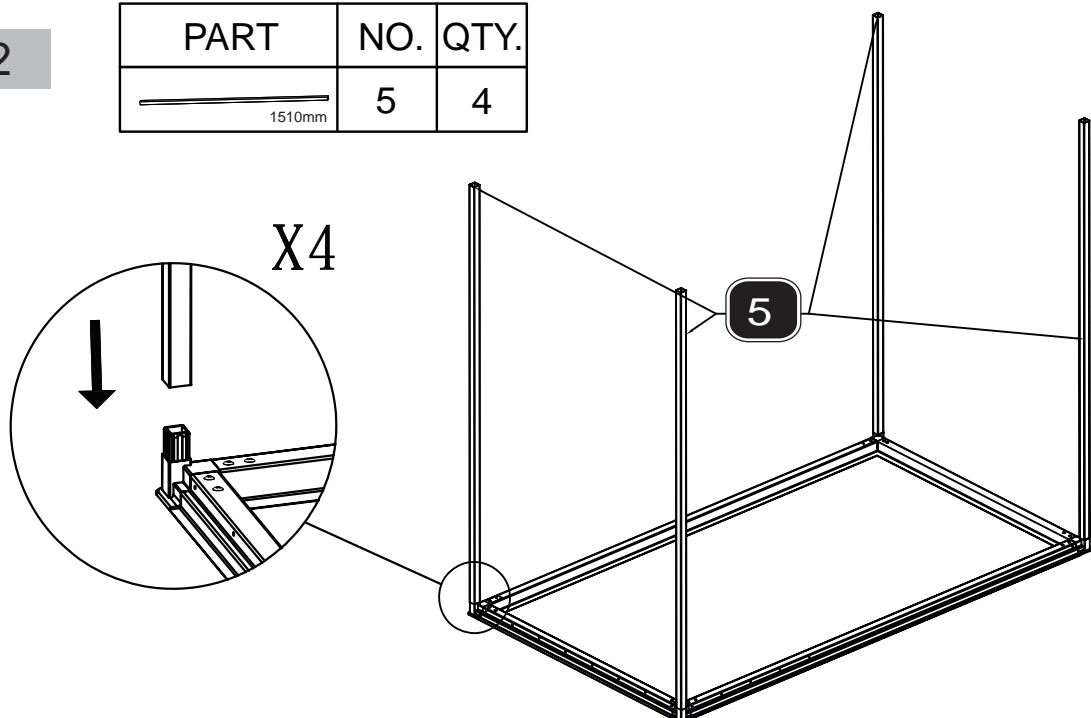
STEP 1

PART	NO.	QTY.
 1416.2mm	1	1
 774.2mm	2	2
 1416.2mm	3	1
	C	4
	S4	16

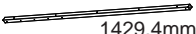

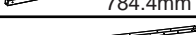
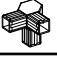
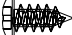


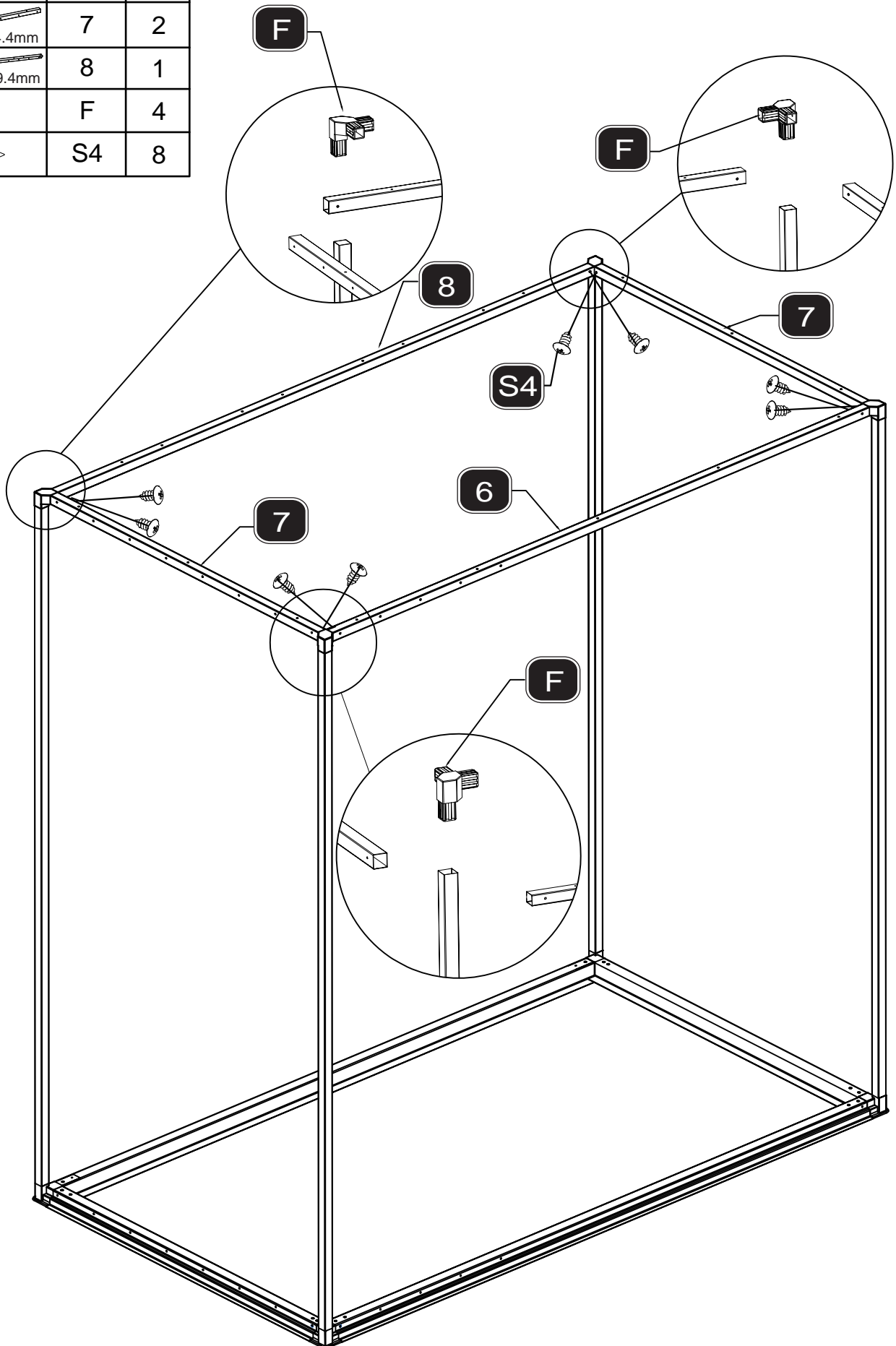
STEP 2

PART	NO.	QTY.
 1510mm	5	4


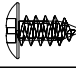
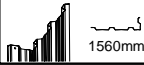


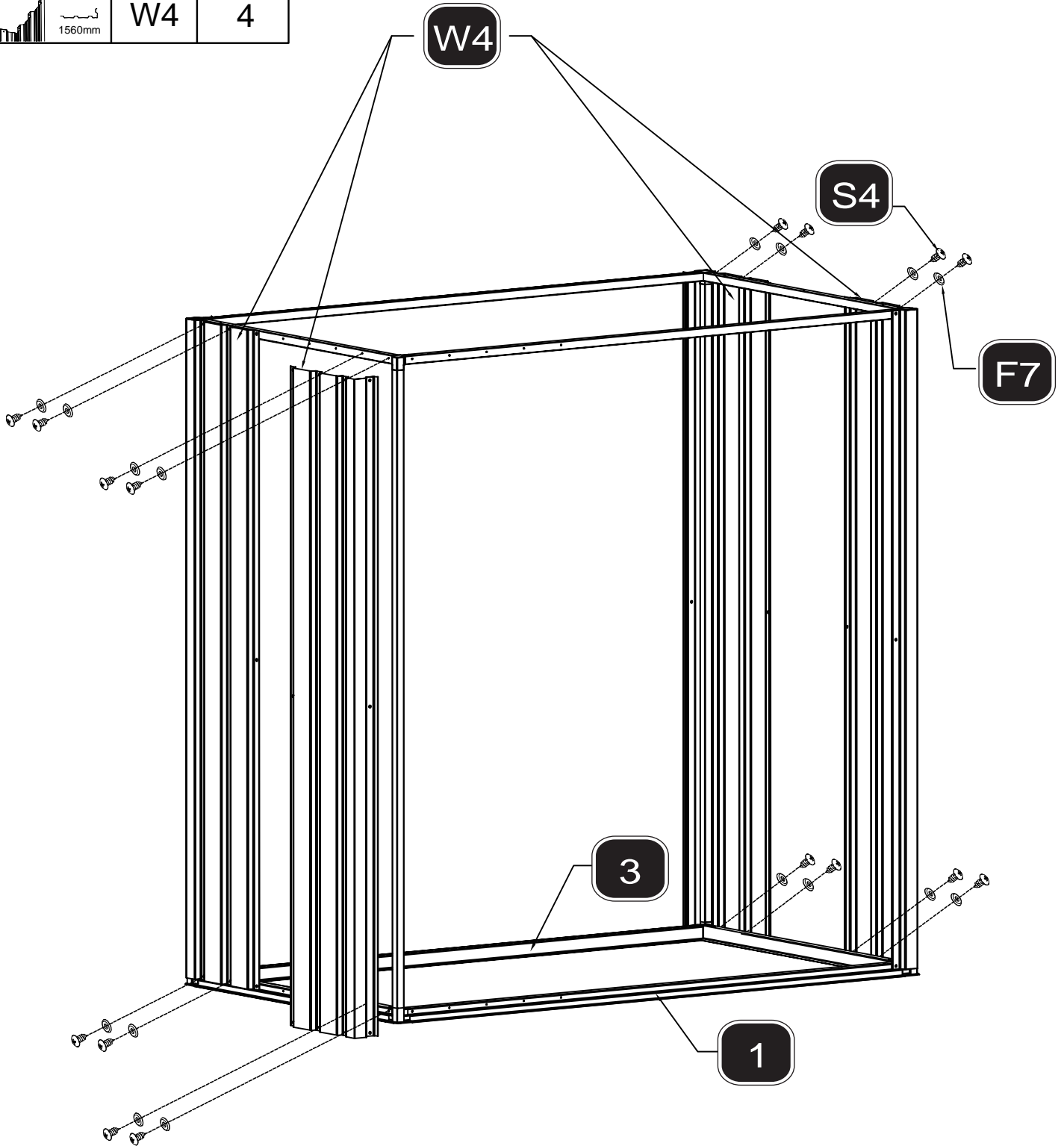
STEP3

PART	NO.	QTY.
 1429.4mm	6	1
 784.4mm	7	2
 1429.4mm	8	1
	F	4
	S4	8

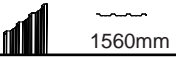
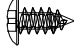
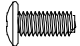




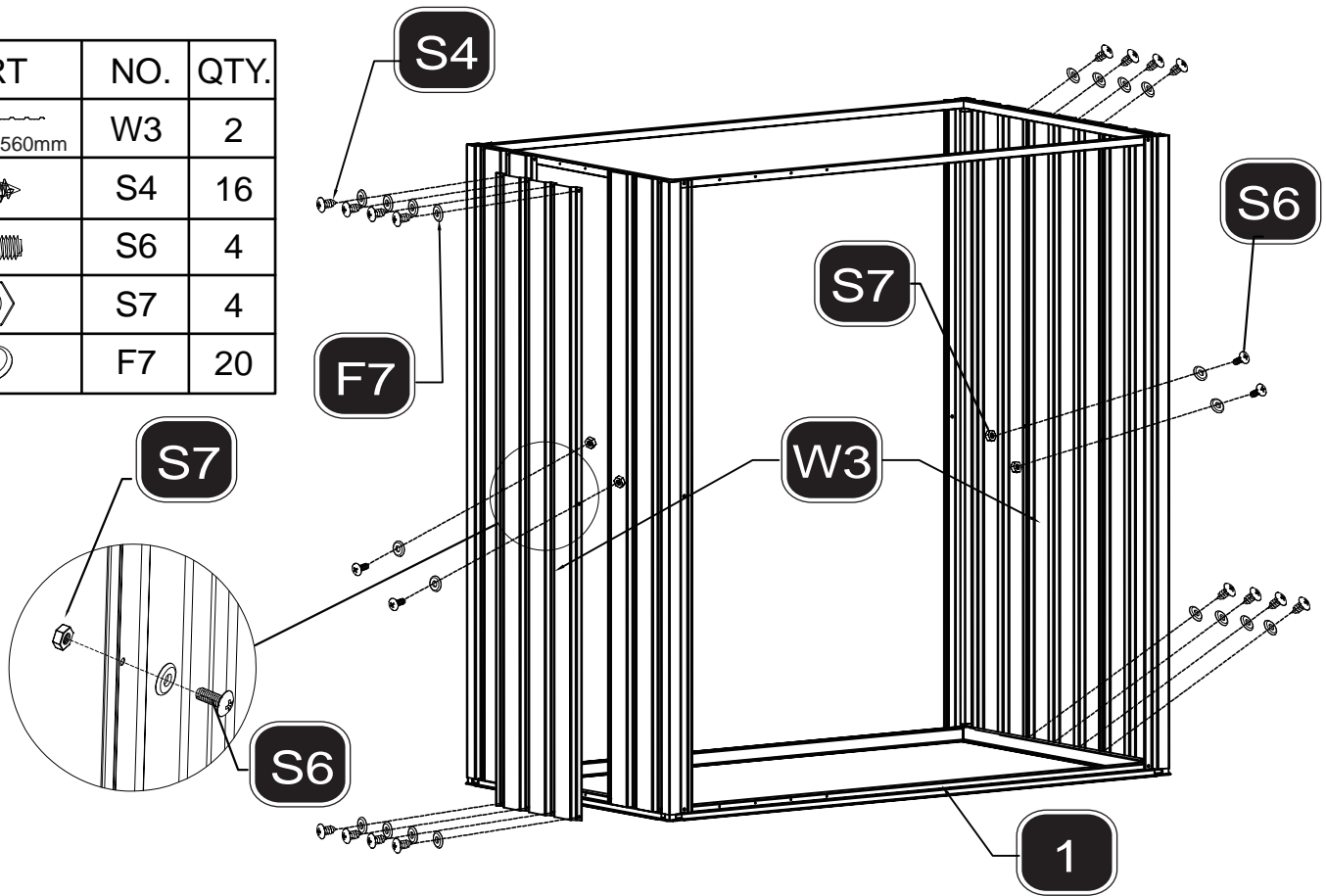
STEP4

PART	NO.	QTY.
	F7	16
	S4	16
 1560mm	W4	4



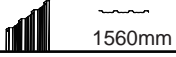


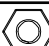
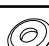
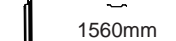
STEP5

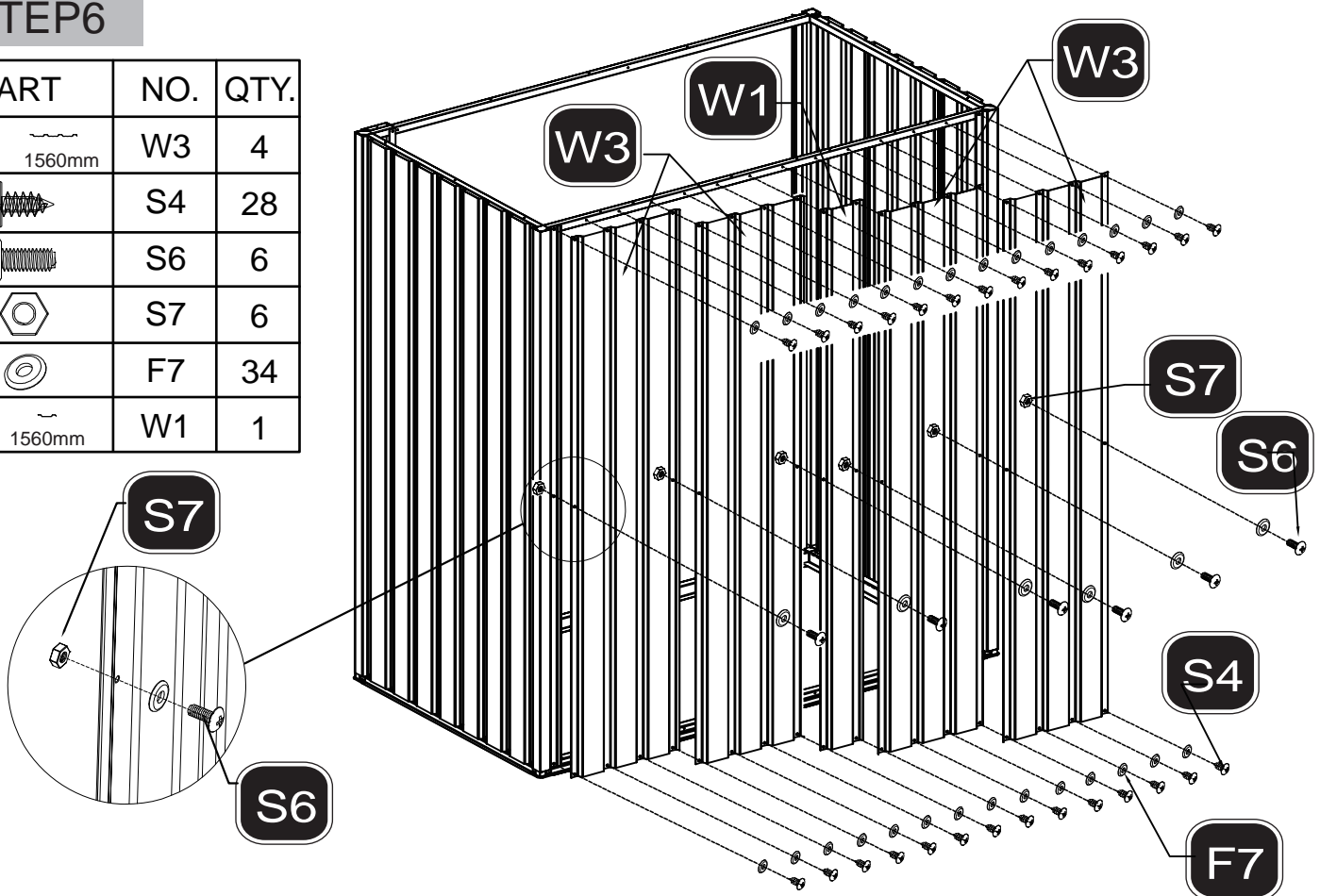
PART	NO.	QTY.
 1560mm	W3	2
	S4	16
	S6	4
	S7	4
	F7	20



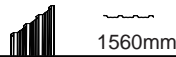
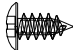
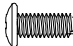


Tips: After installing the 4 pcs of W4, proceed to install W3, covering them.

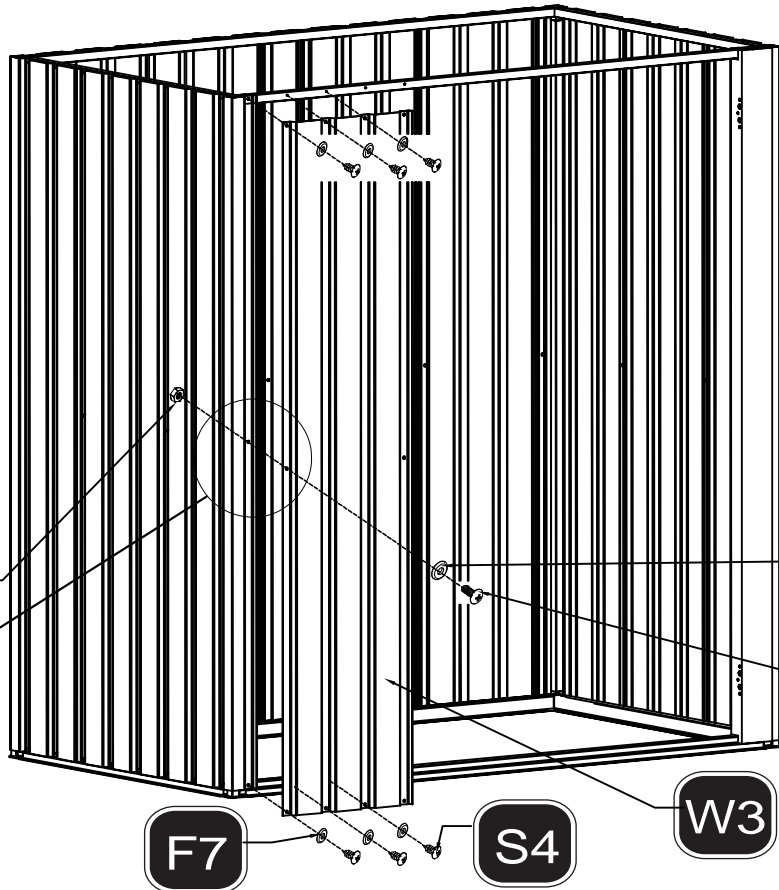
STEP6

PART	NO.	QTY.
 1560mm	W3	4
	S4	28
	S6	6
	S7	6
	F7	34
 1560mm	W1	1

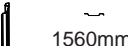
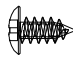





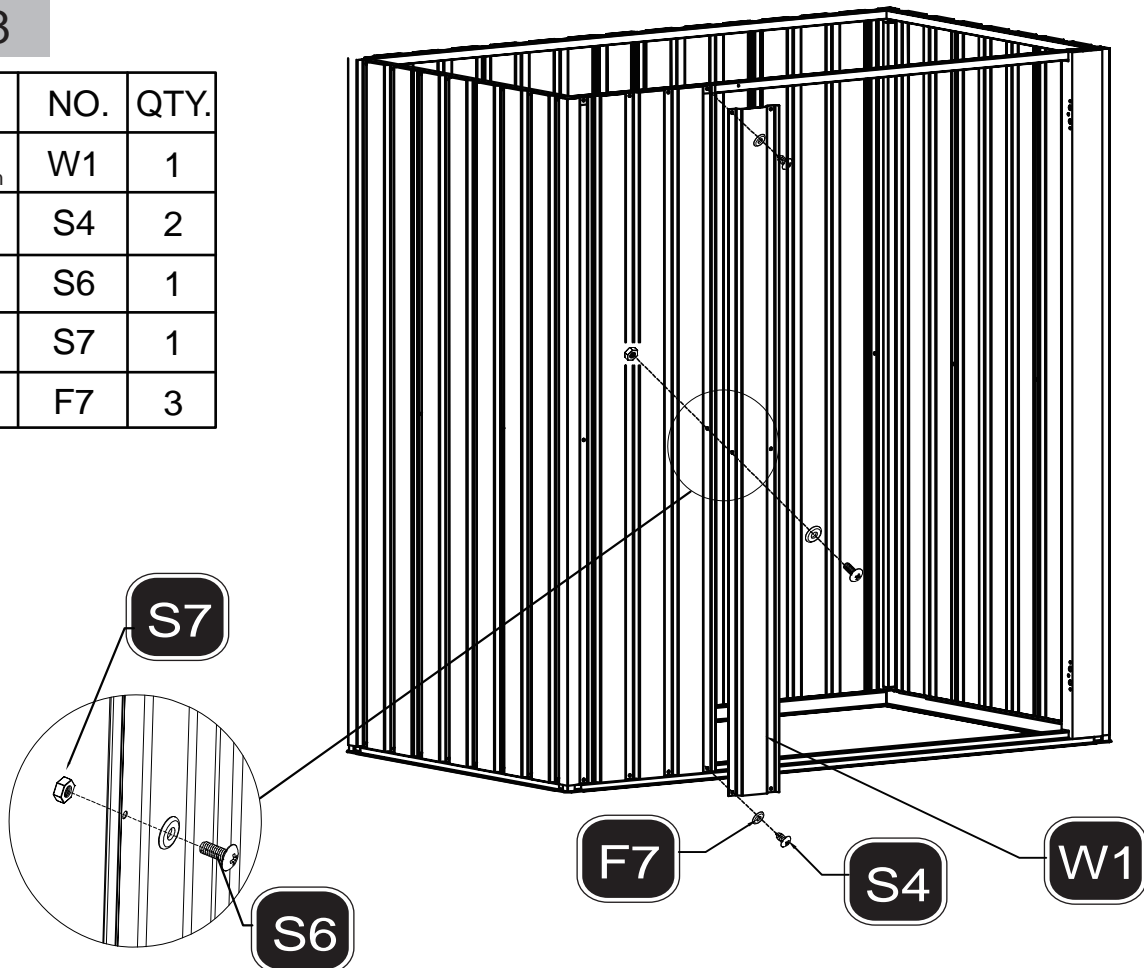
STEP7

PART	NO.	QTY.
 1560mm	W3	1
	S4	6
	S6	1
	S7	7
	F7	7

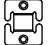




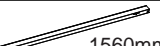
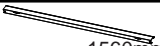


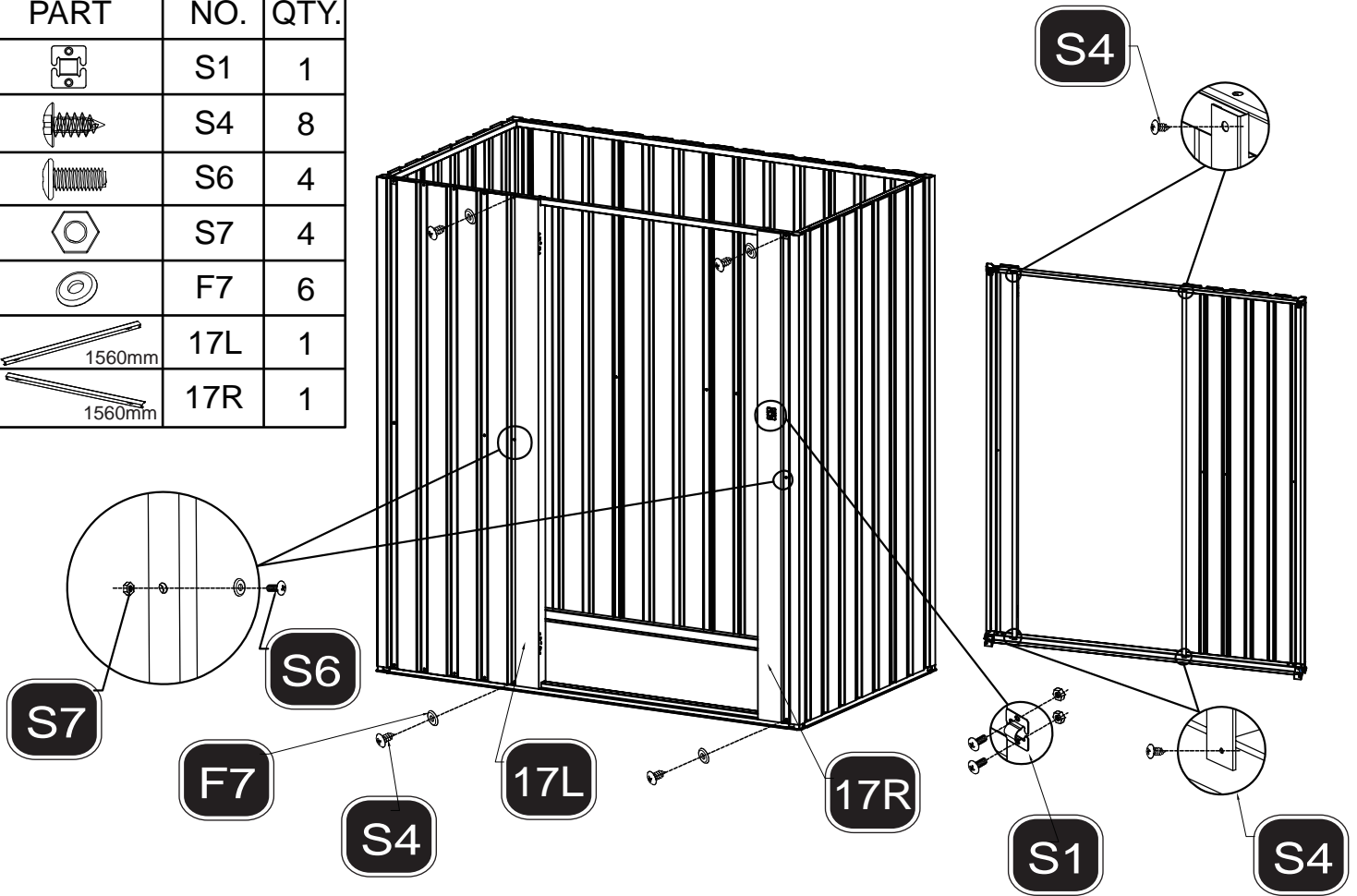
STEP8

PART	NO.	QTY.
 1560mm	W1	1
	S4	2
	S6	1
	S7	1
	F7	3



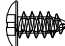


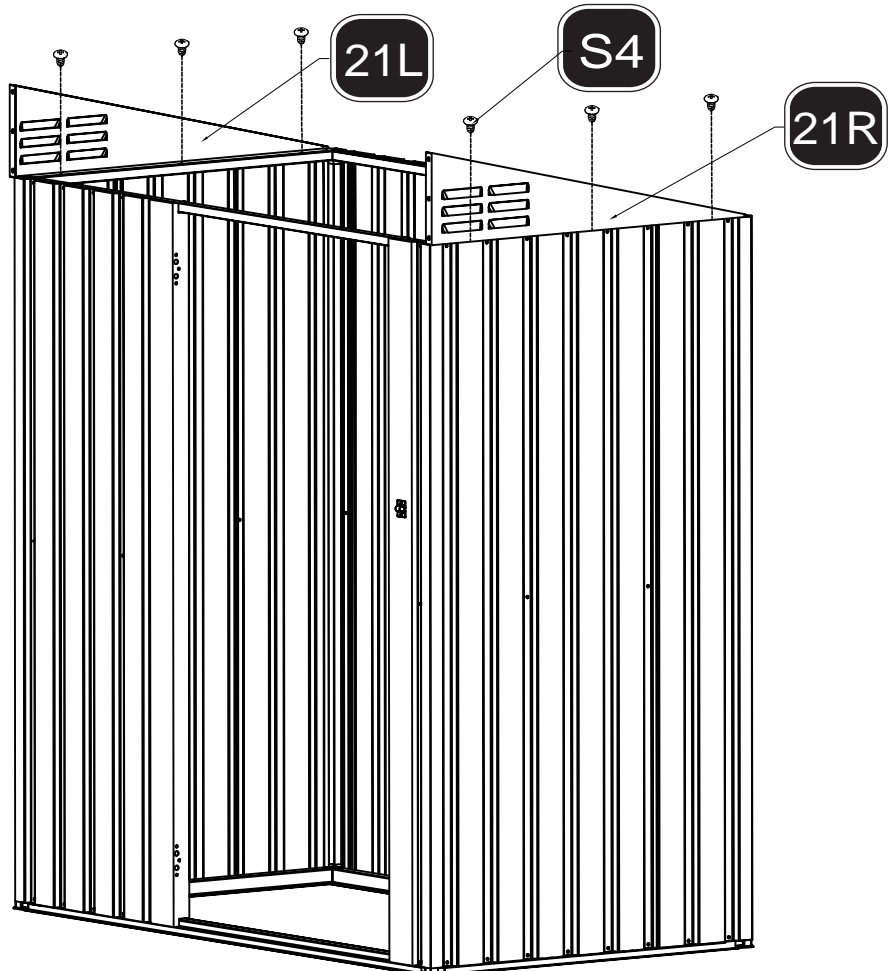
STEP 9

PART	NO.	QTY.
	S1	1
	S4	8
	S6	4
	S7	4
	F7	6
 1560mm	17L	1
 1560mm	17R	1

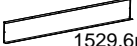
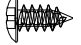
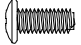




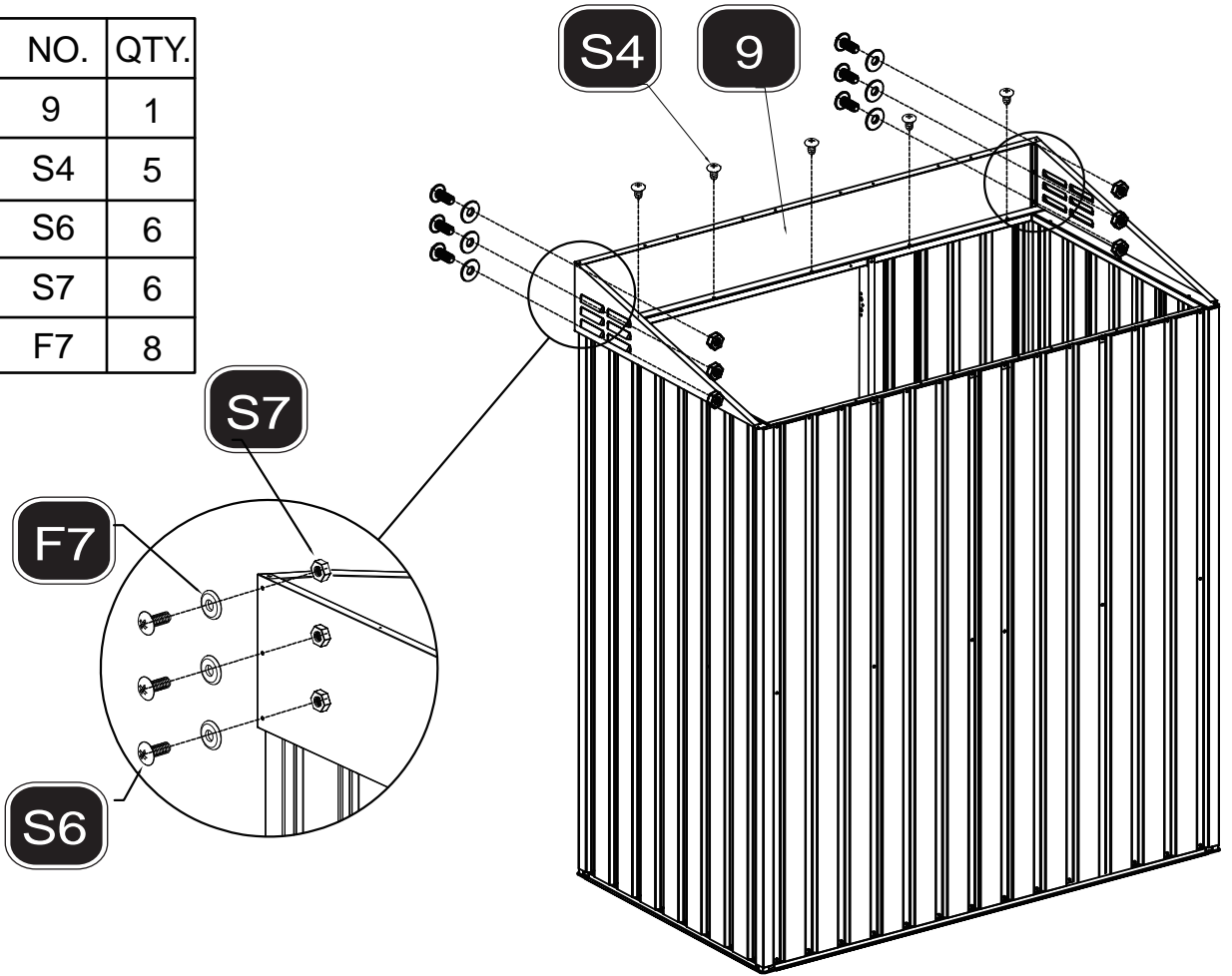
STEP 10

PART	NO.	QTY.
	21L	1
	21R	1
	S4	6


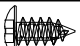



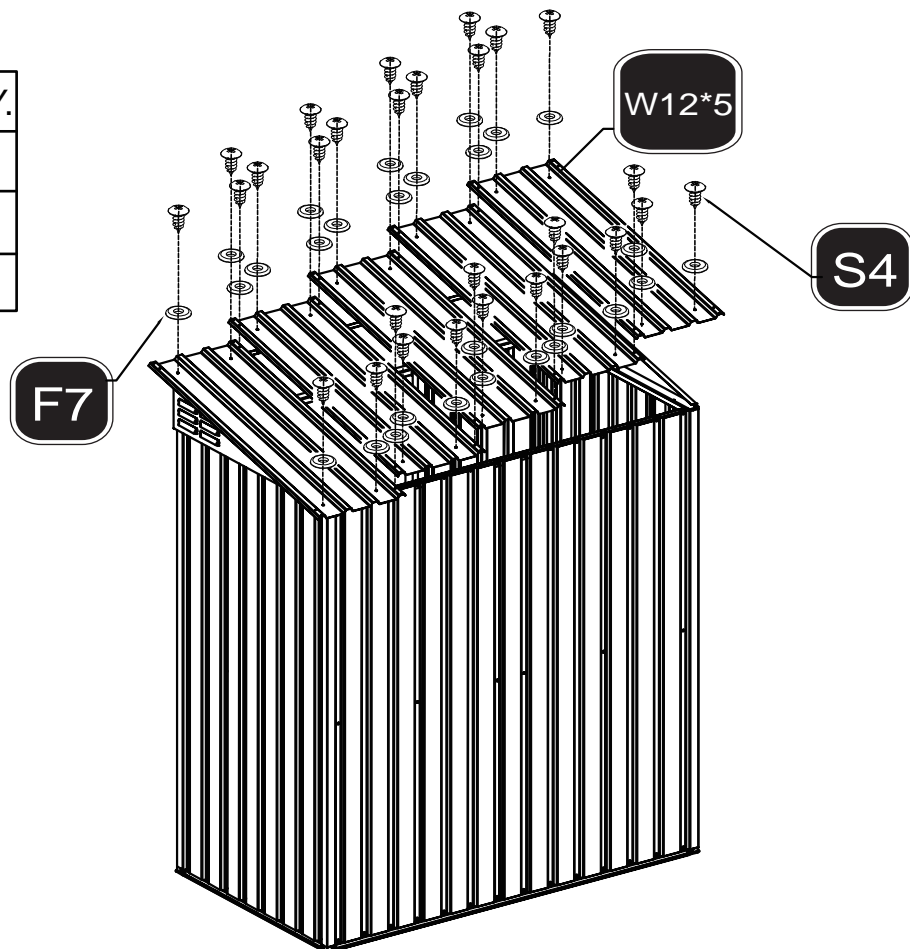
STEP11

PART	NO.	QTY.
 1529.6mm	9	1
	S4	5
	S6	6
	S7	6
	F7	8

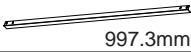
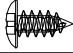



STEP12

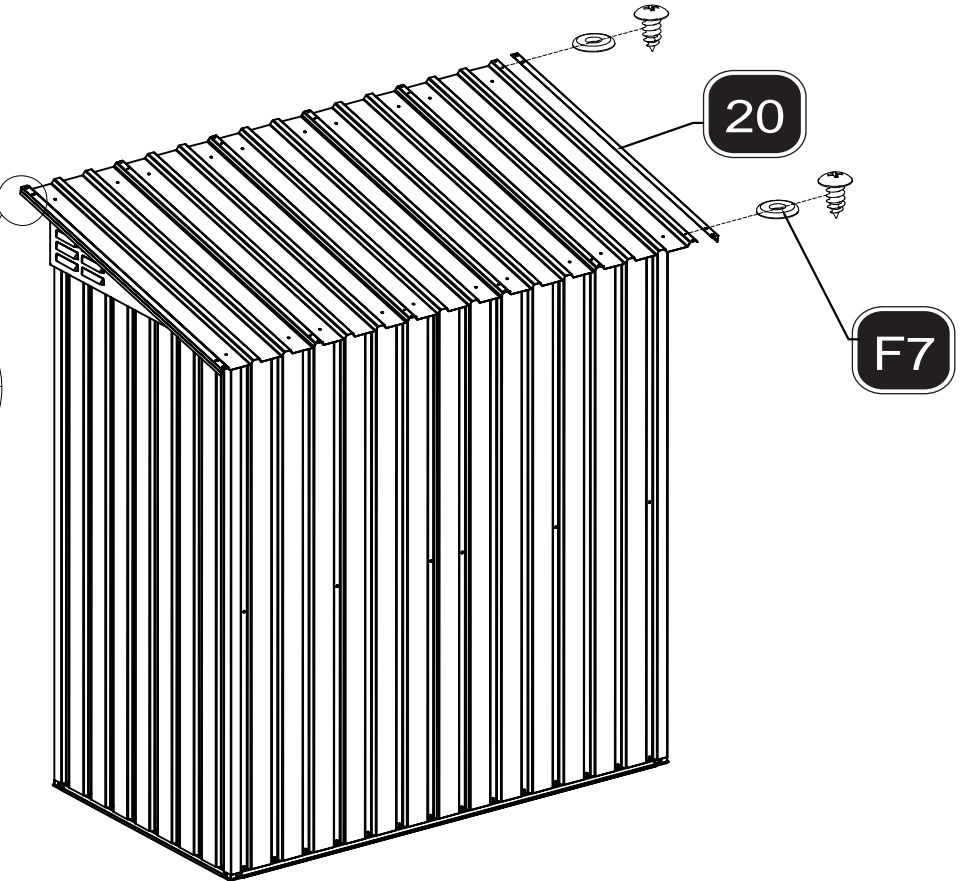
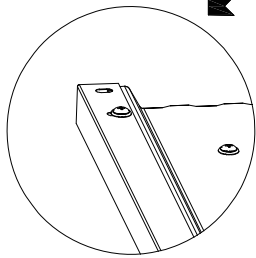
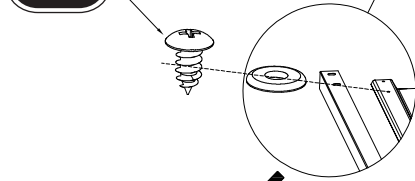
PART	NO.	QTY.
 989.3mm	W12	5
	S4	28
	F7	28



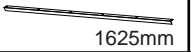
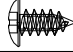
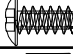


STEP13

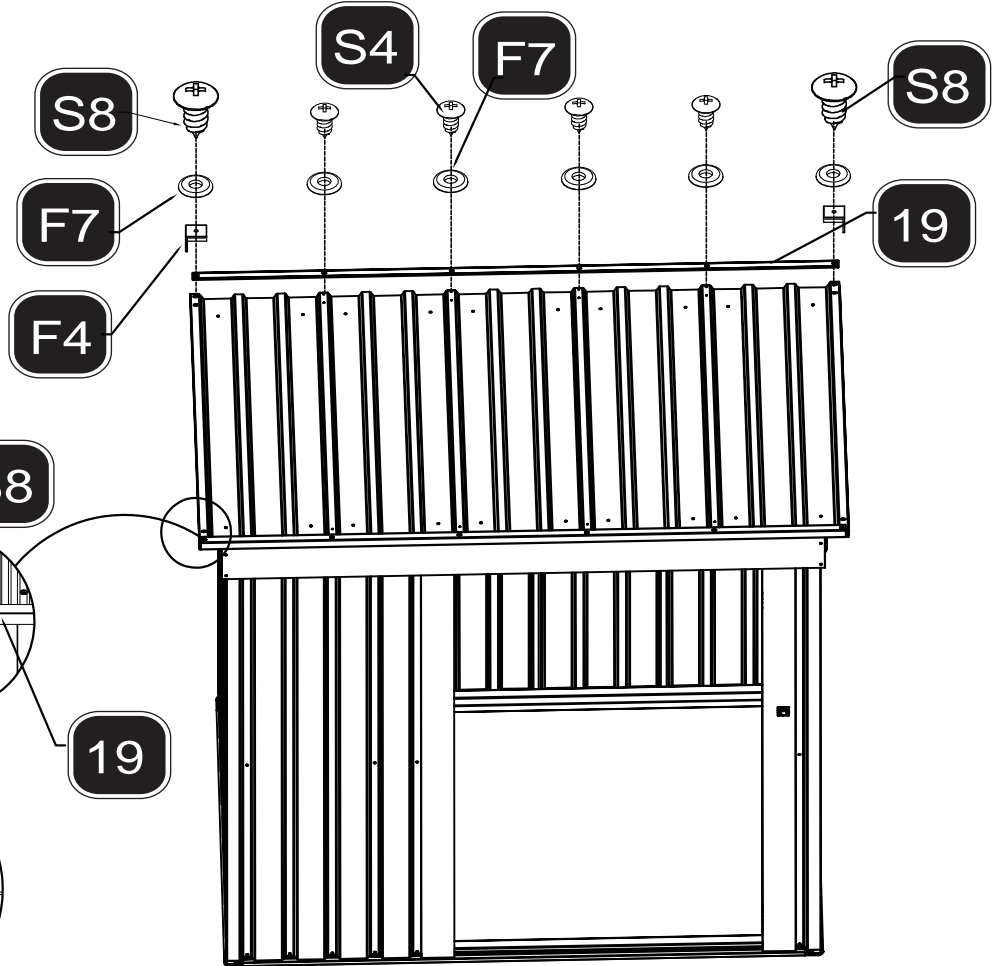
PART	NO.	QTY.
 997.3mm	20	2
	S4	4
	F7	4

S4

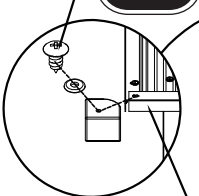


STEP14

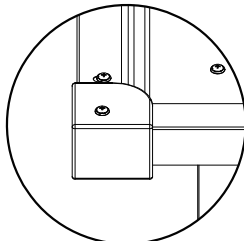
PART	NO.	QTY.
 1625mm	19	2
	S4	8
	S8	4
	F4	4
	F7	12



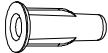
S8

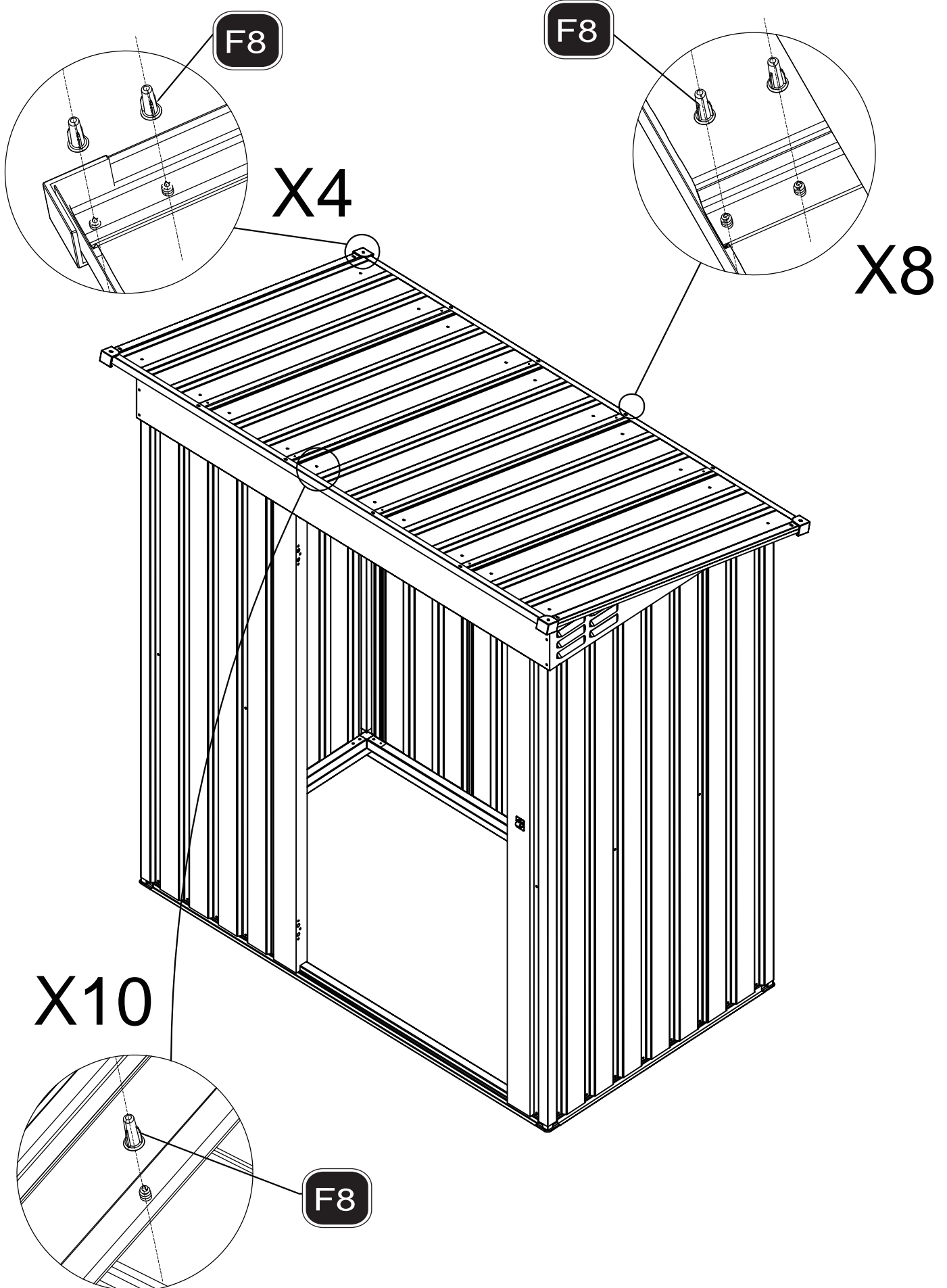


19


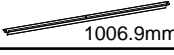





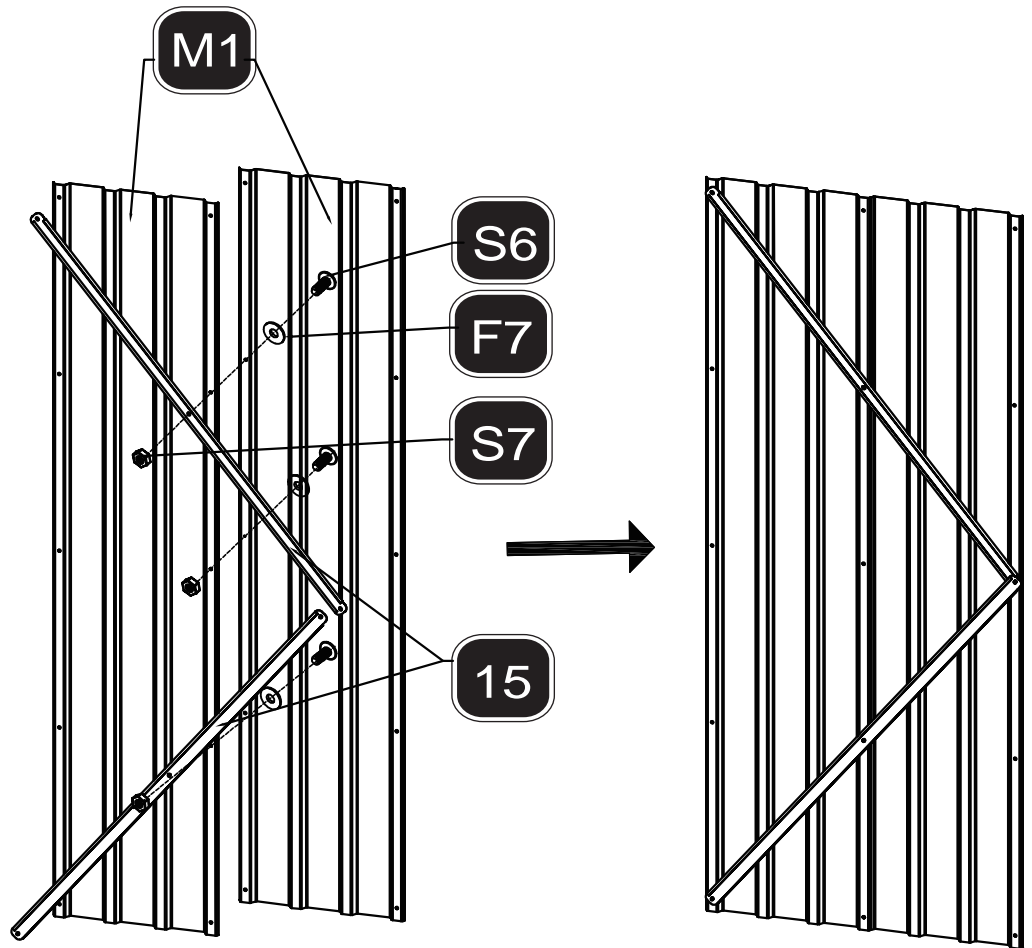
STEP15

PART	NO.	QTY.
	F8	34

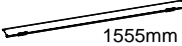


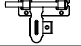


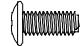
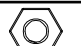



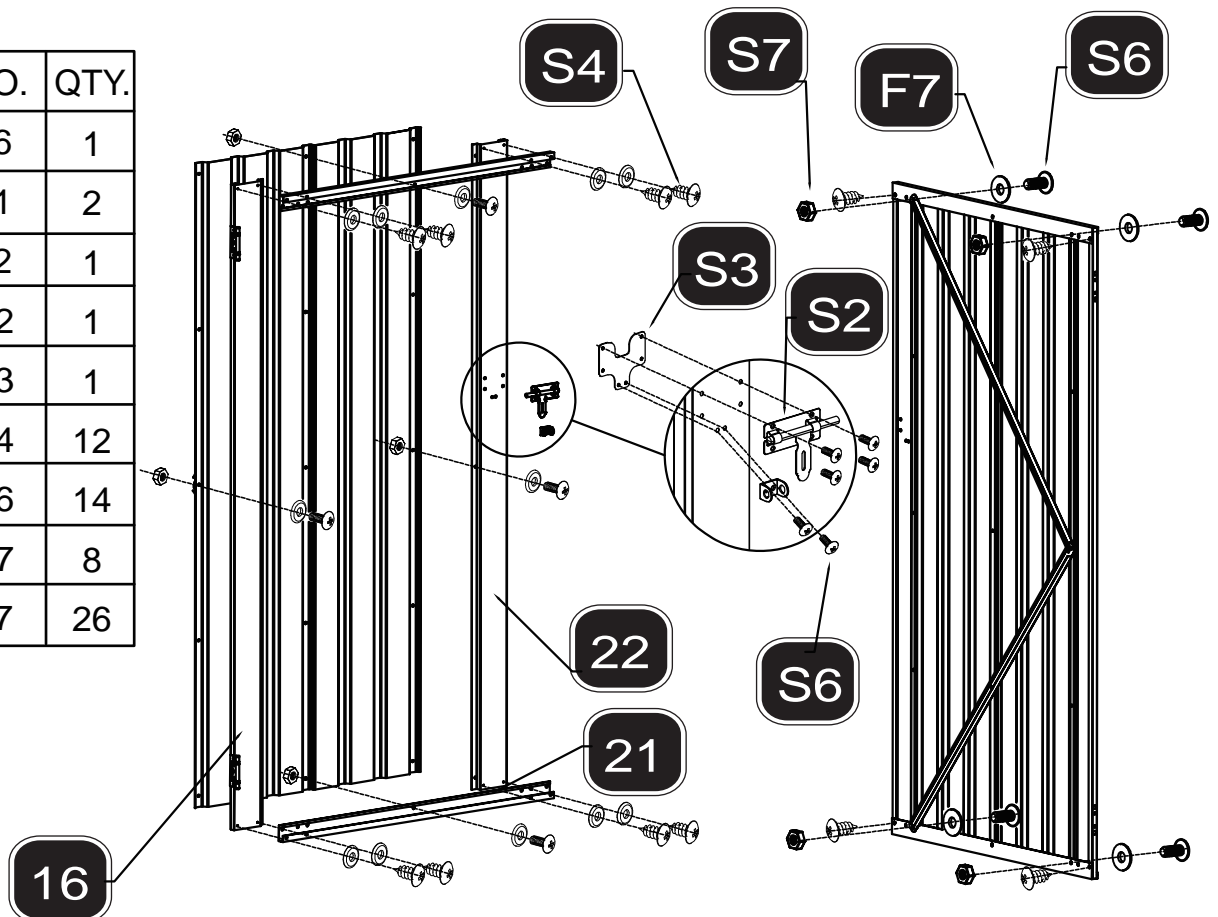
STEP16

PART	NO.	QTY.
 1553mm	M1	2
 1006.9mm	15	2
	S6	3
	S7	3
	F7	3






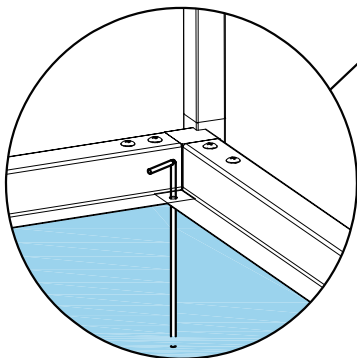
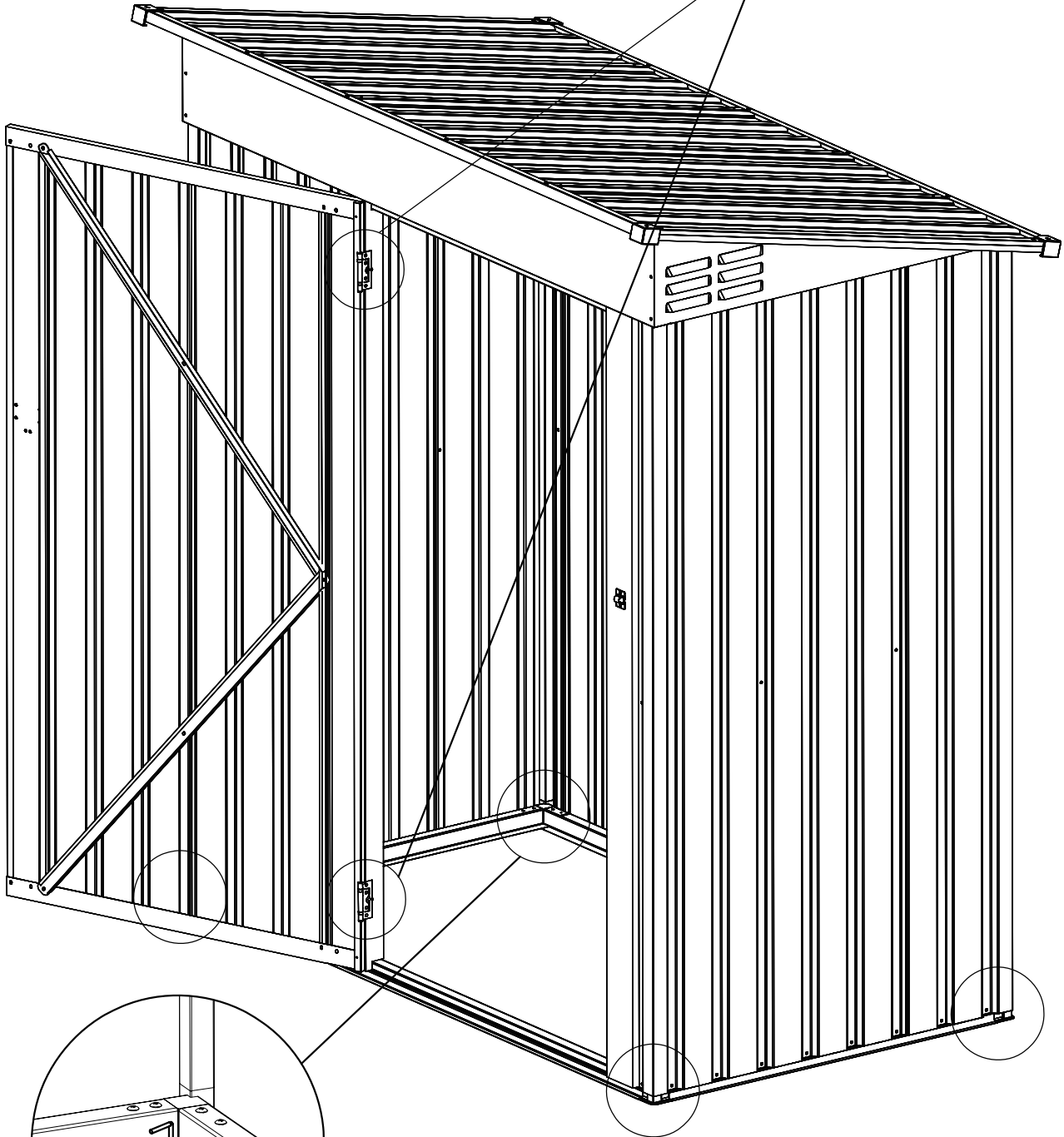
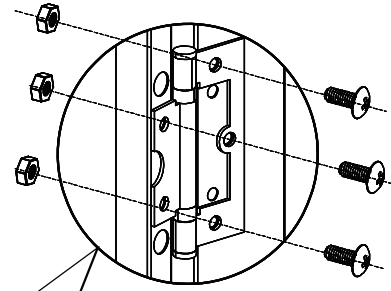
STEP17

PART	NO.	QTY.
 1555mm	16	1
 705mm	21	2
 1555mm	22	1
	S2	1
	S3	1
	S4	12
	S6	14
	S7	8
	F7	26



STEP18

PART	NO.	QTY.
	S6	6
	S7	6
	S8	4



X4

*If the shed is installed on grass, the [S9] can be used to increase the stability of the shed.