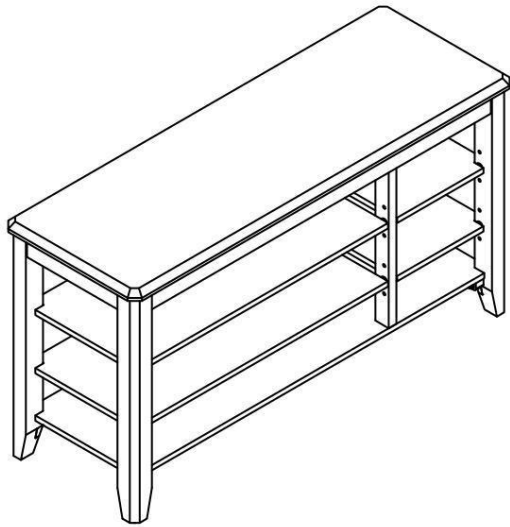


# Installation Diagram

Specification name: Shoe Bench 120CM



## Parts List

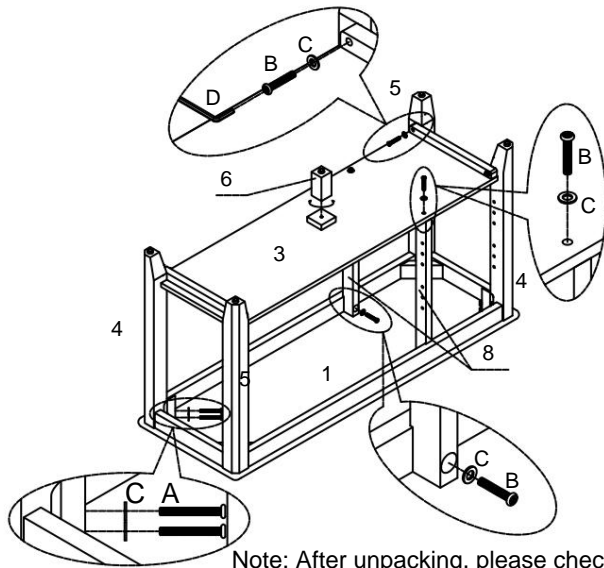
Number	Name	Diagram	Specification	Quantity
1	Leather cushion		1200*300*63MM	1
2	Left shelves		862*240*12MM	2
3	Bottom shelf		1130*240*32MM	1
4	Front legs		502*40*40MM	2
5	Rear legs		502*40*40MM	2
6	Middle Leg		55*35*35MM	1
7	Right shelves		242*240*12MM	2
8	Middle vertical bar		412*35*20MM	2

## Hardware Watch

Number	Name	Diagram	Specification	Quantity
A	Round head hexagon socket screw		M6*50MM	8
B	Round head hexagonal screw		M6*35MM	8
C	Flat gasket		M6*13MM	16
D	Hexagon wrench		M4*57MM	1
F	L-shaped shelf tray		∅6*20*16MM	16

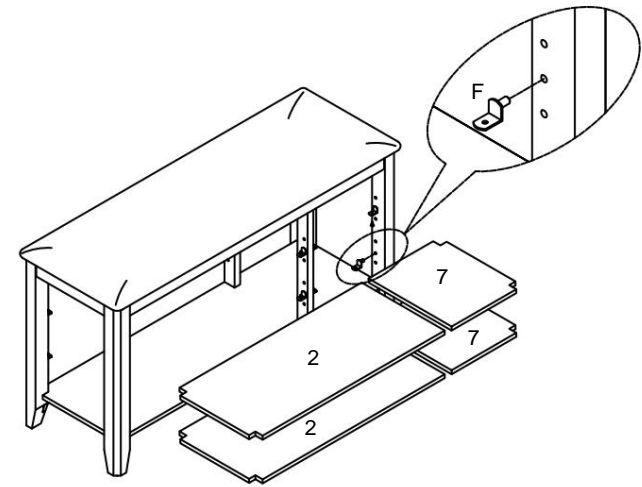


Step 1:



Note: After unpacking, please check whether the product is complete.  
1. First assemble the left foot No. 4 and the right foot No. 5 with the leather cushion 1. Then tighten the middle leg 6 by placing it clockwise as shown.

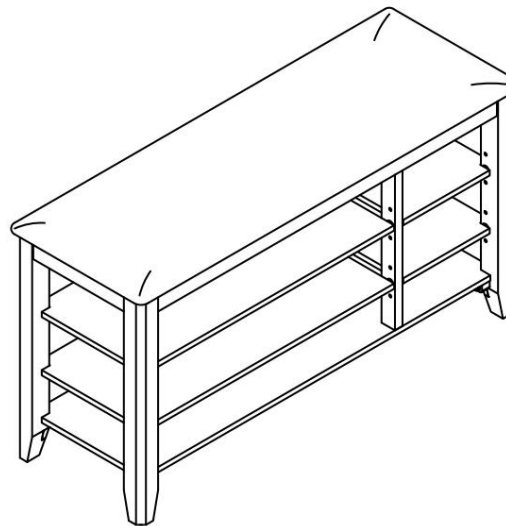
Step 2:



2. Install the shelf support F on the foot column as shown, and then insert the long adjustable shelf 2 and the short adjustable shelf 7 as shown.

Step 3:

Assembly Complete



3. The bottom of the foot column is installed with the adjustment pad, if the floor is uneven, you can adjust the adjustable feet on the bottom to balance it.