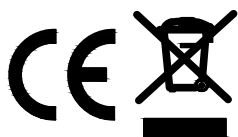
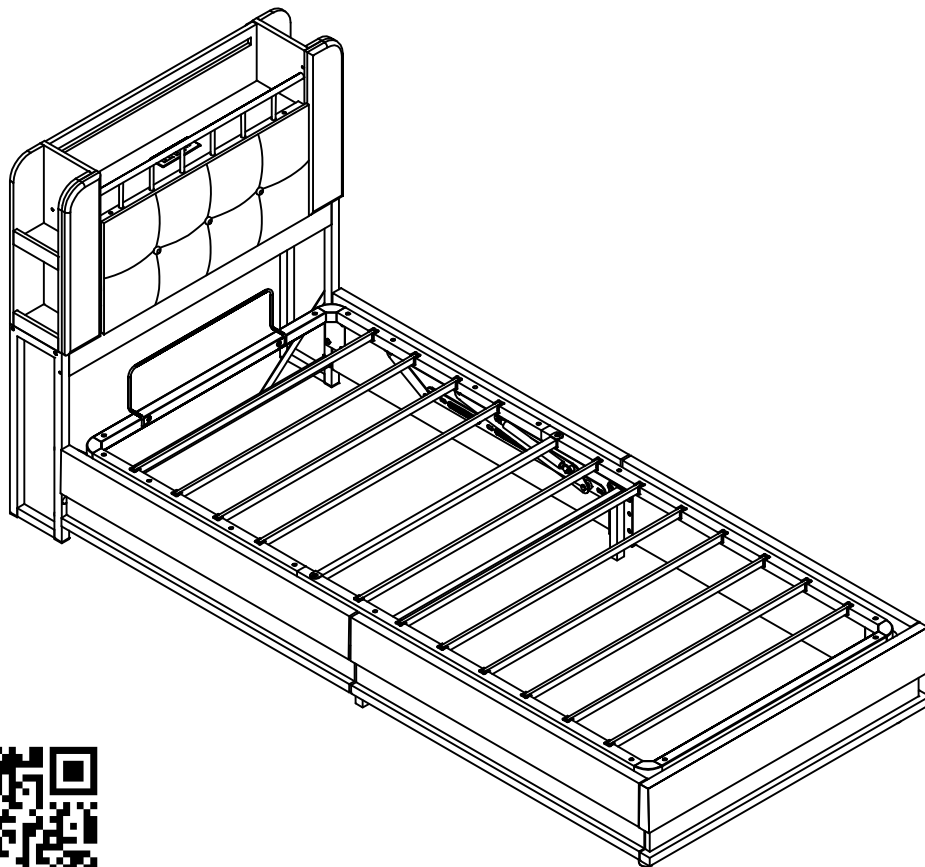


# Montageanleitung | Instructions de montage Assembly Instructions | Instrucciones de montaje

N623P366322/N623P366323



Points de collecte sur [www.quefairedemesdechets.fr](http://www.quefairedemesdechets.fr)  
Privilégiez la réparation ou le don de votre appareil !

- GB** This set comes in 2 boxes. If you do not receive a full set of 2 boxes, please contact our customer service.
- DE** Dieses Set wird in 2 Schachteln geliefert. Wenn Sie nicht ein komplettes Set von 2 Boxen erhalten, kontaktieren Sie bitte unseren Kundenservice.
- FR** Ce set est livré en 2 boîtes. Si vous ne recevez pas un jeu complet de 2 boîtes, veuillez contacter notre service clientèle.

## English

### IMPORTANT FOR GAS LIFT BEDS&MAINTAINANCE

- Please place the mattress on top of the bed frame.
- Please do not pull on the strap handles.
- Please press heavily to release the compressed gas.
- Periodically check all screw & fixings to ensure they are secure.
- When moving your product, carefully lift into place.
- Wipe clean with a slightly damp cloth- please do not use abrasive chemicals or bleach.
- Do NOT allow children to operate the lift mechanism.
- Do NOT allow children near the lift base when operating the mechanism.
- Do NOT stand inside the bed or the internal storage base.
- Do NOT overload the internal storage base.
- DO NOT jump on the product or any of its parts.

## Deutsch

### WICHTIG FÜR GASLIFT-BETTEN&WARTUNG

- Bitte legen Sie die Matratze oben auf den Bettrahmen.
- Bitte ziehen Sie nicht an den Gurtgriffen.
- Bitte drücken Sie kräftig, um das komprimierte Gas freizusetzen.
- Überprüfen Sie regelmäßig alle Schrauben und Befestigungen, um sicherzustellen, dass sie sicher sind.
- Wenn Sie Ihr Produkt bewegen, heben Sie es vorsichtig an seinen Platz.
- Mit einem leicht feuchten Tuch abwischen - bitte keine scheuernden Chemikalien oder Bleichmittel verwenden.
- Erlauben Sie Kindern NICHT, den Hebemechanismus zu bedienen.
- Lassen Sie Kinder NICHT in die Nähe des Liftsockels, wenn Sie den Mechanismus bedienen.
- Stellen Sie sich NICHT in das Bett oder in die Innenablage.
- Überlasten Sie den internen Liftsockel NICHT.
- Springen Sie NICHT auf das Produkt oder eines seiner Teile.

## Français

### IMPORTANT POUR LES LITS À RELEVAGE DE GAZ&MAINTENANCE

- Veuillez placer le matelas sur le dessus du cadre de lit.
- Ne tirez pas sur les poignées de la sangle.
- Appuyez fortement pour libérer le gaz comprimé.
- Vérifiez régulièrement que toutes les vis et fixations sont bien en place.
- Lorsque vous déplacez votre produit, soulevez-le avec précaution pour le mettre en place.
- Nettoyez avec un chiffon légèrement humide - n'utilisez pas de produits chimiques abrasifs ou d'eau de Javel.
- Ne laissez pas les enfants utiliser le mécanisme de levage.
- Ne laissez pas les enfants s'approcher de la base de levage lorsqu'ils actionnent le mécanisme.
- Ne vous tenez PAS à l'intérieur du lit ou de la base de stockage interne.
- Ne surchargez pas la base de stockage interne.
- Ne pas sauter sur le produit ou l'une de ses parties.

## Italiano

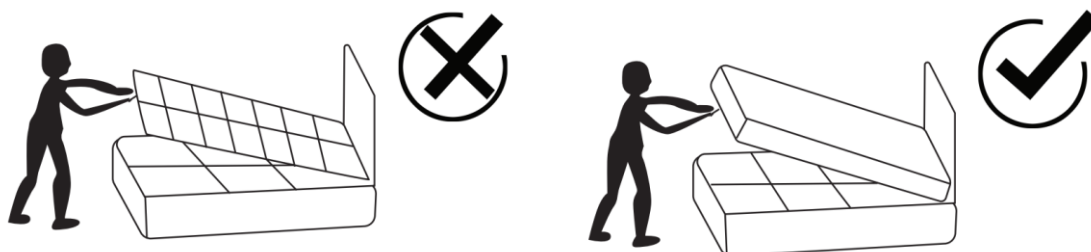
### IMPORTANTE PER I LETTI CON SOLLEVAMENTO A GAS E LA MANUTENZIONE

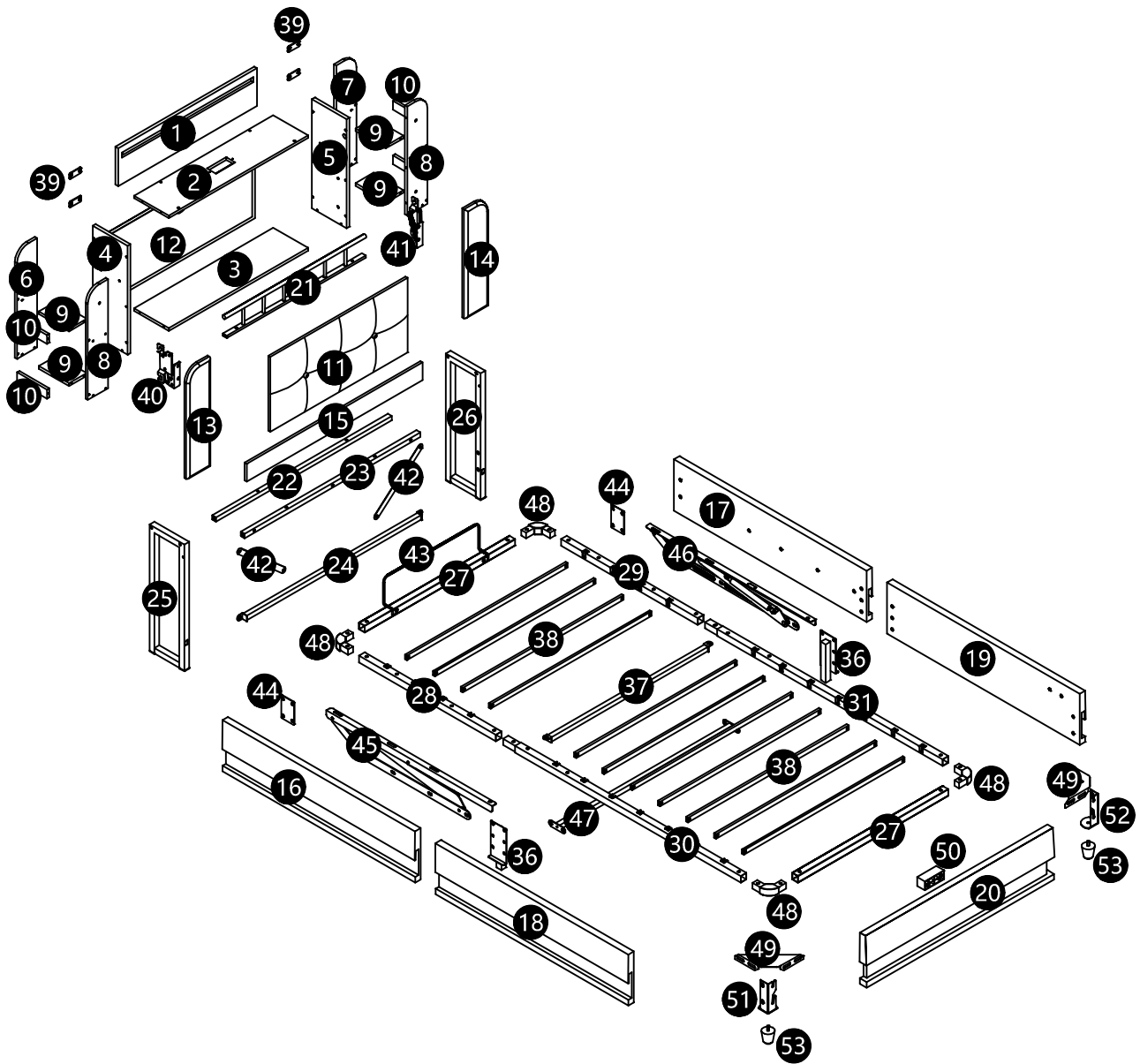
- Posizionare il materasso sopra la struttura del letto.
- Non tirare le maniglie della cinghia.
- Premere con forza per rilasciare il gas compresso.
- Controllare periodicamente tutte le viti e i fissaggi per assicurarsi che siano saldi.
- Quando si sposta il prodotto, sollevarlo con cautela.
- Pulire con un panno leggermente umido, senza usare prodotti chimici abrasivi o candeggina.
- NON permettere ai bambini di azionare il meccanismo di sollevamento.
- NON permettere ai bambini di avvicinarsi alla base di sollevamento quando si aziona il meccanismo.
- NON sostare all'interno del letto o della base di contenimento interna.
- NON sovraccaricare la base di contenimento interna.
- NON saltare sul prodotto o sulle sue parti.

## Español

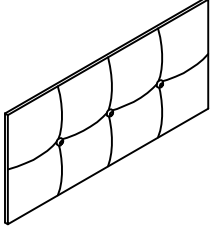
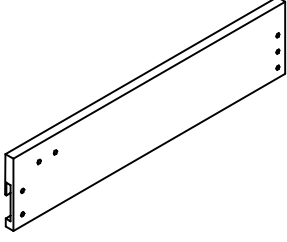
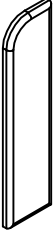
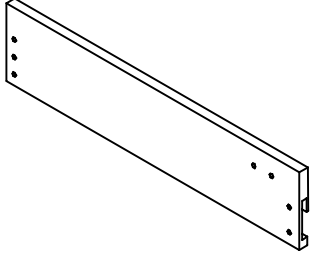

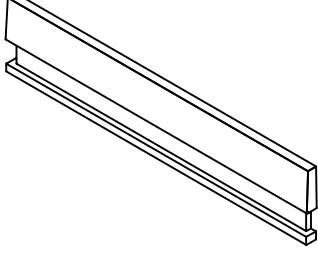
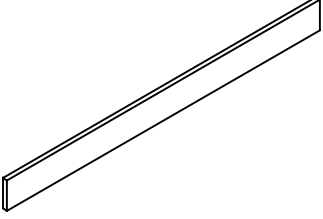
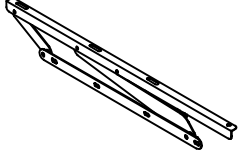
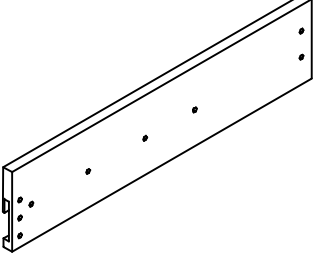
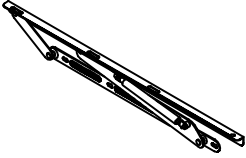
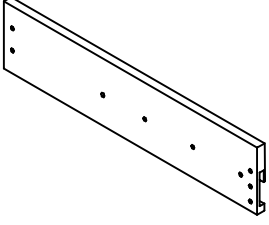
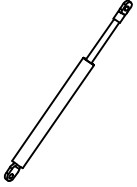
### IMPORTANTE PARA LAS CAMAS ELEVADORAS DE GAS&MANTENIMIENTO

- Coloque el colchón sobre el somier.
- No tire de las asas de la correa.
- Presione con fuerza para liberar el gas comprimido.
- Compruebe periódicamente que todos los tornillos y fijaciones estén bien sujetos.
- Al mover el producto, levántelo con cuidado para colocarlo en su sitio.
- Limpie con un paño ligeramente humedecido; no utilice productos químicos abrasivos ni lejía.
- NO permita que los niños accionen el mecanismo de elevación.
- NO permita que los niños se acerquen a la base elevadora cuando accionen el mecanismo.
- NO se ponga de pie dentro de la cama o de la base de almacenamiento interna.
- NO sobrecargue el somier.
- NO salte sobre el producto ni sobre ninguna de sus piezas.

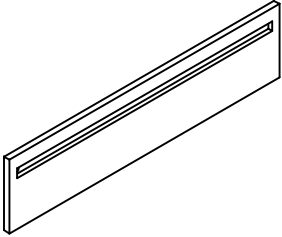

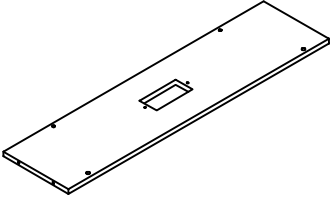

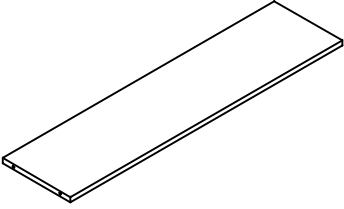
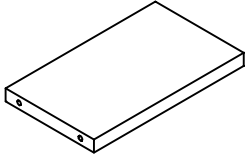
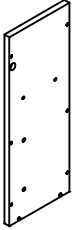
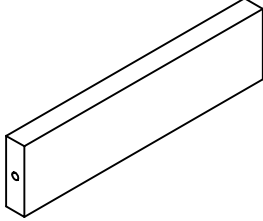
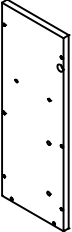
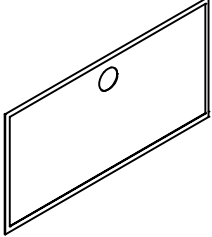

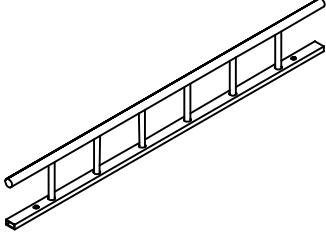




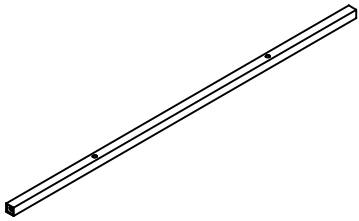
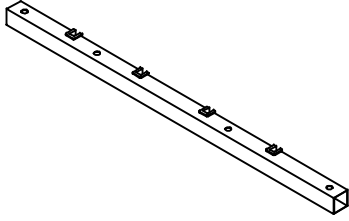
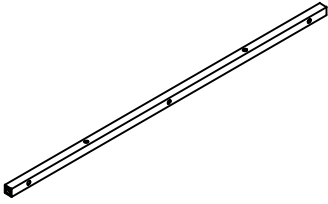
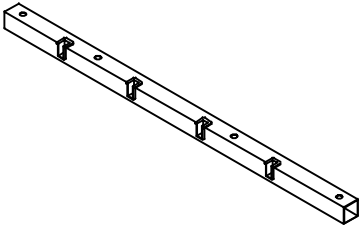
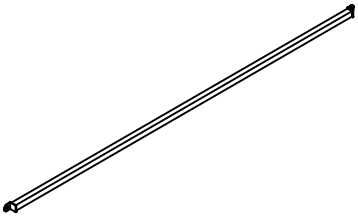
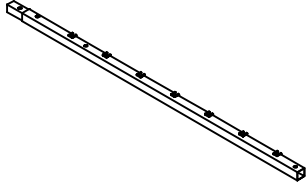
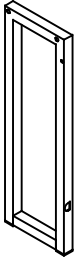
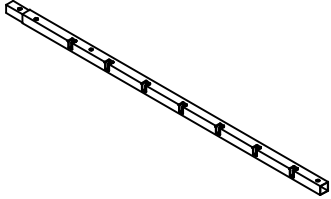

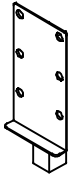
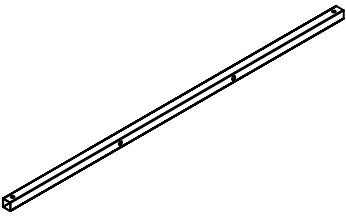
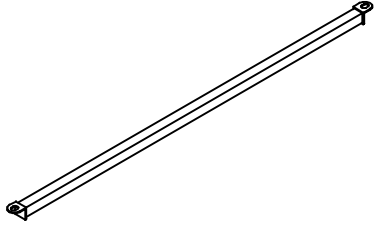
N623P366322

<p>11</p>		<p>X1</p>	<p>18</p>		<p>X1</p>
<p>13</p>		<p>X1</p>	<p>19</p>		<p>X1</p>
<p>14</p>		<p>X1</p>	<p>20</p>		<p>X1</p>
<p>15</p>		<p>X1</p>	<p>45</p>		<p>X1</p>
<p>16</p>		<p>X1</p>	<p>46</p>		<p>X1</p>
<p>17</p>		<p>X1</p>	<p>O</p>		<p>X2</p>

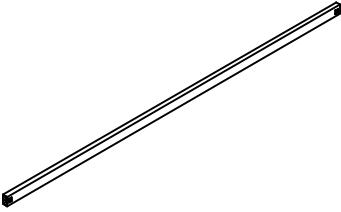
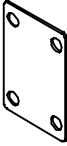
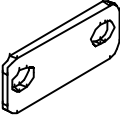
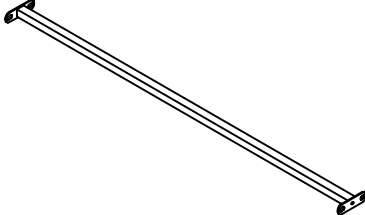
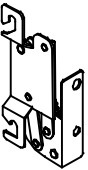
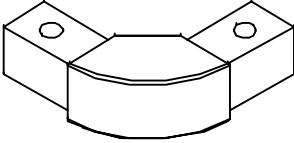

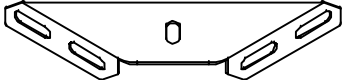

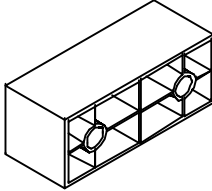
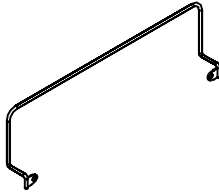
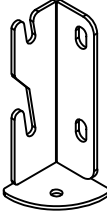
N623P366323

<p>1</p>		<p>X1</p>	<p>7</p>		<p>X1</p>
<p>2</p>		<p>X1</p>	<p>8</p>		<p>X2</p>
<p>3</p>		<p>X1</p>	<p>9</p>		<p>X4</p>
<p>4</p>		<p>X1</p>	<p>10</p>		<p>X4</p>
<p>5</p>		<p>X1</p>	<p>12</p>		<p>X1</p>
<p>6</p>		<p>X1</p>	<p>21</p>		<p>X1</p>

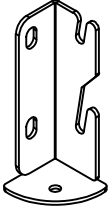
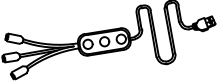

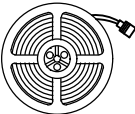
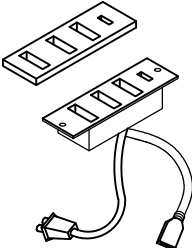

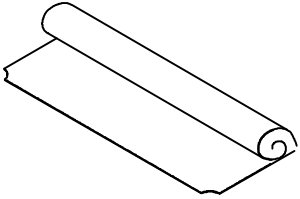

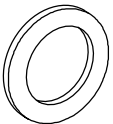
N623P366323

22		X1	28		X1
23		X1	29		X1
24		X1	30		X1
25		X1	31		X1
26		X1	36		X2
27		X2	37		X1

N623P366323






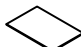

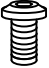



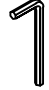

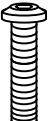




38		X11	44		X2
39		X4	47		X1
40		X1	48		X4
41		X1	49		X2
42		X2	50		X1
43		X1	51		X1

N623P366323

<p>52</p>		<p>X1</p>	<p>58</p>	 <p>Power cord</p>	<p>X1</p>
<p>53</p>		<p>X2</p>	<p>59</p>	 <p>Light strip</p>	<p>X2</p>
<p>54</p>		<p>X1</p>	<p>60</p>	 <p>Magic tape</p>	<p>X6</p>
<p>55</p>		<p>X1</p>			
<p>56</p>		<p>X1</p>			
<p>57</p>		<p>X1</p>			




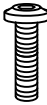


# Hardware List-Hardware-Liste-Liste du matériel

N623P366323

<b>A</b>	 M3*12	X2+1	<b>G</b>	 M8*15	X44+6	<b>N</b>	 M4*50	X2+1
<b>B</b>	 M6*18	X2+1	<b>H</b>	 M8*20	X8+1	<b>P</b>	 Silent sticker	X2
<b>C</b>	 M5*35	X46+2	<b>I</b>	 M8*12	X8+1	<b>Q</b>	 M6	X1
<b>D</b>	 M6*20	X6+1	<b>J</b>	 M8*35	X2+1	<b>R</b>	 M5	X1
<b>E</b>	 M6*50	X4+1	<b>K</b>	 M8*45	X8+1	<b>S</b>	 M8	X1
<b>F</b>	 M6*32	X4+1	<b>M</b>	 M6*10	X12+1	<b>T</b>	 X1	X1

# Hardware List-Hardware-Liste-Liste du matériel

N623P366323

	 M8	X1						
	 M6*28	X4+1						
	 M8	X12+1						

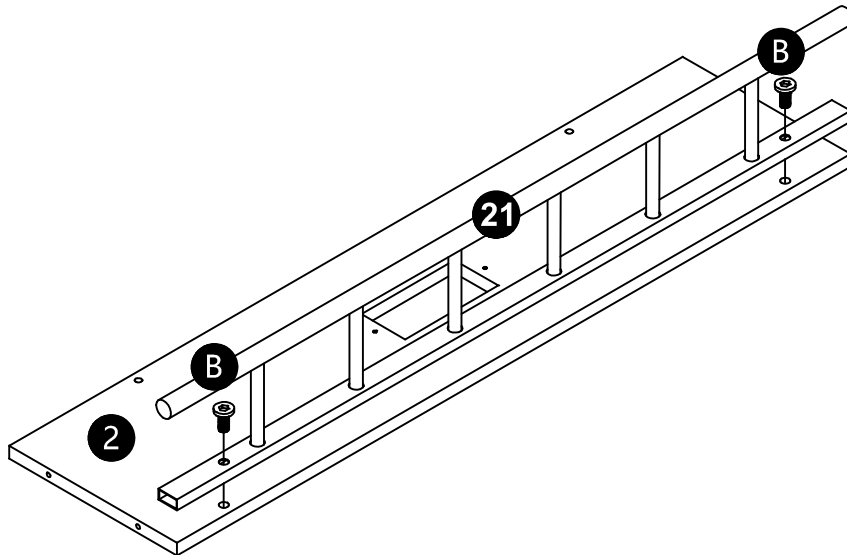
# 1



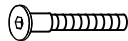
M6X18  
BX2pcs



M6  
QX1pc



# 2

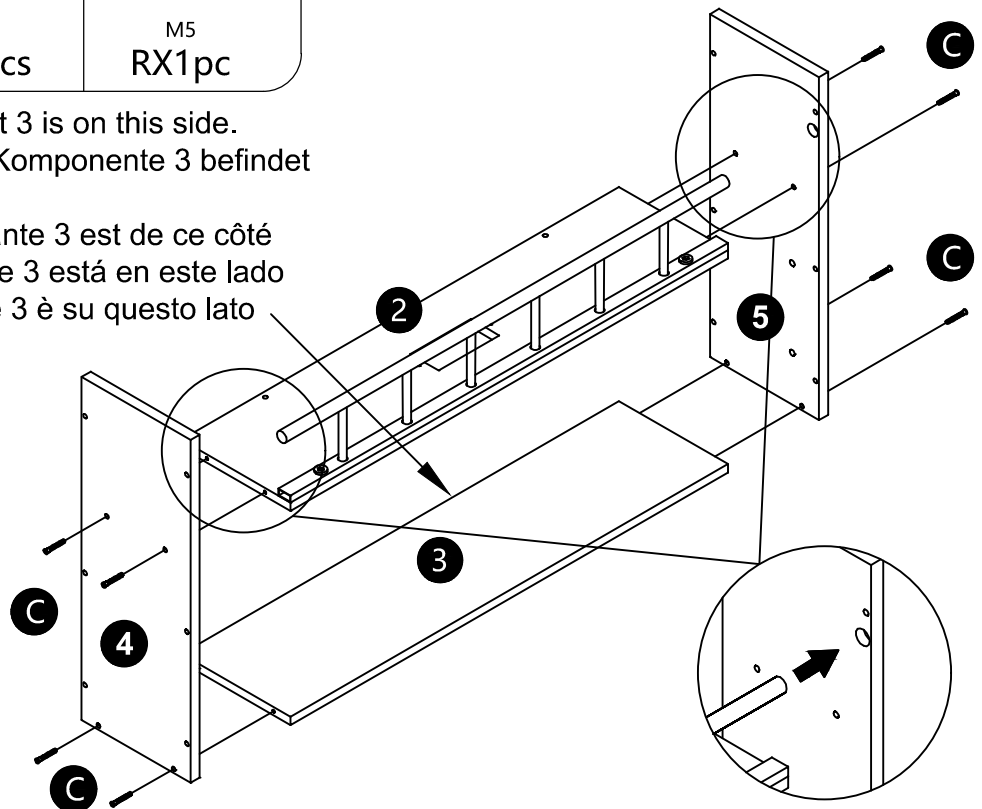


M5\*40  
CX8pcs

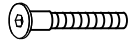


M5  
RX1pc

- \*The Velcro of component 3 is on this side.
- \*Der Klettverschluss der Komponente 3 befindet sich auf dieser Seite
- \*Le Velcro de la composante 3 est de ce côté
- \*El Velcro del componente 3 está en este lado
- \*Il Velcro del componente 3 è su questo lato



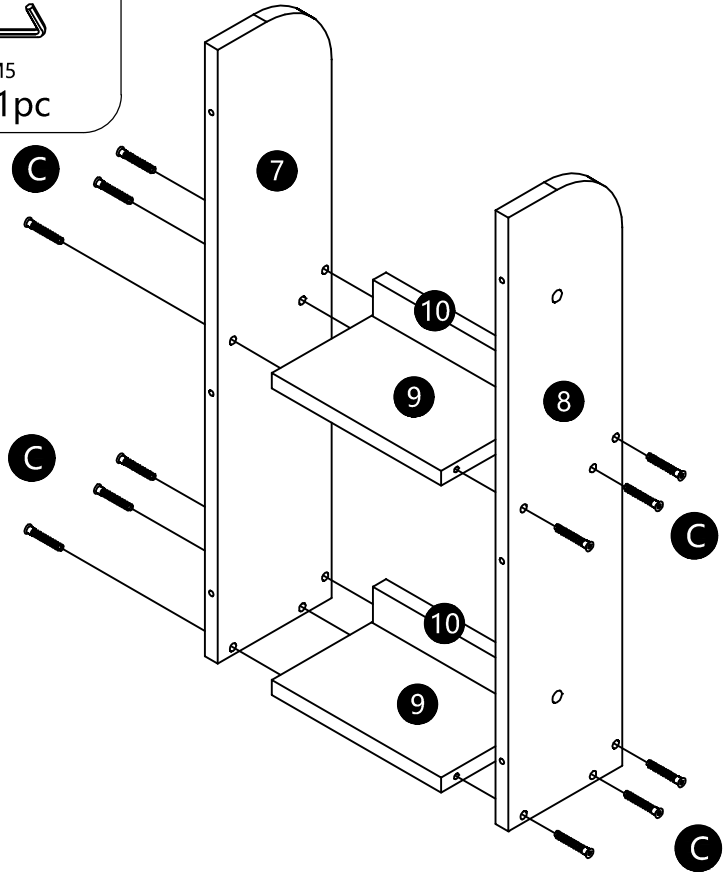
# 3



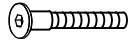
M5\*40  
CX12pcs



M5  
RX1pc



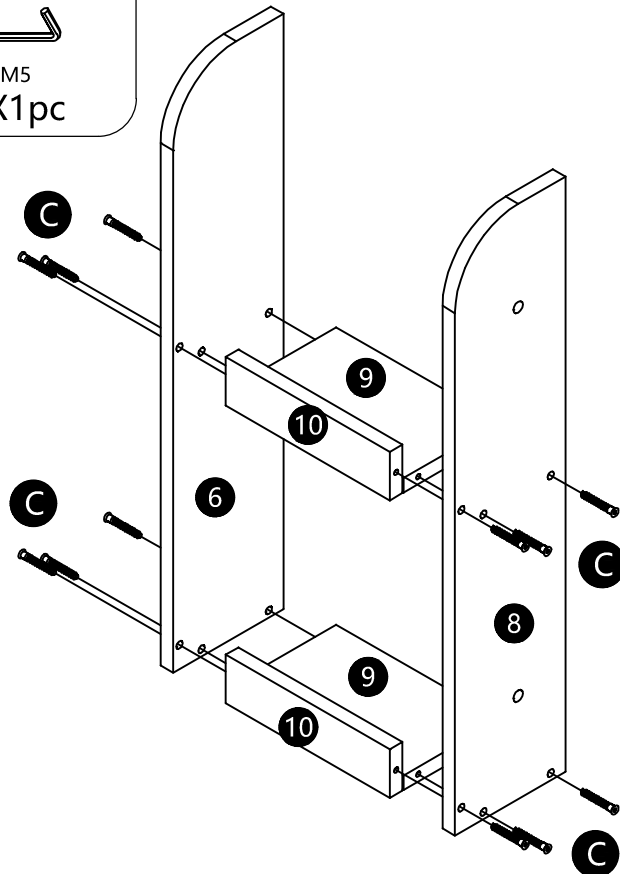
# 4



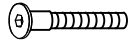
M5\*40  
CX12pcs



M5  
RX1pc



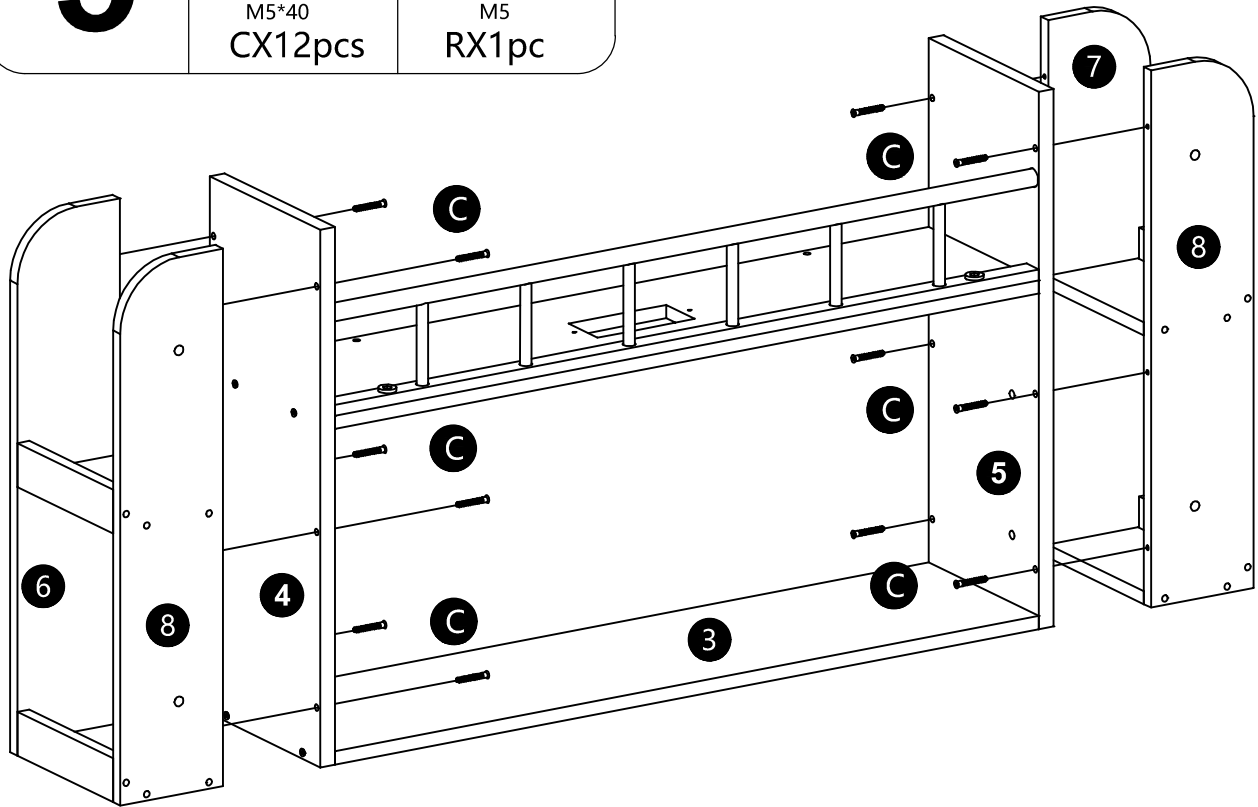
# 5



M5\*40  
CX12pcs



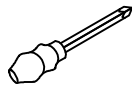
M5  
RX1pc



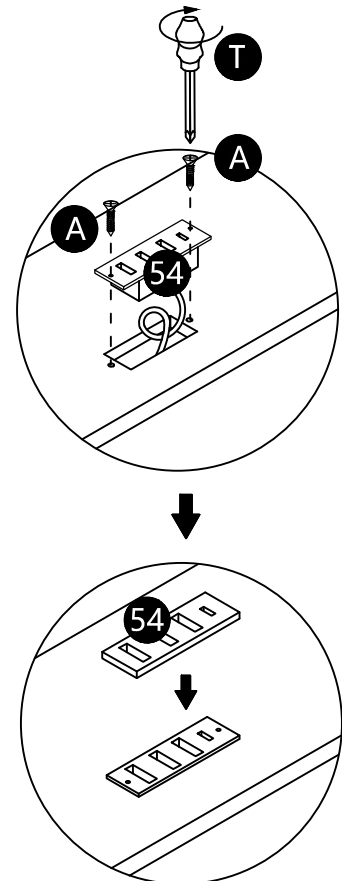
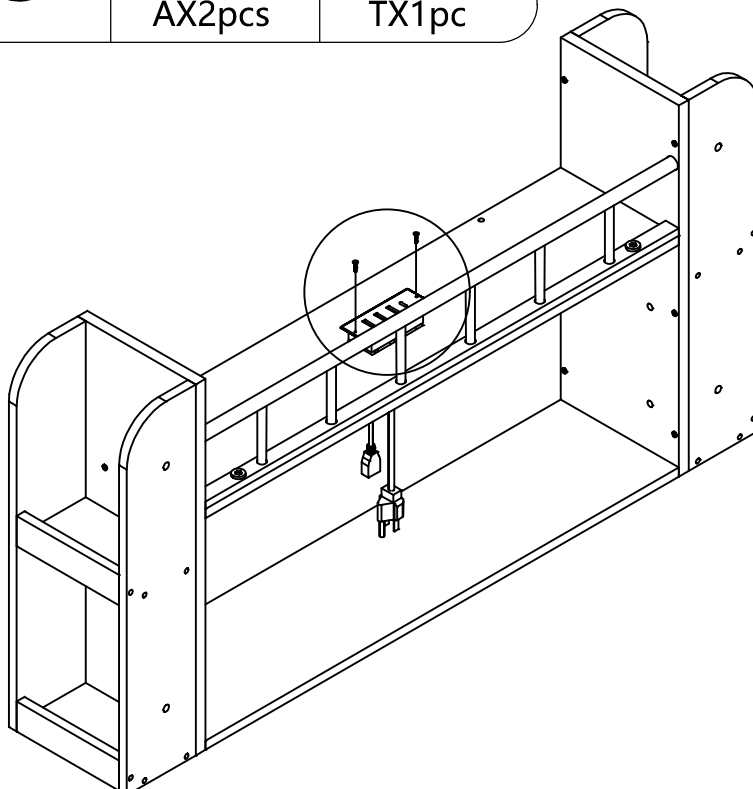
# 6



M3\*12  
AX2pcs



TX1pc



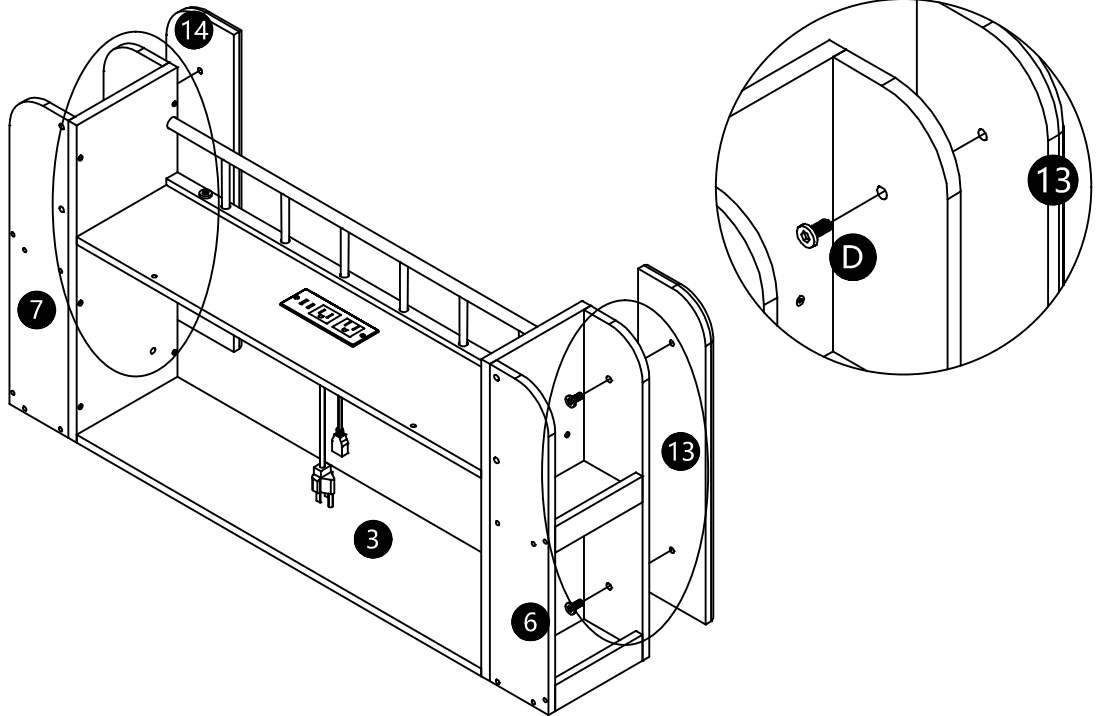
# 7



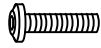
M6X20  
DX4pcs



M6  
QX1pc



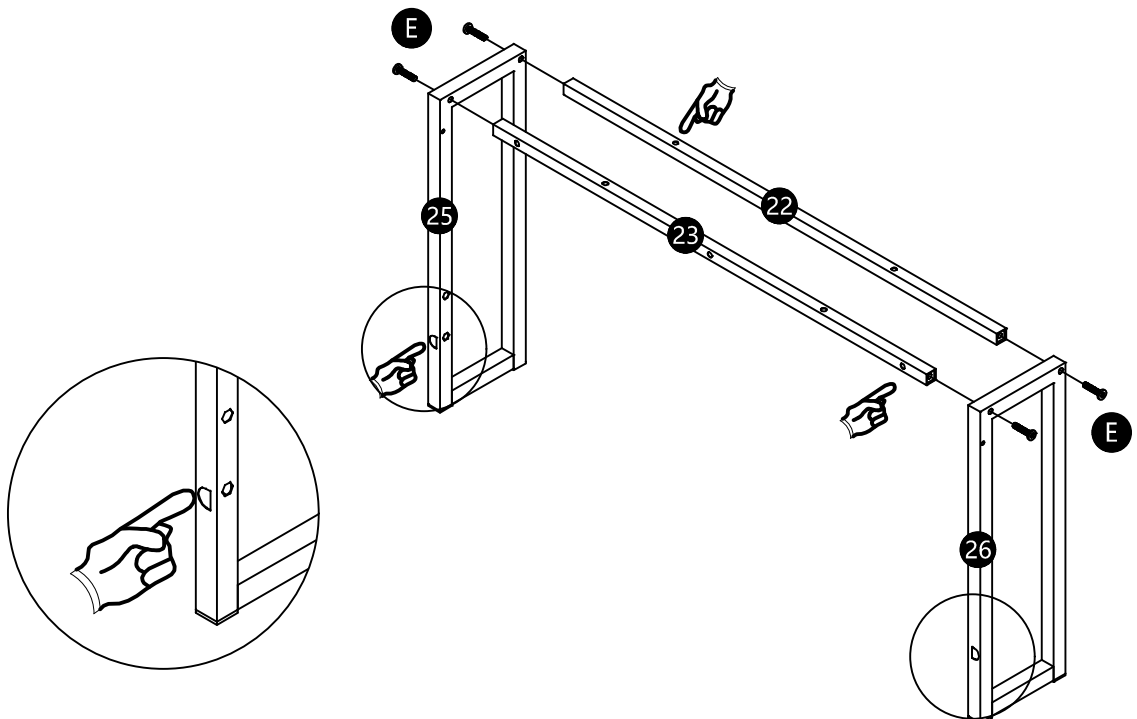
# 8



M6\*50  
EX4pcs



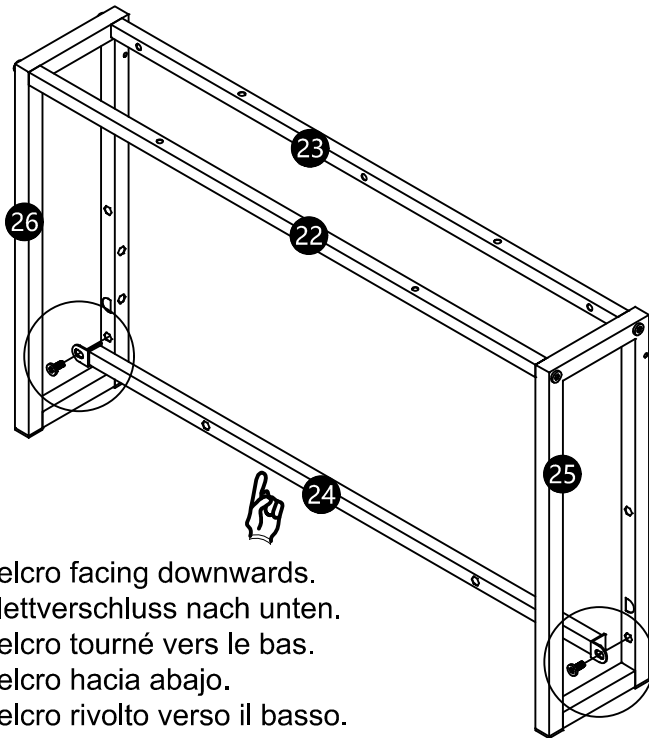
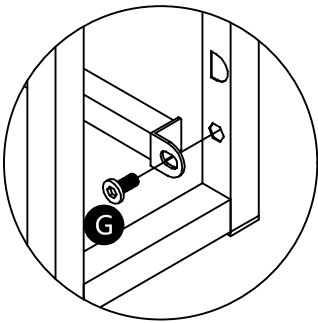
M6  
QX1pc



# 9

M8\*15  
GX2pcs

M8  
SX1pc

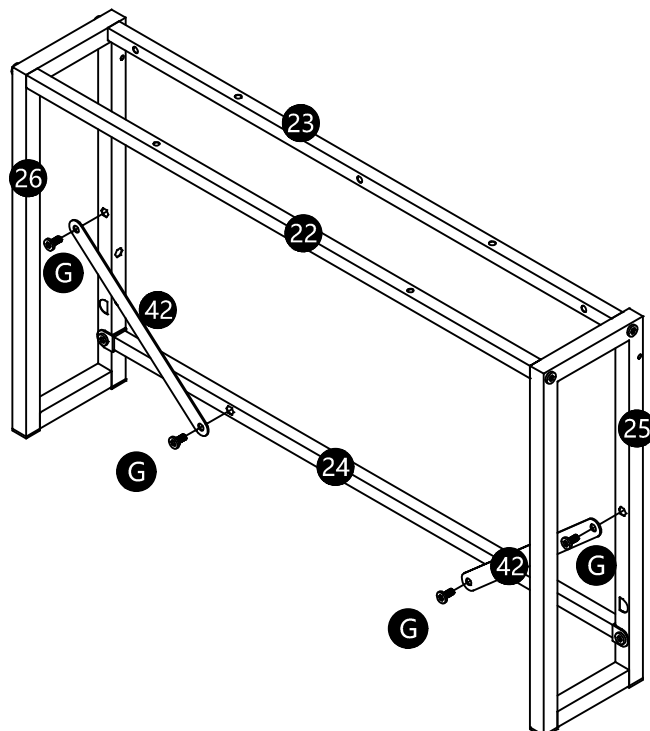


- \*Velcro facing downwards.
- \*Klettverschluss nach unten.
- \*Velcro tourné vers le bas.
- \*Velcro hacia abajo.
- \*Velcro rivolto verso il basso.

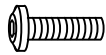
# 10

M8\*15  
GX4pcs

M8  
SX1pc



# 11

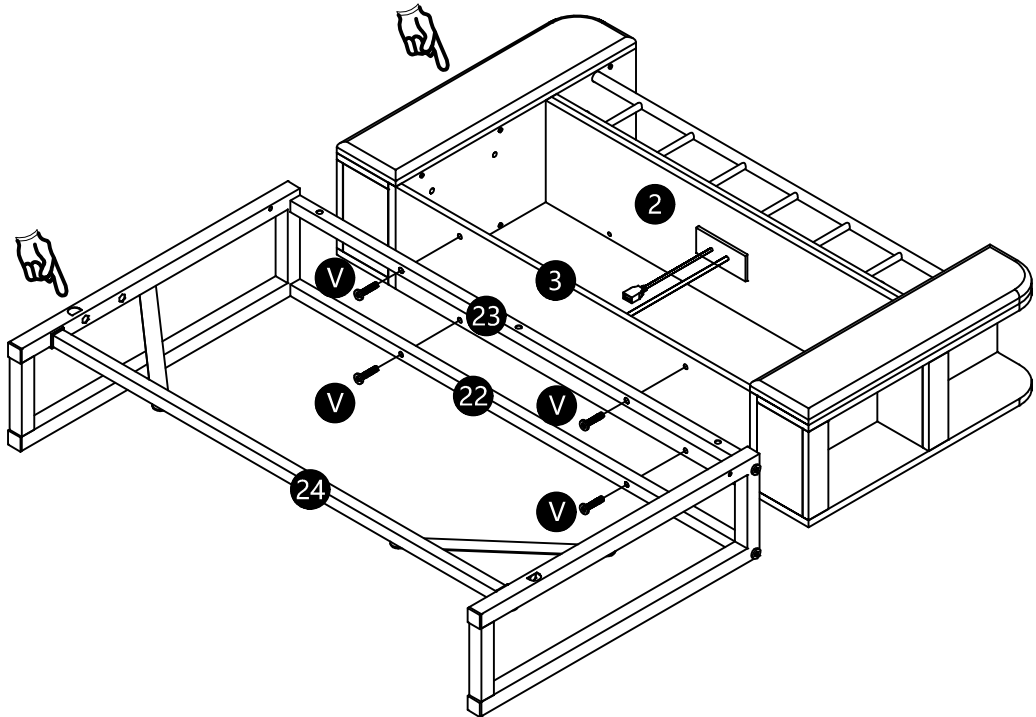


M6x28  
VX4pcs



M6  
QX1pc

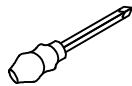
\*Pay attention to the installation direction.  
\*Achten Sie auf die Installationsrichtung.  
\*Faites attention à la direction d'installation  
\*Preste atención a la dirección de instalación  
\*Prestare attenzione alla direzione di installazione



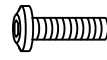
# 12



M4\*50  
NX2pcs



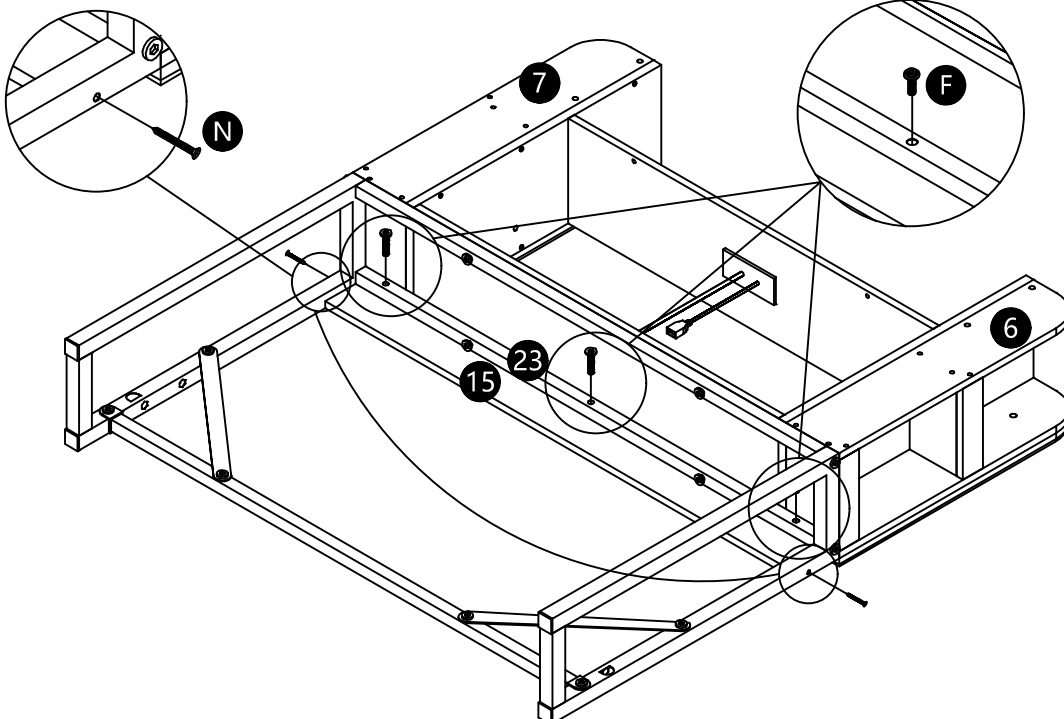
TX1pc



M6\*32  
FX3pcs



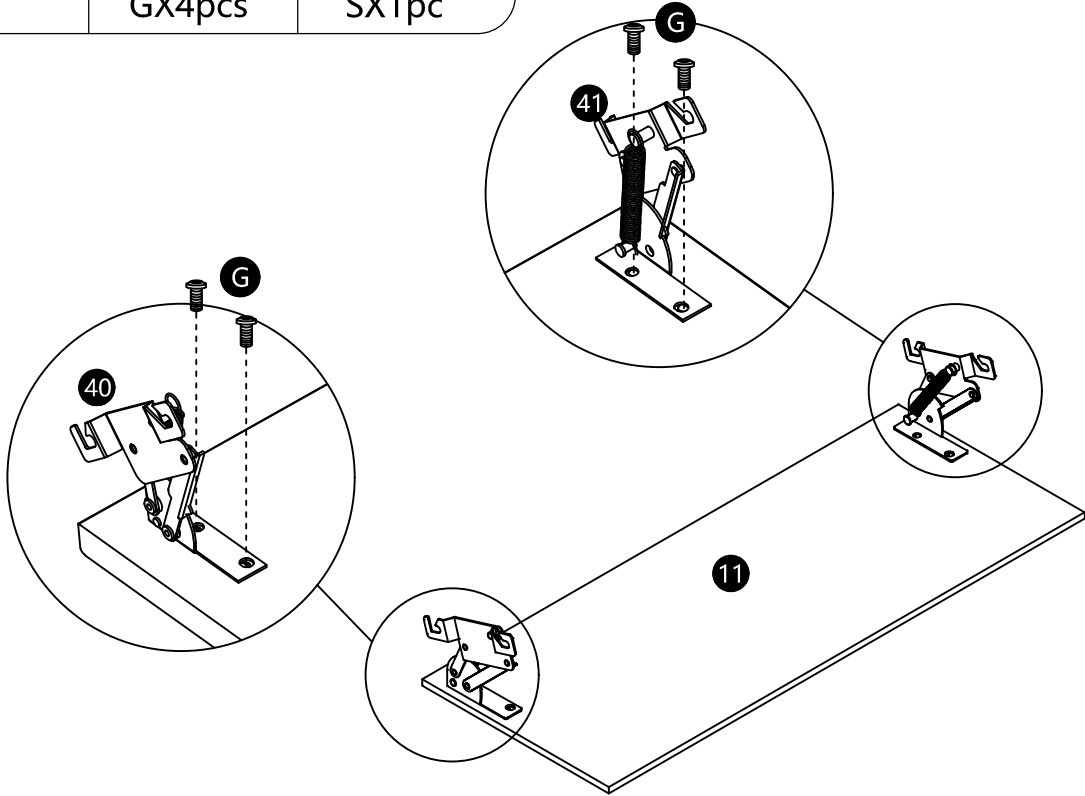
M6  
QX1pc



# 13

M8\*15  
GX4pcs

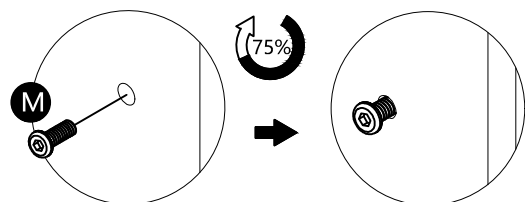
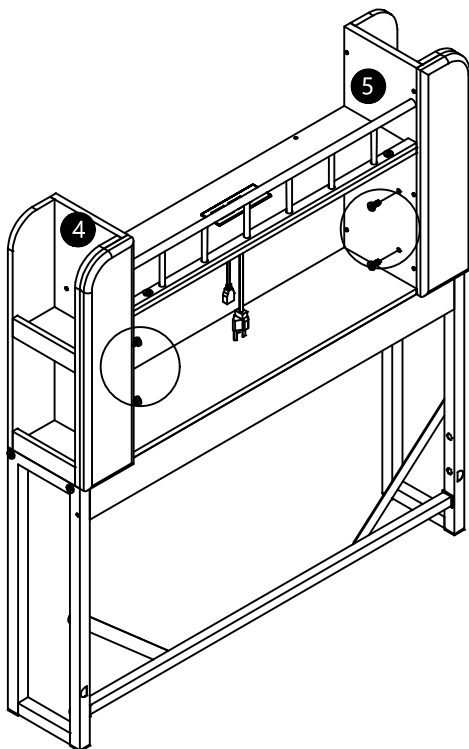
M8  
SX1pc



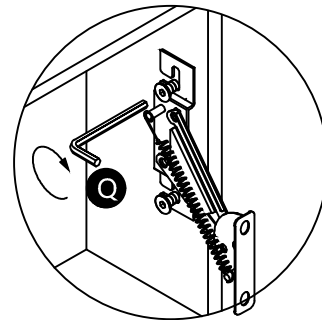
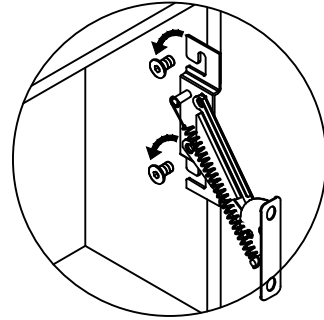
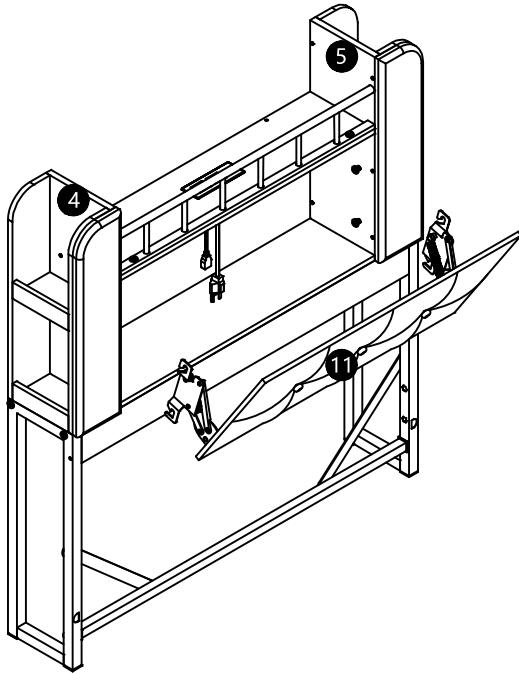
# 14

M6X10  
MX4pcs

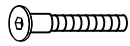
M6  
QX1pc



# 14



# 15



M5\*40  
CX2pcs



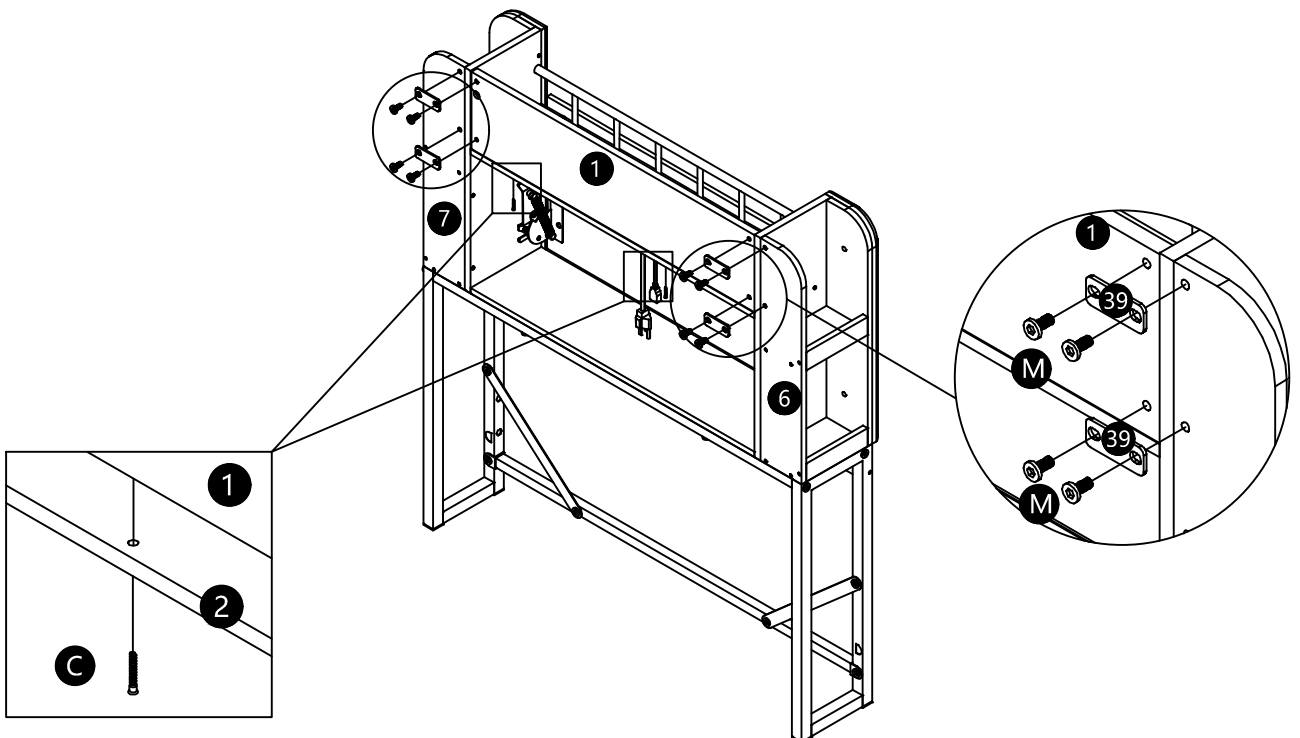
M5  
RX1pc



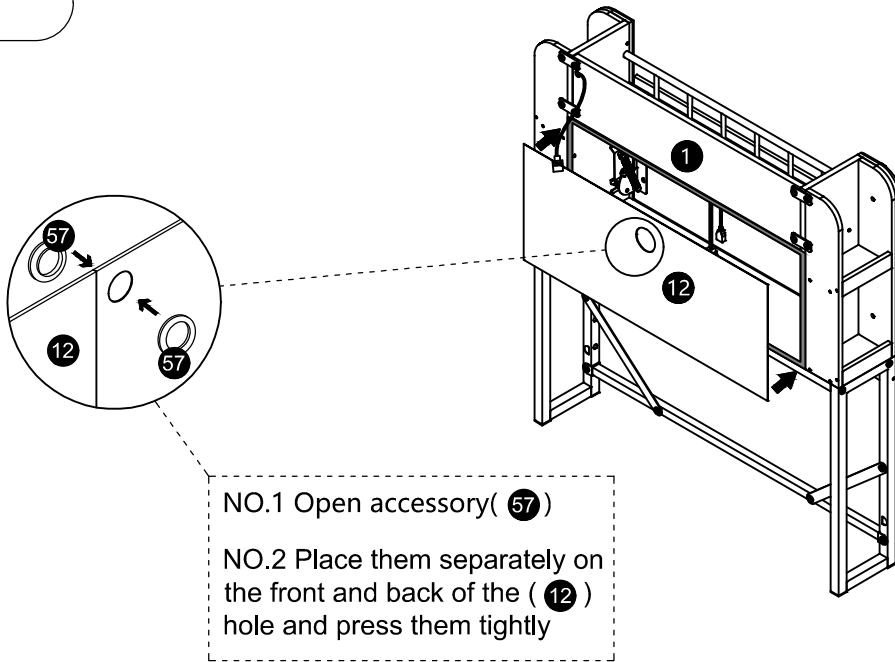
M6X10  
MX8pcs



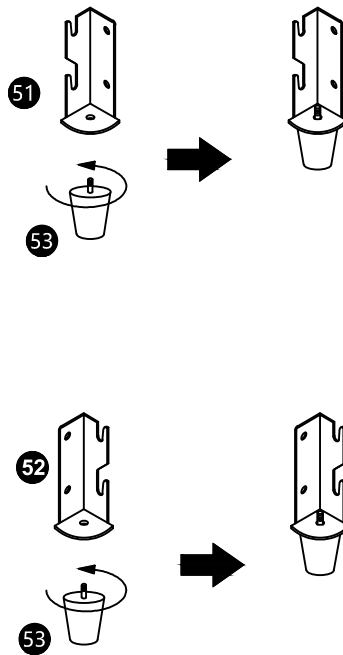
M6  
QX1pc



# 16



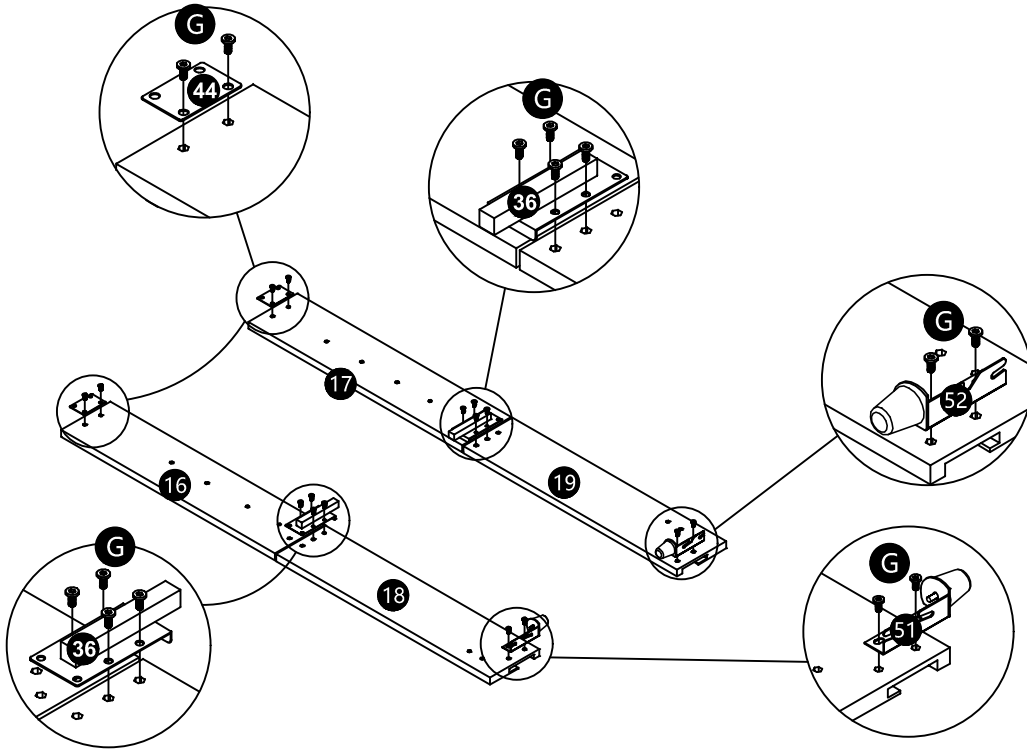
# 17



# 18

M8\*15  
GX16pcs

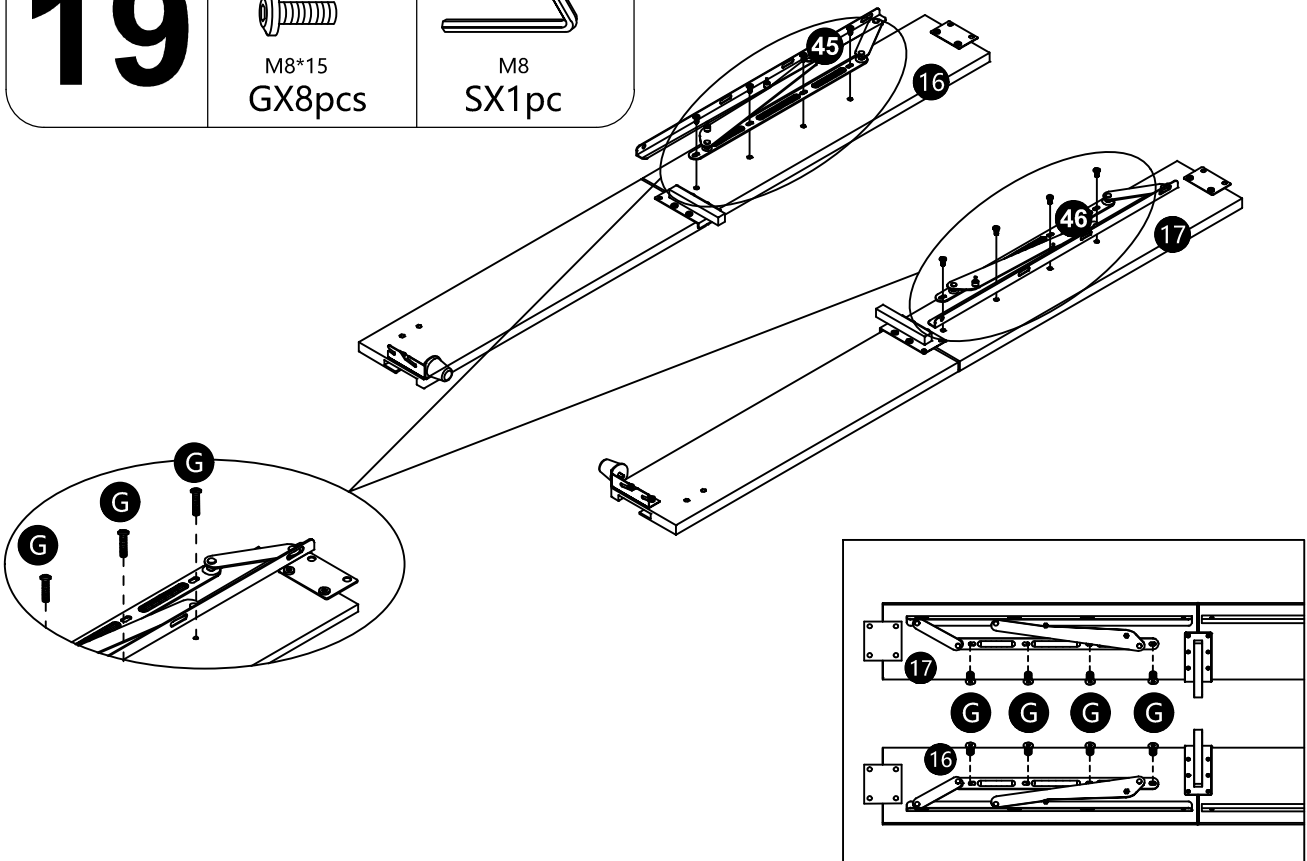
M8  
SX1pc



# 19

M8\*15  
GX8pcs

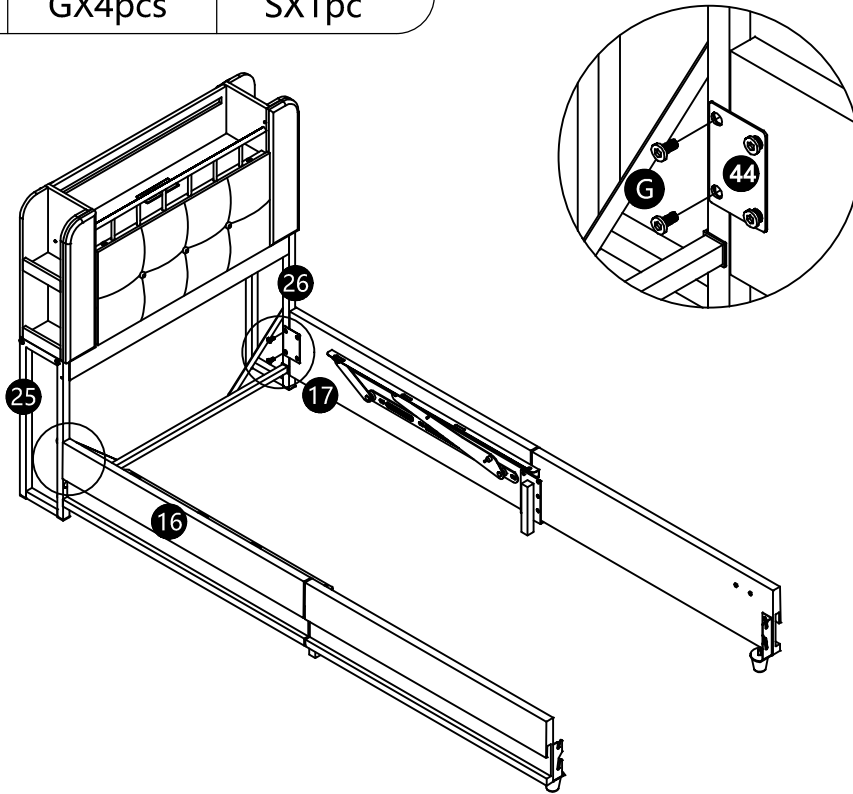
M8  
SX1pc



# 20

M8\*15  
GX4pcs

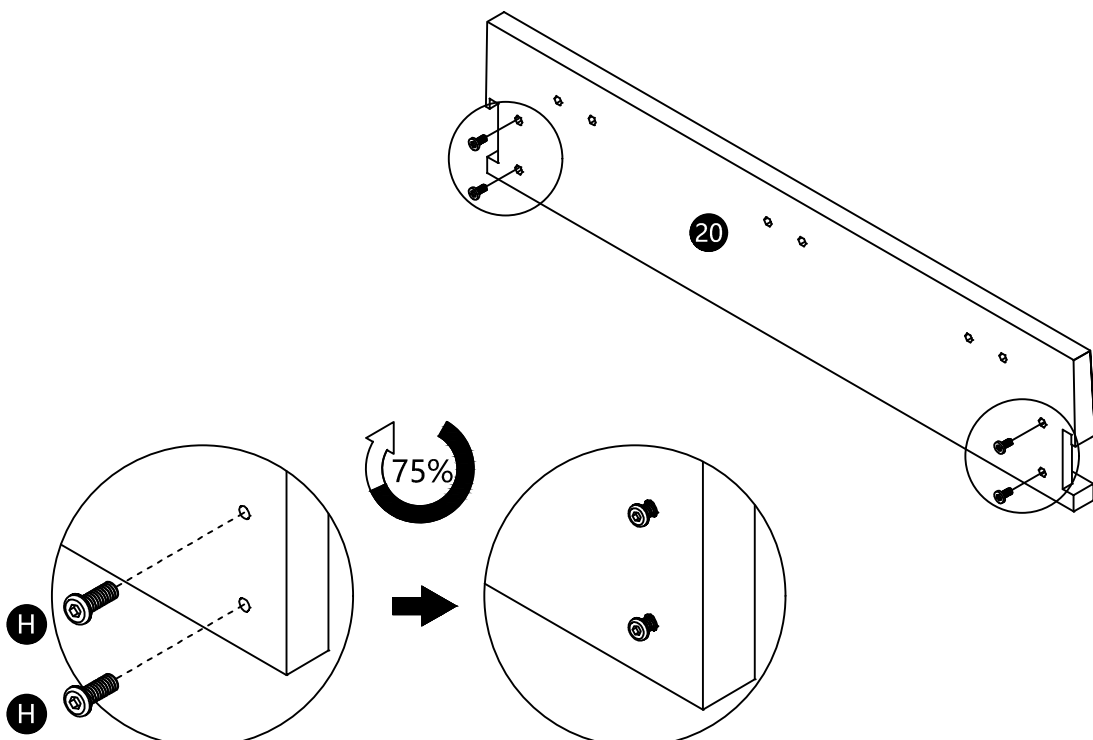
M8  
SX1pc



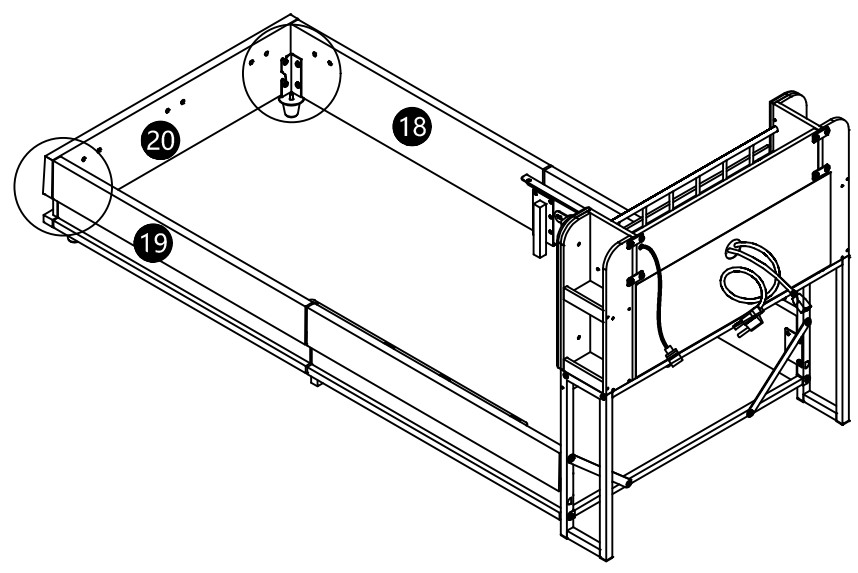
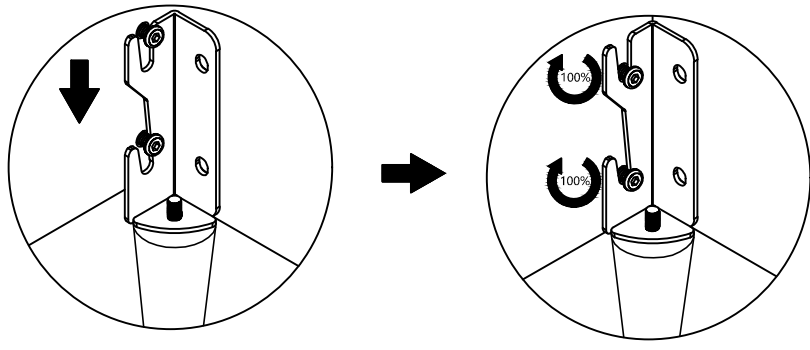
# 21

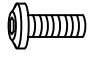
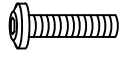
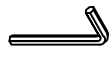
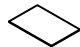
M8\*20  
HX4pcs

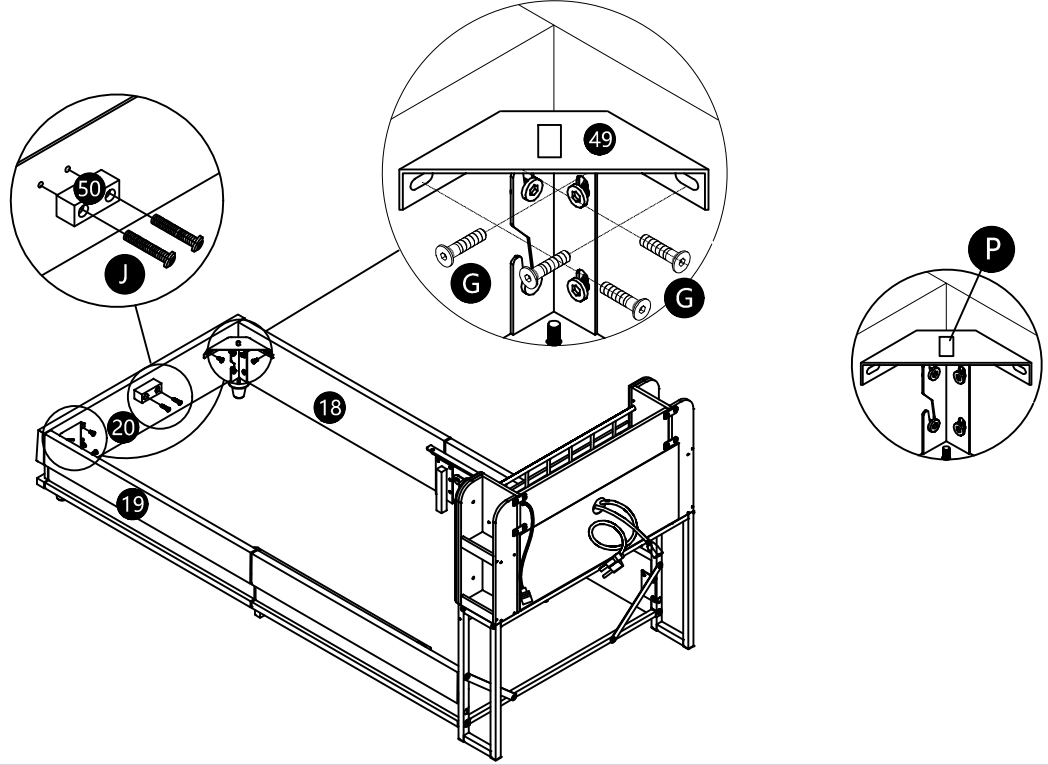
M8  
SX1pc



# 22



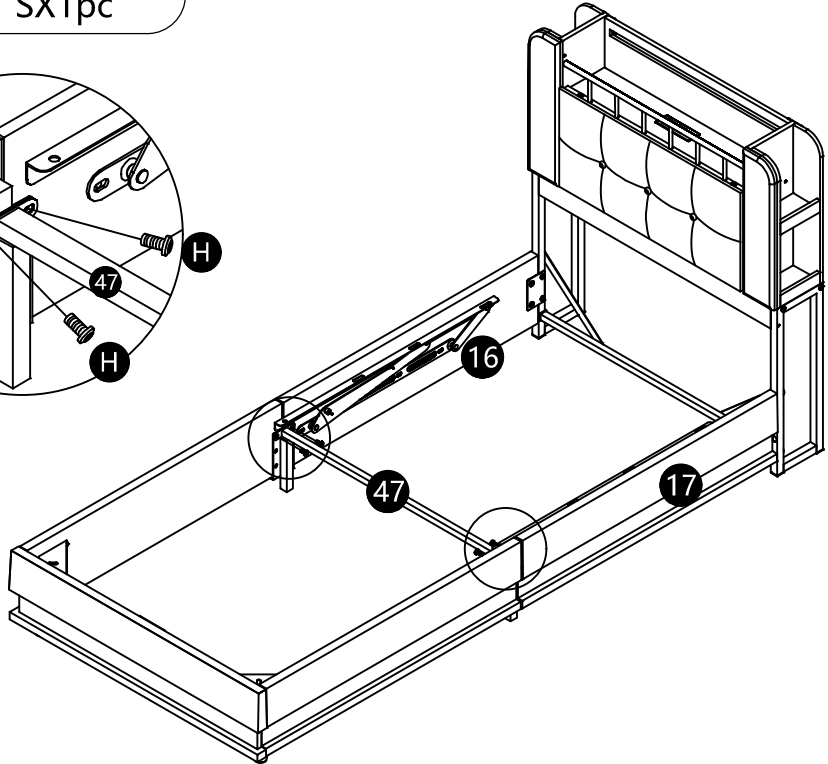
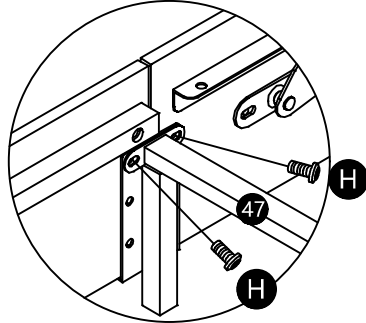
<h1>23</h1>				
	M8*15 GX4pcs	M8*35 JX2pcs	M8 SX1pc	PX2pcs



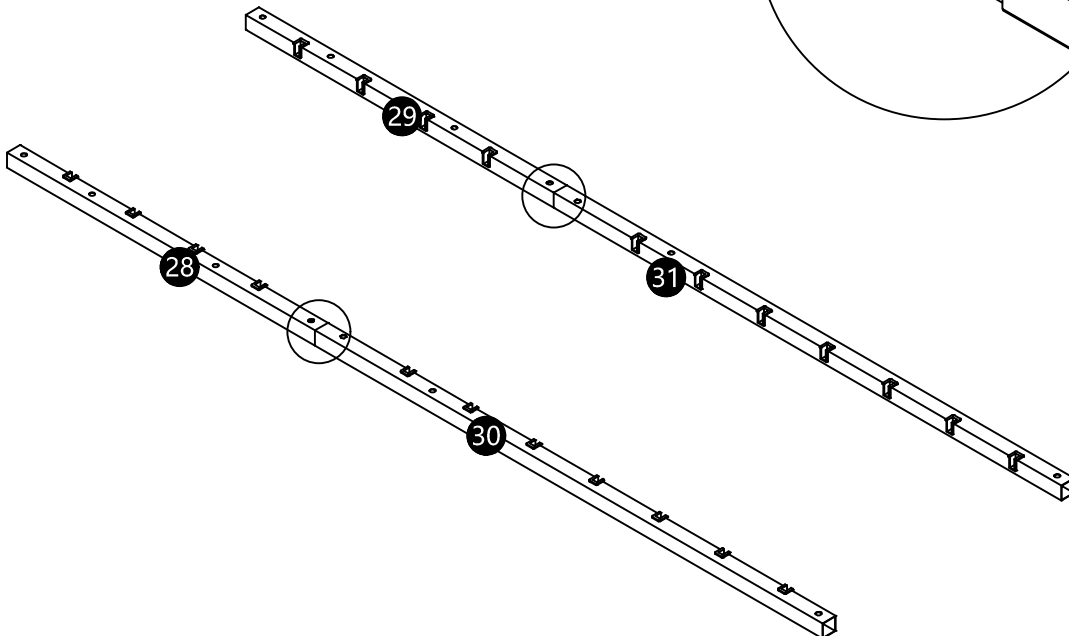
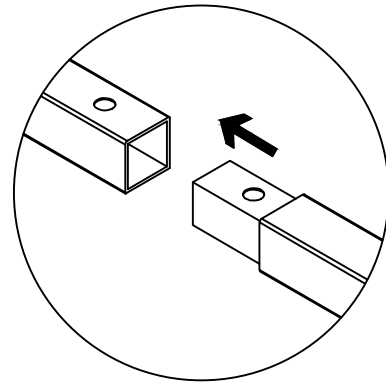
# 24

M8\*20  
HX4pcs

M8  
SX1pc



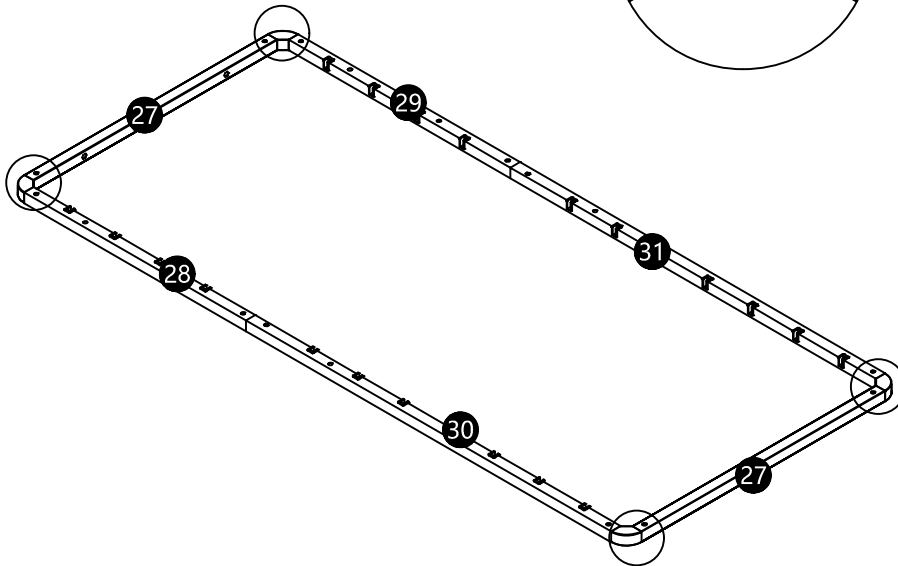
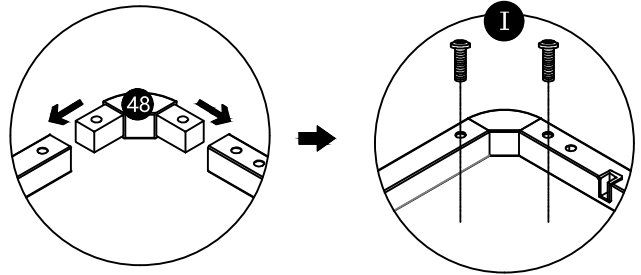
# 25



# 26

M8\*12  
IX8pcs

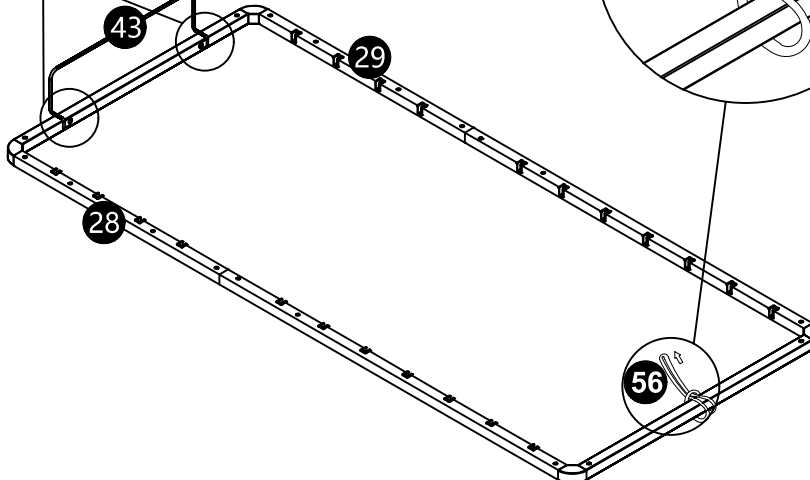
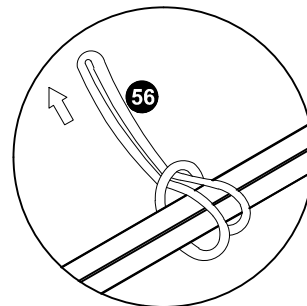
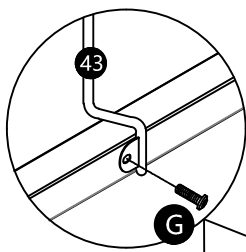
M8  
SX1pc



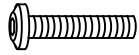
# 27

M8\*15  
GX2pcs

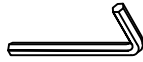
M8  
SX1pc



# 28



M8\*45  
KX8pcs



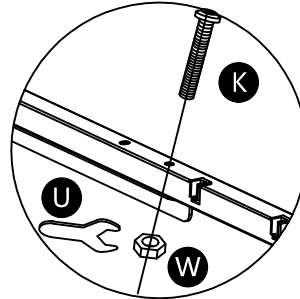
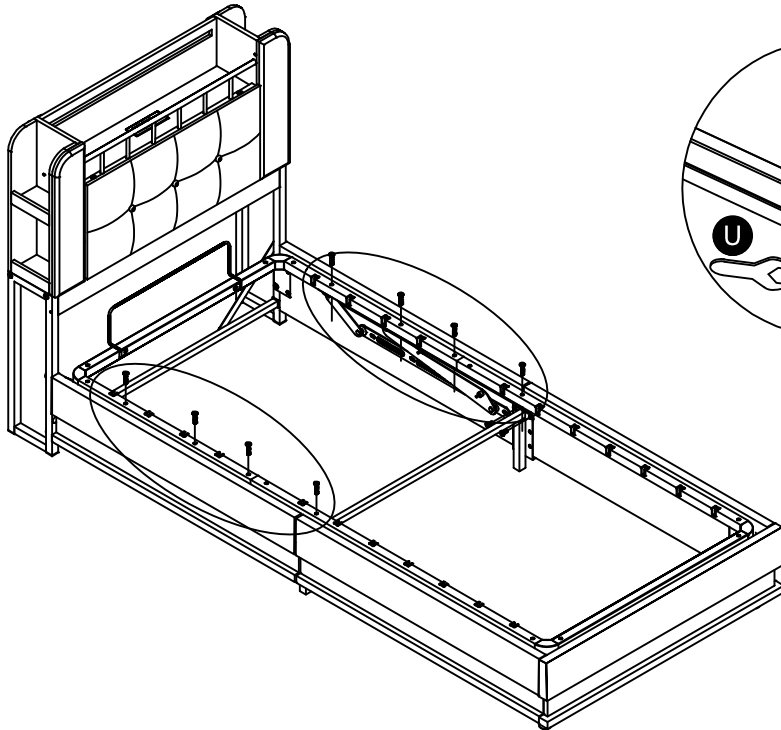
M8  
SX1pc



M8  
WX8pcs



M8  
UX1pc



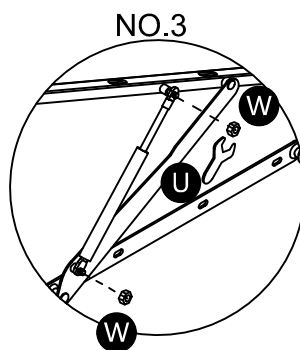
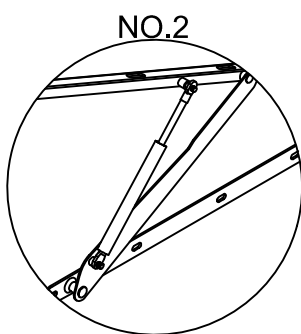
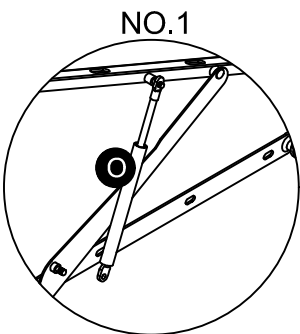
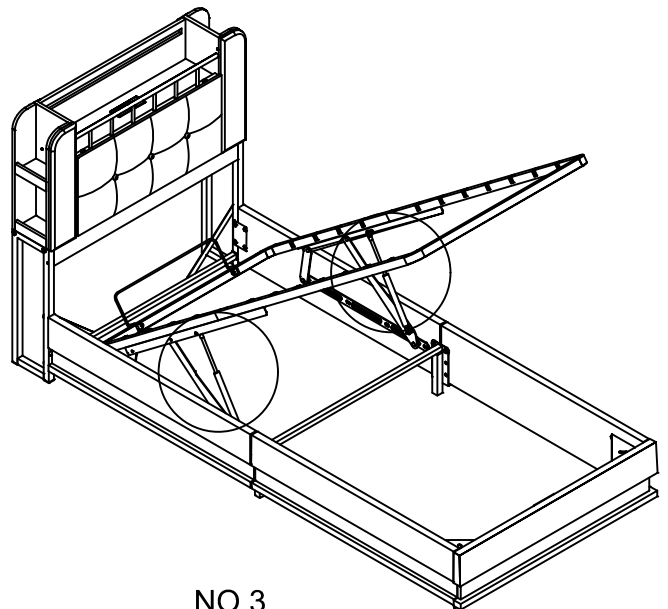
# 29



M8  
WX4pcs



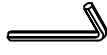
M8  
UX1pc



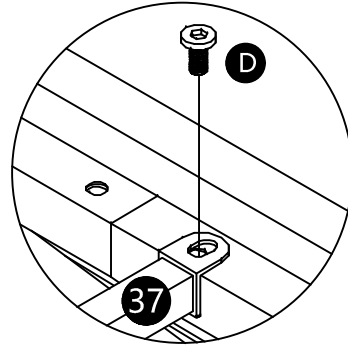
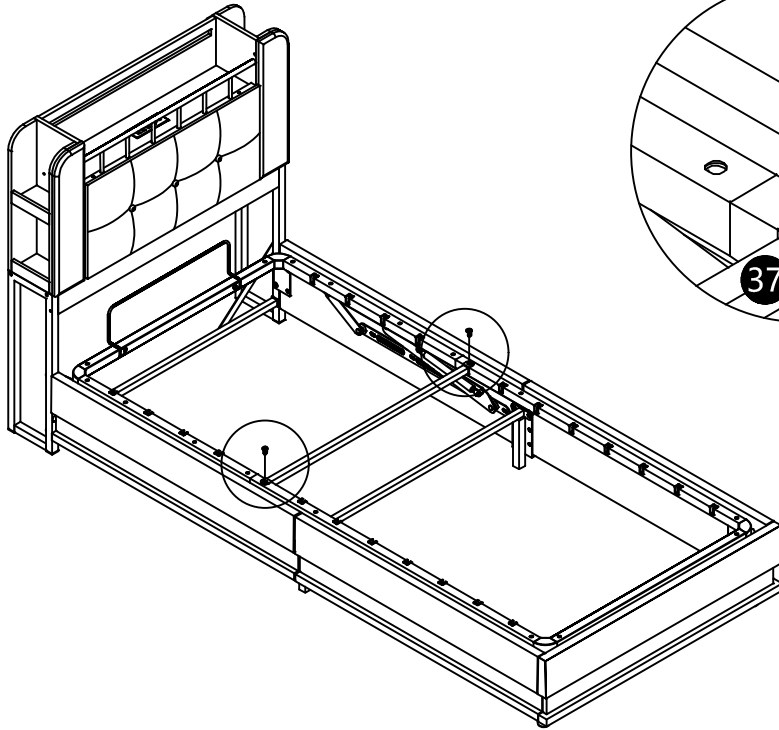
# 30



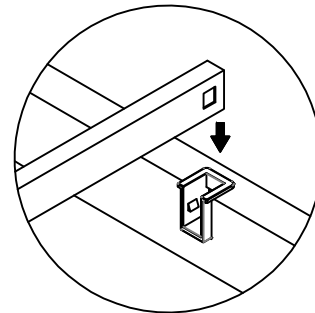
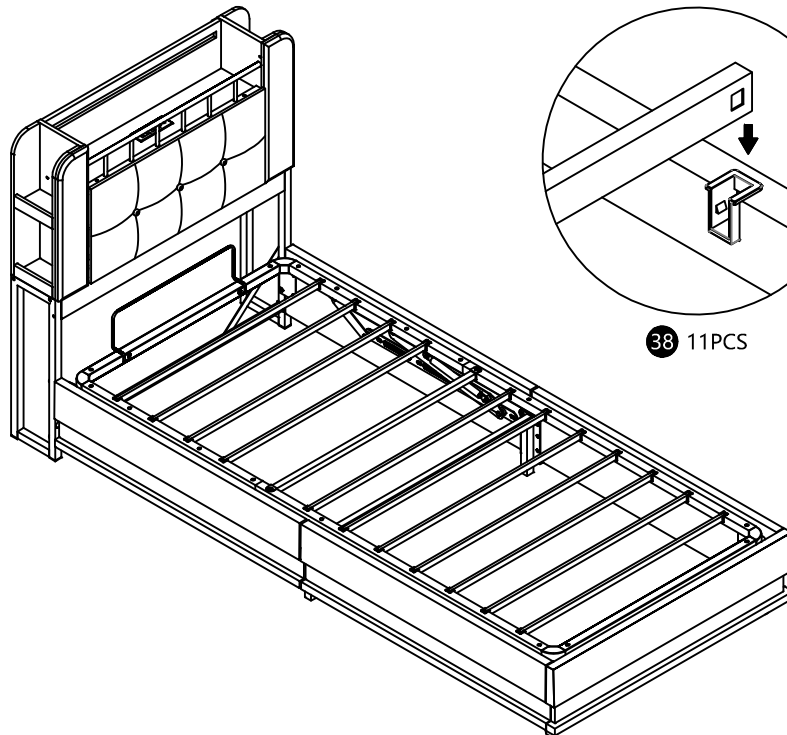
M6X20  
DX2pcs



M6  
QX1pc

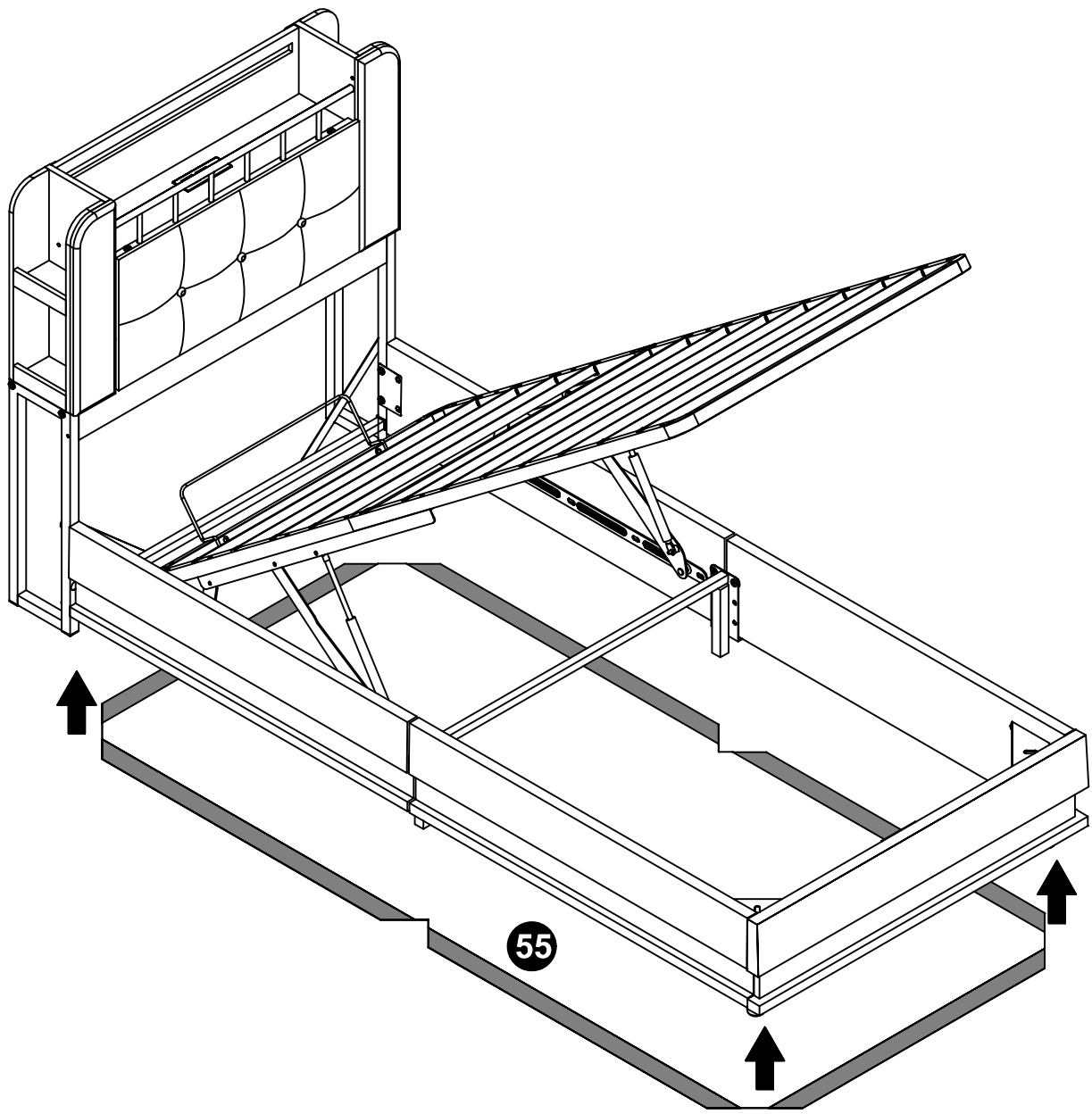


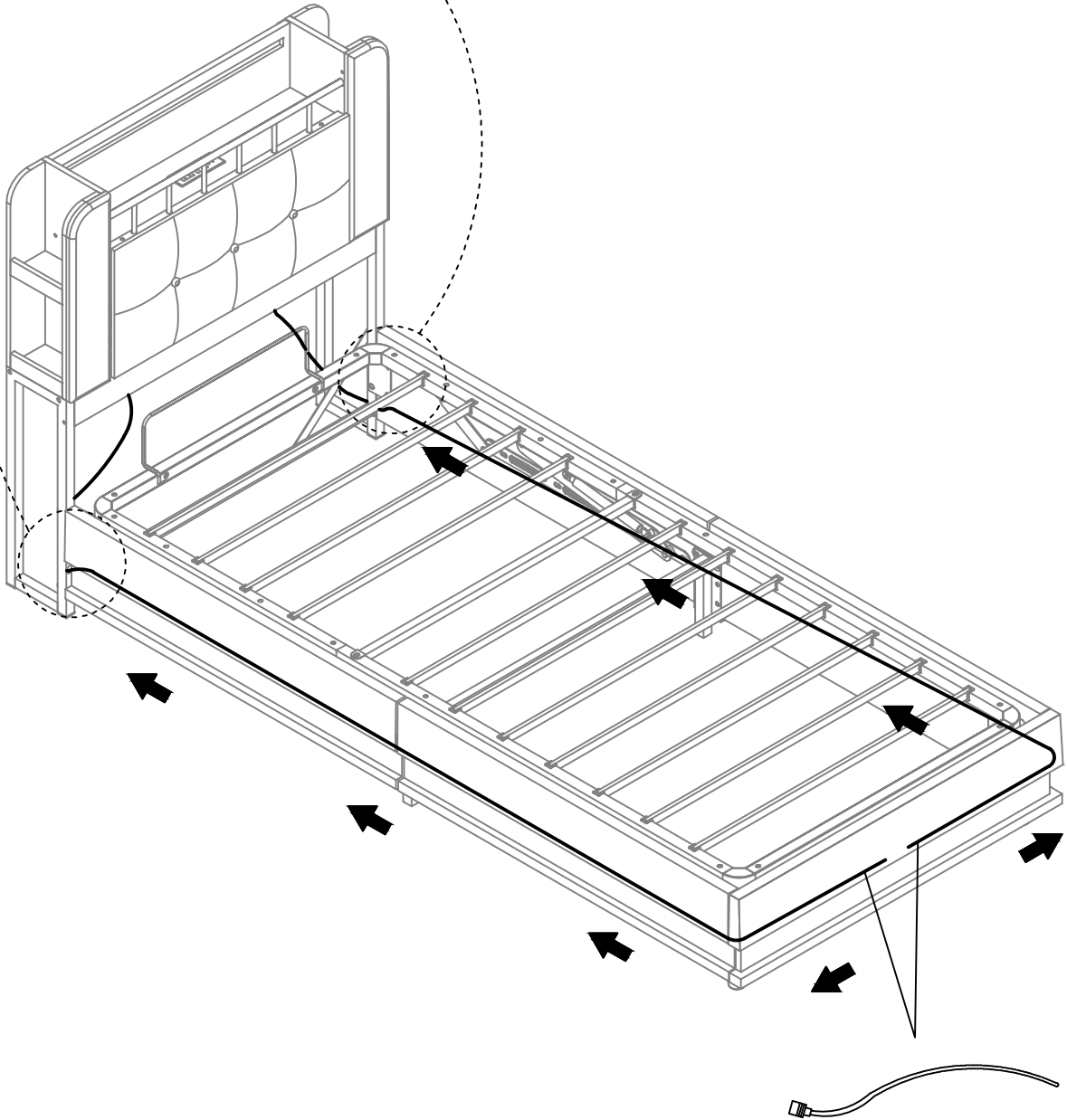
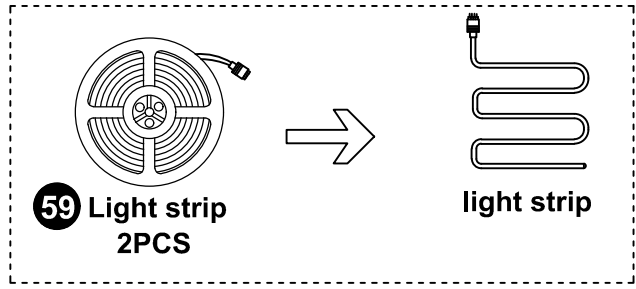
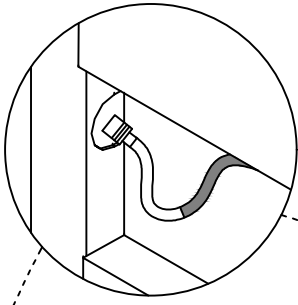
# 31

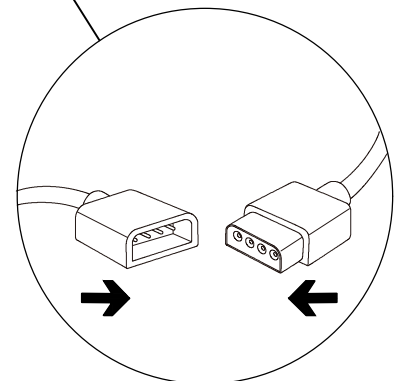
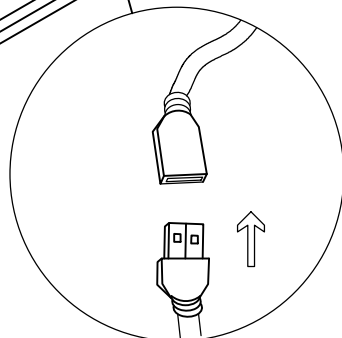
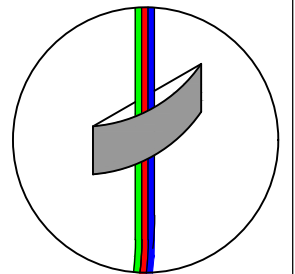
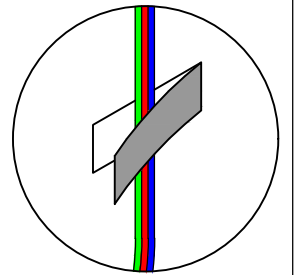
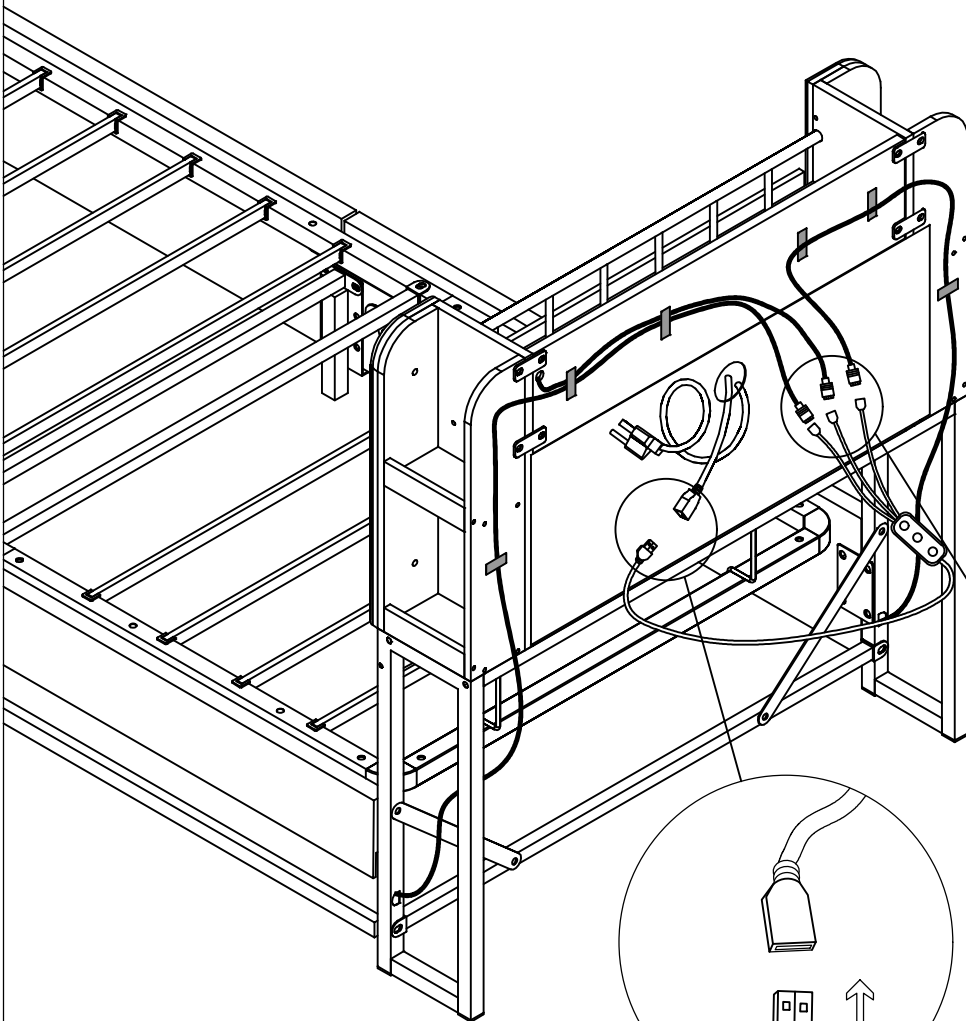
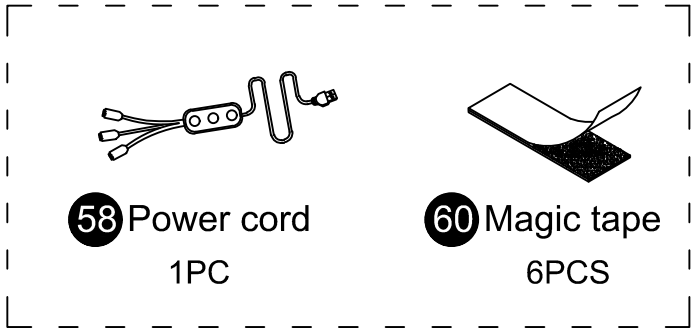


38 11PCS

32







# Verification of Compliance

**Verification No.:** MK23020083-P01E01  
**Name and address of Applicant:** **Shenzhen Hongzhengyu Technology Co., LTD**  
 Shenzhen baoan district rock street industrial science and technology industrial park of 2 Haitian lanyu 3 5 floor of A  
**Name and address of Manufacturer:** **Shenzhen Hongzhengyu Technology Co., LTD**  
 Shenzhen baoan district rock street industrial science and technology industrial park of 2 Haitian lanyu 3 5 floor of A  
**Product name:** **Lamp strip**  
**Rated:** 5V --- 1A  
 HZY-2835-120D-12V, HZY-2835-30D-5V, HZY-2835-60D-5V, HZY-2835-120D-5V, HZY-2835-60D-12V, HZY-2835-60D-24V, HZY-2835-120D-24V, HZY-2835RGB-60D-5V, HZY-2835RGB-60D-12V, HZY-5050-30D-5V, HZY-5050-60D-5V, HZY-5050-30D-12V, HZY-5050-60D-12V, HZY-5050-60D-24V, HZY-5050RGB-30D-5V, HZY-5050RGB-60D-5V, HZY-5050RGB-30D-12V, HZY-5050RGB-60D-12V, HZY-5050RGB-60D-24V  
**Product model(s):**  
**Product trademark:** N/A

This verification confirms that the product meets the requirements of the following standard. The conformity was demonstrated based on following standard(s) listed by European Commission as harmonized with EMC Directive 2014/30/EU.

EN IEC 55015:2019+A11:2020  
IEC 61547:2020

*The verification has been carried out in accordance with individual rules and conditions agreed with the applicant. Evaluation has been carried out in accordance with:*

**Test report(s) No.:** MK23020083-P01E01  
**Test conducted by:** TMC Testing Services (Shenzhen) Co., Ltd.  
**Verification issue date:** February 25, 2023

**Notes:**

*This verification refers to the above mentioned product and its conformity in regards of above mentioned standard(s) was proven on test sample.*

*This verification does not imply meeting all essential requirements, assessment of the series-production or any other restricted Notified Bodies conformity assessment procedure appropriate for the product.*

*This verification holder shall use this verification in connection to verification of conformity and technical data relevant for the product the verification was issued.*

**TMC Testing Services (Shenzhen) Co., Ltd.**

t:86-755-86642861 cert@tmc-lab.com www.tmc-lab.com

1st Floor, Block A1, Zone A, Xinshidai Gongrong Industrial Park, No. 2, Shihuan Road, Shiyuan Street, Baoan District, Shenzhen, China



Shenzhen ZKT Technology Co., Ltd.

1/F, No. 101, Building B, No. 6, Tangwei Community Industrial Avenue,  
Fuhai Street, Bao'an District, Shenzhen, China



# Certificate of Compliance

Certificate Number: ZKT-250327L5653C

- Certificate's Holder** : Guangdong Zhangong Electric Technology Co., Ltd  
701, Building 29, zhifuyuan Industrial Zone, Xingtan town,  
Shunde District, Foshan City, Guangdong Province
- Manufacturer** : Guangdong Zhangong Electric Technology Co., Ltd  
701, Building 29, zhifuyuan Industrial Zone, Xingtan town,  
Shunde District, Foshan City, Guangdong Province
- Trade Mark** : /
- Product** : Mountable USB Hub/USB CHARGER
- Model(s)** : ZG-USB-12-B  
ZG-USB-12, ZG-USB-12-C
- Test Standard** : EN 61558-2-16:2009+A1:2013 used in conjunction with  
EN IEC 61558-1:2019

This Attestation of Compliance is issued on a voluntary basis for electrical equipment below the voltage limits of Low Voltage Directive 2014/35/EU. The essential requirements are fulfilled accordingly based on the technical specifications applicable at the time of issuance. See also notes overleaf. It is only valid in connection with the test report number: ZKT-250327L5653S.



This Certificate of Conformity is based on single evaluation of the submitted sample(s) of the above mentioned product. It does not imply an assessment of the whole product and relevant Directives to be observed.



# Attestation of Compliance

**Attestation No.** : LCSA11254144E

**Approval Holder** : Dongguan Yihong Hardware Electronics Co., Ltd

**Address** : Room 1106, No.2, Shangheng Road, Chang'an Town, Dongguan

**Manufacturer** : Dongguan Yihong Hardware Electronics Co., Ltd

**Address** : Room 1106, No.2, Shangheng Road, Chang'an Town, Dongguan

**Brand Name** : N/A

**Product** : LED controller

**Type/Model Name** : YH-6183, YH-252, YH-284, YH-290, YH-287, YH-358, YH-360, YH-6180, YH-6184

**H/S Version** : HW: /  
SW: /

**Attestation of the technical design of the radio equipment according to the following essential requirements set out in article 3 of the RED 2014/53/EU:**

<b>Article 3.1a): Health and Safety</b>	<b>Conform</b>
<b>Article 3.1b): Electromagnetic Compatibility</b>	<b>Conform</b>
<b>Article 3.2: Effective Use of the Radio Spectrum</b>	<b>Conform</b>
<b>CE-marking</b>	

Marking Example (Class 1)



This attestation is issued in accordance with the Directive 2014/53/EU of the European Parliament and of the Council of 16 April 2014 on the harmonisation of the laws of the Member States relating to the making available on the market of radio equipment.

December 16, 2024

**Date of issue**



**Manager**



# Annex



## Applied Standards and Test Reports

Standard	Laboratory	Test Report Number
ETSI EN 301 489-1 V2.2.3 (2019-11) ETSI EN 301 489-17 V3.3.1 (2024-09) EN 55032:2015/A11:2020 EN 55035:2017/A11:2020	Shenzhen LCS Compliance Testing Laboratory Ltd.	LCSA11254144EA
ETSI EN 300 328 V2.2.2 (2019-07)	Shenzhen LCS Compliance Testing Laboratory Ltd.	LCSA11254144EB LCSA11254144EC
EN IEC 62311:2020	Shenzhen LCS Compliance Testing Laboratory Ltd.	LCSA11254144ED
EN IEC 62368-1:2020+A11:2020	Shenzhen LCS Compliance Testing Laboratory Ltd.	LCSA11254143S

### General Remarks:

1. This conformity assessment is limited to the essential requirements of the RED Directive.  
Only products fulfilling all essential requirements of all applicable new approach directives may be placed on the market and put into service.
2. Products in compliance with all provisions of the applicable directives providing for the CE marking must bear this marking.
3. The manufacturer shall take all measures necessary so that the manufacturing process and its monitoring ensure conformity of the manufactured radio equipment with the approved type described in the Attestation of Compliance and with the requirements of Directive 2014/53/EU that apply to it.
4. This device also contains frequency bands that are not operational in EU member states.  
Only the frequency bands used in European Union have been assessed for this attestation.
5. The manufacturer shall draw up a written EU declaration of conformity for each radio equipment type and keep it at the disposal of the national authorities for 10 years after the radio equipment has been placed on the market. The EU declaration of conformity shall identify the radio equipment type for which it has been drawn up. A copy of the EU declaration of conformity shall be made available to the relevant authorities upon request.





Importeur	Decobus Handel GmbH		
Adresse	Innungsstraße 9, 21244 Buchholz, Deutschland		
Email/URL	<a href="https://www.decobusgroup.de">https://www.decobusgroup.de</a>		
Hersteller	Guangdong Zhangong Electrical Technology Co. LTD		
Adresse	701, Building 29, hifu Garden, Xingtan Town, Shunde District, Foshan City, Guangdong Province		
Email/URL	<a href="mailto:zkt@zkt-lab.com">zkt@zkt-lab.com</a>		
Partienumm	202505		
Hergestellt in	China		
<table border="1"><tr><td>EC</td><td>REP</td></tr></table>	EC	REP	Decobus Handel GmbH Innungsstraße 9, 21244 Buchholz, Deutschland <a href="https://www.decobusgroup.de">https://www.decobusgroup.de</a>
EC	REP		



Importeur	Decobus Handel GmbH		
Adresse	Innungsstraße 9,21244 Buchholz,Deutschland		
Email/URL	<a href="https://www.decobusgroup.de">https://www.decobusgroup.de</a>		
Hersteller	Dongguan Yihong Hardware Electronics Co.. Ltd		
Adresse	Room 1106.No.2,Shangheng Road, Chang an Town		
Email/URL	<a href="mailto:414564409@qq.com">414564409@qq.com</a>		
Partienumm	202505		
Hergestellt in	China		
Produkt:LED Controller Modell: YH-252			
Nennspannung:5 V Nennfrequenz: 50/60Hz Leistung: 15W			
<table border="1"><tr><td>EC</td><td>REP</td></tr></table>	EC	REP	Decobus Handel GmbH Innungsstraße 9,21244 Buchholz,Deutschland <a href="https://www.decobusgroup.de">https://www.decobusgroup.de</a>
EC	REP		



Importeur	Decobus Handel GmbH		
Adresse	Innungsstraße 9,21244 Buchholz,Deutschland		
Email/URL	<a href="https://www.decobusgroup.de">https://www.decobusgroup.de</a>		
Hersteller	Foshan Xinwang Intelligent Technology Co., Ltd.		
Adresse	The fifth floor of Building 3, Haitian Lanyu Science and Technology Industrial Park, No. 5, Industrial 2nd Road, Shilongzi Community, Shiyan Street, Bao'an District, Shenzhen		
Email/URL	<a href="mailto:610488898@qq.com">610488898@qq.com</a>		
Partienumm	202505		
Hergestellt in	China		
Produkt:LED soft light strip Model:HZY-5050RGB-60D-5V			
Nennspannung:5 V Nennfrequenz: 50/60Hz Leistung: 4.5W/M			
<table border="1"><tr><td>EC</td><td>REP</td></tr></table>	EC	REP	Decobus Handel GmbH Innungsstraße 9,21244 Buchholz,Deutschland <a href="https://www.decobusgroup.de">https://www.decobusgroup.de</a>
EC	REP		

