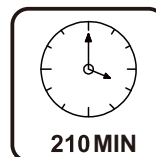
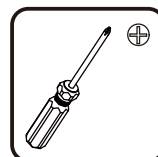
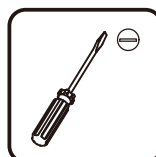
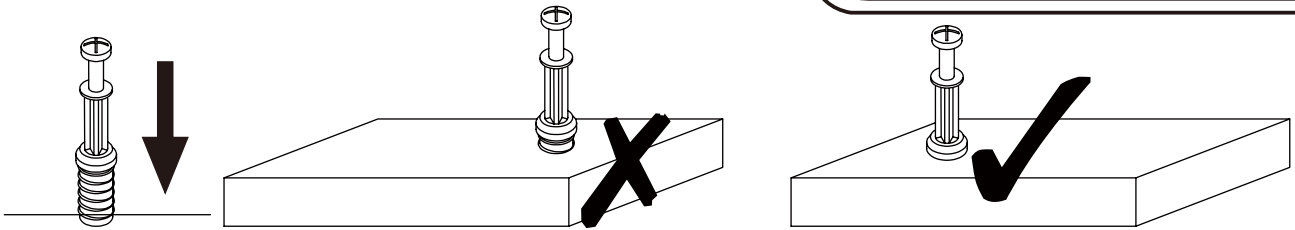


# *Installation & Assembly*

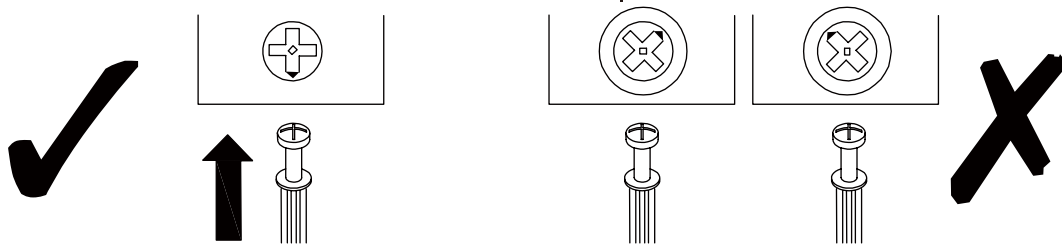


**EN\_IMPORTANT, RETAIN FOR FUTURE REFERENCE: READ CAREFULLY.**

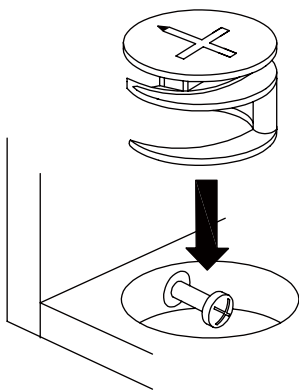
## USING CAM LOCK AND QUICKFIT



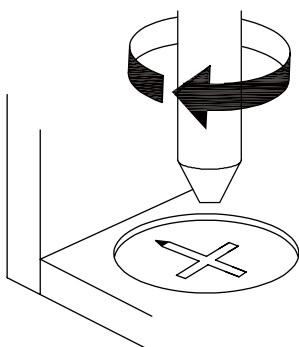
**EN\_QUICKFIT:** Tighten quickfit until shoulder is flush with panel. Do not overtighten or undertighten.



**EN\_CAM LOCK:** When fitting cam lock, ensure starting position is correct before you insert connecting quickfit.

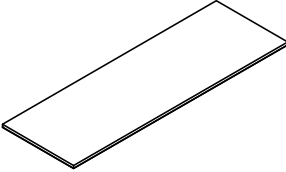
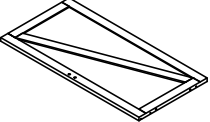
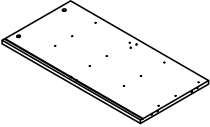
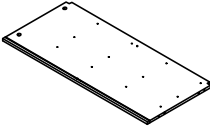
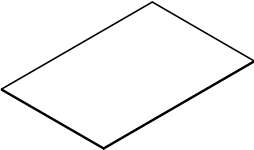

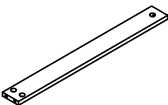

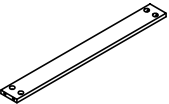
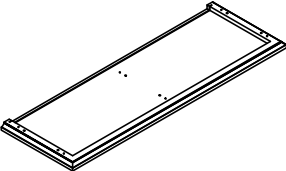


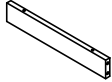
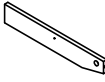
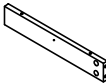
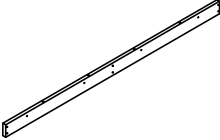
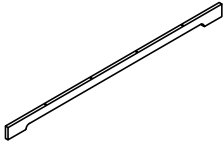
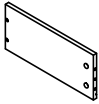
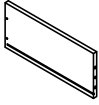
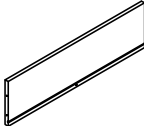
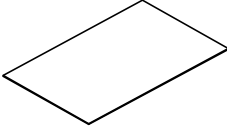
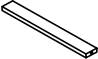
**EN\_Quickfit** head should be in the centre of the cam lock when the two panels are joined.  
Cam lock should be inserted before quickfit.

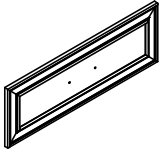
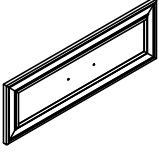



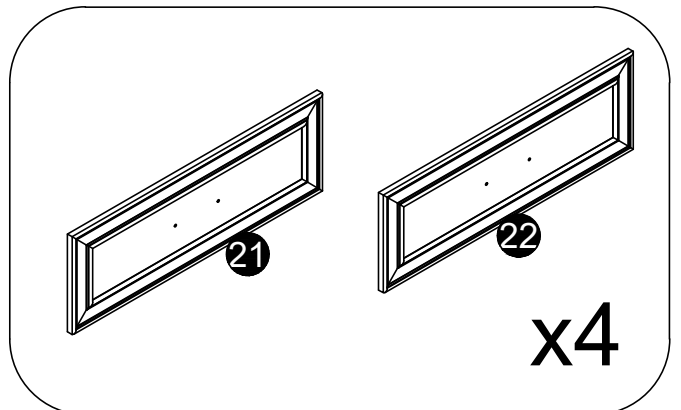
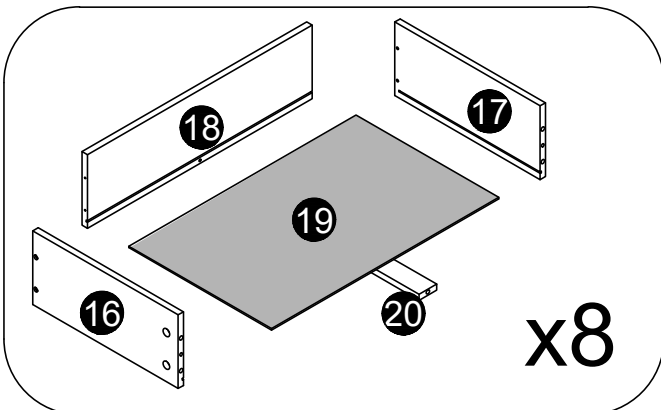
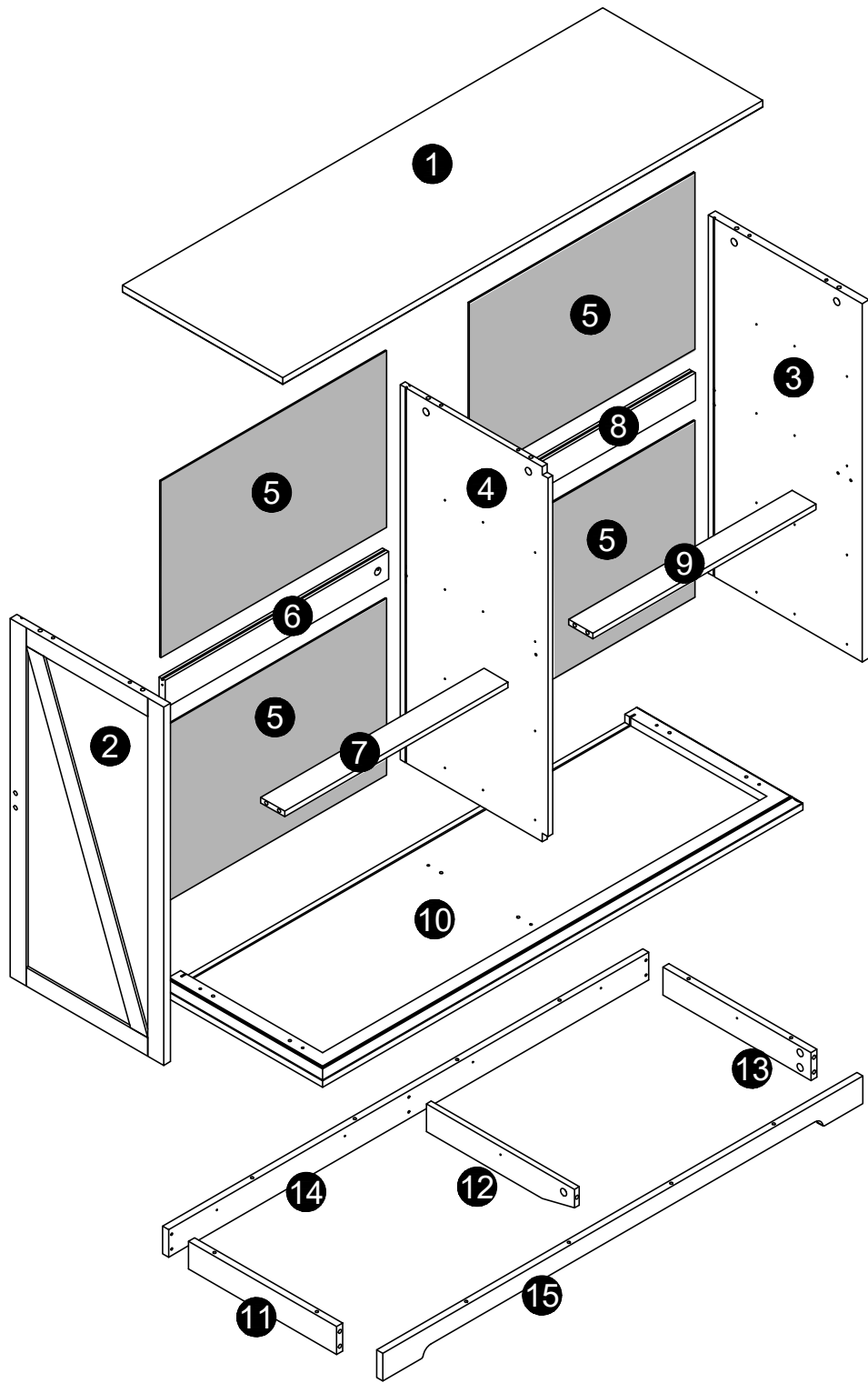
**EN\_Turn** cam lock clockwise to tighten.

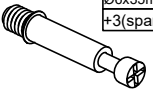

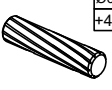
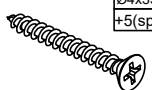

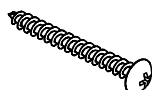

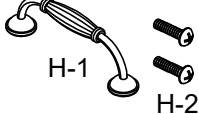
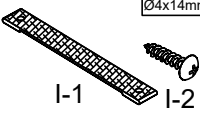
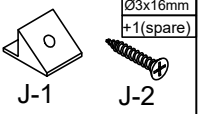
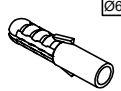
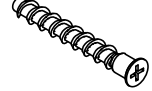


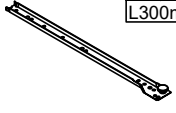
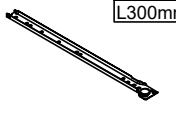
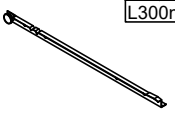
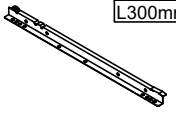
**PACKING DELALS**

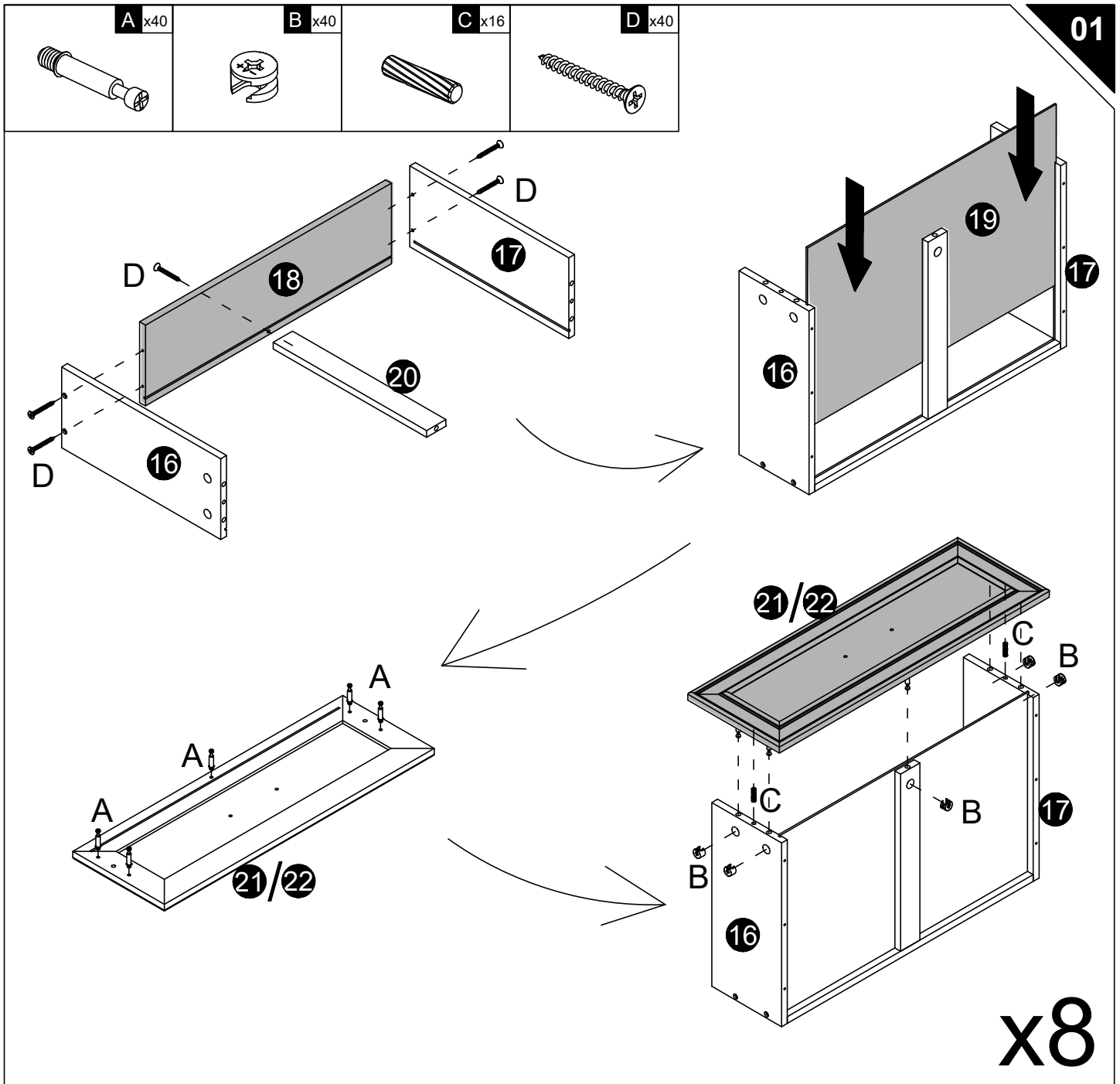
NO.	PARTS	QTY	SPARE
①		x1	
②		x1	
③		x1	
④		x1	
⑤		x4	
⑥		x1	
⑦		x1	
⑧		x1	
⑨		x1	
⑩		x1	

NO.	PARTS	QTY	SPARE
⑪		x1	
⑫		x1	
⑬		x1	
⑭		x1	
⑮		x1	
⑯		x8	
⑰		x8	
⑱		x8	
⑲		x8	
⑳		x8	

NO.	PARTS	QTY	SPARE
②1		x4	
②2		x4	
	 Hardware Kit	x1	



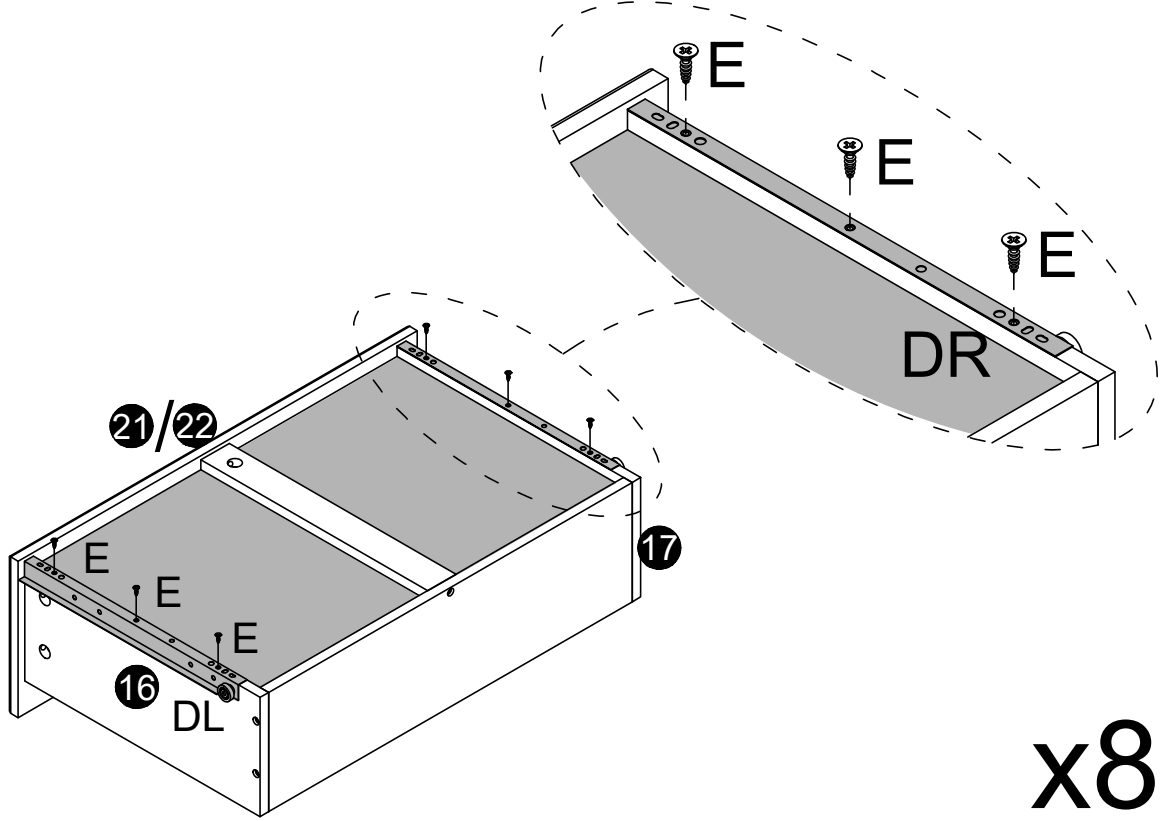
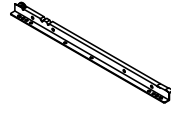
 <b>A</b> x61 Ø6x35mm +3(spare)	 <b>B</b> x61 Ø15x10mm +3(spare)	 <b>C</b> x40 Ø6x30mm +4(spare)	 <b>D</b> x50 Ø4x35mm +5(spare)	 <b>E</b> x118 +11(spare)	 <b>F</b> x4
 <b>G</b> x11	 <b>H</b> x8 H-1 H-2	 <b>I</b> x2 Ø4x14mm I-1 I-2	 <b>J</b> x16 Ø3x16mm +1(spare) J-1 J-2	 <b>K</b> x2 Ø6x30mm	 <b>L</b> x4
 <b>M</b> x4 Ø15mm +1(spare)	 <b>N</b> x16	 <b>CL</b> x8 L300mm	 <b>CR</b> x8 L300mm	 <b>DL</b> x8 L300mm	 <b>DR</b> x8 L300mm



E x48

DL x8

DR x8



21/22

17

16

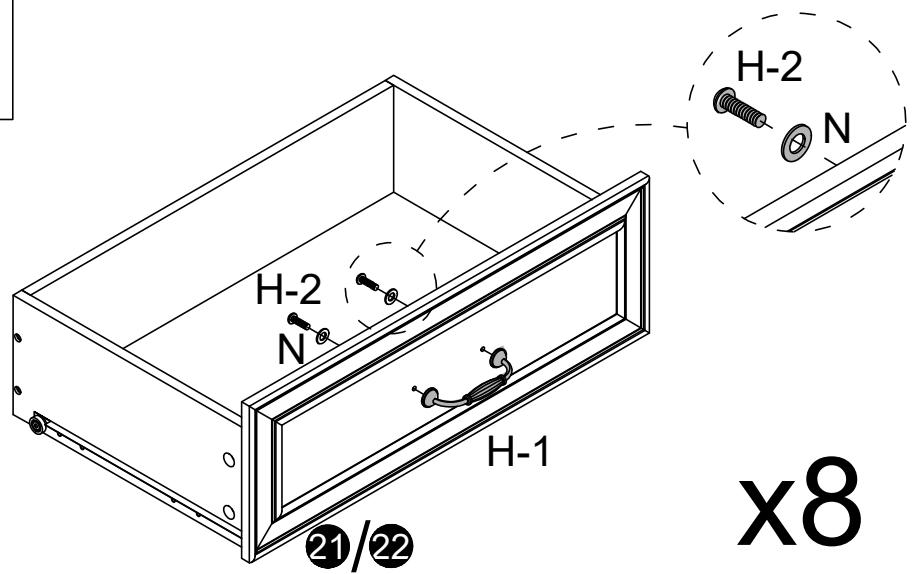
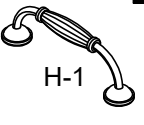
DL

DR

x8

H x8

N x16



H-1

H-2

H-2

N

H-2

N

H-1

21/22

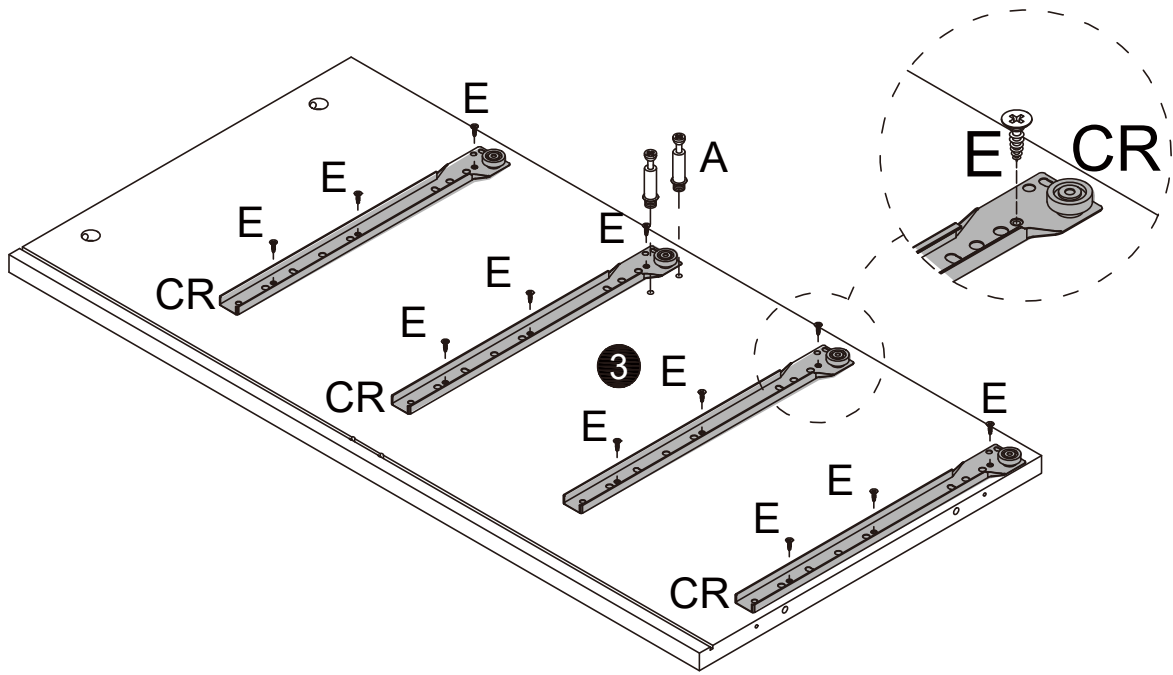
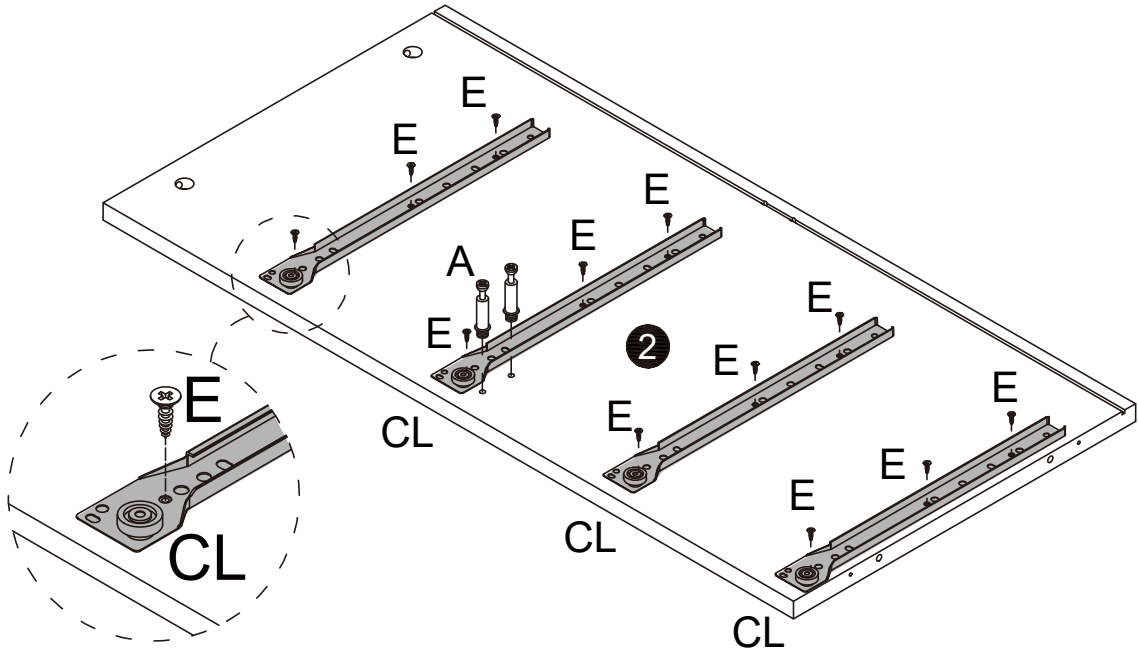
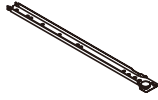
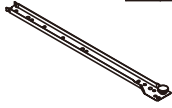
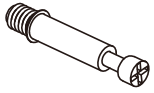
x8

A x4

E x24

CL x4

CR x4

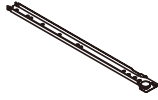
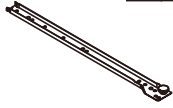
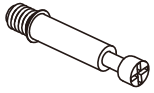


A x4

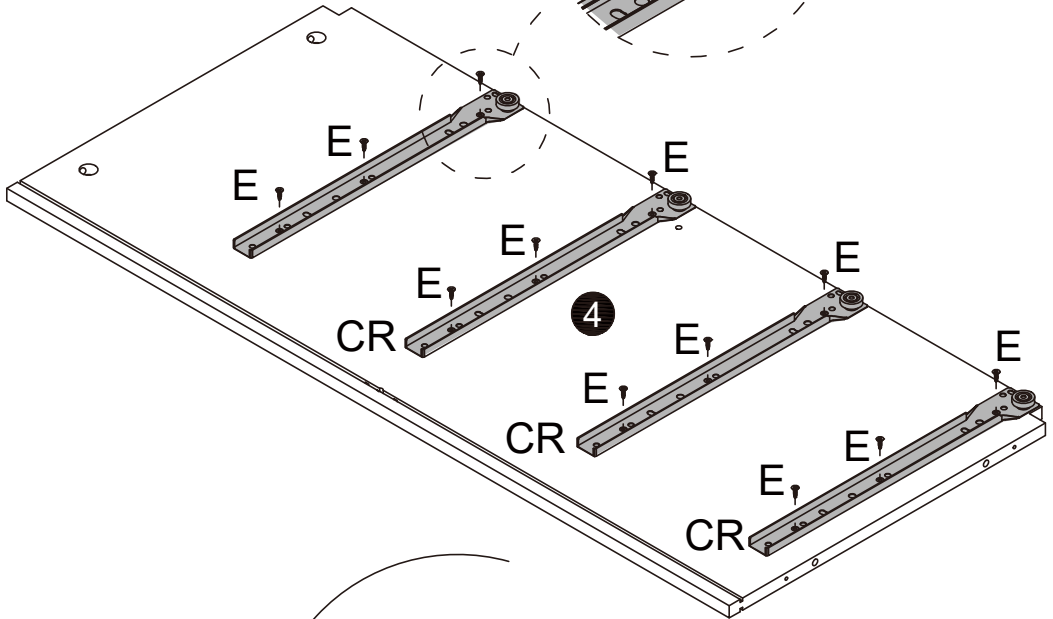
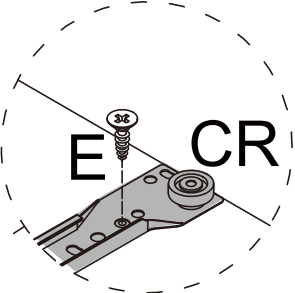
E x24

CL x4

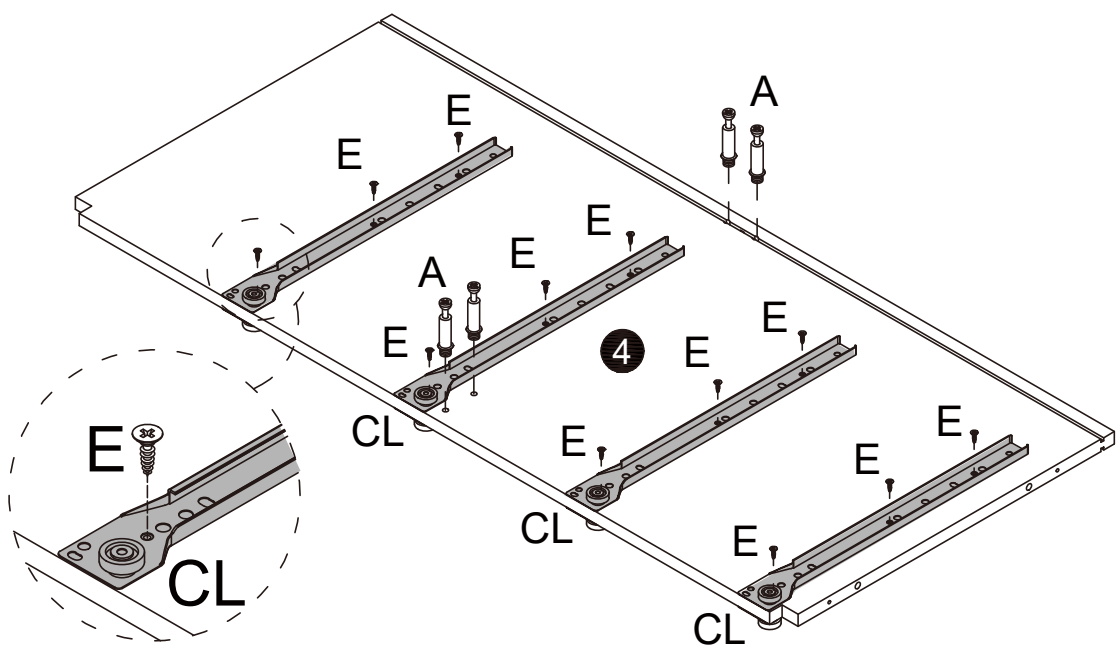
CR x4



!  
Second hole

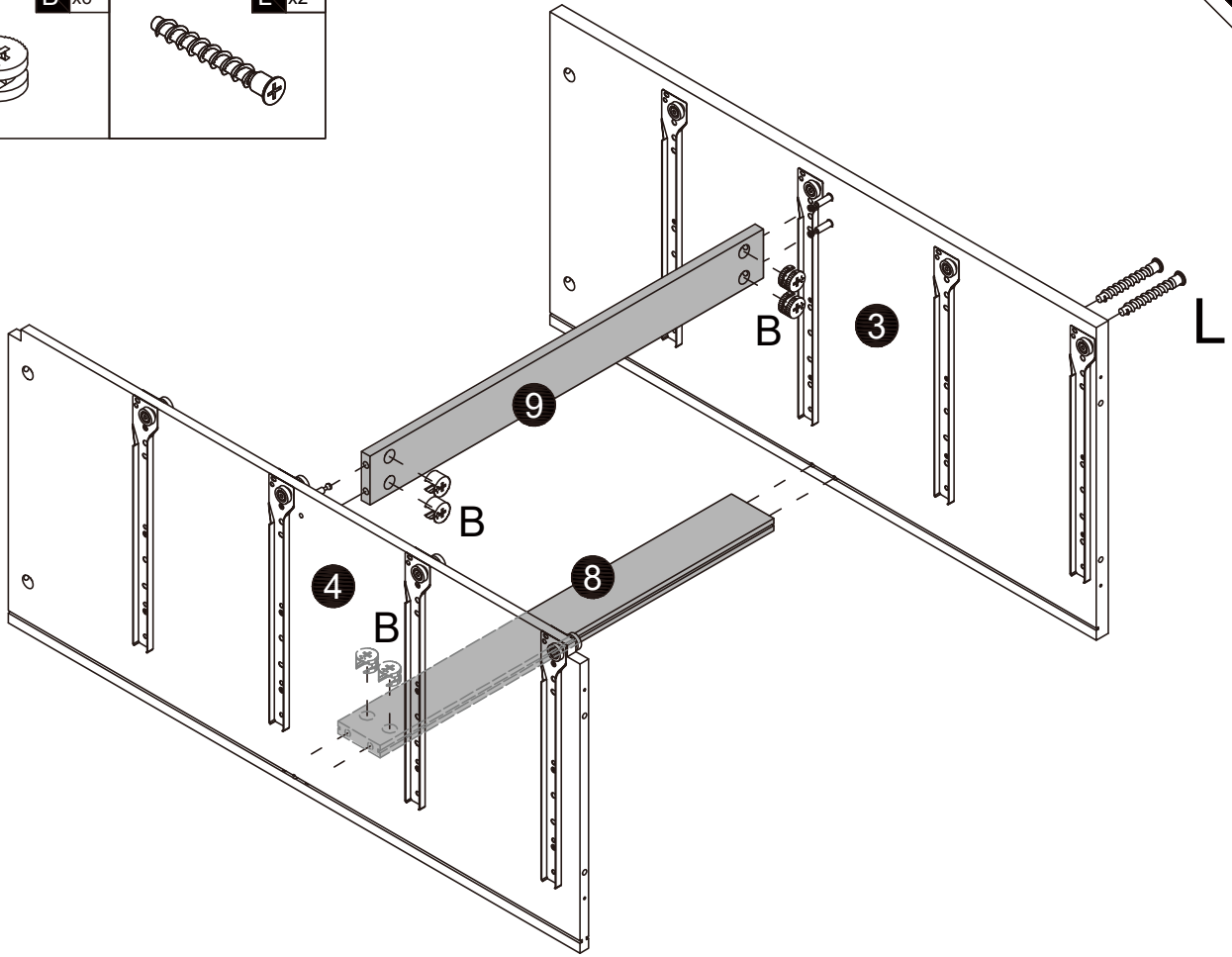
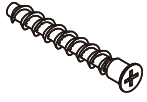


180°

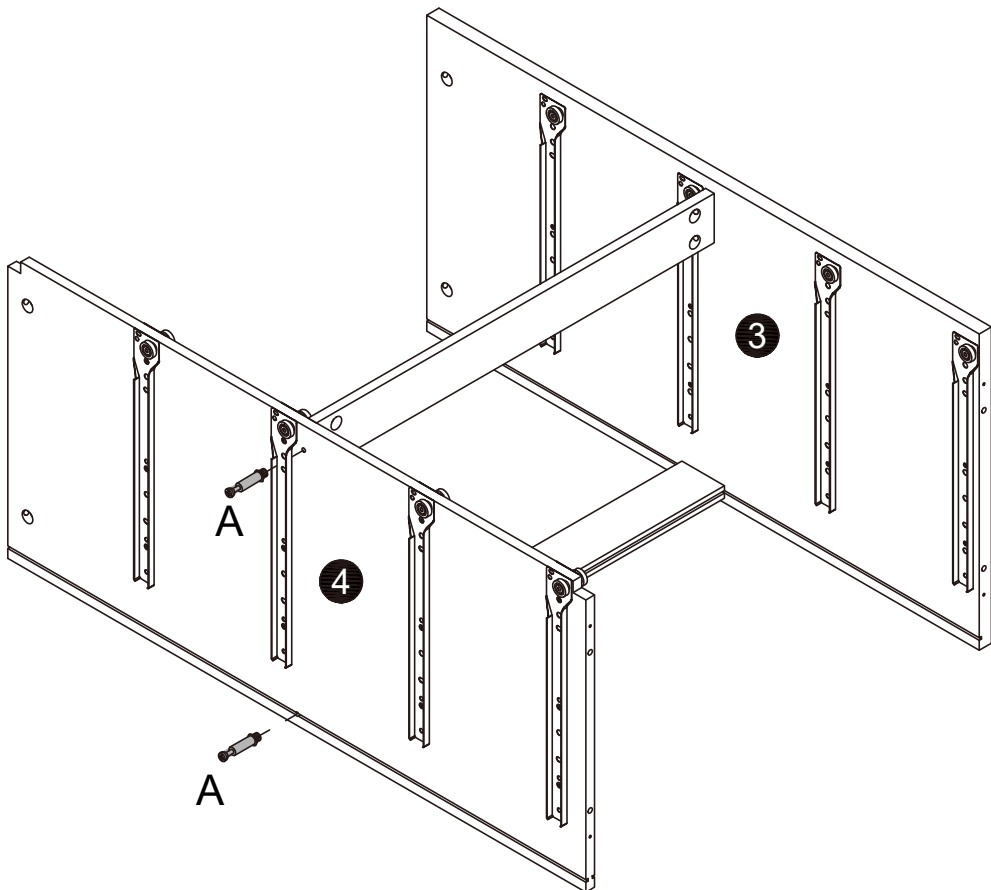
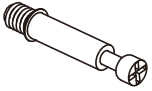


B x6

L x2

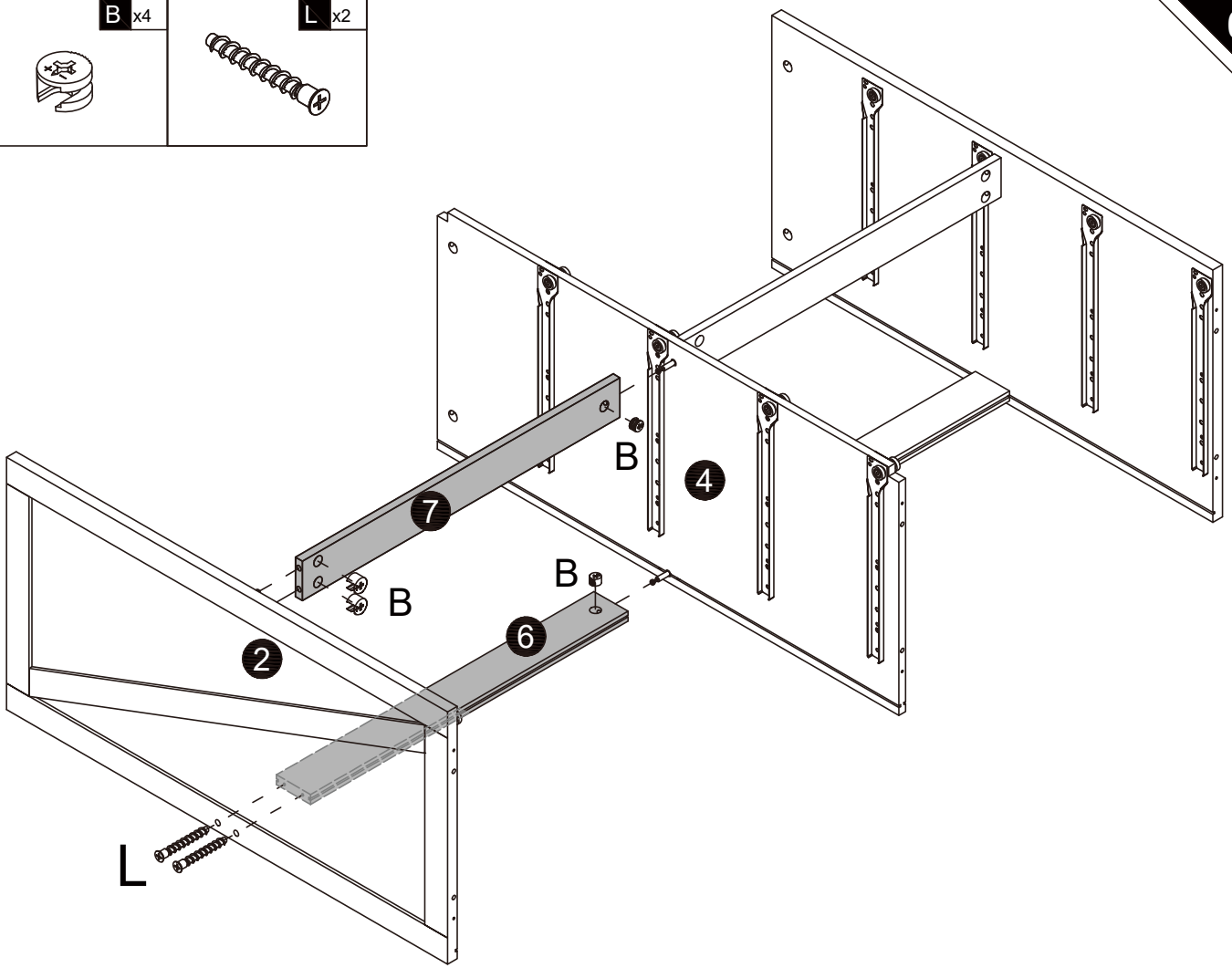


A x2

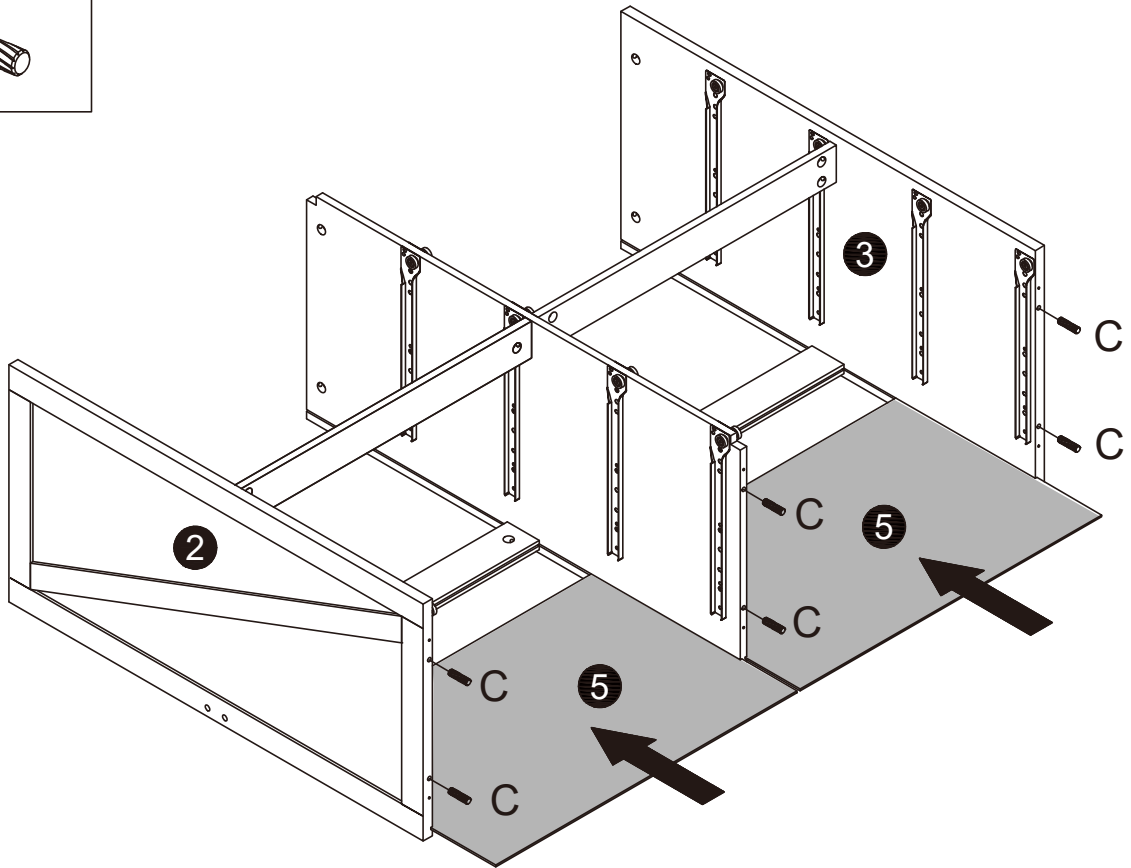


B x4

L x2

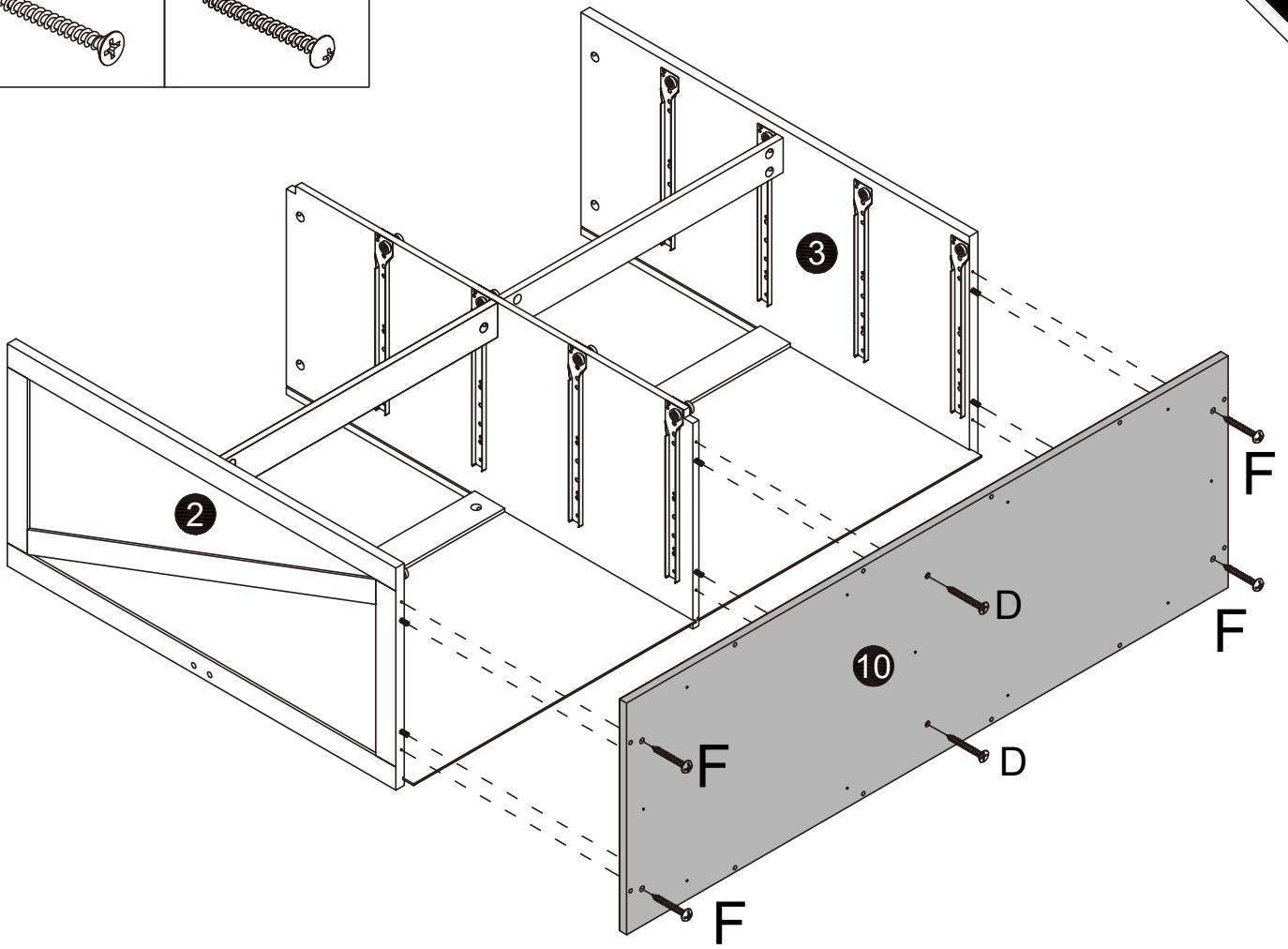
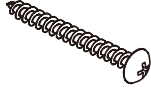
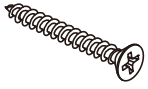


C x6

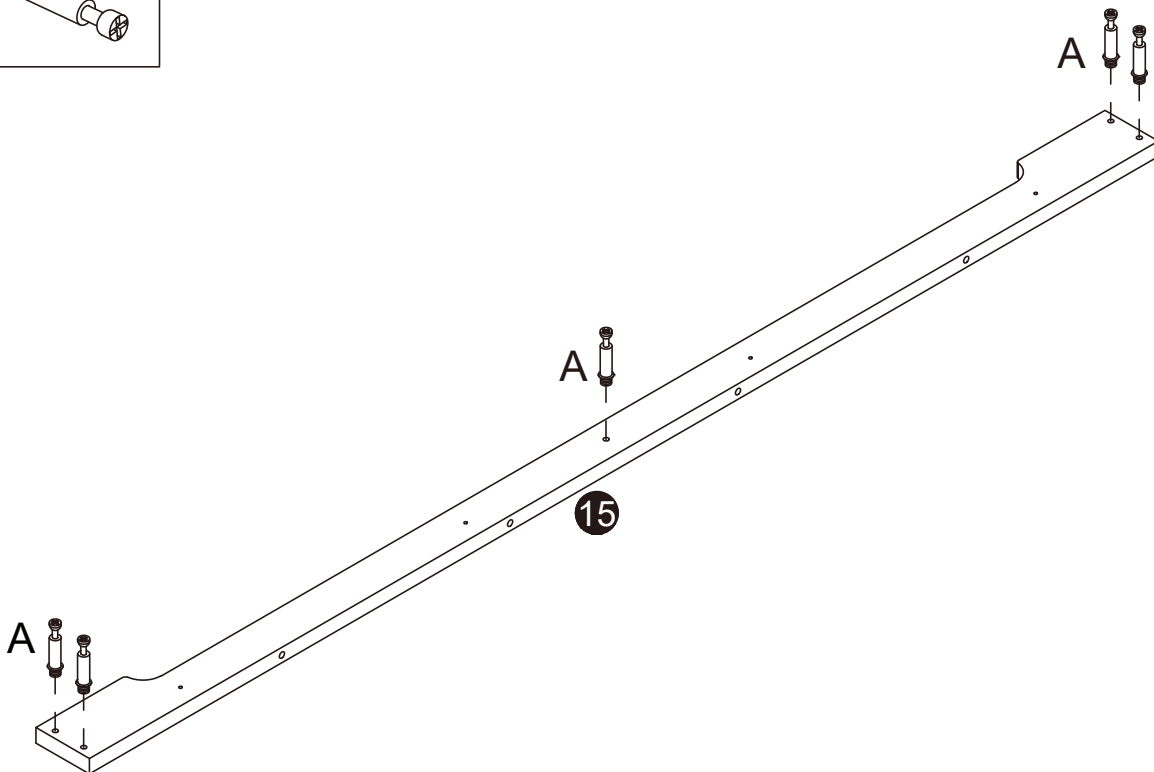
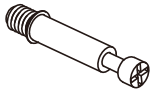


D x2

F x4

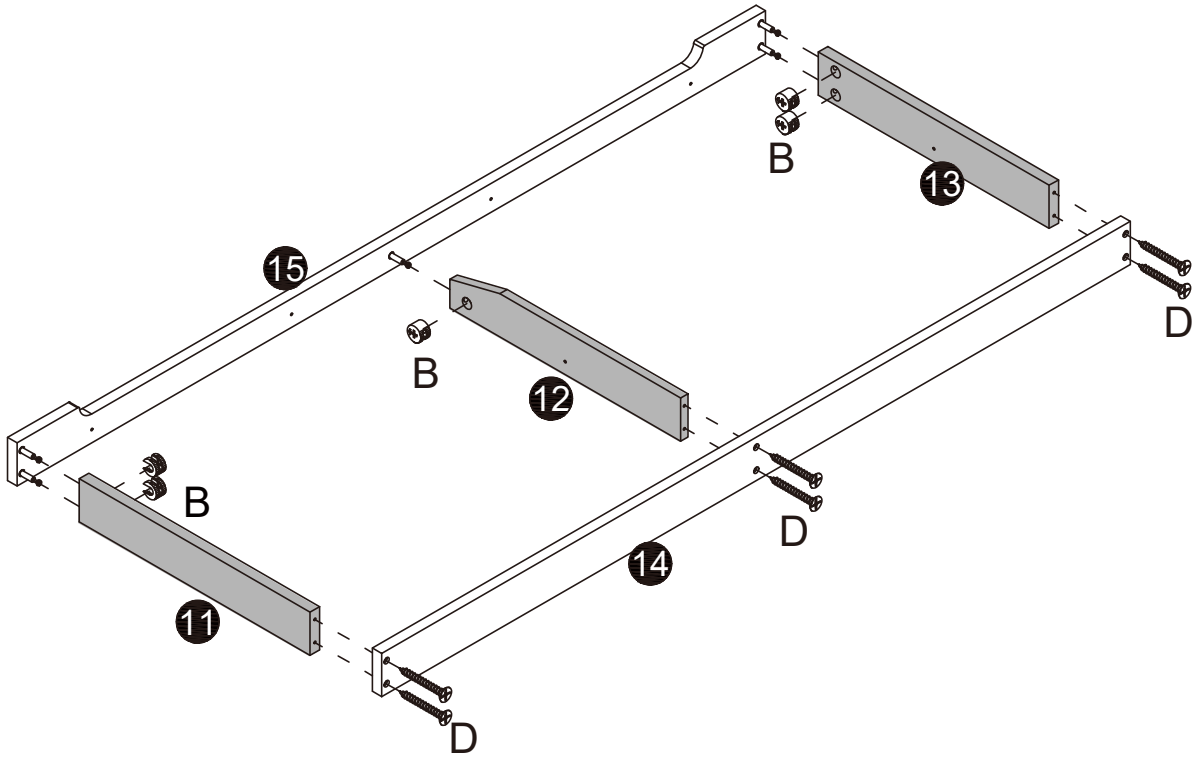
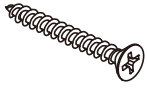


A x5



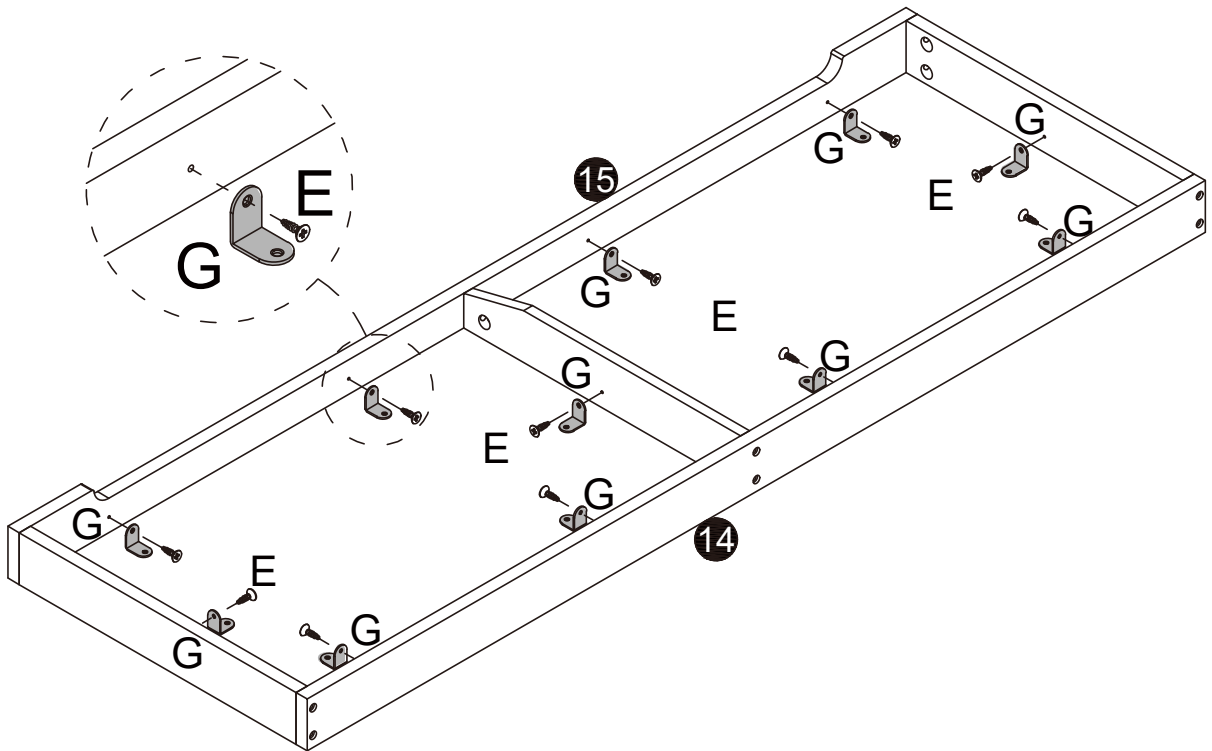
B x5

D x6



E x11

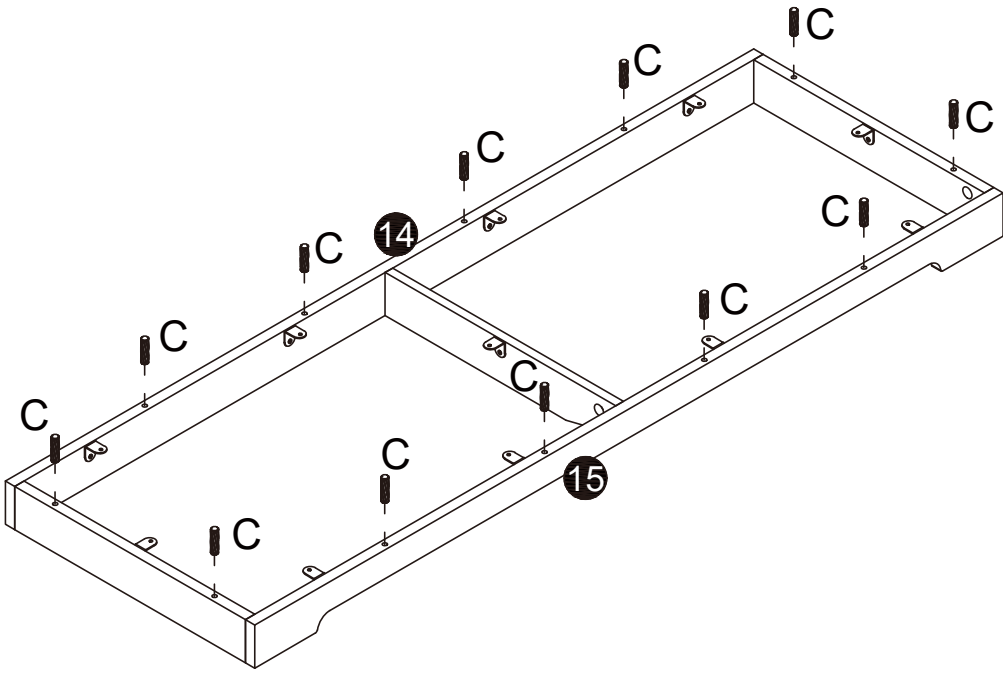
G x11



C x12



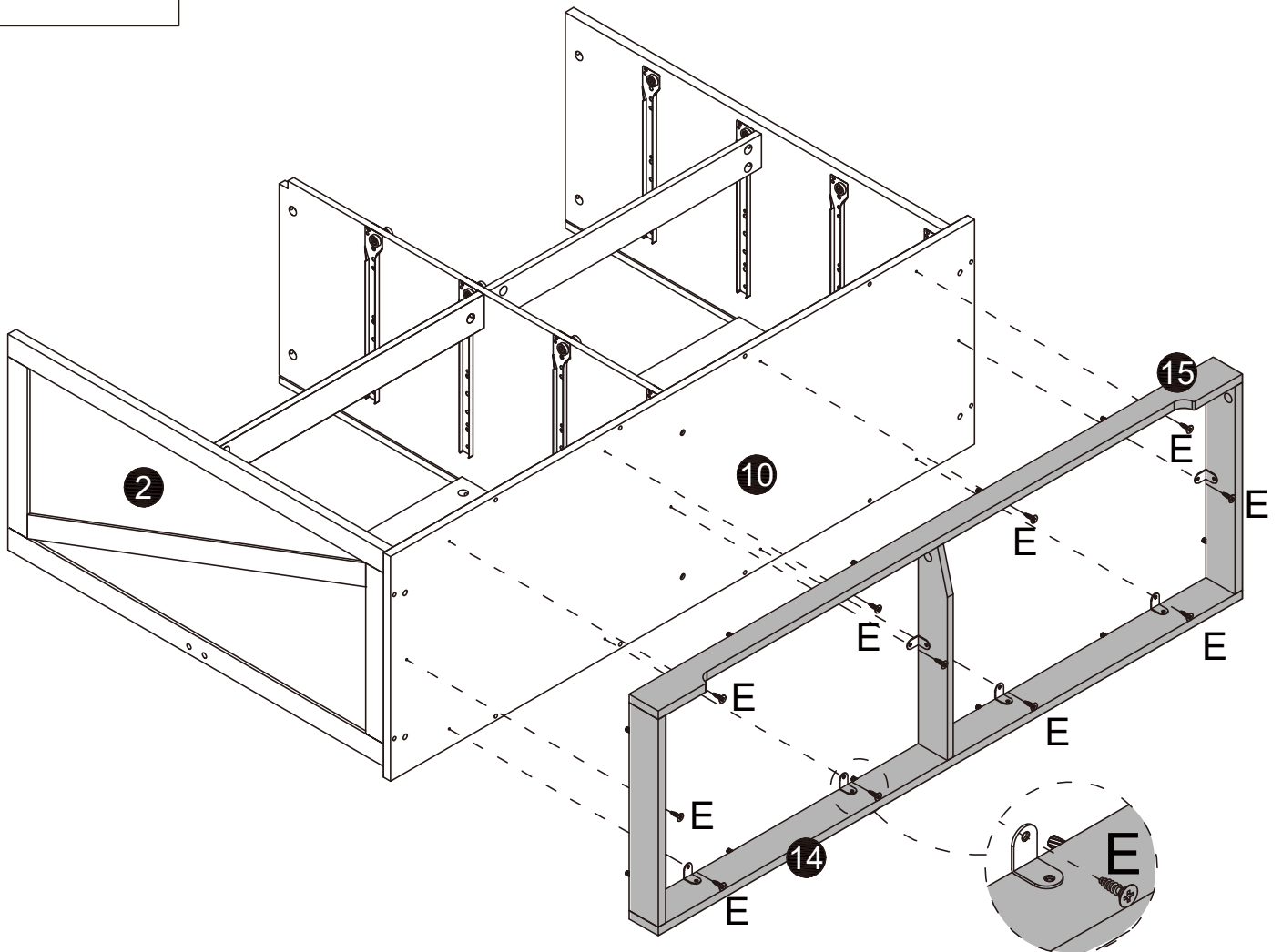
14



E x11



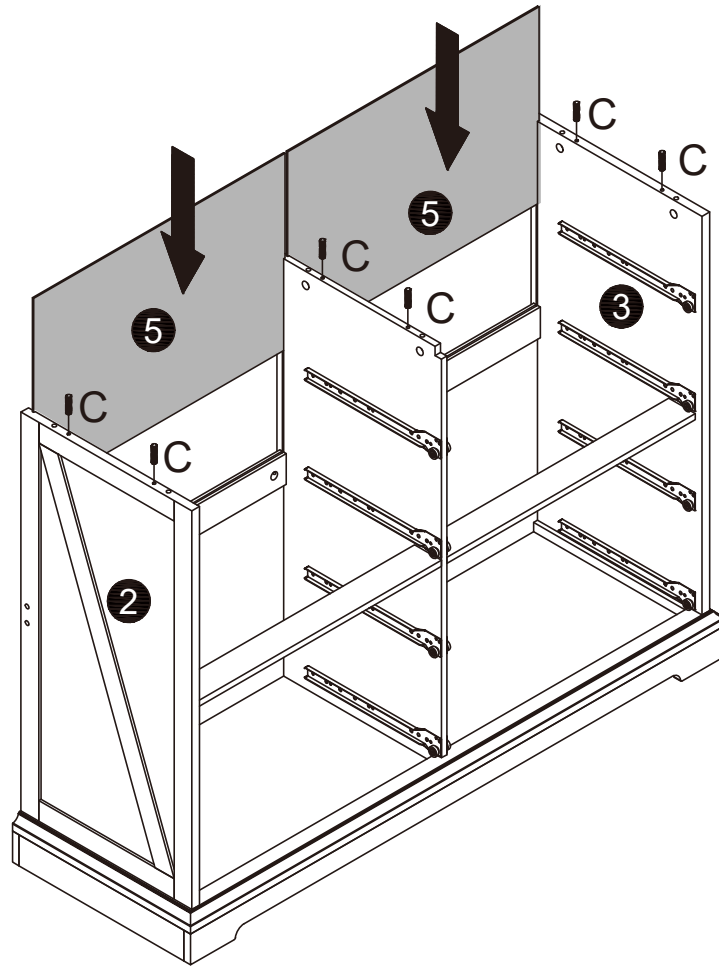
15



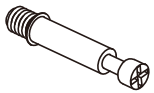
C x6



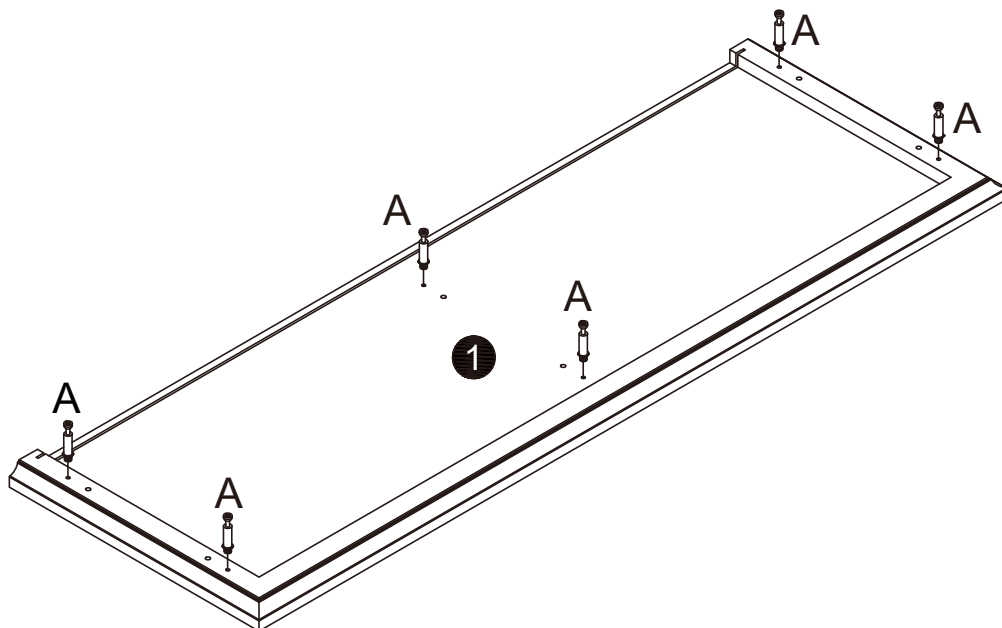
16



A x6

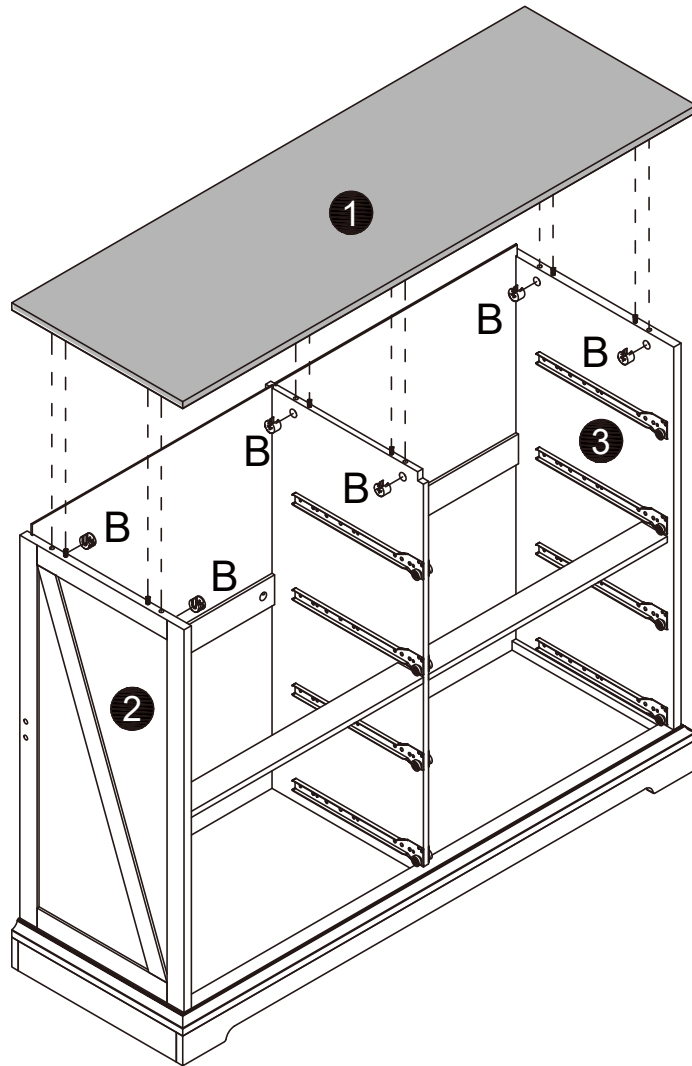


17



B x6

18



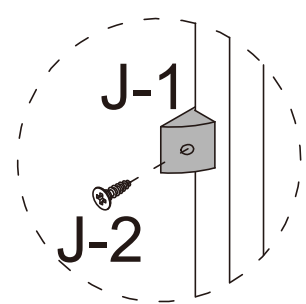
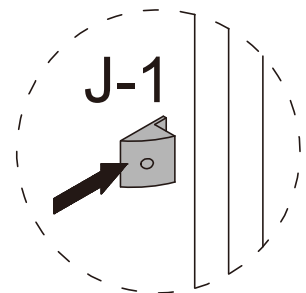
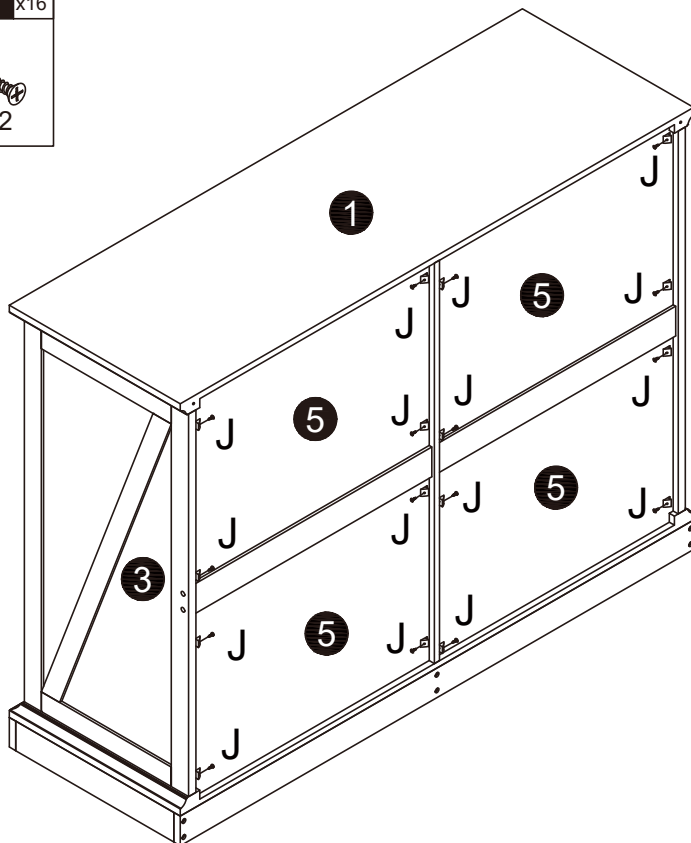
J x16

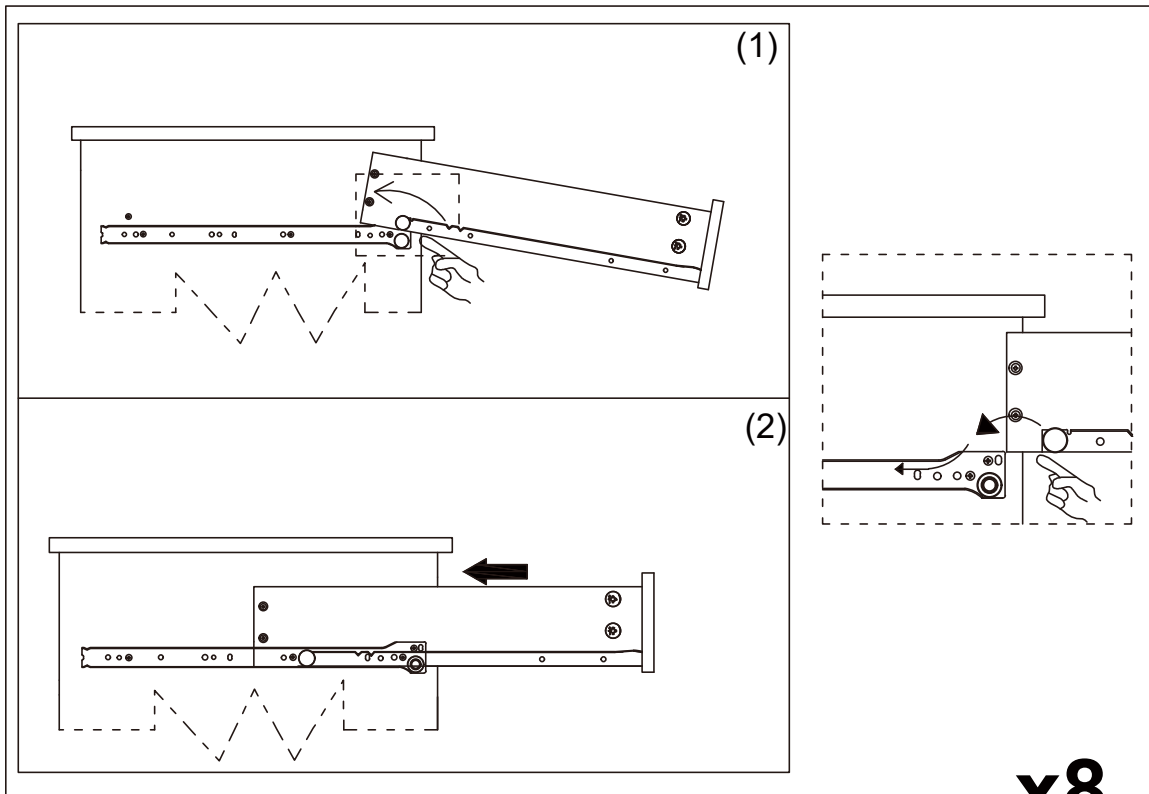
19



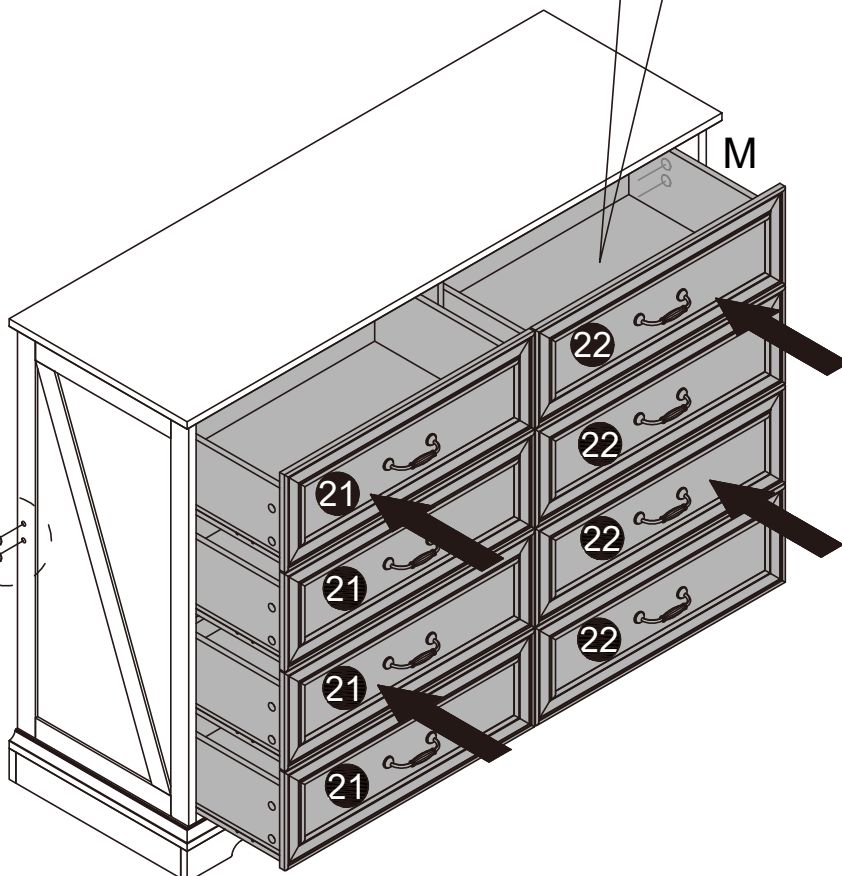
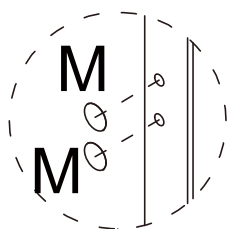
J-1

J-2

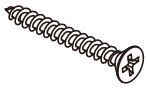




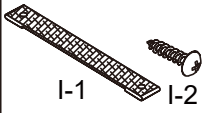
x8



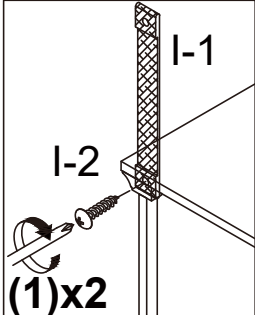
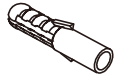
D x2



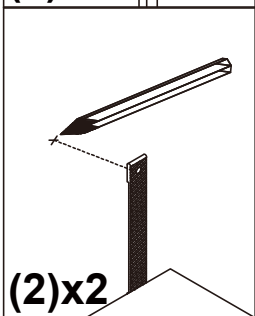
I x2



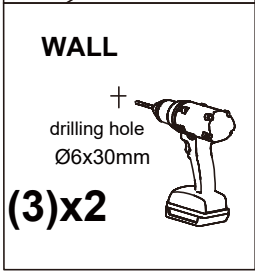
K x2



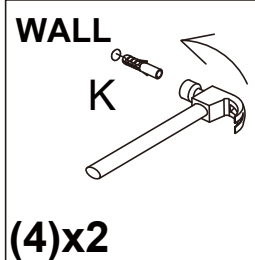
First fix the anti-rewind screw in the reserved hole of the product.



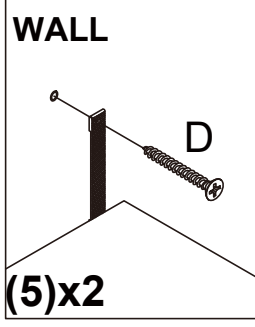
then, use a ruler to measure the approximate height of the product on the wall, and then mark it with a pen.



Then use a tape drill to make holes in the wall that are suitable for the product screws.



Then, put the expansion bolt into the hole



Finally, pass the matching screws through the "anti-rewind" and tighten them to fix them on the wall.

