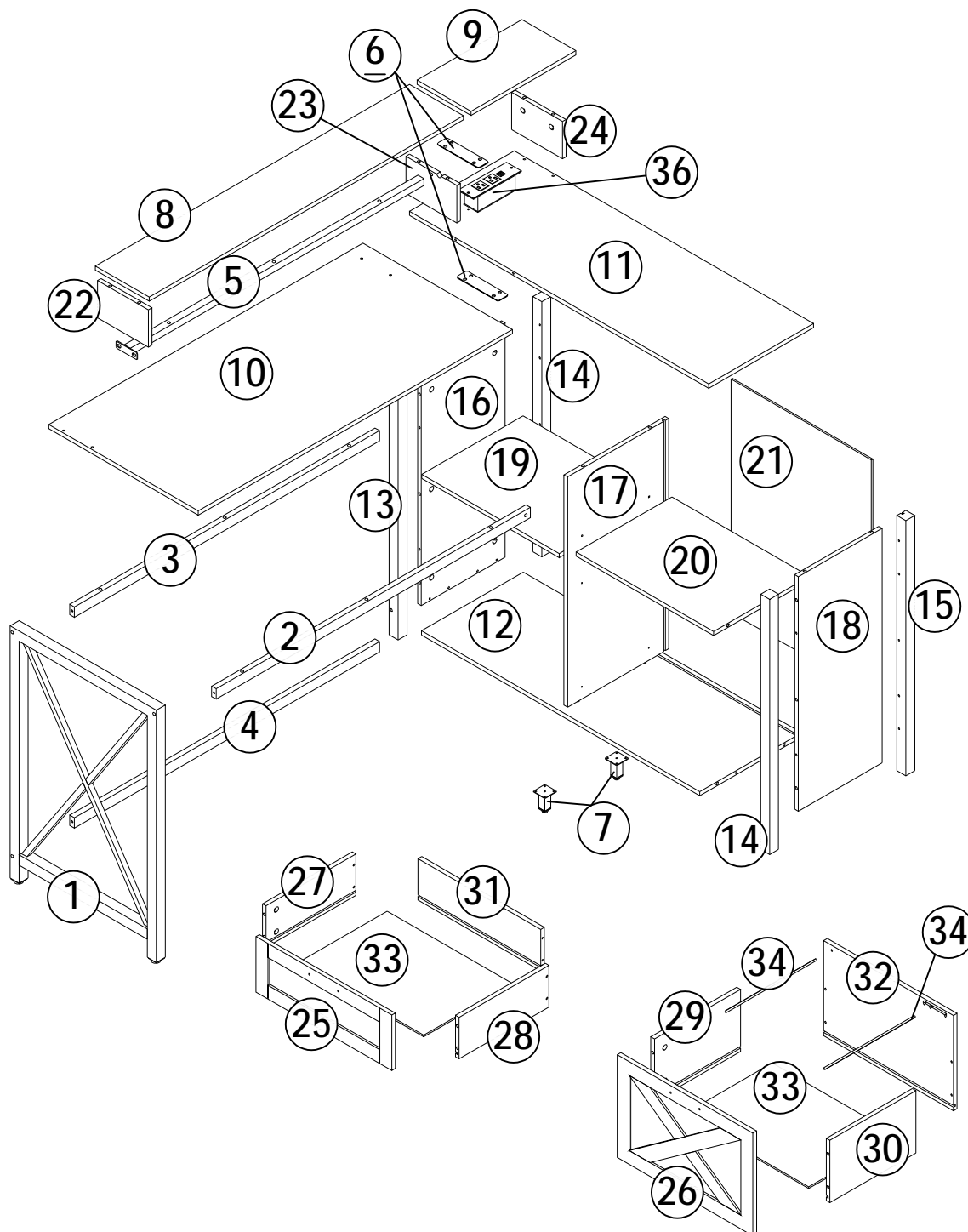
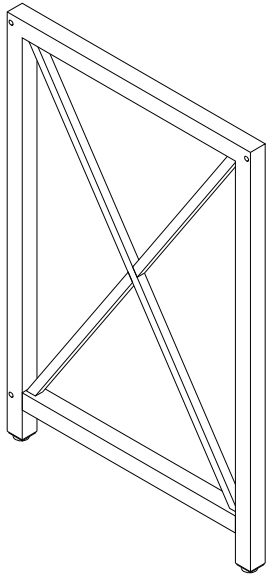


GAUTION: When tightening the screws, tighten sequentially.
Do not tighten any screws fully and then towards the next one.
When every part is OK, then tighten all the screws

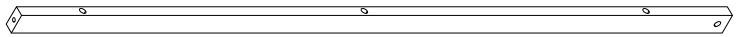




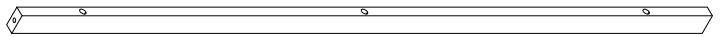
1



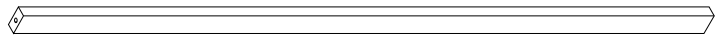
2



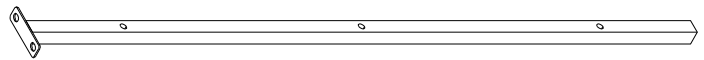
3



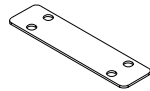
4



5



6



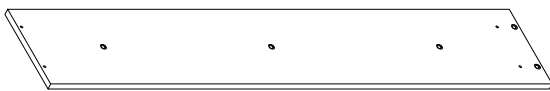
x 2

7

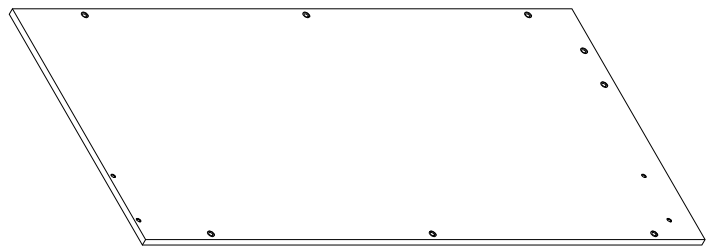


x 2

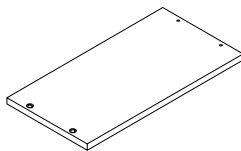
8



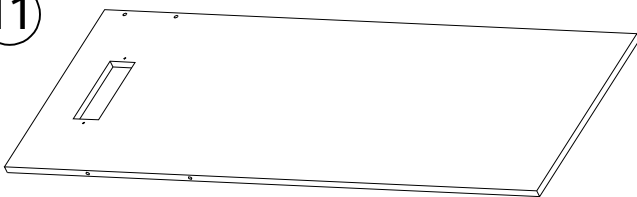
10



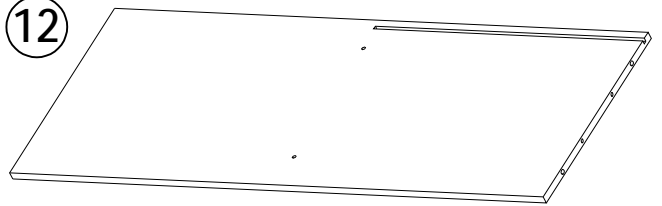
9



11



12



13



14

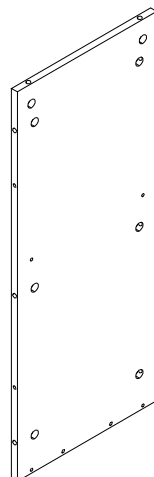


x 2

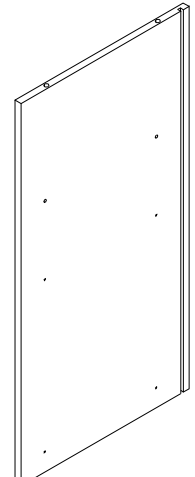
15



16

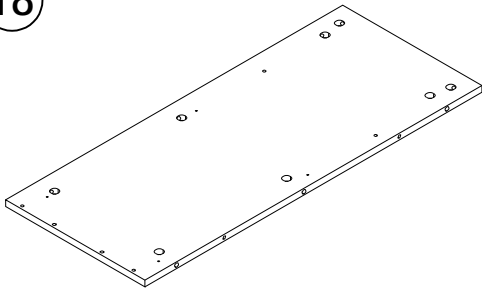


17

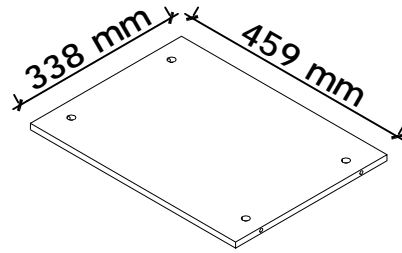




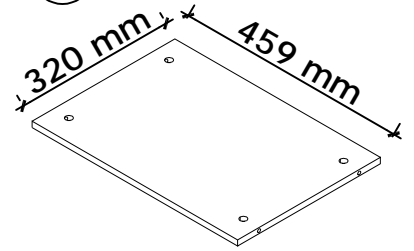
18



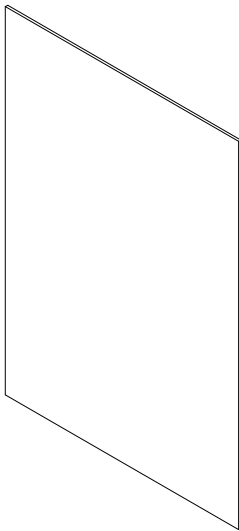
19



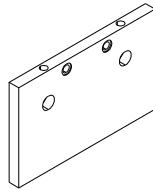
20



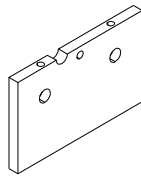
21



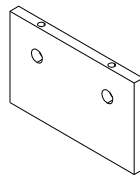
22



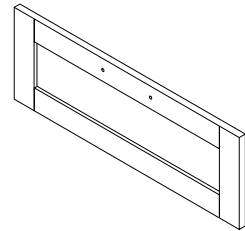
23



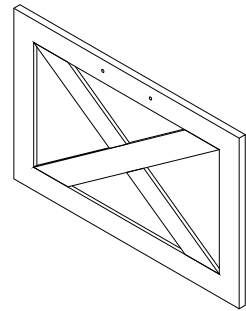
24



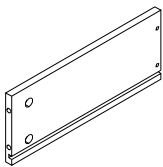
25



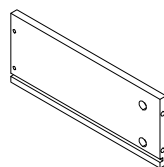
26



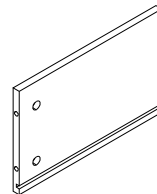
27



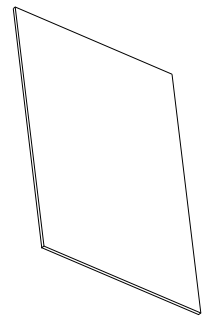
28



29

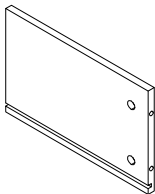


33

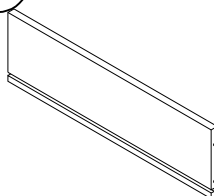


x 2

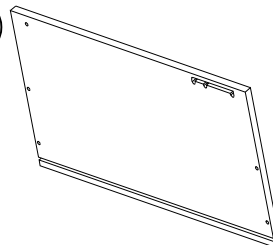
30



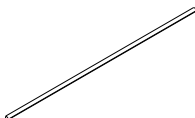
31



32

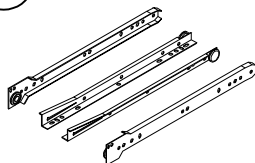


34



x 2

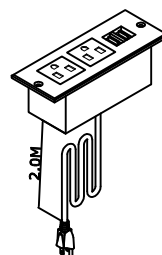
35



12"




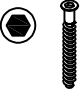




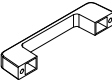

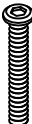
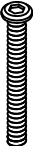





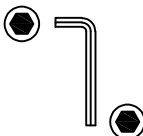

x 2

36



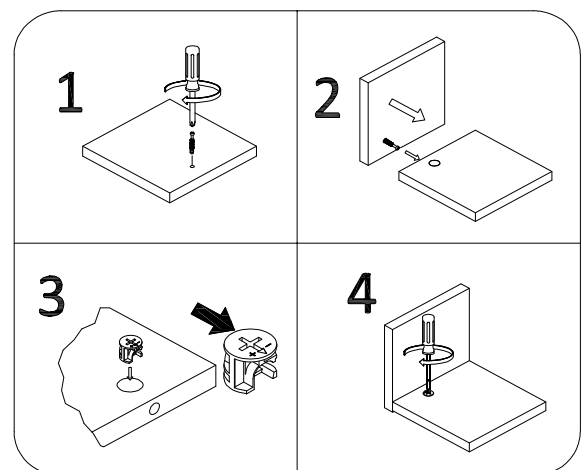
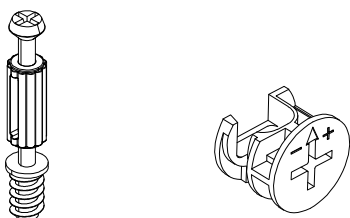
37



<p>A M5x35</p>  <p>44 PCS</p>	<p>B Ø15x10</p>  <p>44 PCS</p>	<p>C M3.5x12</p>  <p>26 PCS</p>	<p>D M5x40</p>  <p>16 PCS</p>	<p>E Ø6x40</p>  <p>14 PCS</p>	<p>F M6x10</p>  <p>10 PCS</p>	<p>G M6x22</p>  <p>1 PCS</p>
<p>H M6x28</p>  <p>4 PCS</p>	<p>I 8347-96</p>  <p>2 PCS</p>	<p>J M4x15</p>  <p>4 PCS</p>	<p>K M6x40</p>  <p>6 PCS</p>	<p>L M6x50</p>  <p>5 PCS</p>	<p>M</p>  <p>6 PCS</p>	<p>N M3.5x14</p>  <p>8 PCS</p>
<p>O</p>  <p>8 PCS</p>	<p>P 15*6*2</p>  <p>6 PCS</p>	 <p>1 PCS</p>	<p>4#</p>  <p>1 PCS</p>	<p>3#</p>  <p>1 PCS</p>		

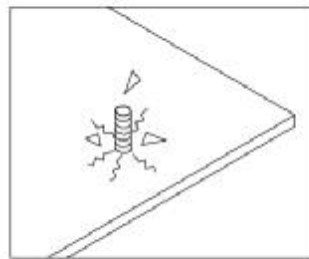
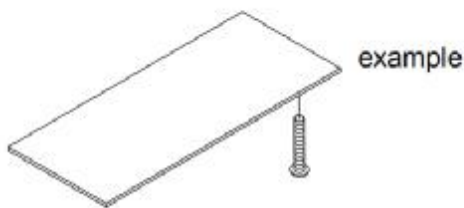
Cam Lock Fastening System

This Cam Lock Fastening System will be used throughout the assembly process

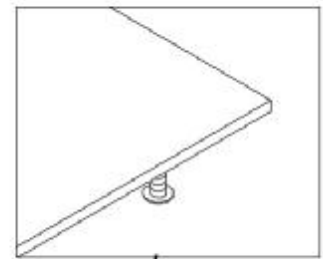


1. Matters needing attention

Be sure to use the proper screws to avoid damaging the parts



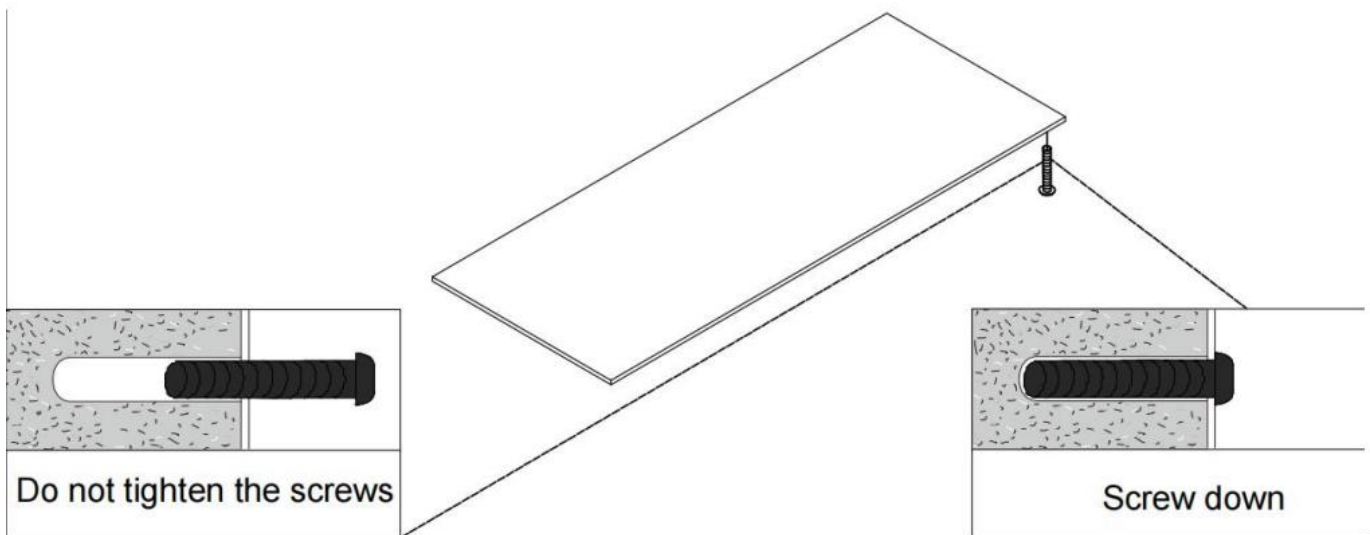
Wrong screws can cause the plank to crack



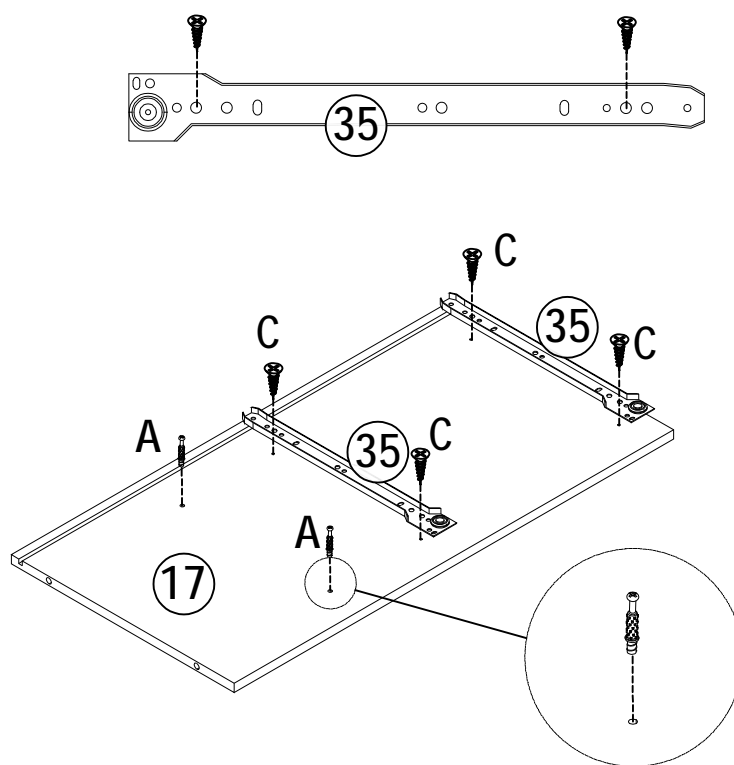
The right screw is the right size

2. Matters needing attention

- (1) When installing the screws in the installation step, the screws do not need to be tightened. After this installation step is confirmed and the holes are aligned, then tighten all the screws.
- (2) If the screws are tightened during the installation process, it will cause problems such as misalignment of the screw holes and misalignment of the board in subsequent installations.



1



A M5x35



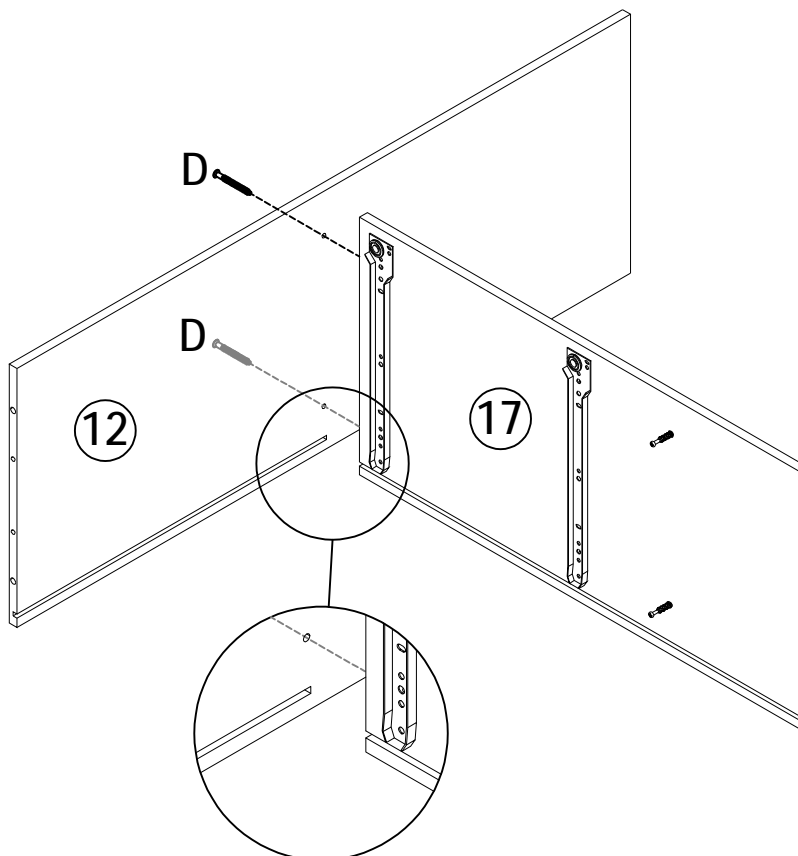
2 PCS

C M3.5x12



4 PCS

2

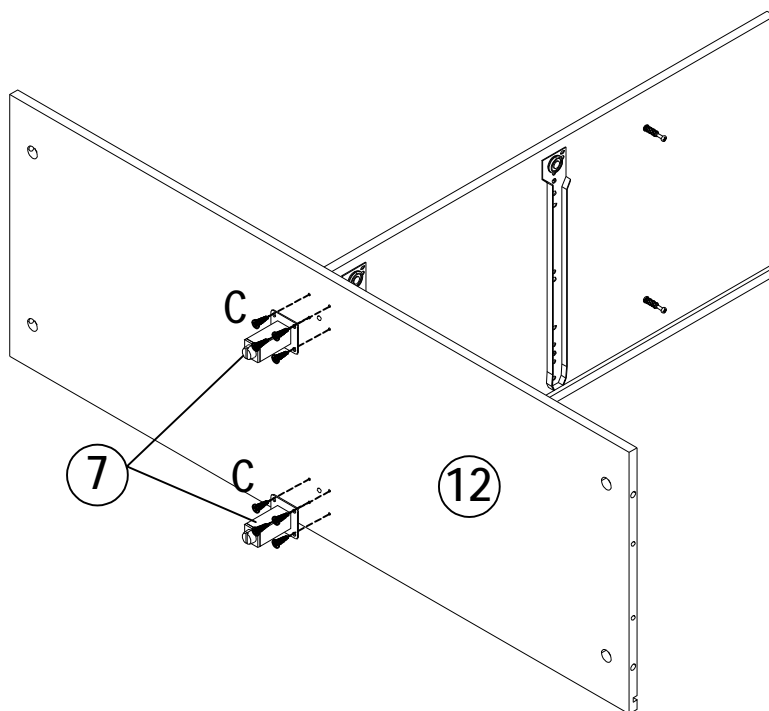


D M5x40



2 PCS

3

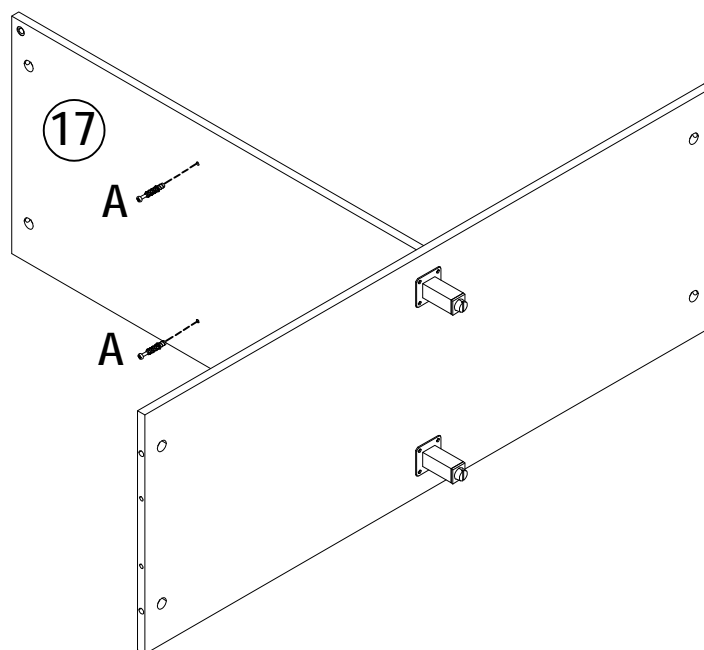


C M3.5x12



8 PCS

4

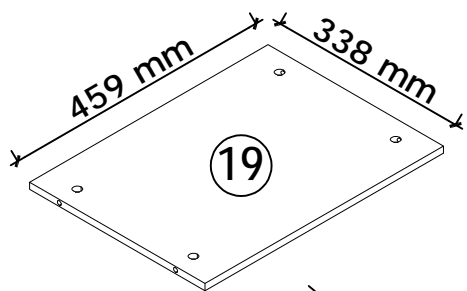


A M5x35



2 PCS

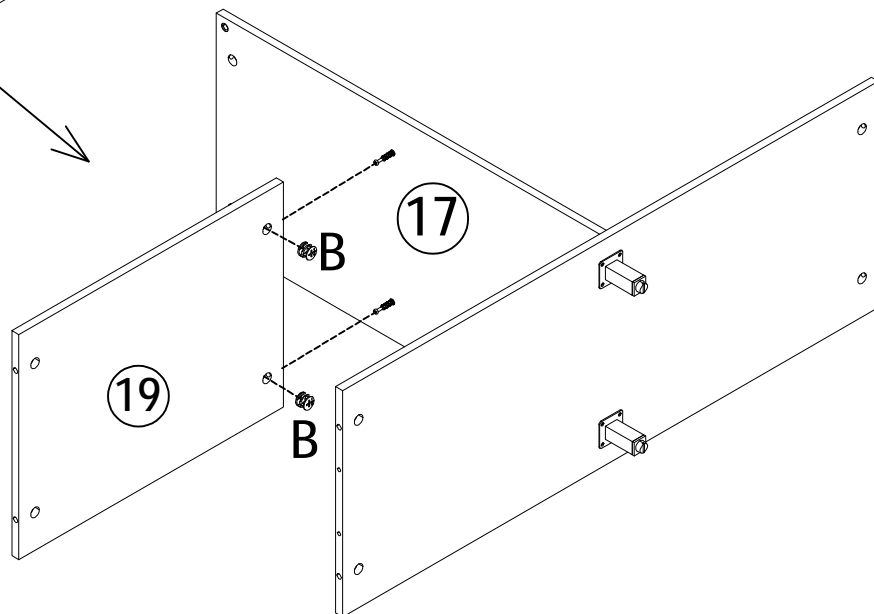
5



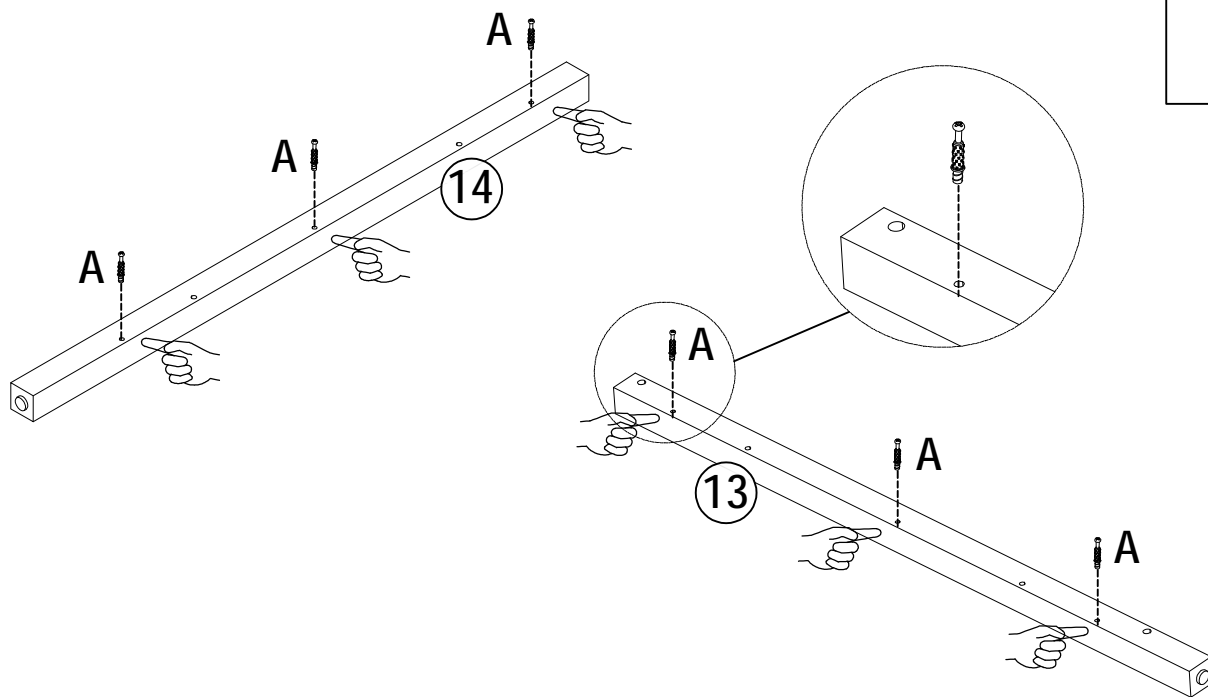
B Ø15x10



2 PCS



6

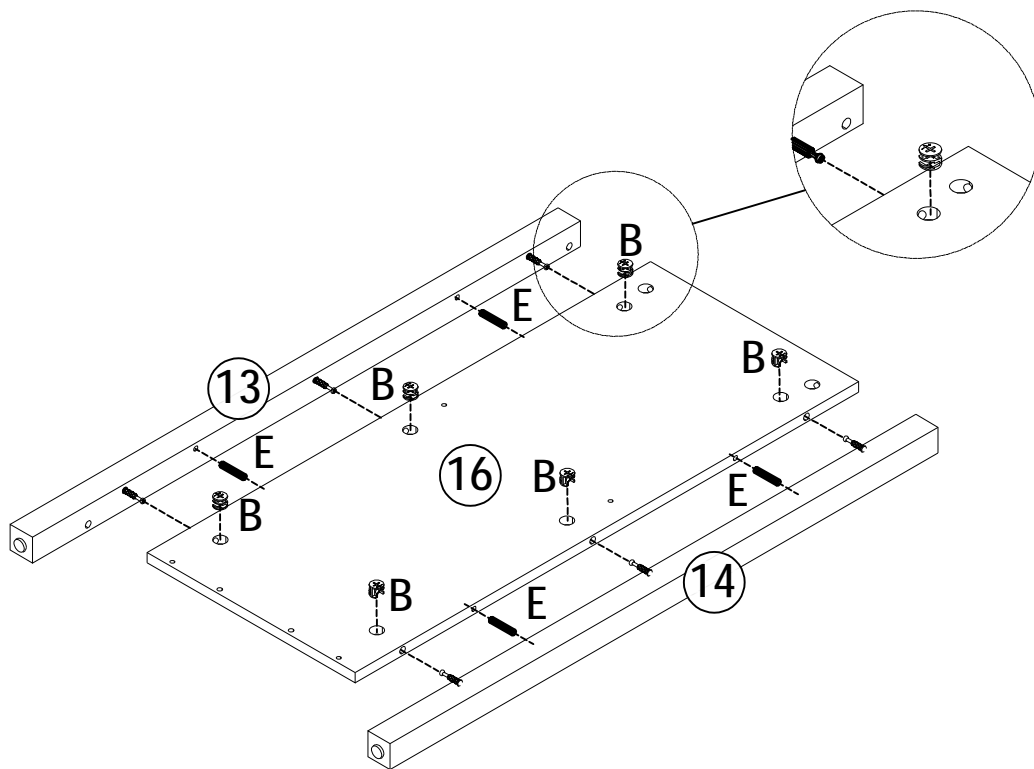


A M5x35



6 PCS

7



B Ø15x10



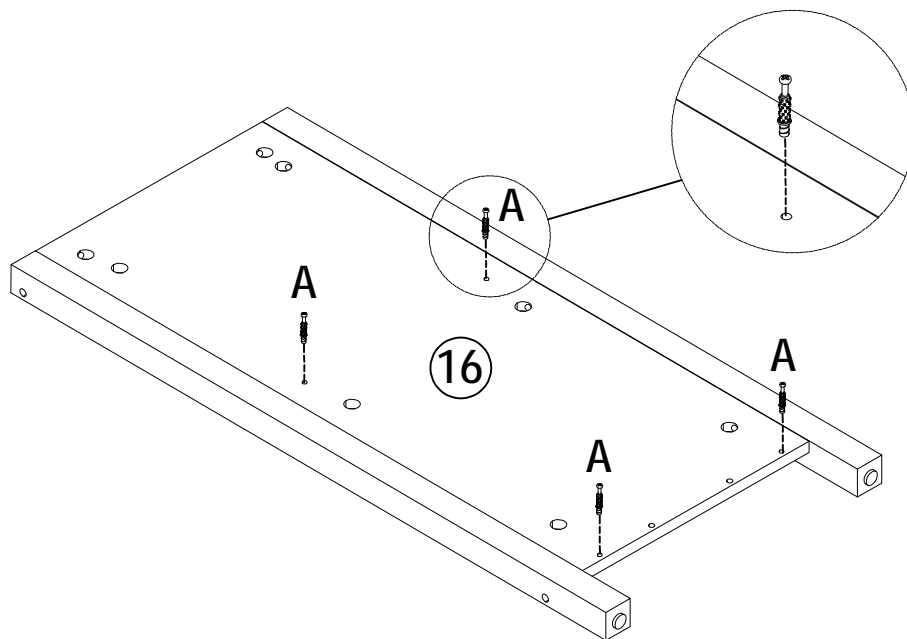
6 PCS

E Ø6x40



4 PCS

8



A M5x35



4 PCS

9

B \varnothing 15x10

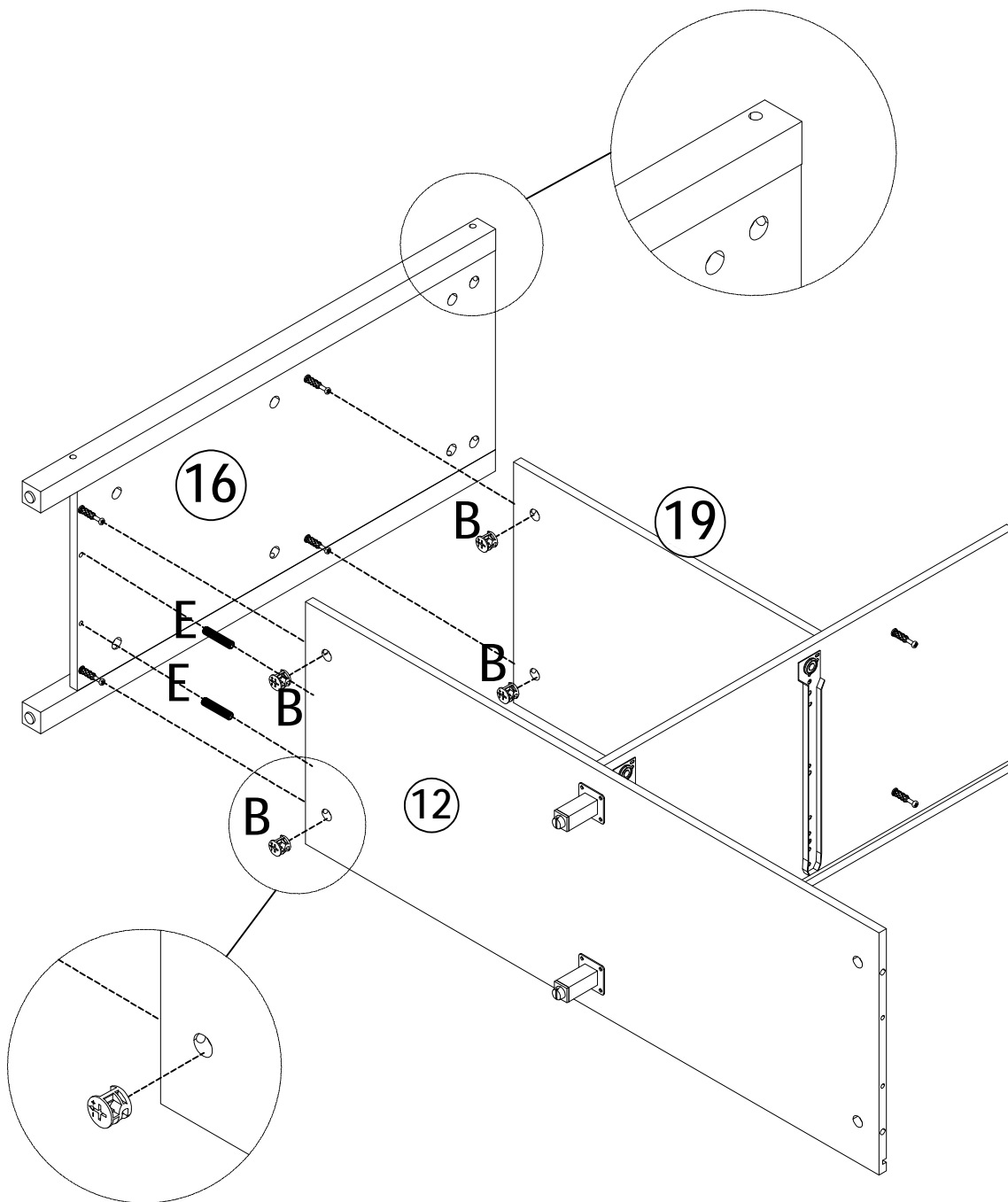


4 PCS

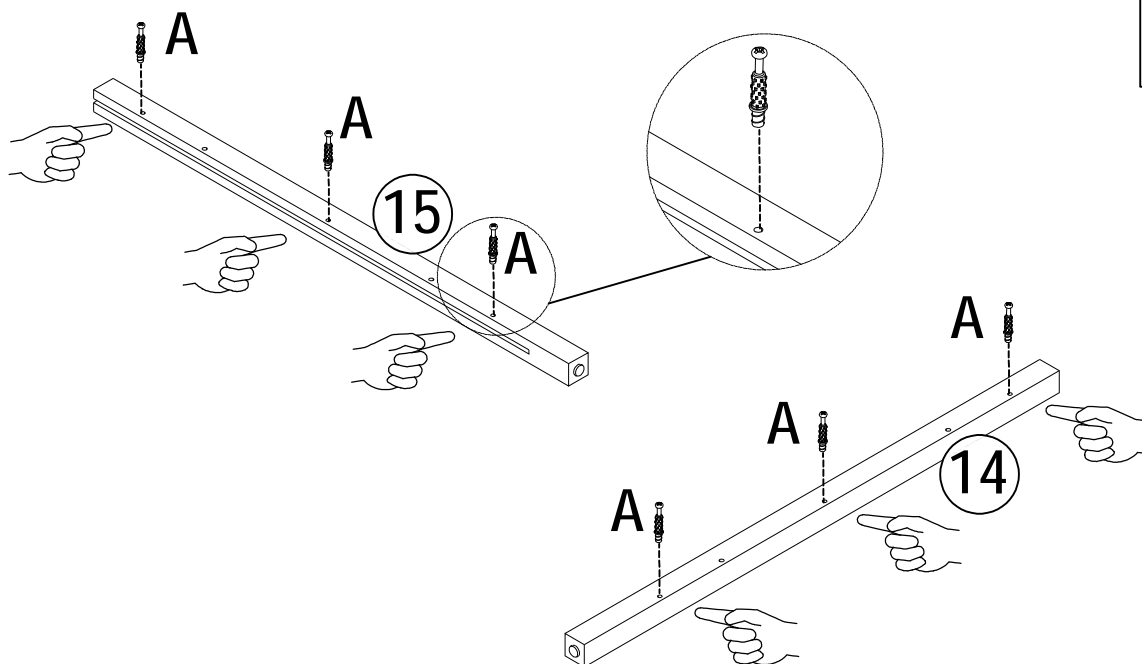
E \varnothing 6x40



2 PCS



10

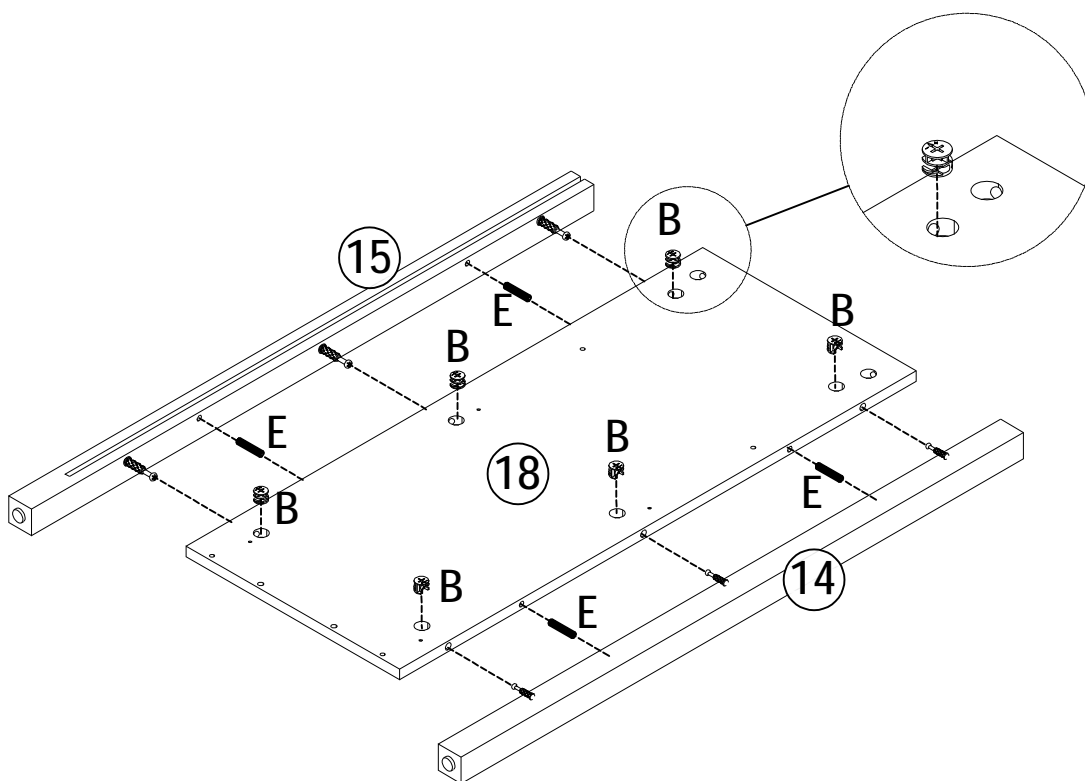


A M5x35



6 PCS

11



B Ø15x10



6 PCS

E Ø6x40



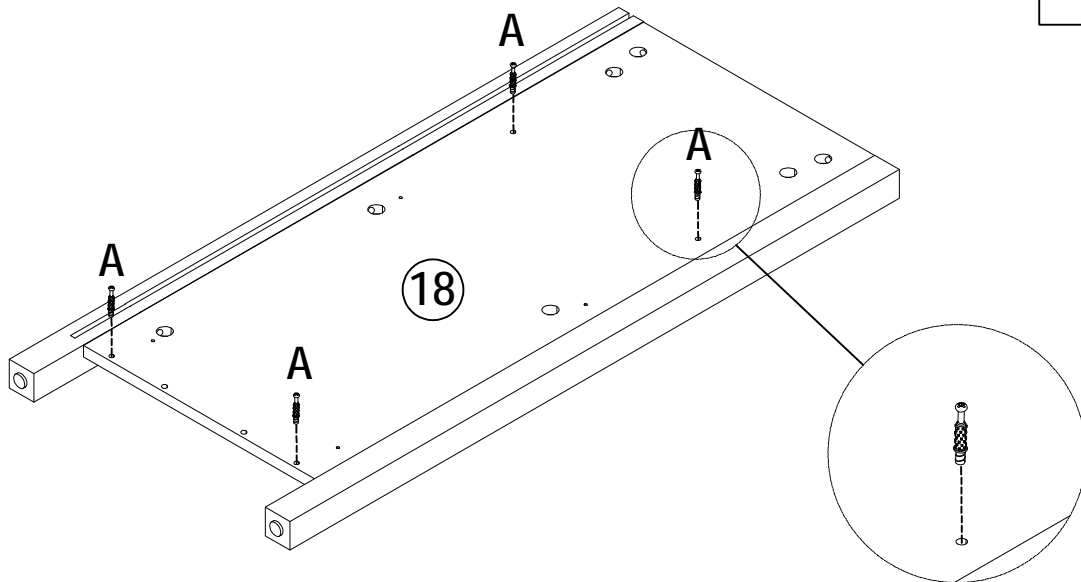
4 PCS

12

A M5x35



4 PCS

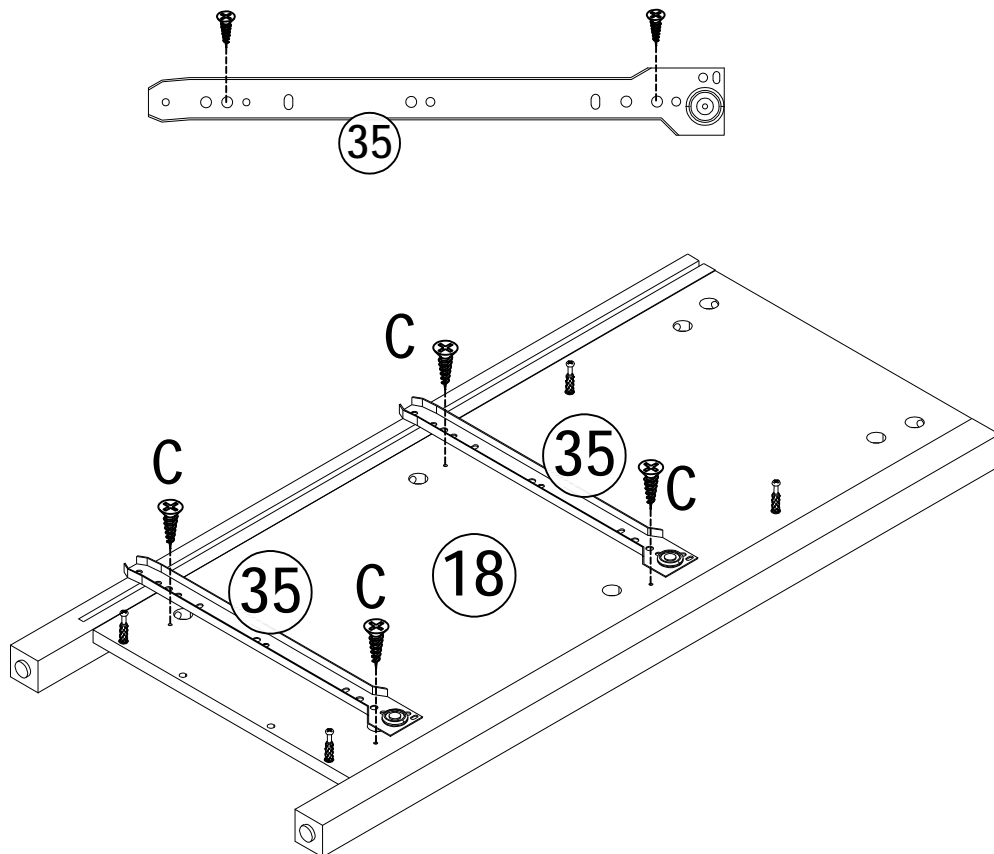


13

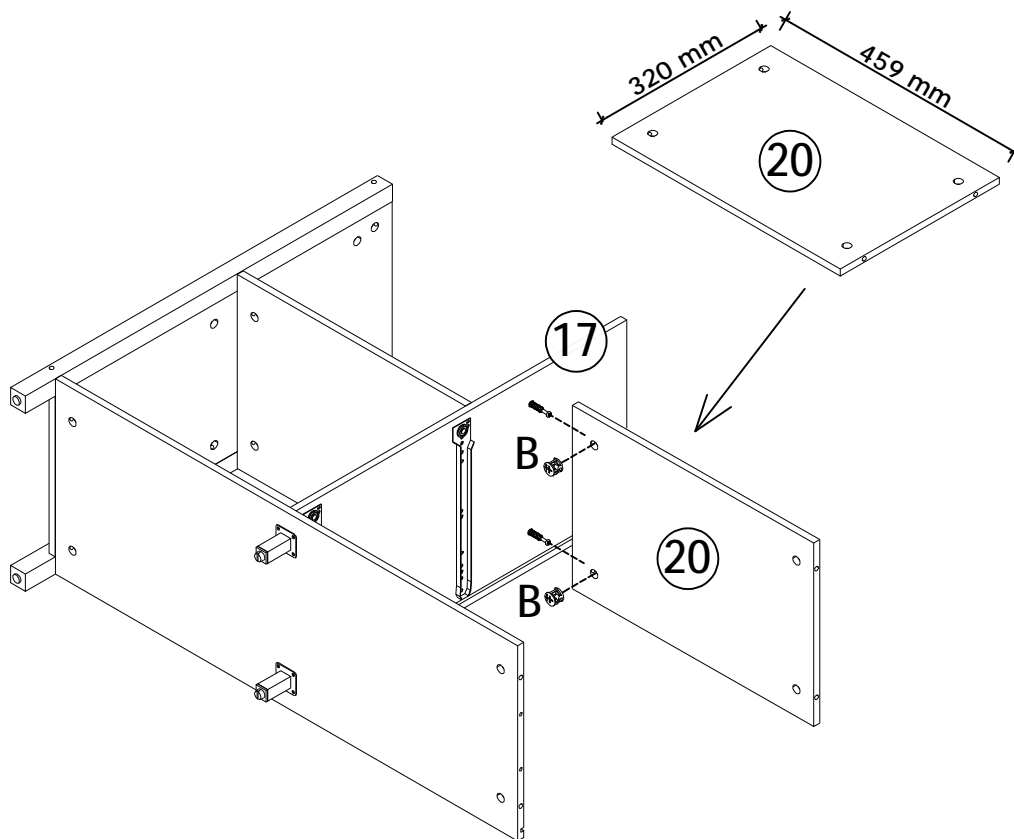
C M3.5x12



4 PCS



14

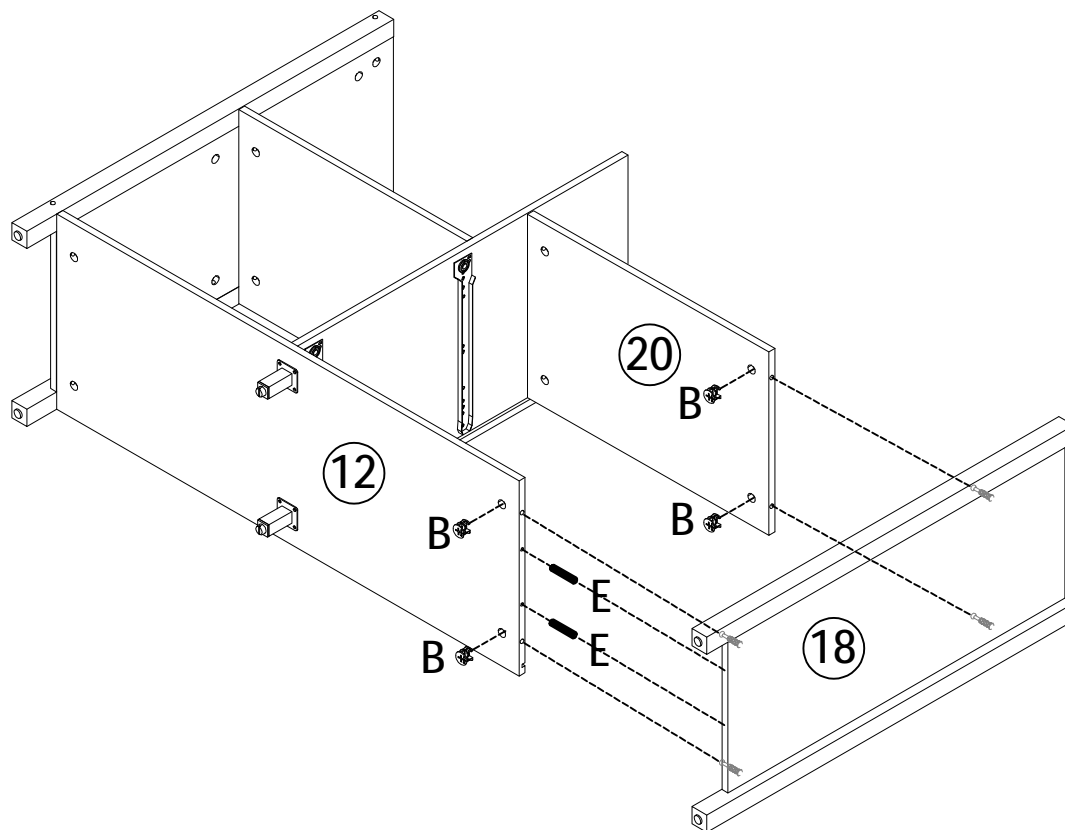


B $\varnothing 15 \times 10$



2 PCS

15



B $\varnothing 15 \times 10$



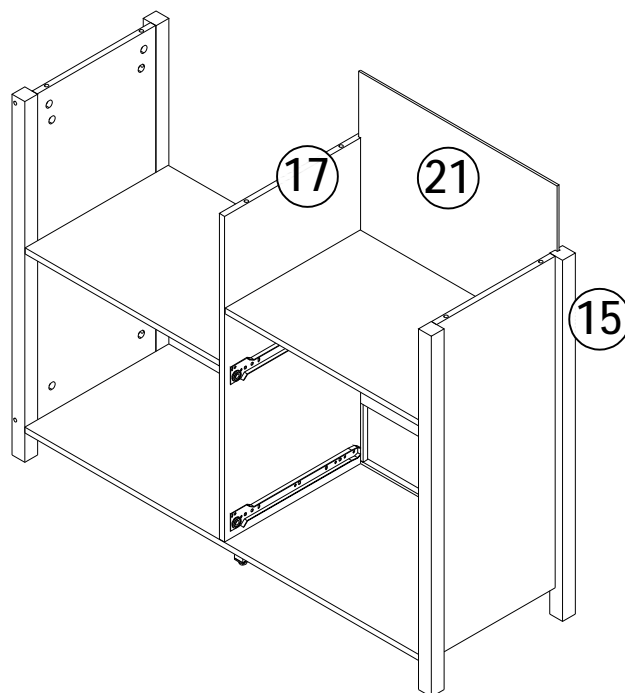
4 PCS

E $\varnothing 6 \times 40$

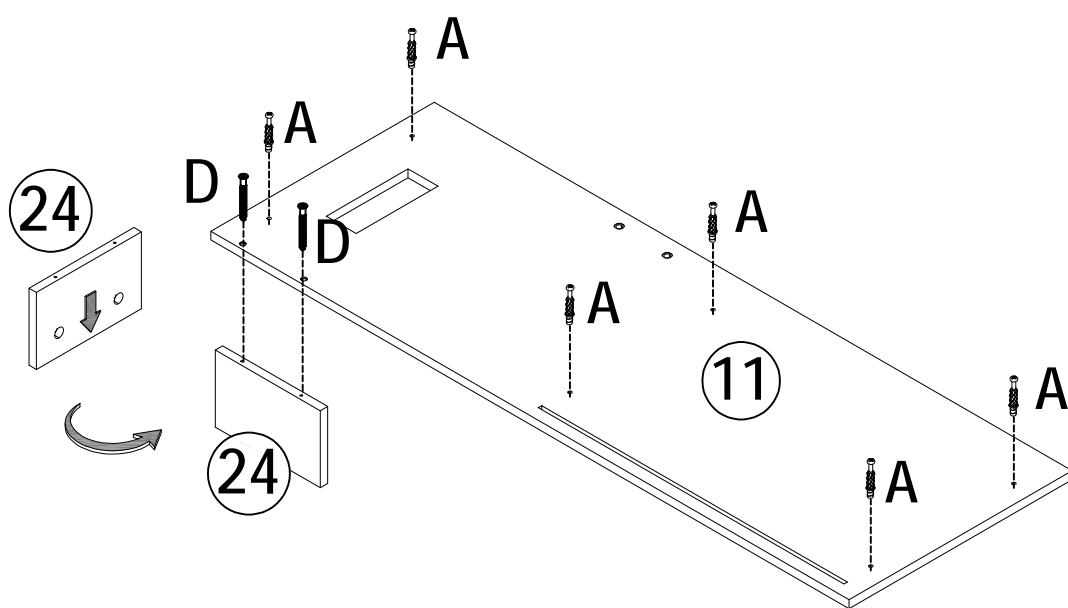


2 PCS

16



17



A M5x35



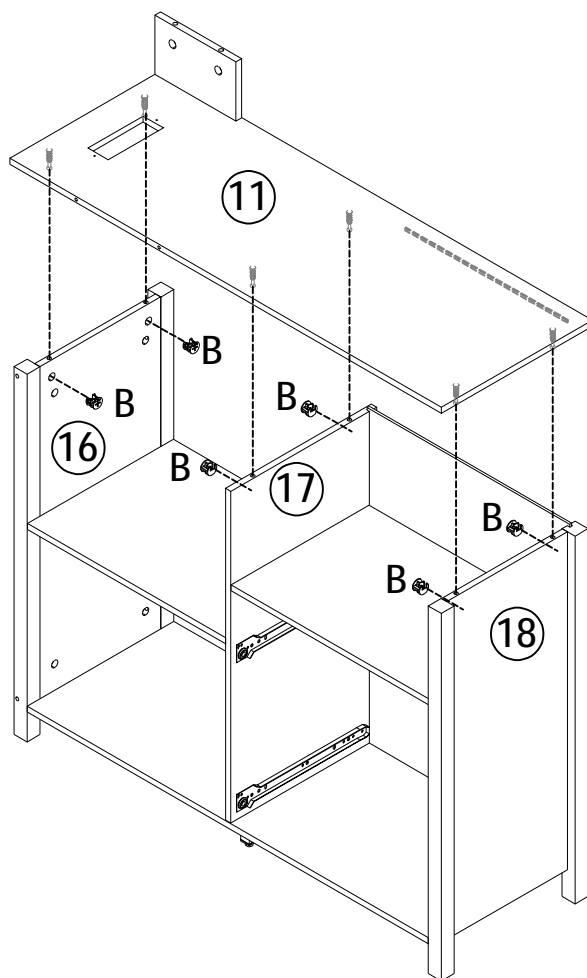
6 PCS

D M5x40



2 PCS

18

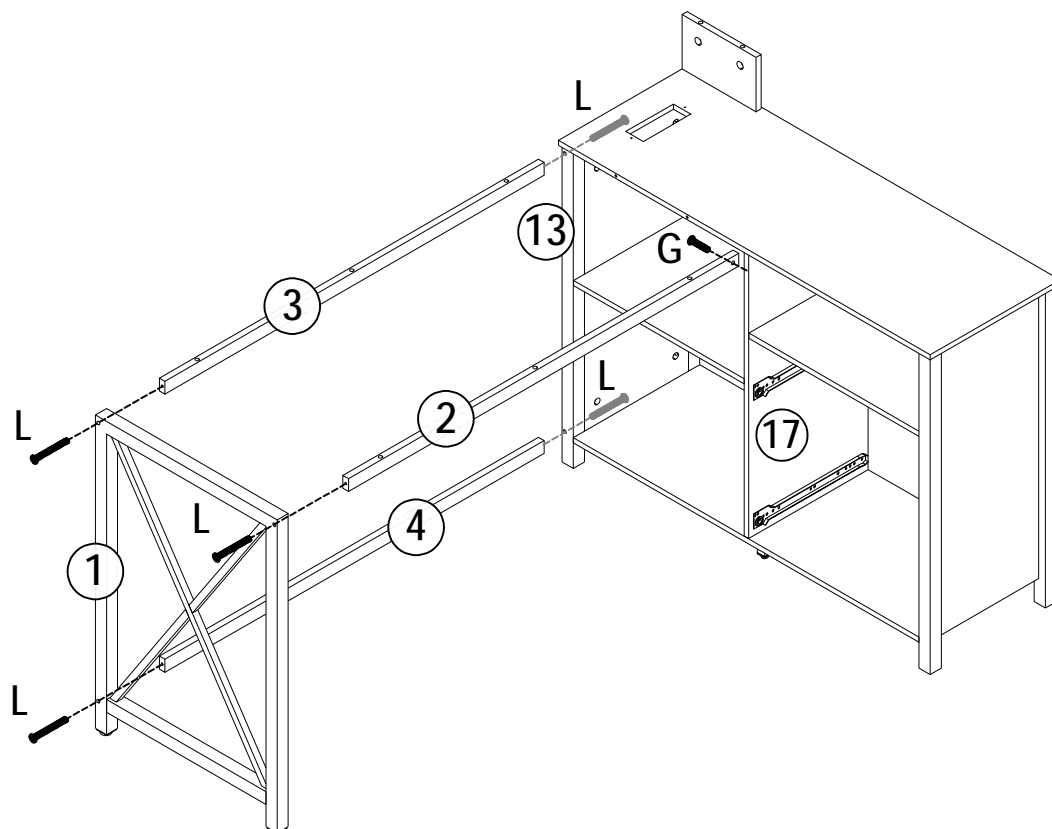


B Ø15x10



6 PCS

19



L M6x50



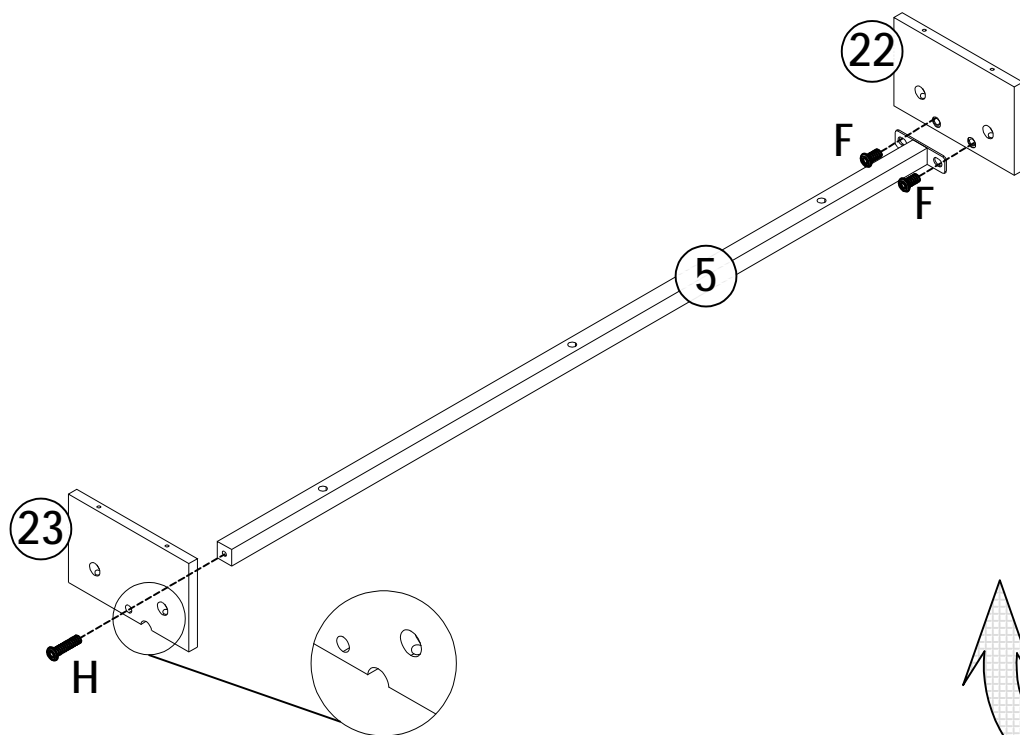
5 PCS

G M6x22



1 PCS

20



F M6x10

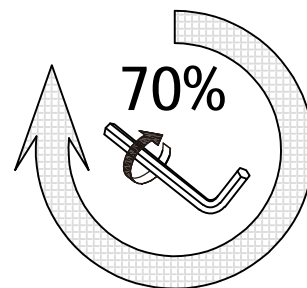


2 PCS

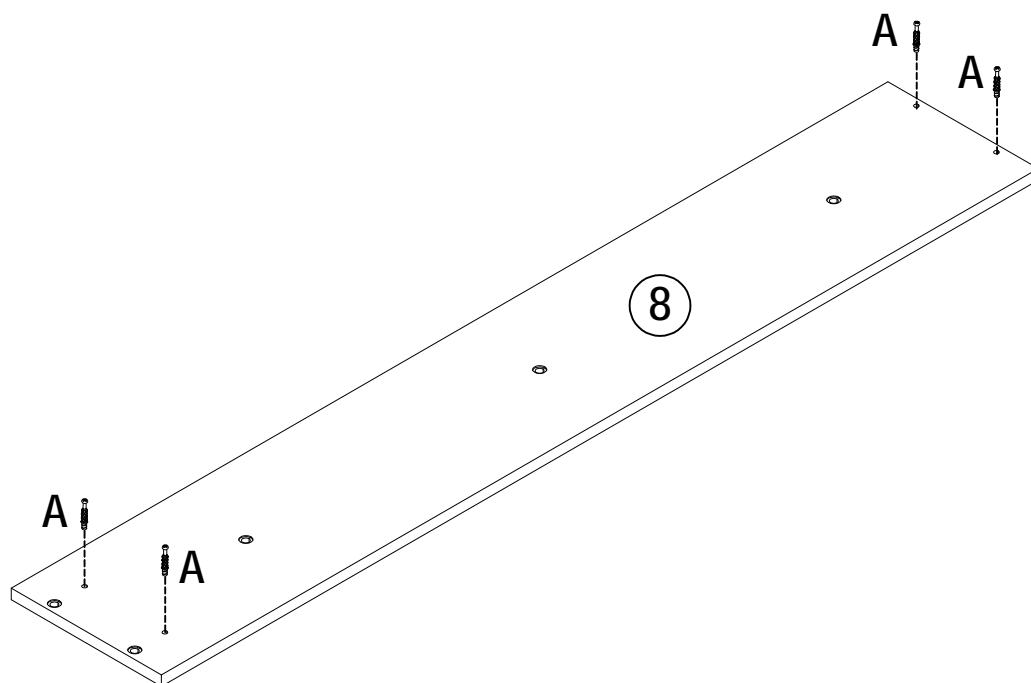
H M6x28



1 PCS



21

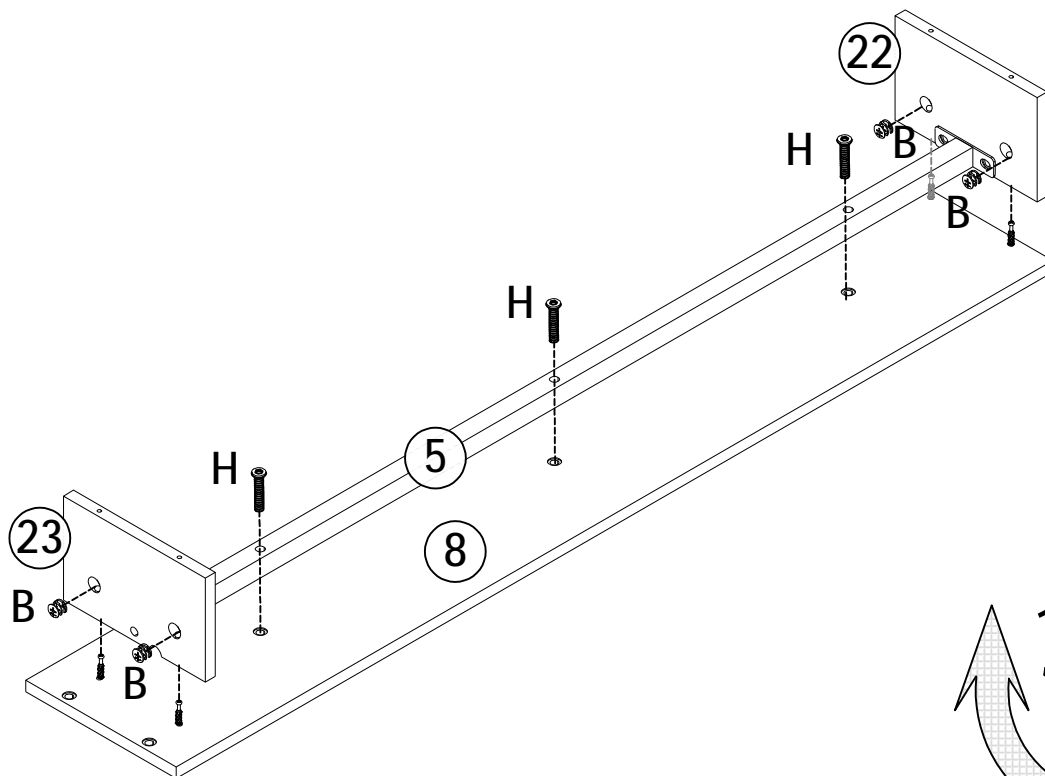


A M5x35



4 PCS

22



B Ø15x10

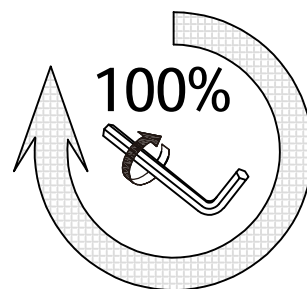


4 PCS

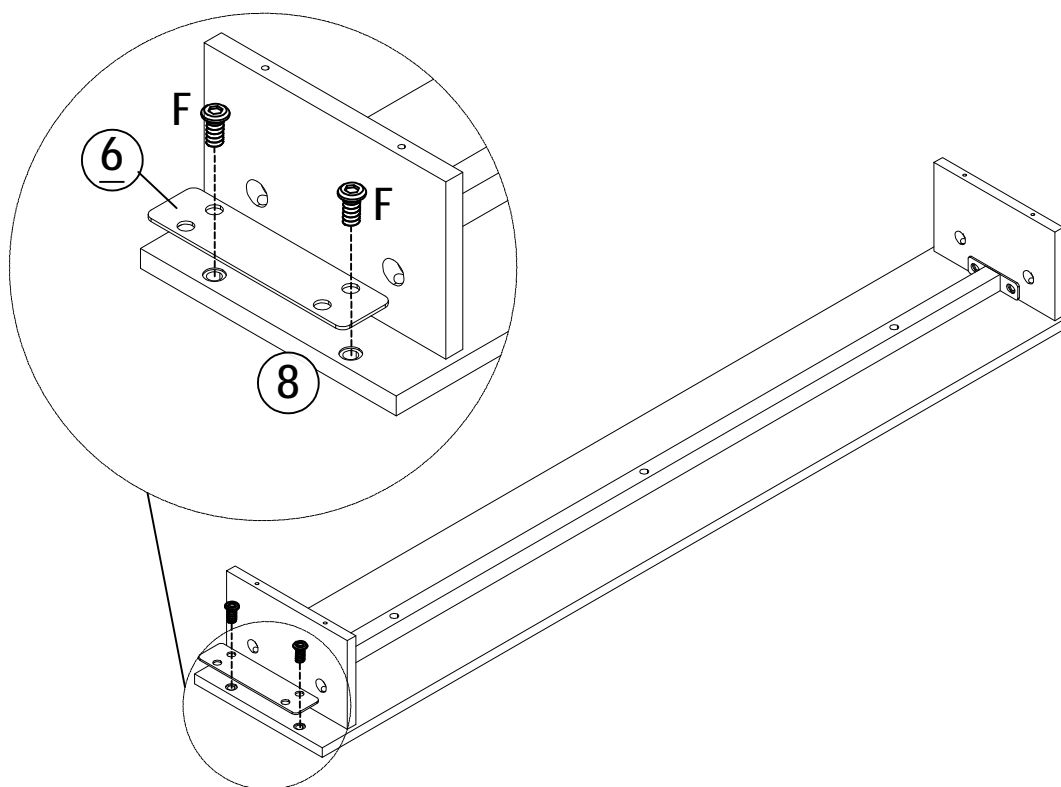
H M6x28



3 PCS



23



F M6x10



2 PCS

24

D M5x40

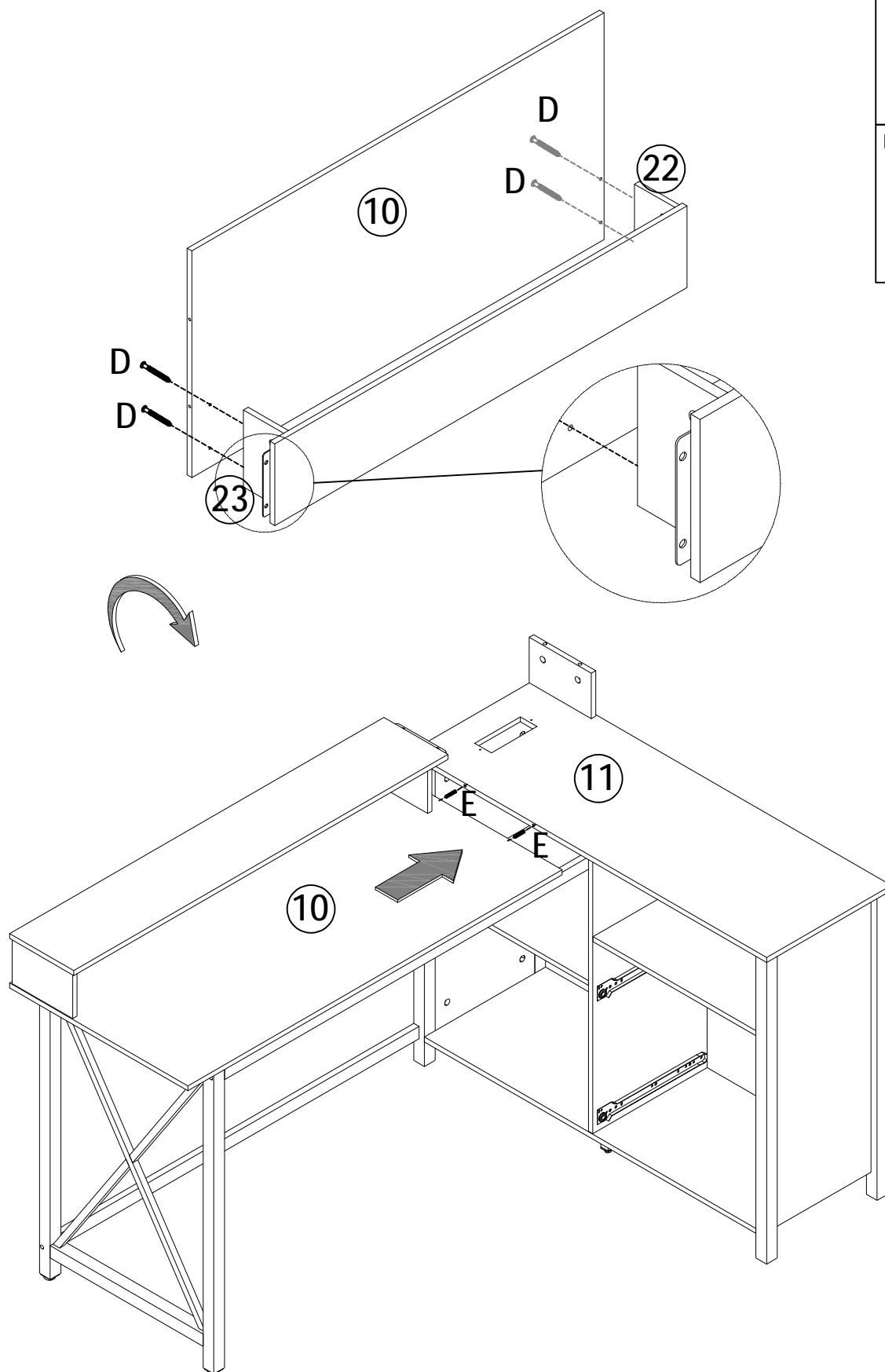


4 PCS

E Ø6x40



2 PCS



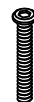
25

C M3.5x12



2 PCS

K M6x40

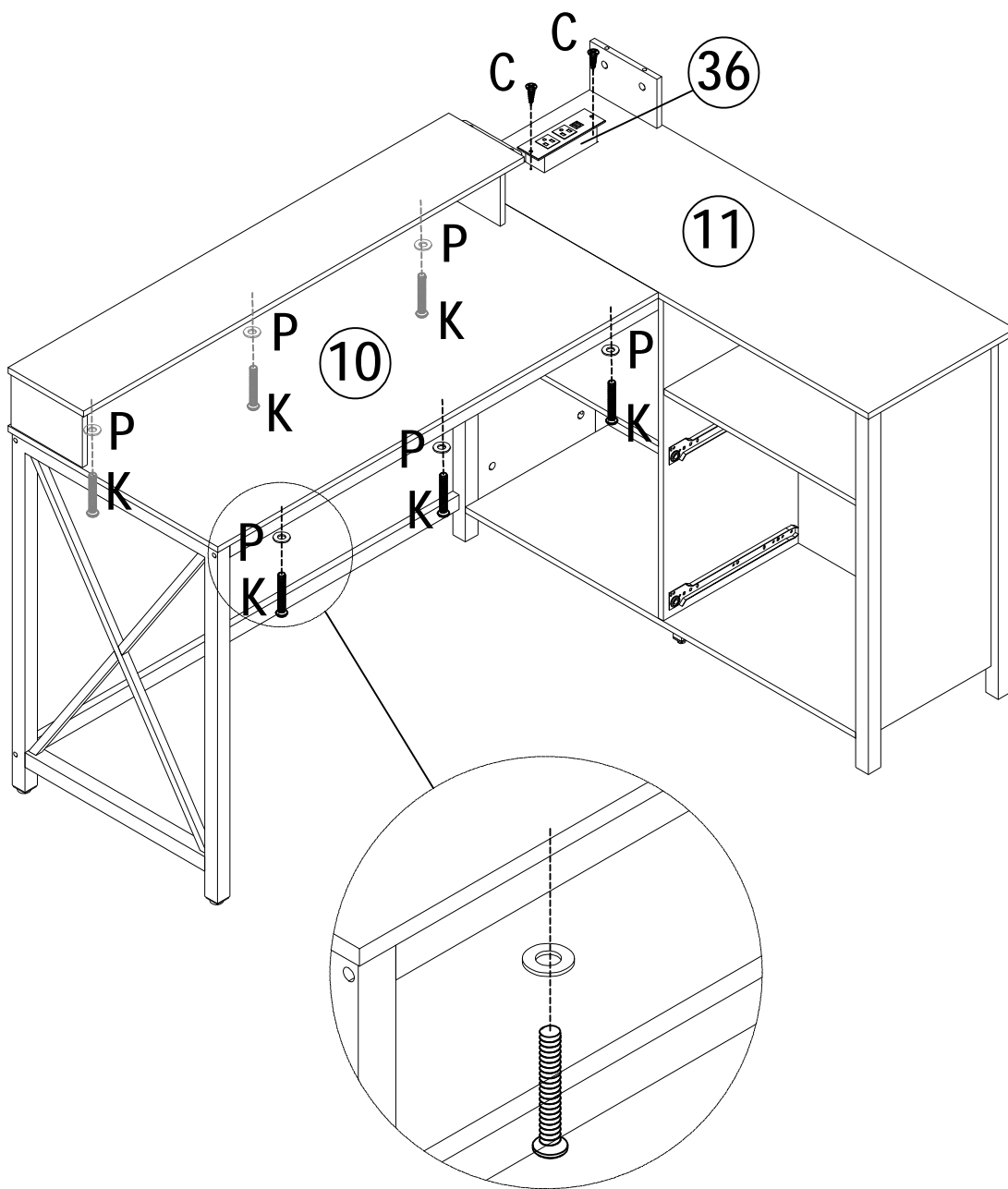


6 PCS

P 15*6*2



6 PCS

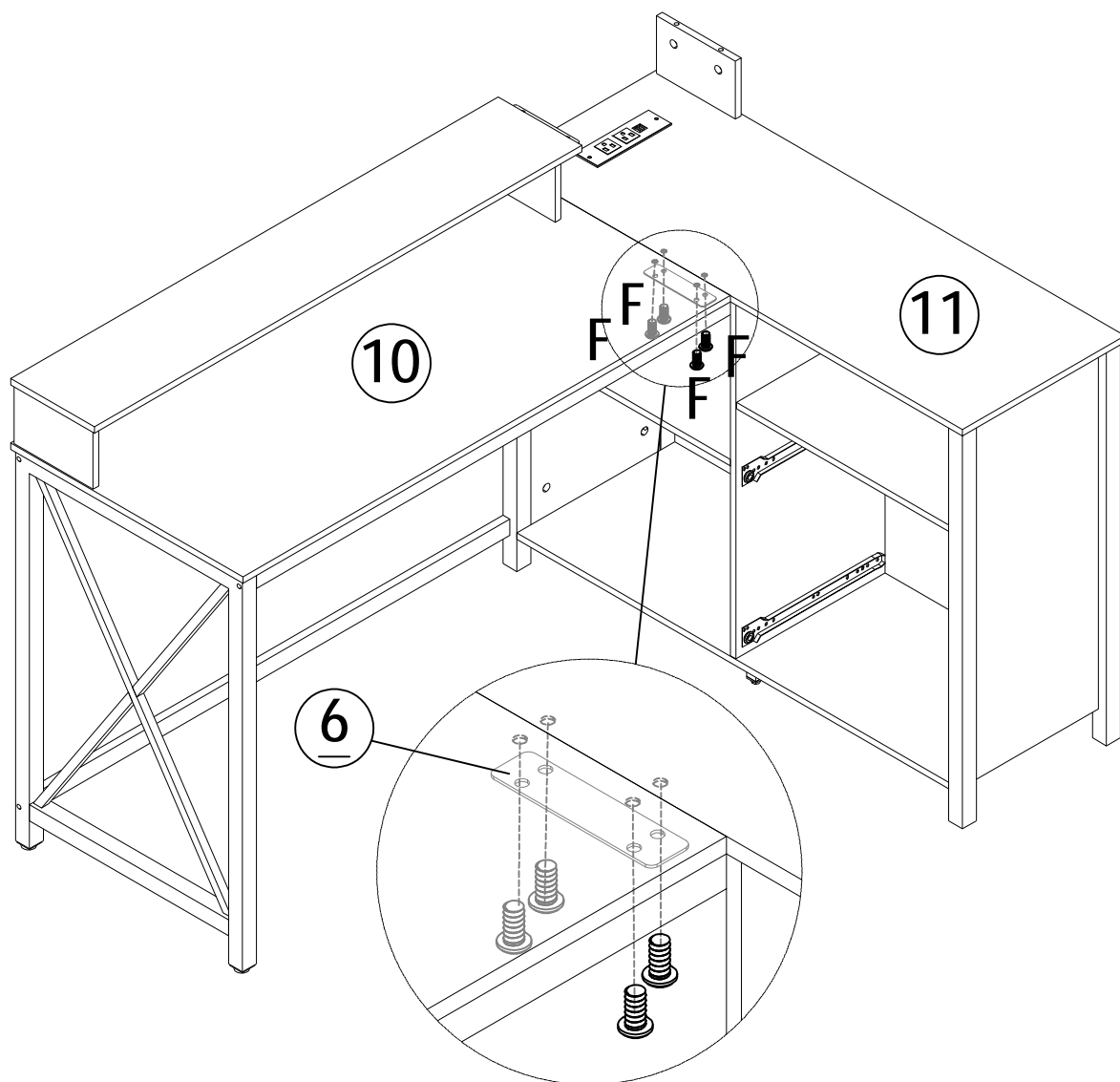


26

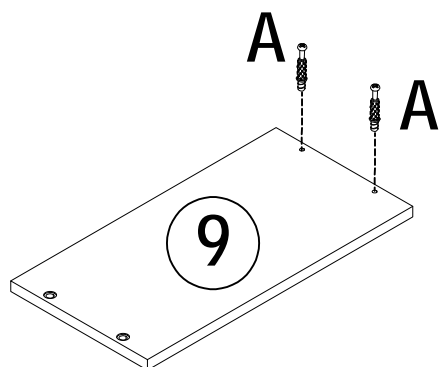
F M6x10



4 PCS



27



A M5x35



2 PCS

B Ø15x10

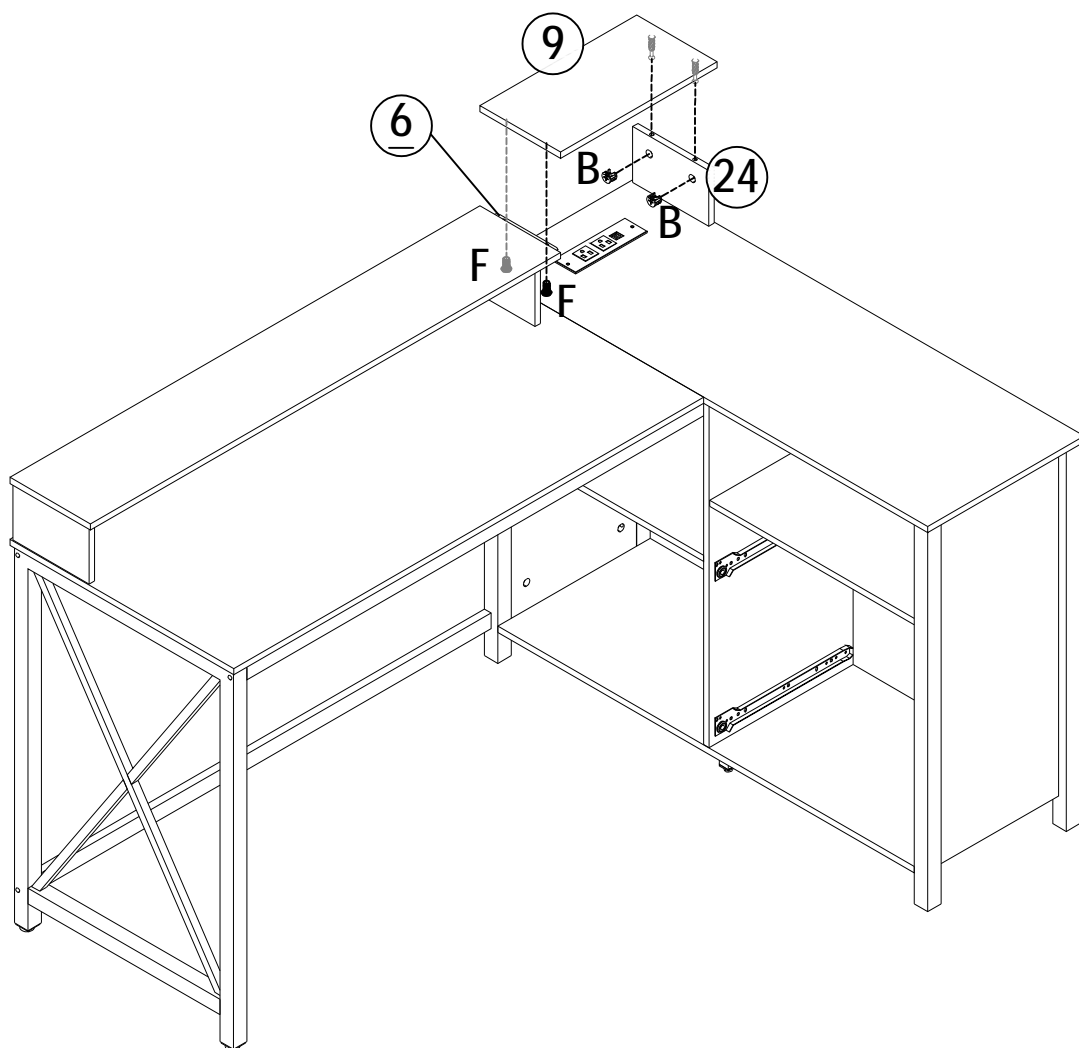


2 PCS

F M6x10



2 PCS

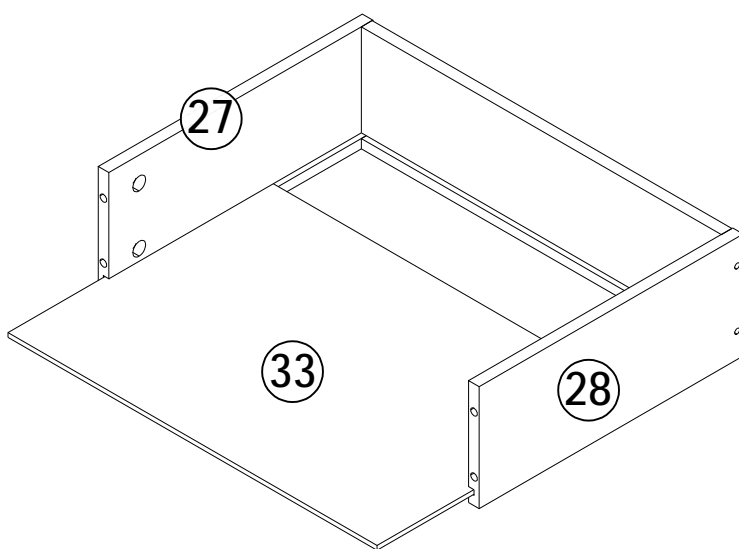
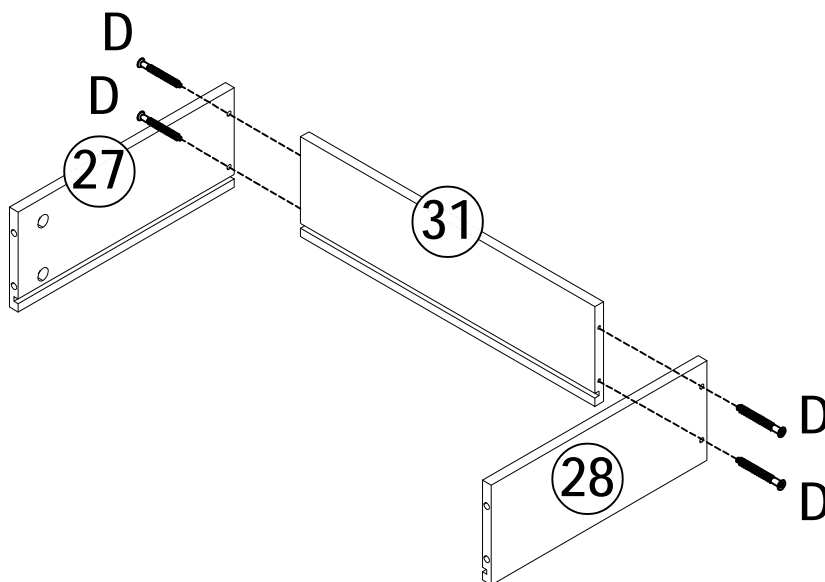


28

D M5x40



4 PCS

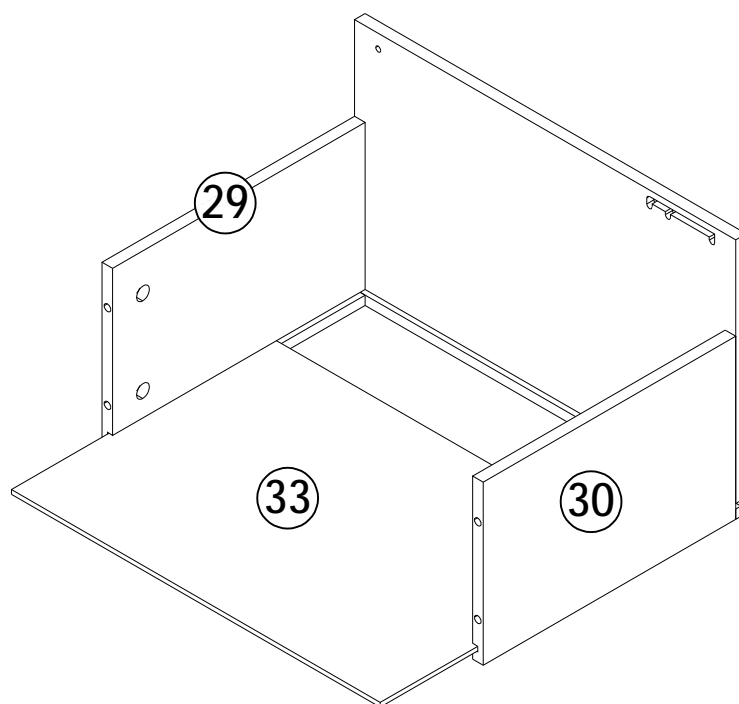
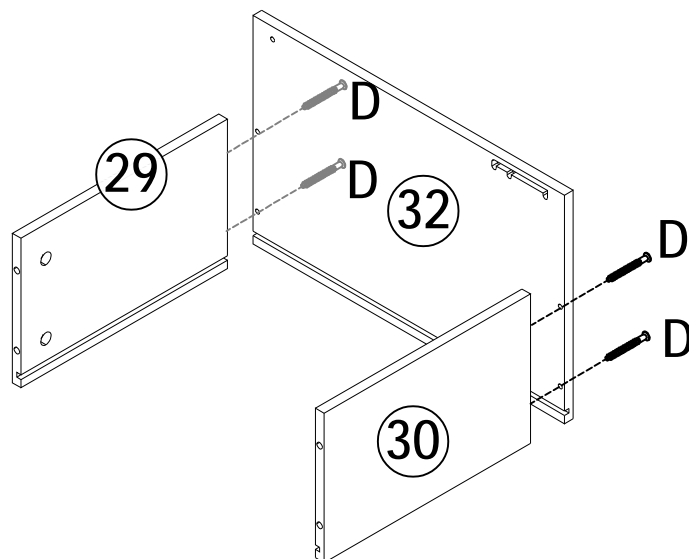


29

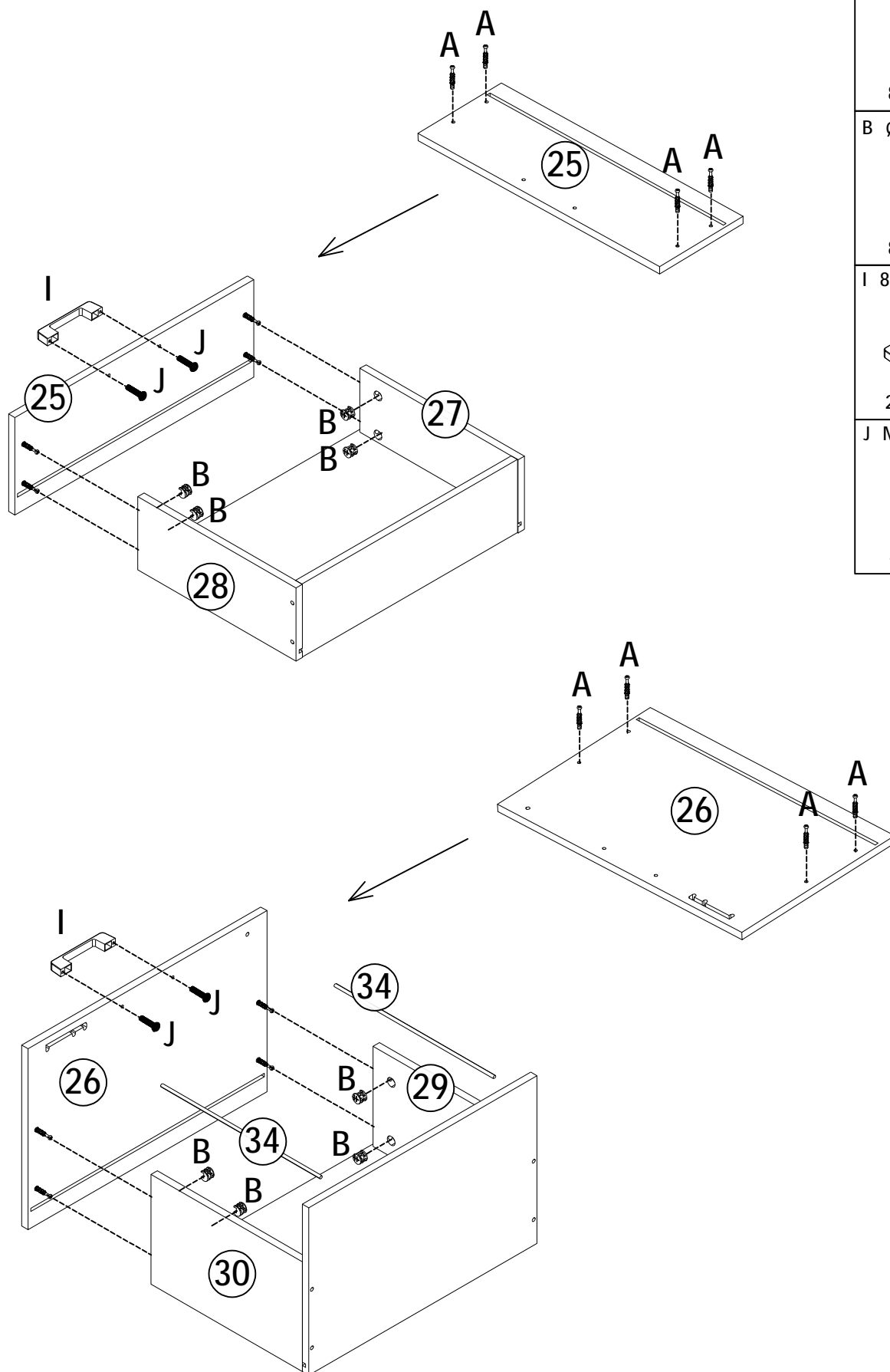
D M5x40



4 PCS



30



A M5x35



8 PCS

B Ø15x10



8 PCS

I 8347-96



2 PCS

J M4x15



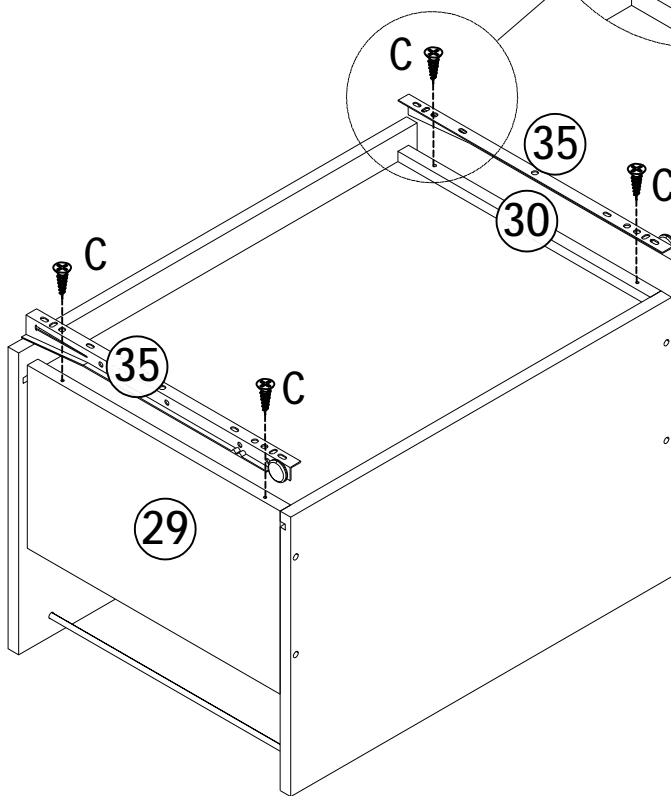
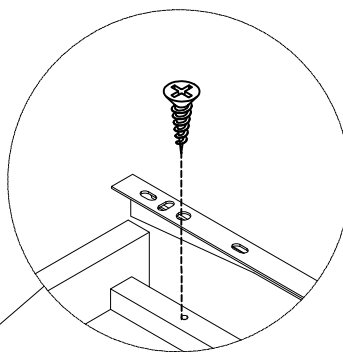
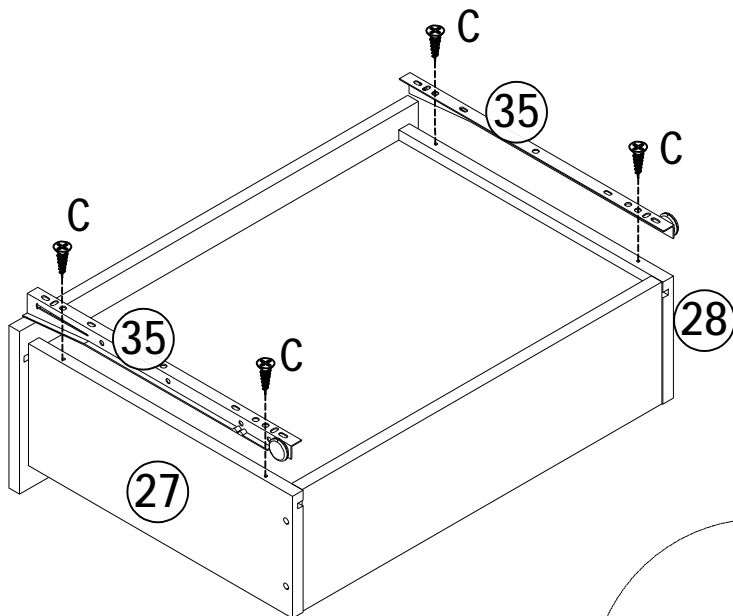
4 PCS

31

C M3.5x12



8 PCS

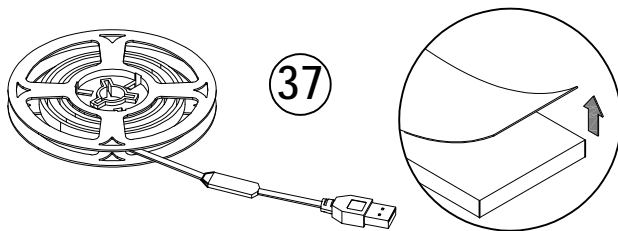


32

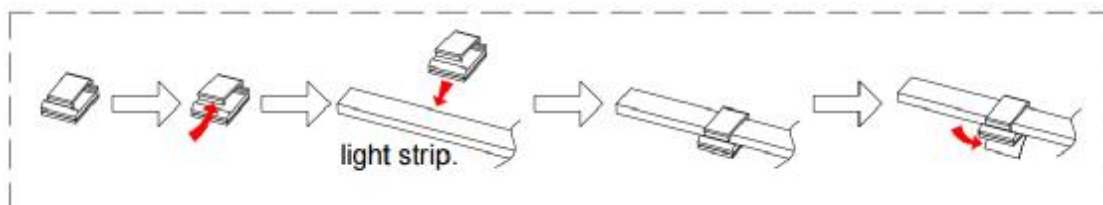
M



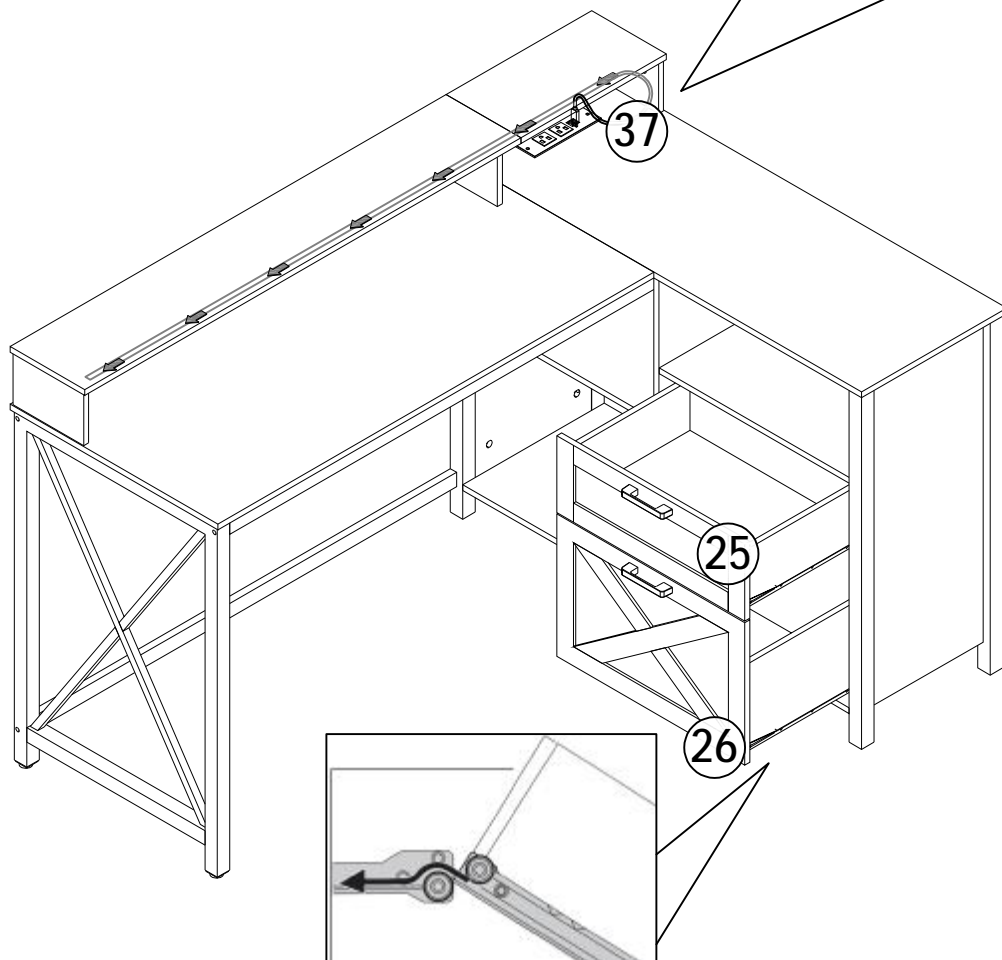
6 PCS



Carefully remove the plastic film behind the light strip.



Note that M can be installed or not according to personal needs. M is used for the stick-off configuration of the light strip.



33

N M3.5x14

O



8 PCS

8 PCS

