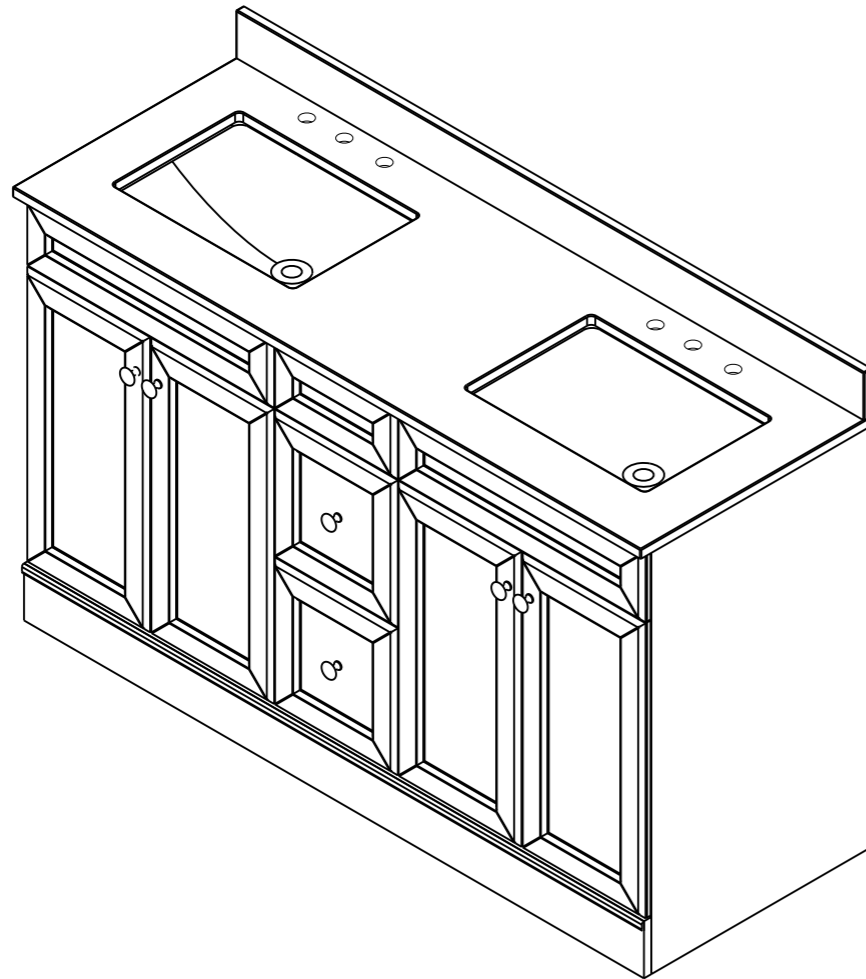


# BATHROOM VANITY COLLECTION

## THREE ONE 60 INSTALLATION MANUAL



### Installation Manual

1. Carefully read the instructions before starting the Installation.
2. This vanity should be installed by an experienced Plumber.
3. Drain pipe and drain trap are not supplied. Connect to an existing drain pipe.

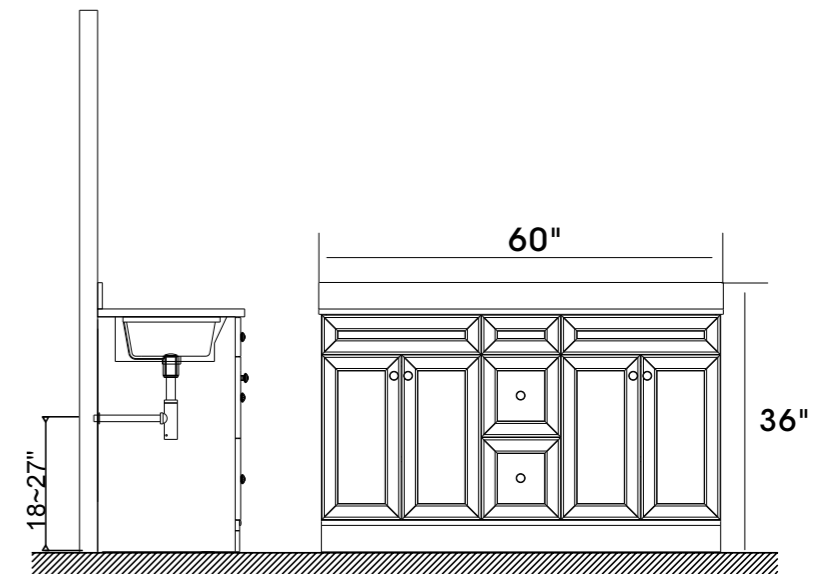
If you are missing any part, please stop and contact us immediately at: [service24honline@gmail.com](mailto:service24honline@gmail.com)

951-433-9027

408-728-6543

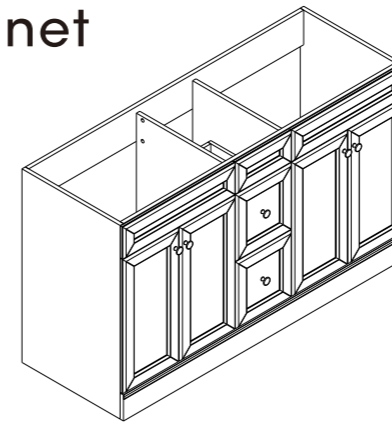
## PARTS LIST

Prior to installation, please check the items you have received against the packing list. Report any missing items to your local dealer immediately. Protect all surfaces from sharp objects, high heat sources, direct prolonged sunlight and chemical hazards.

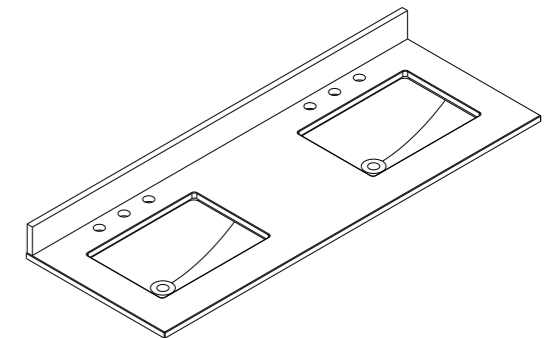


Professional installation is recommended.

### Cabinet



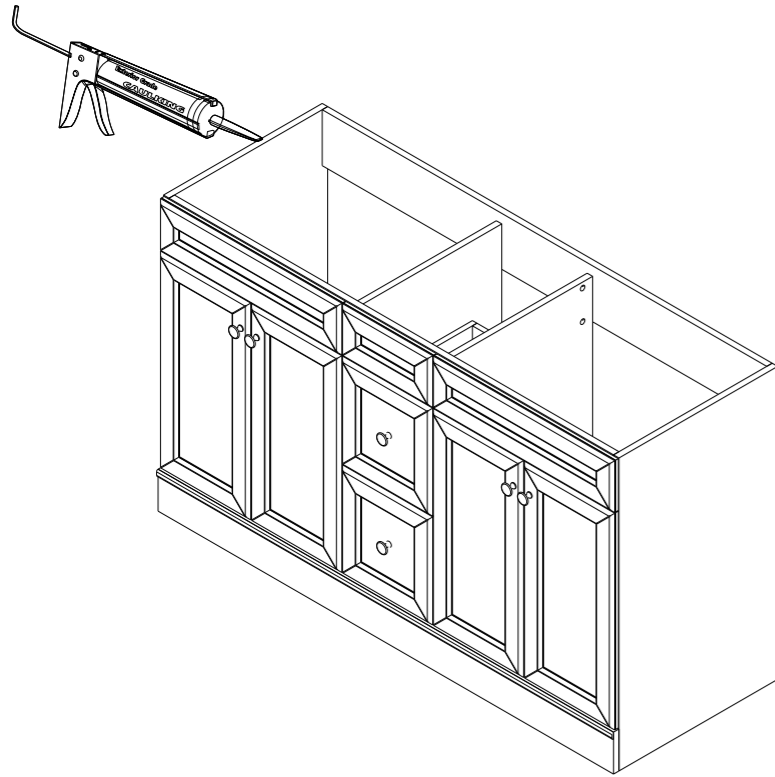
### Top



## REQUIRED TOOLS (not supplied)

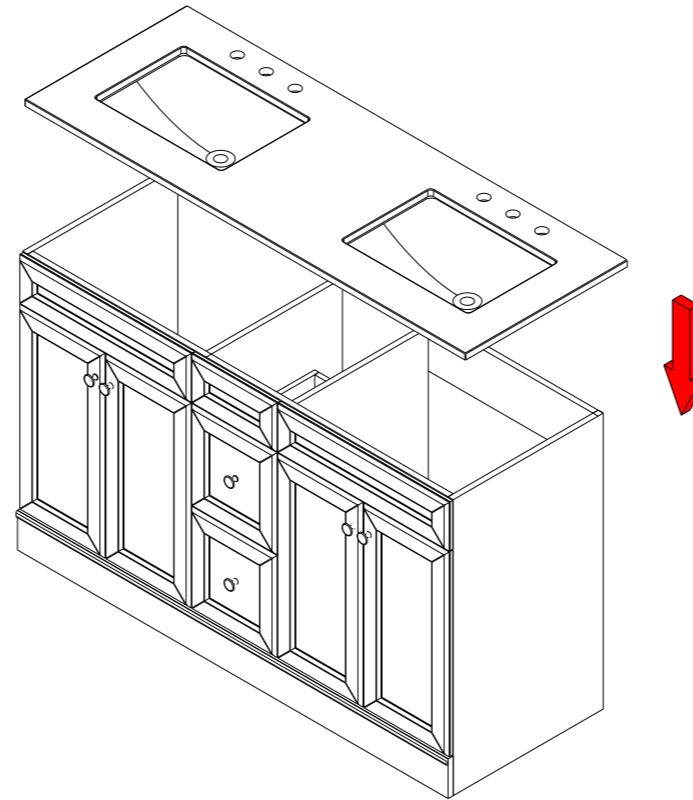


# Top installation



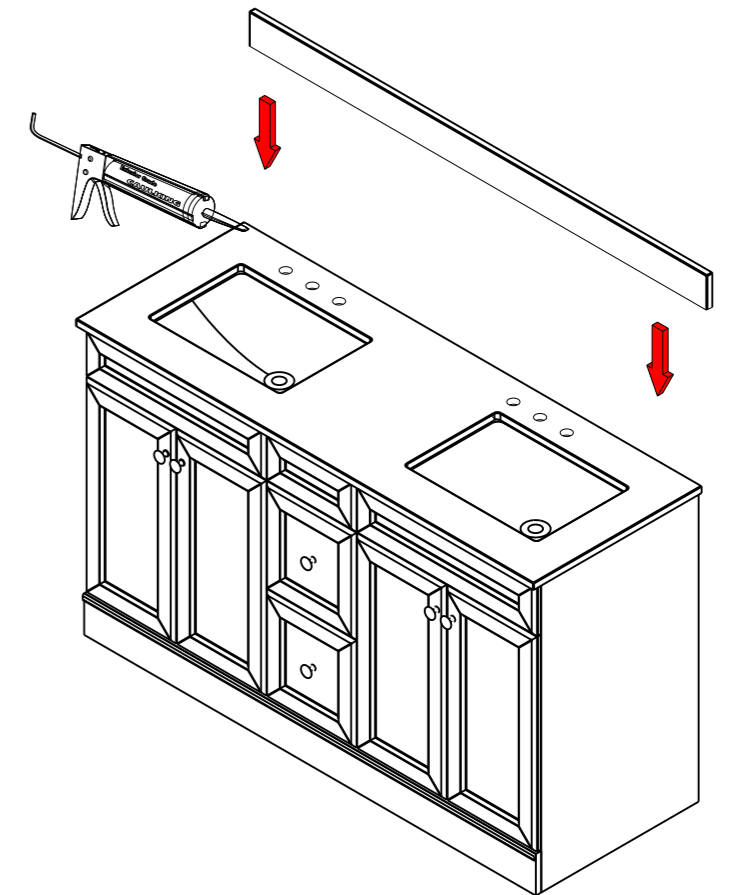
Apply adhesive around the top edges of the cabinet

STEP 1



Carefully place the top over the cabinet

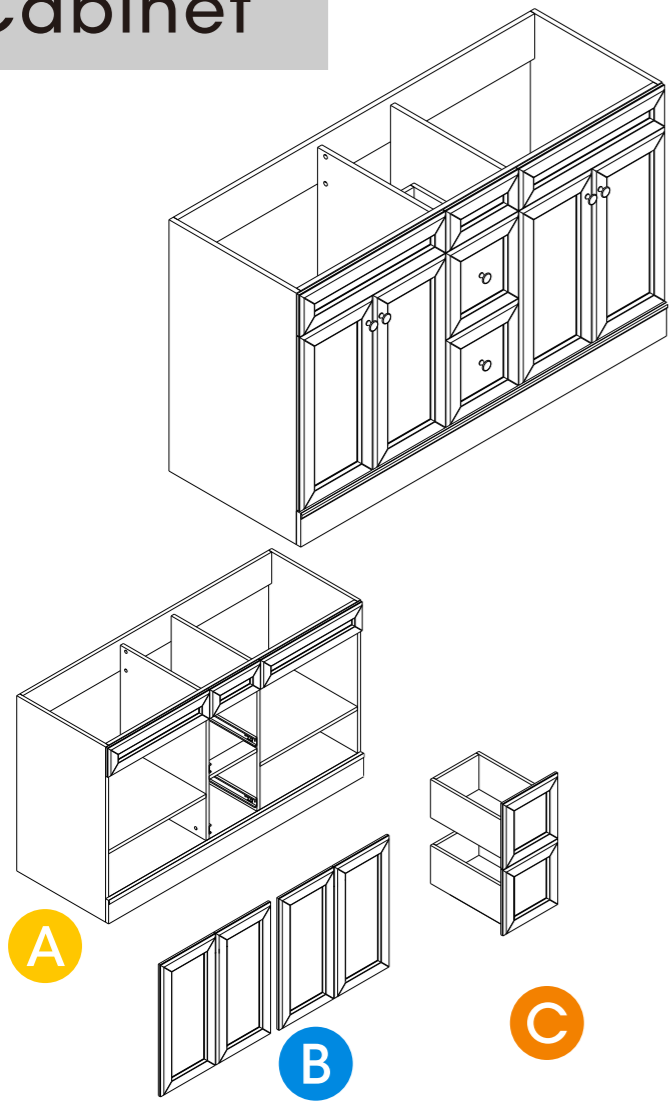
STEP 2



Align and center

STEP 3

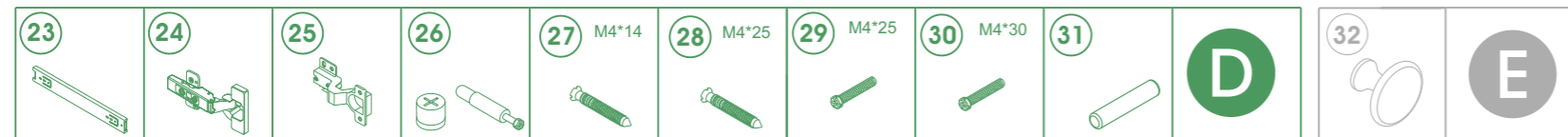
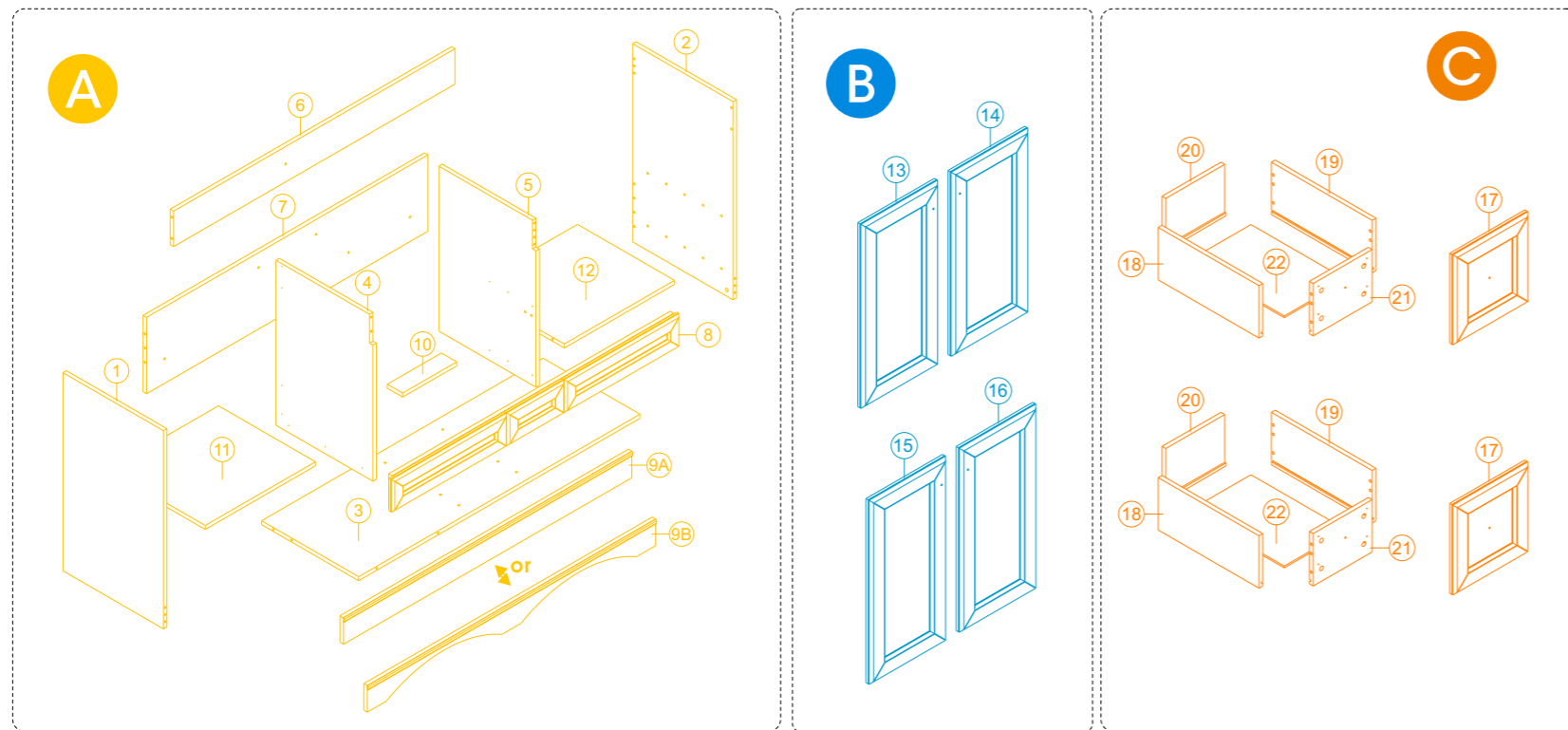
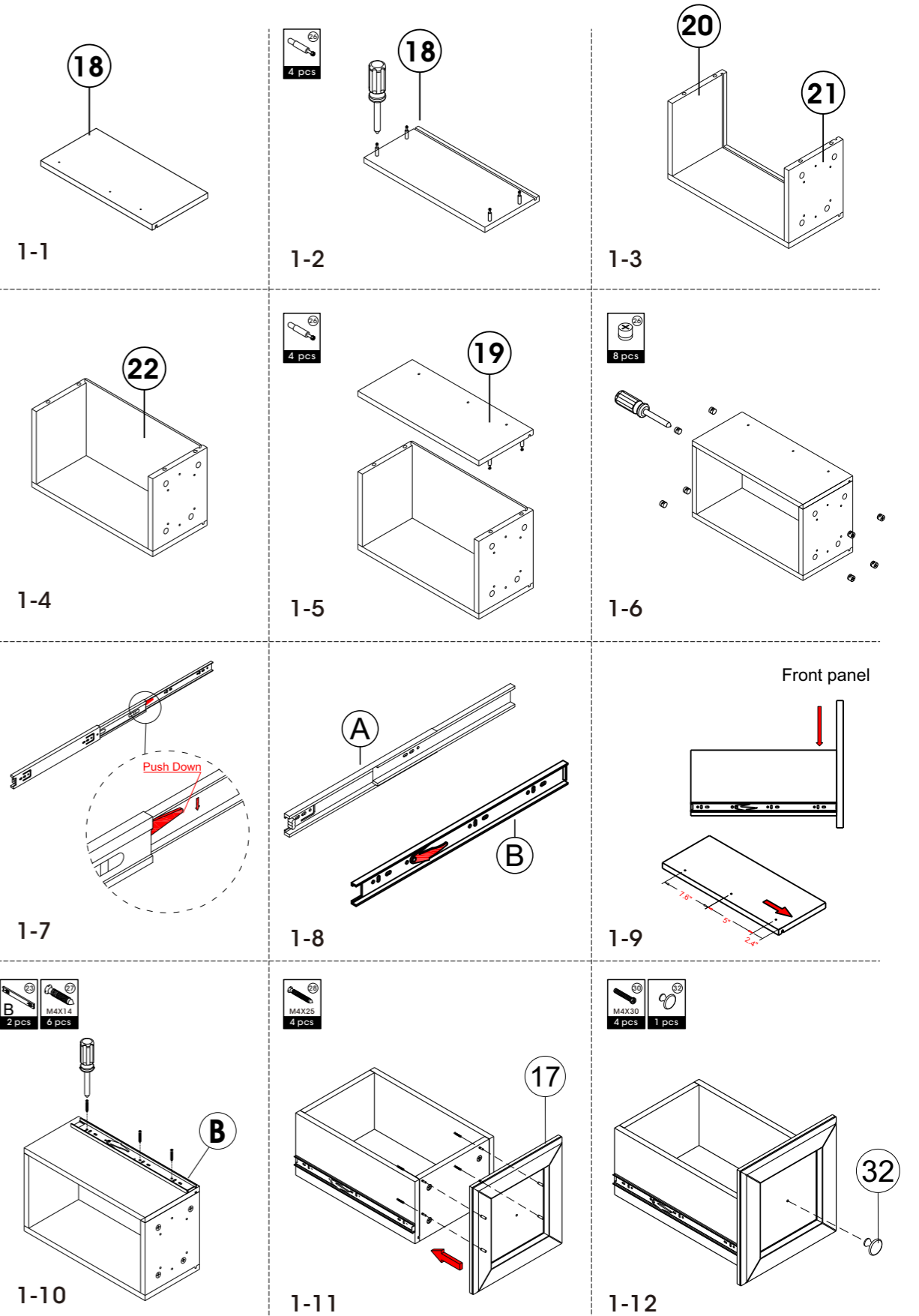
# Cabinet



PART	NO.	Description	Quantity	Size	
A	Cabinet Frame	1	Left Side Board	1	35"×21"×0.71"
		2	Right Side Board	1	35"×21"×0.71"
		3	Bottom Board	1	57.8"×20.2"×0.71"
		4	Connect Board 1 (left)	1	29.3"×20.2"×0.71"
		5	Connect Board 2 (right)	1	29.3"×20.2"×0.71"
		6	Back Board 1	1	57.8"×6.3"×0.71"
		7	Back Board 2	1	57.8"×13.4"×0.71"
		8	False Drawer	1	59.2"×6.3"×1.5"
		9	Before Board	2	59.2"×4.5"×0.9"
		10	Connect Board 3	1	10.8"×3.2"×0.71"
		11	Fixed Shelf 1	1	22.6"×20.2"×0.71"
		12	Fixed Shelf 2	1	22.6"×20.2"×0.71"
B	Door	13	Door 1 (left)	1	24.6"×12"×0.82"
		14	Door 2 (right)	1	24.6"×12"×0.82"
		15	Door 3 (left)	1	24.6"×12"×0.82"
		16	Door 4 (right)	1	24.6"×12"×0.82"
C	Drawer	17	Drawer Front	2	12"×12.3"×0.82"
		18	Left Side Board For Drawer	2	12"×12.3"×0.82"
		19	Right Side Board For Drawer	2	15.8"×7.1"×0.6"
		20	Back Board For Drawer	2	15.8"×7.1"×0.6"
		21	Front Board For Drawer	2	8.5"×7.1"×0.6"
		22	Bottom Board For Drawer	2	8.5"×7.1"×0.6"
D	Install fittings	23	Drawer Glides	4	15"×8.9"×0.2"
		24	Hinge 1 (door)	4	15.7"×1.7"×0.5"
		25	Hinge 2 (door)	4	3.9"×2.4"×1.54"
		26	Three-in-one Connector	91	∅0.57"×0.46"
		27	Drawer Glide Screws	76	M4×14
		28	False Drawer Screws	8	M4×25
		29	Knob Screws	4	M4×25
		30	Handle Screws	2	M4×30
		31	Wood Plug	50	∅0.31"×1.18"
		E	Knob	6	∅1.15"×1"

## INSTALLATION STEPS

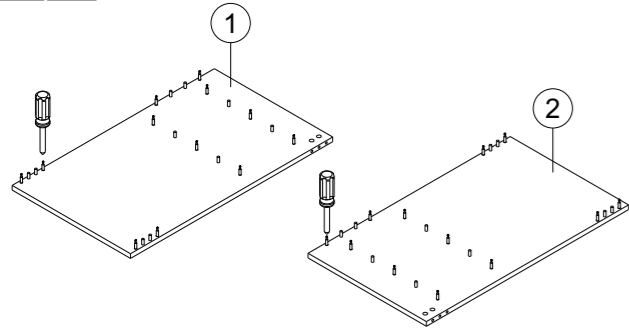
### STEP 1 | Drawer



# INSTALLATION STEPS

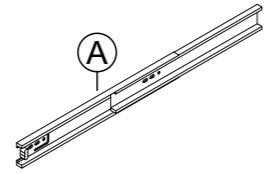
## STEP 2 Cabinet frame

24 pcs  
20 pcs



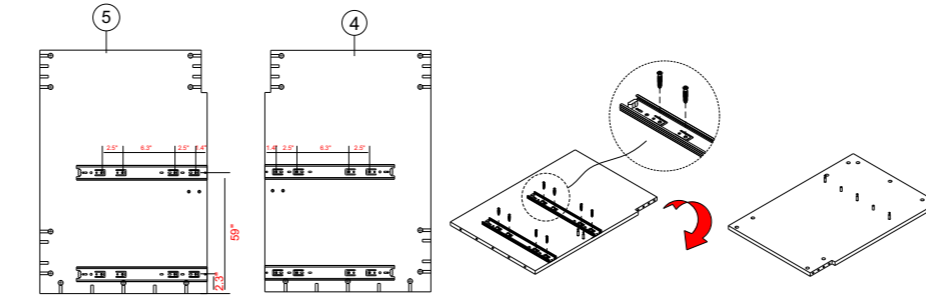
2-1

Connect Board 1 1-7/1-8



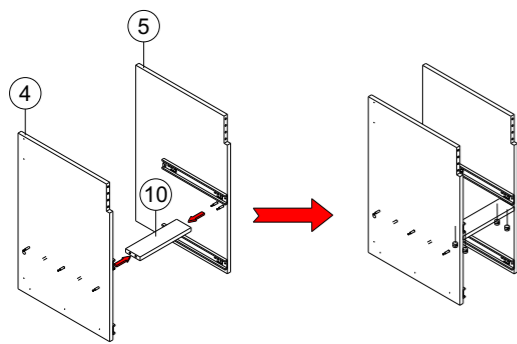
2-2

10 pcs  
4 pcs  
10 pcs  
4 pcs



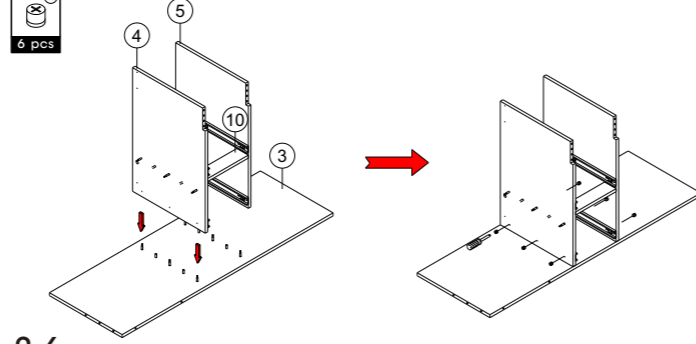
2-3

6 pcs



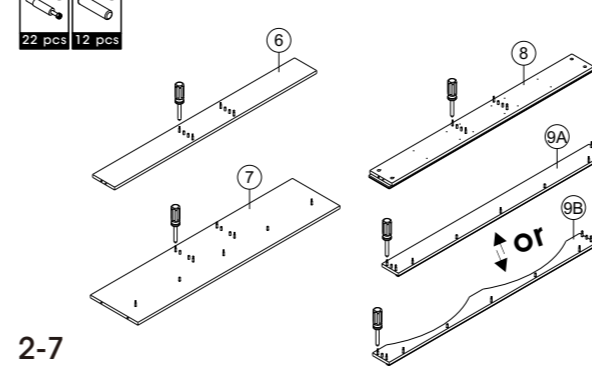
2-5

6 pcs



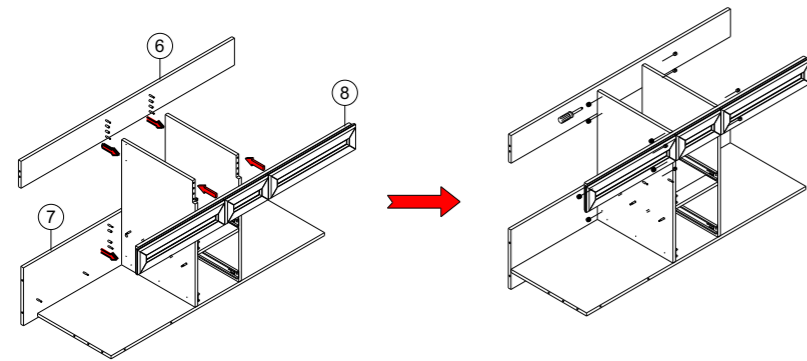
2-6

22 pcs  
12 pcs



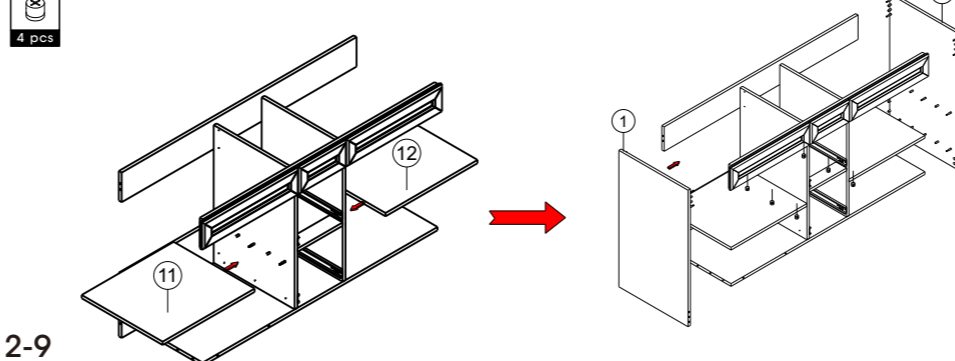
2-7

12 pcs



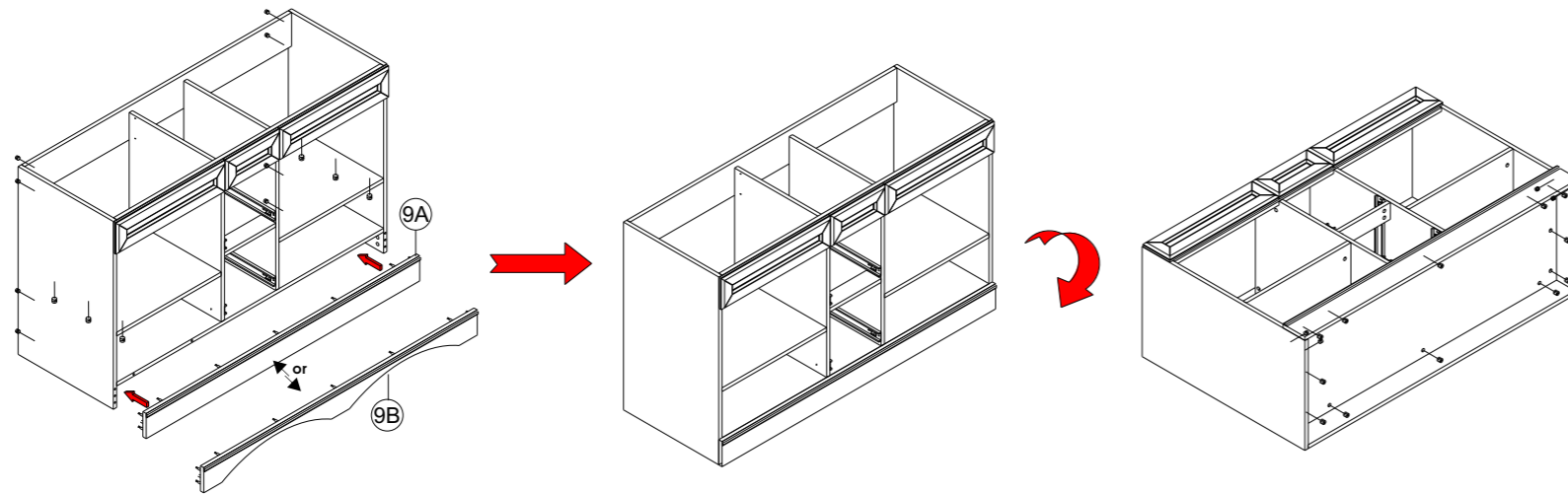
2-8

4 pcs



2-9

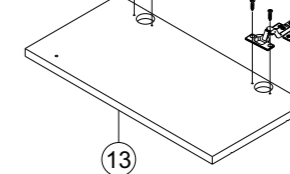
16 pcs



2-10

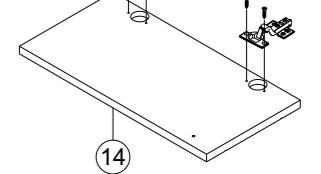
## STEP 3 Door

2 pcs  
4 pcs



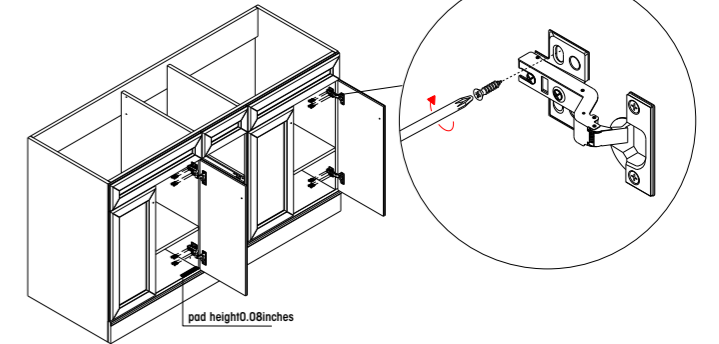
3-1

2 pcs  
4 pcs



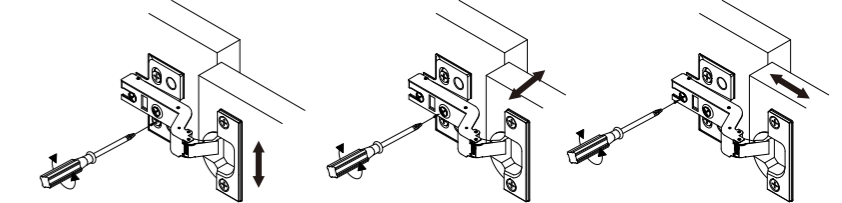
3-2

M4x14  
24 pcs



3-3

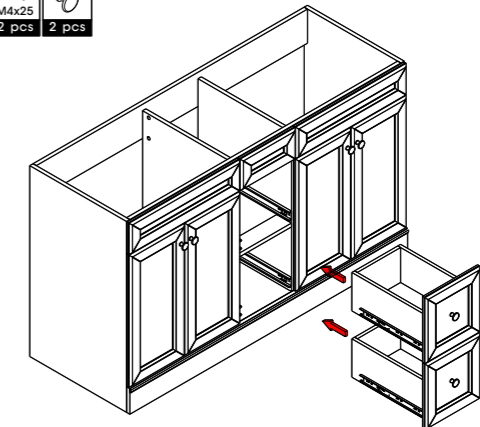
### Hinges adjustment



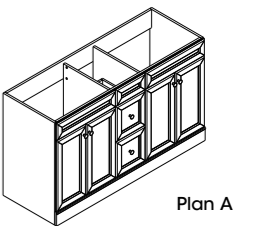
3-4

## STEP 4 Drawer and Finish

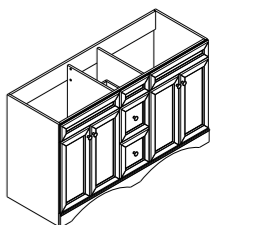
M4x25  
2 pcs  
2 pcs



4-1



Plan A



Plan B