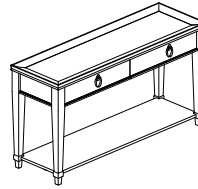


# ASSEMBLY INSTRUCTIONS

## SOFA TABLE



### TOOLS REQUIRED:

Allen Wrench (supplied, Part # D)  
Screw Driver (Not Supplied)

### BEFORE YOU START:

1. Check the Hardware against the Hardware list to make sure all items are present.
2. Assemble your furniture on a soft, flat surface to avoid scratching the finish.
3. **CAUTION:** Do not over tighten screws, nuts or bolts during assembly.
4. Your furniture may require occasional tightening.

### INSTRUCTIONS:

1. Remove the drawer of the table by fully extending it until the black levers are visible on the inside of the metal drawer guide. Release the drawer by pushing one lever up and the other down, then turn the Nightstand upside down on a clean soft surface.

2. Attach the leg to the table top using bolts (A), lock washers (B) and flat washer (C), tighten with the wrench (D). As show Fig. 1 . Repeat for other legs but leave bolts loose for shelf attachment.

3. Attach the wood shelf to each leg using screw (E).  
As show Fig. 2

(Noted: Make sure the counter weight is always on the back side of the shelf after assembly of the shelf. So following the direction of the label on the shelf and top when assemble the shelf.)

4. Tighten all bolts before using the table.

5. Re-install the drawer box into metal drawer guide.

Figure 1

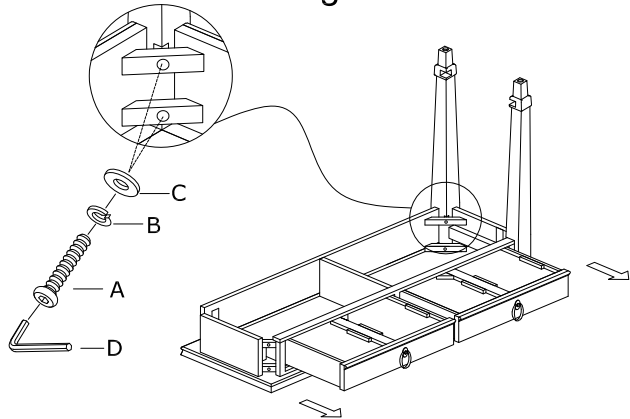
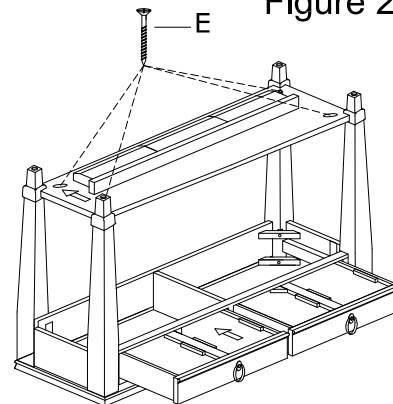



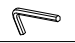



Figure 2



### HARDWARE LIST

NO.	Drawing	Description	Q'TY
A		Allen Bolt ( #5/16 "x2-1/4 " )	8pcs
B		5/16" Spring Washer	8pcs
C		5/16"*3/4 Flat Washer	8pcs
D		5mm Wrench	1pc
E		Ø8*1-1/4" SCREW	4pcs