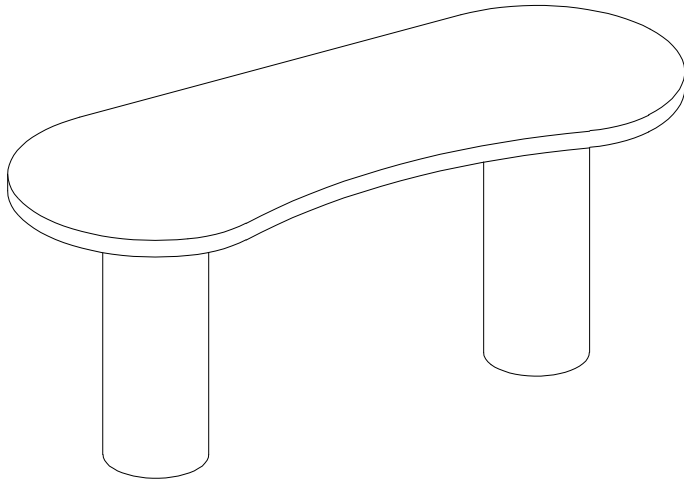



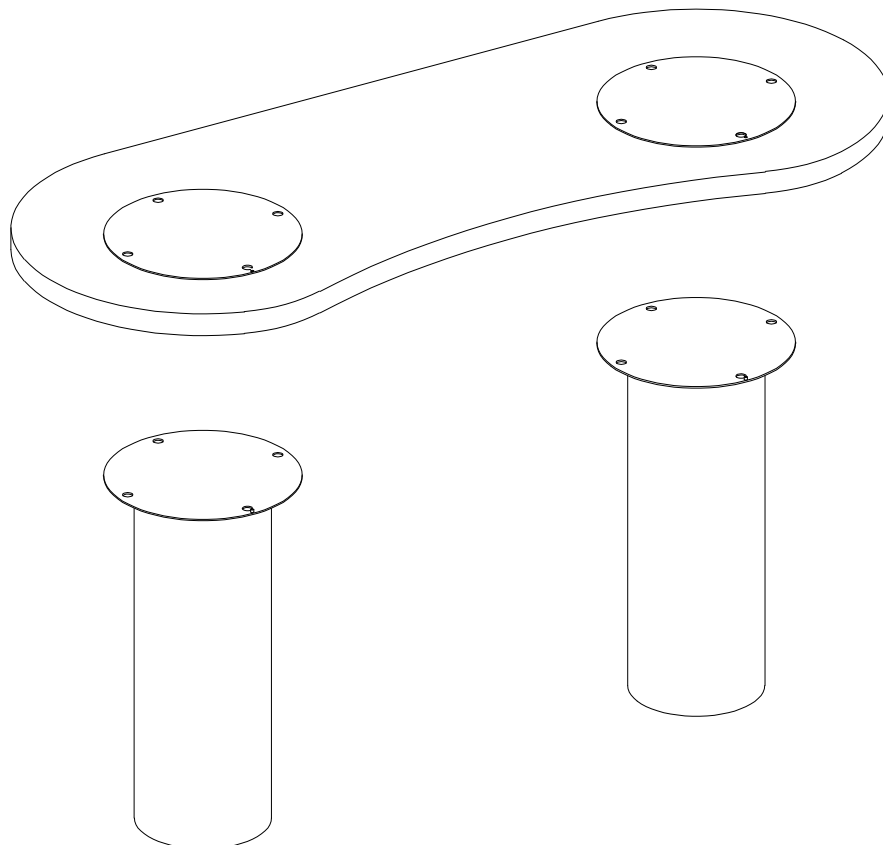


# ASSEMBLY INSTRUCTIONS FOR PONCE DESK

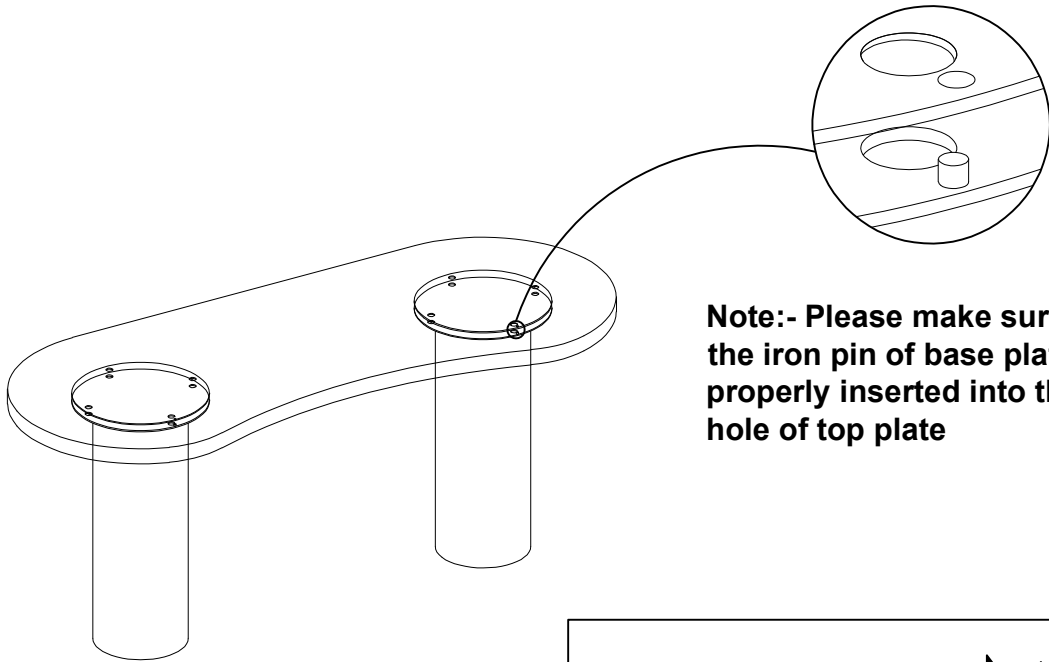


Hardware List				
A		Allen bolt	8x20mm	4
B		Flat washer	M10	4
C		Allen key	5mm	1

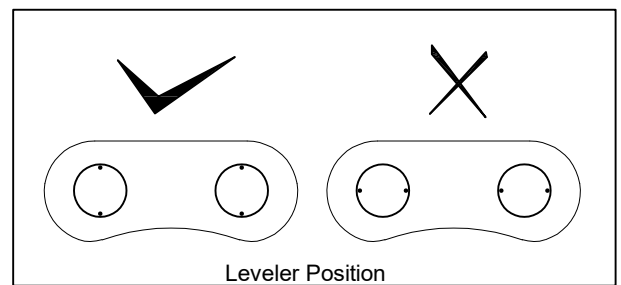
## Step-1



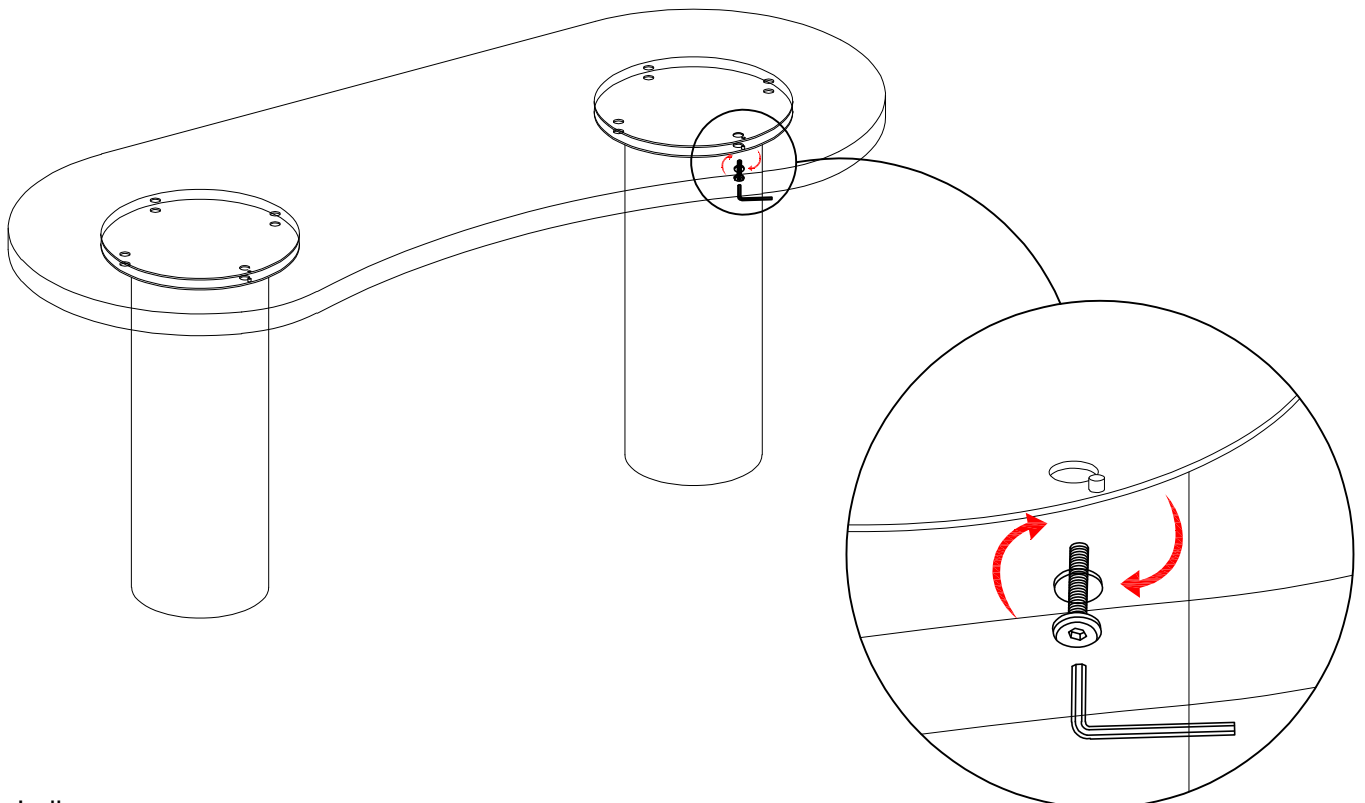
## Step-2



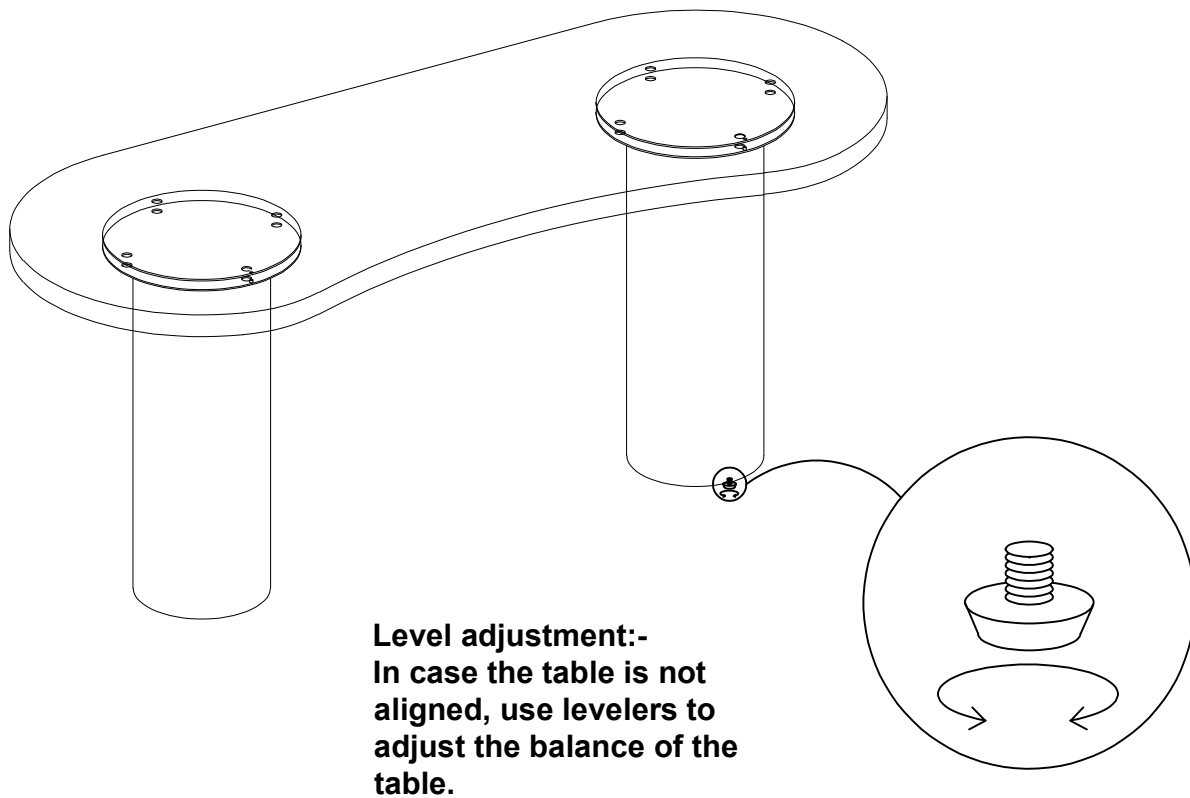
**Note:- Please make sure that the iron pin of base plate properly inserted into the hole of top plate**



## Step-3



## Step-4



## Final

