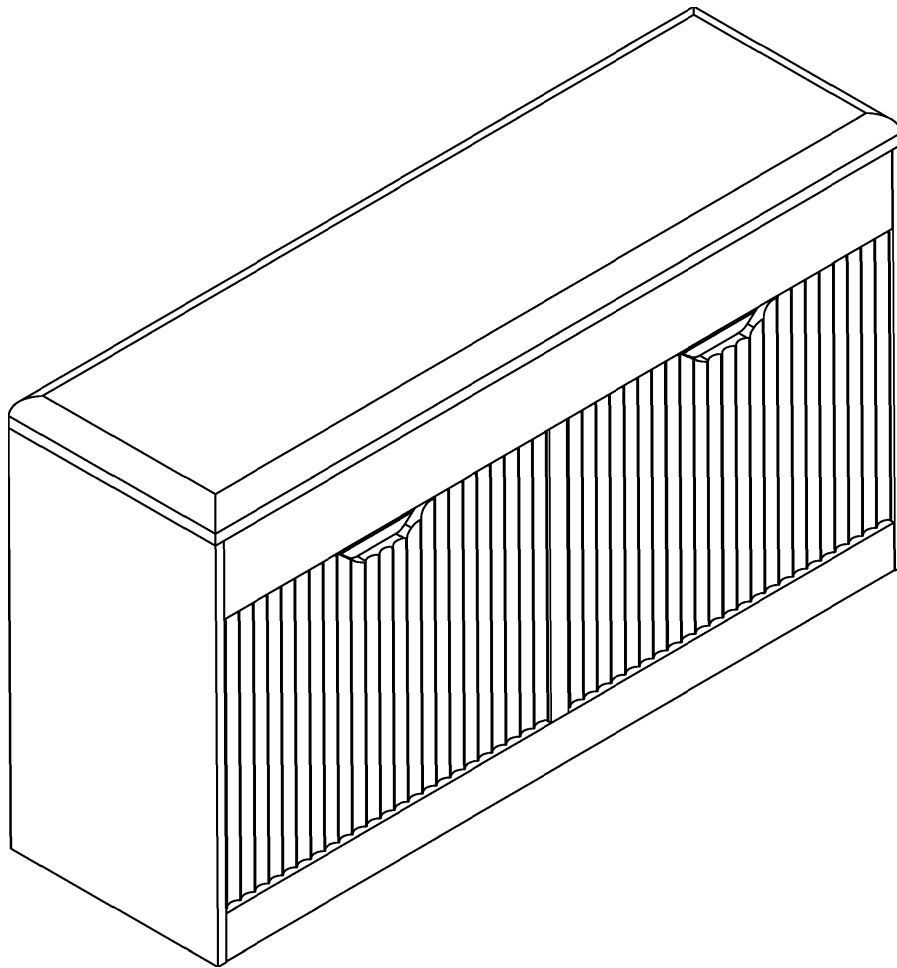
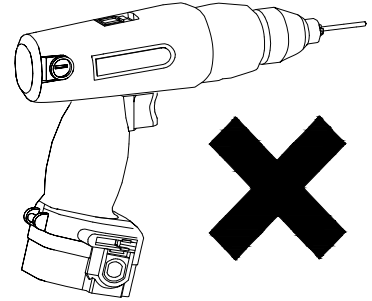
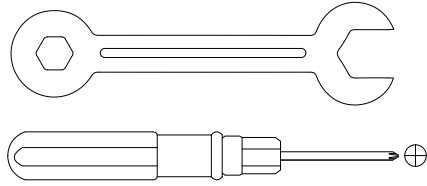
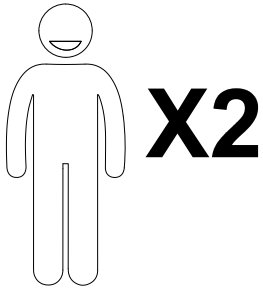


# Assembly Instructions

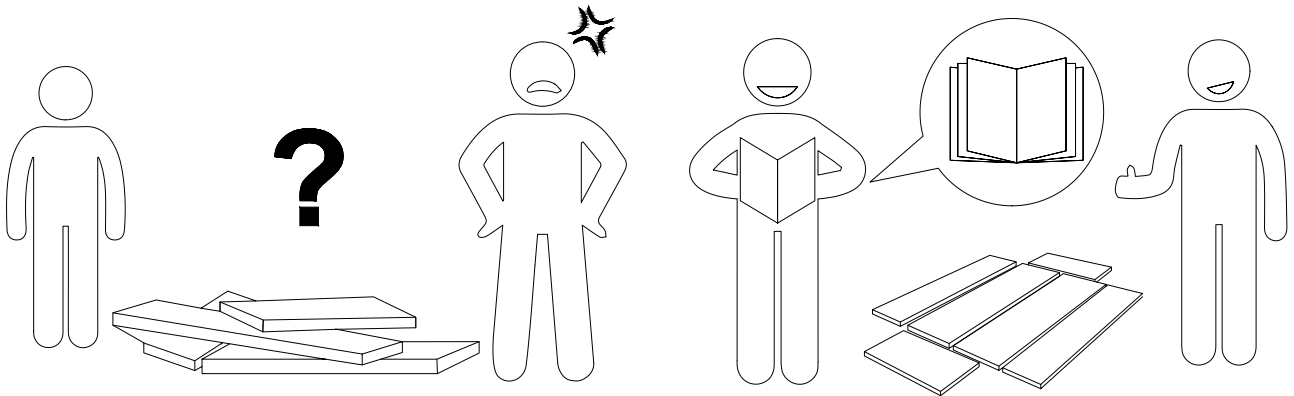
## Shoe bench





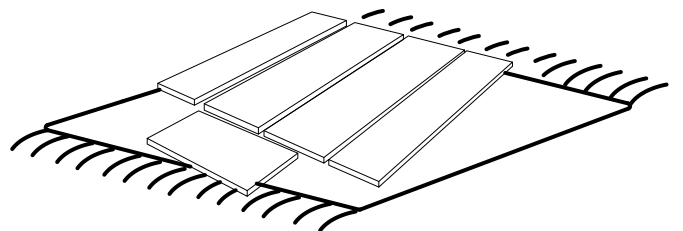
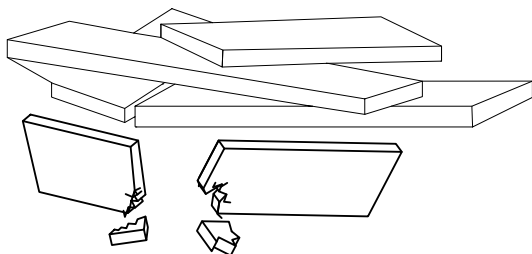
We recommend using hand tools for assembly.

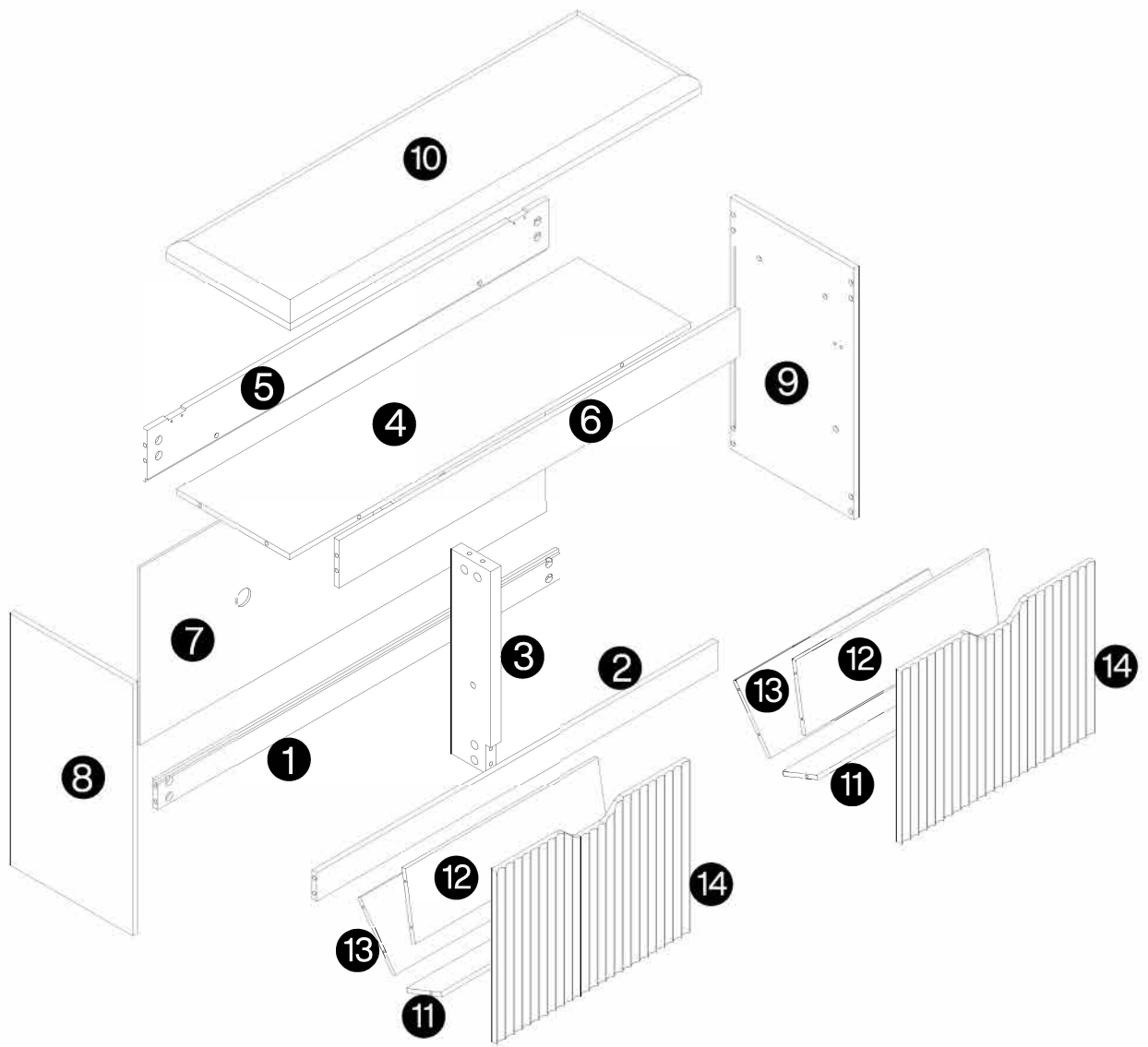
If an electric screwdriver is used, reduce power and torque to avoid damage to the product.



## AVOID SCRATCHES

In order to avoid scratching this furniture should be assembled on a soft layer-could be a rug.

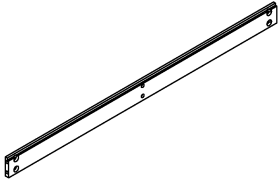
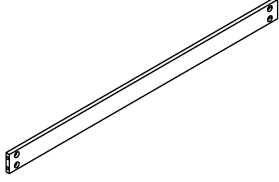
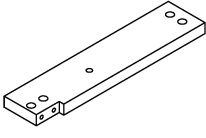
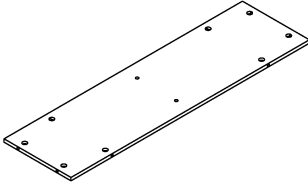
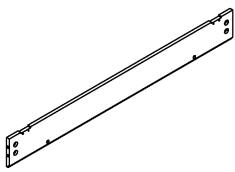
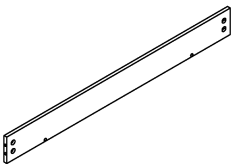
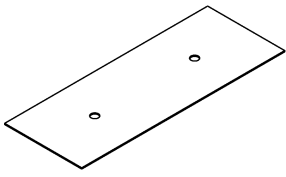
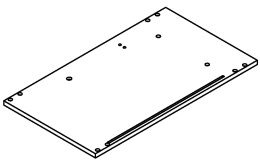
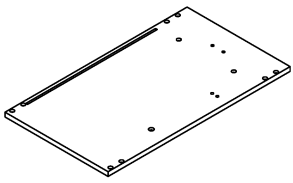
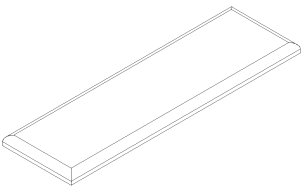
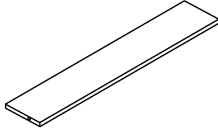
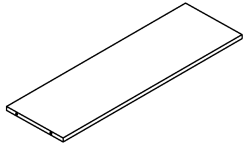
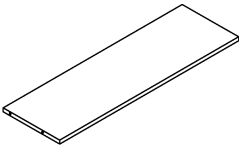
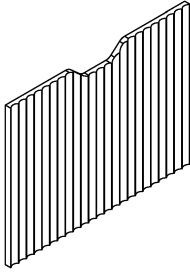




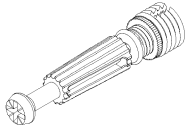
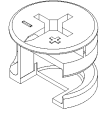
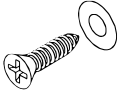


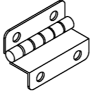
**⚠ Caution**




Ensure that all pieces are included. Most panels are labeled or marked along the edges of the material. If you encounter any damaged or missing parts, please contact us for a free replacement.

# Parts List

<p><b>1</b></p>  <p>1 pc</p>	<p><b>2</b></p>  <p>1 pc</p>	<p><b>3</b></p>  <p>1 pc</p>	<p><b>4</b></p>  <p>1 pc</p>
<p><b>5</b></p>  <p>1 pc</p>	<p><b>6</b></p>  <p>1 pc</p>	<p><b>7</b></p>  <p>1 pc</p>	<p><b>8</b></p>  <p>1 pc</p>
<p><b>9</b></p>  <p>1 pc</p>	<p><b>10</b></p>  <p>1 pc</p>	<p><b>11</b></p>  <p>2 pcs</p>	<p><b>12</b></p>  <p>2 pcs</p>
<p><b>13</b></p>  <p>2 pcs</p>	<p><b>14</b></p>  <p>2 pcs</p>		

# Hardware List

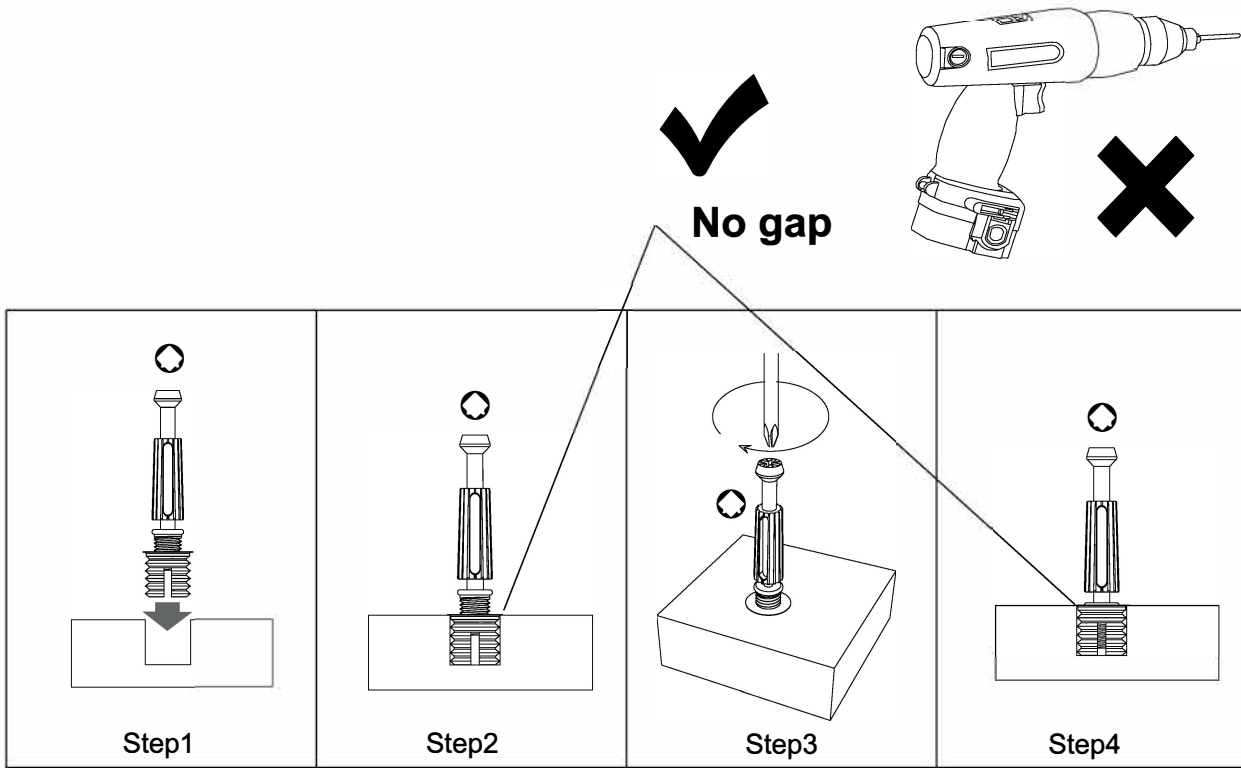
A	B	C	D	E	F
 <p>M6x40mm</p>	 <p>Ø12x10mm</p>	 <p>Ø3.5x10mm</p>	 <p>1 pc</p>	 <p>2 pcs</p>	 <p>2pcs</p>
28 pcs	28 pcs	52 pcs	1 pc	2 pcs	2pcs

G	H	I	J	K	L
 <p>6 pc</p>	 <p>1 pc</p>	 <p>1 pc</p>			
6 pc	1 pc	1 pc			

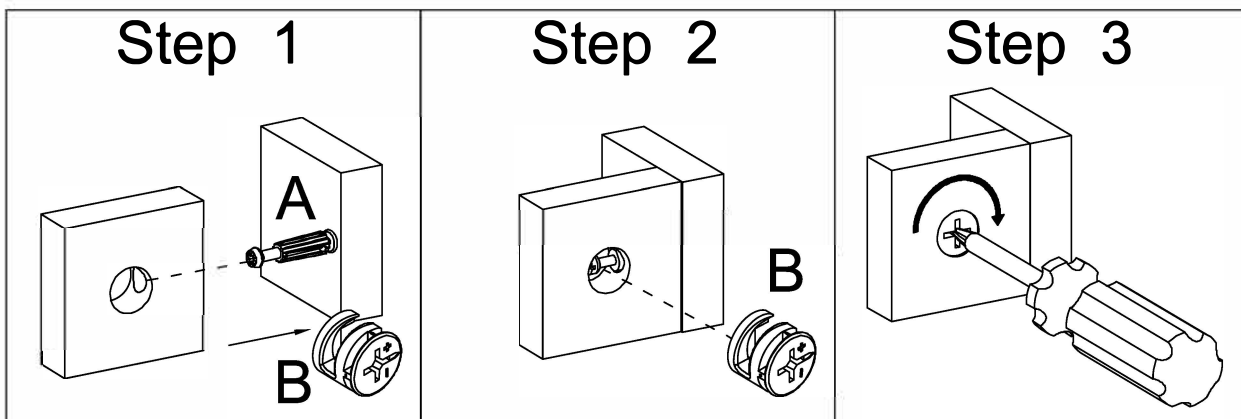


## Installation of Cams and Pins

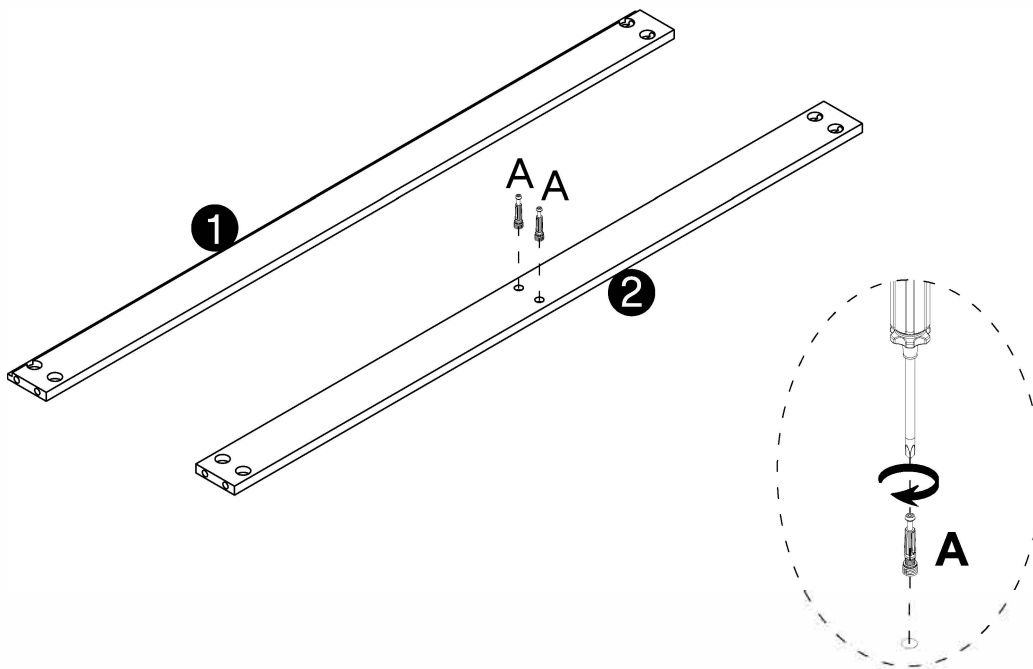
Read each step carefully before starting. Each step of instruction should be performed in the correct order. If these steps are not followed in sequence, assembly difficulties may occur.




Screw the pin into the hole. Set the cams correctly by aligning the head of the cams with the lock pins. Lock the cam by turning the cam head with a screwdriver until it is tightened. Please do not use an electric screwdriver to assemble the unit.

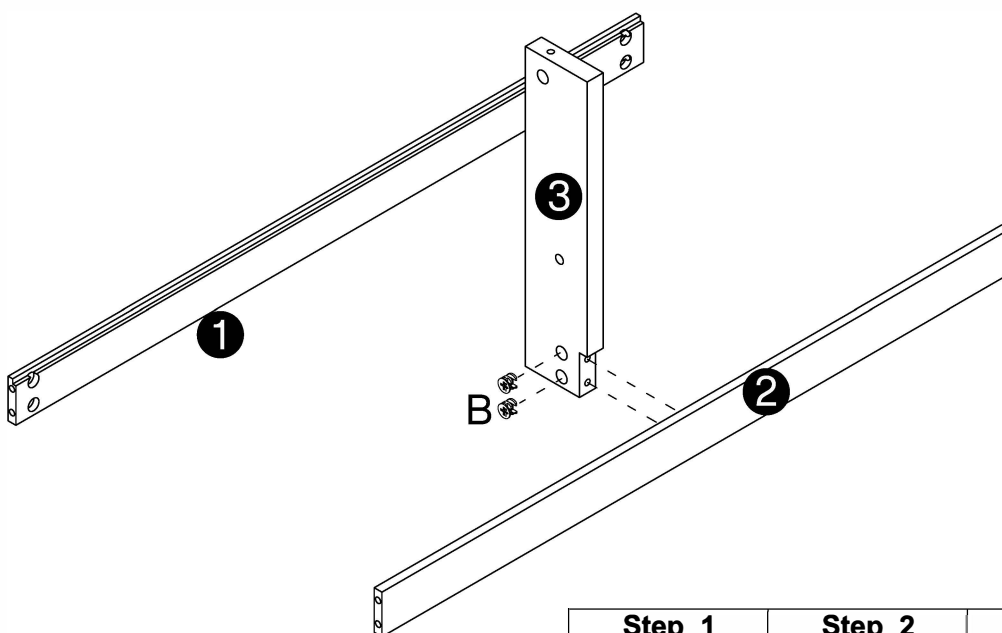


**1**



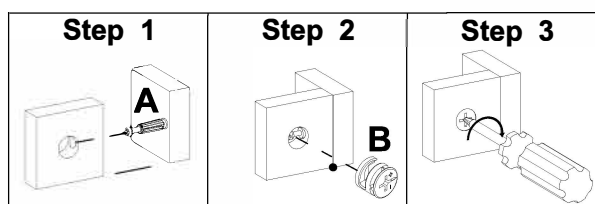
<b>A</b>

M6X40mm
2 pcs

**2**

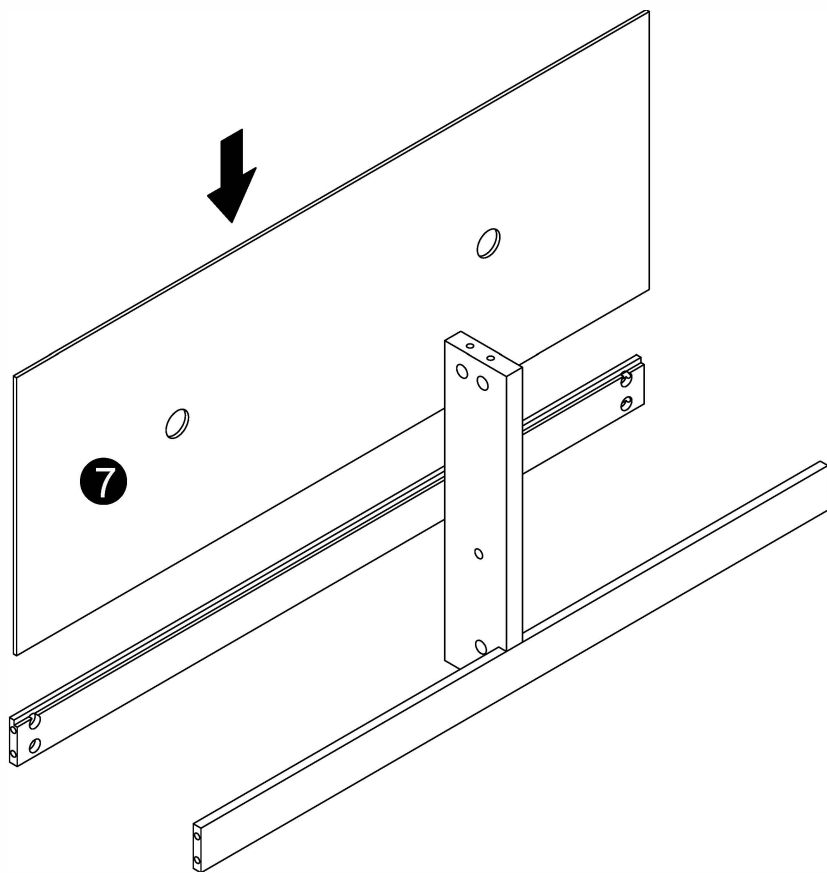


<b>B</b>

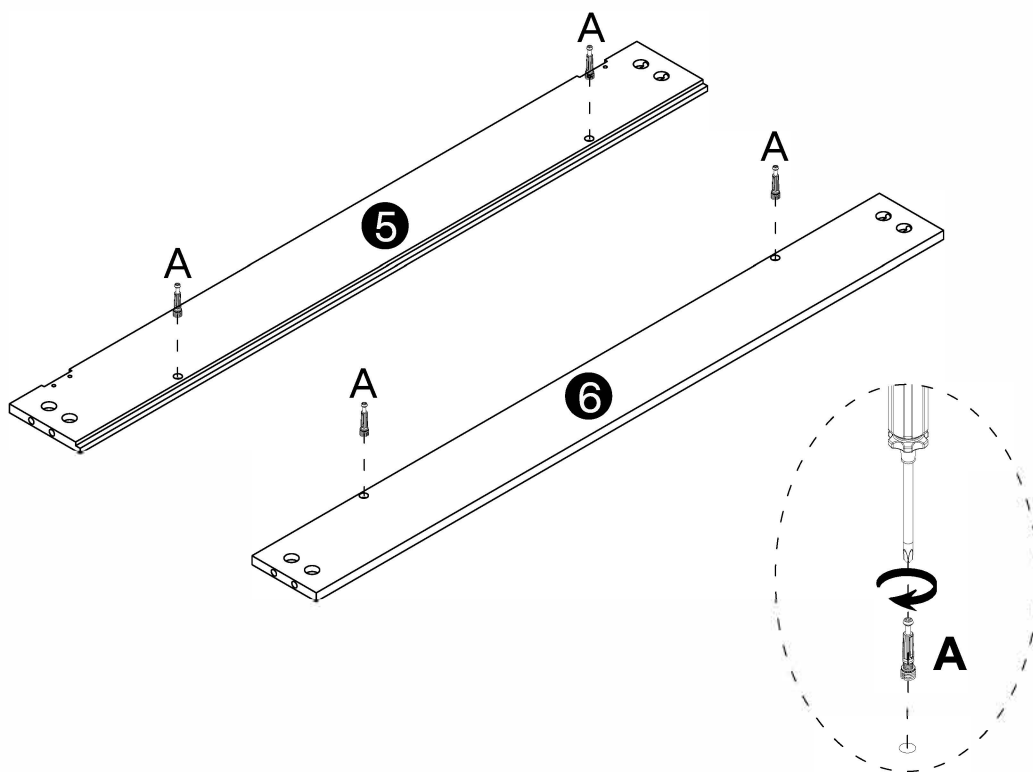
Ø12x10mm
2 pcs



**3**



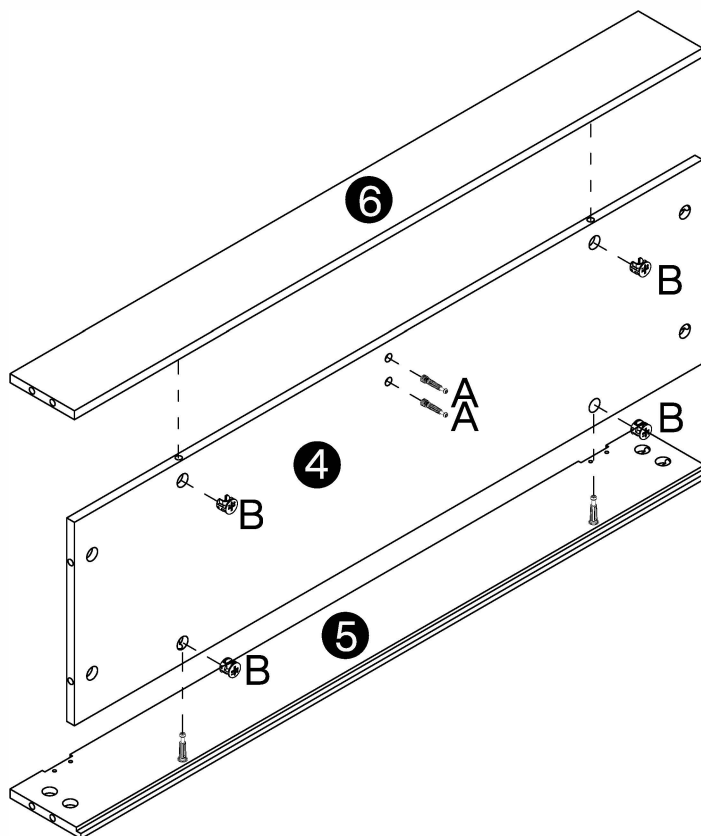
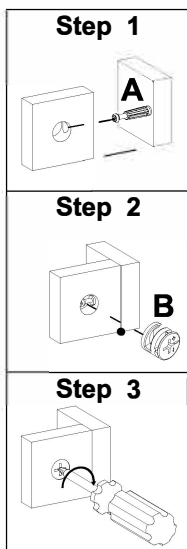
**4**





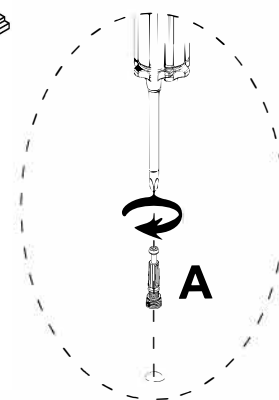
<b>A</b>

M6X40mm
4 pcs

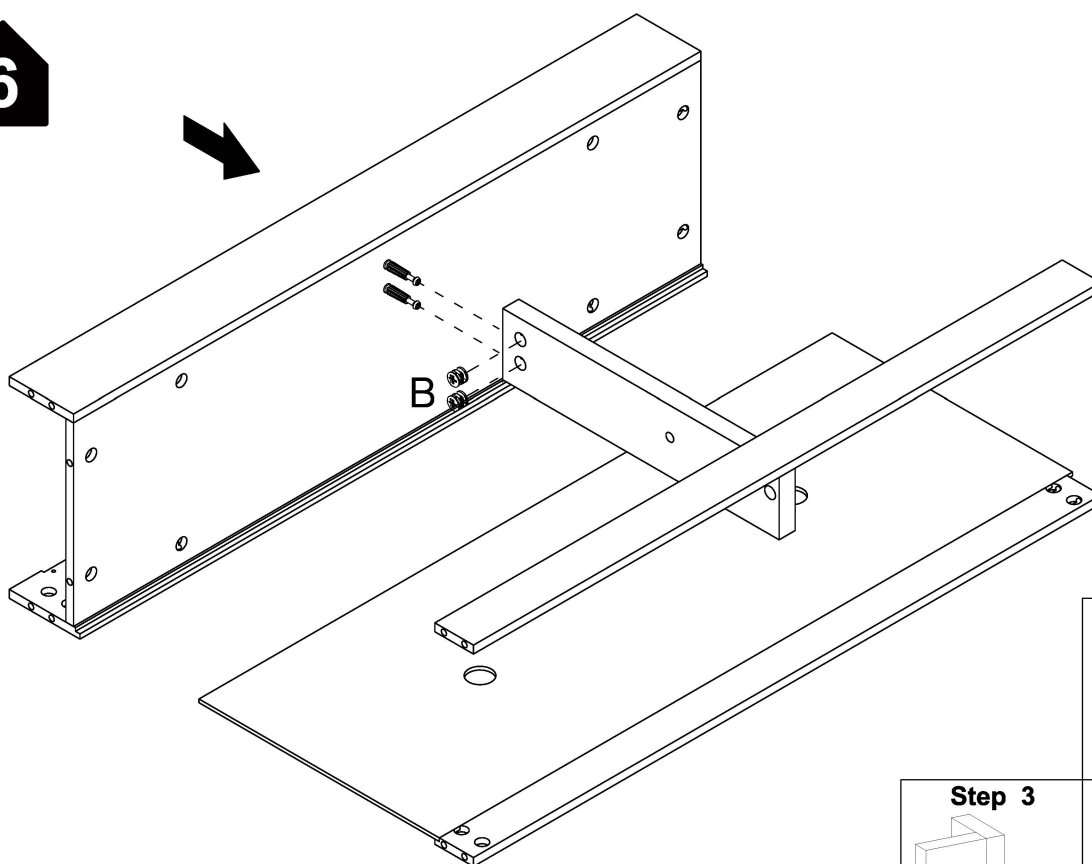
# 5




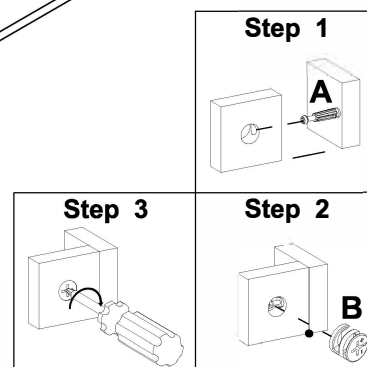
B	A
	
Ø12x10mm	M6X40mm
4 pcs	2 pcs



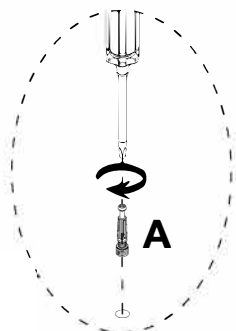
# 6




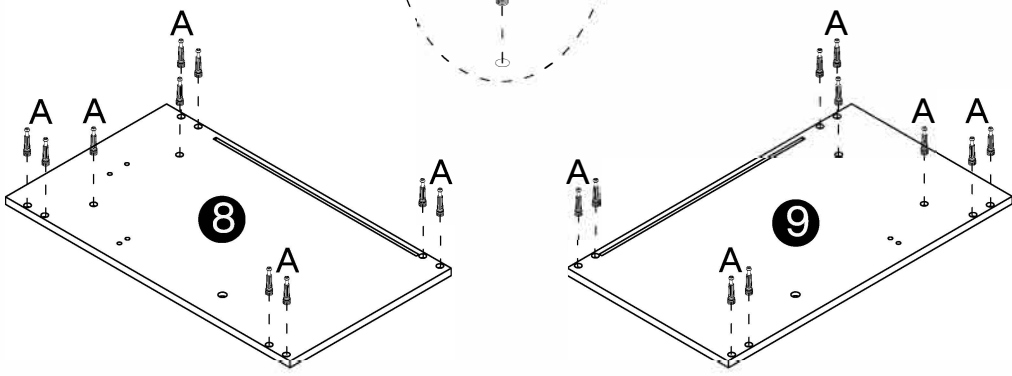
B

Ø12x10mm
2 pcs




7

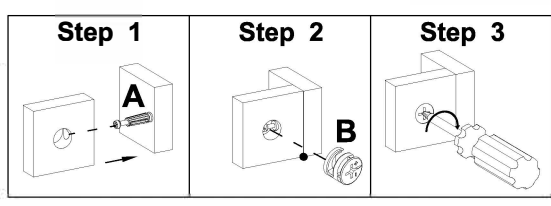
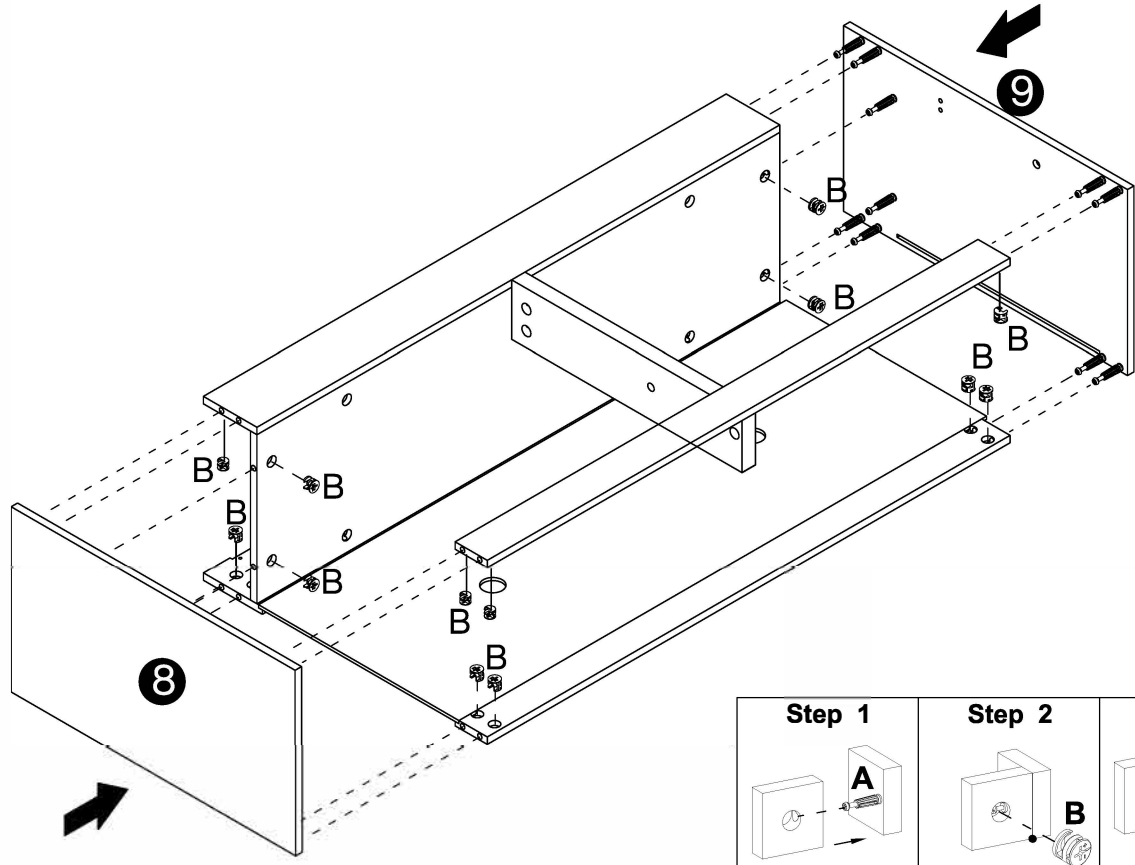


<b>A</b>

M6X40mm
20 pcs

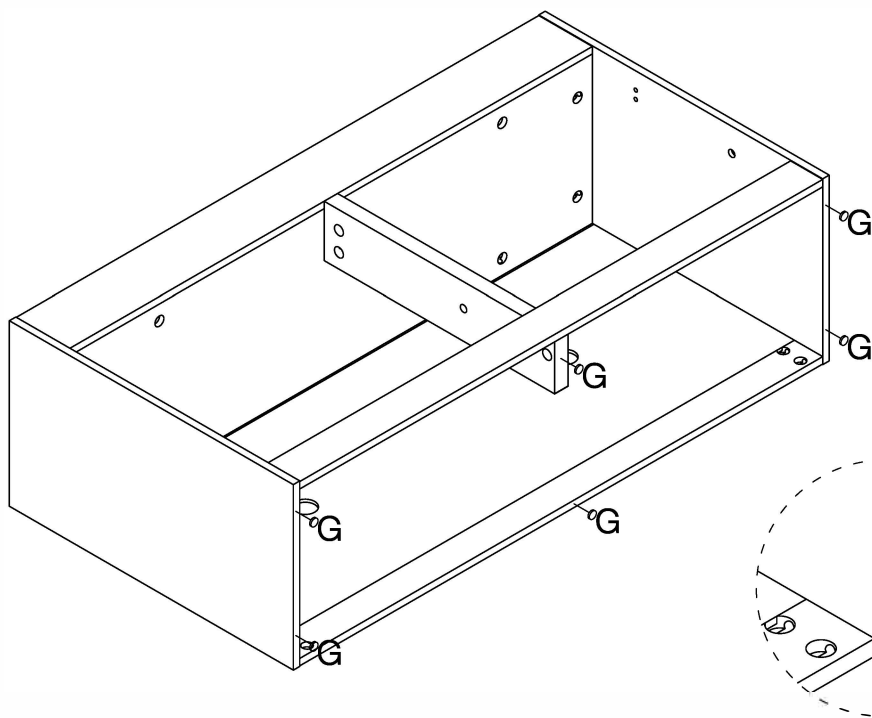


8

<b>B</b>

Ø12x10mm
20 pcs

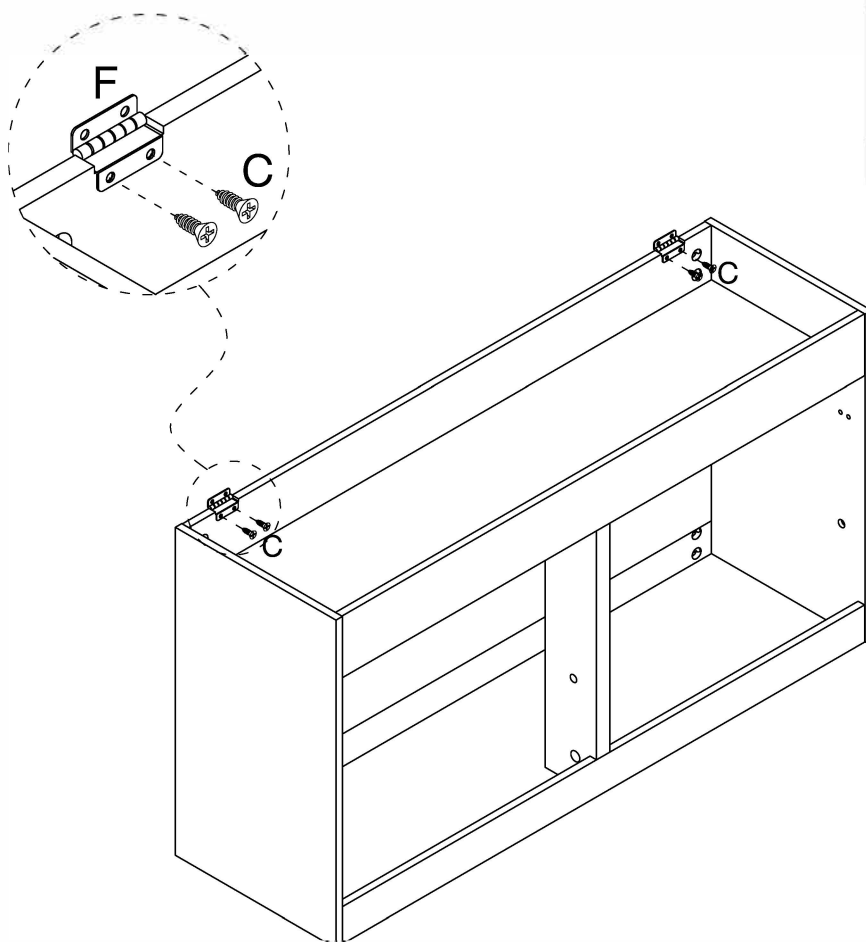


9



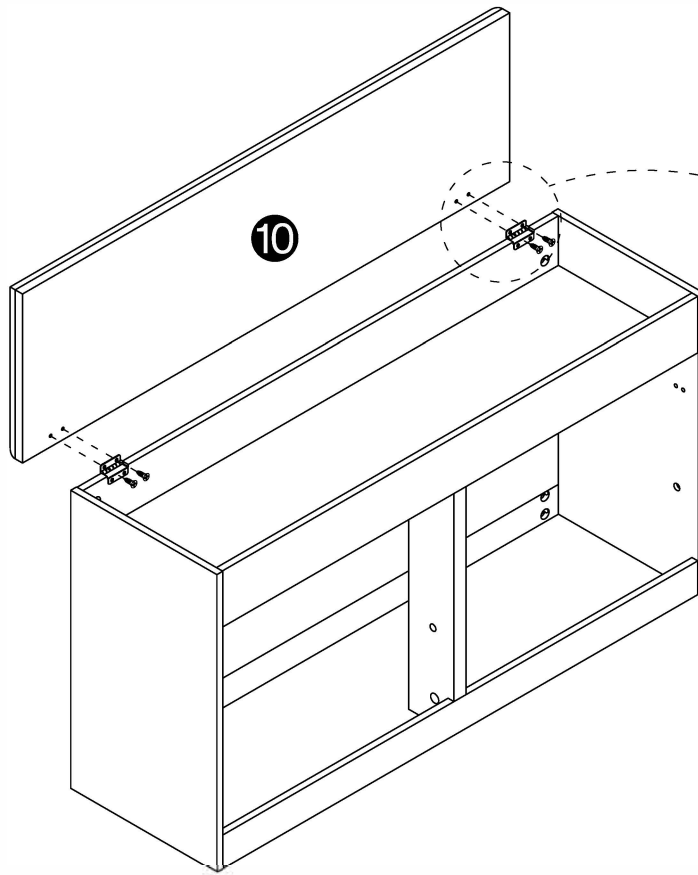
<b>G</b>
6 pcs


10

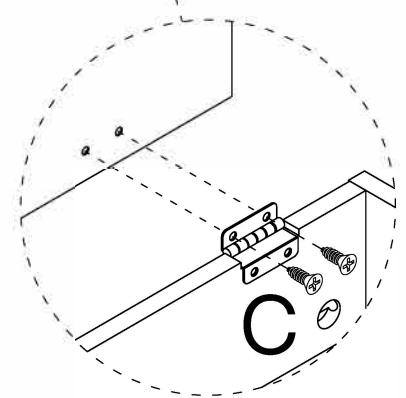


<b>F</b>	<b>C</b>
2 pcs	Ø3.5x10mm 4 pcs

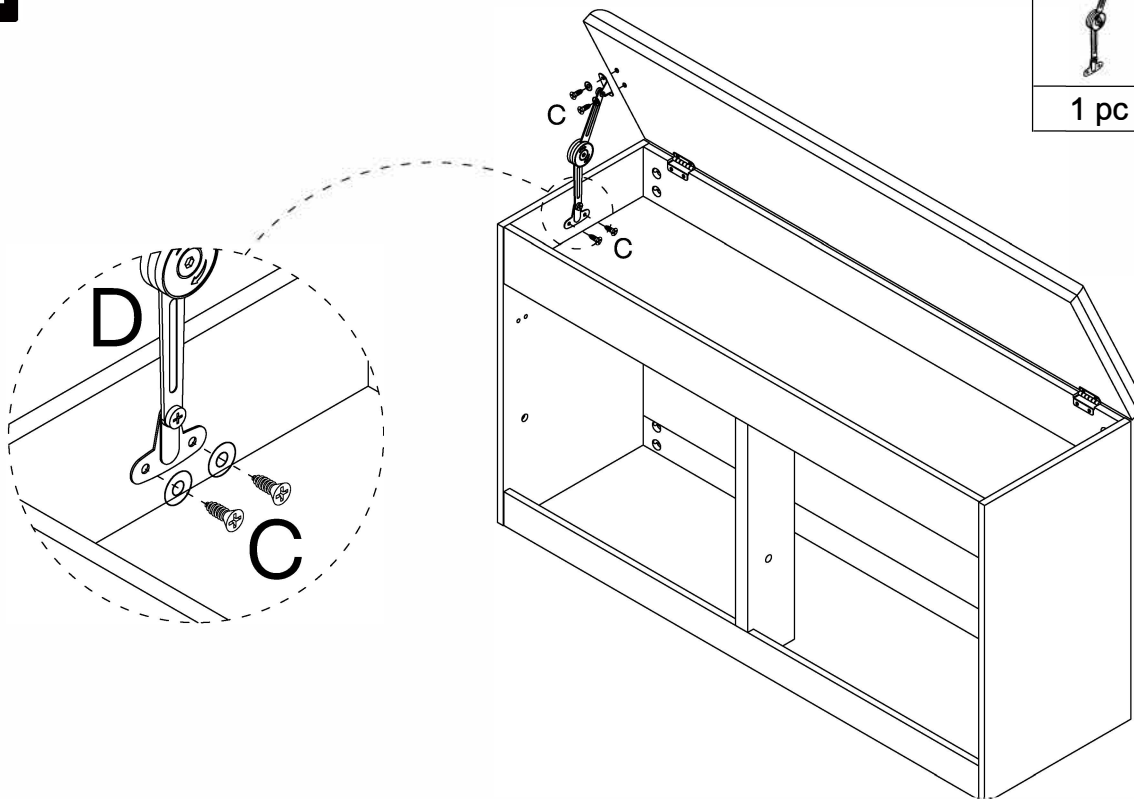
11





<b>C</b>

Ø3.5x10mm
4 pcs

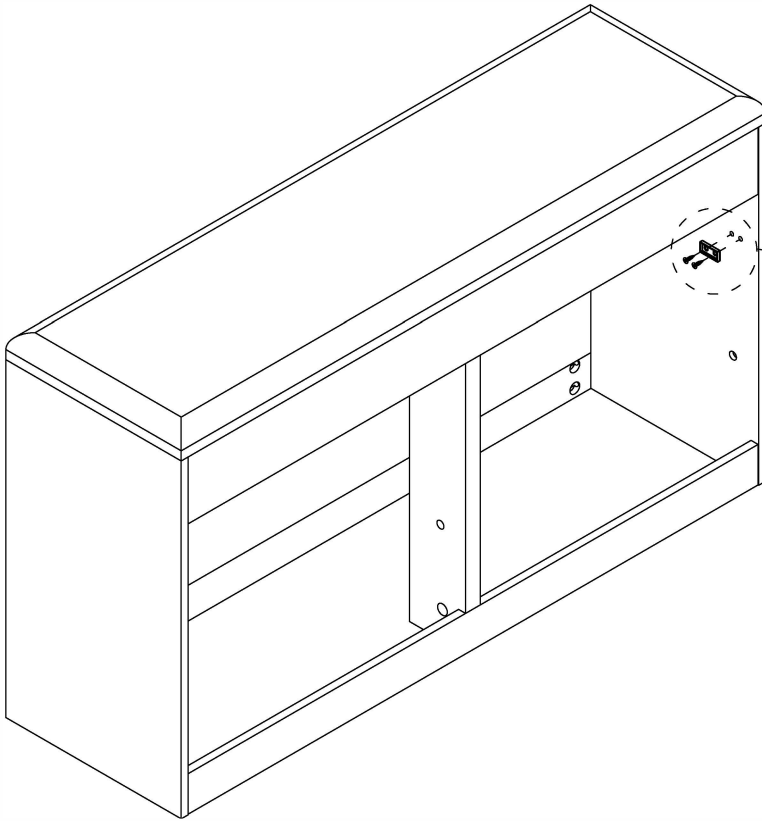



12

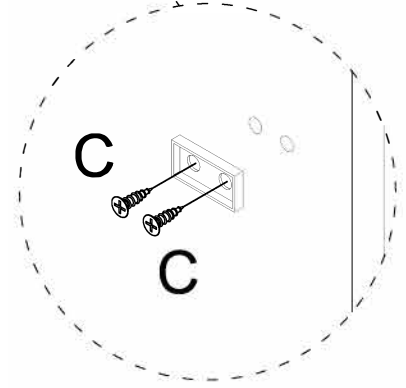


<b>D</b>	<b>C</b>
	
1 pc	Ø3.5x10mm
	4 pcs

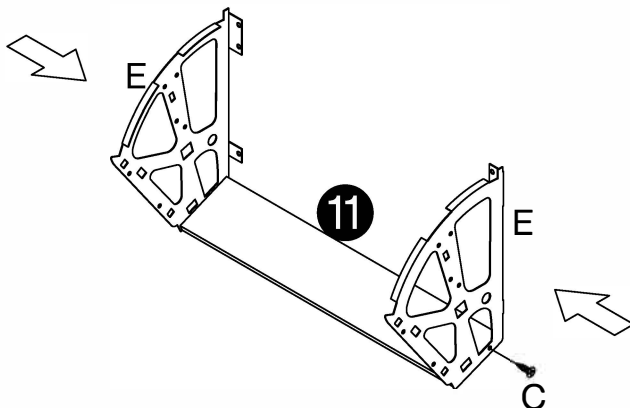
**13**





<b>C</b>

Ø3.5x10mm
8 pcs

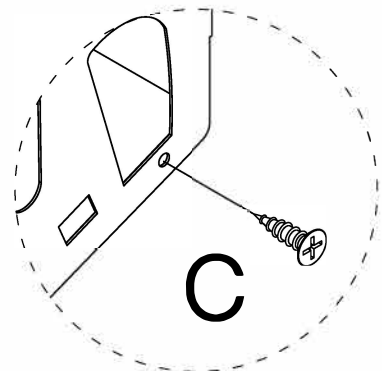


**14**

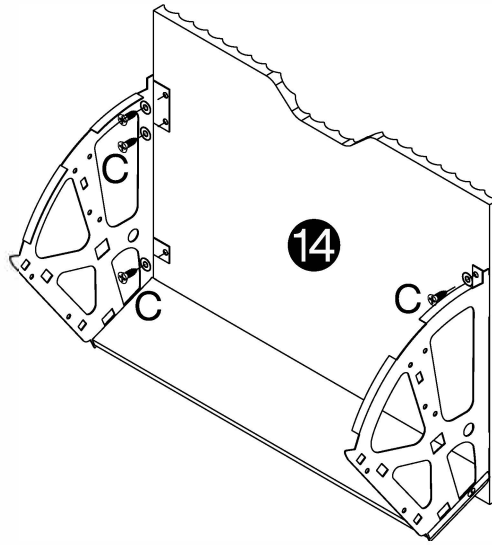
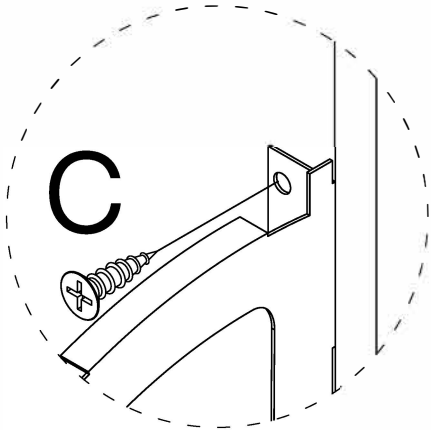


**x2**


<b>C</b>	<b>E</b>
	
Ø3.5x10mm	
4 pcs	2 pcs



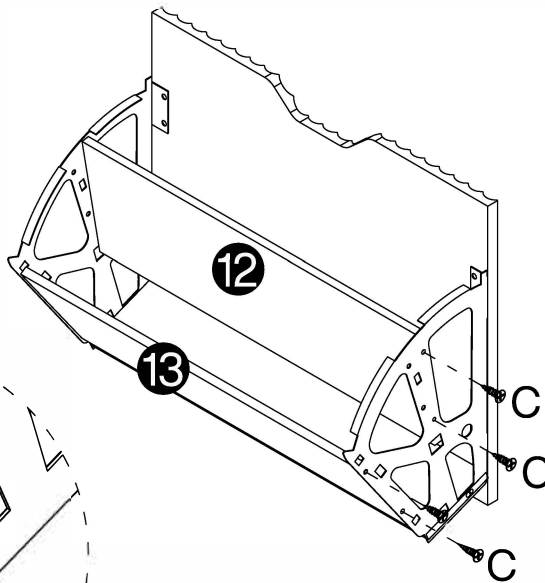
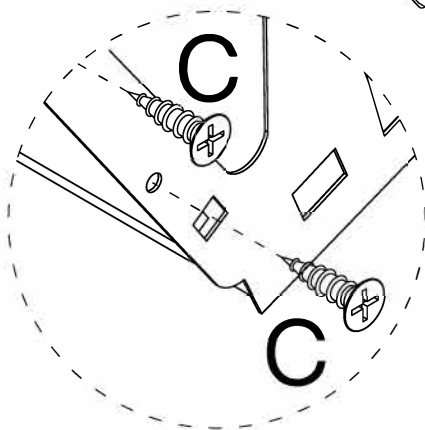
15




x2

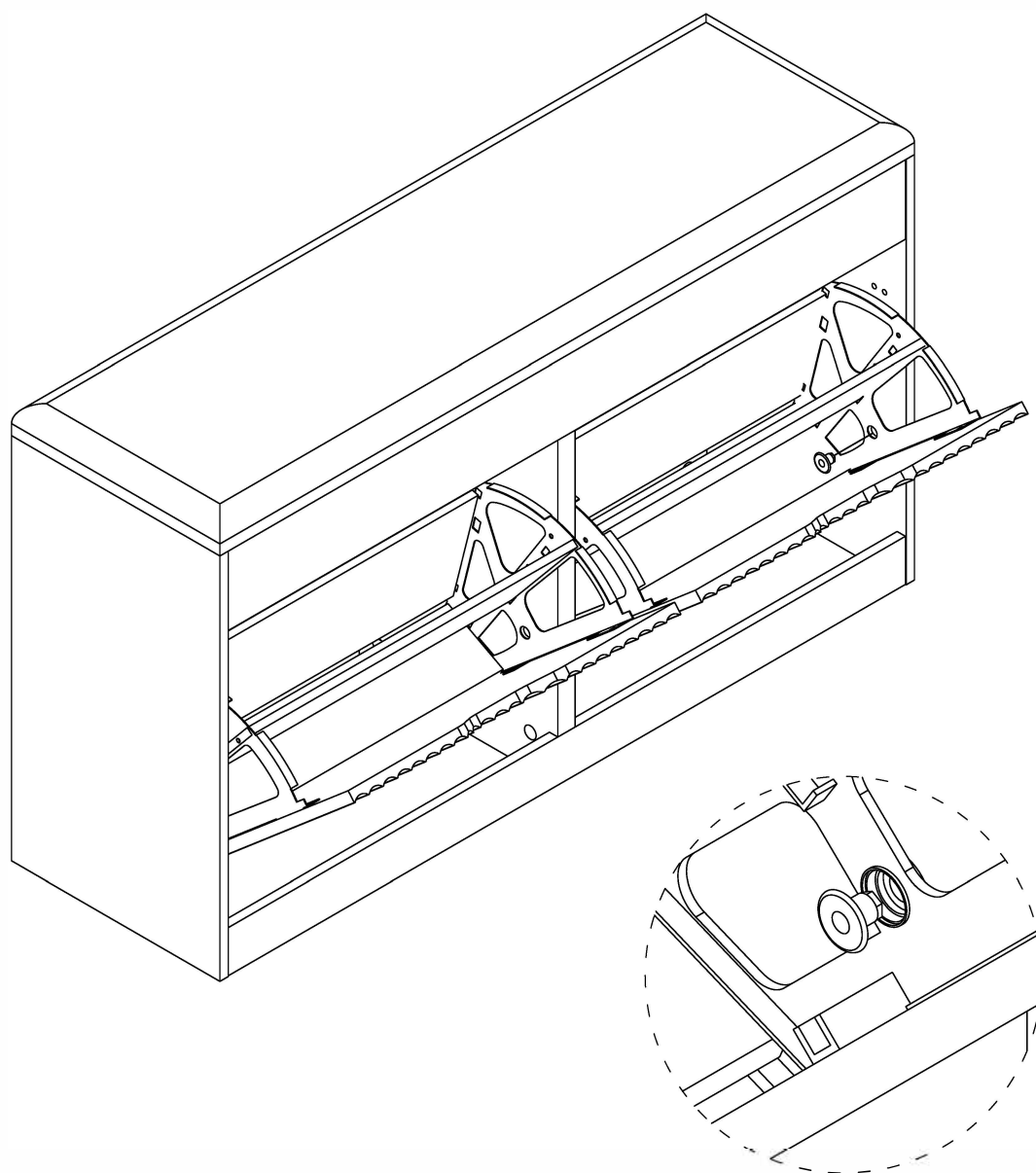
C

Ø3.5x10mm
12 pcs

16

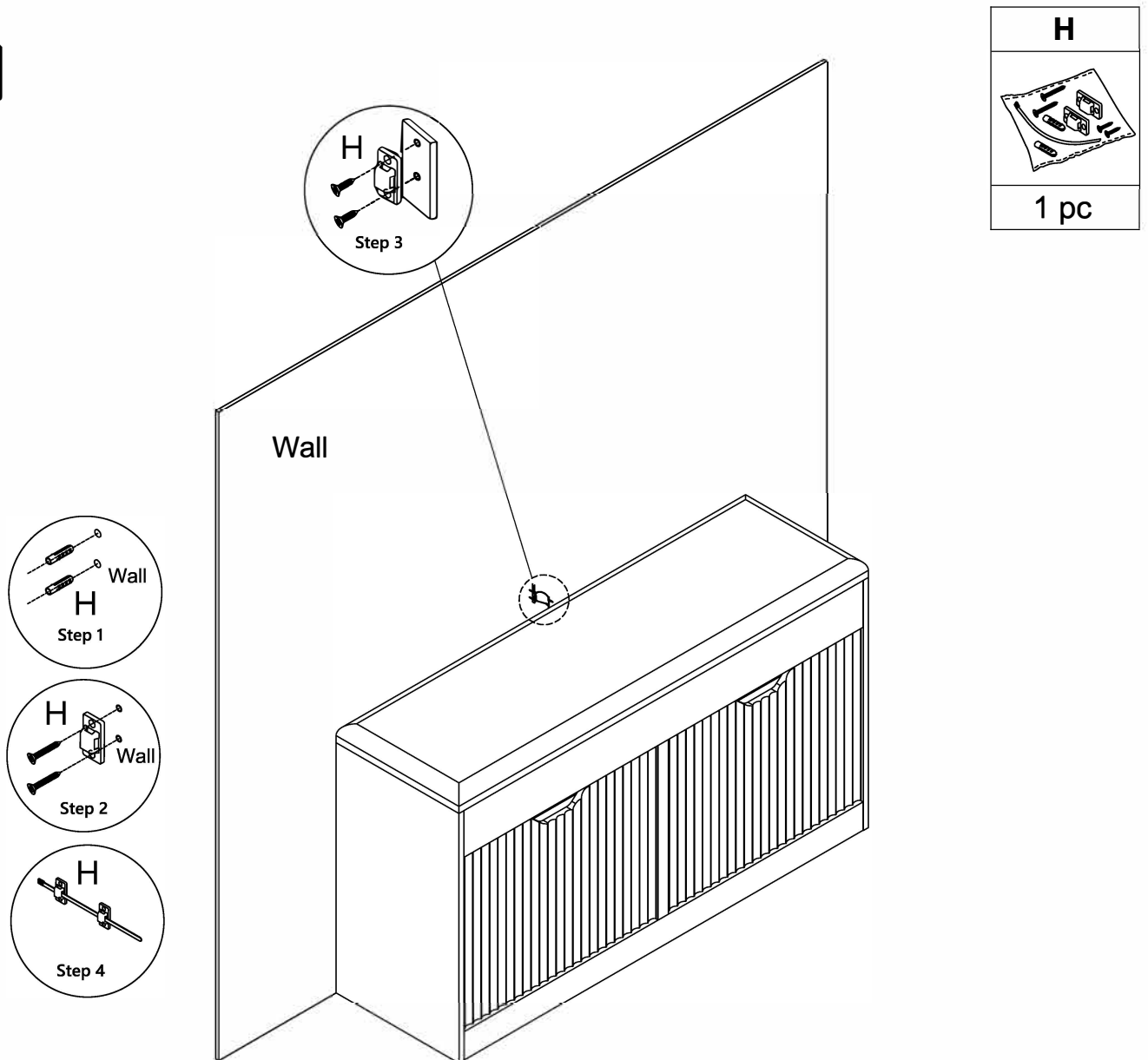


x2

C

Ø3.5x10mm
16 pcs



18



## Installation Steps:

1. Drill a hole in the wall and insert the expansion bolt into the hole.
2. Use self-tapping screws to secure Part A to the wall.
3. Position the furniture, then use self-tapping screws to attach Part E to the corresponding position on the furniture.
4. Thread one end of the tape through the two parts, then securely connect both ends by rotating the nut clockwise.

## Note:

Before installing the anti-tip kit, determine the placement of the furniture and use a stud finder to locate the centerline of the studs.

For concrete walls, ensure there are no steel reinforcements inside the wall.

(Anti-tipping accessories are not mandatory. You can consider whether to install them according to your home decoration)