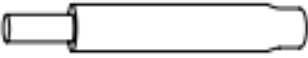



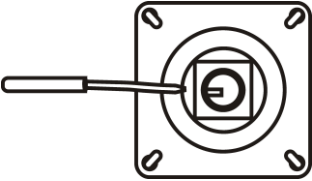

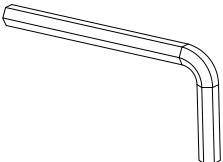


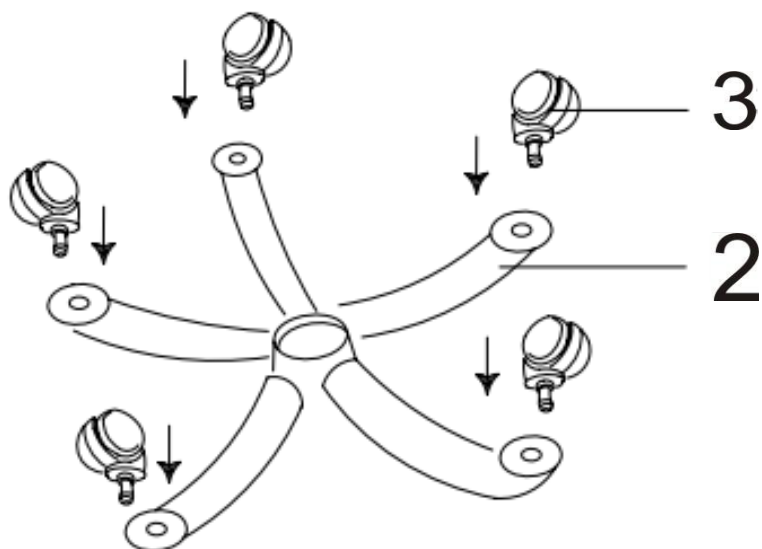
OFFICE CHAIR



ASSEMBLY INSTRUCTIONS

1	2	3
 <p data-bbox="233 954 383 1025">GAS LIFT 1PC</p>	 <p data-bbox="753 954 845 1025">BASE 1PC</p>	 <p data-bbox="1225 954 1356 1025">CASTER 5PCS</p>
4	5	
 <p data-bbox="264 1496 357 1568">SEAT 1PC</p>	 <p data-bbox="663 1496 1005 1568">BRACKET W/HANDLE 1PC</p>	
A	B	
 <p data-bbox="264 1995 357 2067">BOLT 4PCS</p>	 <p data-bbox="743 1995 893 2067">WRENCH 1PC</p>	

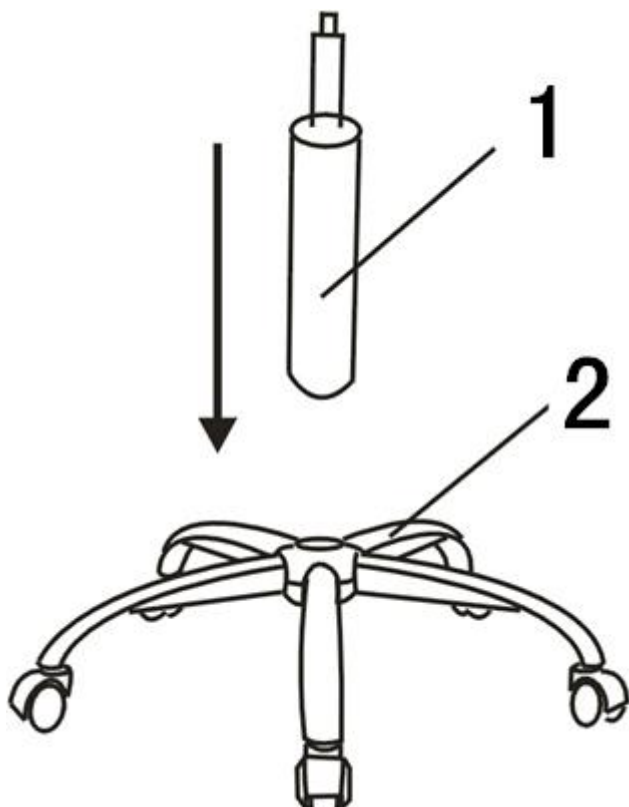
STEP 1



*Please put all parts on a soft surface to prevent scratches.

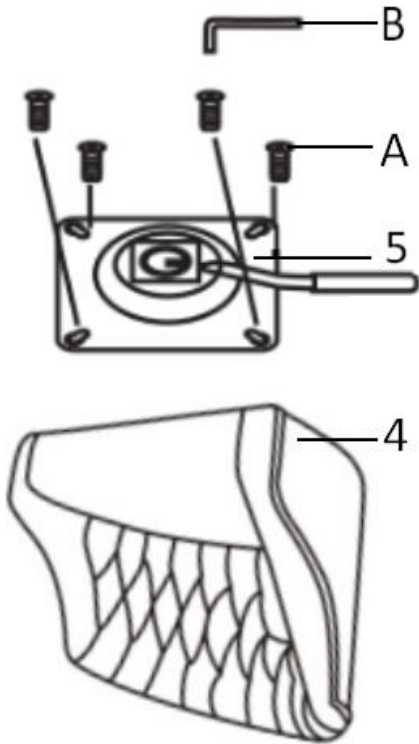
Insert caster (3) into base (2) carefully as shown.

STEP 2



Insert gas lift (1) into base (2) carefully as shown.

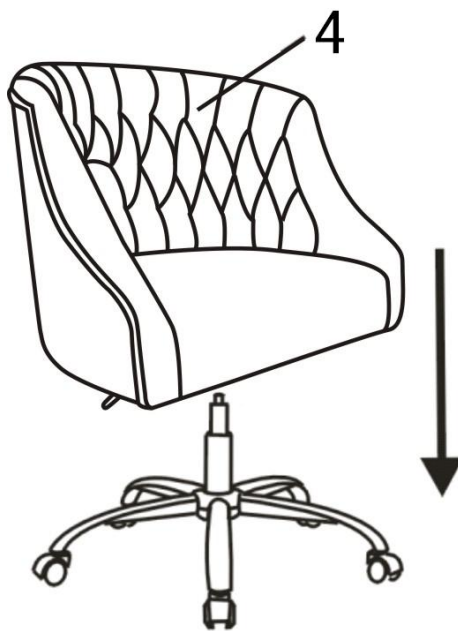
STEP 3



Attach bracket w/handle (5) to seat (4) by using bolt (A) and wrench (B) as shown.

Tighten all bolts firmly!

STEP 4



Insert gas lift (1) into seat (4) by applying moderate downwards force to the seat (4) in order to secure it to the base as shown.

Your office chair is completed.