







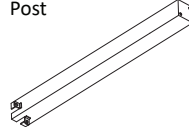
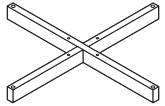
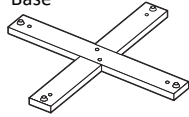
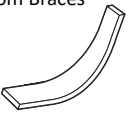
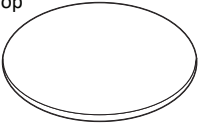


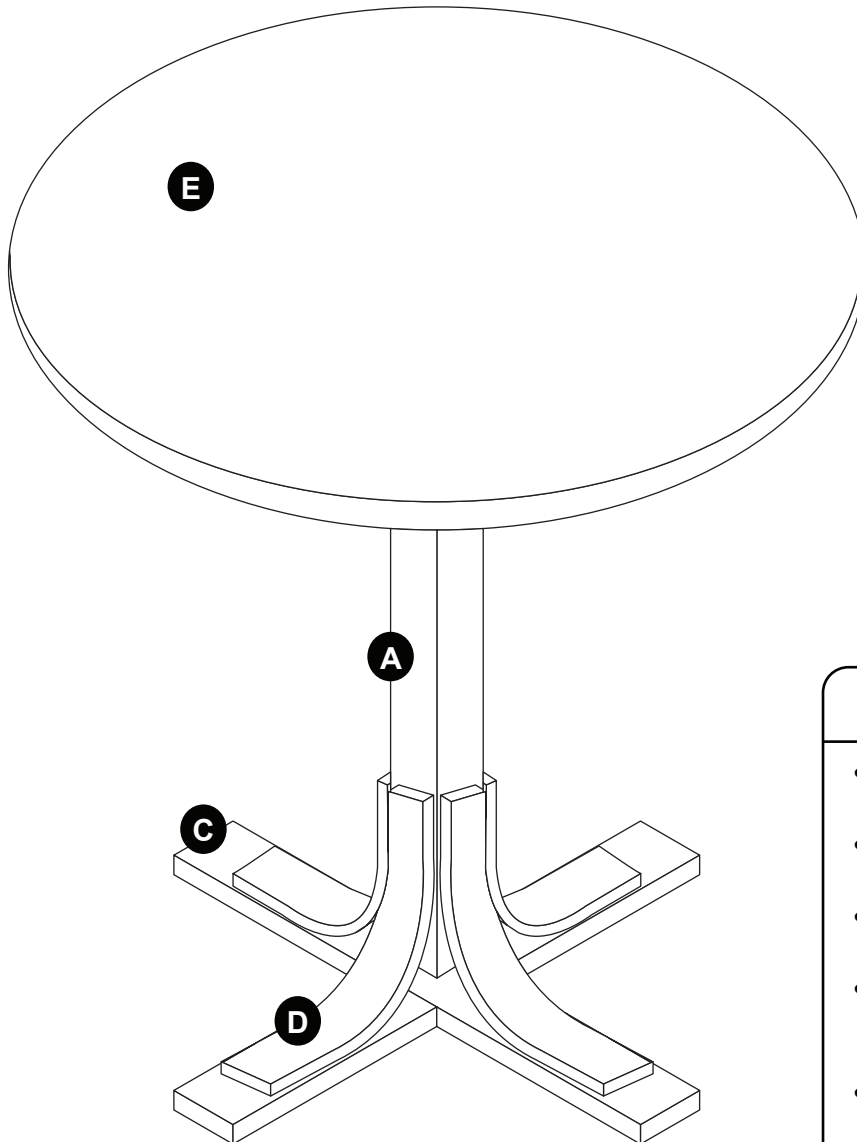
Wood Round Table

Round Table Top
Dining Table Base

Examine all packaging material for small parts that may have come loose during shipment. Periodic checks are recommended to insure that all components are in proper position, tight and free from damage. Keep this assembly instruction for future reference. Adult assembly is required. This product is designed for residential use only.

CODE	QTY	HARDWARE	
1	4	1/4" x 15 Allen Bolts	
2	6	1/4" x 38 Allen Bolts	
3	4	1/4" x 55 Allen Bolts	
4	14	Φ6.5 x 1.5 Spring Washers	
5	14	Ø16 x Φ6.5 x 1.5 Flat Washers	
6	4	Ø17 x 1/4 x 25 Slotted Screw	
7	1	4 x 4 Allen Wrench	
8	1	Screwdriver Not Included	

CODE	QTY	COMPONENTS	CODE	QTY	COMPONENTS
A	1	Post	B	1	Top Brace
					
C	1	Base	D	4	Bottom Braces
					
			E	1	Top
					



⚠ WARNING

- Do not let any sharp objects touch or rub the surface of the product.
- When assembling, do not let children play around the working area.
- Please confirm all parts are correct before starting the assembly process.
- Do not tighten all bolts and screws completely until the entire unit has been assembled and set up.
- Be careful if using power tools as they can over tighten screws and strip threads.

CARE & MAINTENANCE: The touch of a soft cloth is all the maintenance the finish will ever need. Please do not use harsh or abrasive cleaners for polishing, as they may cause damage to the finish. Periodic checks are recommended to make sure that all hardware is securely tightened.

Round Table Top
Dining Table Base

STEP 1 - Figure 1

Begin assembly by attaching Post (A) to Top Brace (B) using 4 Allen Bolts (1), 4 Spring Washers (4) and 4 Flat Washers (5).

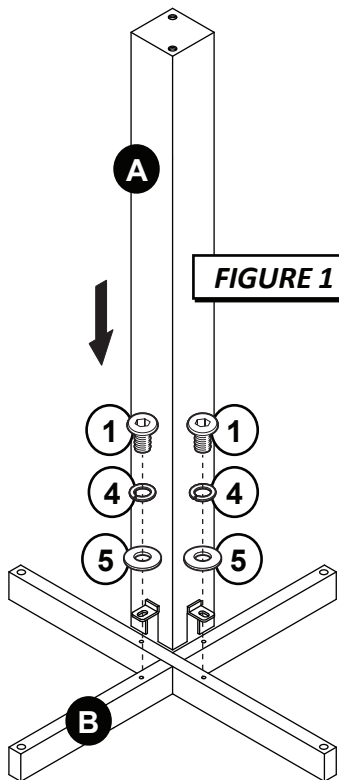


FIGURE 1

STEP 2 - Figure 2

Attach Base (C) to Post (A) using 2 Allen Bolts (2), 2 Spring Washers (4) and 2 Flat Washers (5).

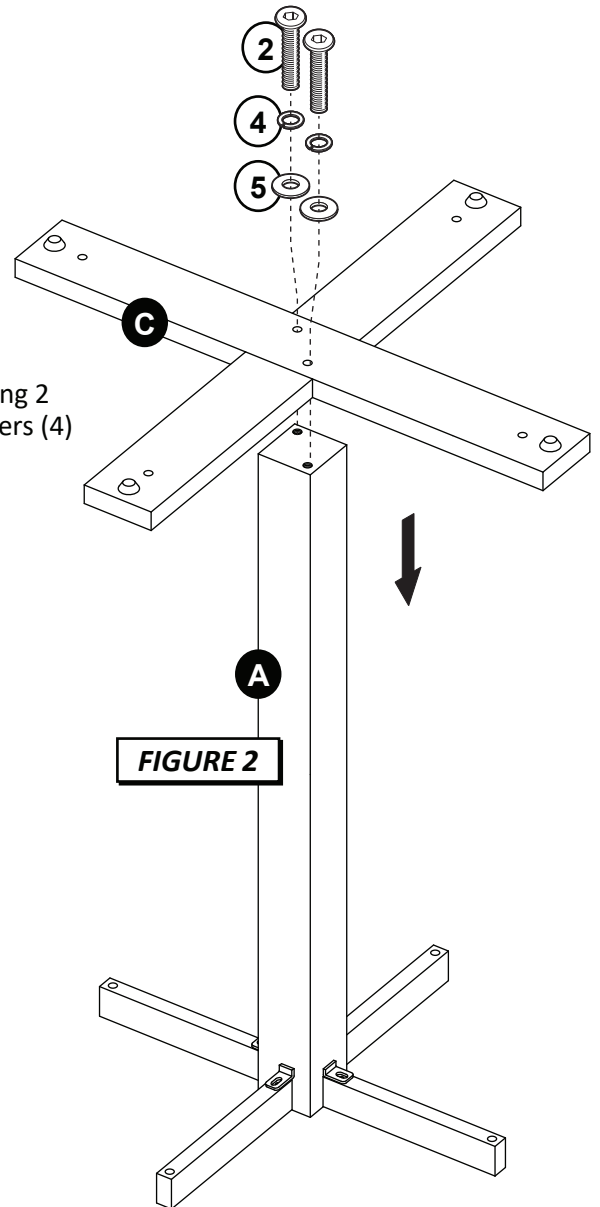
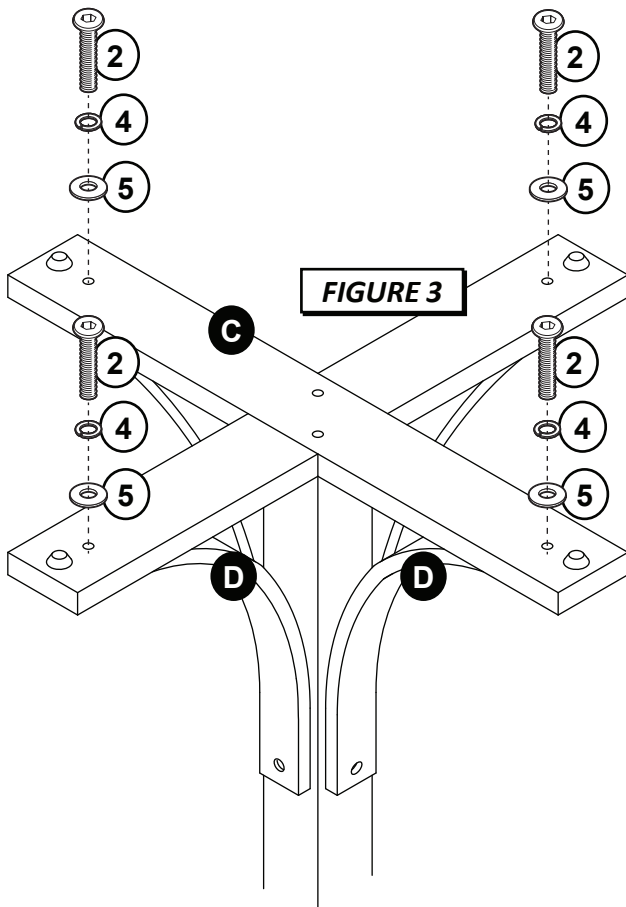


FIGURE 2

FIGURE 3



STEP 3 - Figure 3

Attach Bottom Braces (D) to Base (C) using 4 Allen Bolts (2), 4 Spring Washers (4) and 4 Flat Washers (5).

Round Table Top
Dining Table Base

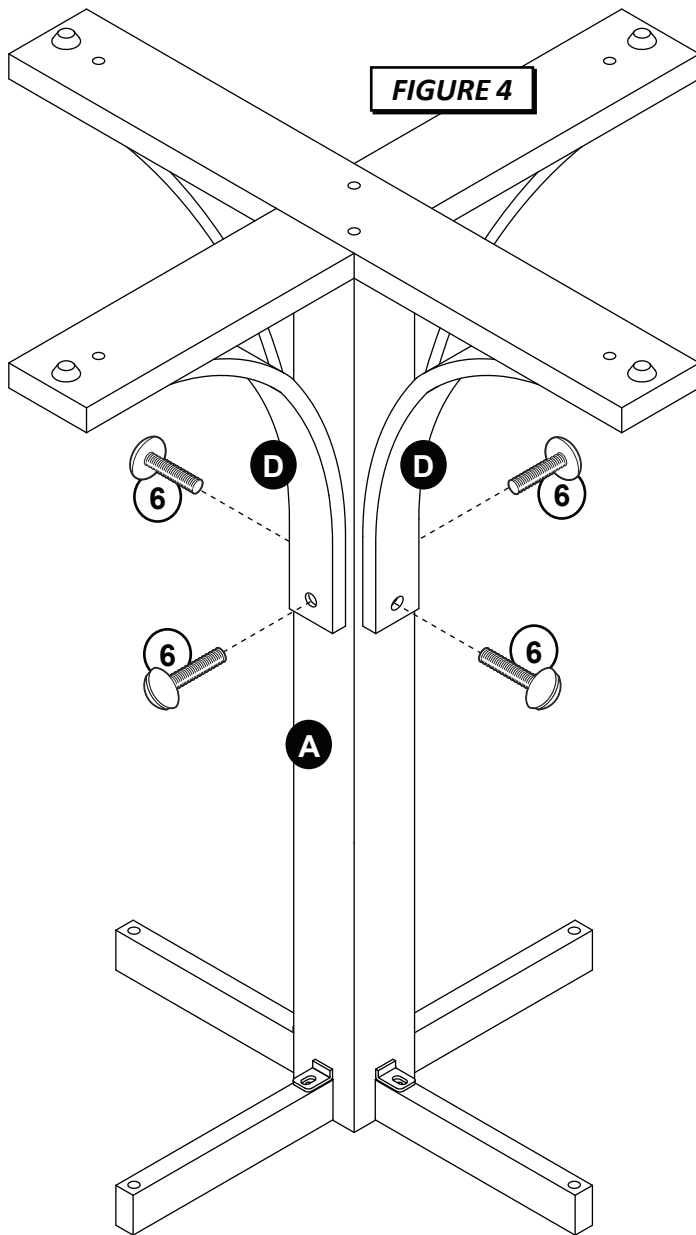


FIGURE 4

STEP 4 - Figure 4

Attach Bottom Braces (D) to Post (A) using 4 Screws (6). Tighten screws with flathead Screwdriver (8) (not included).

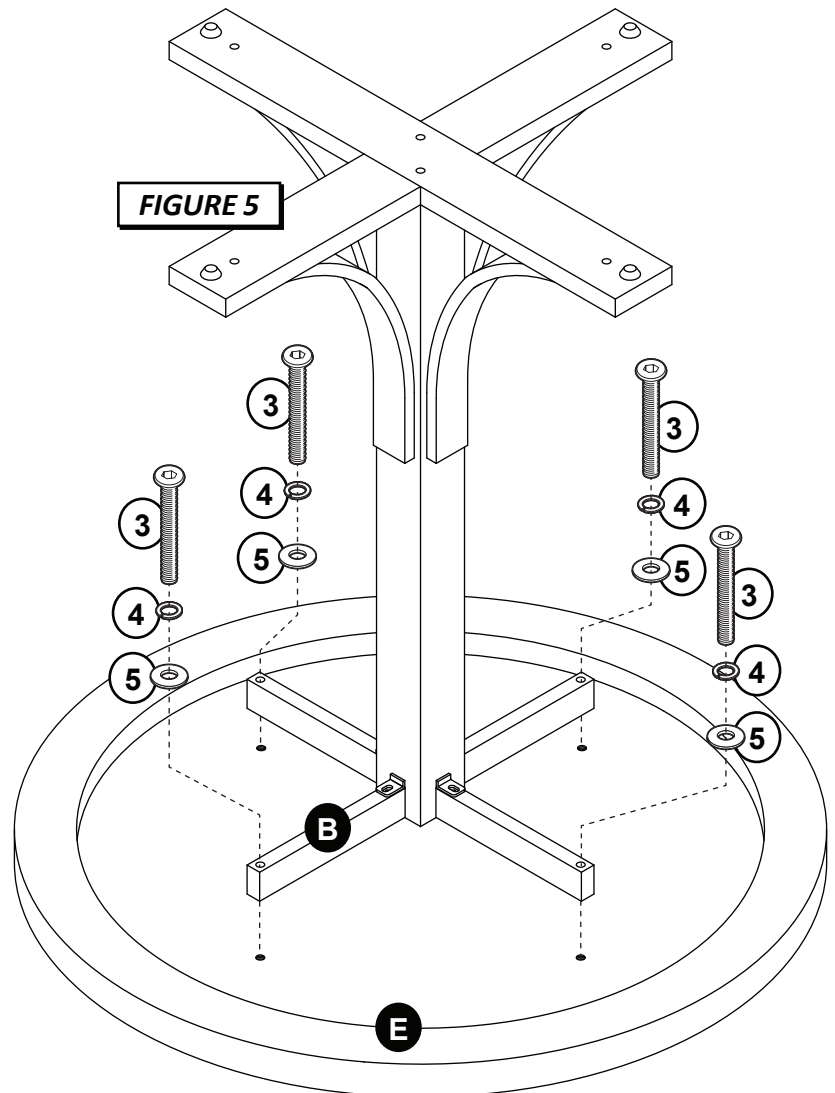


FIGURE 5

STEP 5 - Figure 5

Attach Bottom Braces (D) to Base (C) using 4 Allen Bolts (2), 4 Spring Washers (4) and 4 Flat Washers (5). Tighten all bolts with Allen Wrench (7) provided. The assembly is now complete.