

DINING CHAIR ASSEMBLY INSTRUCTION

Thank you for purchasing this quality product. Be sure to check all packing material carefully for small parts which may have come loose inside the carton during shipment. Separate, identify and count all parts and hardware. Compare with the parts list to be sure all parts are present.

IMPORTANT : PLEASE READ INSTRUCTION BEFORE STARTING THE ASSEMBLY.

"DO NOT TIGHTEN SCREWS UNTIL COMPLETELY ASSEMBLED"

"DO NOT OVERTIGHT ANY HARDWARE"

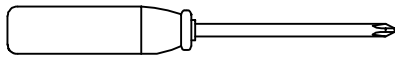
WARNING : SMALL PARTS AND HARDWARE NOT FOR CHILDREN UNDER 3 YEARS. ADULT ASSEMBLY REQUIRED.

TABLE OF CONTENTS

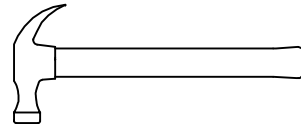
HARDWARES LIST	PAGE 2
PARTS LIST	PAGE 3
PARTS' LOCATION	PAGE 4
ASSEMBLY STEPS	PAGE 5 - 6
ASSEMBLY COMPLETED	PAGE 6

ASSEMBLY TOOLS REQUIRED

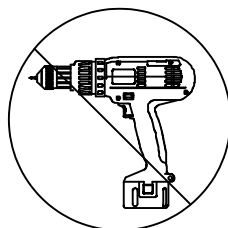
1. Screwdriver (not provide)



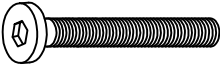


2. Hammer (not provide)



Skip the power trip this time.

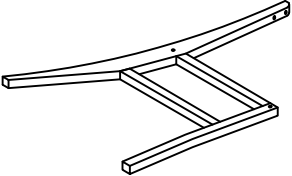
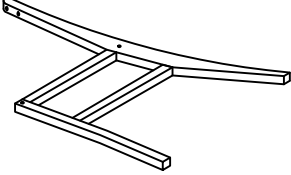
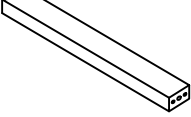




HARDWARES LIST

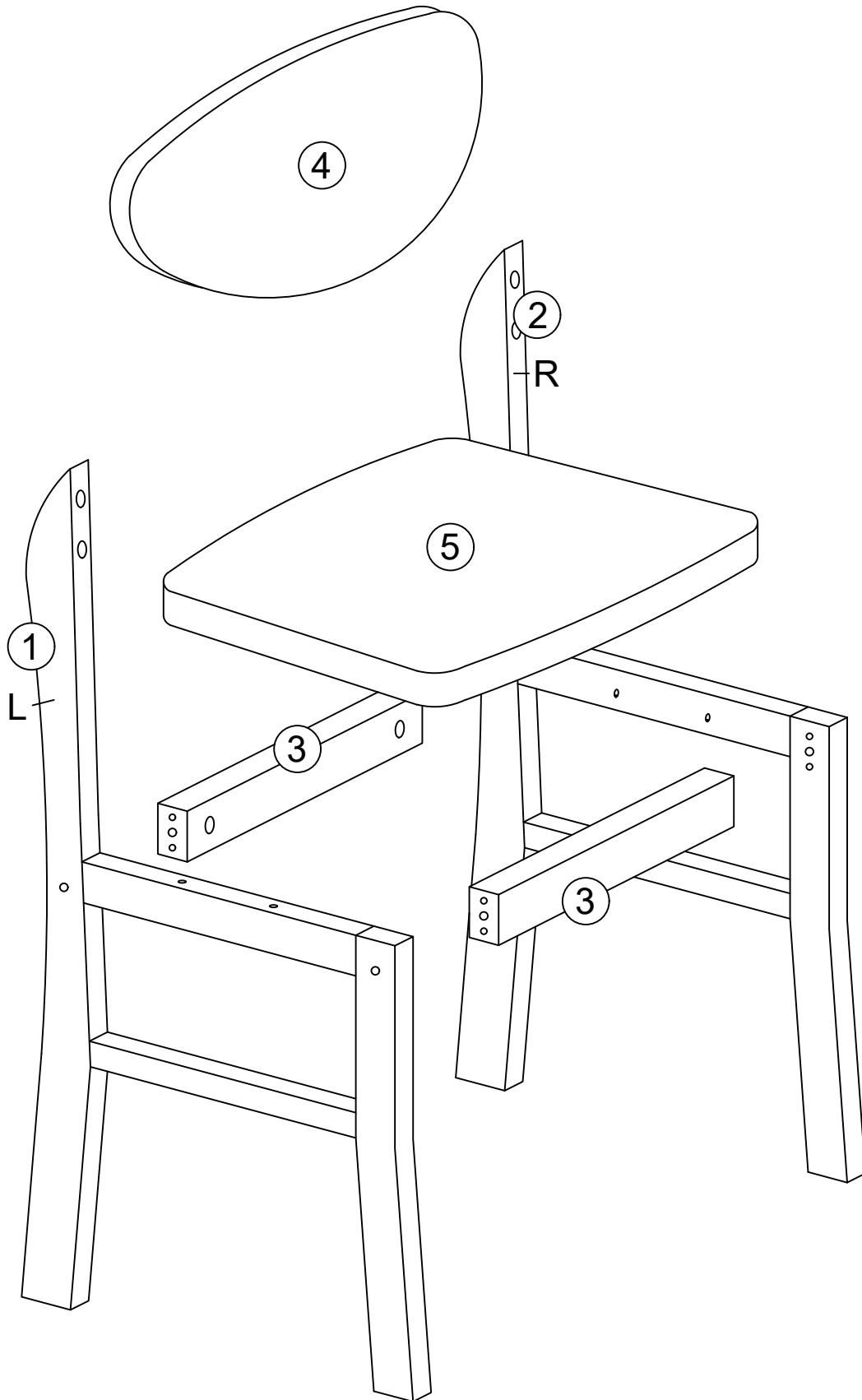
ITEM	DESCRIPTION	DRAWING	QTY
A	JCBC SCREW M6 x 30MM		8 PCS
B	JCBC SCREW M6 x 55MM		8 PCS
C	WOOD DOWEL M8 x 30MM		16 PCS
D	SPRING WASHER M6 x 12MM		16 PCS
E	CSK C/B SCREW (M4 x 32MM)		12 PCS
F	BARREL NUT		8 PCS
G	M4 ALLEN KEY (100MM)		1 PC

There are total **THREE (3)** packs of hardware packs.
 Each hardware pack includes the hardware for **TWO (2)** chairs.

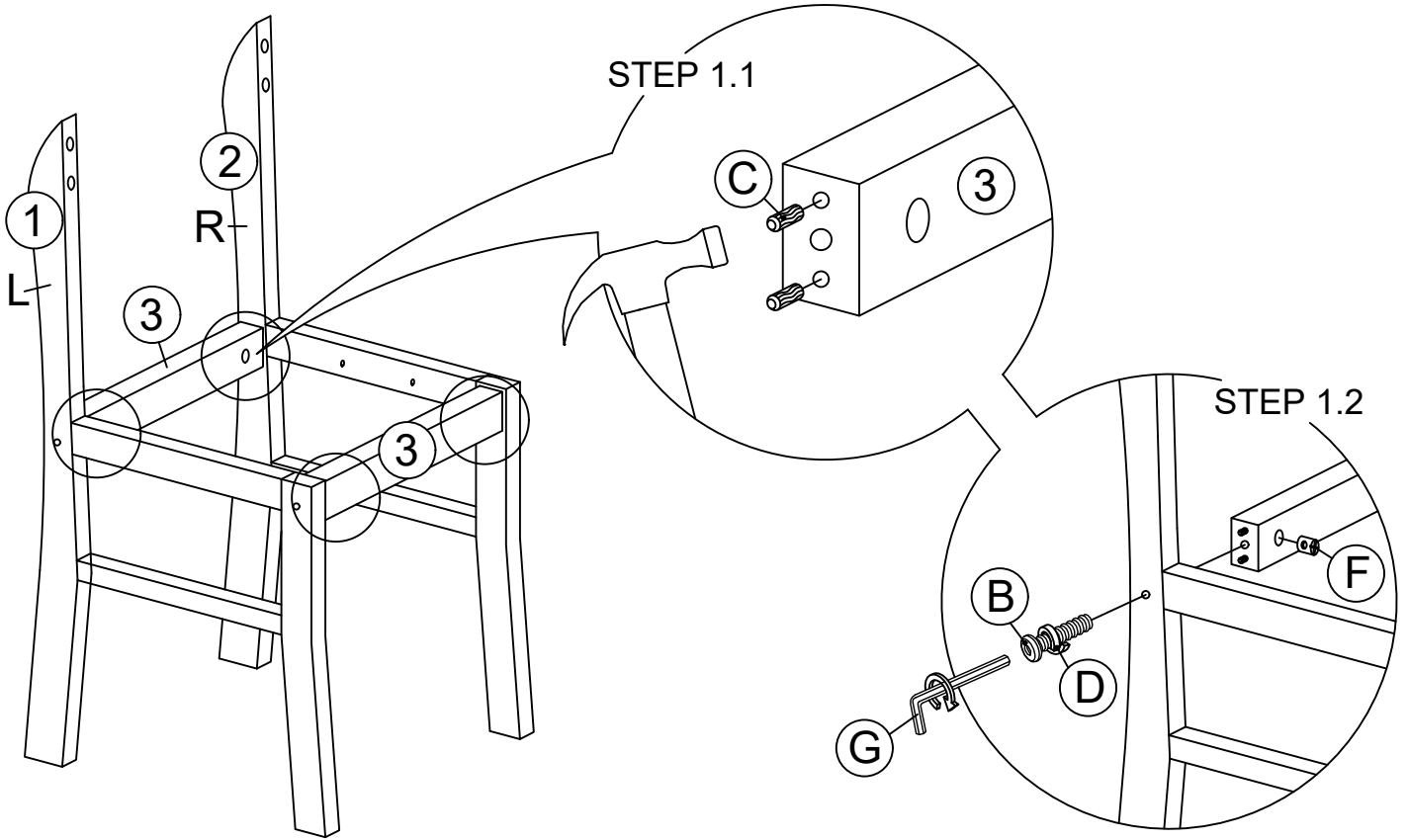
PARTS LIST

ITEM	DESCRIPTION	DRAWING	QTY
1	LEG (LEFT)		6 PC
2	LEG (RIGHT)		6 PC
3	SUPPORT RAIL		12 PC
4	BACK PANEL		6 PC
5	SEAT		6 PC

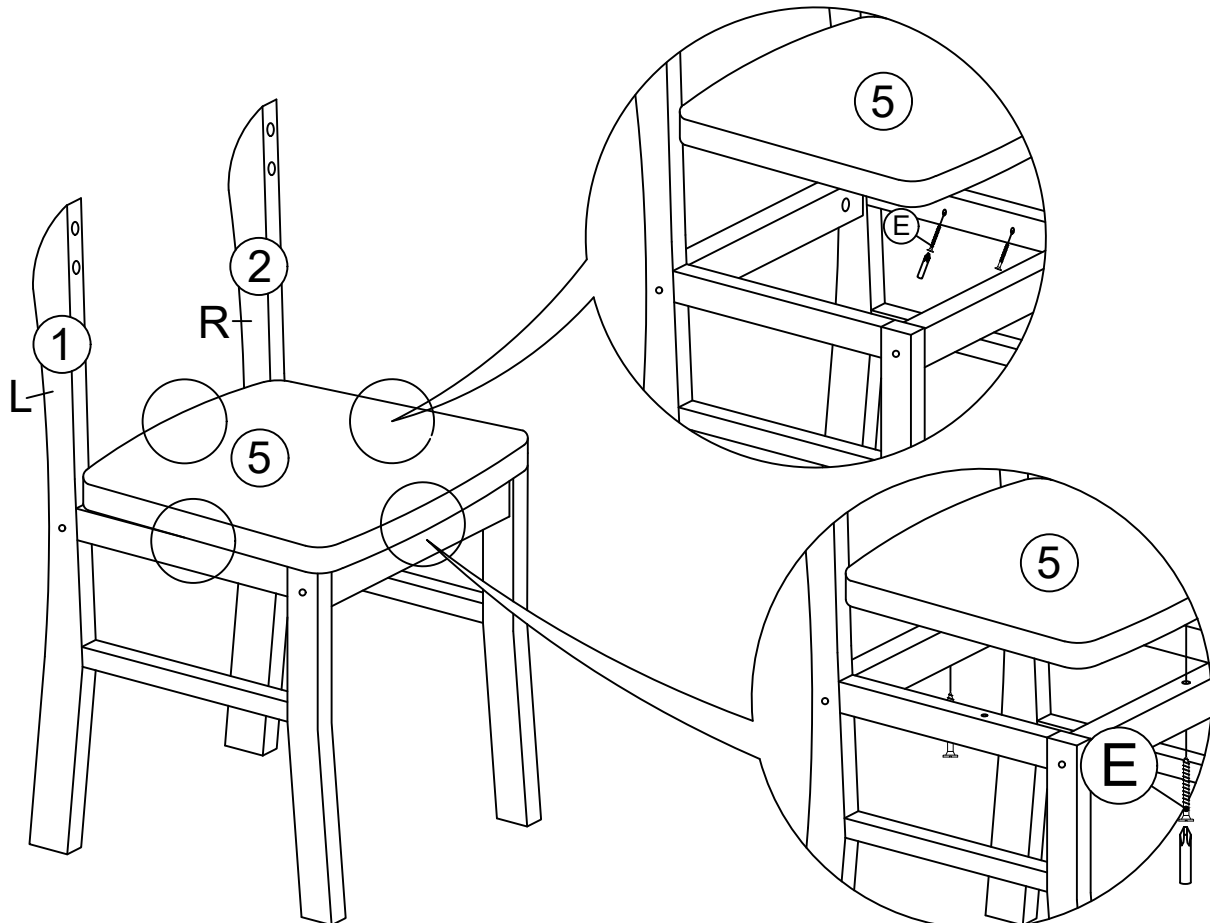
PARTS ' LOCATION



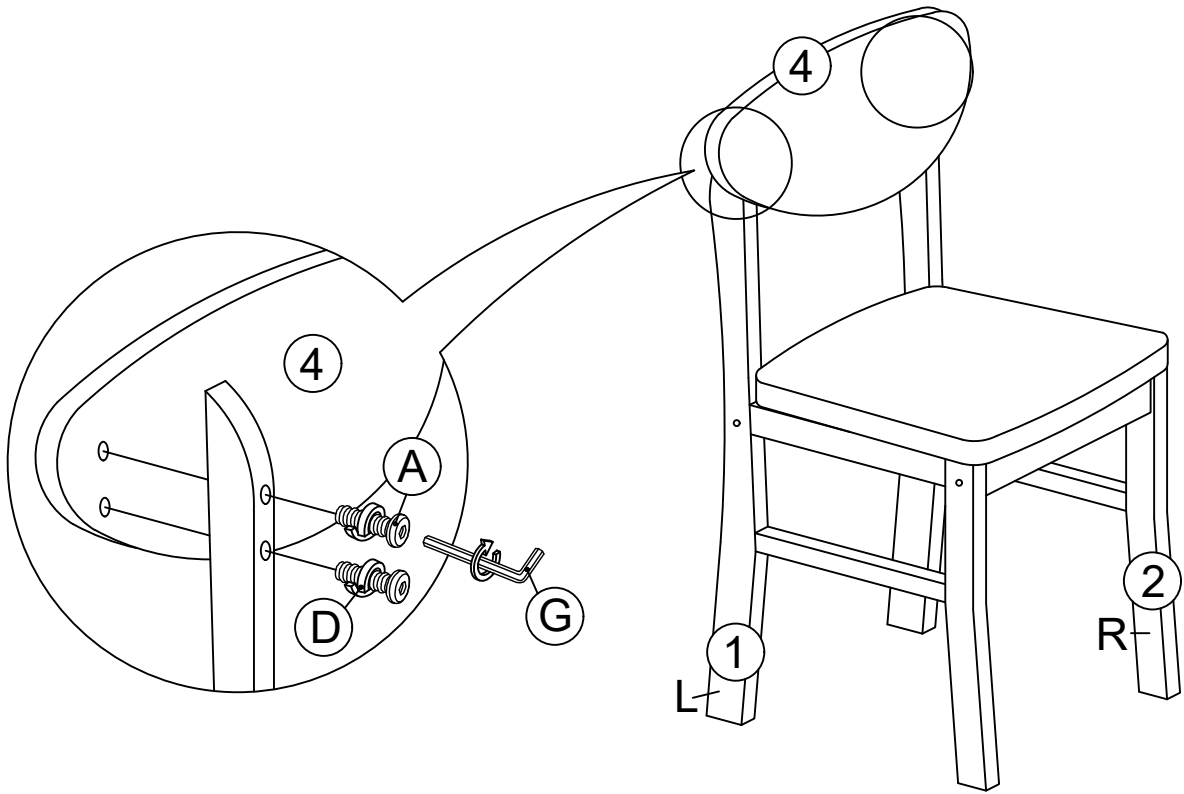
STEP 1



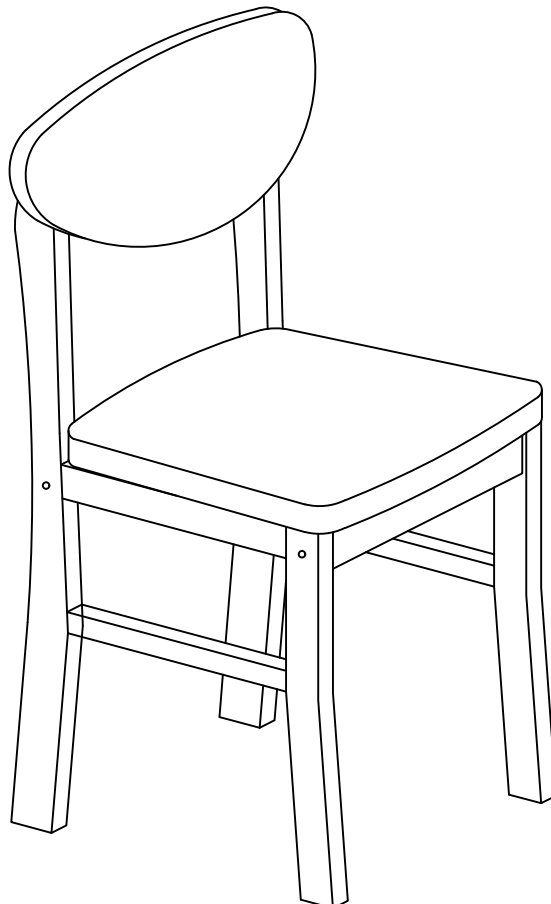
STEP 2



STEP 3



STEP 4



**ASSEMBLY
COMPLETED**