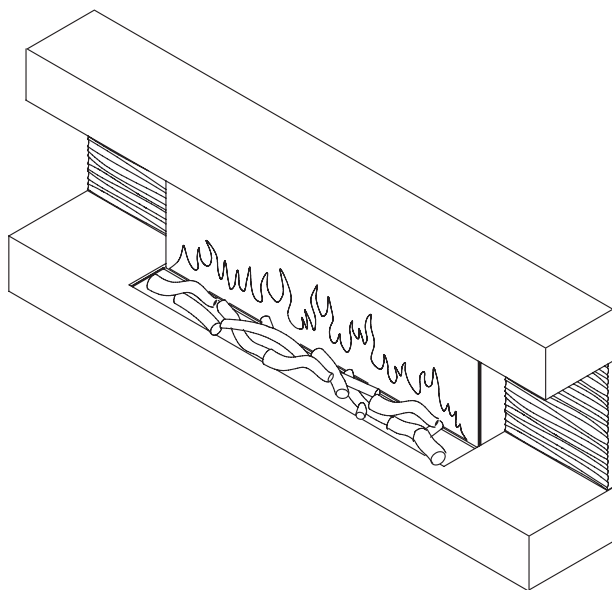


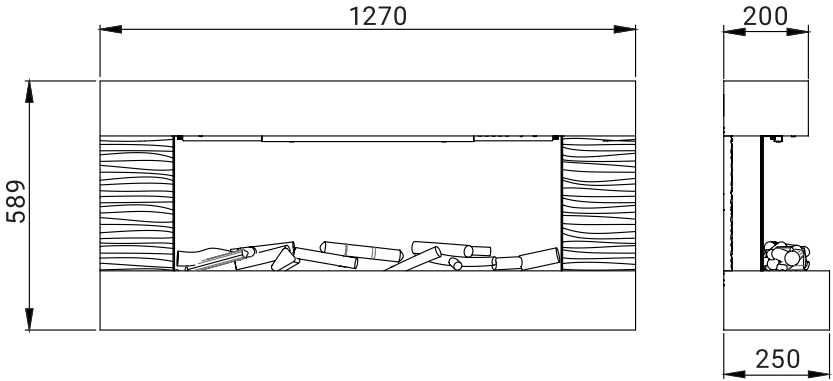
FIREPLACE MANTEL

ASSEMBLY INSTRUCTIONS



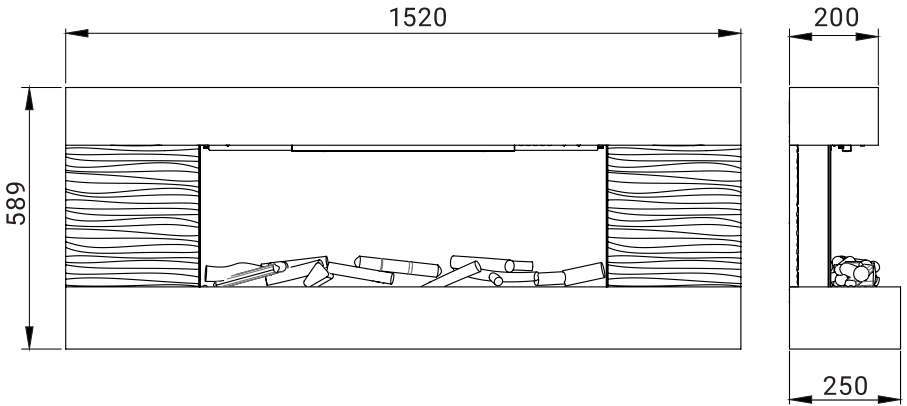
APPLIANCE DIMENSIONS

UNIT : mm

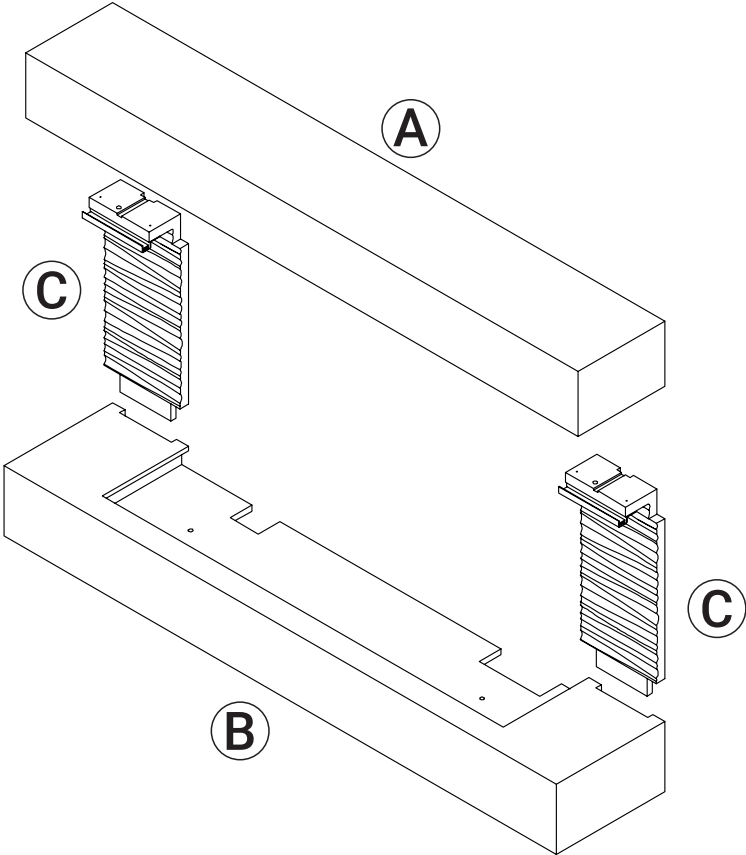


MT197E

UNIT : mm



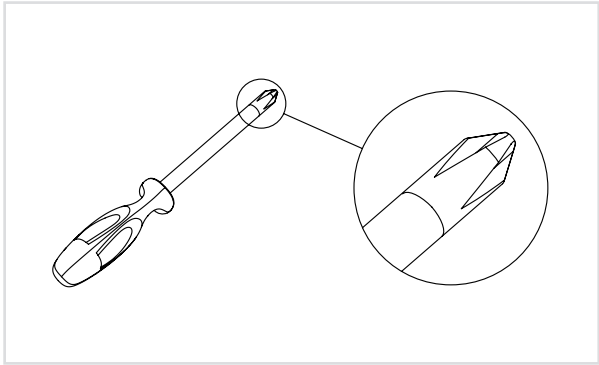
PARTS LIST

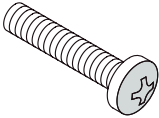
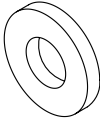
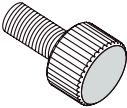
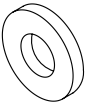


PARTS AND ACCESSORIES

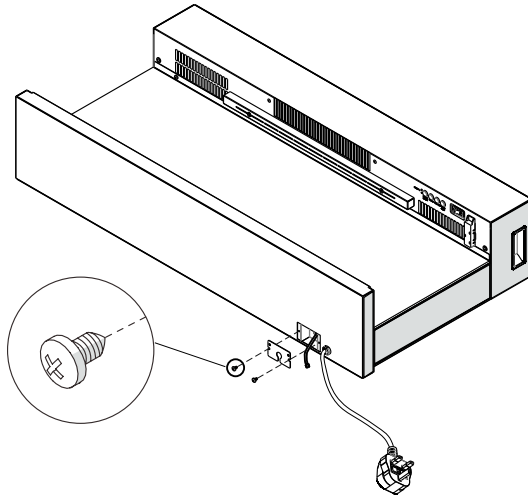
Tools required:

A screwdriver will be needed.



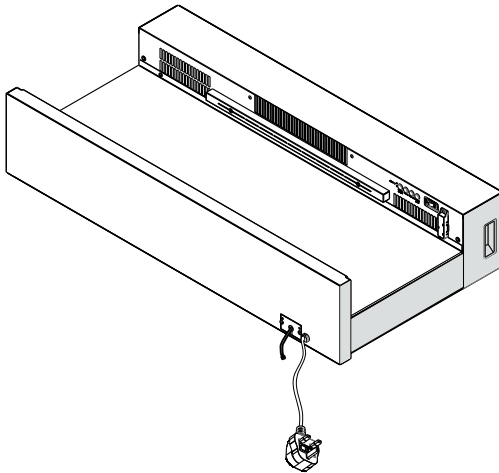
 4x	 4x	 2x
M5x35mm	ø 6,4 x ø 18 x 1,6 mm	M5x12mm
 2x		
ø 4,2 x ø 12 x 2 mm		

01



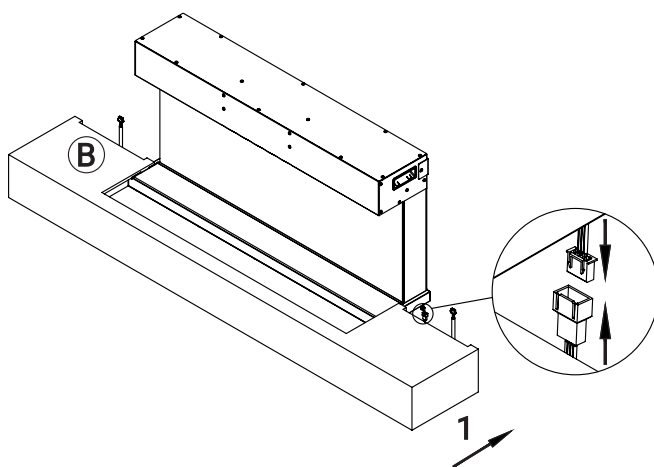
Place the fireplace on a flat surface and remove the two screws as shown. Open the cover on the base plate and remove the plug for mood light.

02

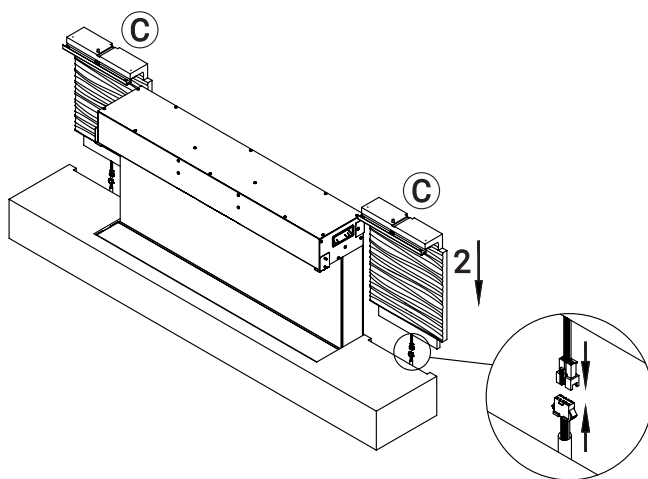


Insert the plug through the hole in the cover and reattach the cover.

03

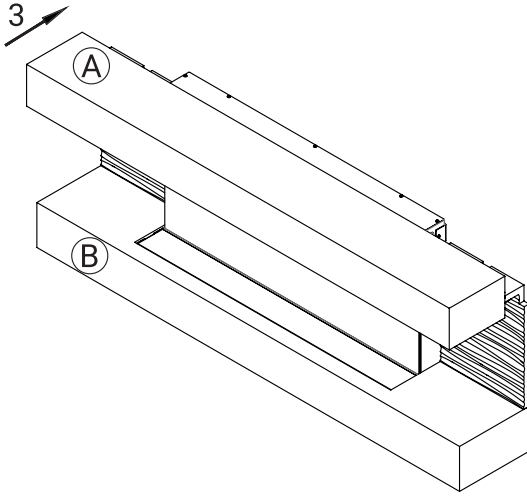


04

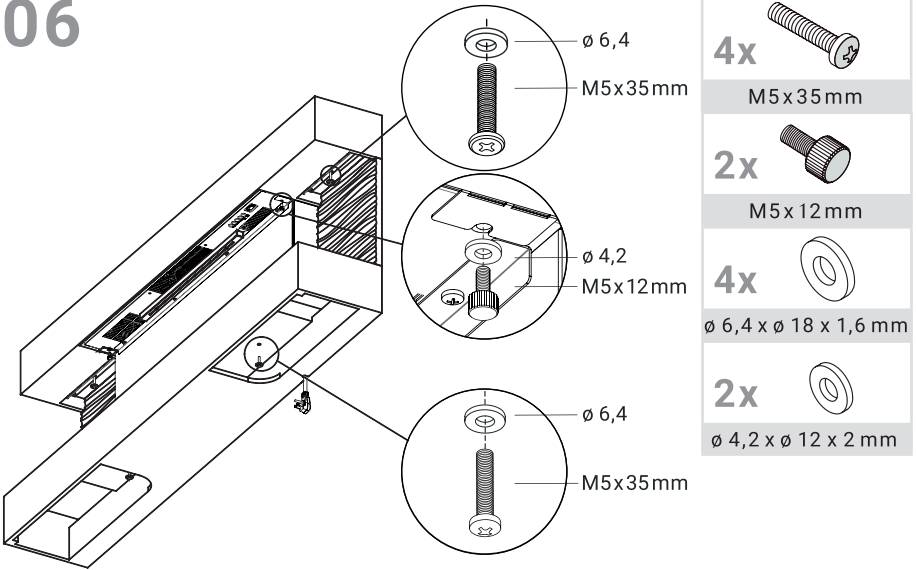


Carry out this assembly step on both sides

05



06



Carry out this assembly step on both sides