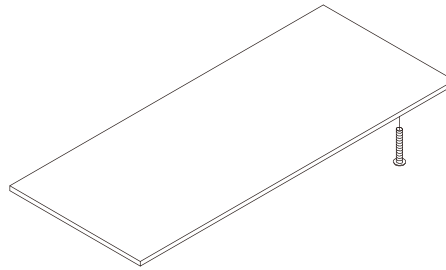


2 PERS.

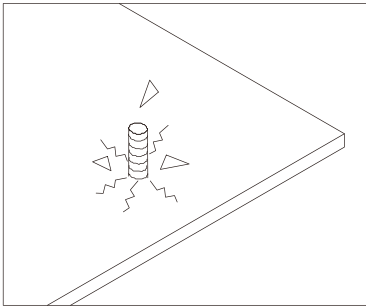
1. Matters needing attention

⚠ WARNING	
	<p>Children have died from furniture tipover. To reduce the risk of furniture tipover:</p> <ul style="list-style-type: none">-ALWAYS install Anti-tip device provided.-NEVER put a TV on this product.-NEVER allow children to stand, climb or hang on drawers, doors, or shelves.-NEVER open more than one drawer at a time.-Place heaviest items in the lowest drawers. <p><i>This is a permanent label. Do not remove!</i></p>
	

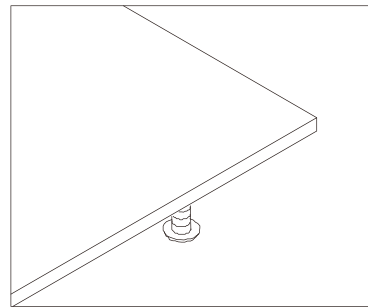
2. Matters needing attention



Be sure to use the proper screws to avoid damaging the parts



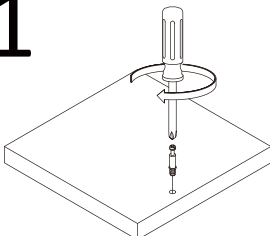
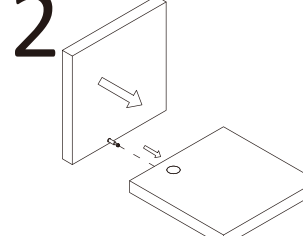
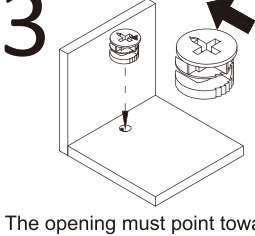
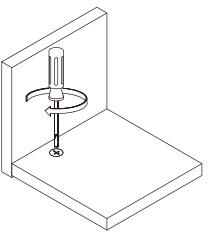
Wrong screws can cause the plank to crack



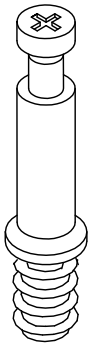
The right screw is the right size

Cam Lock Fastening System

Insert the cam bolt into the hole first, then insert the cam lock and lock it.

1 	2 	3  <p>The opening must point toward the edge of the board</p>	4 
---	---	---	---

Installation Parts



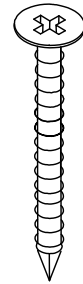
A
x80+3
Ø6x35mm



B
x80+3
Ø15x10mm



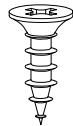
C
x50+3
Ø6x30mm



D
x27+2
Ø4x30mm



E
x10+1
Ø4x12mm



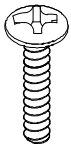
F
x32+3
Ø3.5x12mm



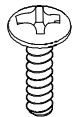
G
x22+2
Ø3x14mm



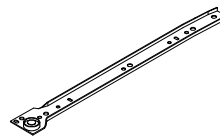
H
x4
Ø6x25mm



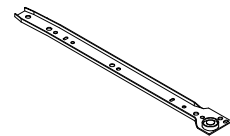
I
x6
Ø4x14mm



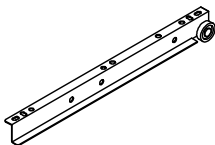
J
x3
Ø4x8mm



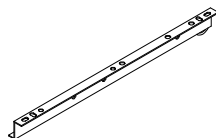
K
x3
L300mm(L)



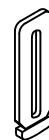
L
x3
L300mm(R)



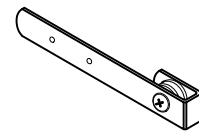
M
x3
L300mm(L)



N
x3
L300mm(R)



O
x2



P
x2



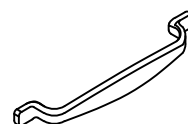
Q
x28+1



R
x2
L=36mm



S
x2



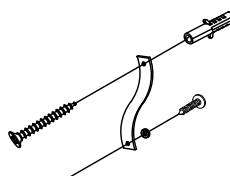
T
x2



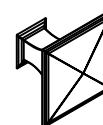
U
x4



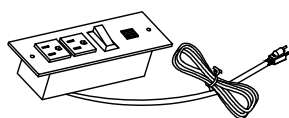
V
x18+1



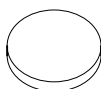
W
x2



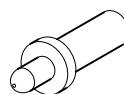
X
x5



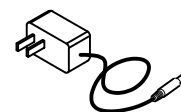
Y
x1



Z
x6



a
x4



b
x1

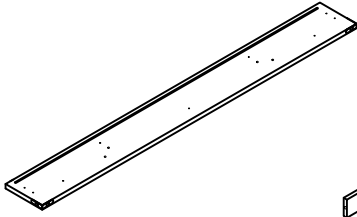


d
x4

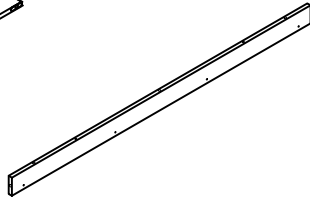


e
x2
Ø3x12mm

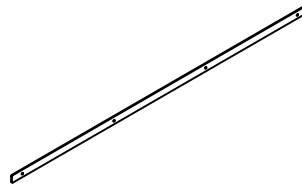
Mounting frame



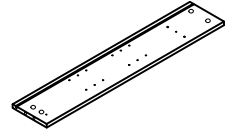
①
x1



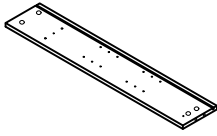
②
x1



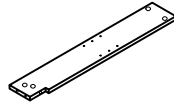
③
x1



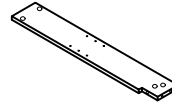
④
x1



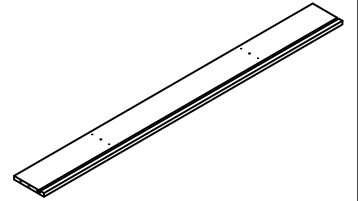
⑤
x1



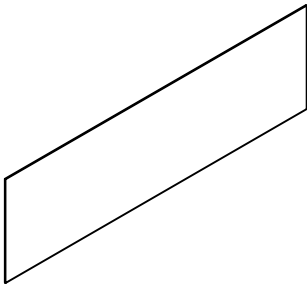
⑥
x1



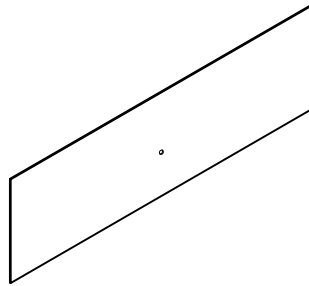
⑦
x1



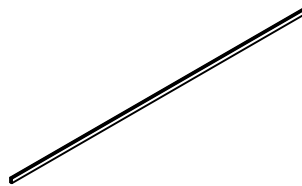
⑧
x1



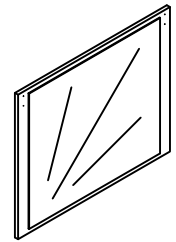
⑨
x1



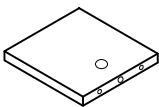
⑩
x1



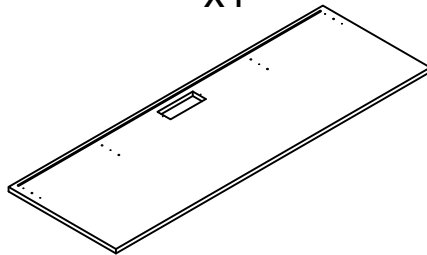
⑪
x1



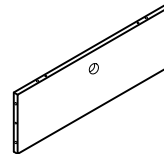
⑫
x1



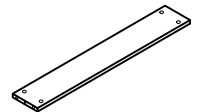
⑬
x2



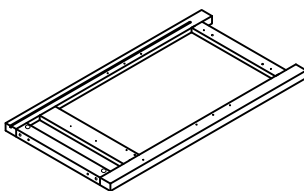
⑭
x1



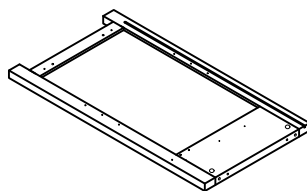
⑮
x1



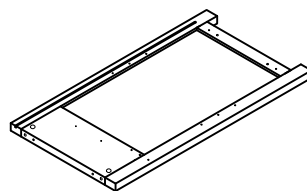
⑯
x1



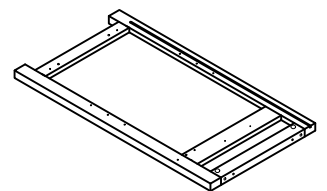
⑰
x1



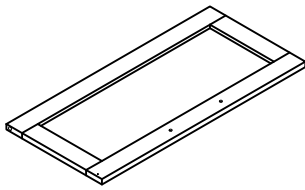
⑱
x1



⑲
x1

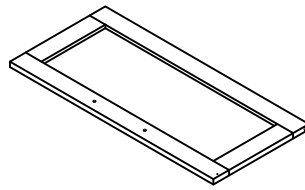


⑳
x1



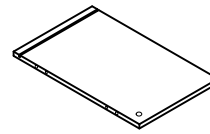
21

x1



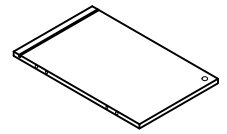
22

x1



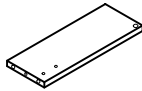
23

x1



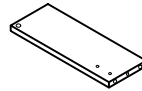
24

x1



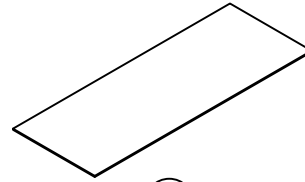
25

x1



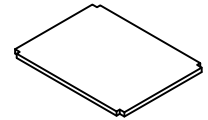
26

x1



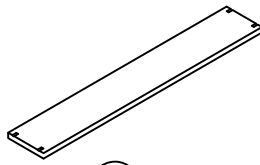
27

x2



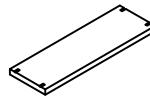
28

x2



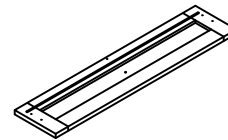
29

x1



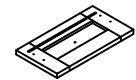
30

x4



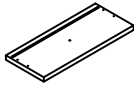
31

x1



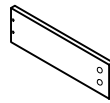
32

x2



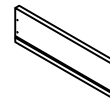
33

x2



34

x3



35

x3



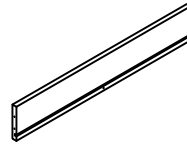
36

x2



37

x2



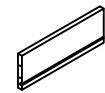
38

x1



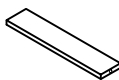
39

x2



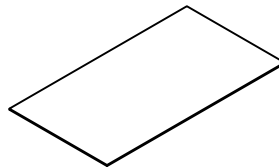
40

x2



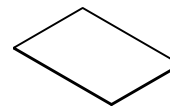
41

x1



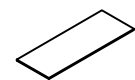
42

x1



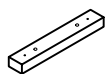
43

x2



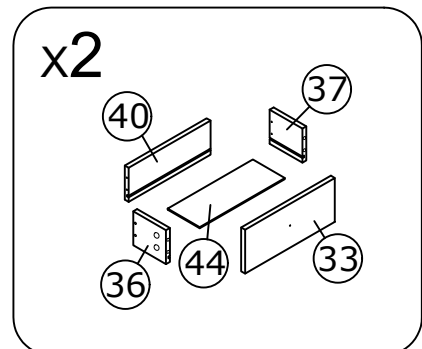
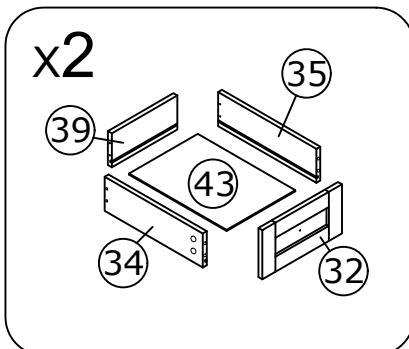
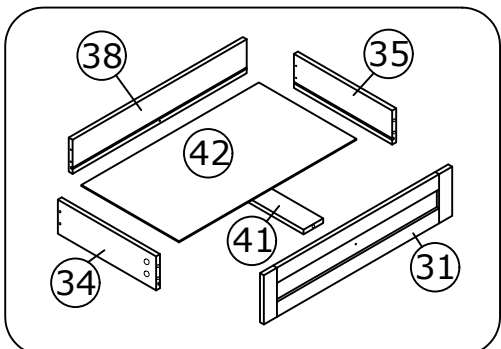
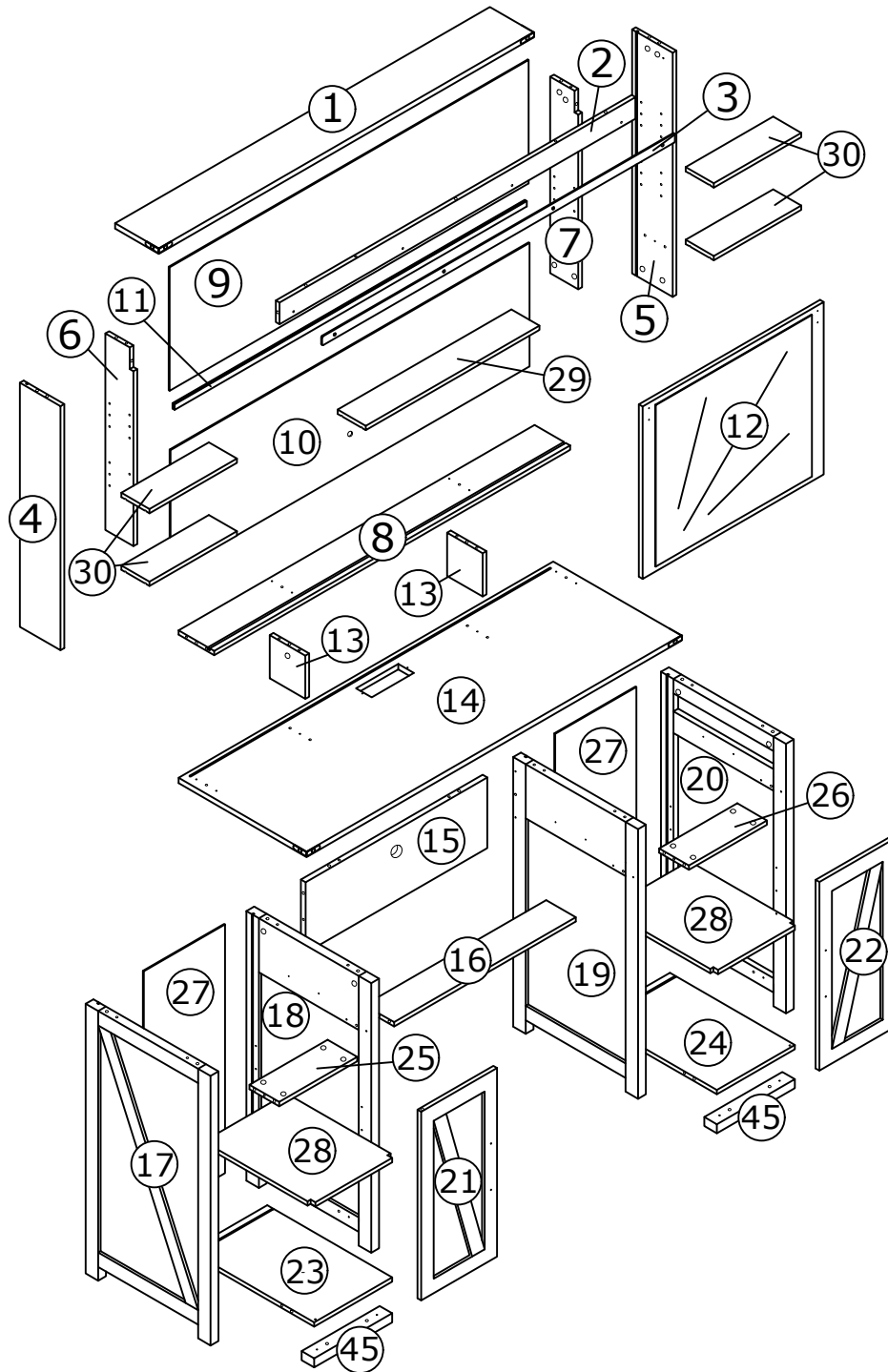
44

x2

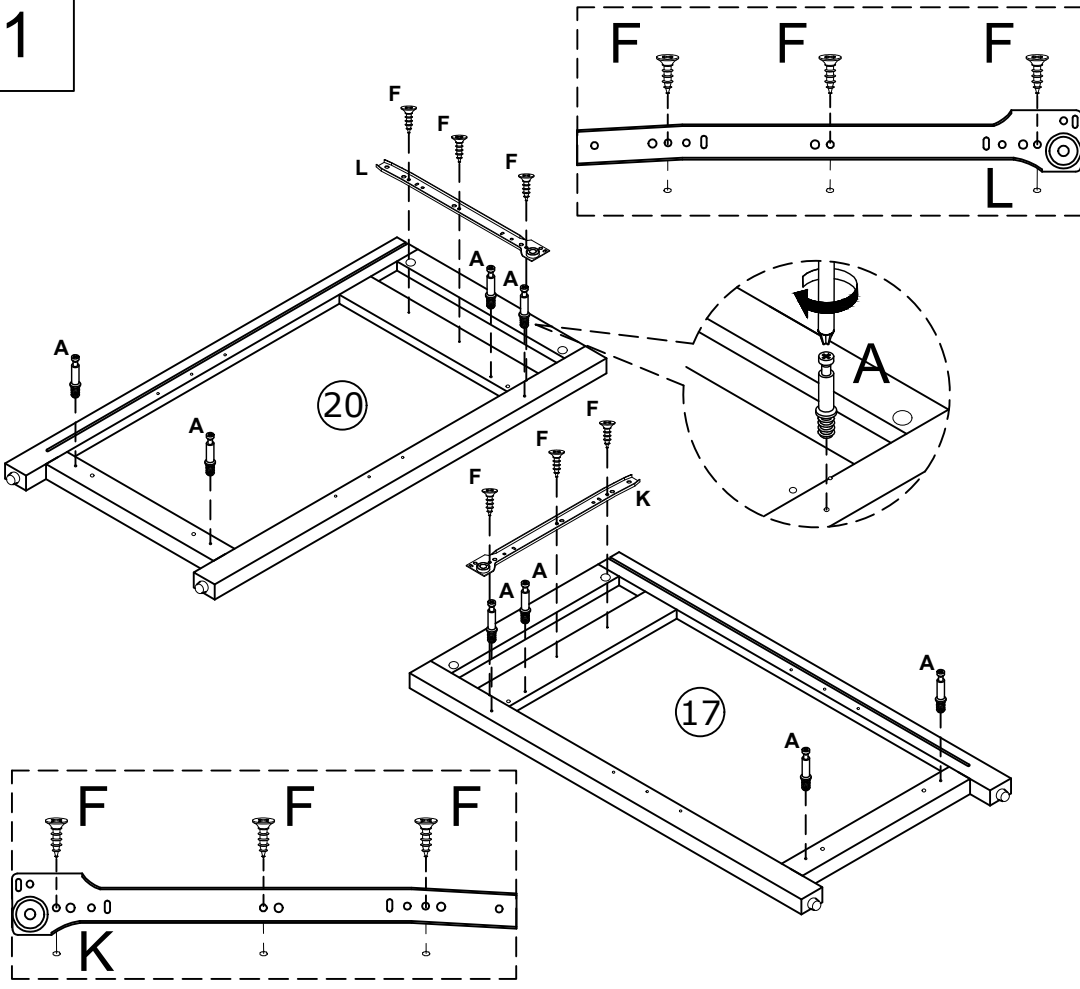


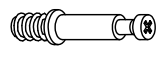
45

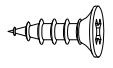
x2

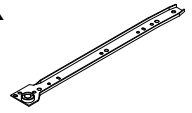


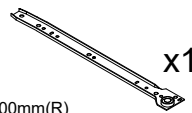
1



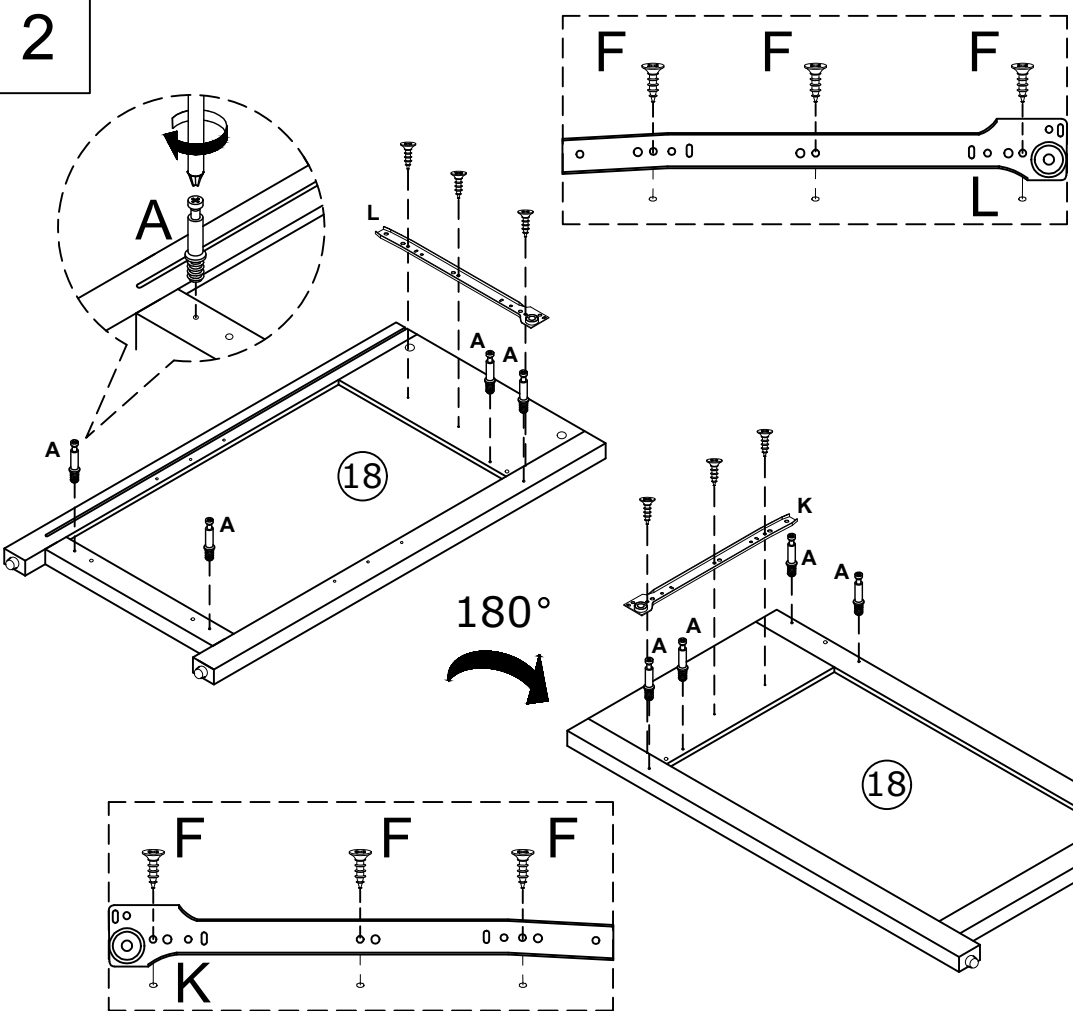
A

 Ø6x35mm x8

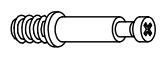
F

 Ø3.5x12mm x6

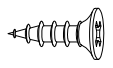
K

 L300mm(L) x1

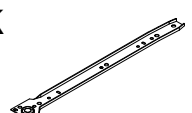
L

 L300mm(R) x1

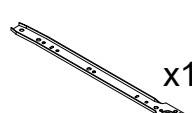
2



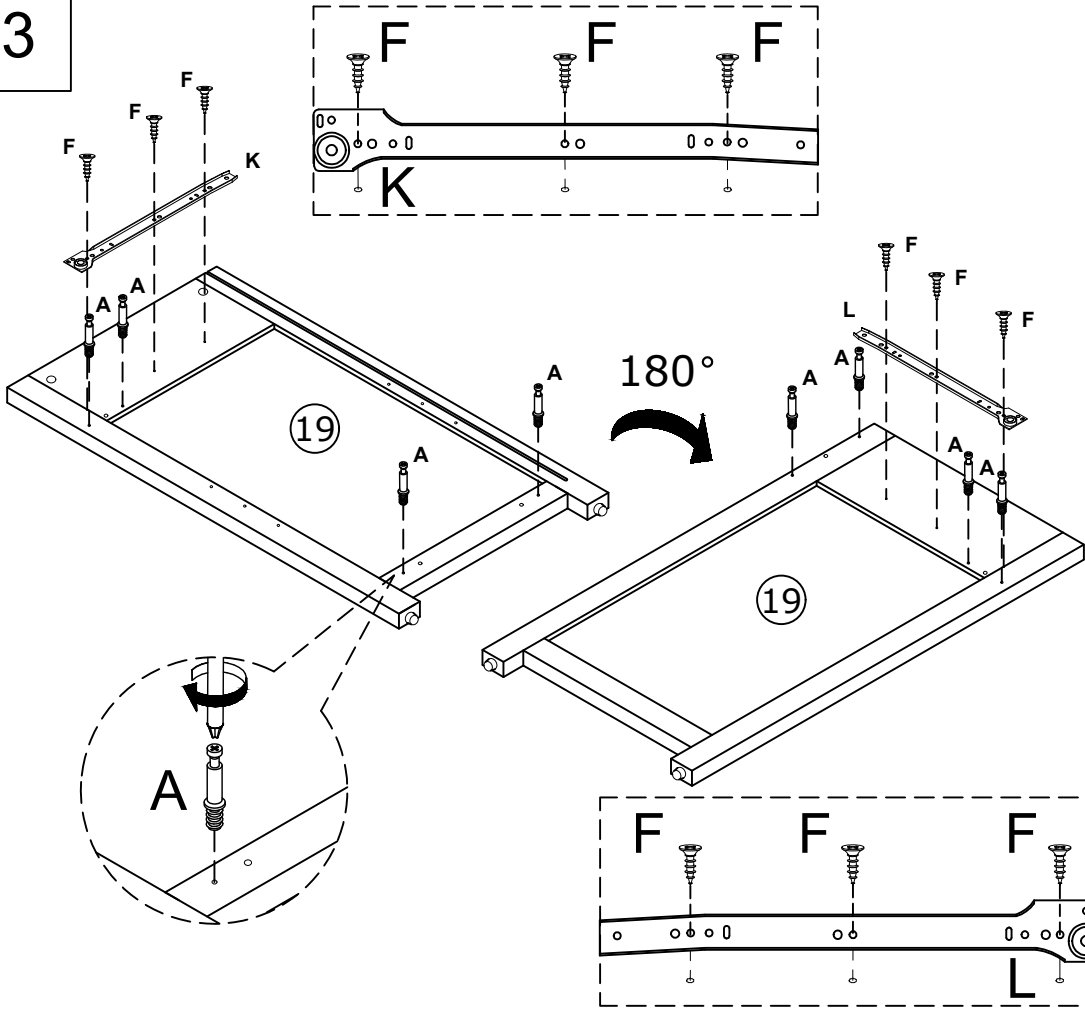
A

 Ø6x35mm x8

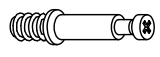
F

 Ø3.5x12mm x6

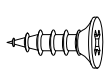
K

 L300mm(L) x1

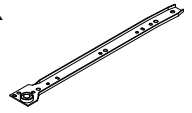
L

 L300mm(R) x1

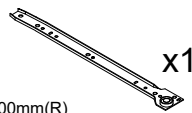
3



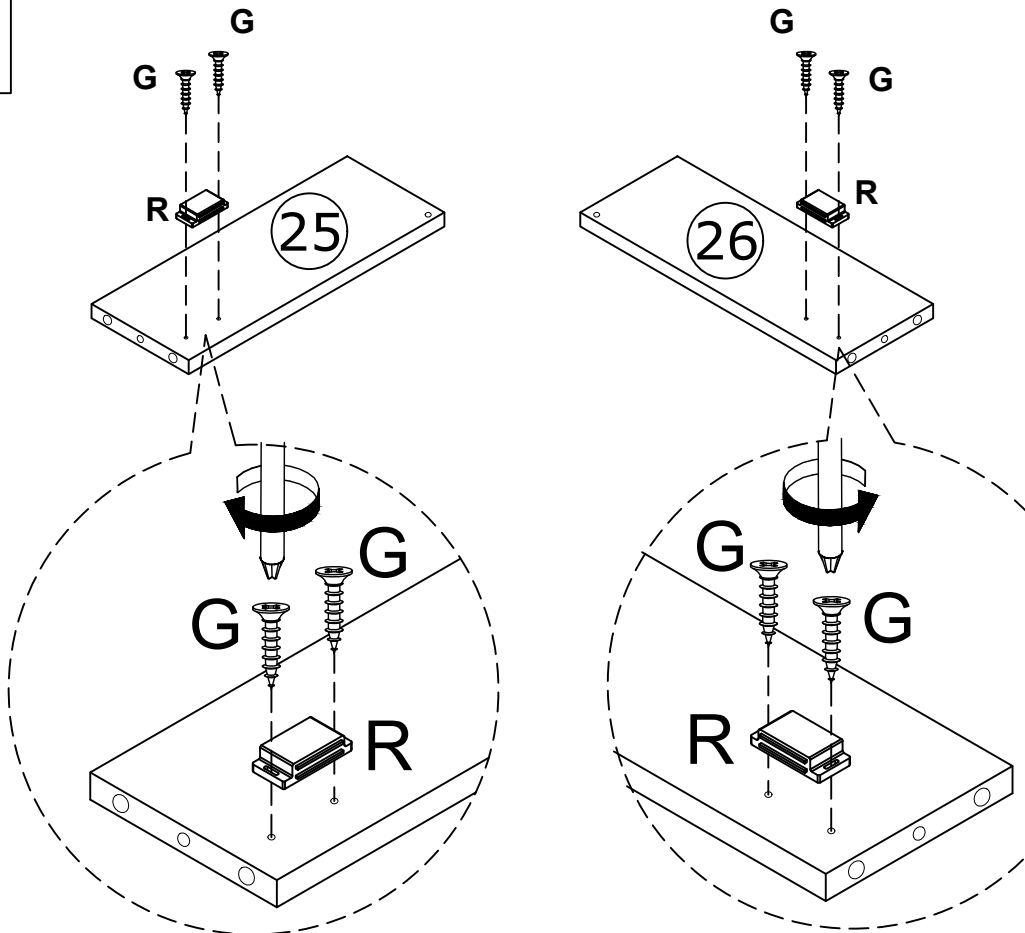
A

 Ø6x35mm x8


F

 Ø3.5x12mm x6


K

 L300mm(L) x1

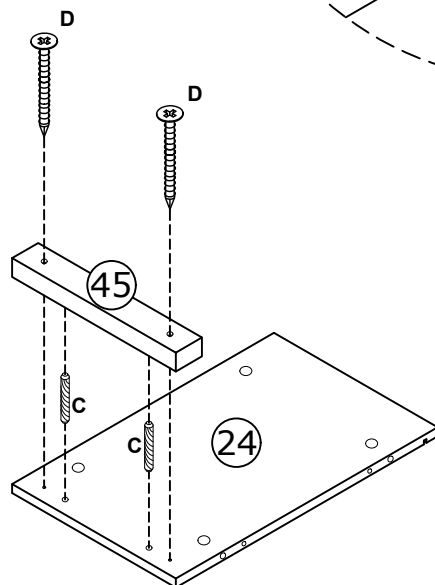
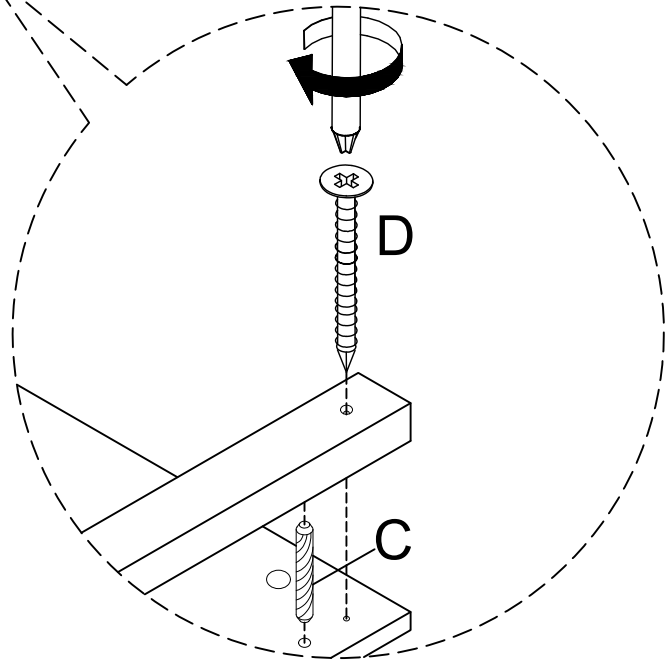
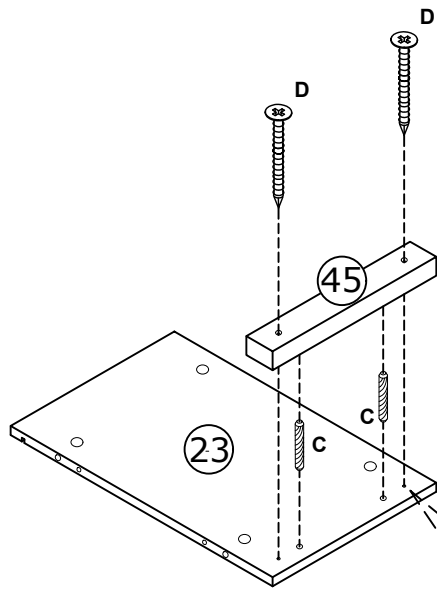
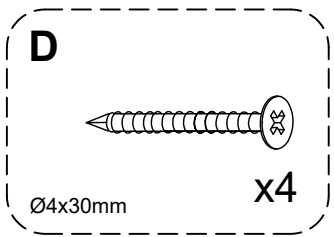
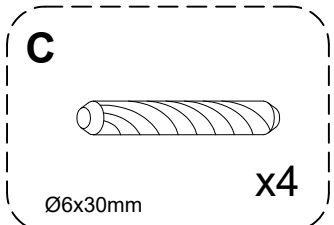
L

 L300mm(R) x1

4

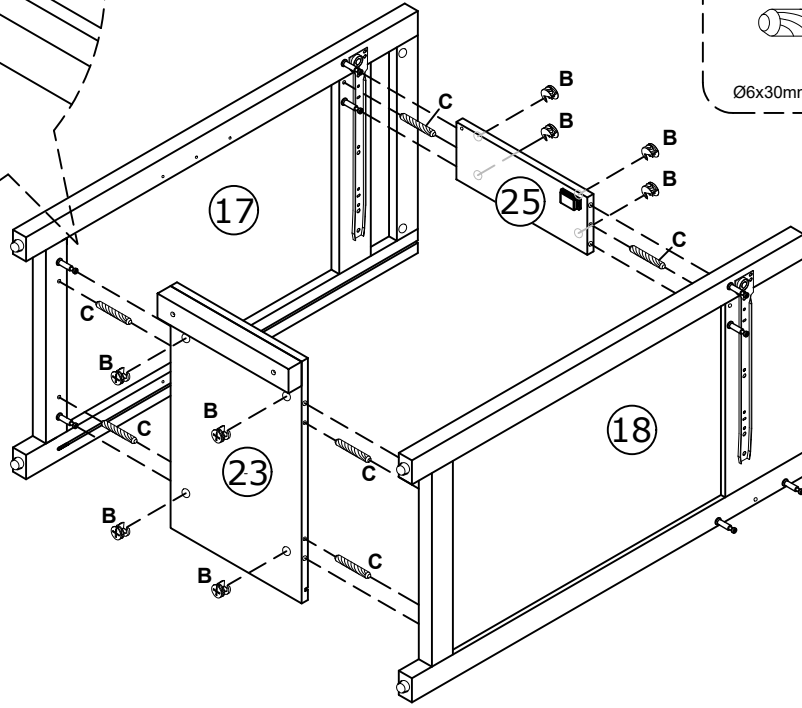
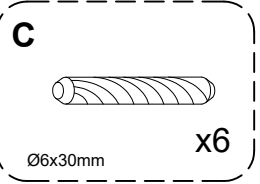
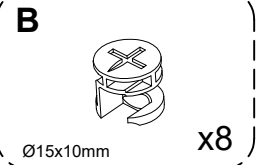
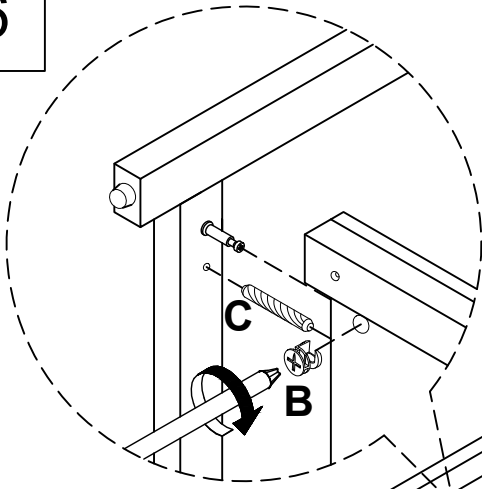


G

 Ø3x14mm x4

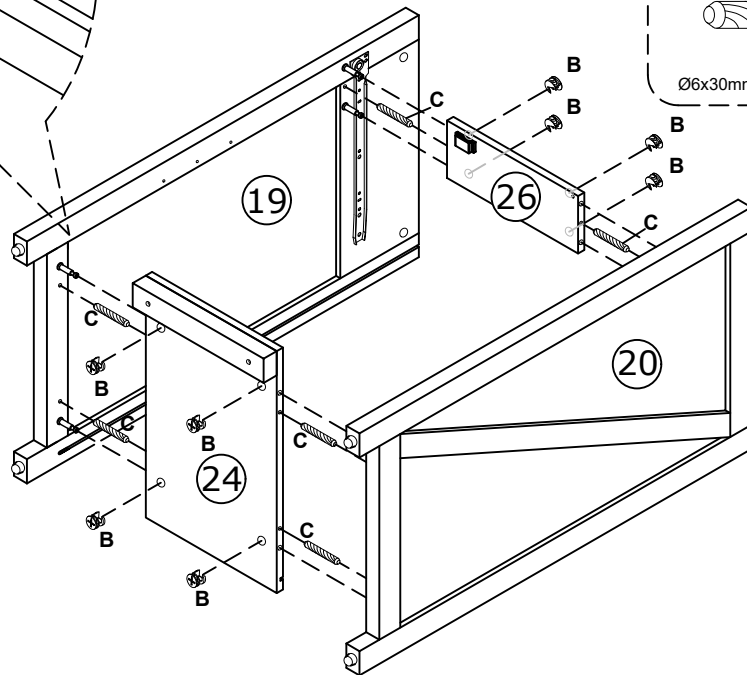
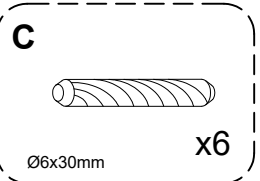
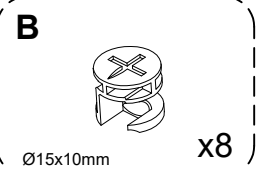
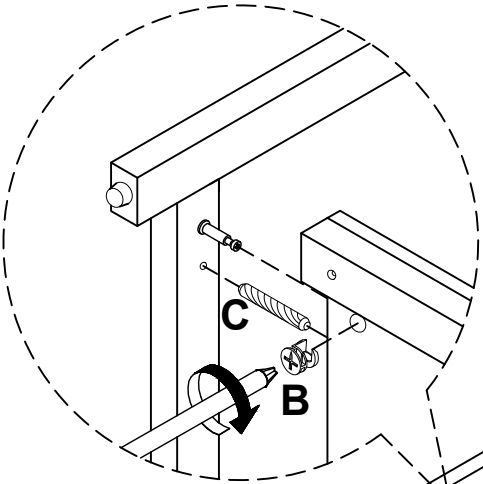
R

 L=36mm x2

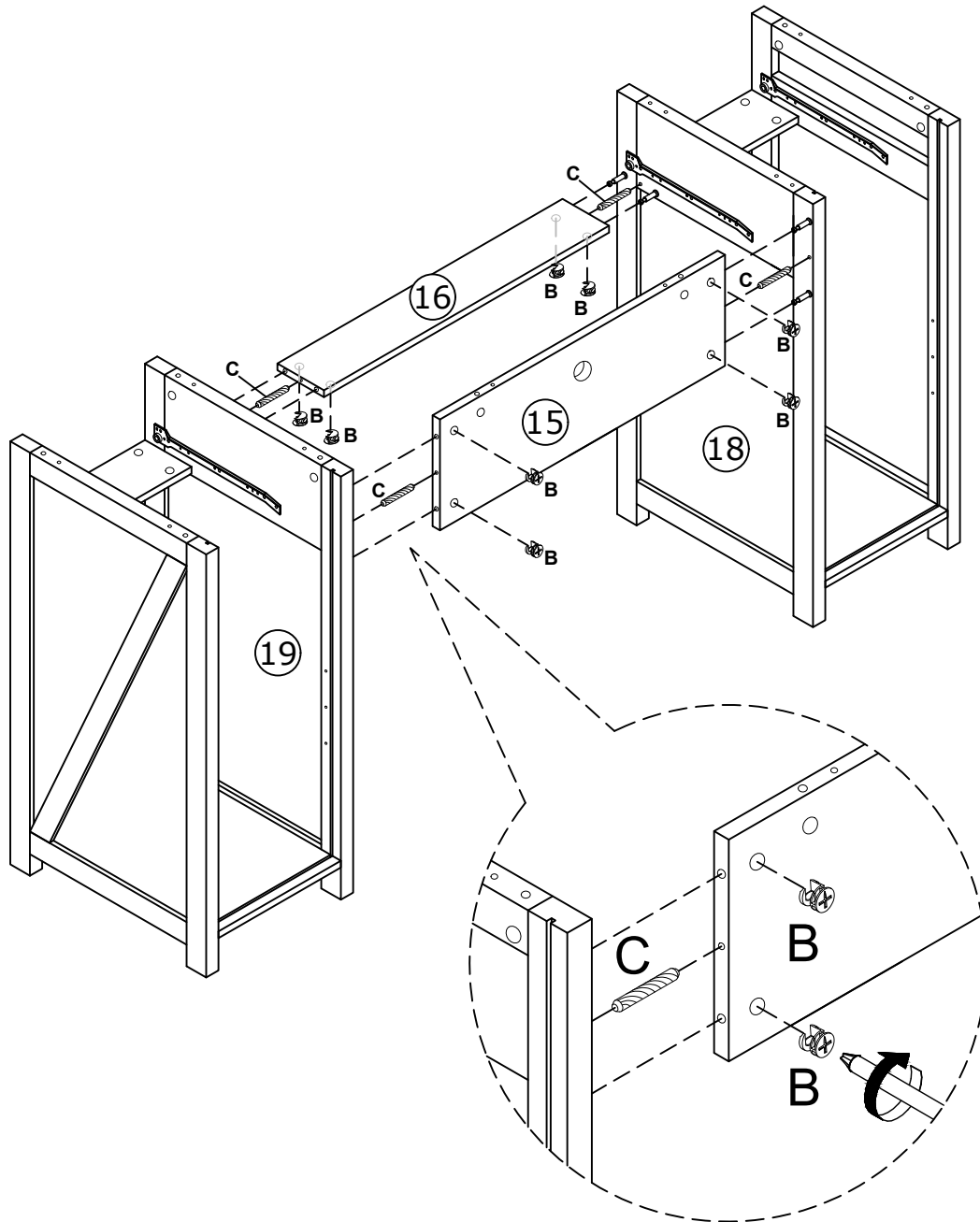
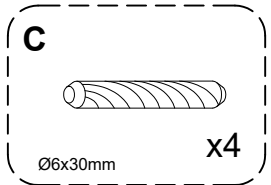
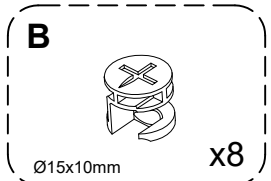


6

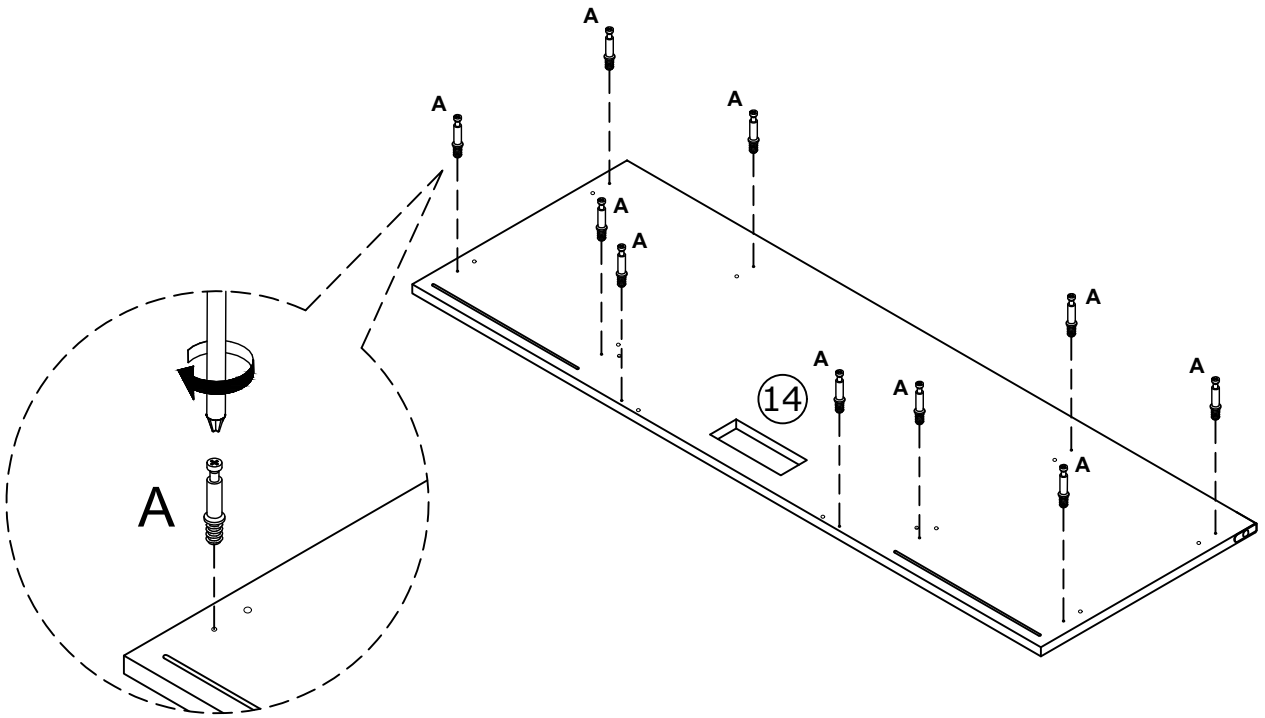
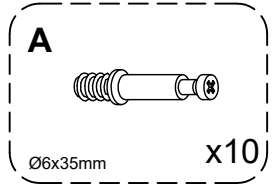


7

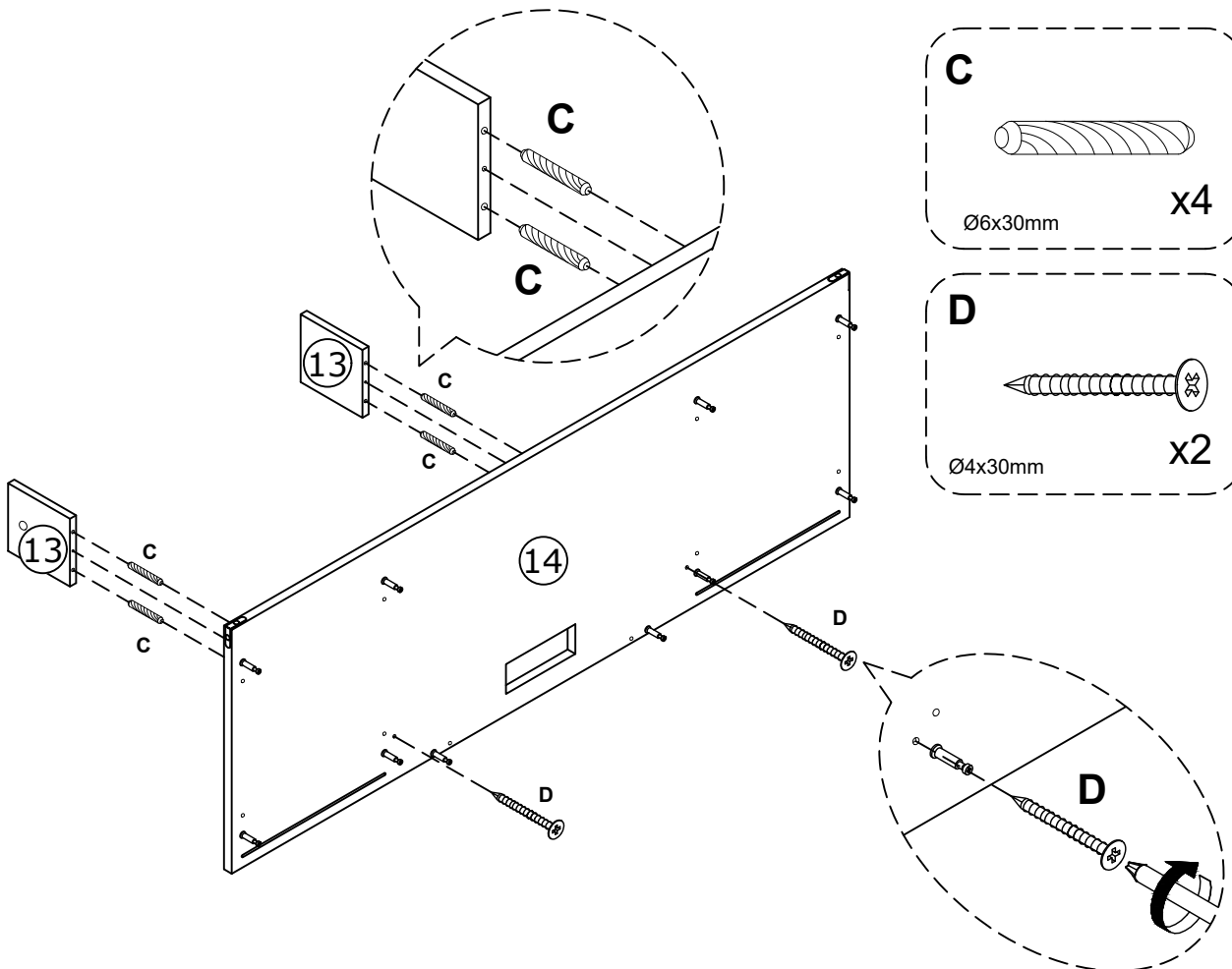
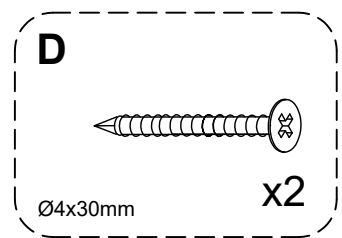
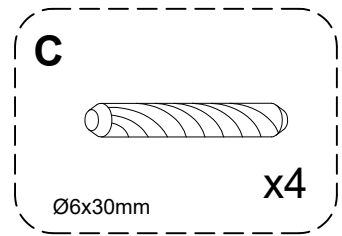


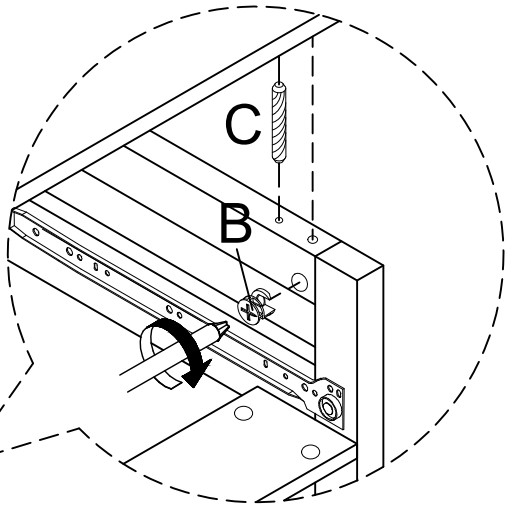
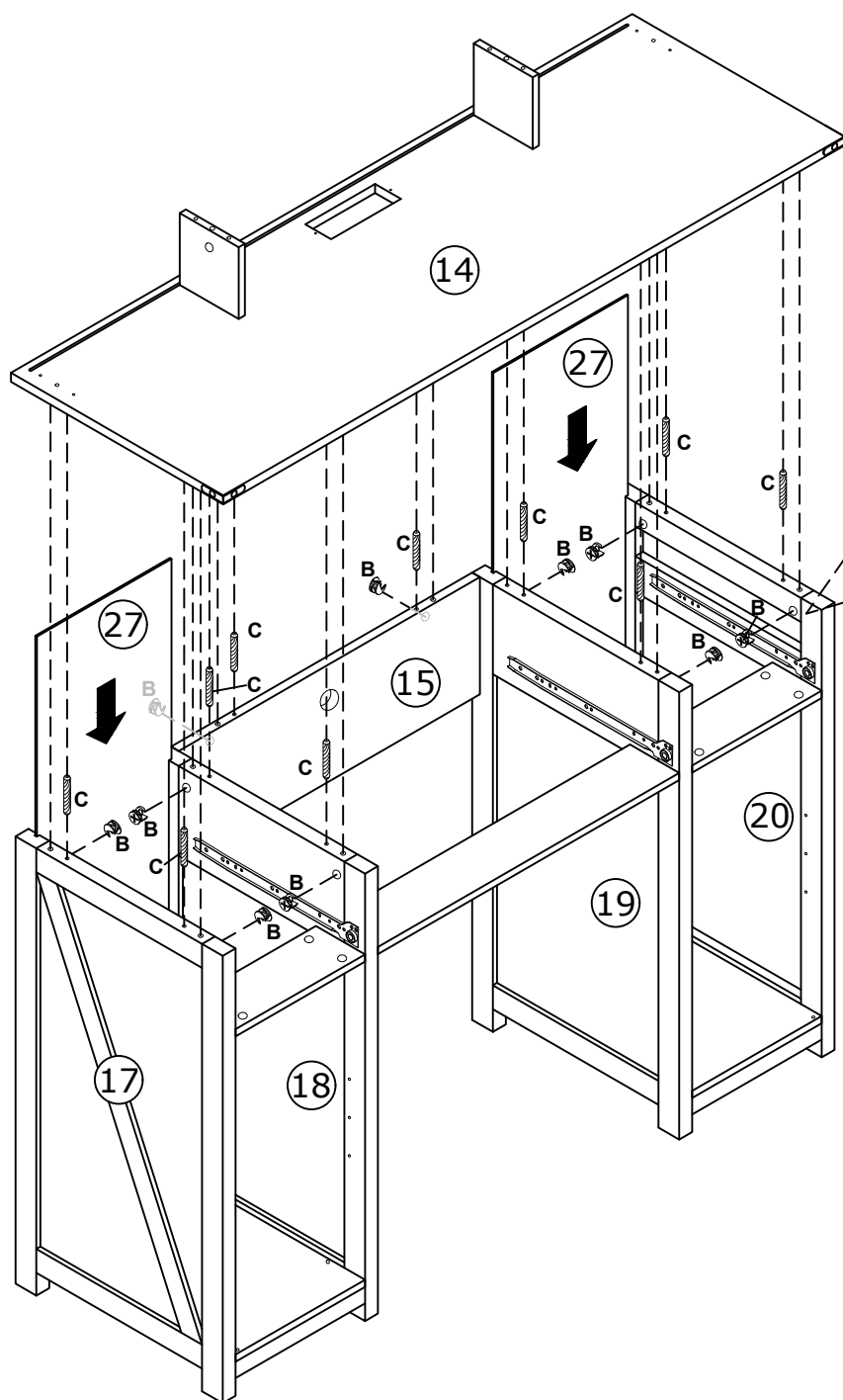
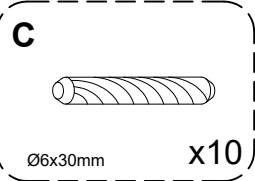
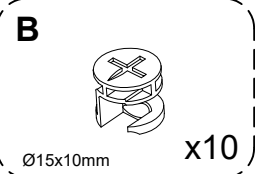


9

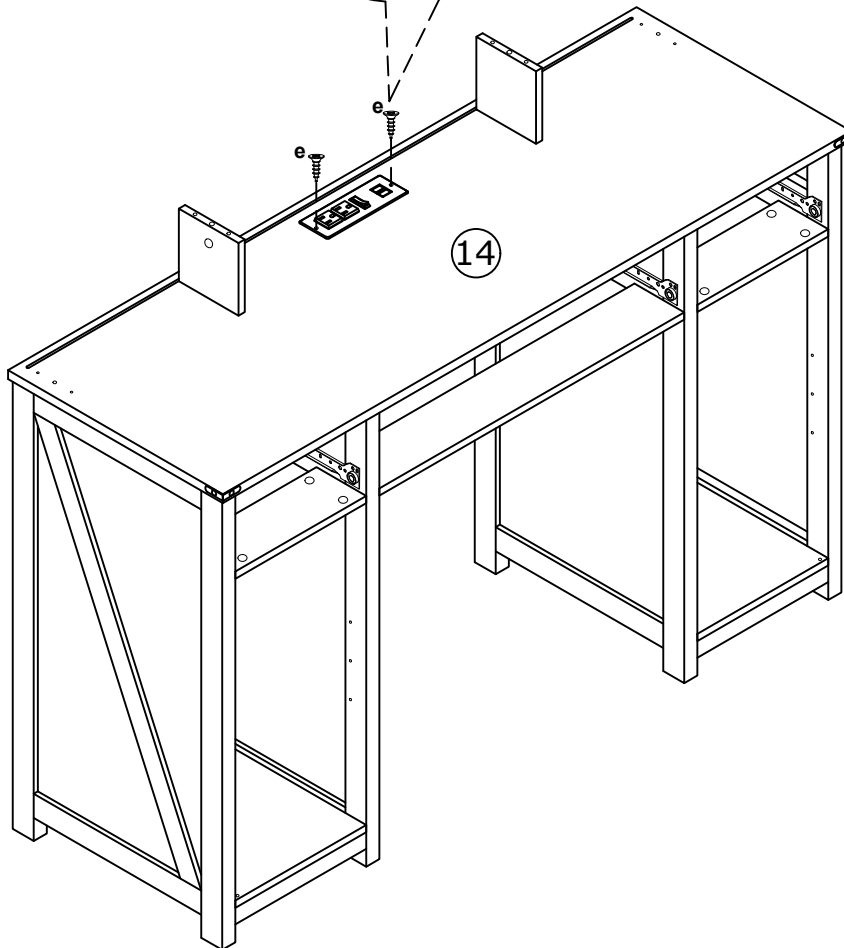
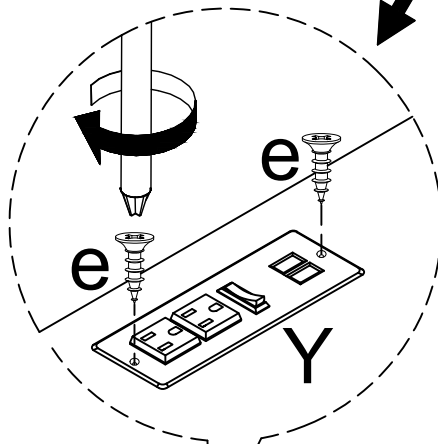
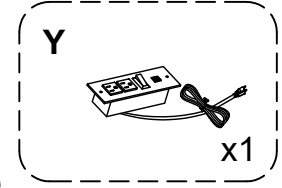
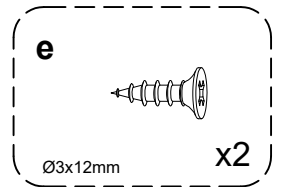
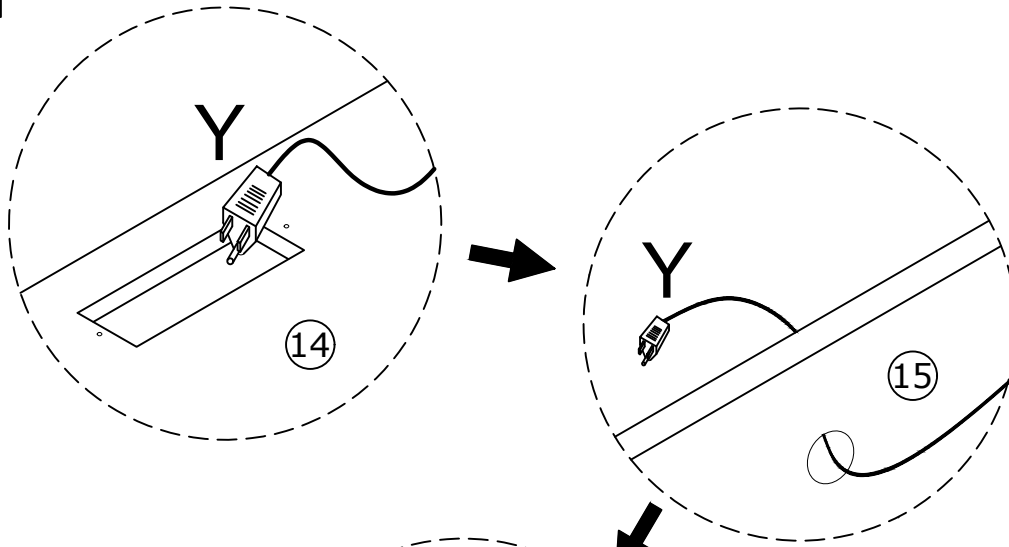


10

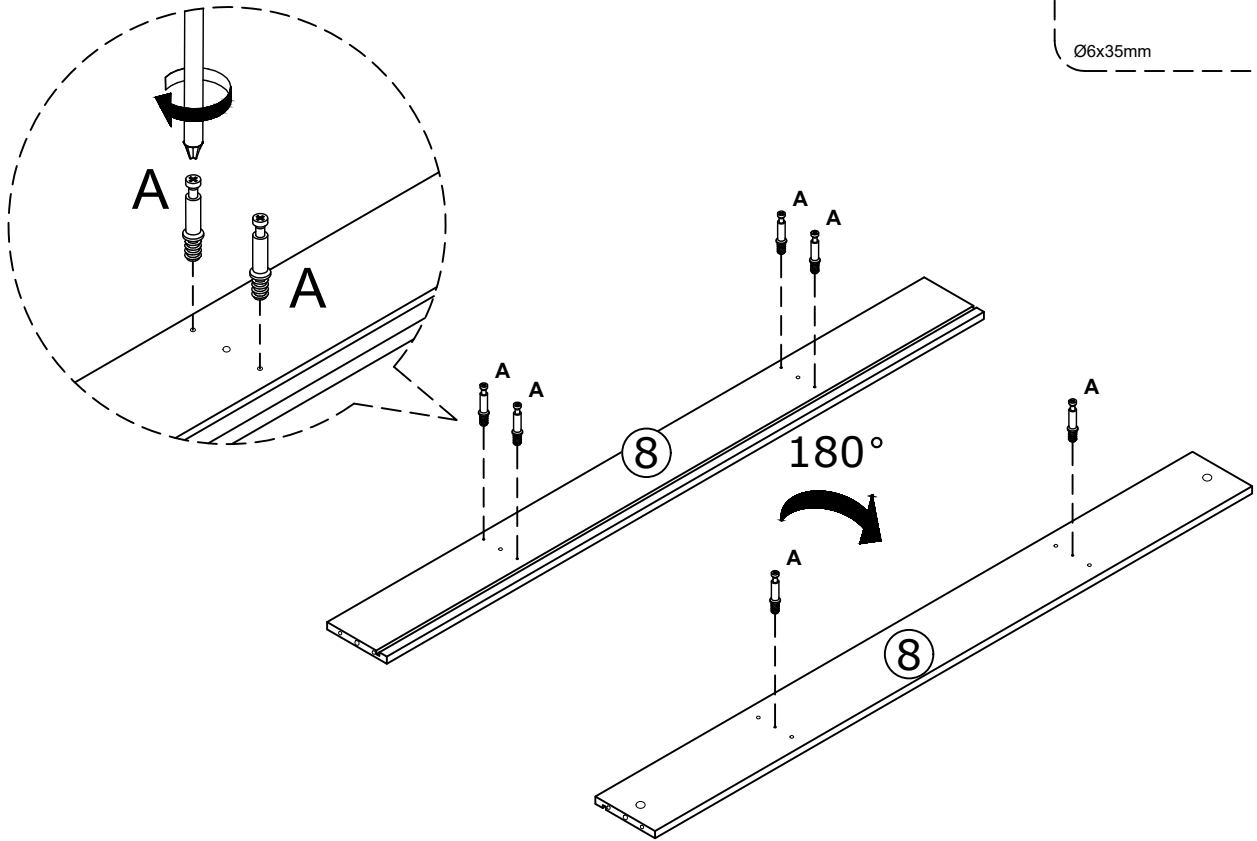




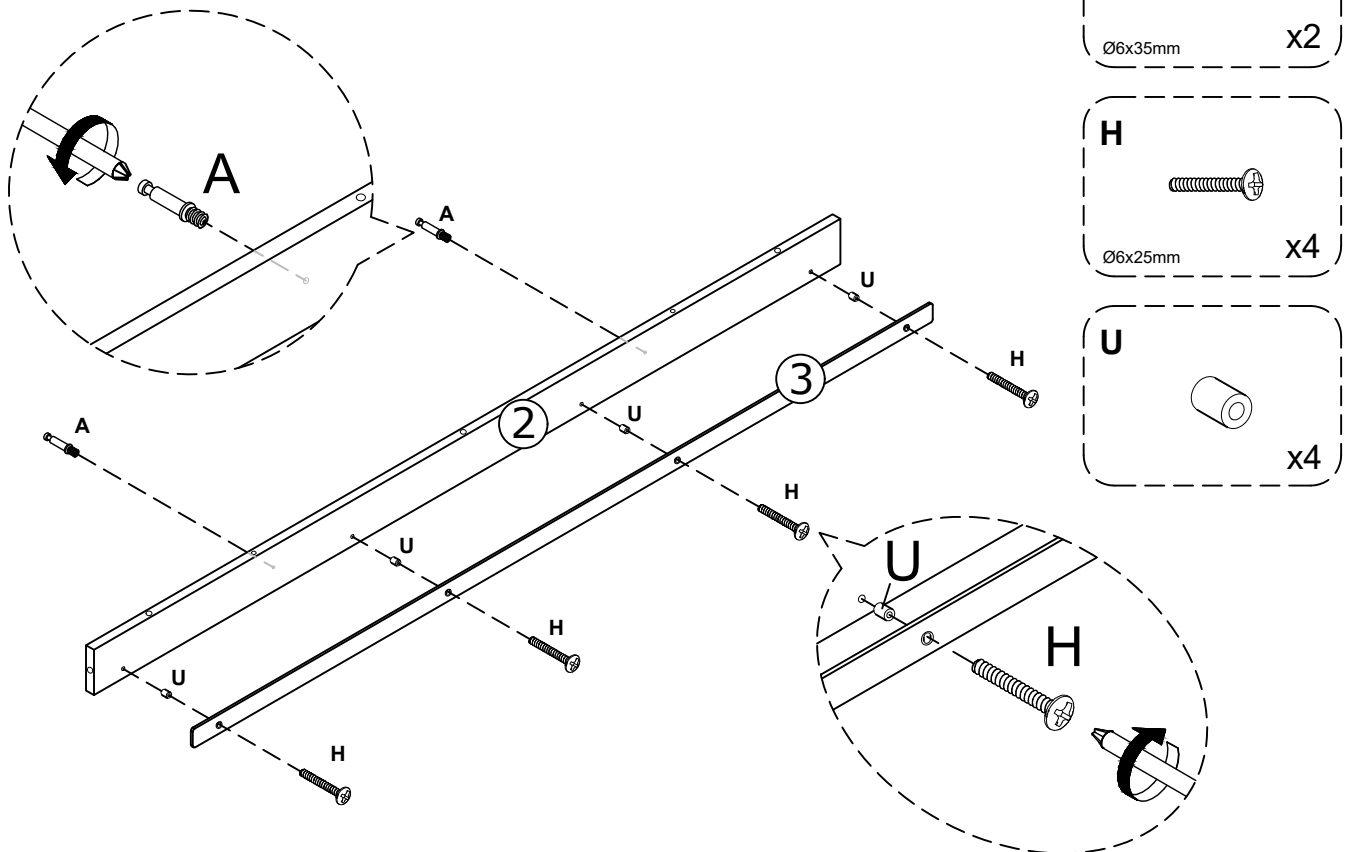
12



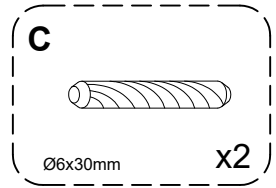
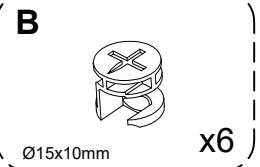
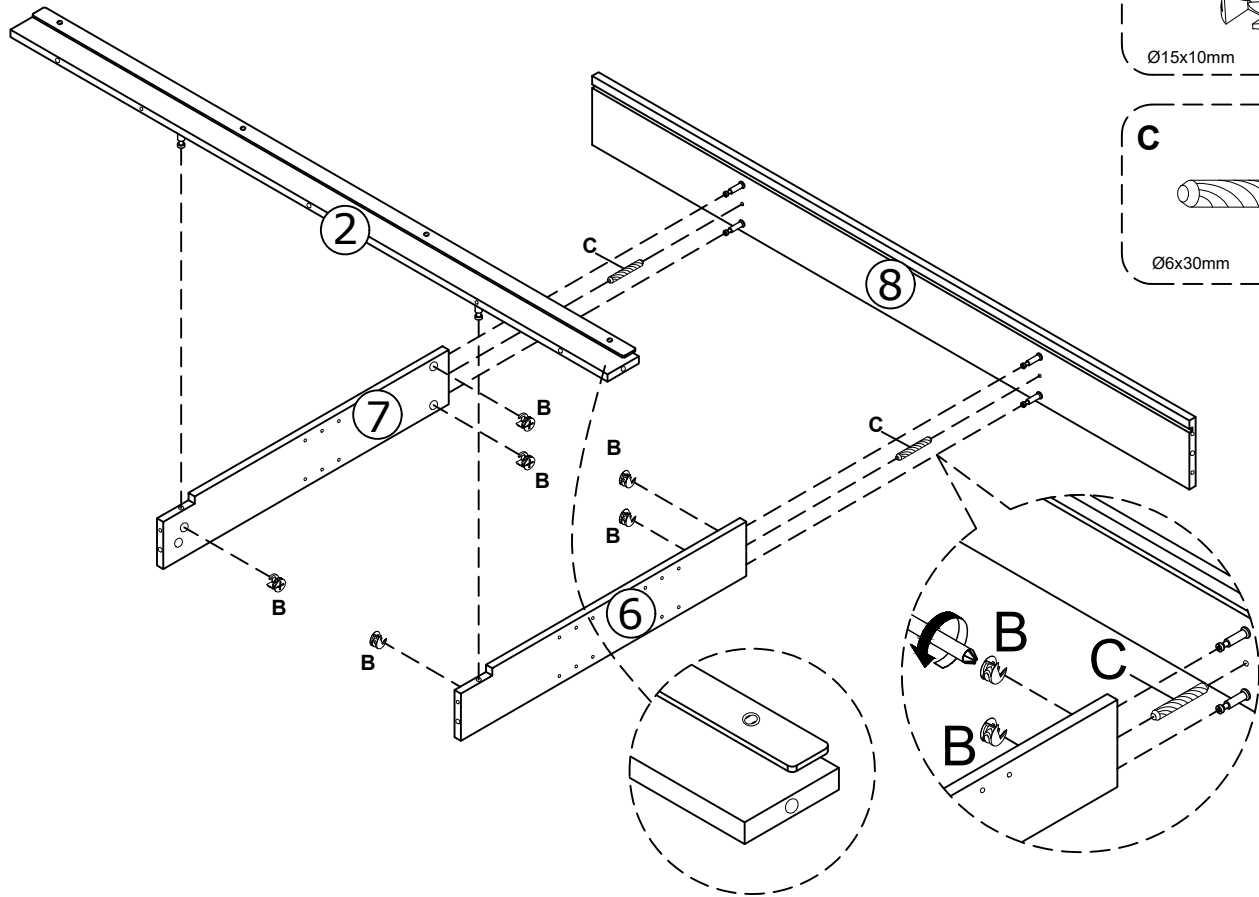
13



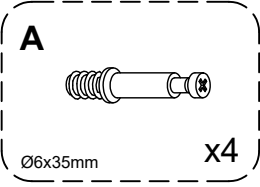
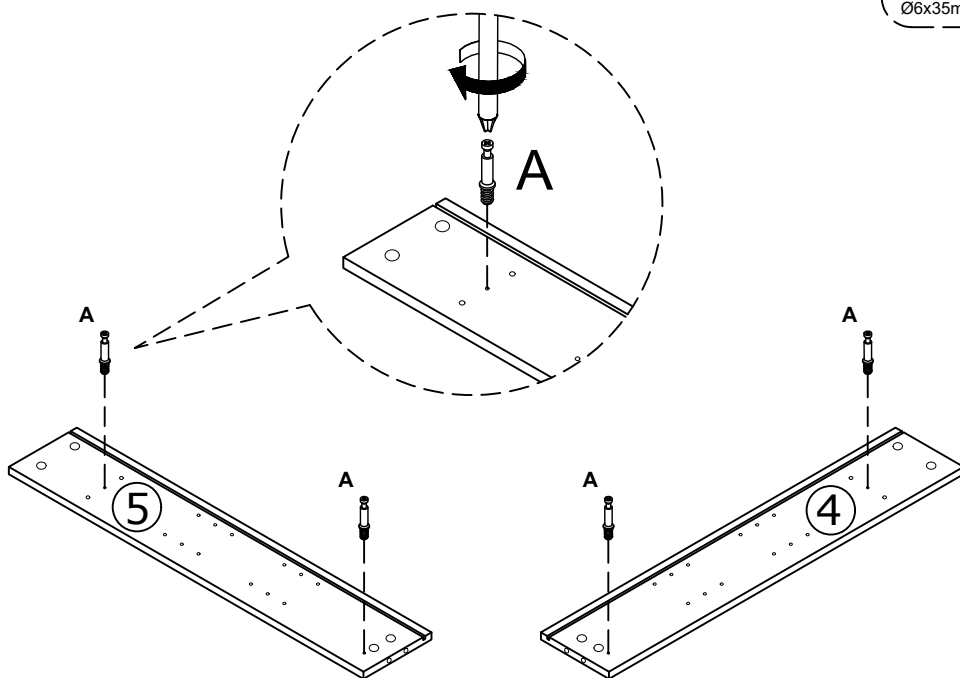
14

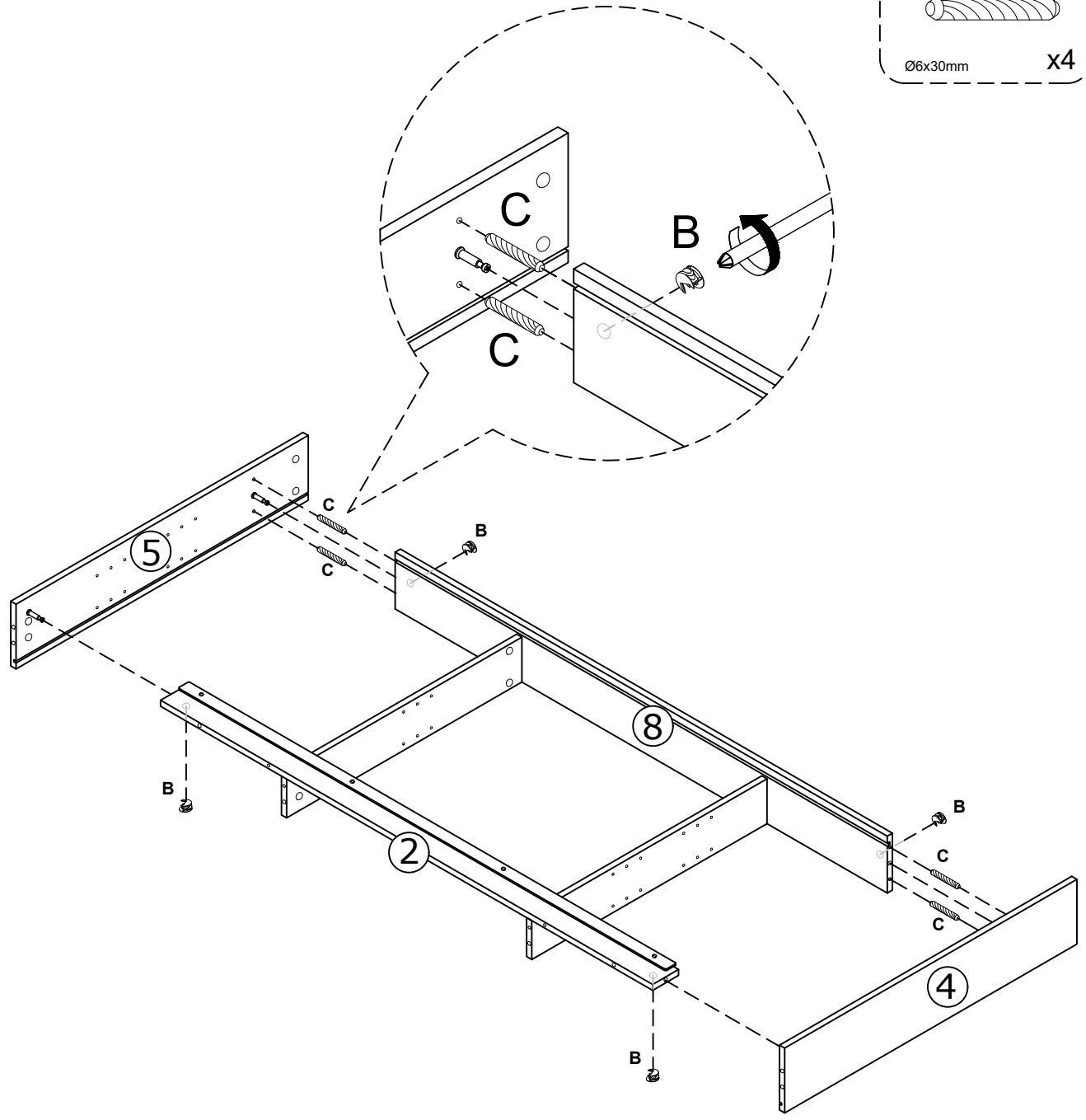
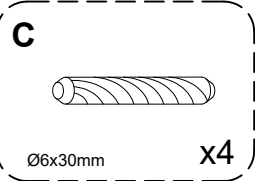
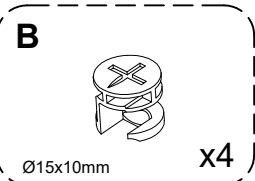


15

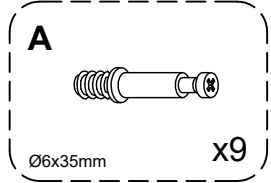
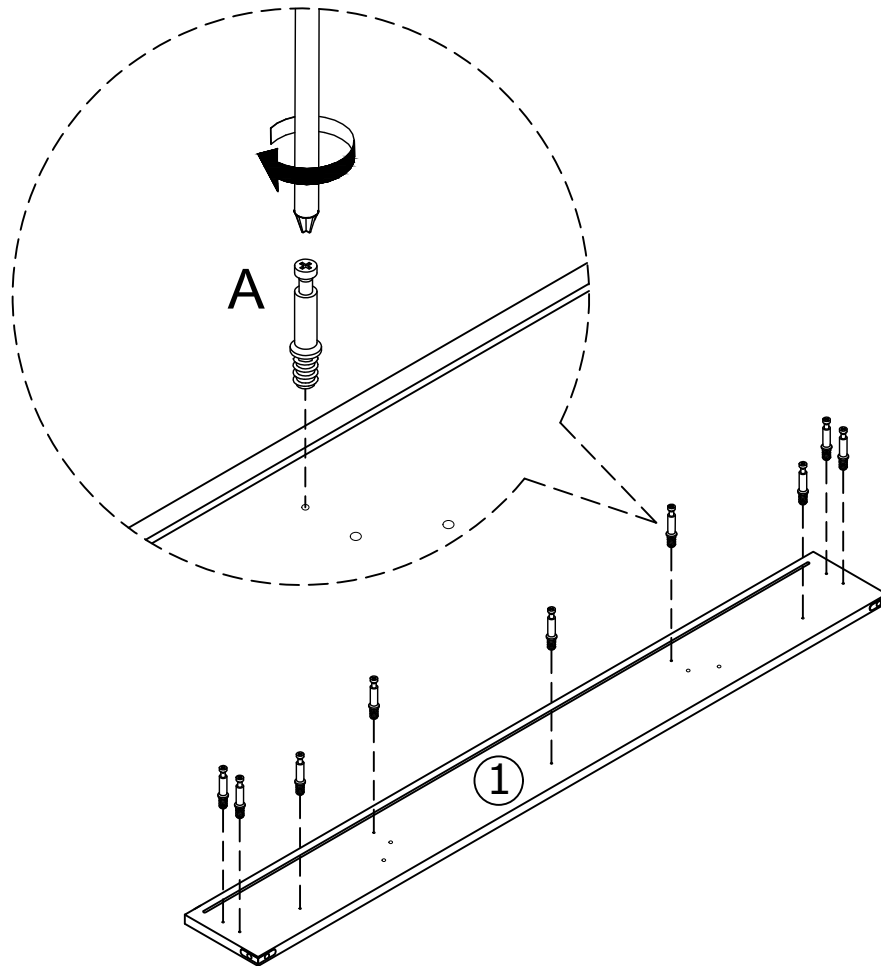


16

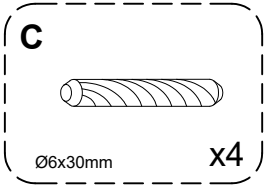
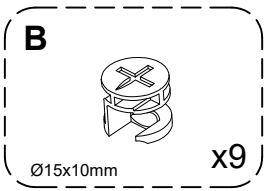
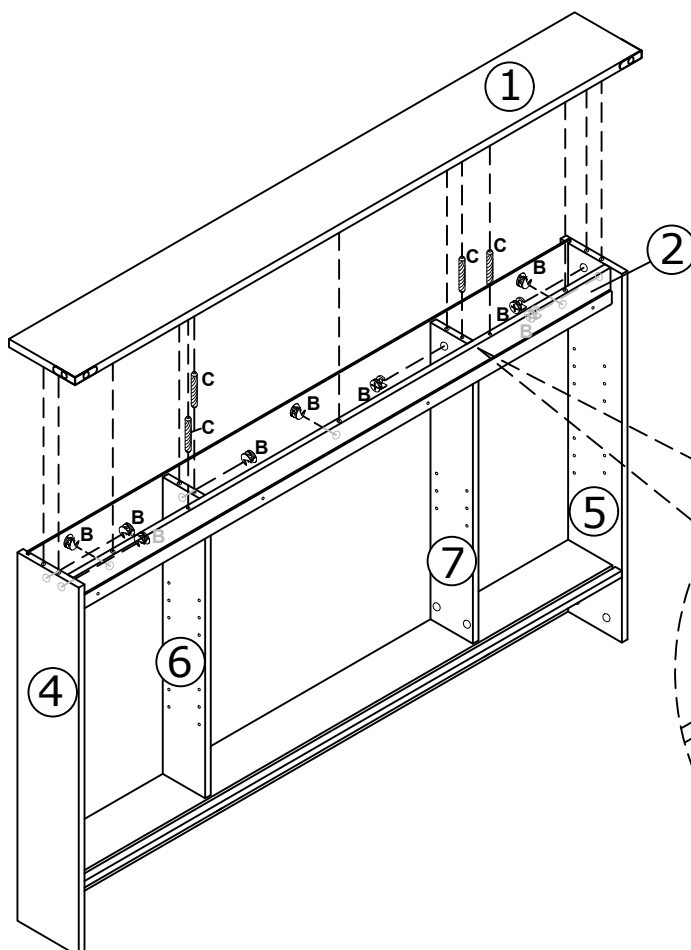


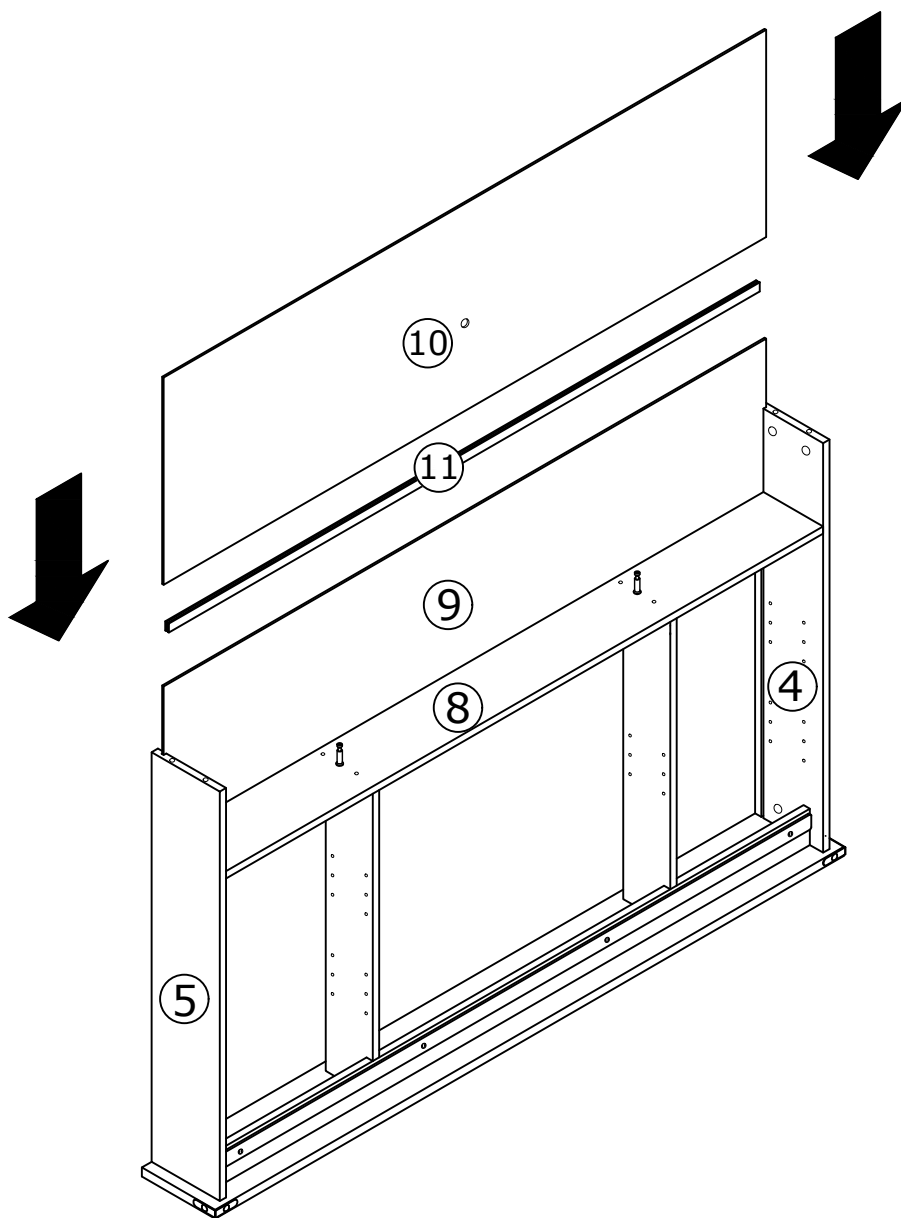


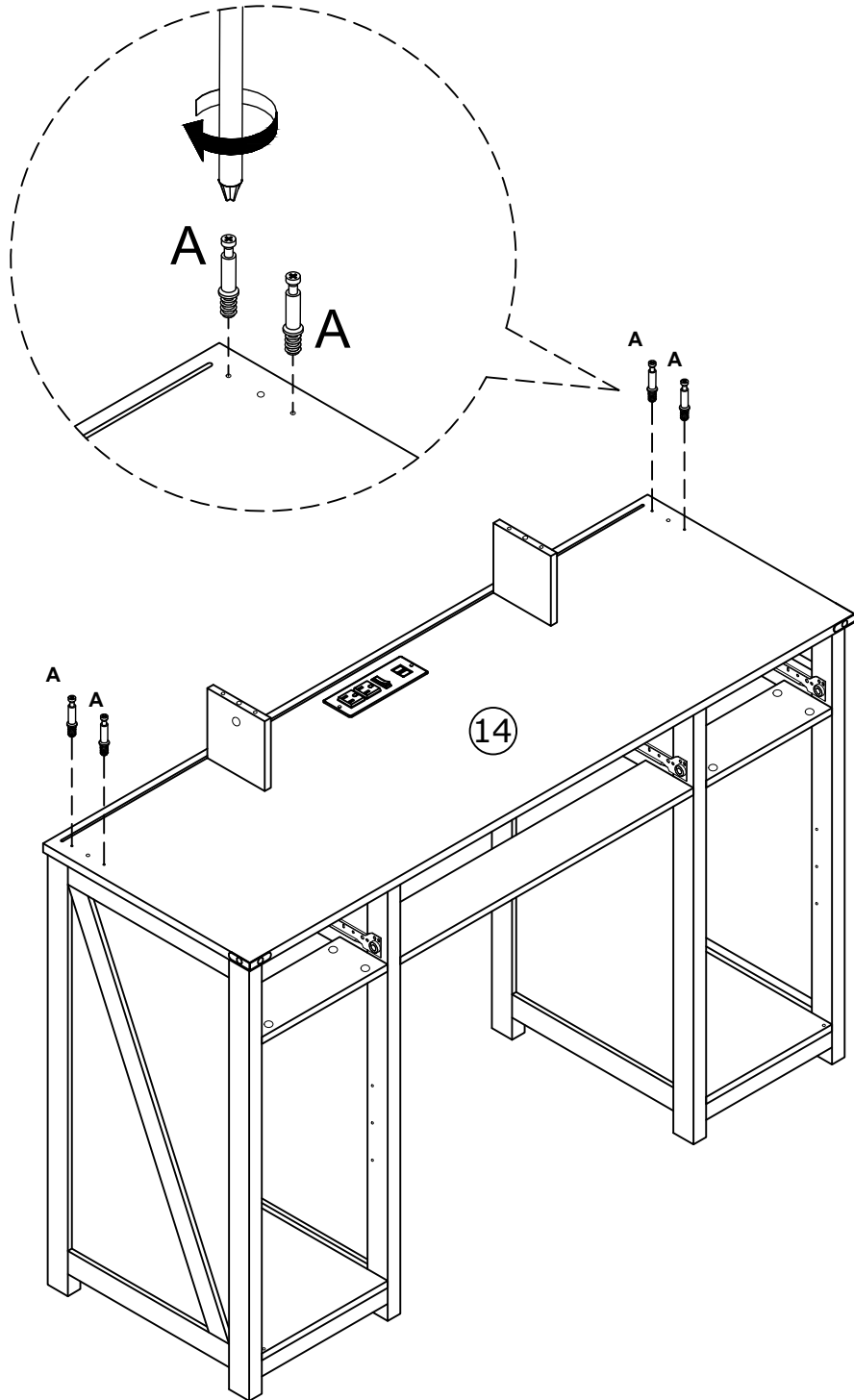
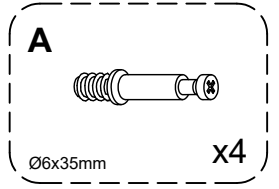
18

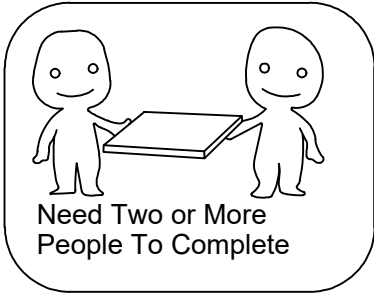



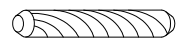
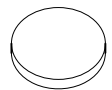
19

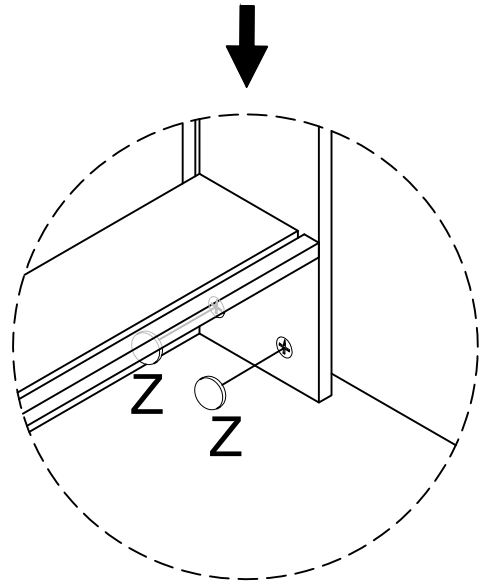
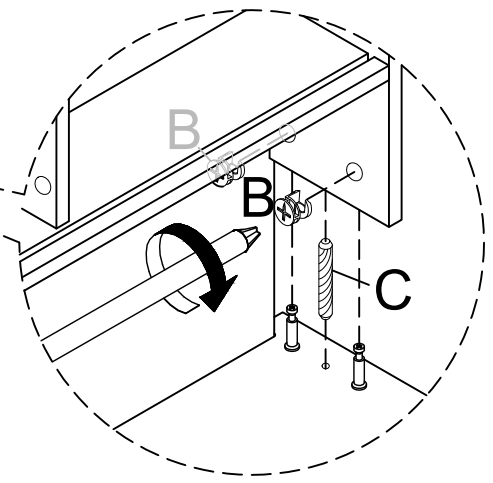
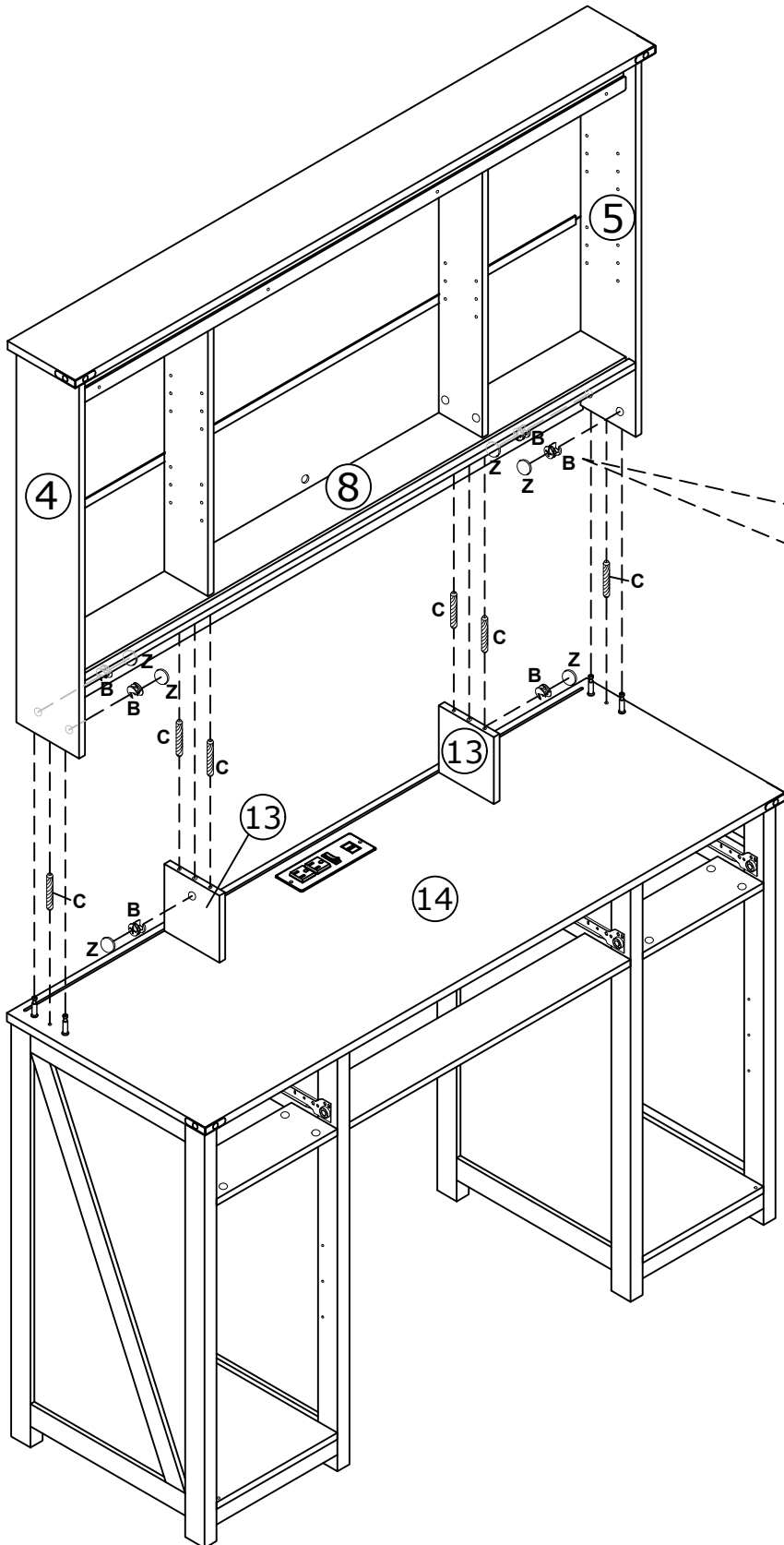


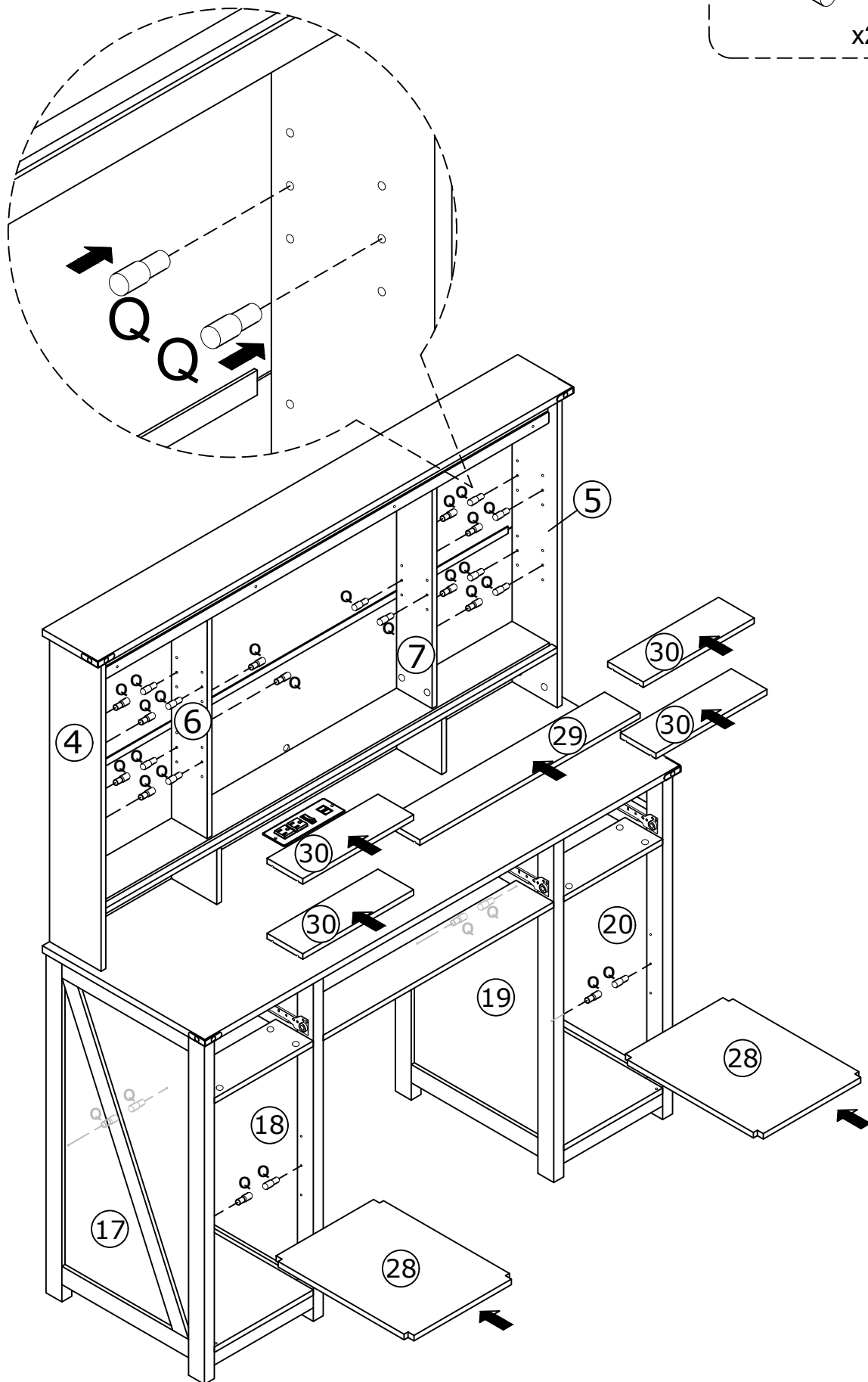
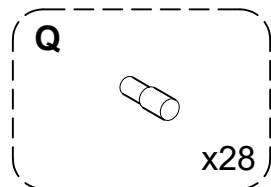


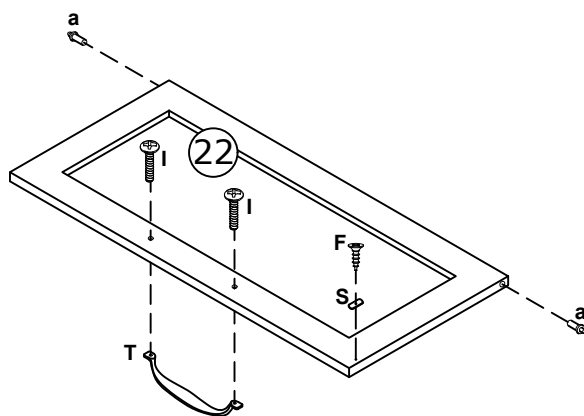
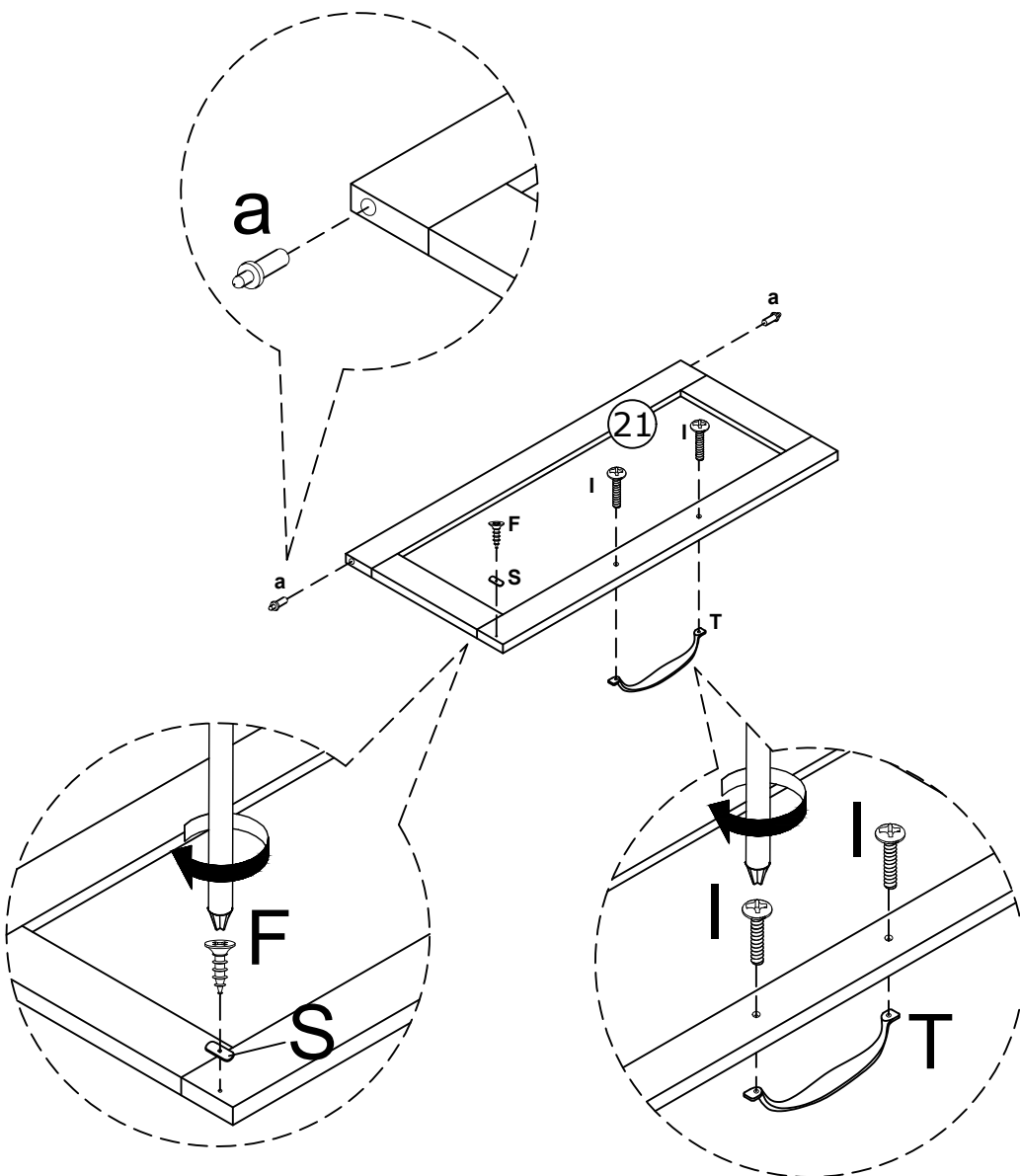
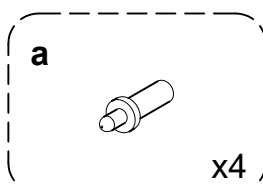
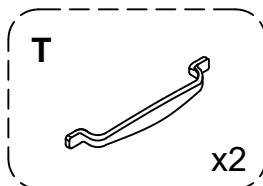
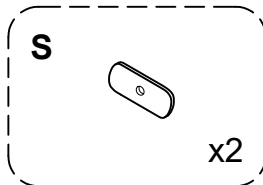
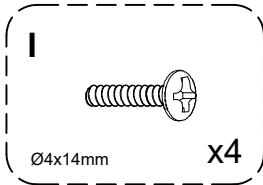
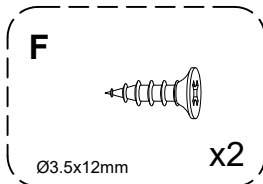


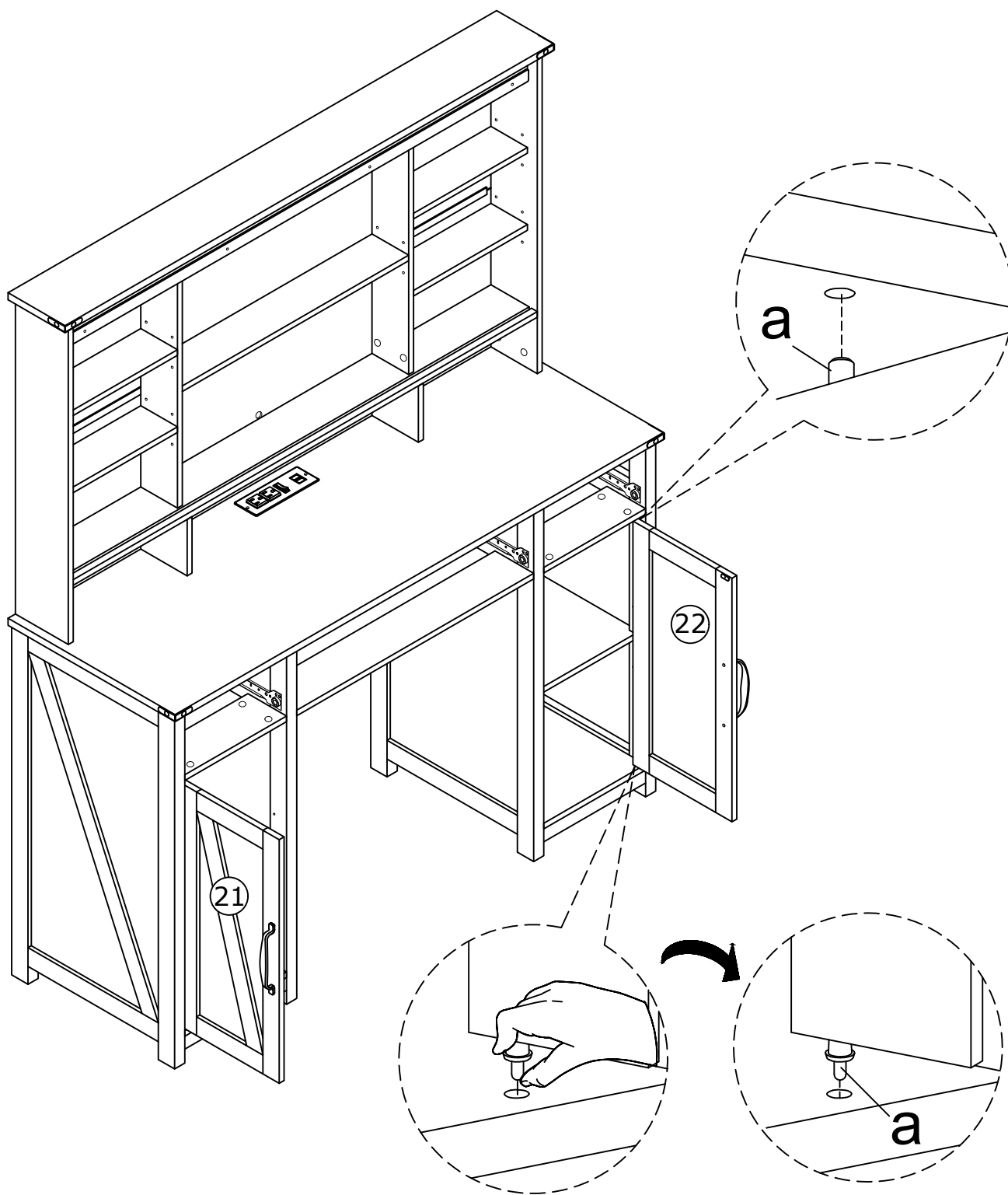


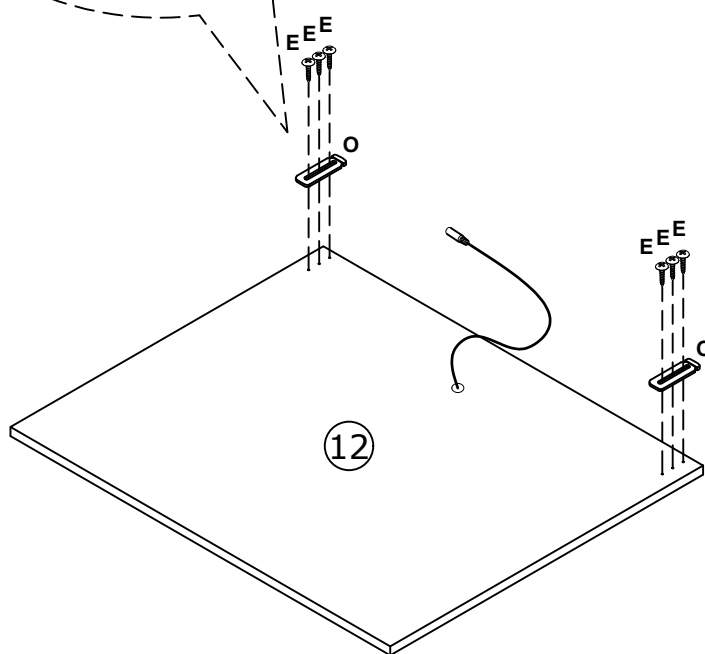
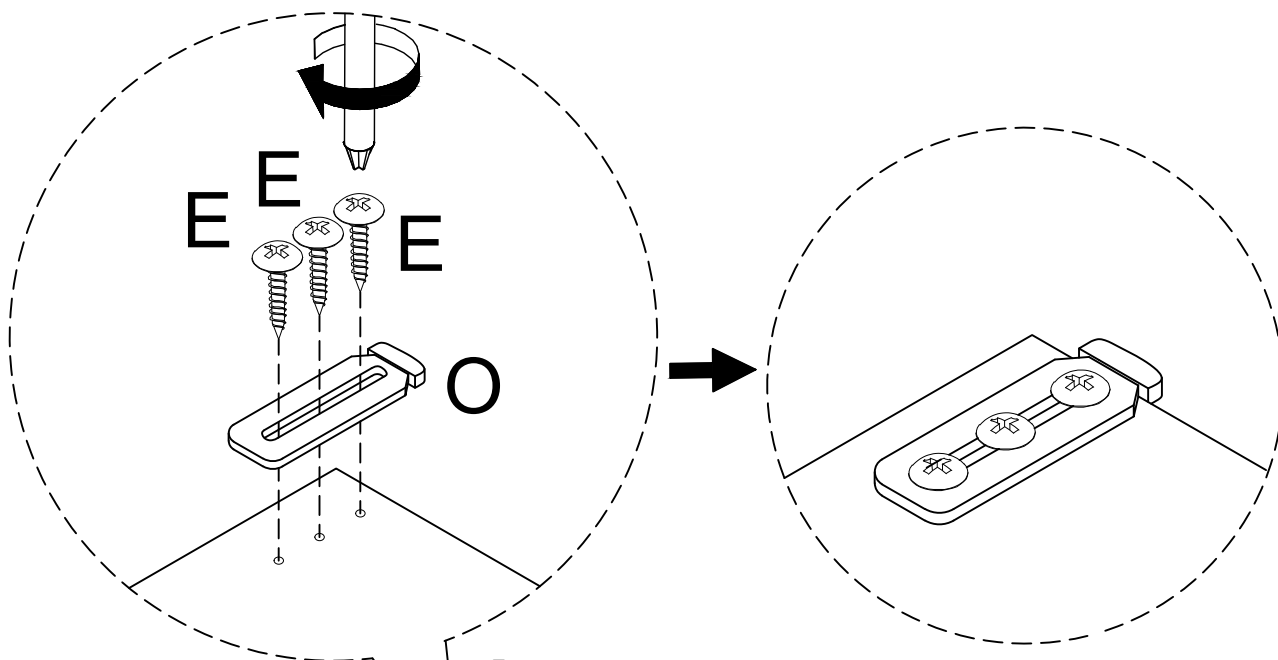
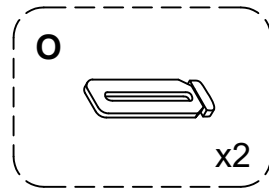
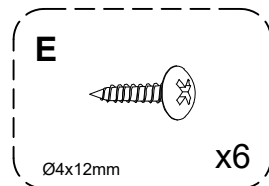
- B**  $\varnothing 15 \times 10 \text{mm}$ x6
- C**  $\varnothing 6 \times 30 \text{mm}$ x6
- Z**  x6

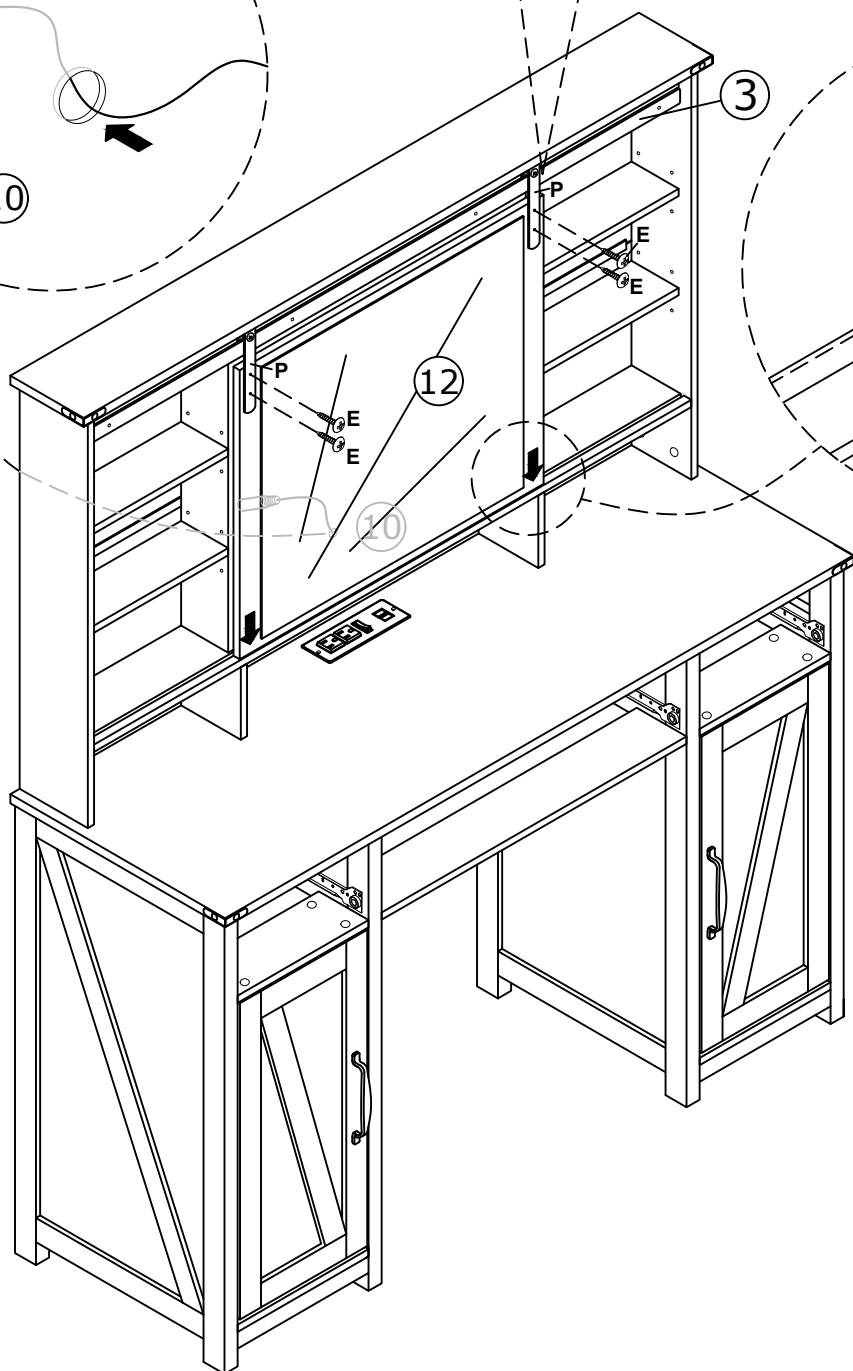
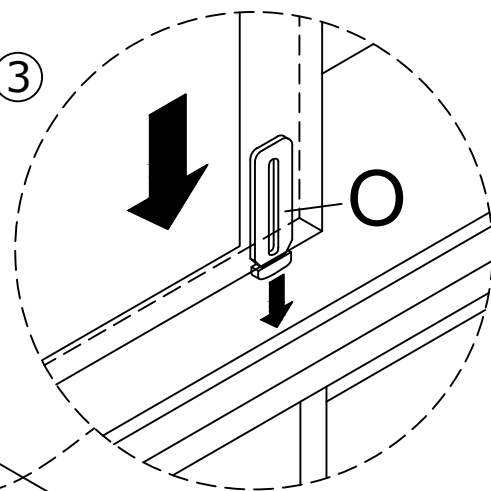
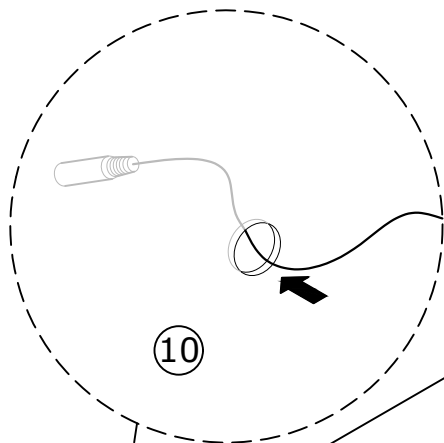
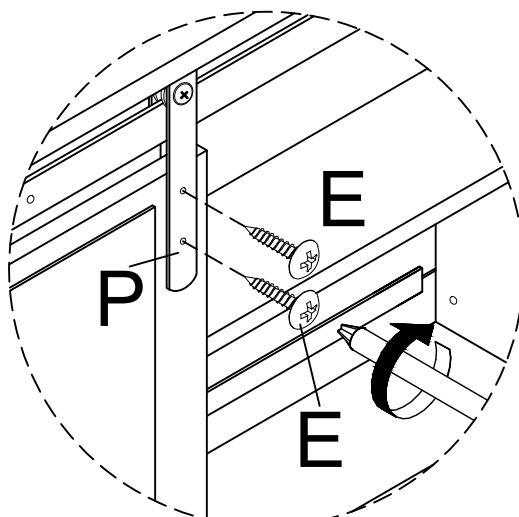
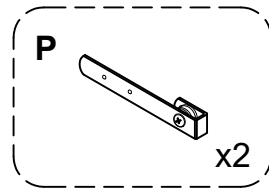
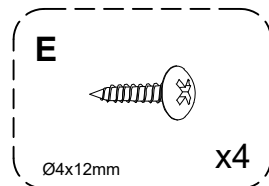




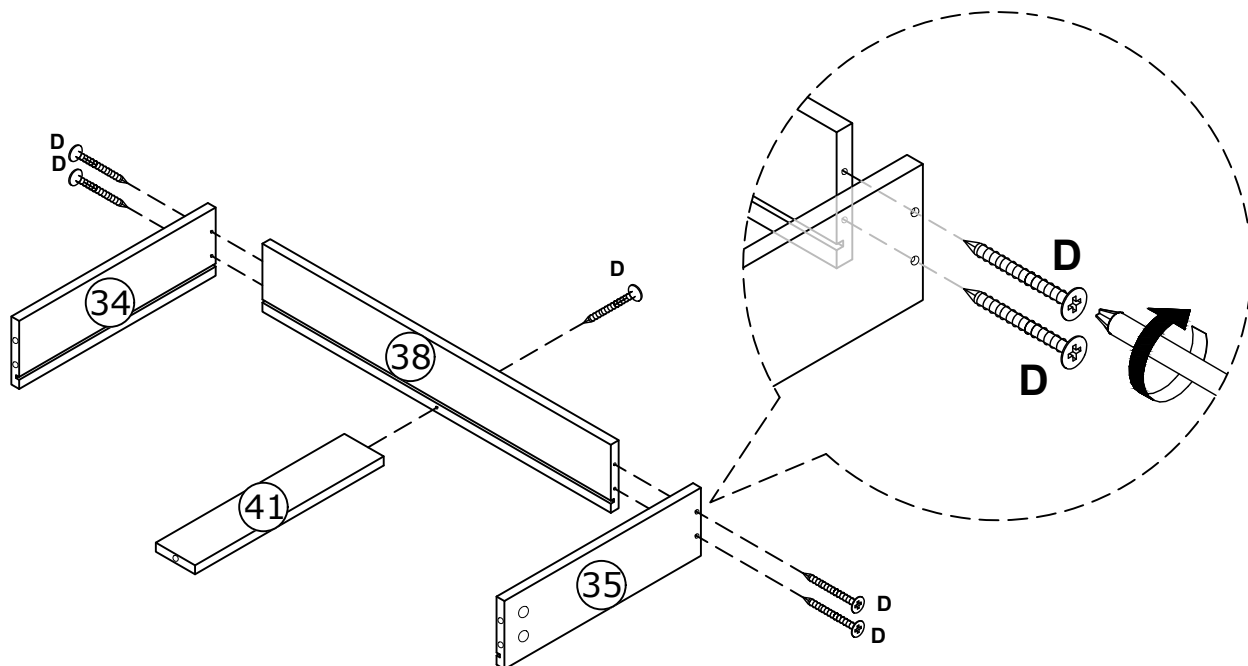
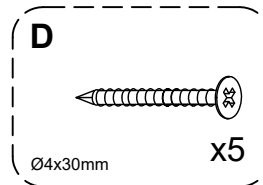




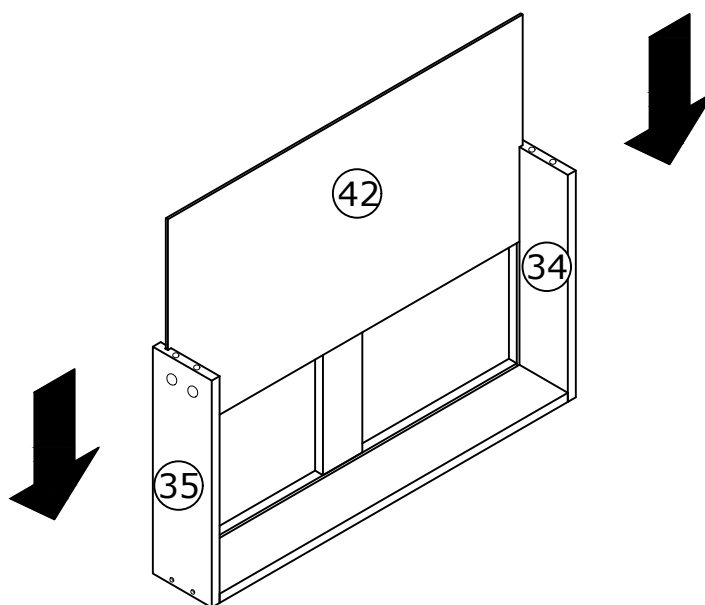




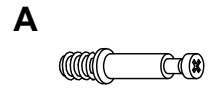
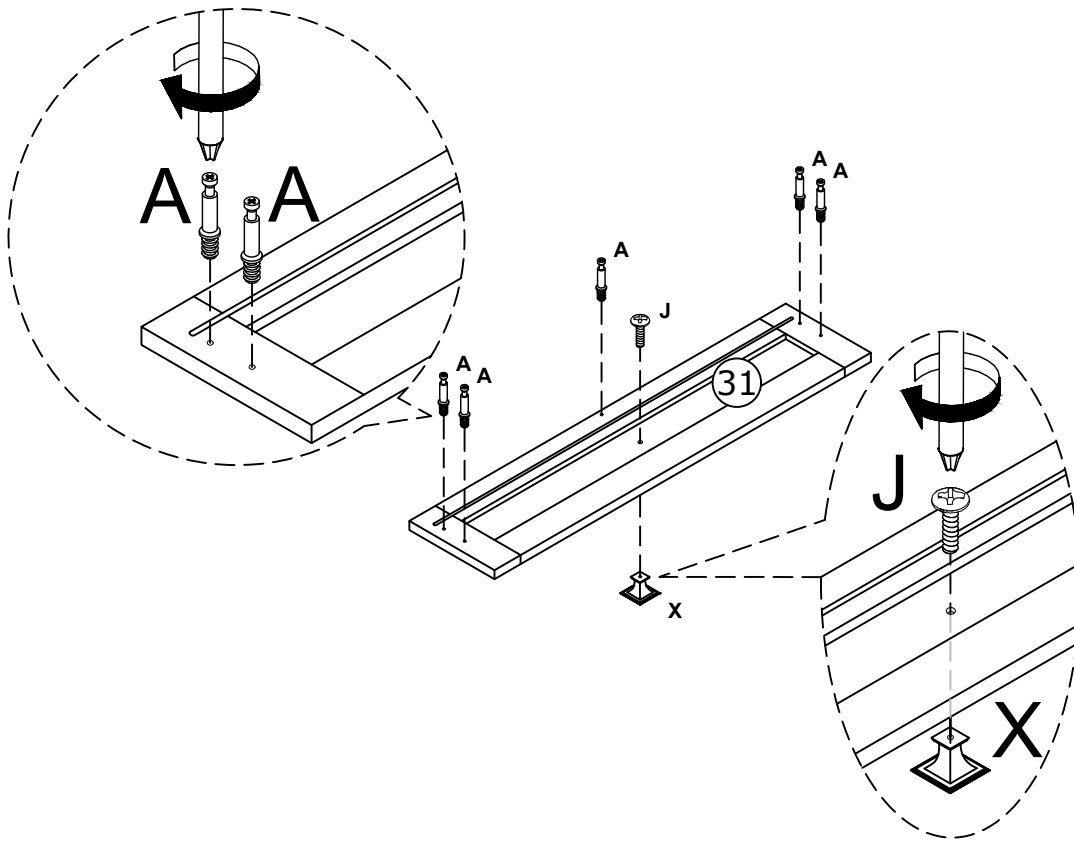
28



29

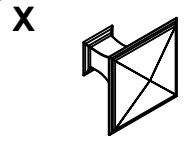


30

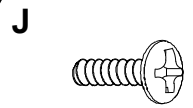


Ø6x35mm

x5



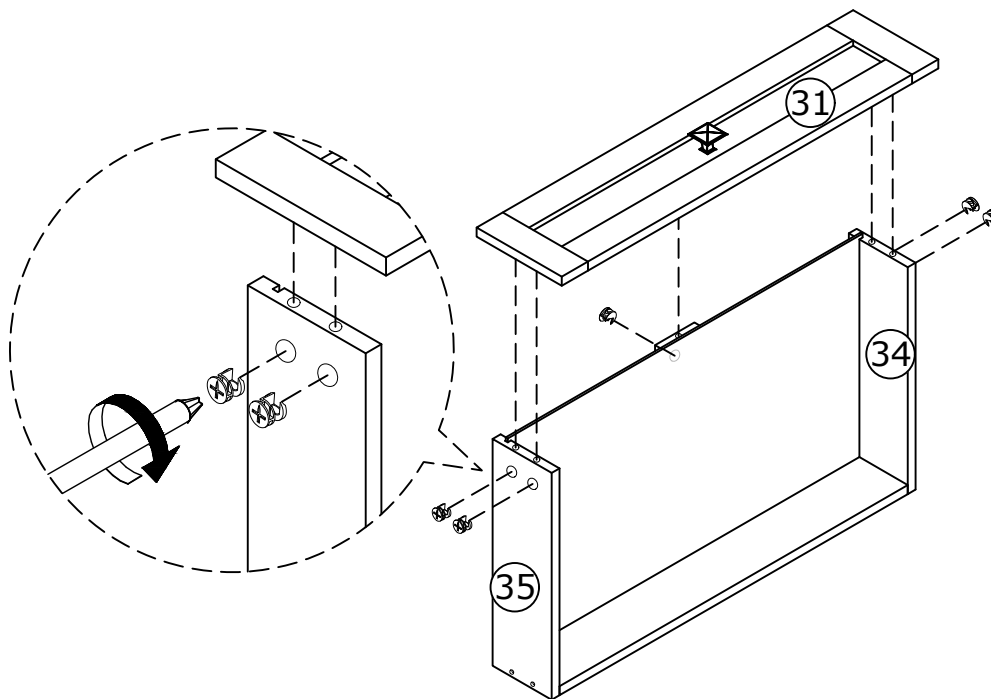
x1



Ø4x8mm

x1

31



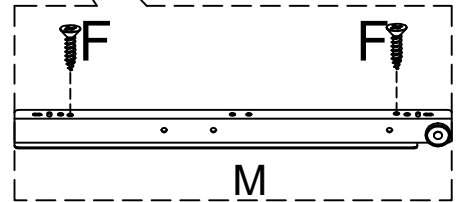
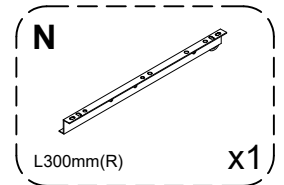
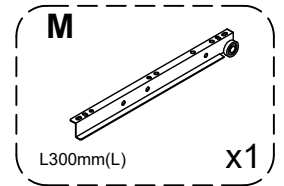
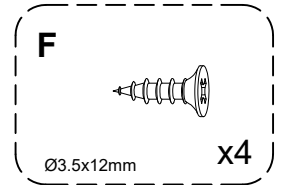
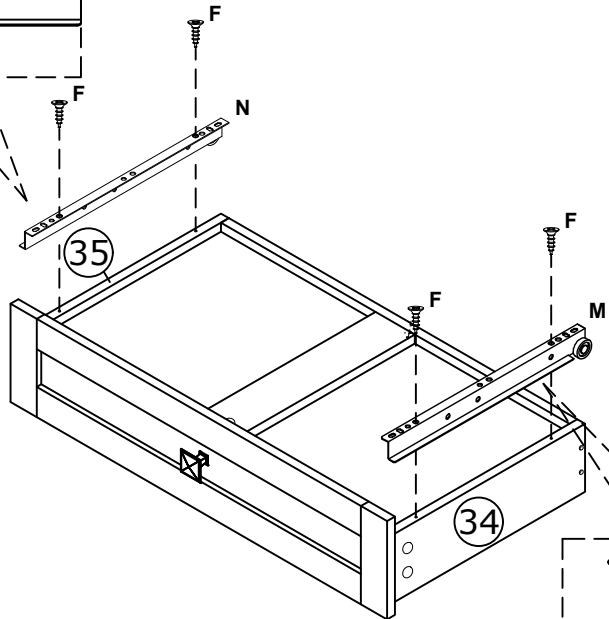
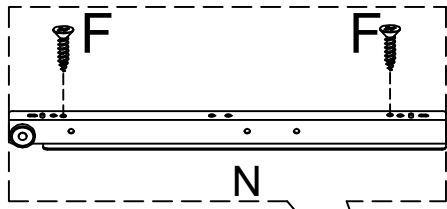
B



Ø15x10mm

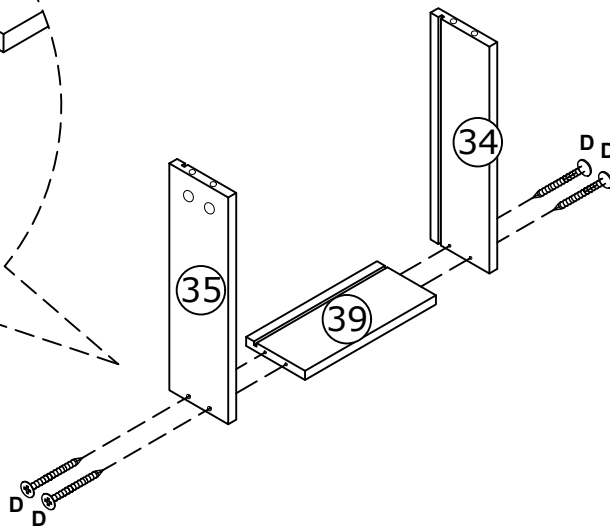
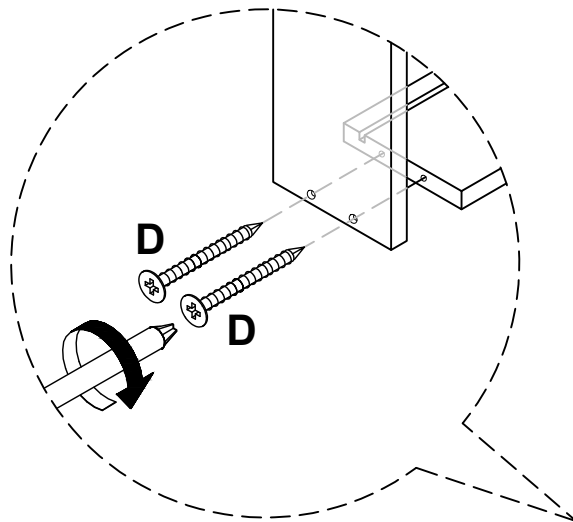
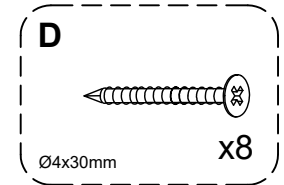
x5

32



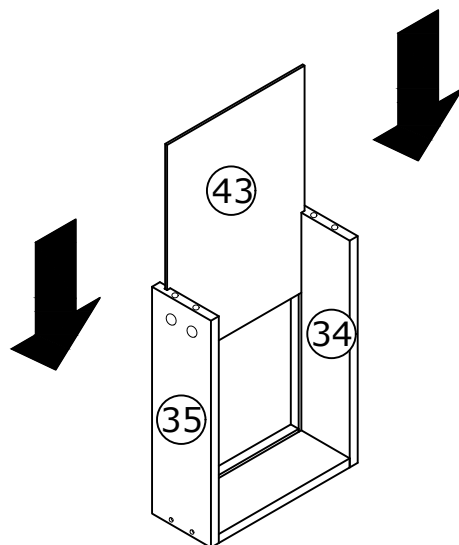
33

x2



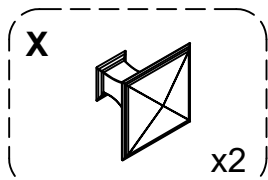
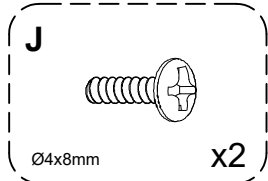
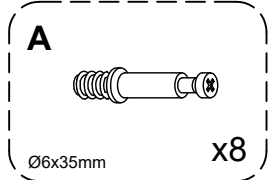
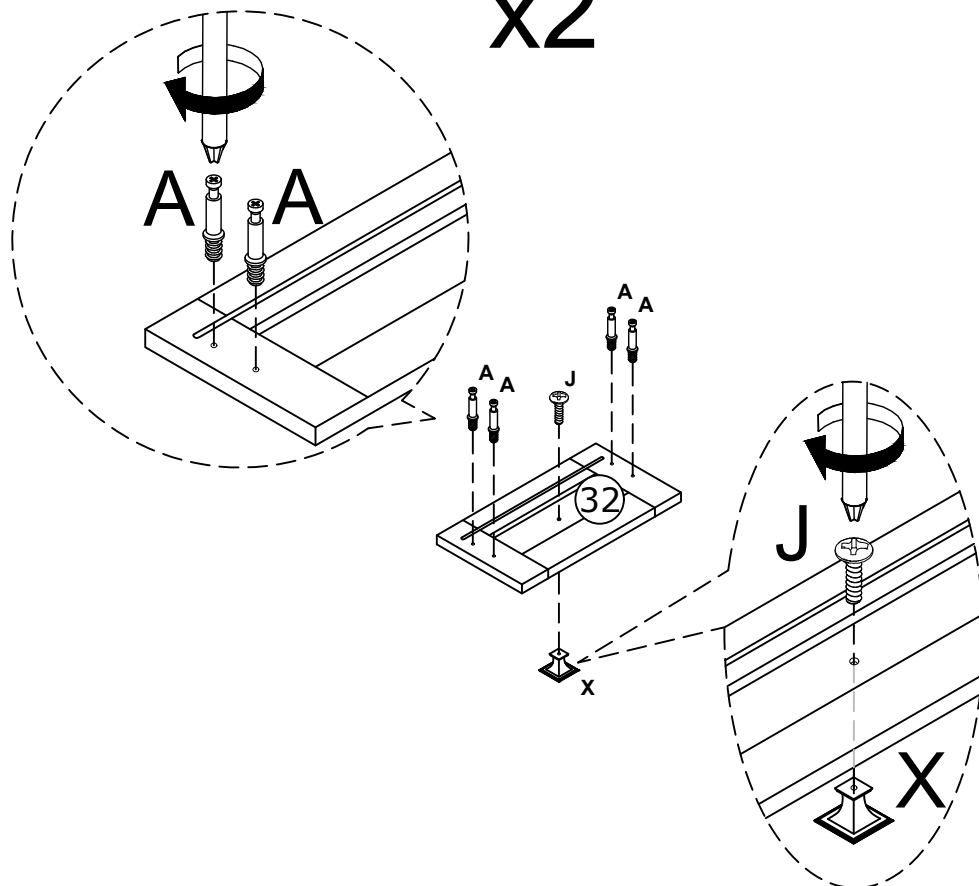
34

x2



35

x2



36

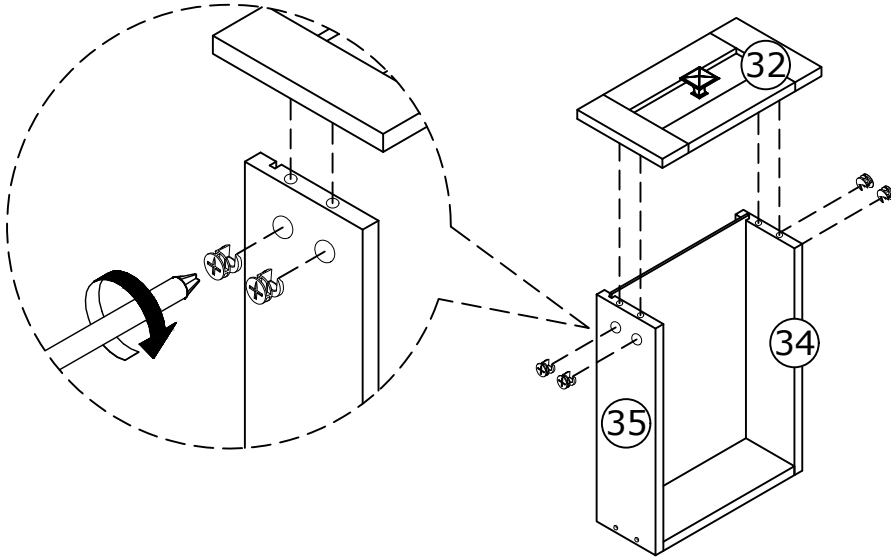
x2

B



Ø15x10mm

x8



37

x2

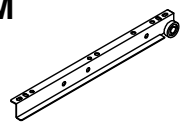
F



Ø3.5x12mm

x8

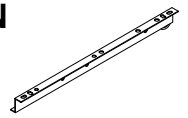
M



L300mm(L)

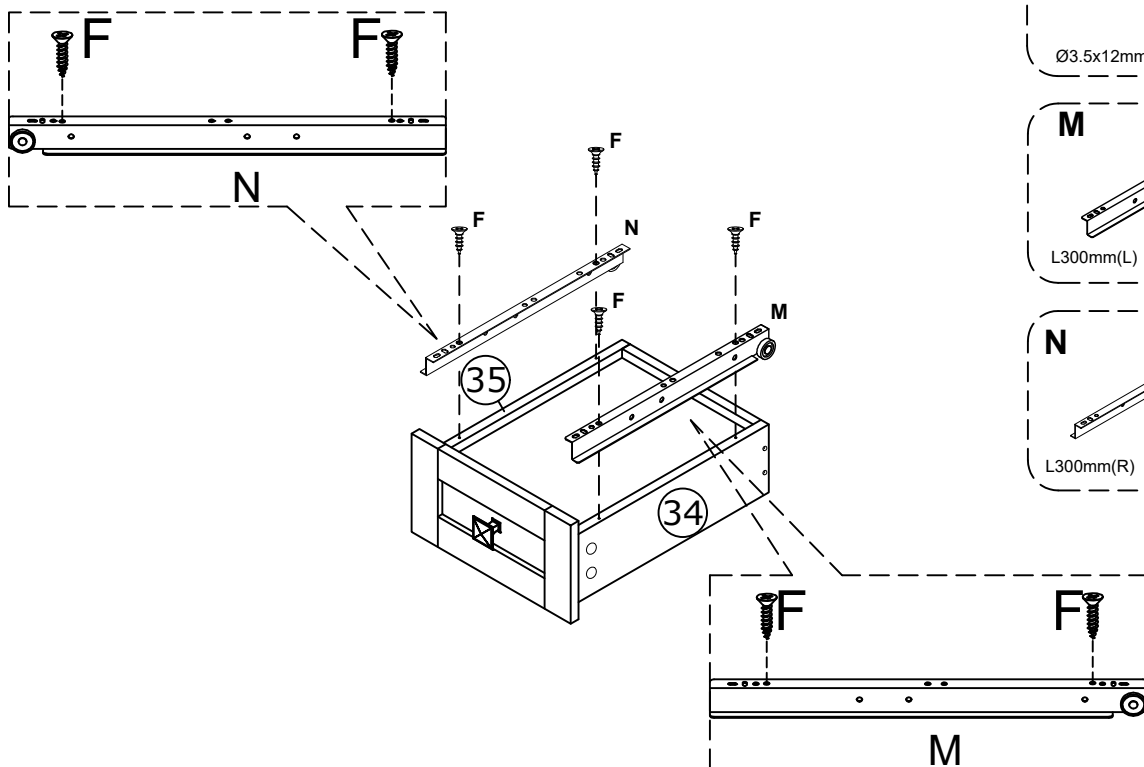
x2

N



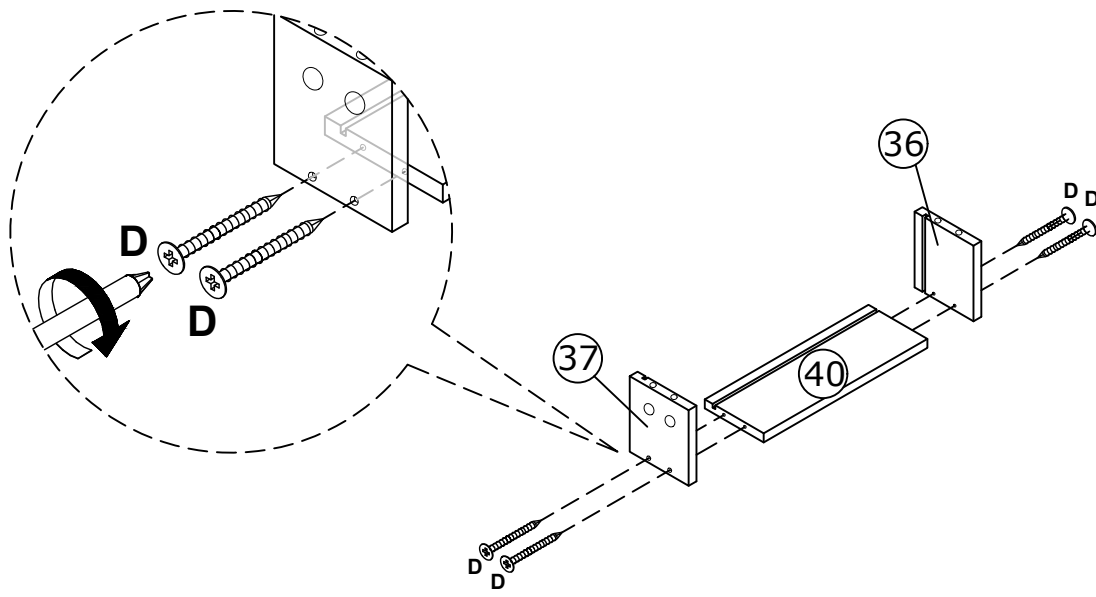
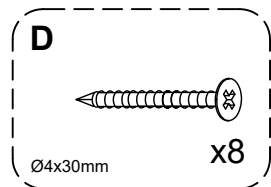
L300mm(R)

x2

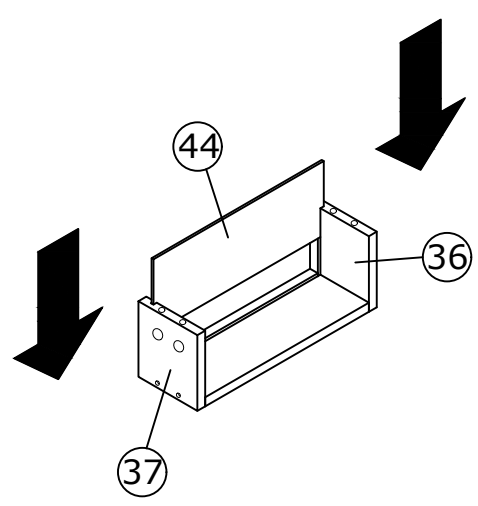


38

x2

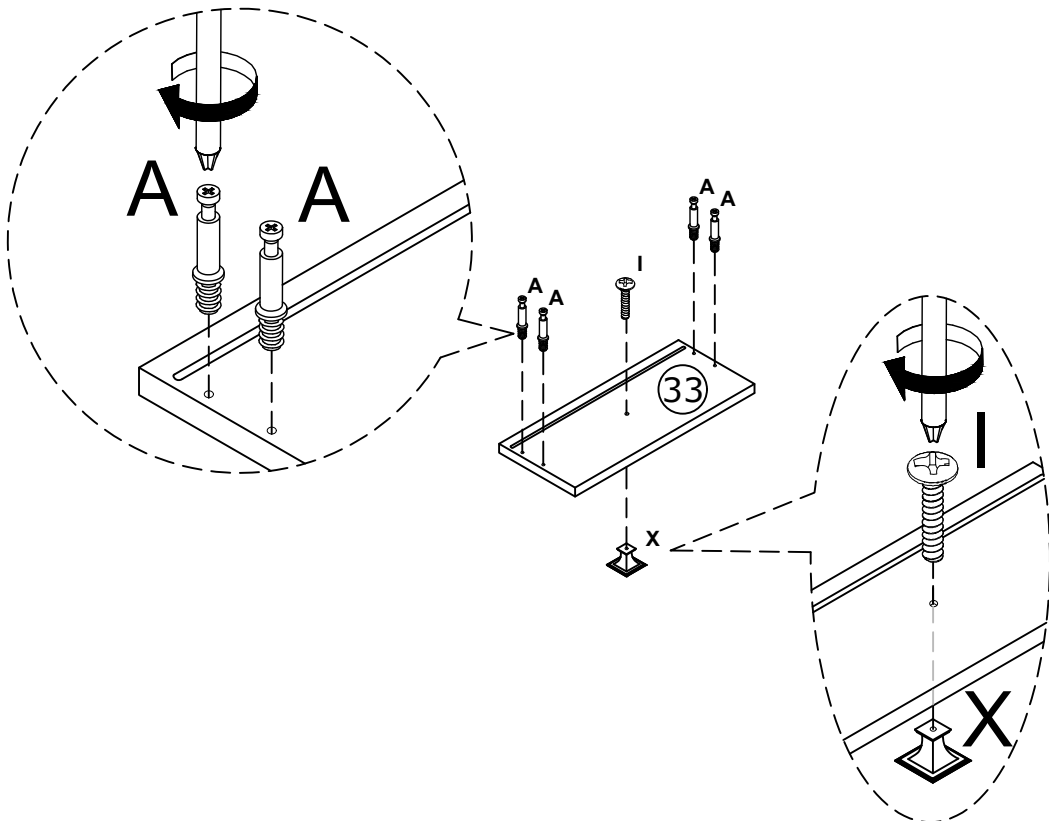
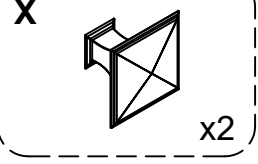
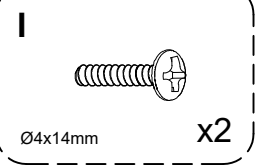
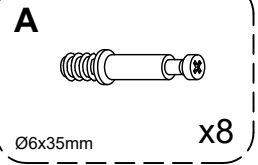


39



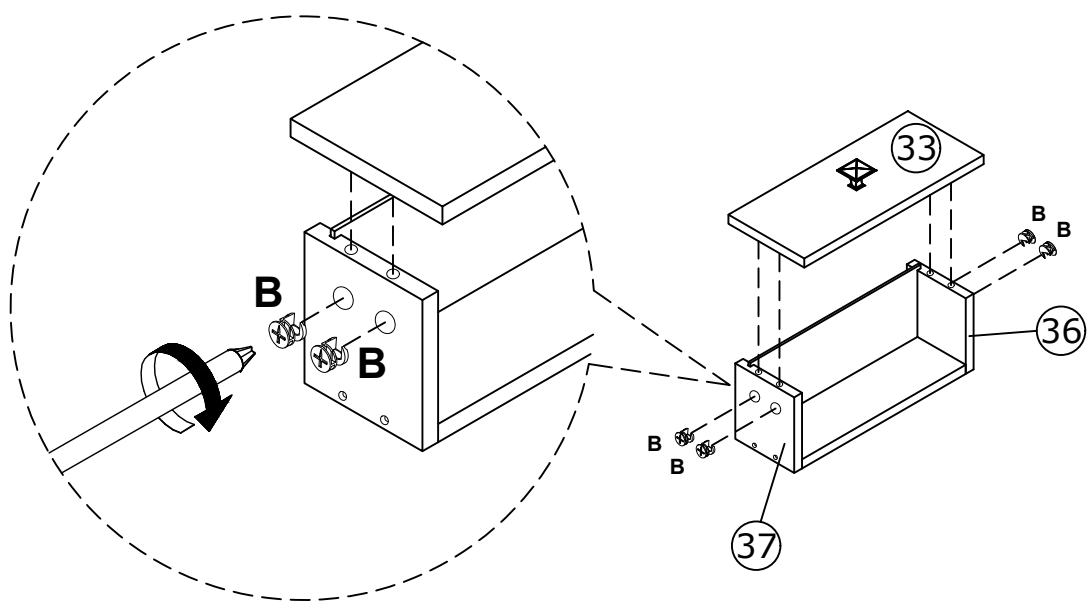
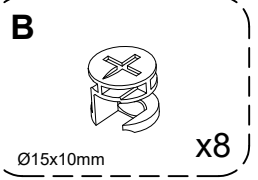
40

x2

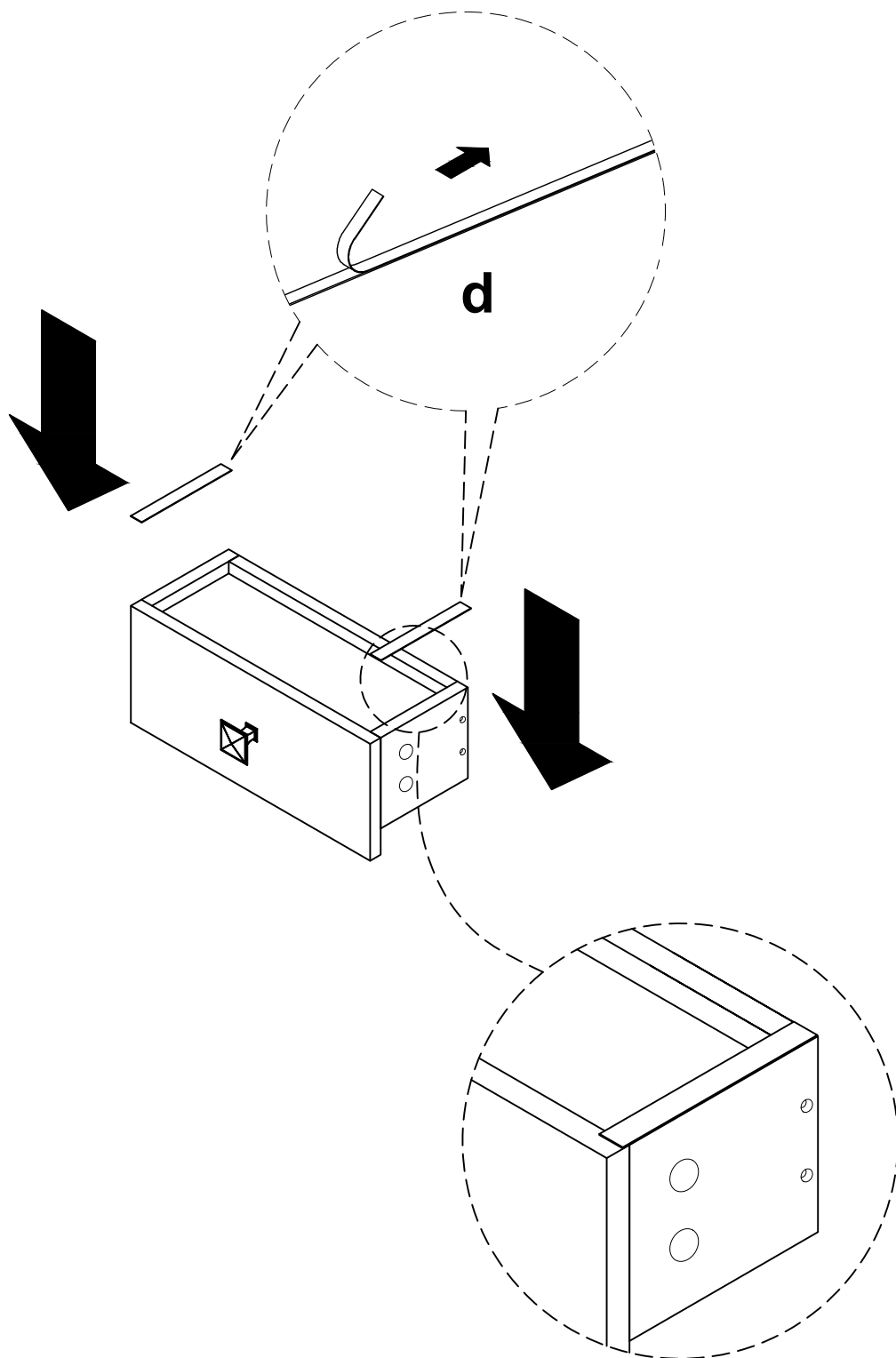
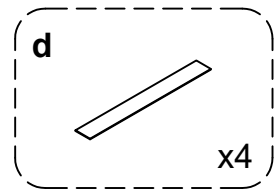


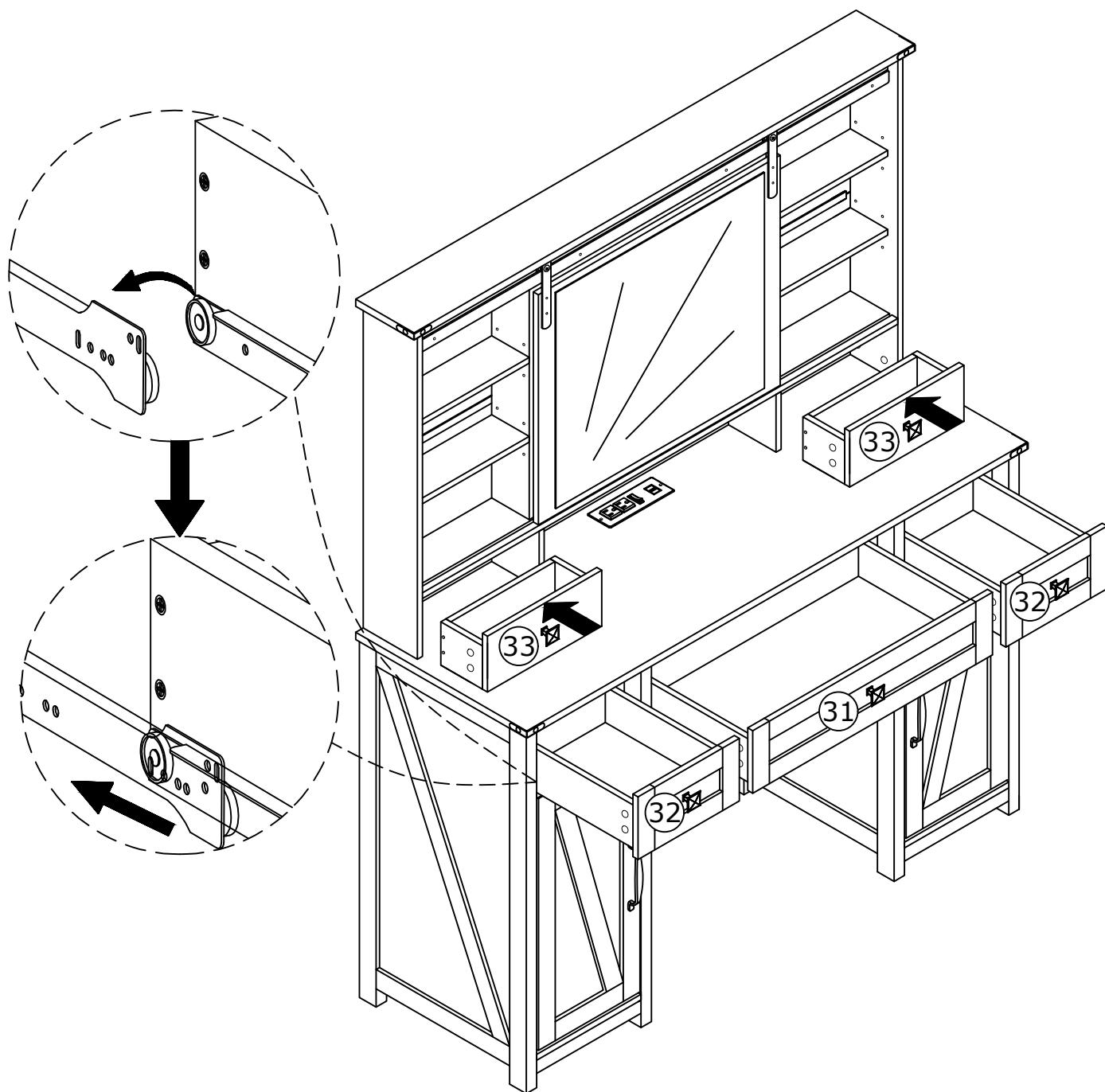
41



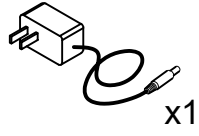
x2



x2





- G**  $\varnothing 3 \times 14 \text{ mm}$ x18
- V**  x18
- b**  x1

