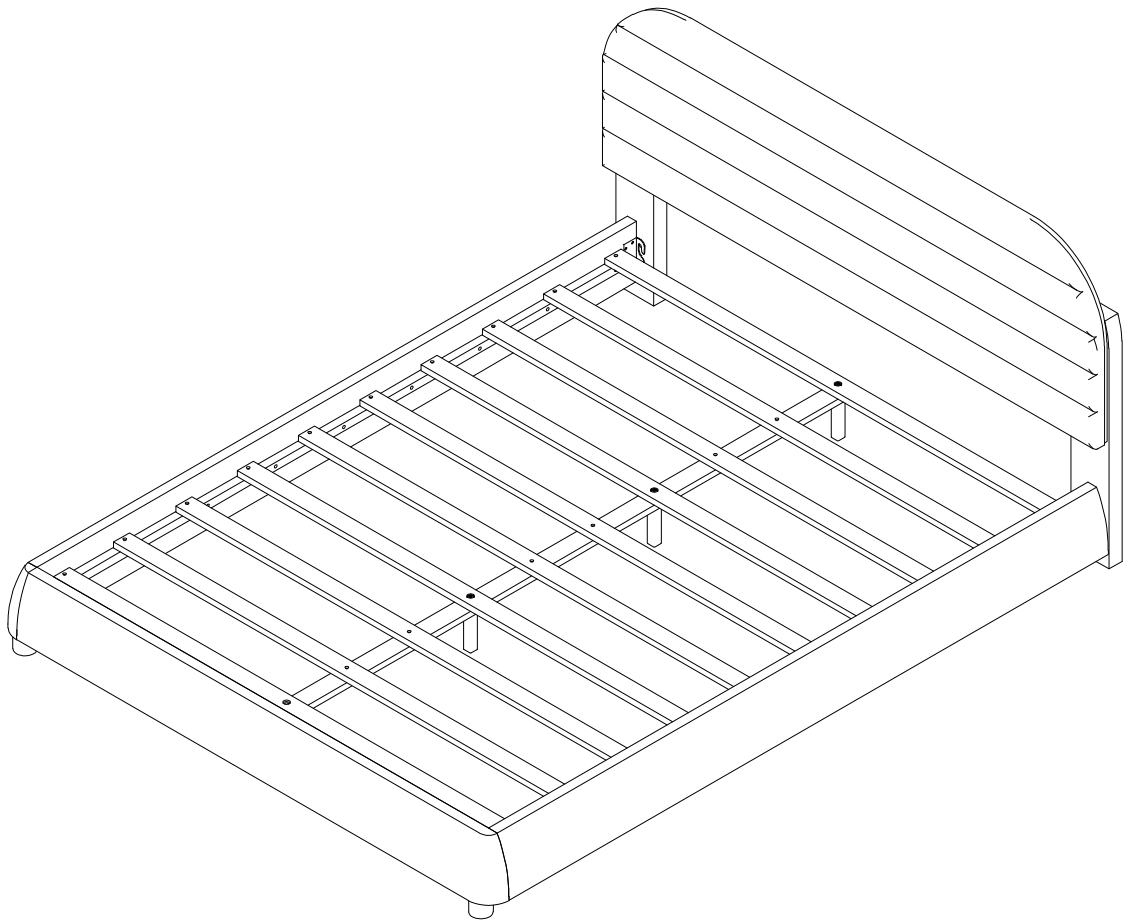
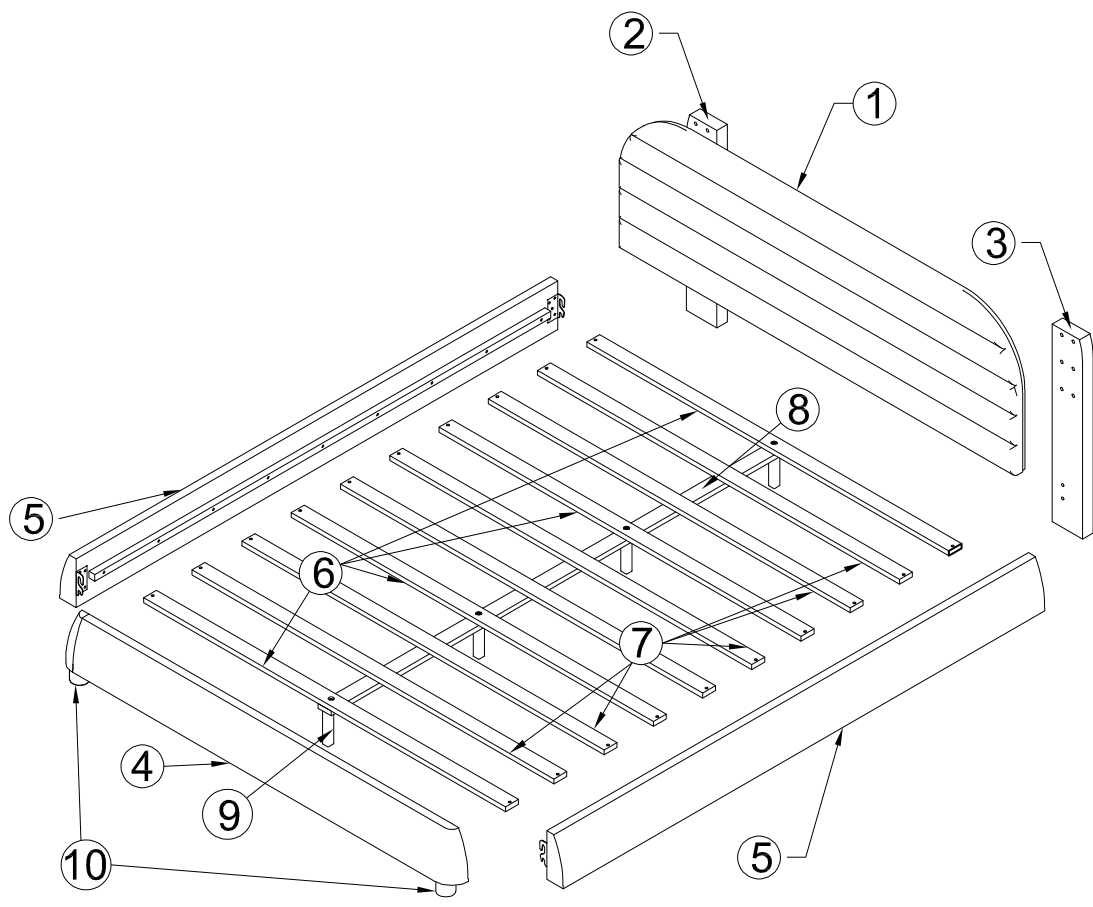


WF531296

WF531297



# ASSEMBLY INSTRUCTIONS

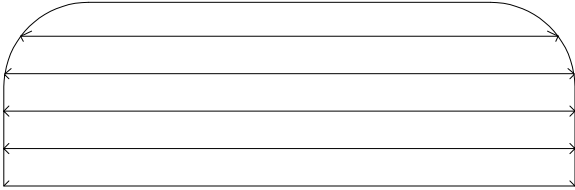


# PARTS

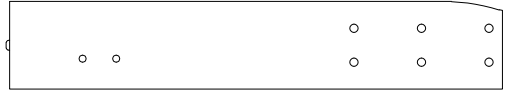
check that you've received  
all parts listed below

WF531296

① (1PC)



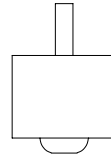
② (1PC)



③ (1PC)



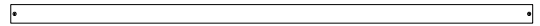
⑩ (2PCS)



⑨ (4PCS)



⑦ (6PCS)



⑥ (4PCS)

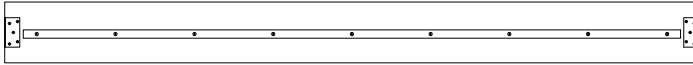


# PARTS

check that you've received  
all parts listed below

WF531297

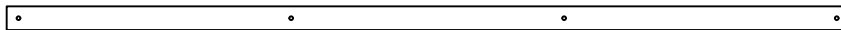
⑤ (2PCS)



④ (1PC)



⑧ (1PC)



# HARDWARE

check that you've received  
all parts listed below

## Hardware List

A



$\varnothing 5/16'' \times 38 \text{ mm}$

8 pcs

B



$\varnothing 5/16'' \times 60 \text{ mm}$

12 pcs

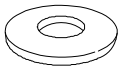
C



$\varnothing 5/16'' \times 70 \text{ mm}$

4 pcs

D



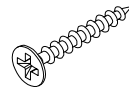
24 pcs

E



24 pcs

F







20 pcs

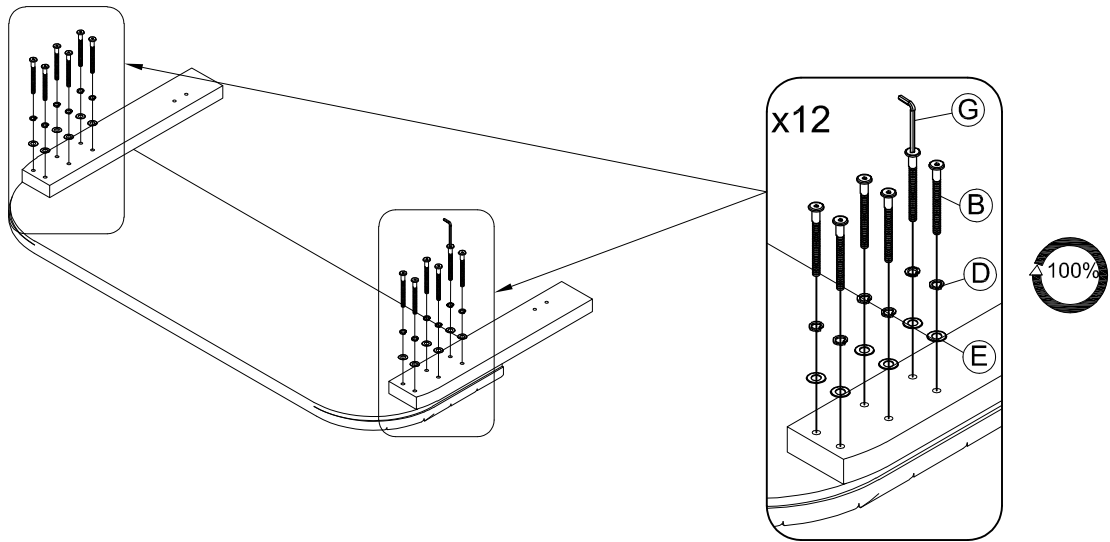
G




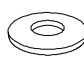


1 pc

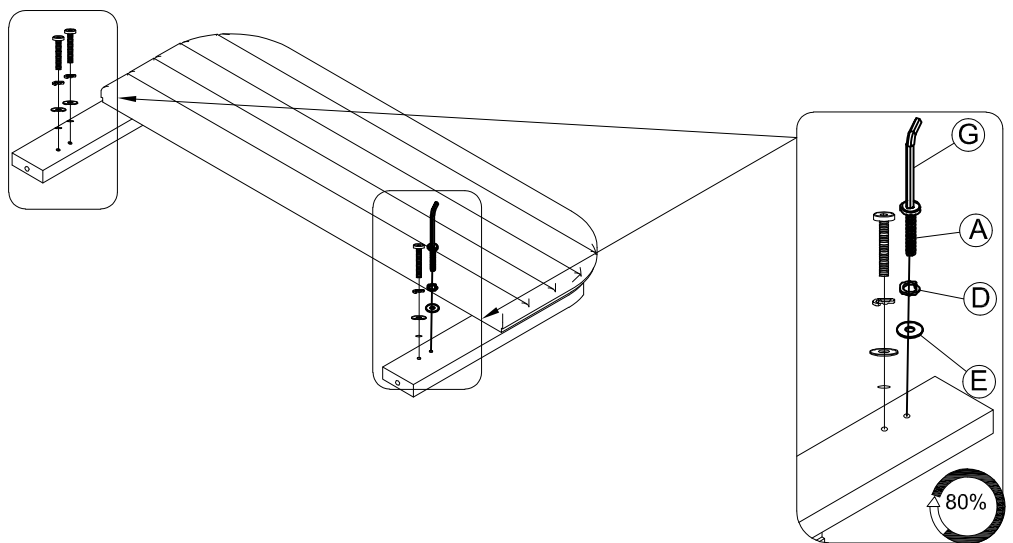
# STEP 1

<p>B x 12</p> 	<p>D x 12</p> 	<p>E x 12</p> 	<p>G x 1</p> 	
---	---	---	---	--

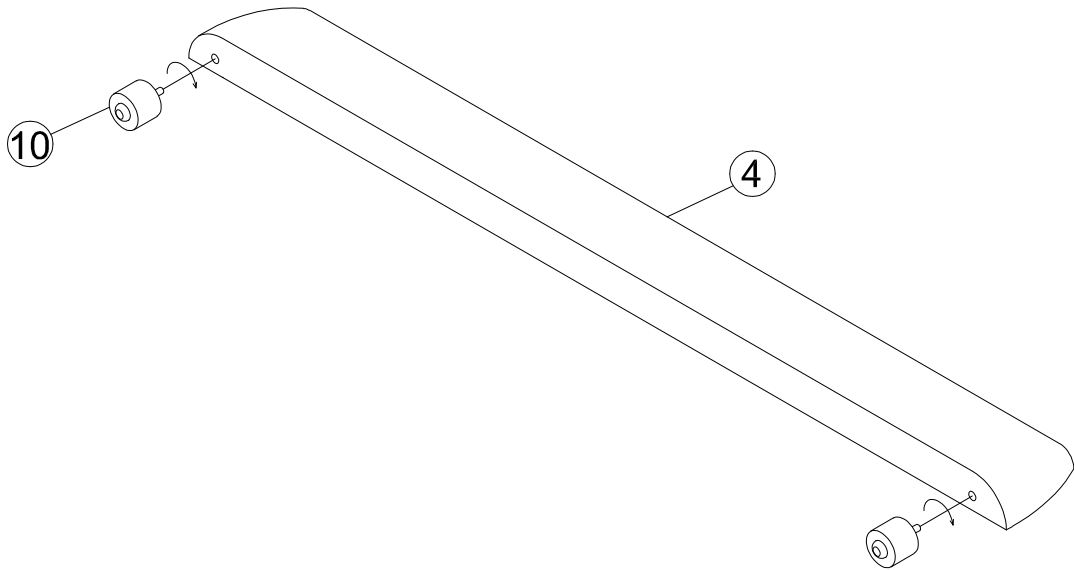


# STEP 2





<p>A x 4</p> 	<p>D x 4</p> 	<p>E x 4</p> 	<p>D x 1</p> 	
--	--	--	---	--

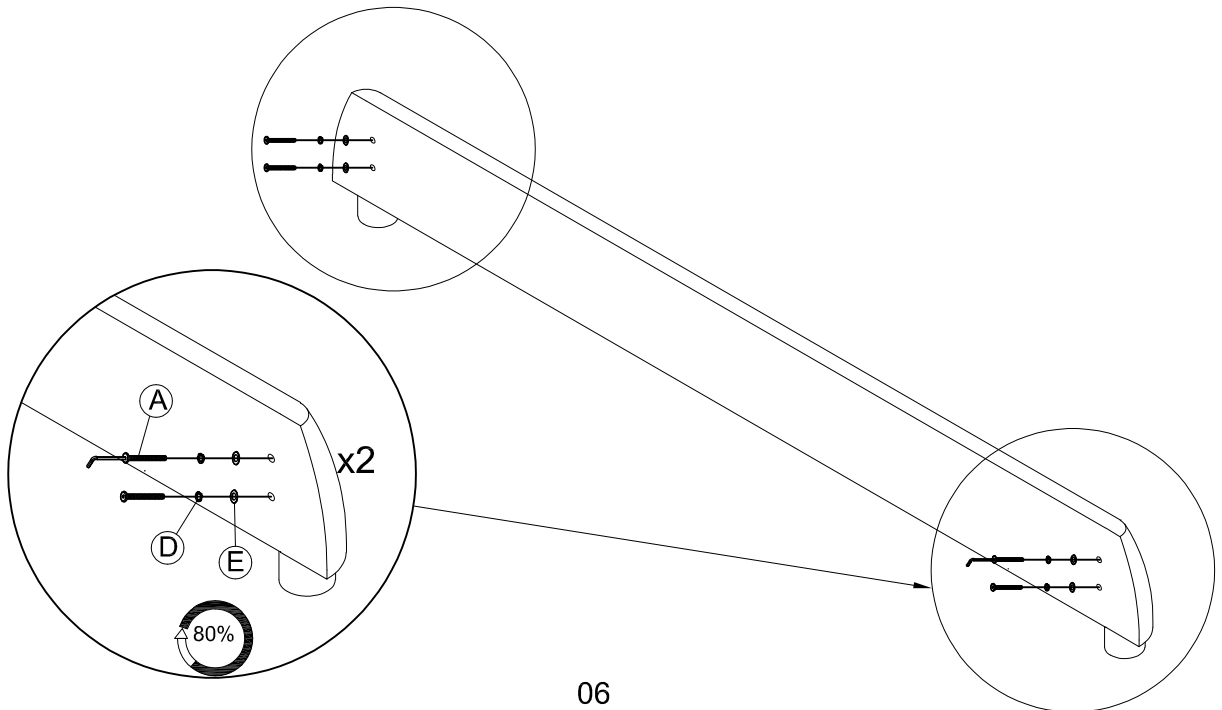


# STEP 3

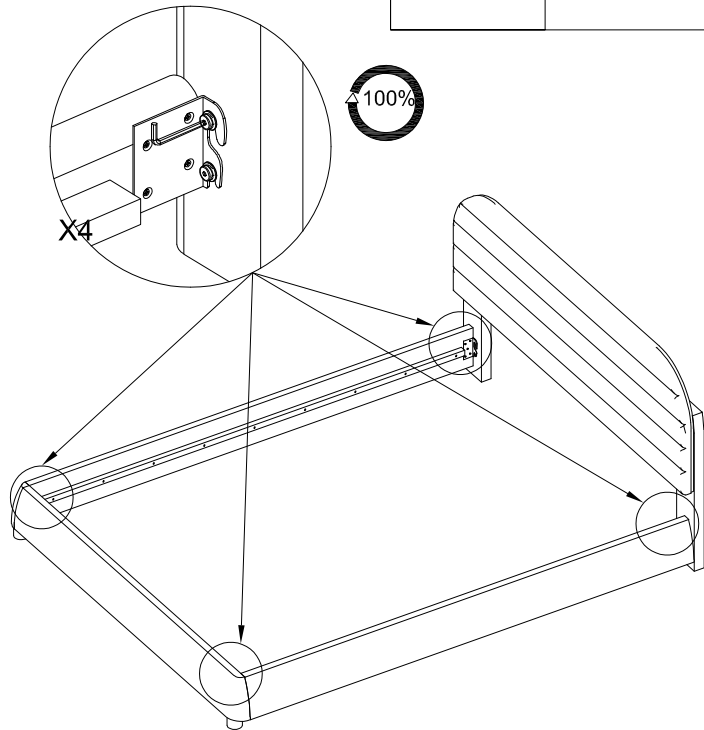
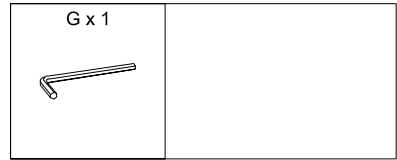


# STEP 4

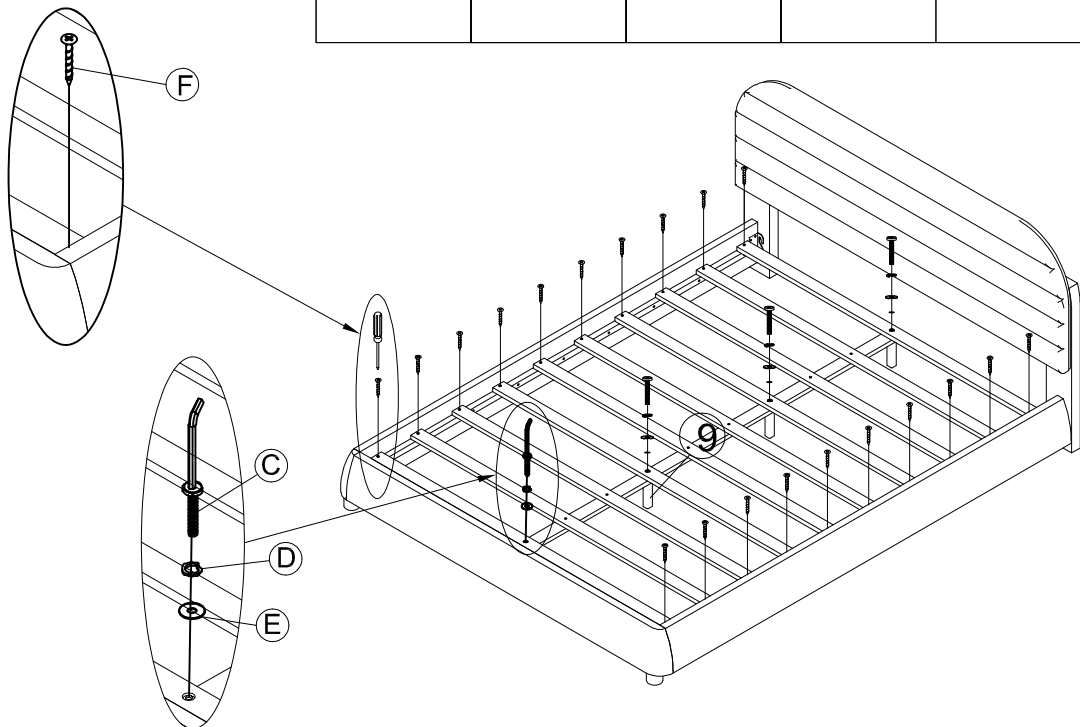
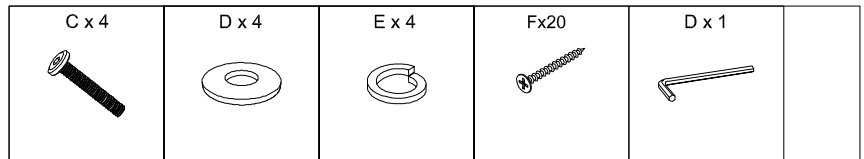
A x 4	D x 4	E x 4	D x 1	
				



# STEP 3



# STEP 4



# finish

