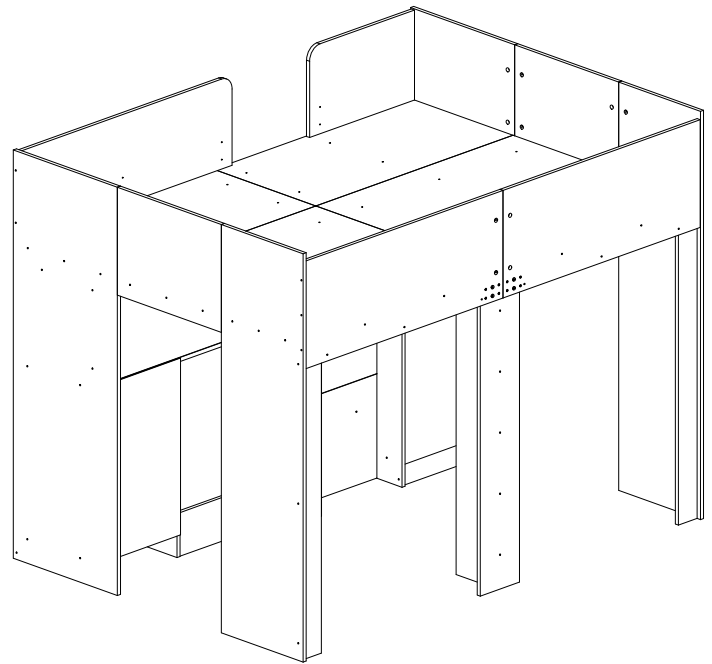
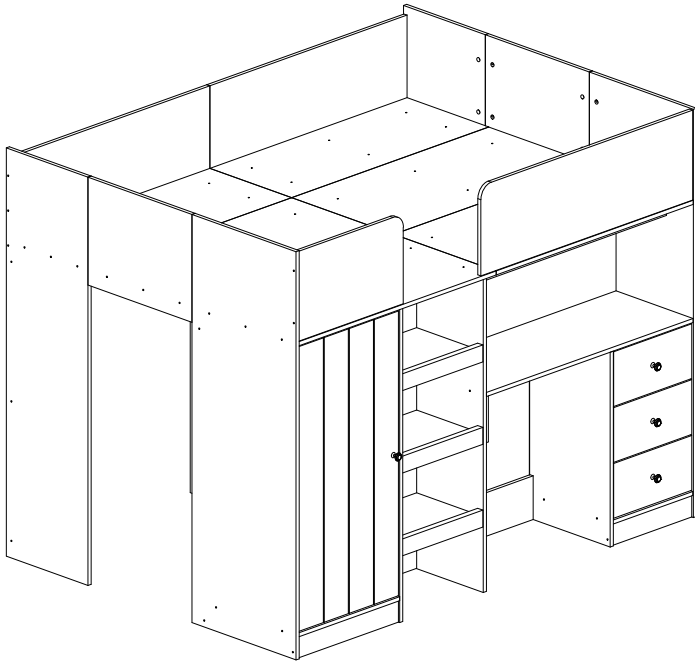
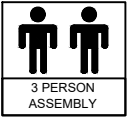
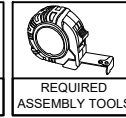
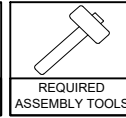
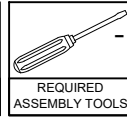
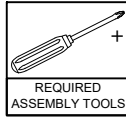


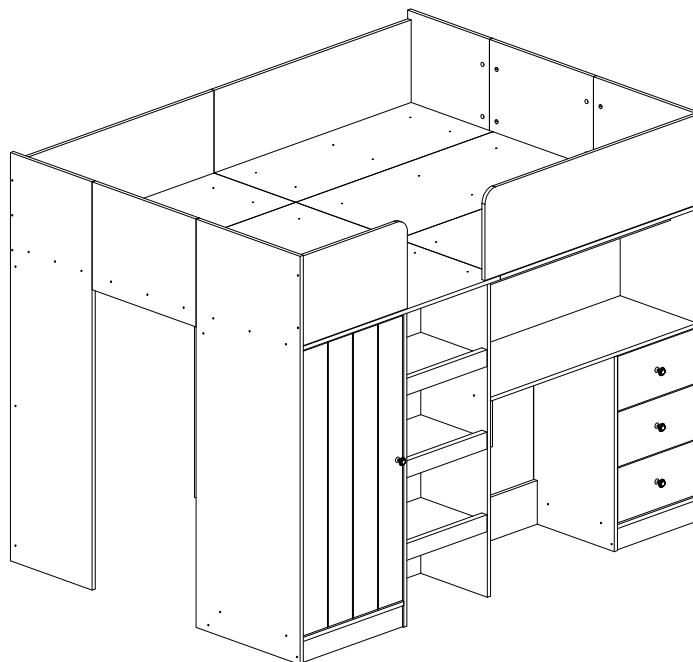
# Assembly Instruction

## Full Size Loft Bed with Study Desk and wardrobe



**Product Dimensions: Height 58.98" x Width 76.38" x Depth 55.28"**

# Assembly Instruction



## **SAFETY WARNINGS**

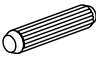
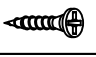
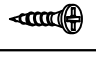
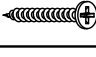
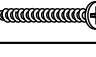
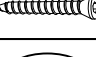






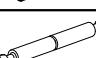
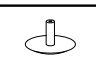
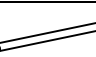




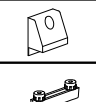
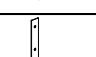
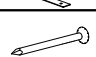



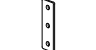
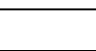


1. This bed is designed only for use only mattress(es) meeting the following specifications on the upper bunk:
2. 

<b>Bed Type</b>	<b>Length</b>	<b>Width</b>	<b>Thickness</b>
Full	75"	54"	6-8" max
3. Replacement parts, including additional guardrails, may be obtained from any of our dealers.
4. Follow the information on the warnings appearing on the upper bunk bed end structure and on the carton. Do not remove warning label from bed.
5. Always use the recommended size mattresses or mattress supports, or both, to help prevent the likelihood of entrapment or falls.
6. Surface of the mattress must be at least 5" (127mm) below the upper edge of the guardrails.
7. Do not allow children under 6 years of age to use the upper bunk.
8. Periodically check and ensure that the guardrail, ladder and other components are in their proper position, free from damage, and that all connectors are tight.
9. Do not allow horseplay on or under the bed and prohibit jumping on the bed.
10. Always use the ladder for entering and leaving the upper bunk.
11. Do not use substitute parts. Contact the manufacturer or dealer for replacement parts.
12. Use of a night light may provide added safety precaution for a child using the upper bunk.
13. Always use guardrails on both the long sides of the upper bunk. If the bunk bed will be placed next to the wall, the guardrail that runs the full length of the bed should be placed against the wall to prevent entrapment between the bed and wall.
14. The use of water or sleep flotation mattresses is prohibited.
15. **STRANGULATION HAZARD** - Never attach or hang items to any part of the bunk bed that are not designed for use with the bed; for example, but not limited to, hook, belts and jump ropes.
16. Keep these instructions for future reference.

# Assembly Instruction

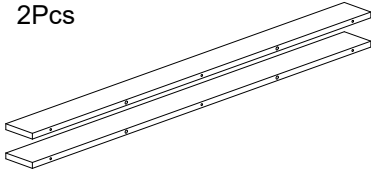
## Hardware List

<i>Hardware List</i>			
<i>No.</i>	<i>SHAPE</i>	<i>DESCRIPTION</i>	<i>Qty.</i>
1		<b>8x30mm Wood Dowel</b>	126Pcs
2		<b>M3.1x16mm Screw (Chrome)</b>	3Pcs
3		<b>M3.5x14mm Screw</b>	43Pcs
4		<b>M4x28mm Screw</b>	8Pcs
5		<b>M4x32mm Screw</b>	12Pcs
6		<b>M6x40mm Screw</b>	163Pcs
7		<b>15MM Screw Cap</b>	163Pcs
8		<b>M6 Nut</b>	4Pcs
9		<b>JCBC M6x50mm Bolt</b>	4Pcs
10		<b>M6.2x8MM EURO Screw</b>	12Pcs
11		<b>TP 10#x1/2" Screw</b>	18Pcs
12		<b>15MM Minifix Cam</b>	46Pcs
13		<b>Minifix Bolt</b>	14Pcs
14		<b>MiniFix Stick</b>	16Sets
15		<b>17 MM MiniFix Cap</b>	46Pcs
16		<b>Cylinder Pipe - 483mm</b>	1Pc
17		<b>V-Bracket</b>	2Pcs
18		<b>2 Pin Stopper</b>	2Pcs
19		<b>Hinges 7/8" (In)</b>	3Sets
20		<b>Drawer Slide = 300mm</b>	3Sets
21		<b>Backply Stopper</b>	3Pcs
22		<b>MDF Support</b>	5Pcs
23		<b>L- Bracket 1.6 x 26 x 120 x 120 mm</b>	3Pcs
24		<b>Nail</b>	54Pcs
25		<b>M4 Allen Key</b>	1Pc
26		<b>Handle Screw M4x18mm</b>	4Pcs
27		<b>Diamond Handle</b>	4Pcs
28		<b>Metal Support</b>	2Pcs

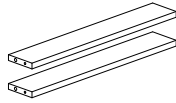
# Assembly Instruction

## Parts List

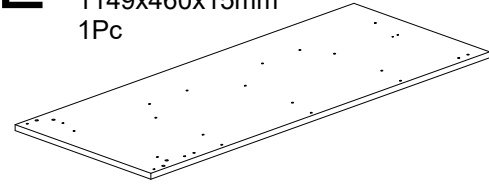
**A3** Side Panel Support  
1148x90x15mm  
2Pcs



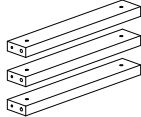
**B** Leg L  
489x80x15mm  
2Pcs



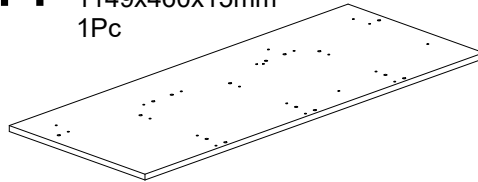
**E** Stand Panel L  
1149x460x15mm  
1Pc



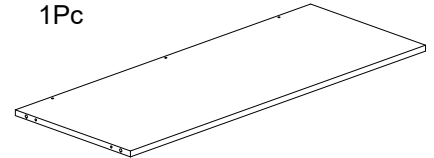
**G1** Ladder Panel  
390x62x25mm  
3Pcs



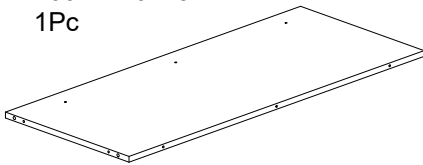
**H** Stand Panel M  
1149x460x15mm  
1Pc



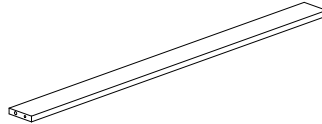
**K** Table Panel  
1001x390x15mm  
1Pc



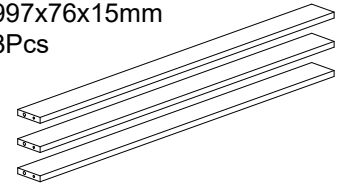
**N** Table Back Panel  
1001x419x15mm  
1Pc



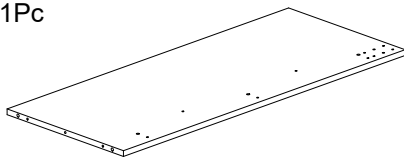
**N1** Table Hat  
1001x76x15mm  
1Pc



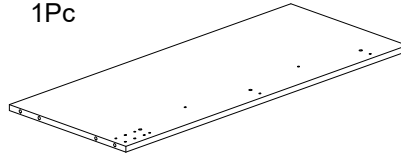
**Q** Frame B  
997x76x15mm  
3Pcs



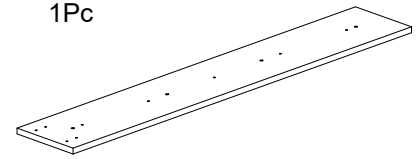
**R** Back Rail Panel L  
955x395x15mm  
1Pc



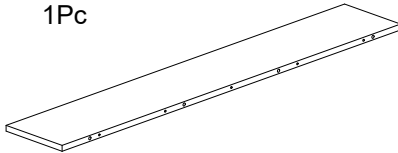
**R1** Back Rail Panel R  
955x395x15mm  
1Pc



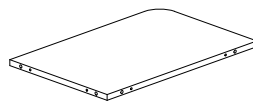
**S** Pillar  
1148x190x15mm  
1Pc



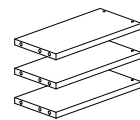
**S1** Bed Slat Board  
1148x190x15mm  
1Pc



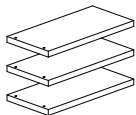
**U** Front Rail L  
508x330x15mm  
1Pc



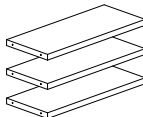
**Y1** Drawer Side L  
290x140x15mm  
3Pcs



**Y2** Drawer Side L  
290x140x15mm  
3Pcs



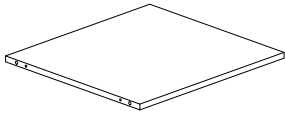
**Y3** Drawer Back  
331x139x15mm  
3Pcs



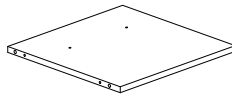
# Assembly Instruction

## Parts List

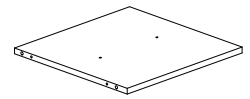
**C** Bottom Panel L  
489x460x15mm  
1Pc



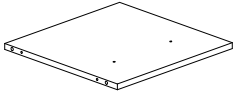
**F** Drawer Side Panel -L  
390x382x15mm  
1Pc



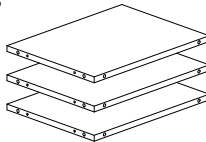
**F1** Drawer Back Panel B  
390x382x15mm  
1Pc



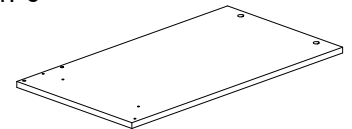
**F2** Drawer Back Panel B  
390x382x15mm  
1Pc



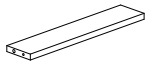
**G** Ladder Shelf Panel  
390x296x15mm  
3Pcs



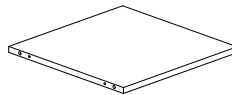
**J** Stand Panel R  
715x390x15mm  
1Pc



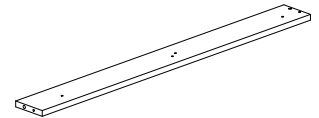
**L** Leg R  
386x80x15mm  
1Pc



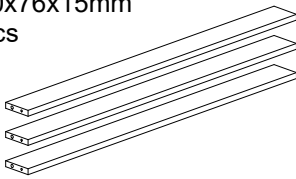
**M** Bottom Panel R  
389x386x15mm  
1Pc



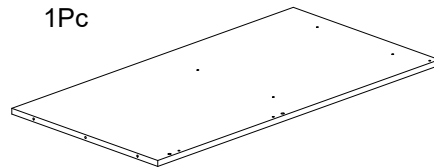
**O** Back Frame  
910x90x15mm  
1Pc



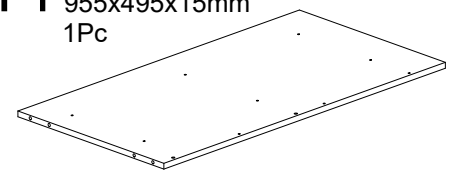
**P** Frame S  
970x76x15mm  
3Pcs



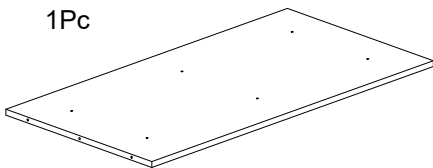
**T** Bed Panel  
955x495x15mm  
1Pc



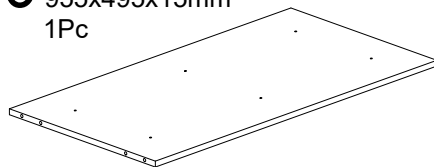
**T1** Bed Panel  
955x495x15mm  
1Pc



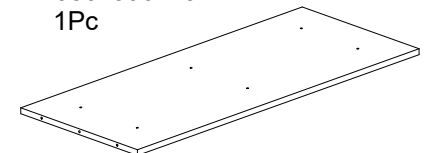
**T2** Bed Panel  
955x495x15mm  
1Pc



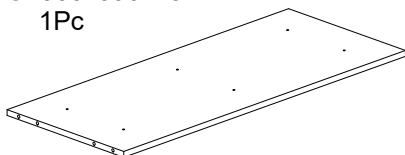
**T3** Bed Panel  
955x495x15mm  
1Pc



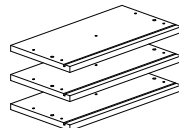
**T4** Bed Panel  
955x396x15mm  
1Pc



**T5** Bed Panel  
955x396x15mm  
1Pc

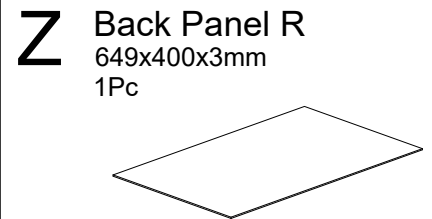
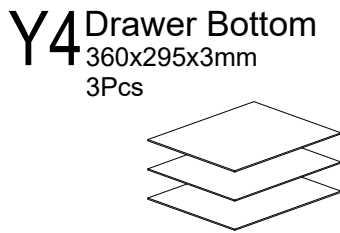
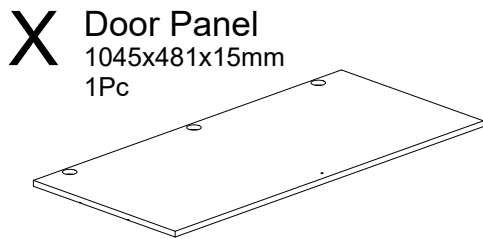
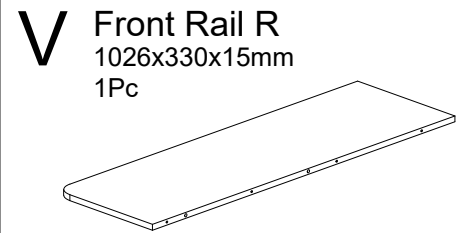
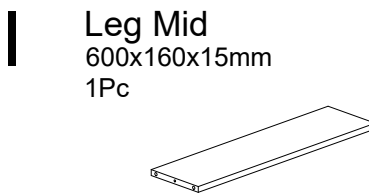
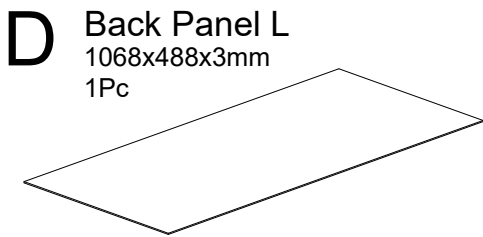
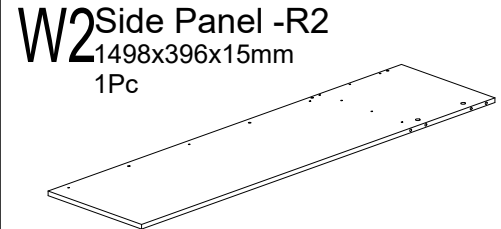
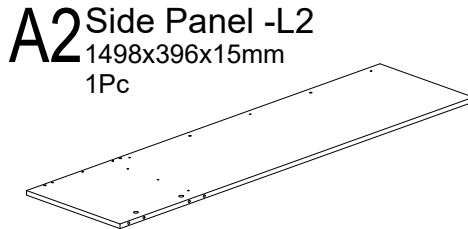
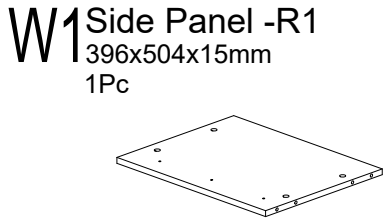
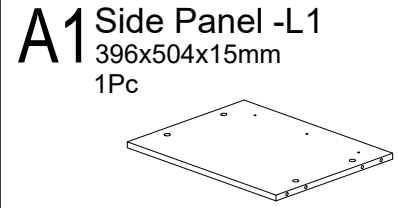
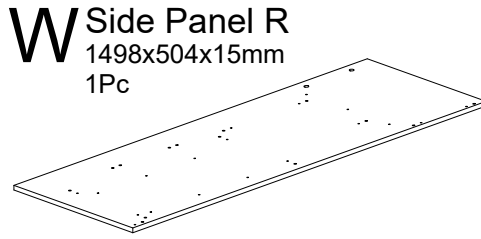
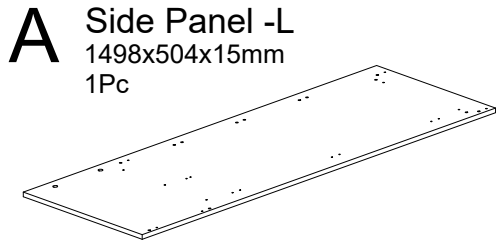


**Y** Drawer Front  
378x201x15mm  
3Pcs



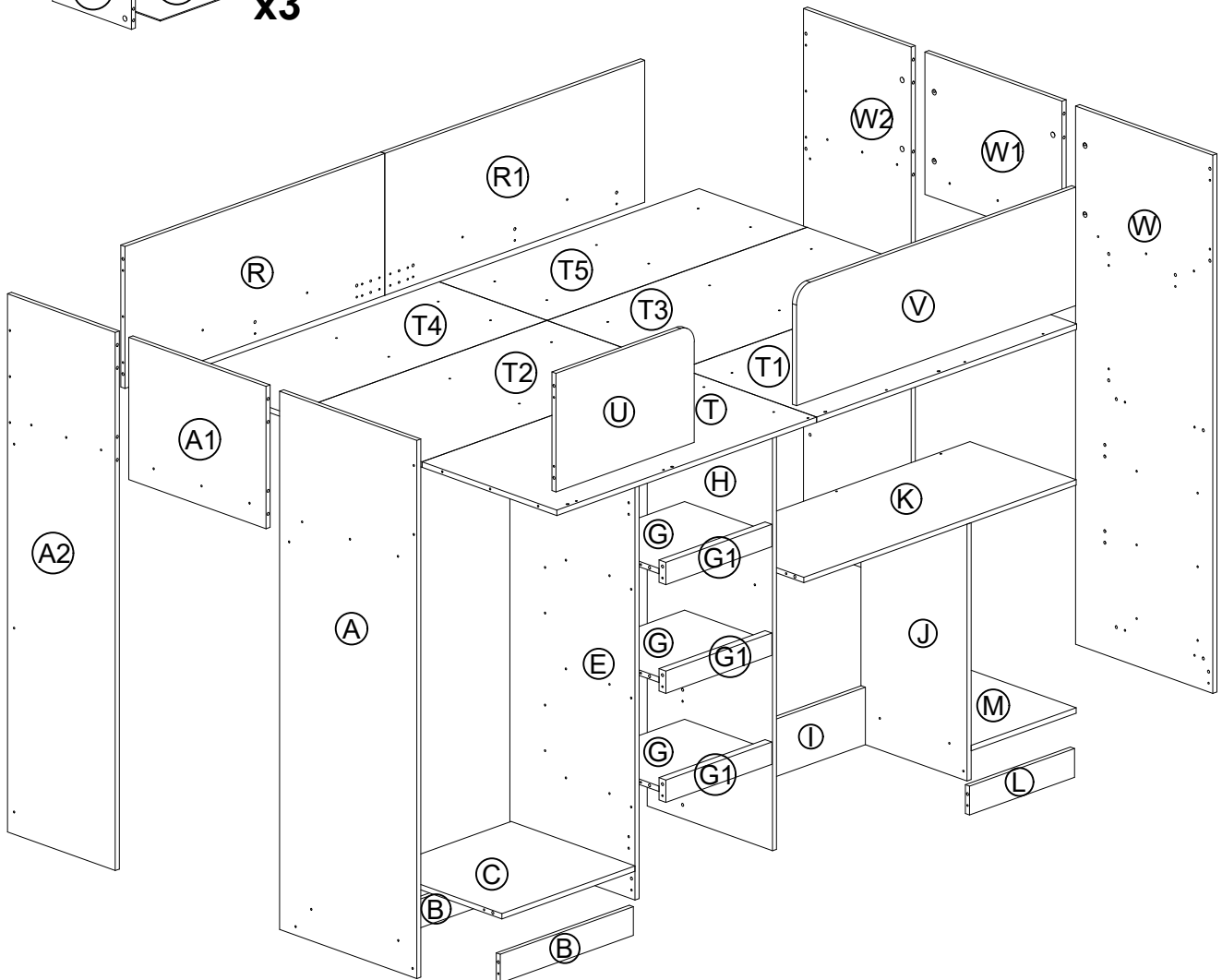
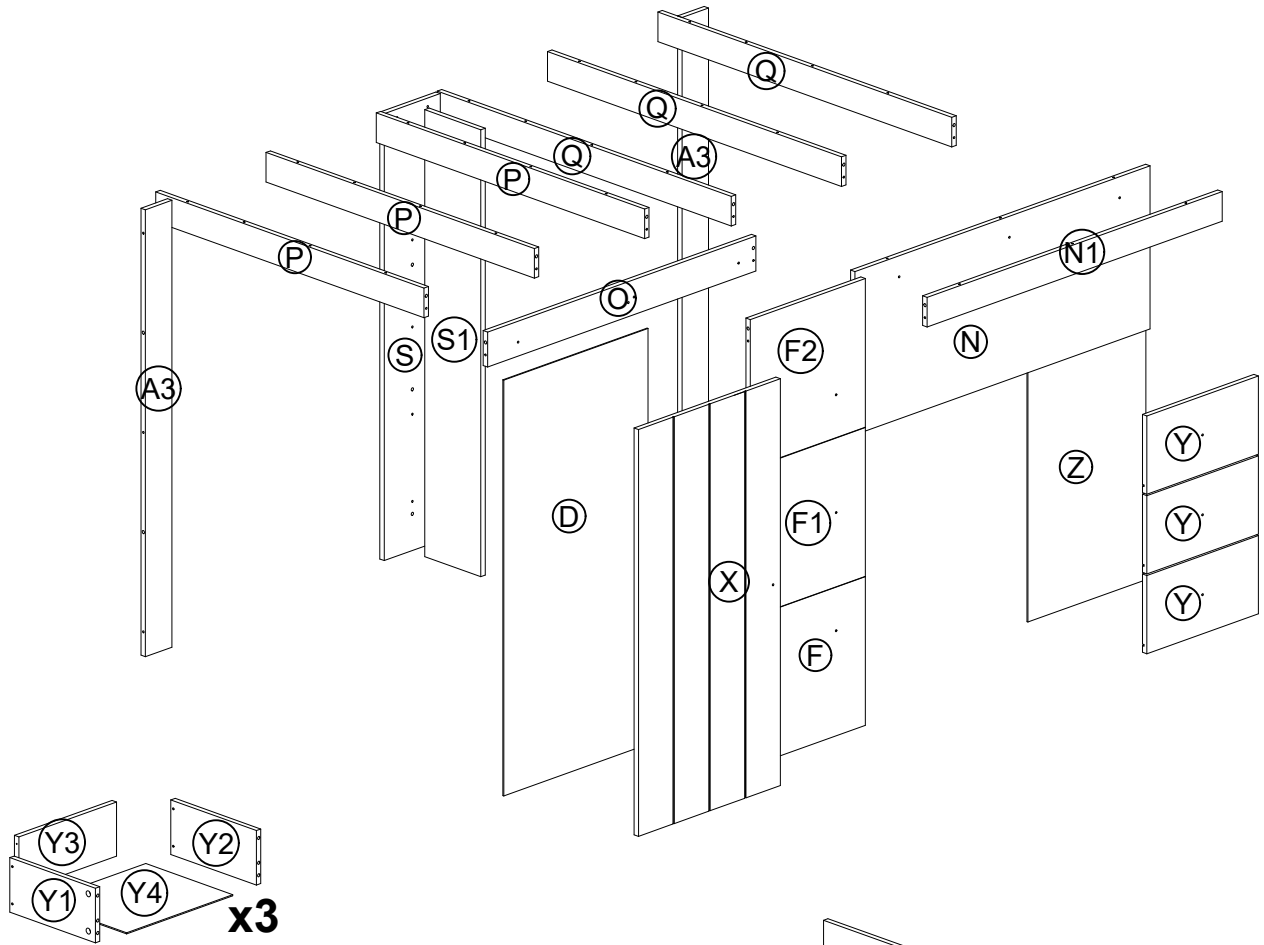
# Assembly Instruction

## Parts List



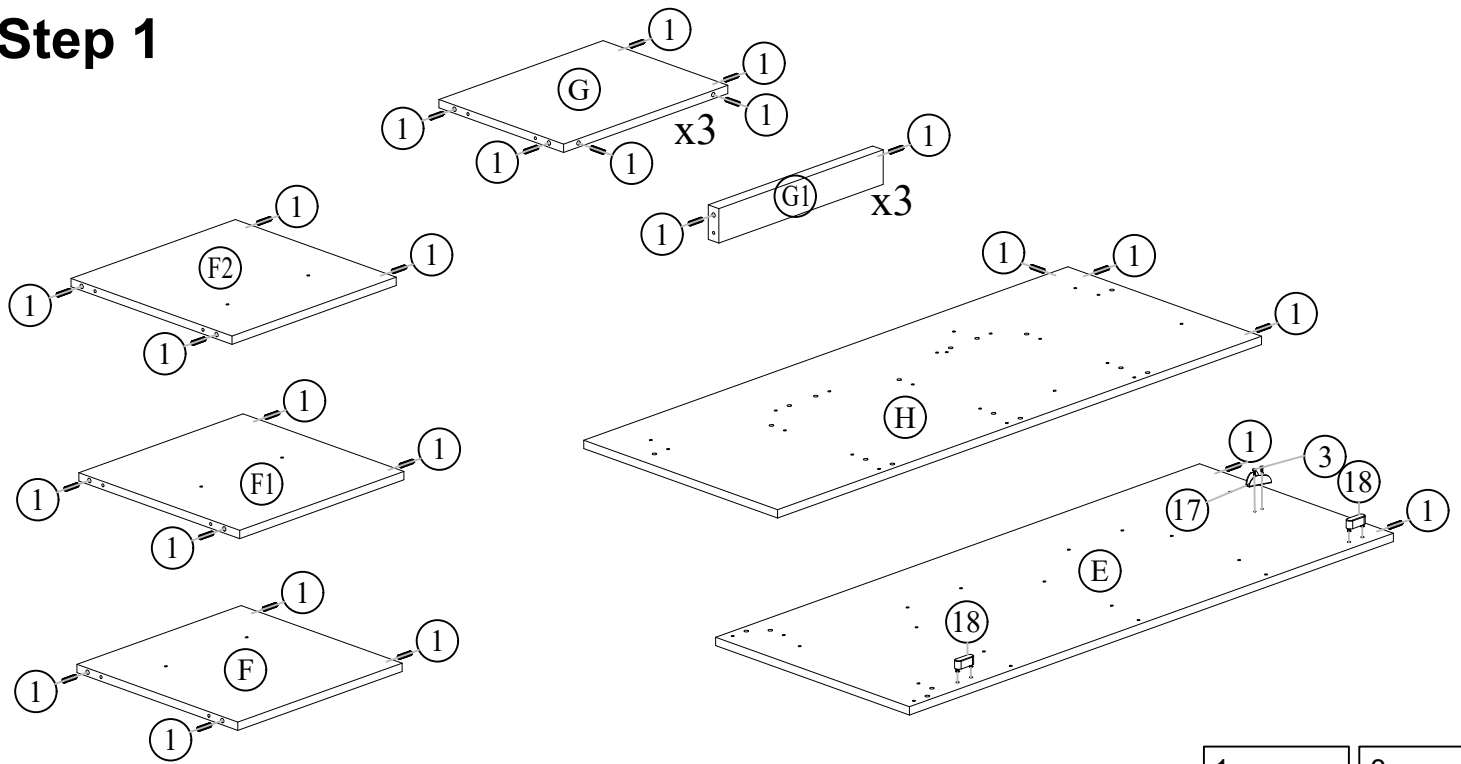
# Assembly Instruction

## The Breakdown

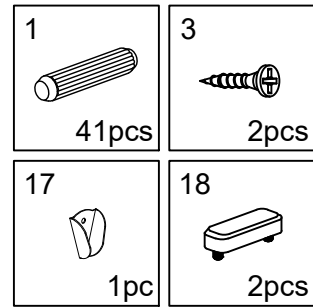


# Assembly Instruction

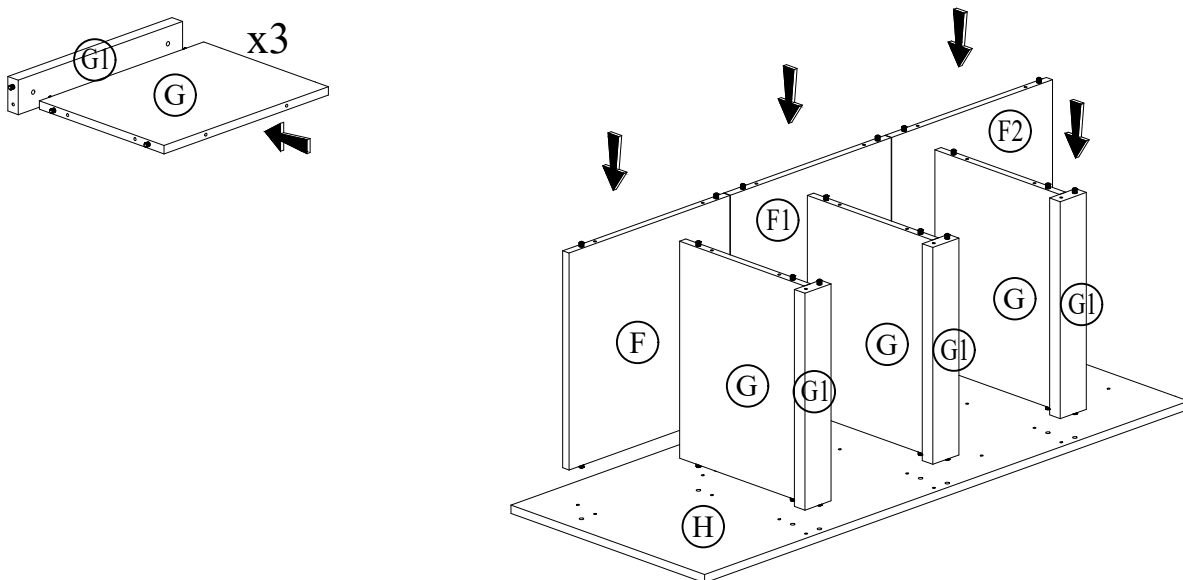
## Step 1



- Install the 8x30mm wood dowel (1) into Panel (E), (F), (F1), (F2), (G), (G1) and (H) as shown in the diagram.
- Install the 2 pin stopper (18) into Panel (E)
- The V Bracket (17), use the M3.5x14mm screws (3) to attach them to Panel (E)



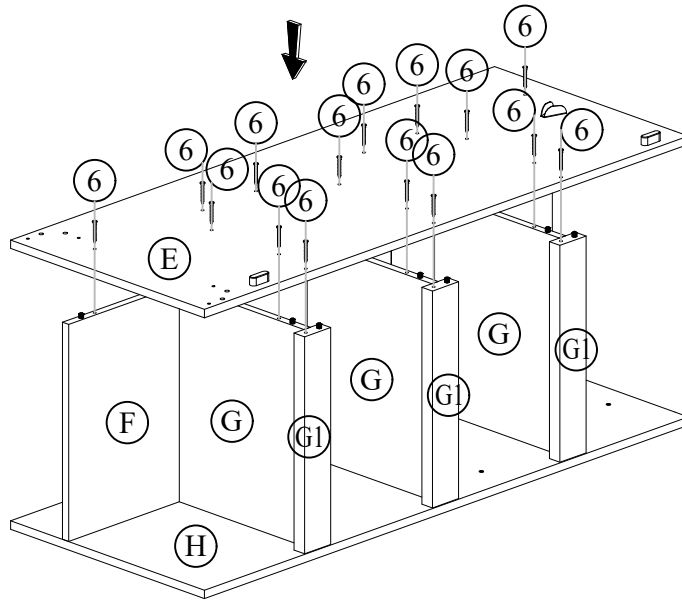
## Step 2



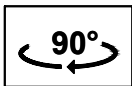
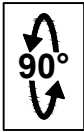
- Assembling Panels (G) and (G1) as shown in the diagram.
- Then rotate them 90° and attach them to Panel (H).
- Following with Panel (F), (F1) and (F2).

# Assembly Instruction

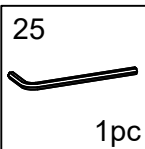
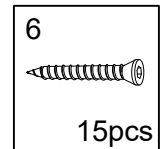
## Step 3



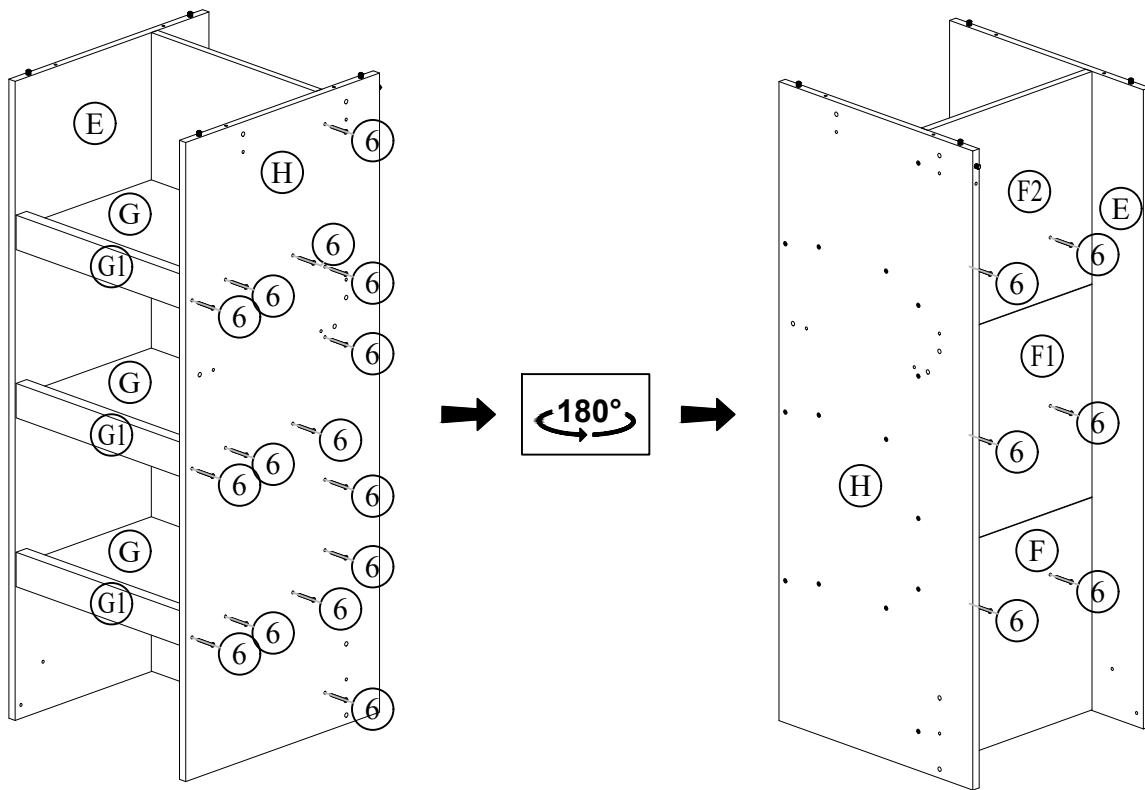
- Put Panel (E) onto Panels as shown.
- Then insert M6X40mm Screws (6) to corresponding hole as shown in diagram.
- Use the Allen Key (25) to tighten the M6x40mm Screws (6) securely.



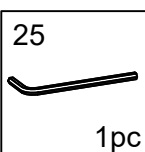
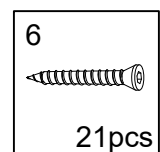
Step 4



## Step 4

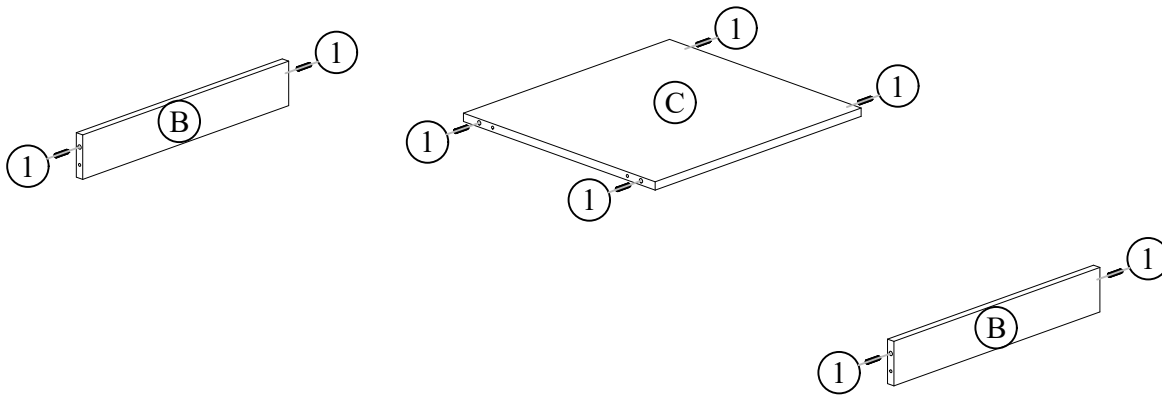


- Insert M6X40mm Screws (6) to corresponding hole as shown in diagram.
- Use the Allen Key (25) to tighten the M6x40mm Screws (6) securely.

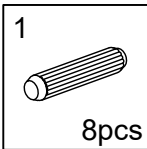


# Assembly Instruction

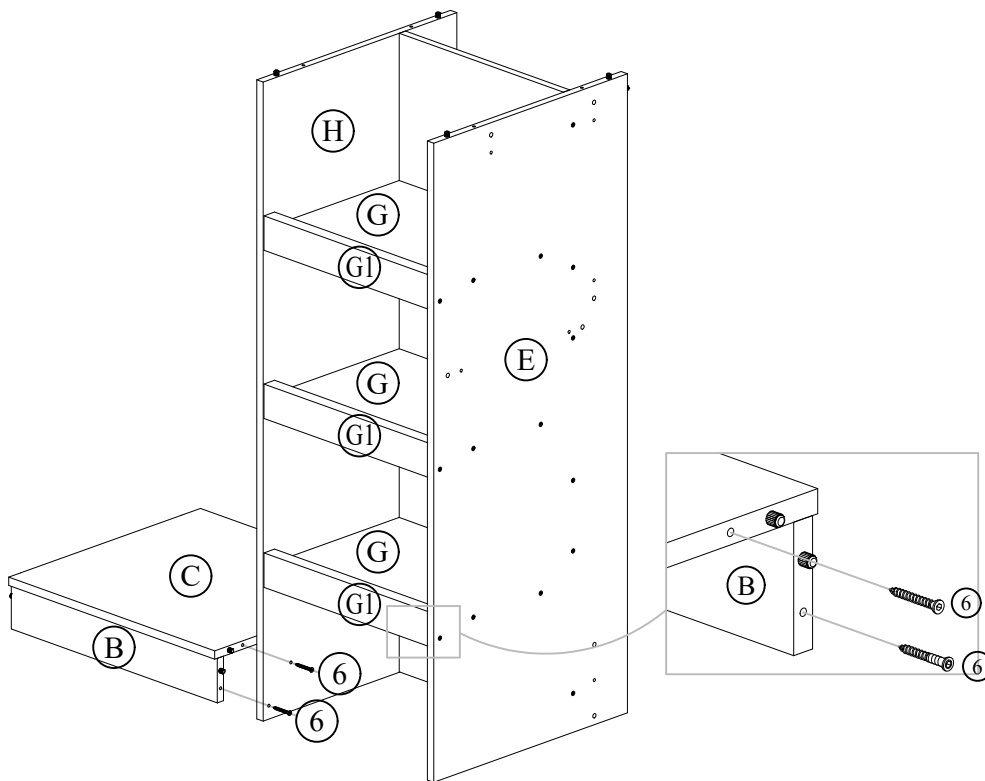
## Step 5



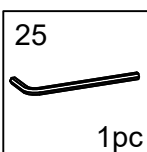
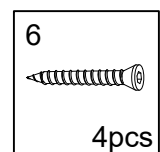
- Install the 8x30mm wood dowel ① into Panel ②,③



## Step 6

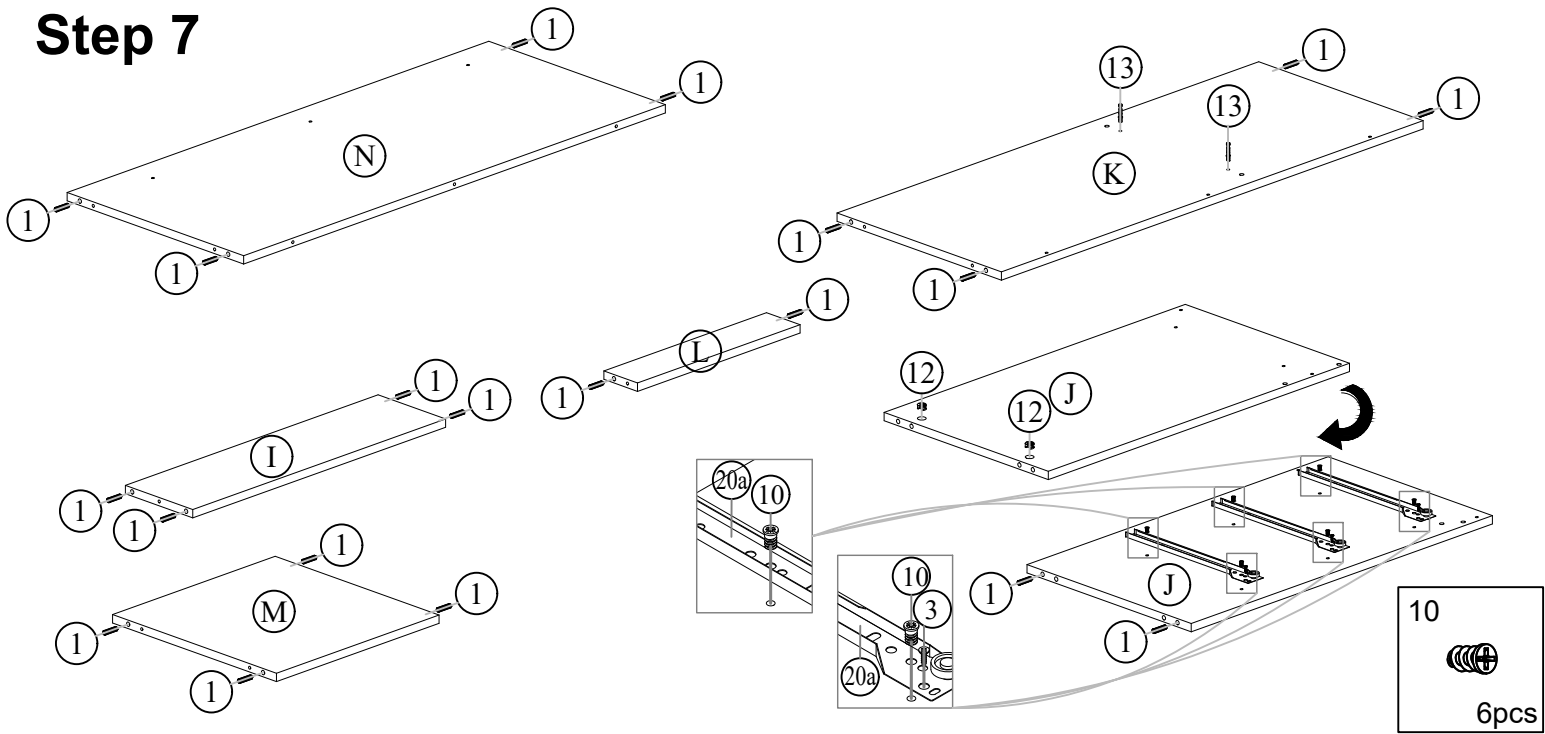


- Connect Panel ②,③ to ④.
- Insert M6X40mm Screws ⑥ and use the Allen Key ⑤ to tighten the M6x40mm Screws securely.

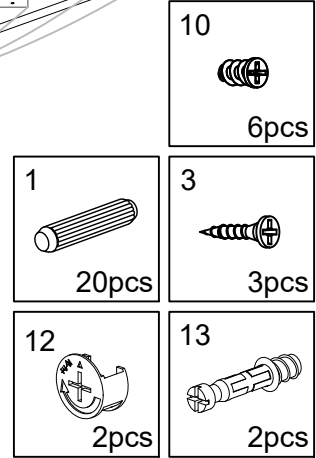


# Assembly Instruction

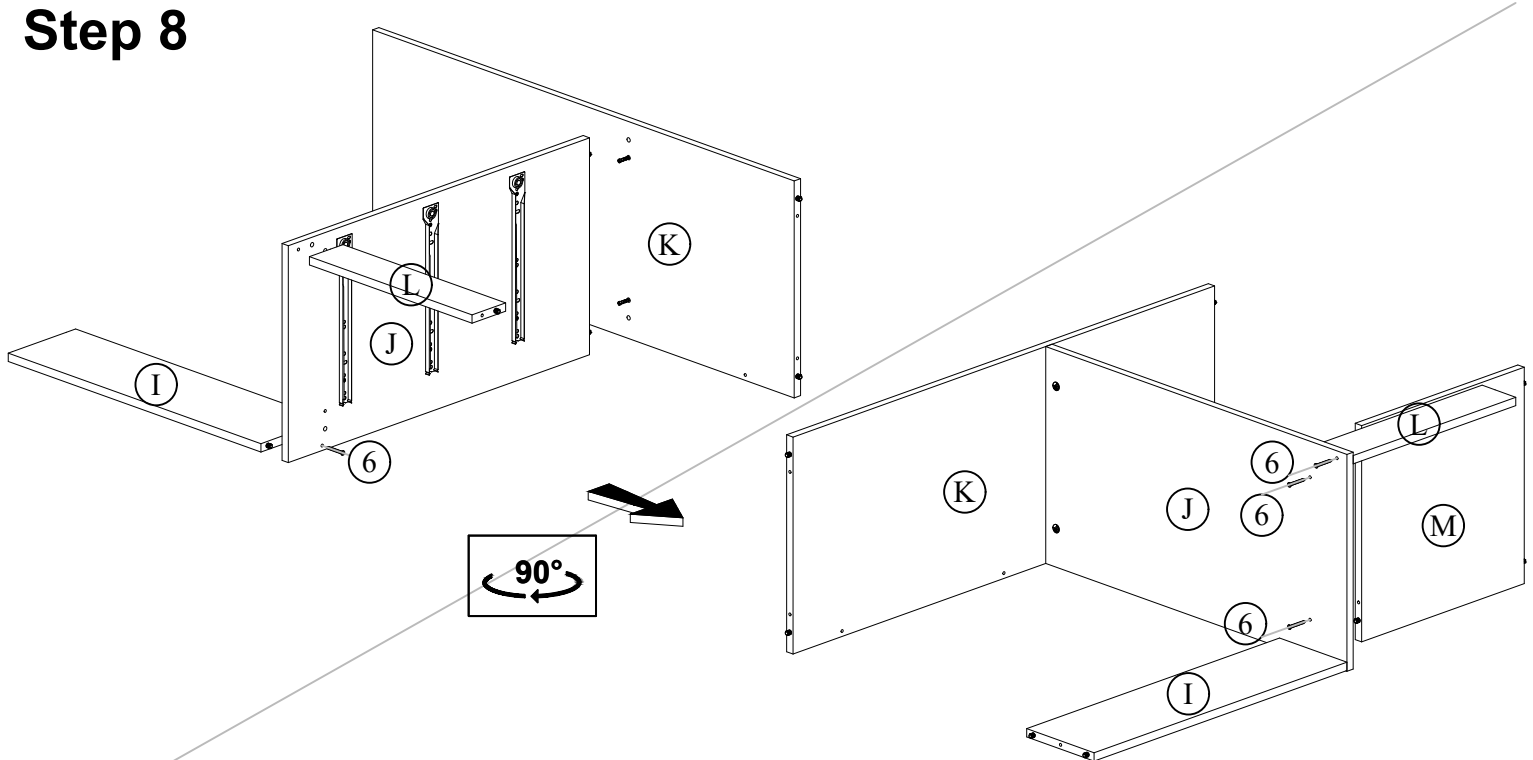
## Step 7



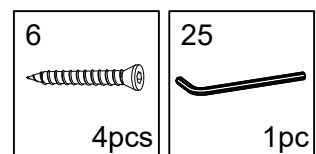
- Install the 8x30mm wood dowel (1) into Panel (I), (J), (K), (L), (M), (N) as shown in the diagram.
- Insert Minifix Nut (12) into Panel (J).
- Insert Minifix Bolt (13) into Panel (K).
- Put Drawer Slide (20a) onto Panel (J) and use Euro Screw (10) and M3.5x14mm Screw (3) to tighten it.



## Step 8

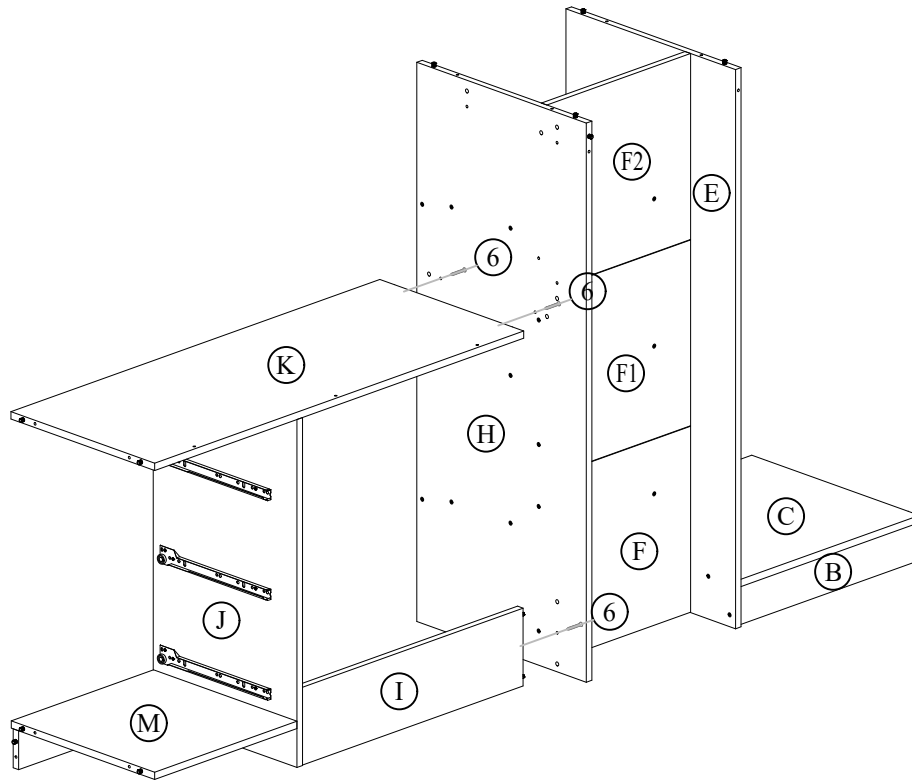


- Assembling Panels (I), (J), (K) and (L) as shown in the diagram.
- Insert M6X40mm Screws (6) to corresponding hole as shown in diagram, and use Allen Key (25) to tighten it securely.
- Then rotate 90° and assemble with Panel (M)
- Repeat insert M6X40mm Screws (6) to corresponding hole as shown in diagram, and use Allen Key (25) to tighten it securely.

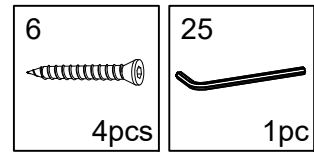


# Assembly Instruction

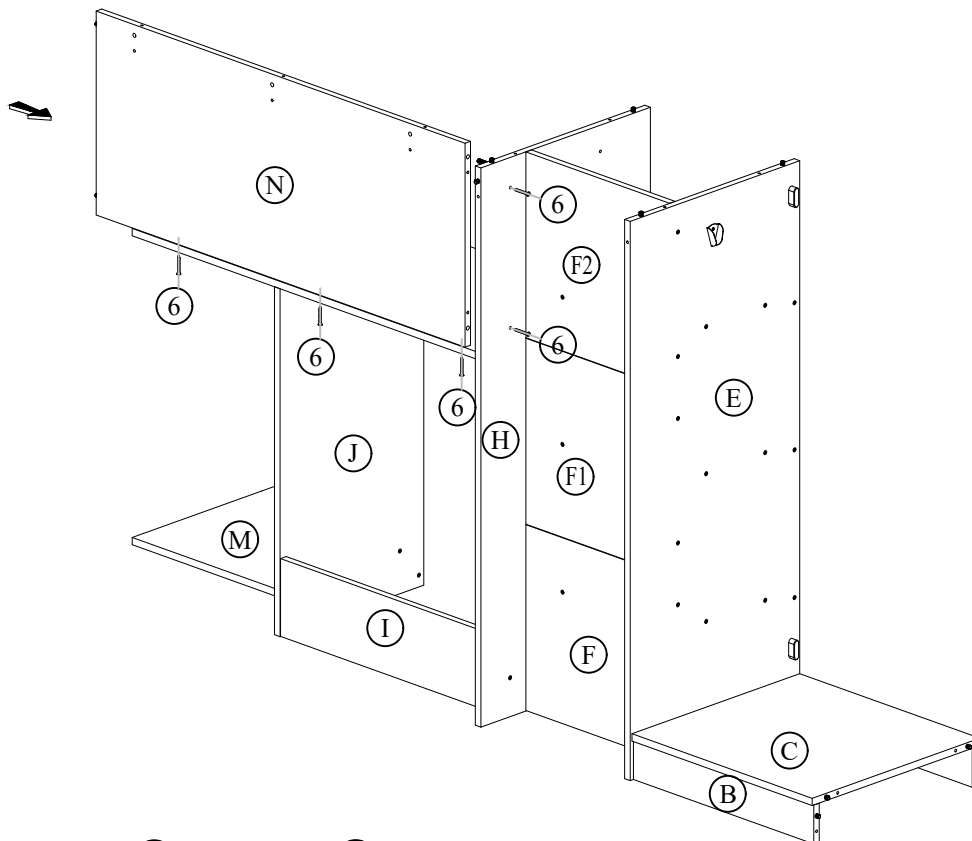
## Step 9



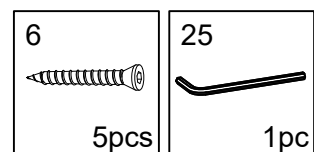
- Connect Panel (I) and (K) to Panel (H).
- Insert M6X40mm Screws (6) and use the Allen Key (25) to tighten the M6x40mm Screws securely.



## Step 10

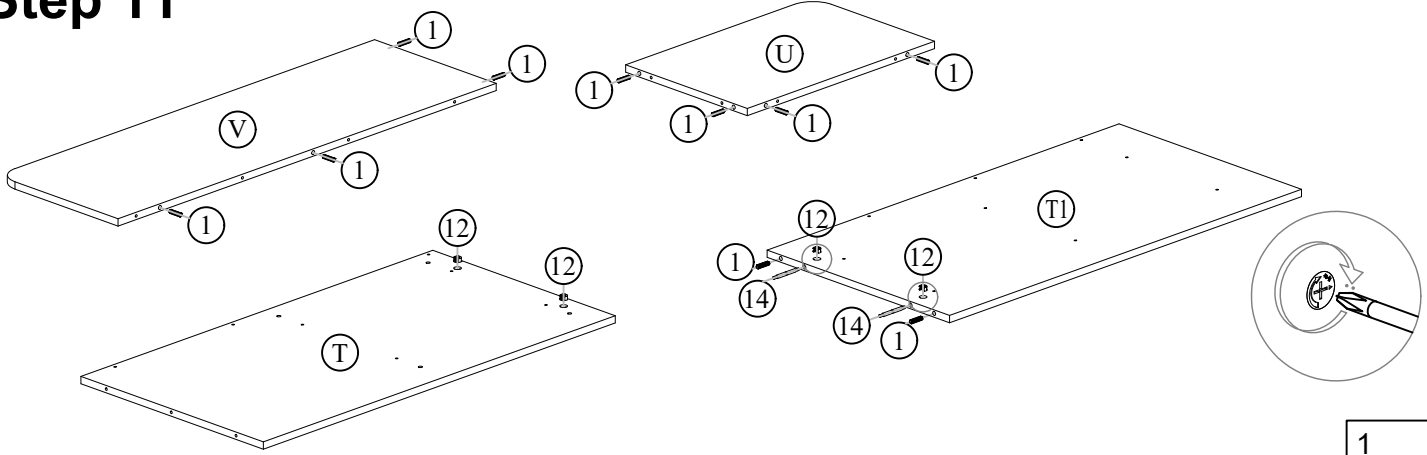


- Connect Panel (N) to Panel (H).
- Insert M6X40mm Screws (6) and use the Allen Key (25) to tighten the M6x40mm Screws securely.

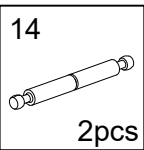
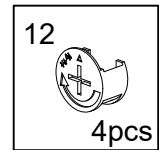
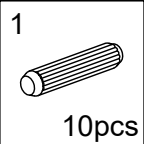


# Assembly Instruction

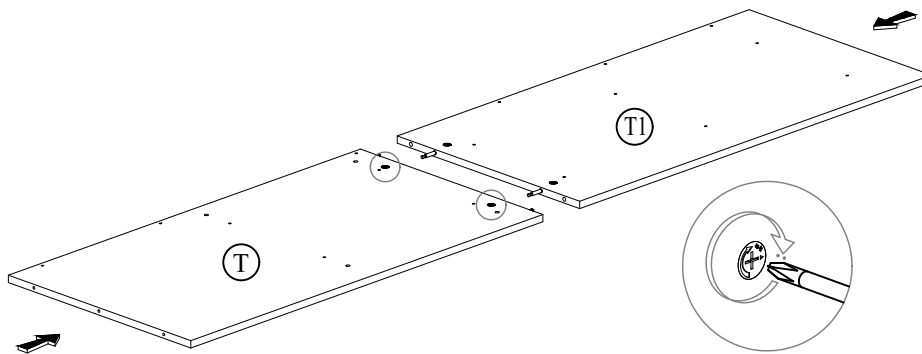
## Step 11



- Install the 8x30mm wood dowel (1) into Panel (U), (V), (T), (T1) as shown in the diagram.
- Insert Minifix Nut (12) into Panel (T), (T1).
- Insert Minifix Stick (14) into Panel (T1) and lock it with screw driver

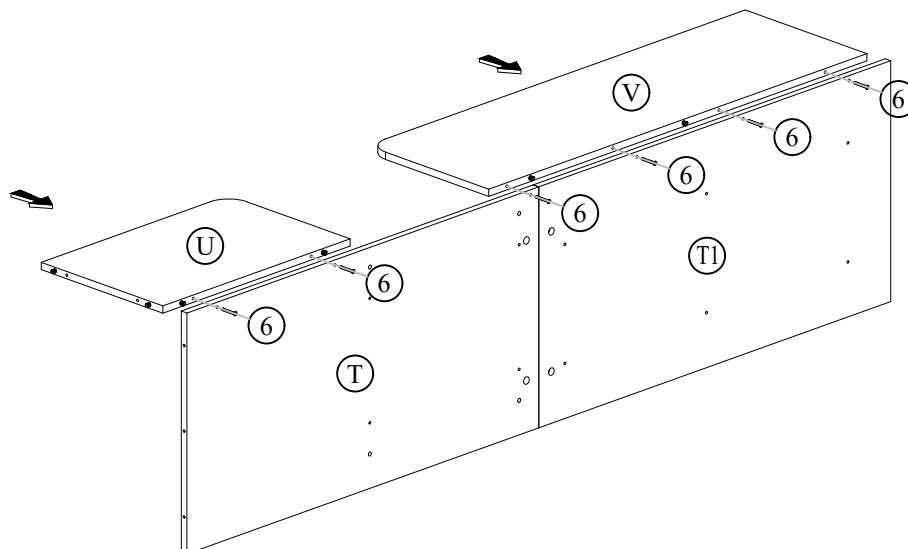


## Step 12

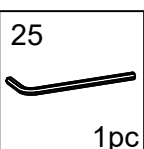
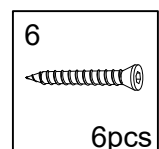


- Check Intersect part of Panel (T) and (T1), lock the Minifix Nut with screw driver

## Step 13

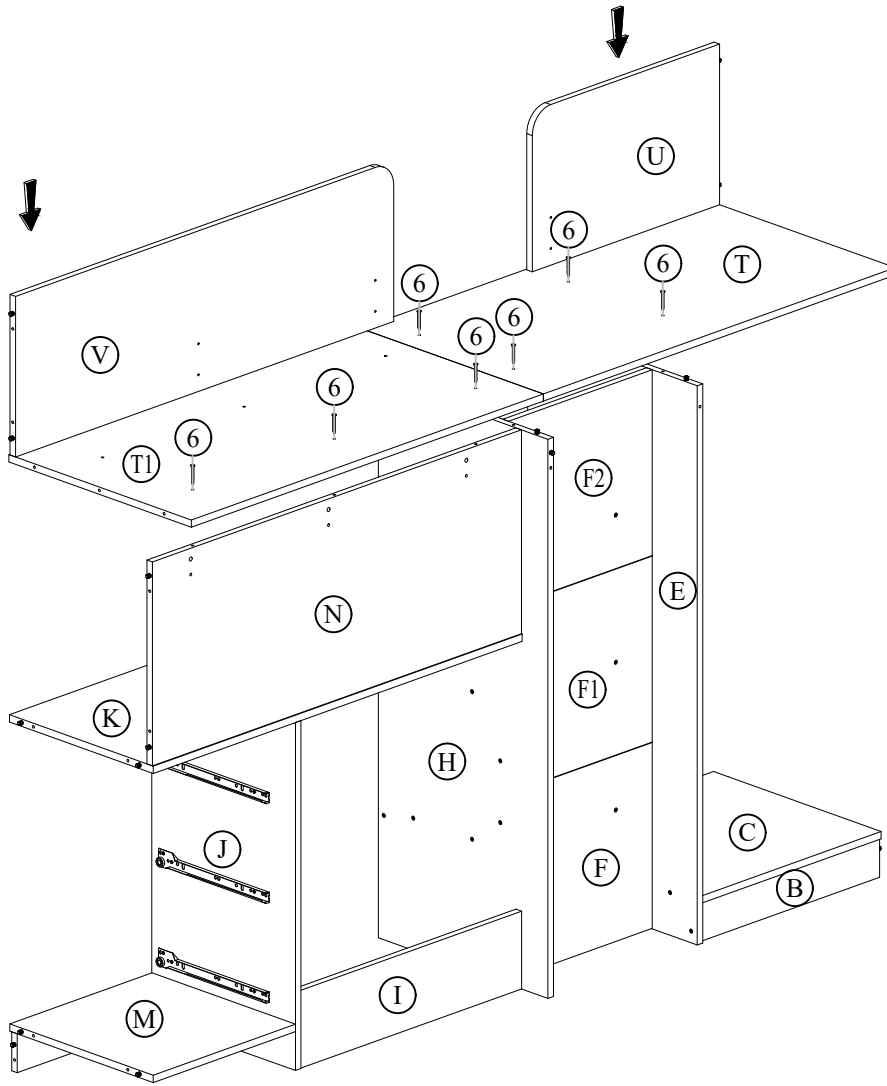


- Connect Panel (U) to (T) and Panel (V) to (T1).
- Insert M6X40mm Screws (6) and use the Allen Key (25) to tighten the M6x40mm Screws securely.

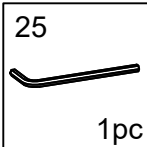
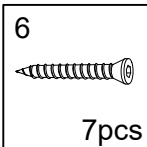


# Assembly Instruction

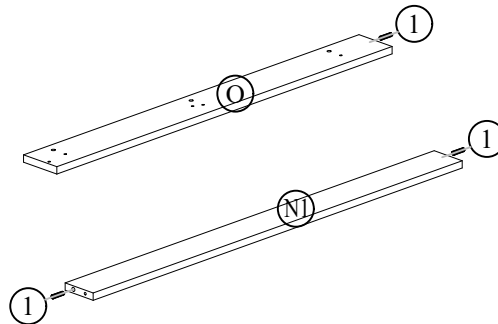
## Step 14



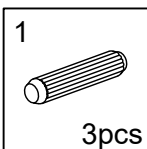
- Place Panel (T) and (T1) on Panel (N), (E), (H).
- Insert M6X40mm Screws (6) and use the Allen Key (25) to tighten the M6x40mm Screws securely.



## Step 15

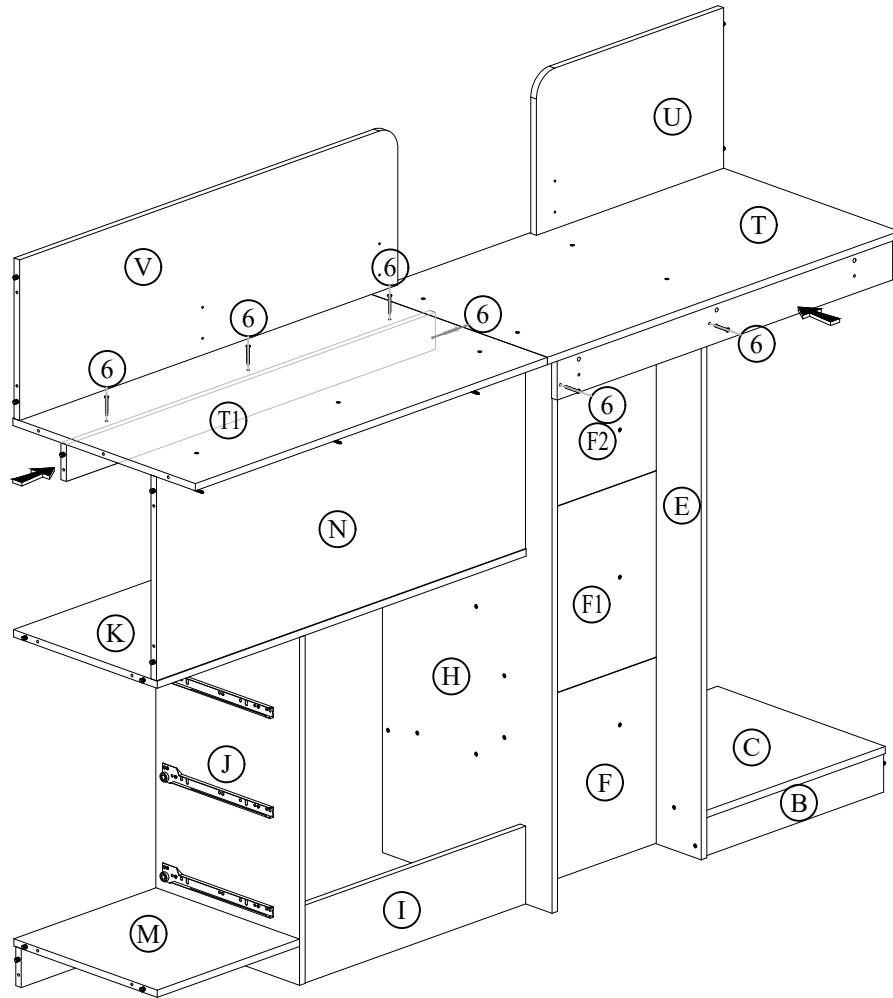


- Install the 8x30mm wood dowel (1) into Panel (O), (N1) as shown in the diagram.

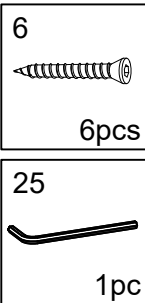


# Assembly Instruction

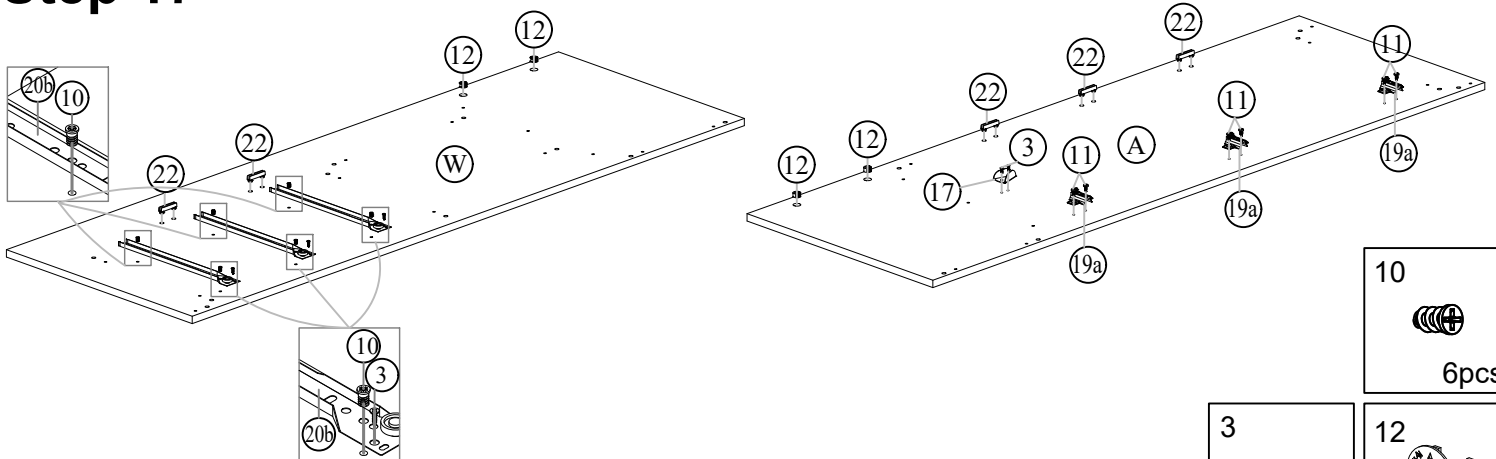
## Step 16



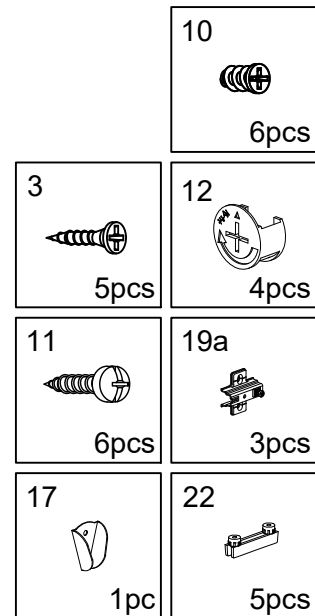
- Connect Panel (N) to (H) and Panel (U) to (H), (E).
- Insert M6X40mm Screws (6) and use the Allen Key (25) to tighten the M6x40mm Screws securely.



## Step 17

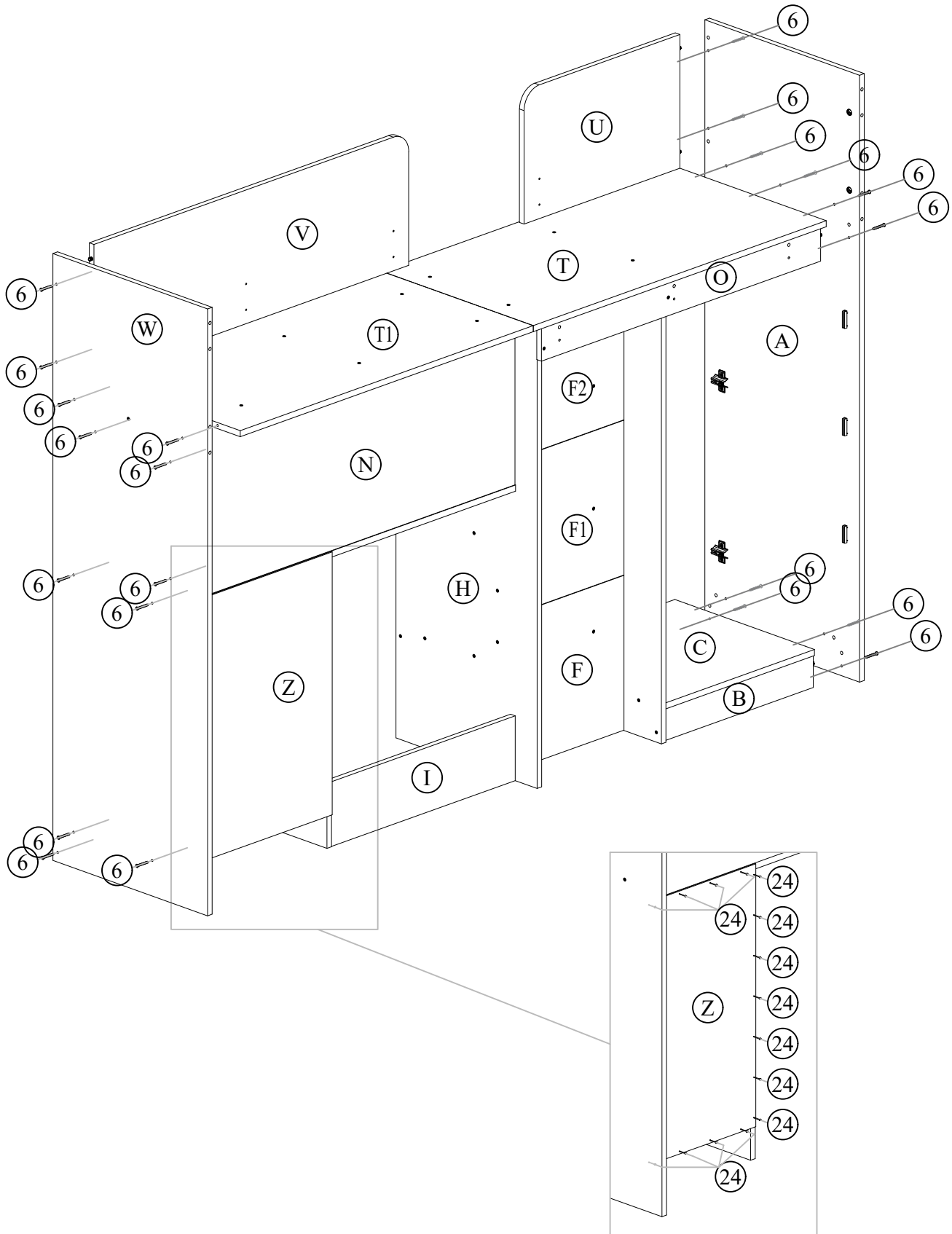


- Install mini fix nuts (12) in Panel (A) and Panel (W) as shown in the diagram.
- Install the MDF Support (22) into Panel (A), (W).
- The V Bracket (17), use the M3.5x14mm screws (3) to attach them to Panel (A)
- Place Hinges Plate (19a) on Panel (A) and tighten it with TP 10#x1/2" Screw (11)
- Put Drawer Slide (20b) onto Panel (W) and use Euro Screw (10) and M3.5x14mm Screw (3) to tighten it.

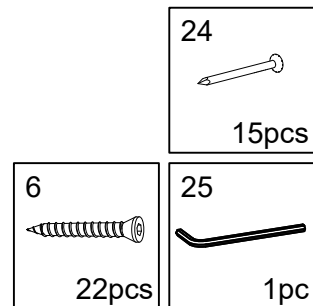


# Assembly Instruction

## Step 18

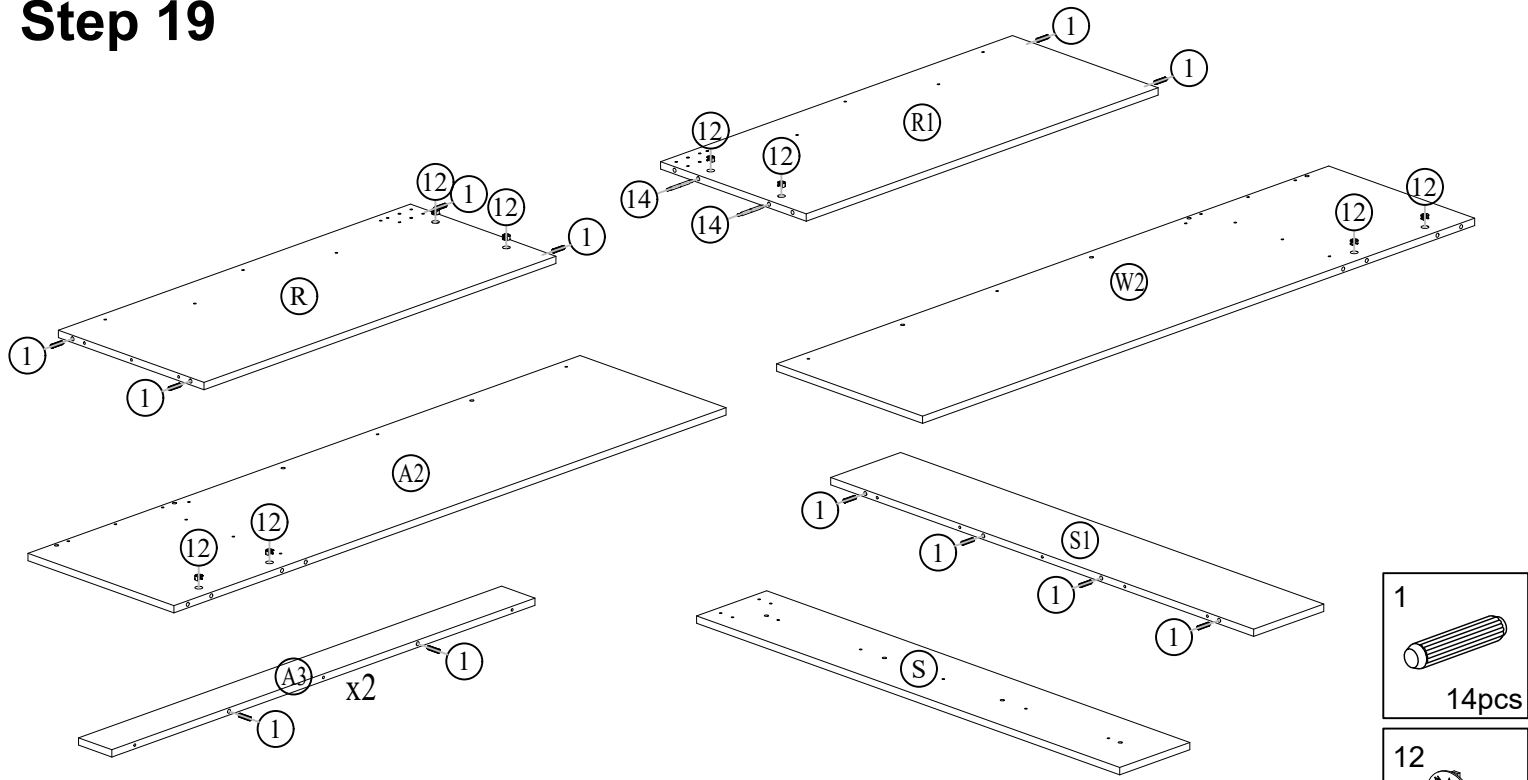


- Connect Panel (W) to (K), (L), (M), (N), (N1), (T1), (V).
- Connect Panel (A) to (B), (C), (O), (T), (U).
- Insert M6X40mm Screws (6) and use the Allen Key (25) to tighten the M6x40mm Screws securely.
- Attach Panel (Z) to Panel (W).
- Then hammered Nails (24) to the corresponding position as shown in diagram.



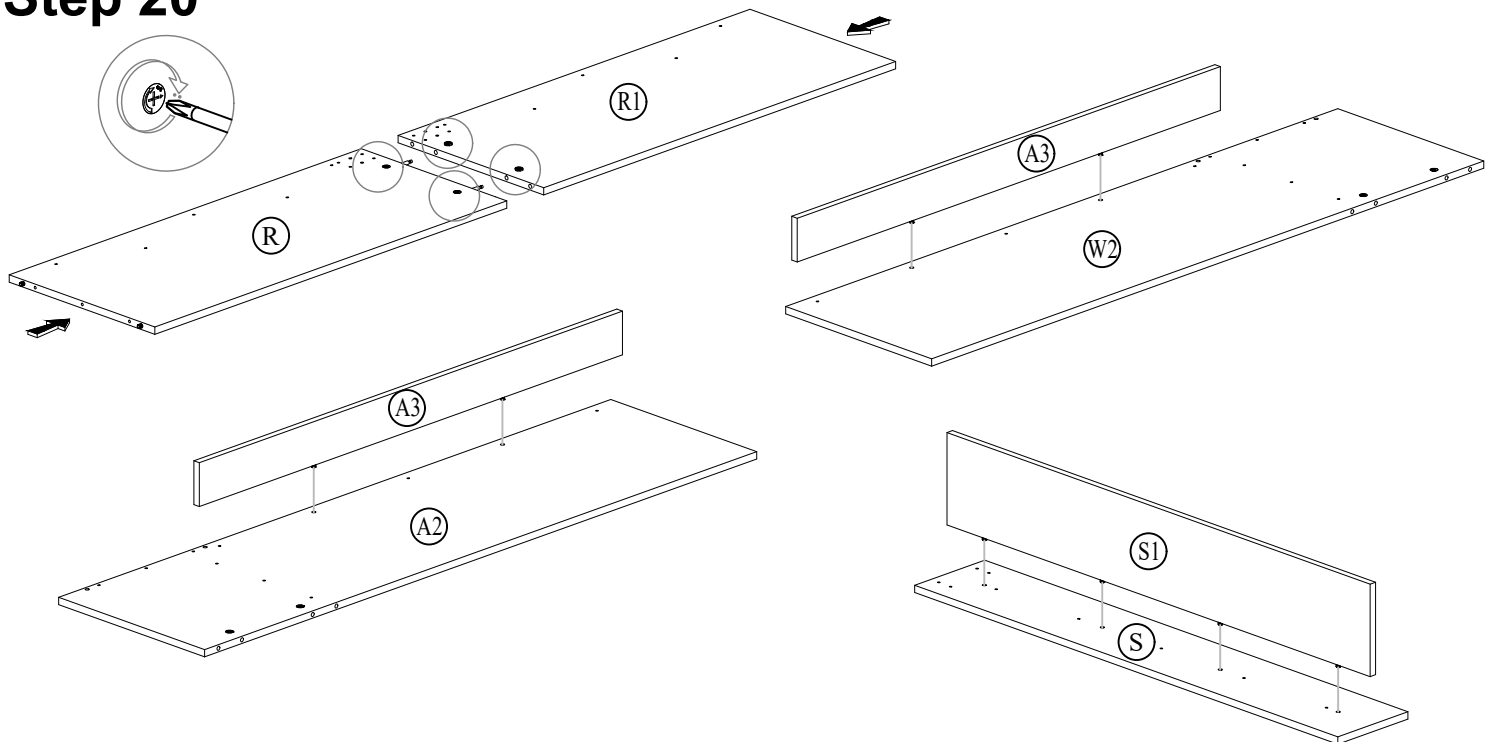
# Assembly Instruction

## Step 19



- Install the 8x30mm wood dowel (1) into Panel (A3), (R), (R1) and (S1) as shown in the diagram.
- Insert Minifix Nut (12) into Panel (A2), (R), (R1) and (W2).
- Insert Minifix Stick (14) into Panel (R1) and lock it with screw driver

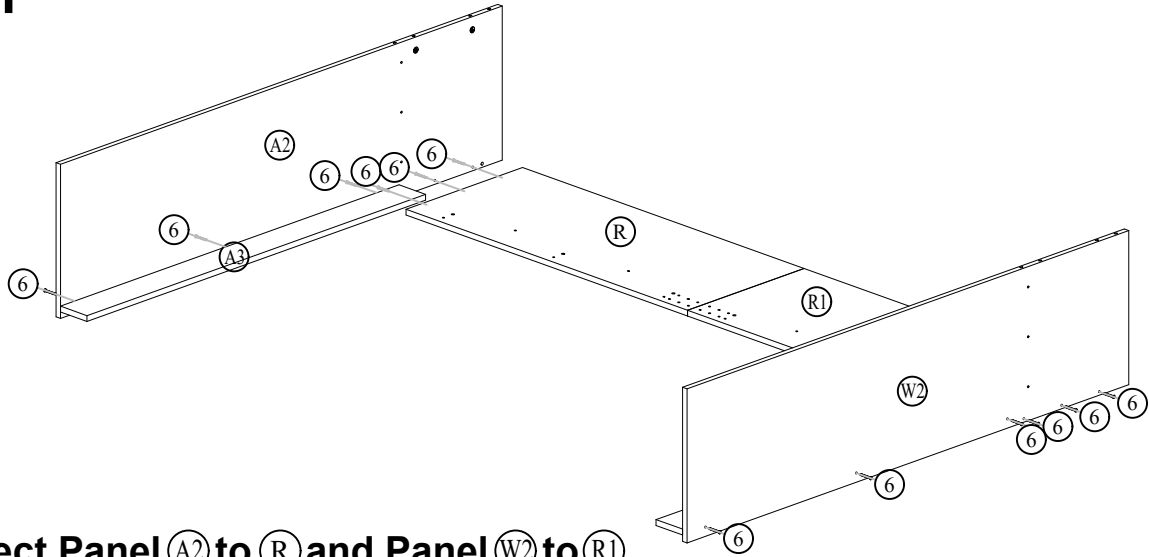
## Step 20



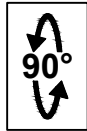
- Connect Panel (R) and (R1), then lock the Minifix Nut with screw driver.
- Connect Panel (A2) and (A3) as shown in diagram.
- Connect Panel (W2) and (A3) as shown in diagram.
- Connect Panel (S) and (S1) as shown in diagram.

# Assembly Instruction

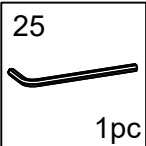
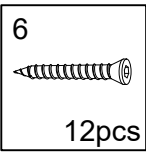
## Step 21



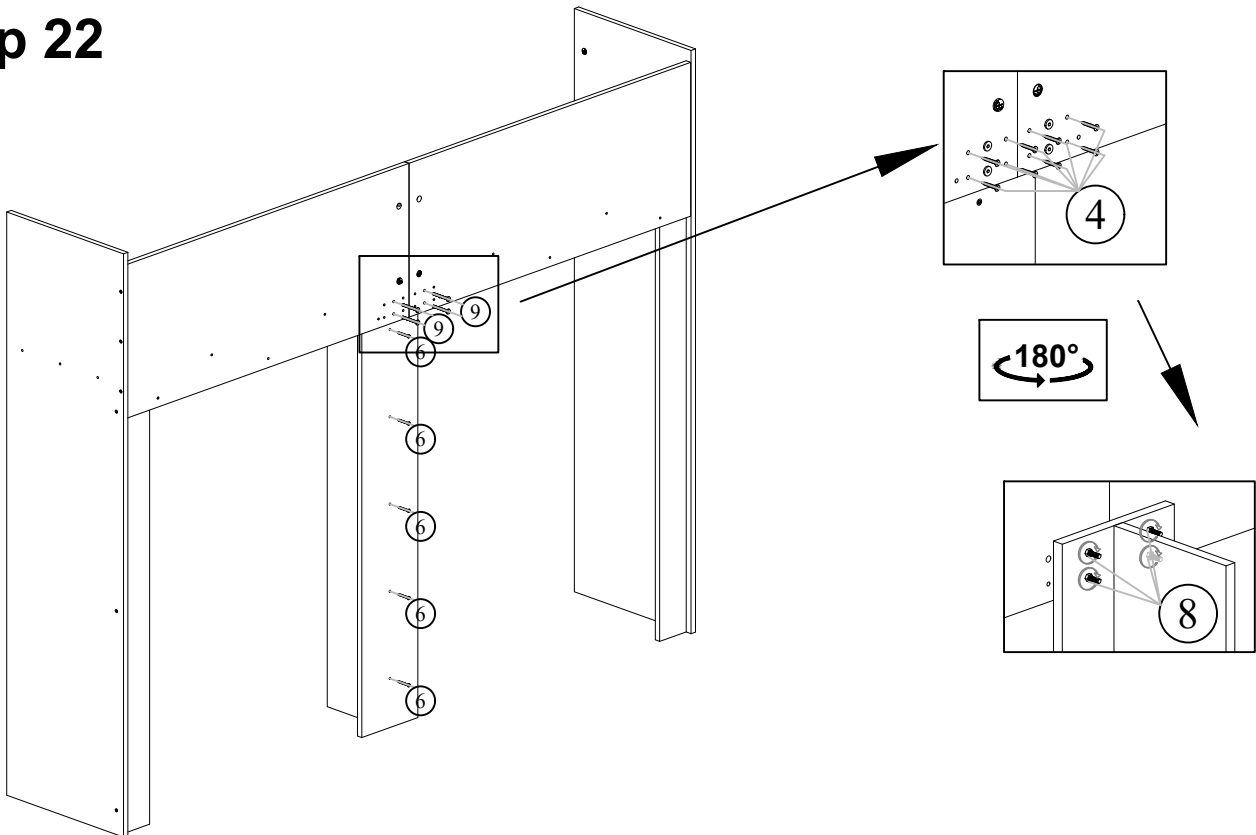
- Connect Panel (A2) to (R) and Panel (W2) to (R1) .
- Insert M6X40mm Screws (6) to corresponding hole as shown in diagram.
- Use the Allen Key (25) to tighten the M6x40mm Screws (6) securely.



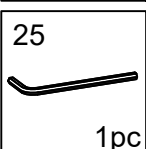
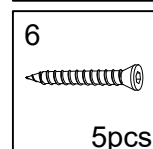
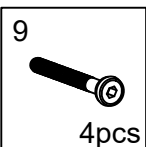
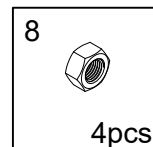
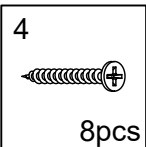
➔ Step 20



## Step 22

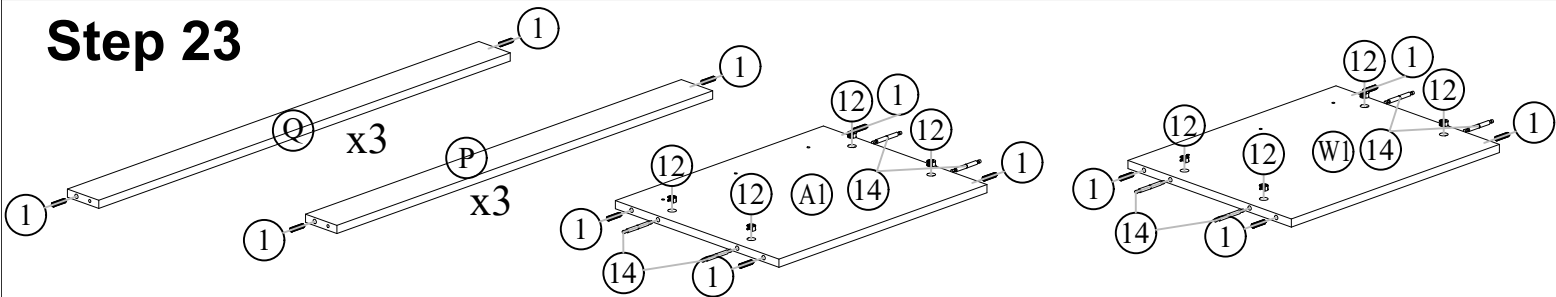


- Insert JCBC M6x50mm Bolt (9) to corresponding hole as shown in diagram.
- Insert M4x28mm Screw (4) to corresponding hole as shown.
- Go to another side of same part, attach M6 Nut (8) to M6x50mm Bolt then spin it clockwise to tighten it
- Insert M6x40mm Screw (6) to corresponding hole as shown, using Allen Key (25) to tighten it.

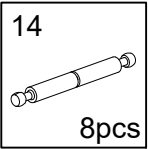
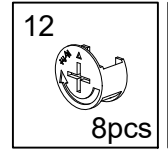
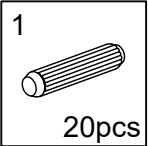


# Assembly Instruction

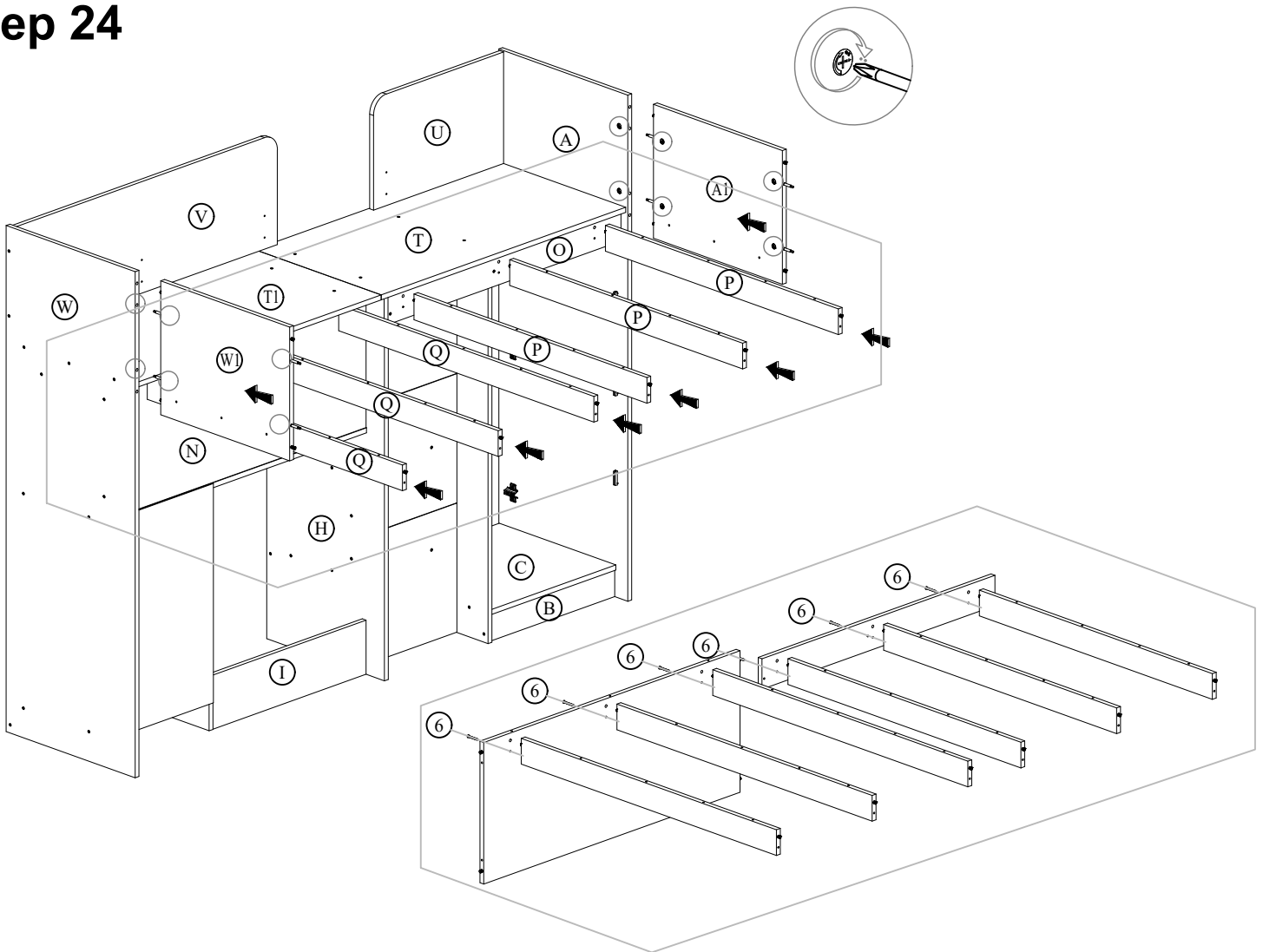
## Step 23



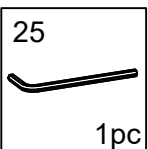
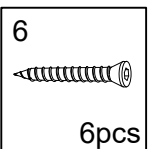
- Install the 8x30mm wood dowel (1) into Panel (Q), (P), (A1) and (W1) as shown in the diagram.
- Install mini fix nuts (12) in Panel (A1) and Panel (W1) as shown in the diagram.
- Insert Minifix Stick (14) into Panel (A1) and (W1), then lock it with screw driver



## Step 24

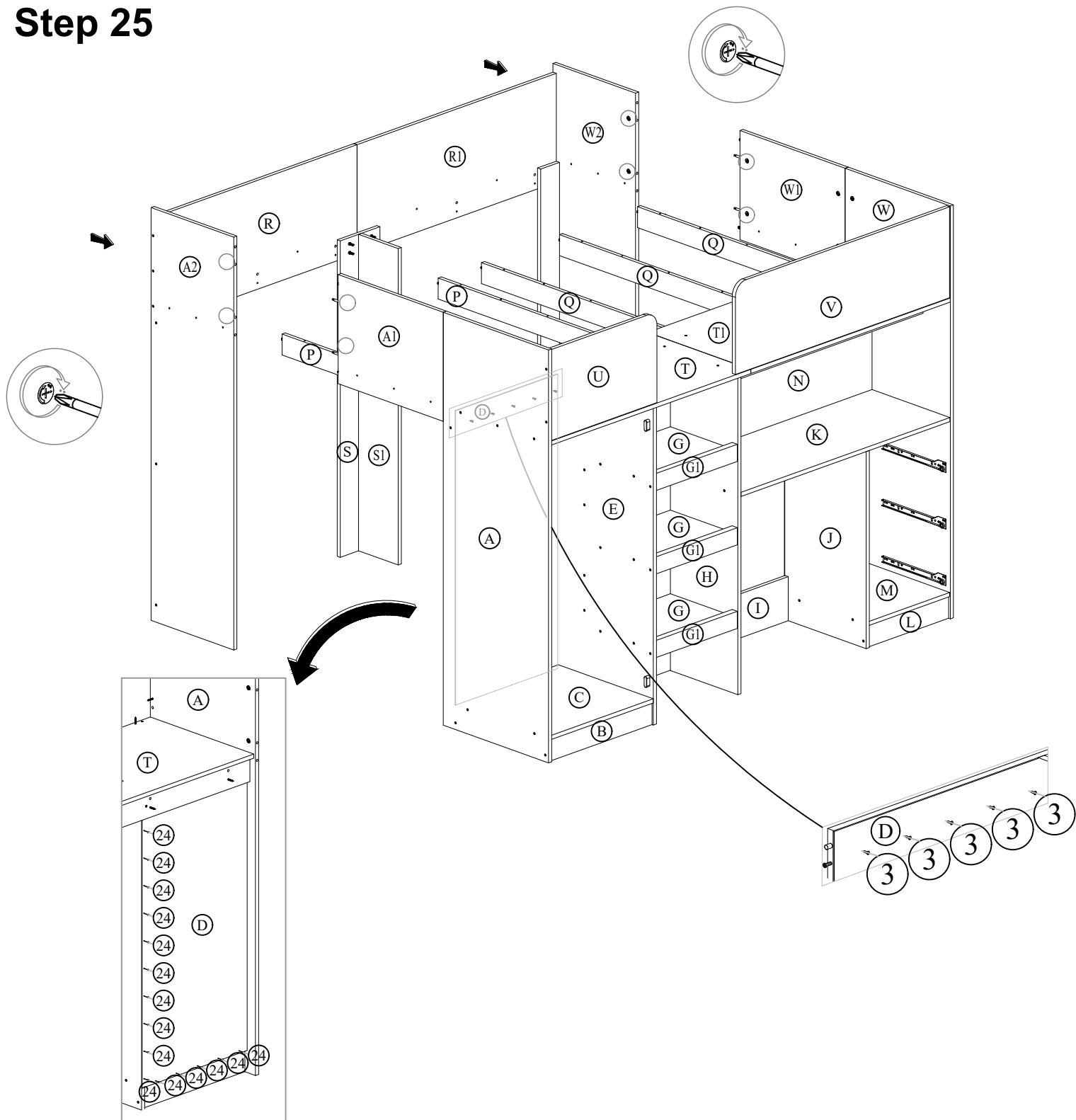


- Connect Panel (A1) with (A); Panel (W1) with (W). Then use screw driver to tighten the Minifix Nut.
- Attach Panel (Q) to (N); Panel (P) to (O).
- Insert M6x40mm Screw (6) to corresponding hole as shown, using Allen Key (25) to tighten it.

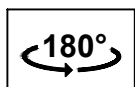


# Assembly Instruction

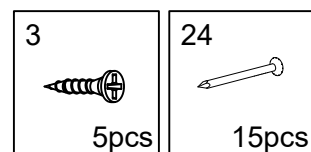
## Step 25



- Connect Part from Step 21 and Part from Step 23.
- Check Intersect part of Panel (A1) and (A2); Panel (W1) and (W2).  
Then lock the Minifix Nut with screw driver
- Check back of Panel (A), attach Panel (D) to Panel (A) and (E).
- Then hammered Nails (24) to the corresponding position as shown in diagram.
- Look into space between Panel (A) and (E), insert M3.5x14mm Screw (3) to tighten Panel (D) with (O).

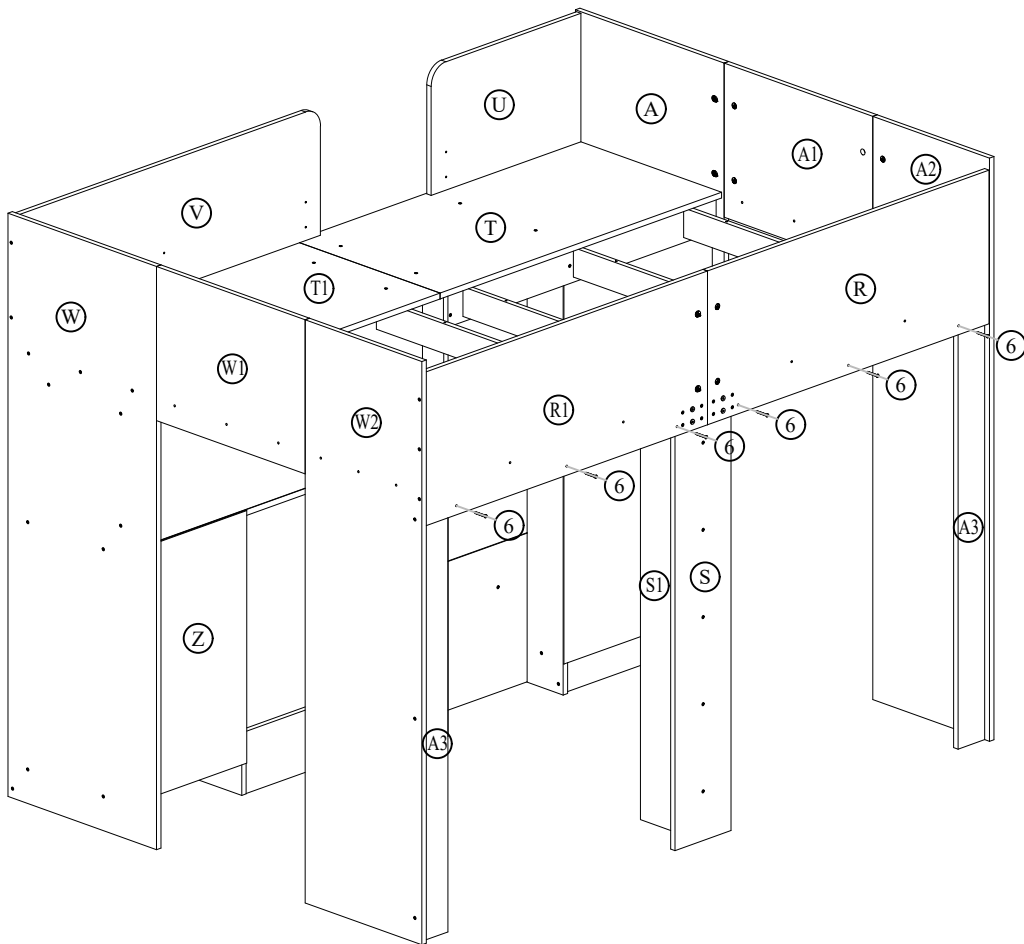


➔ Step 25

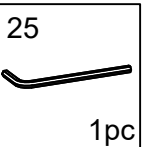
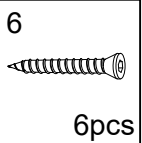


# Assembly Instruction

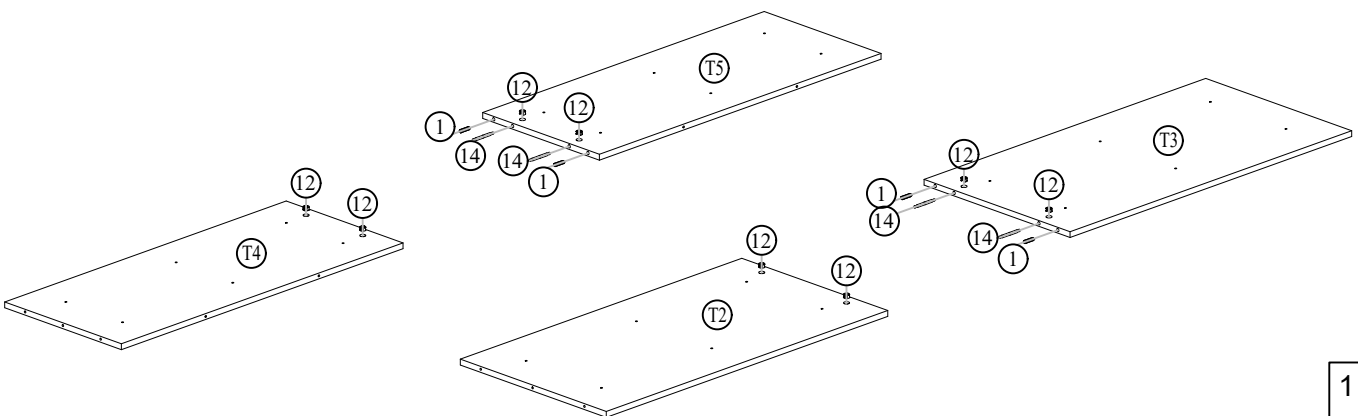
## Step 26



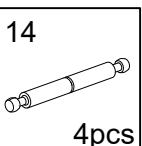
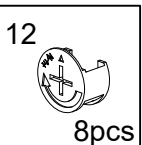
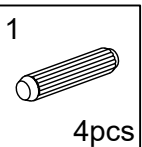
- Insert M6x40mm Screw (6) to corresponding hole as shown, using Allen Key (25) to tighten it.



## Step 27

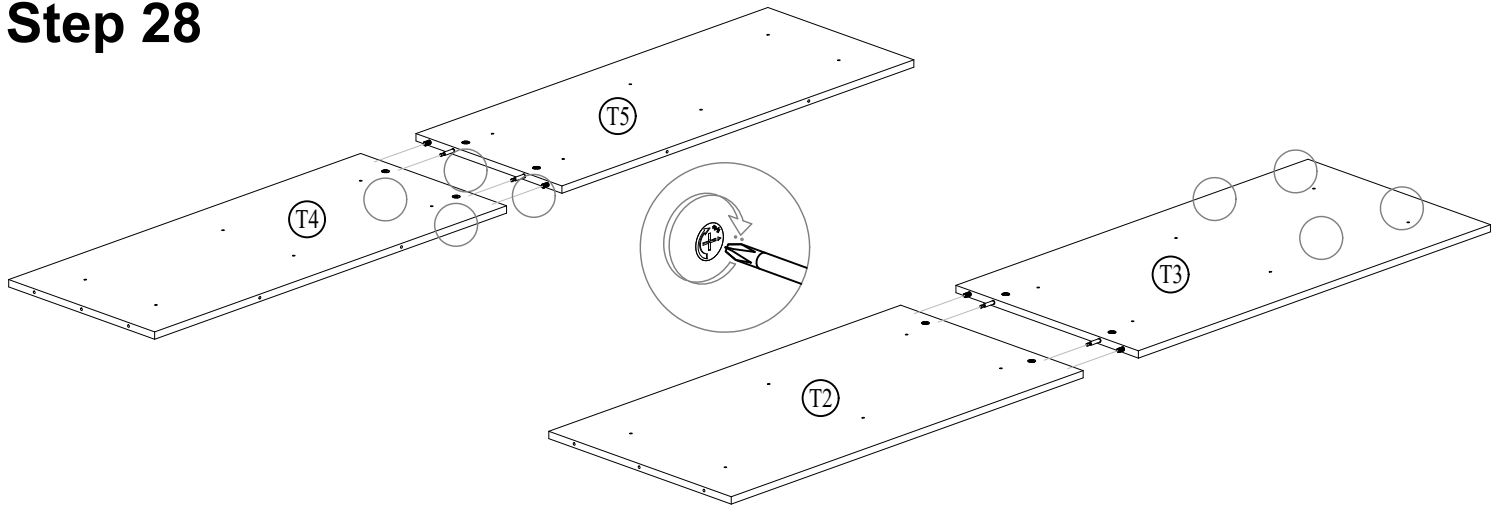


- Install the 8x30mm wood dowel (1) into Panel (T2), (T3), (T4) and (T5) as shown in the diagram.
- Insert Minifix Nut (12) into Panel (T2), (T3), (T4) and (T5).
- Insert Minifix Stick (14) into Panel (T3), (T5) then lock it with screw driver



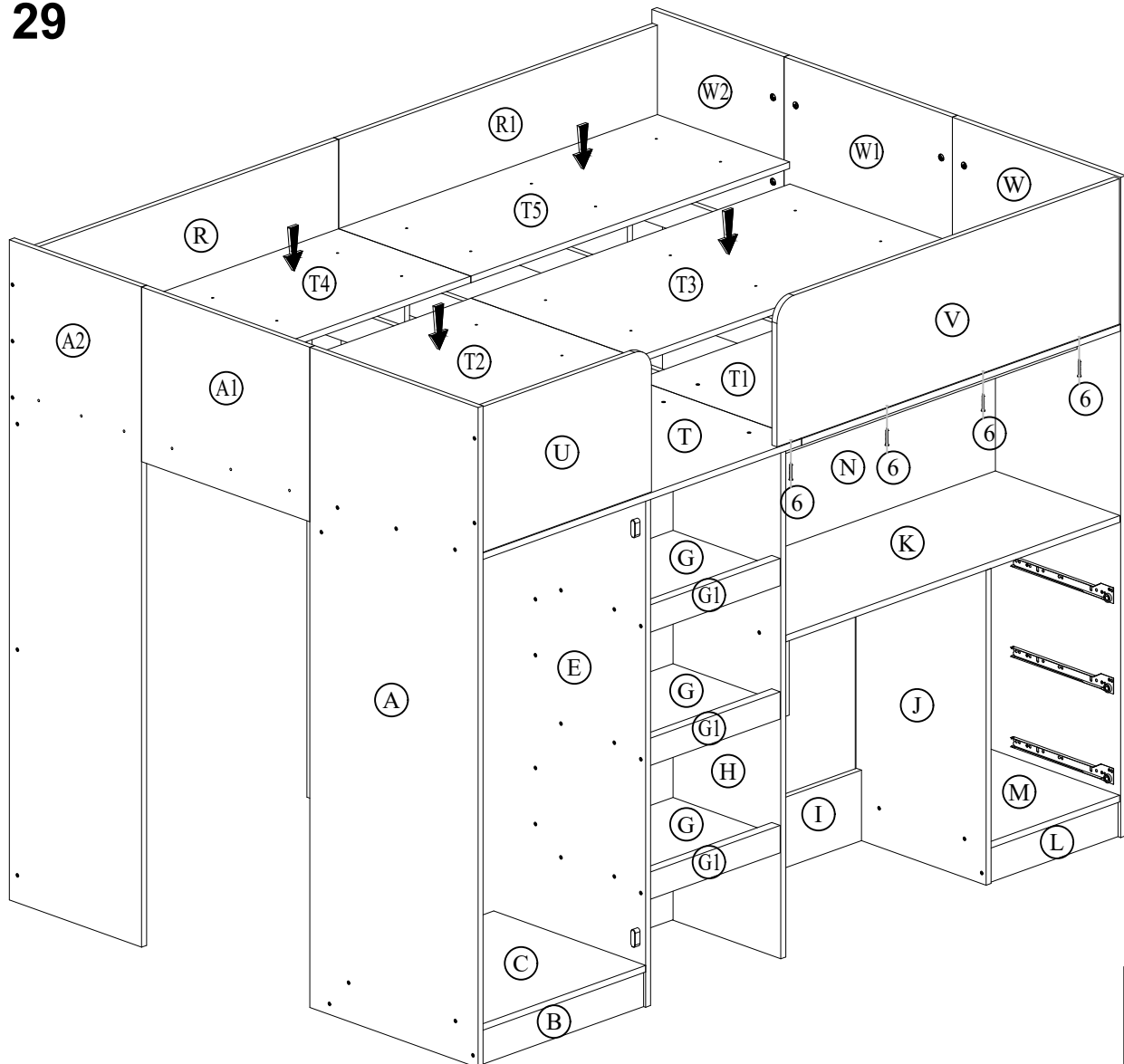
# Assembly Instruction

## Step 28

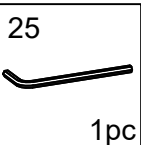
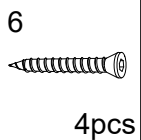


- Connect Panel (T2) and (T3); Panel (T4) and (T5).
- Check Intersect part of Panel (T2) and (T3); Panel (T4) and (T5).  
Then lock the Minifix Nut with screw driver.

## Step 29

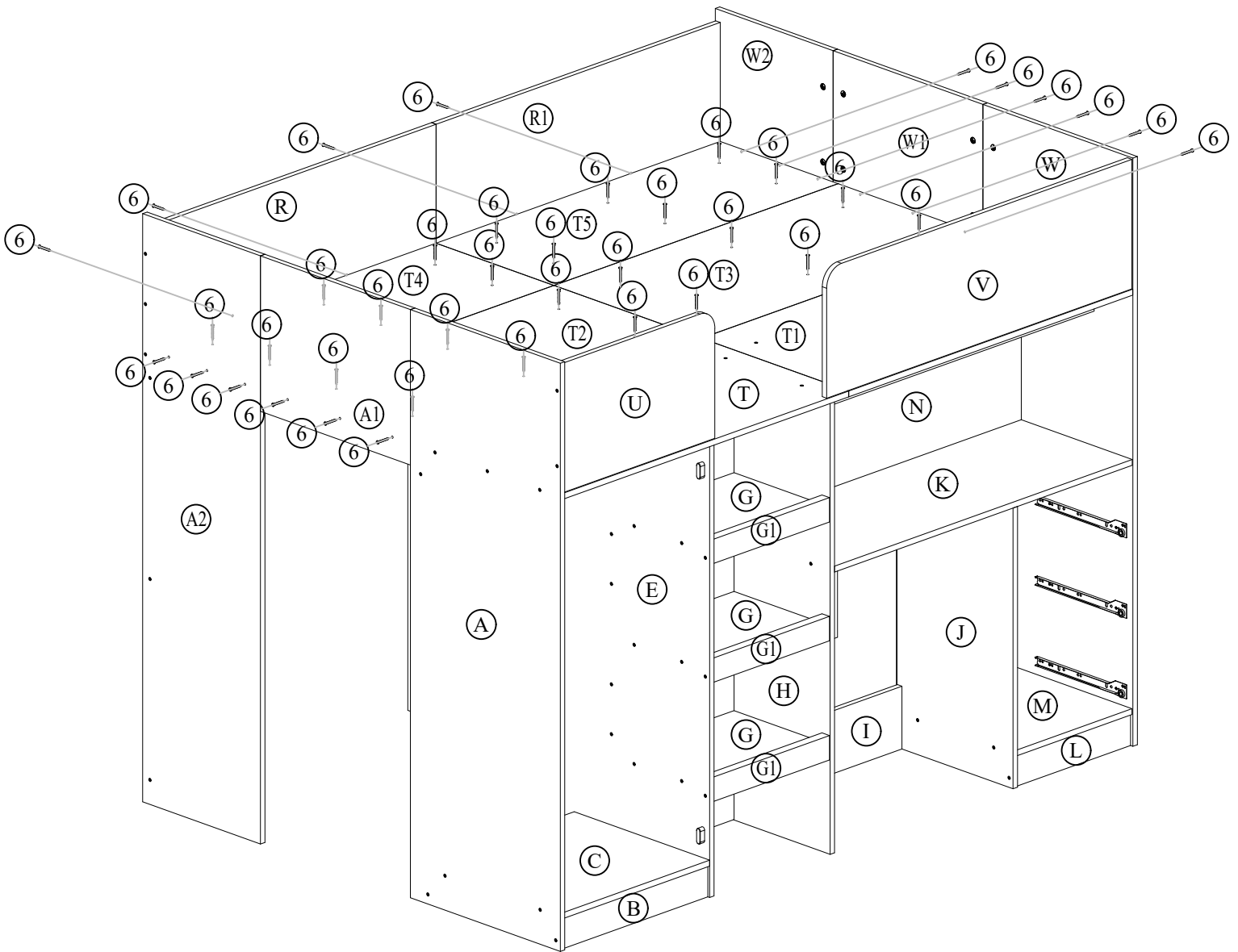


- Put Panel (T2), (T3) on Panel between (A1) and (W1).
- Put Panel (T4), (T5) on Panel between (A2) and (W2).
- Insert M6x40mm Screw (6) to corresponding hole as shown, using Allen Key (25) to tighten it.

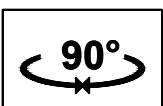


# Assembly Instruction

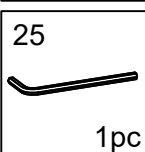
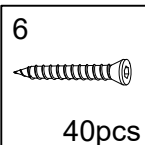
## Step 30



- Insert M6x40mm Screw (6) to corresponding hole as shown, using Allen Key (25) to tighten it.

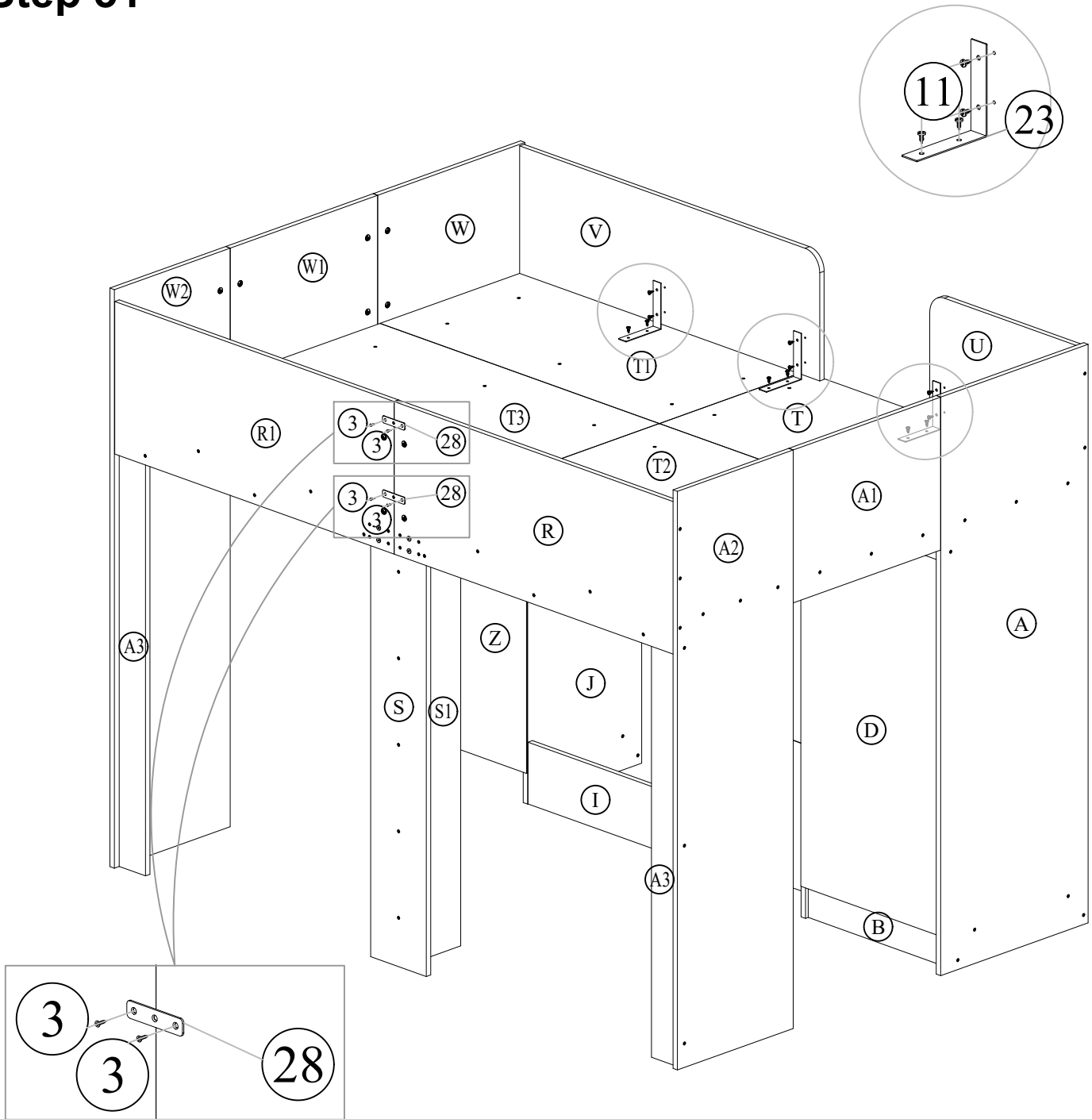


➔ Step 30

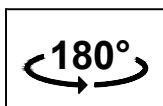


# Assembly Instruction





## Step 31



- Place L Bracket (23) to where Panel (U) and (V) has a marked hole as shown in diagram.
- Insert TP 10#x1/2" Screw (11) to corresponding hole as shown, using screw driver to tighten it.
- Place Metal Bracket (28) between Panel (R) and (R1).
- Then use the M3.5x14mm screws (3) to attach them as indicated in the diagram.

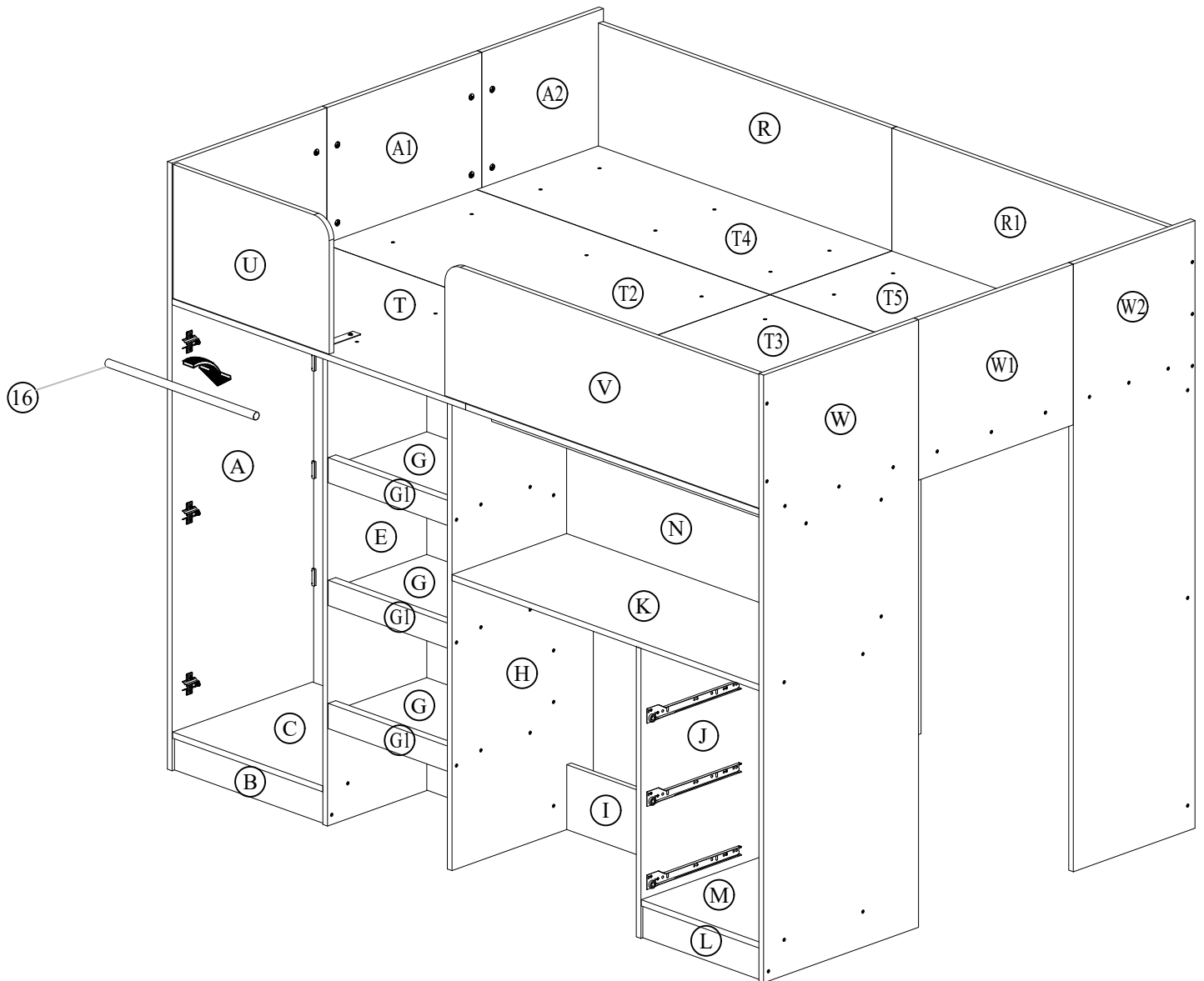


➔ Step 31

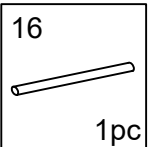
3  4pcs	28  2pcs
11  12pcs	23  3pcs

# Assembly Instruction

## Step 32

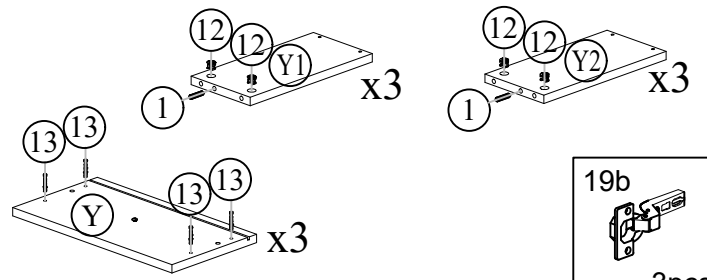
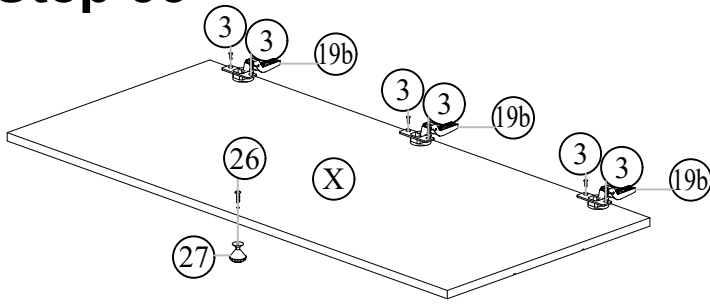


- Put the cylinder pipe ①⑥ on V-bracket between Panel ① and ①.

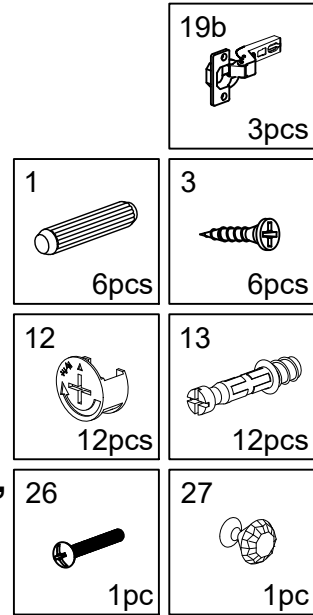


# Assembly Instruction

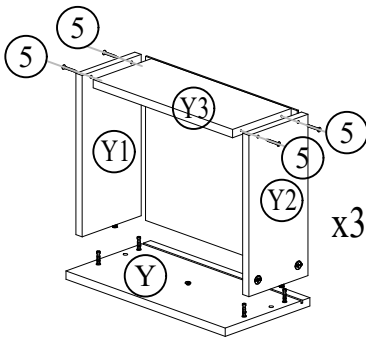
## Step 33



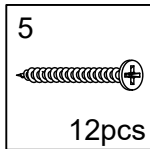
- Install the 8x30mm wood dowel (1) into Panel (Y1), (Y2) as shown in the diagram.
- Insert Minifix Nut (12) into Panel (Y1), (Y2).
- Insert Minifix Bolt (13) into Panel (Y).
- Place Hinges (19b) into Panel (X) as shown in diagram, then use M3.5x14mm Screw (3) to tighten it.
- Insert Handle Screw (26) into the hole as displayed on Panel (X), then connect it to Diamond Handle (27). Use a screw driver to driven it clockwise to make it tight.



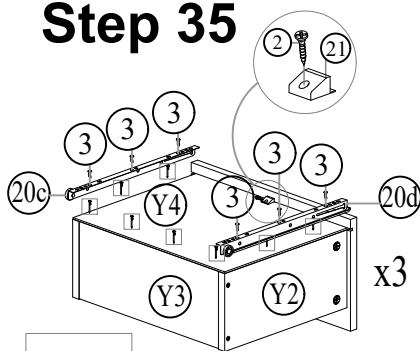
## Step 34



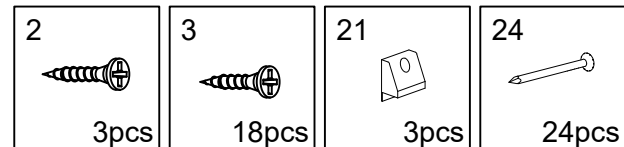
- Attach Panel (Y1), (Y2) to (Y3) using Screw M4x32mm (5).
- Then connect them to Panel (Y).



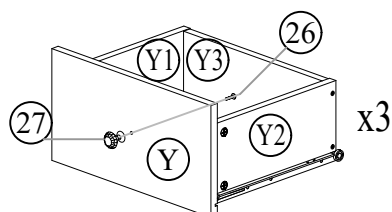
## Step 35



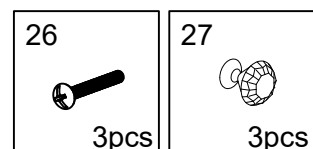
- Put Panel (Y4) on bottom of Drawer.
- Hammered Nail (24) on position as displayed.
- Insert backply stopper (21) at Drawer Front (Y).
- Using screw M3.1x16mm (2) to tighten (21).
- Place Drawer Slide (20c), (20d) at Panel (Y1) and (Y2).
- Use M3.5x14mm screw (3) and driven into corresponding hole as shown in diagram.



## Step 36

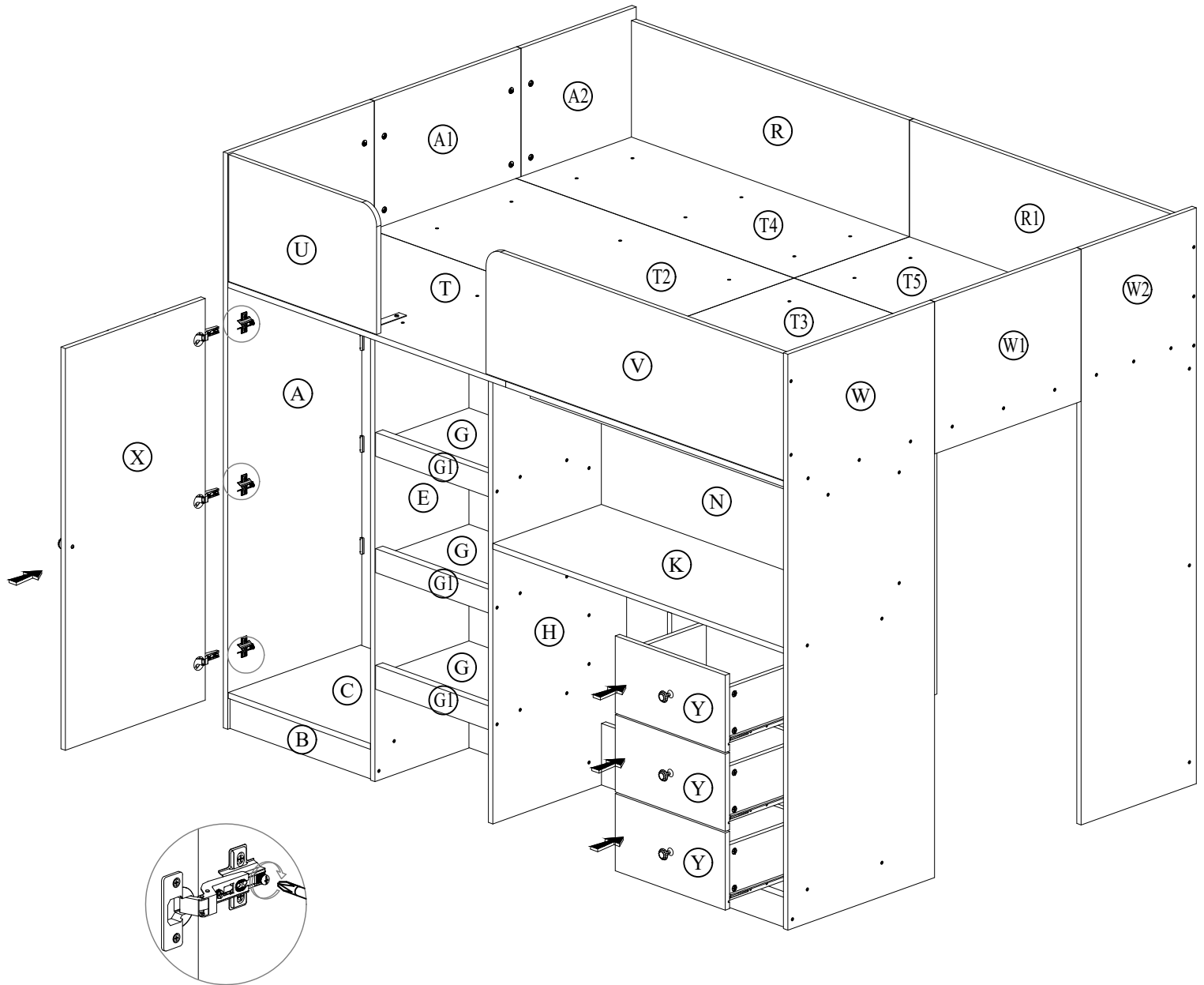


- Insert Handle Screw (26) into the hole as displayed on Panel (Y) then connect it to Diamond Handle (27). Use a screw driver to driven it clockwise to make it tight.



# Assembly Instruction

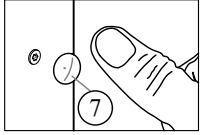
## Step 37



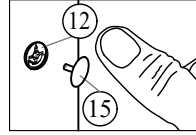
- Attach Panel (X) to Panel (A), where Hinges attach to Hinges Plate.
- Use Screw driver to tighten the Hinges as shown in diagram.
- Put the 3 drawers (Y) into and attached to the drawer slide.

# Assembly Instruction

## Step 38



\* Cover all the screw (6) 's head with the pvc cap provided by pushing the cover's stem onto the hole of screw head.



\* Cover all the mini fix (nuts) (12) 's head with the pvc cap provided by pushing the cover's stem onto the hole mini fix (nuts).

## Complete

