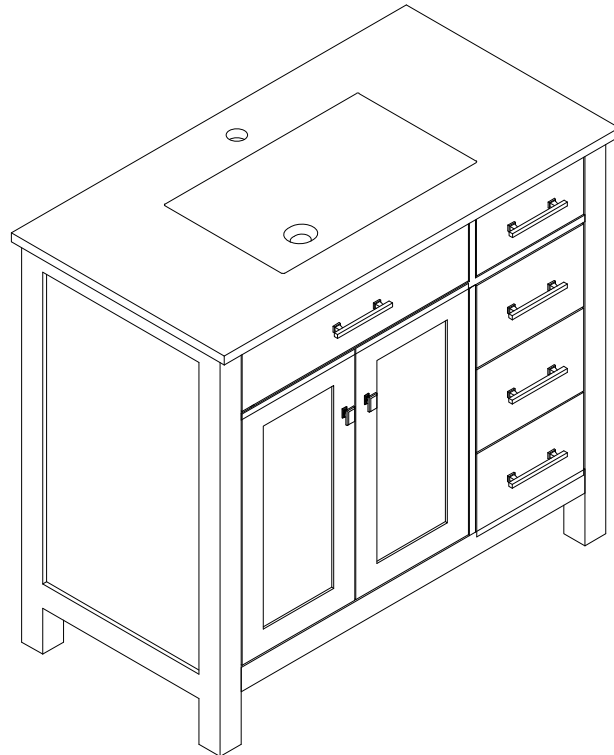


Dinard 37" Single Vanity With 3 Drawers & 2 Doors

White

ASSEMBLY INSTRUCTIONS



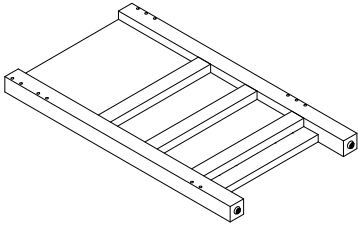
Thank you for purchasing this quality product. Be sure to check all packing material carefully for small parts, which may have come loose inside the carton during shipment. Count all parts and material hardware, then compare with parts list to be sure all parts are present. If any parts are missing or damaged, phone, fax, or mail to our Customer Service Department for efficient and speedy service. Please indicate the model number and code letter of part(s) needed.

NOTE: In order to prevent damage during assembly, please assemble this item with at least two people.

IMPORTANT NOTE: Follow instructions listed below in proper sequence as numbered to assure fast, easy and correct assembly.

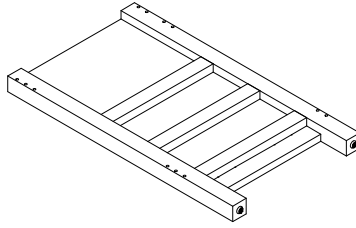
PARTS LIST

1



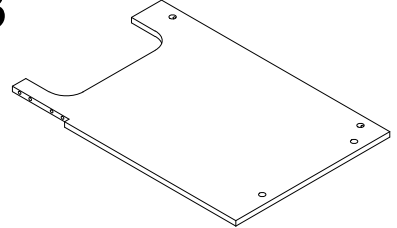
LEFT PANEL-1PC

2



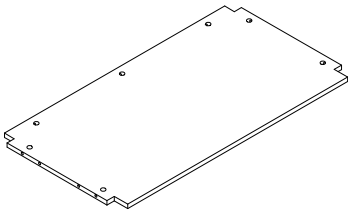
RIGHT PANEL-1PC

3



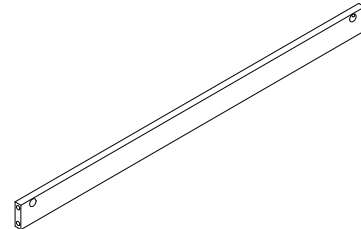
STAND PANEL-1PC

4



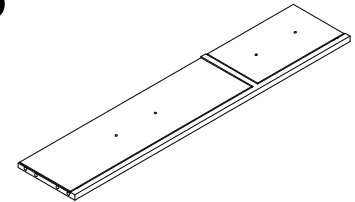
BOTTOM PANEL -1PC

5



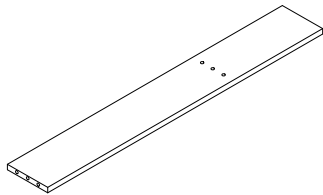
BOTTOM RAIL-1PC

6



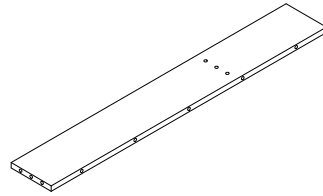
FRONT PANEL -1PC

7



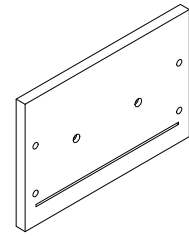
TOP BACK PANEL-1PC

8



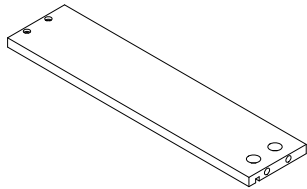
BELOW BACK PANEL-1PC

9



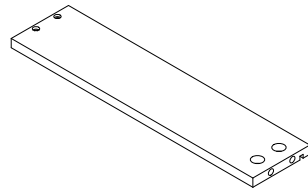
DRAWER FRONT-3PCS

10



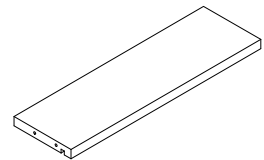
DRAWER SIDE LEFT-3PCS

11



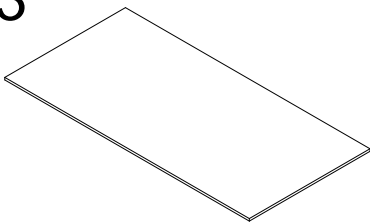
DRAWER SIDE RIGHT-3PCS

12



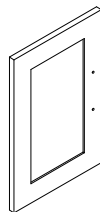
DRAWER BACK-3PCS

13



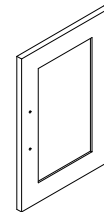
DRAWER BOTTOM-3PCS

14



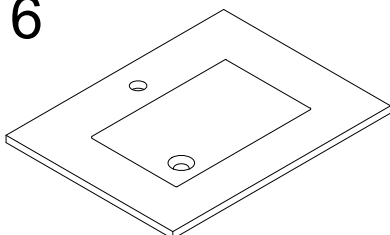
LEFT DOOR-1PC

15





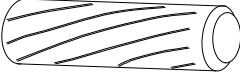
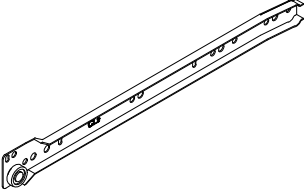
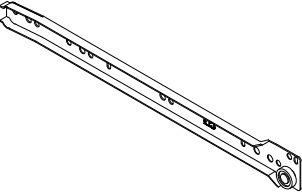
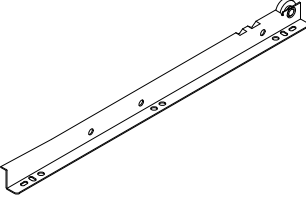
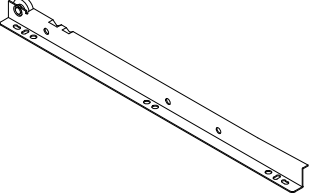
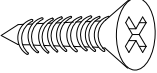
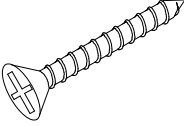


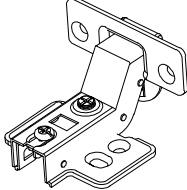
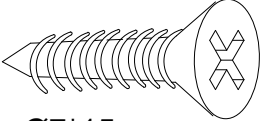
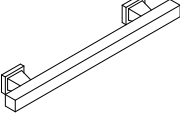
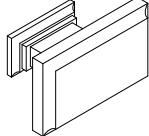
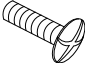

RIGHT DOOR-1PC

16

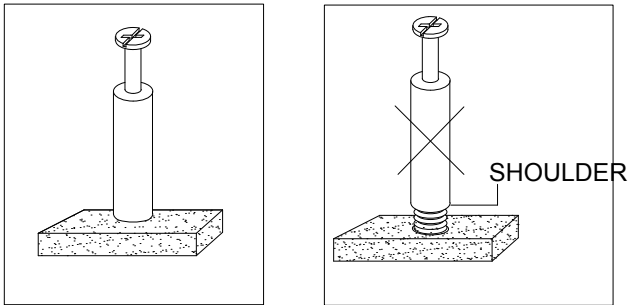


SINK-1PC

HARDWARE LIST

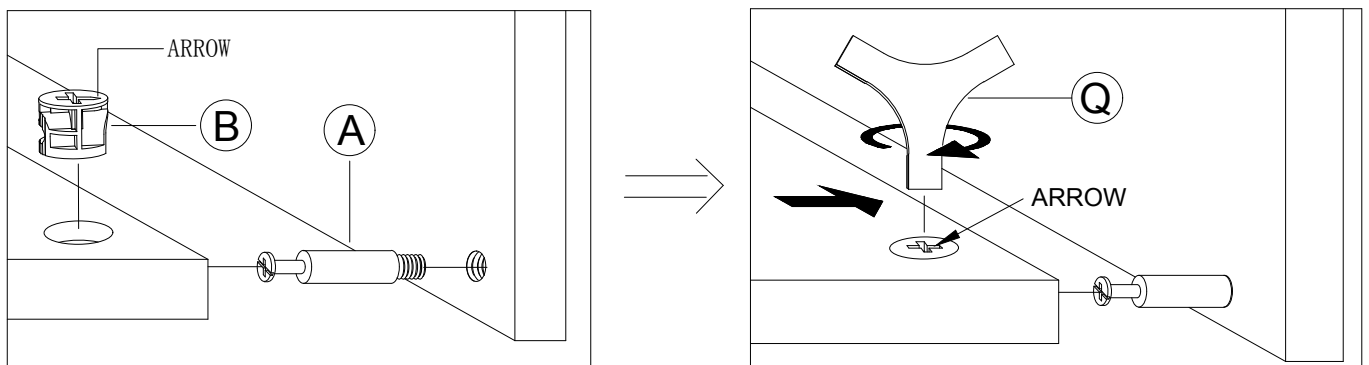
<p>A M6*35mm</p>  <p>CAM-BOLTS - 32PCS</p>	<p>B Ø15*12mm</p>  <p>CAM-LOCKS-32PCS</p>	<p>C Ø8*30mm</p>  <p>DOWELS-28PCS</p>
<p>D</p>  <p>FEMALE SLIDING LEFT-3PCS</p>	<p>E</p>  <p>FEMALE SLIDING RIGHT-3PCS</p>	<p>F</p>  <p>MALE SLIDING LEFT-3PCS</p>
<p>G</p>  <p>MALE SLIDING RIGHT-3PCS</p>	<p>H Ø6*12mm</p>  <p>SCREW - 42PCS</p>	<p>I Ø6*25mm</p>  <p>SCREWS - 14PCS</p>
<p>J M6*25mm</p>  <p>CAM-BOLTS - 12PCS</p>	<p>K Ø15*9mm</p>  <p>CAM-LOCKS-12PCS</p>	<p>L</p>  <p>HINGES-4PCS</p>
<p>M</p>  <p>Ø7*15mm</p> <p>SCREW-24PCS</p>	<p>N</p>  <p>HANDLE - 5PCS</p>	<p>O</p>  <p>KNOB - 2PCS</p>
<p>P Ø8*15mm</p>  <p>BOLT - 12PCS</p>	<p>Q</p>  <p>CAM TOOL-1PC</p>	

NOTE: ● UPON OPENING, THOROUGHLY CLEAN ALL WOOD SURFACES TO REMOVE DUST AND DIRT THAT MAY HAVE SETTLED ONTO FINISH DURING SHIPMENT. IN ORDER TO PREVENT DAMAGE DURING ASSEMBLY, PLEASE ASSEMBLE THIS ITEM WITH AT LEAST TWO PEOPLE.

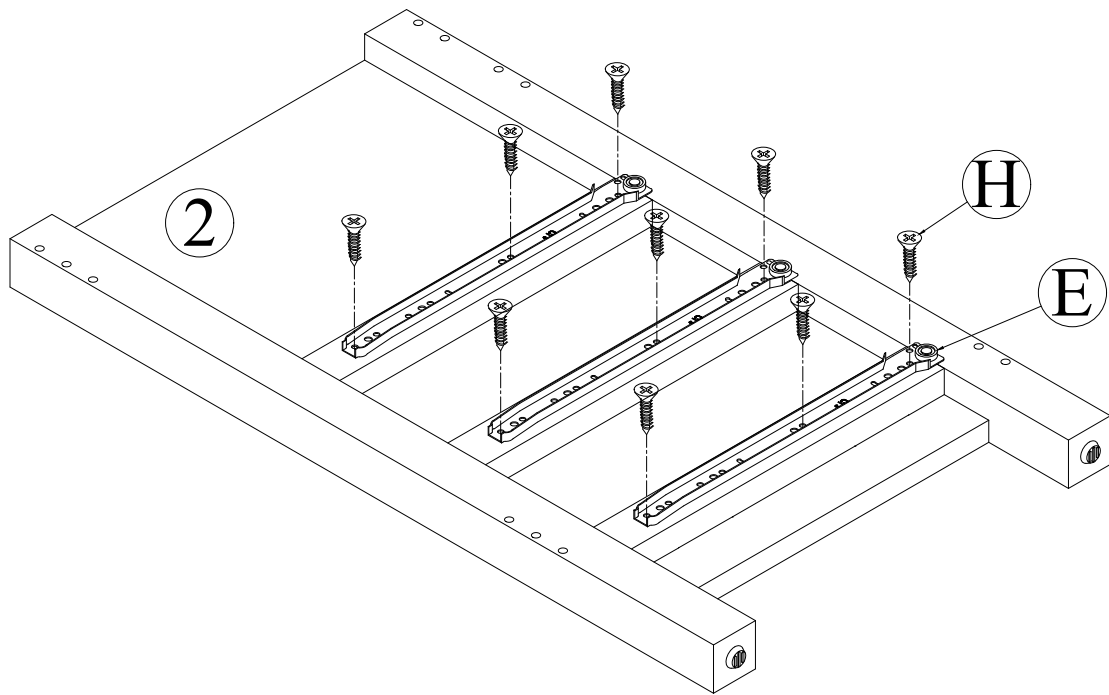


NOTE: TURN THE CAM-BOLT SCREWS UNTIL THEY ARE TIGHT, THE SHOULDER SHOULD BE AGAINST THE SURFACE OF THE PART.

HOW TO USE THE CAM-TOOL

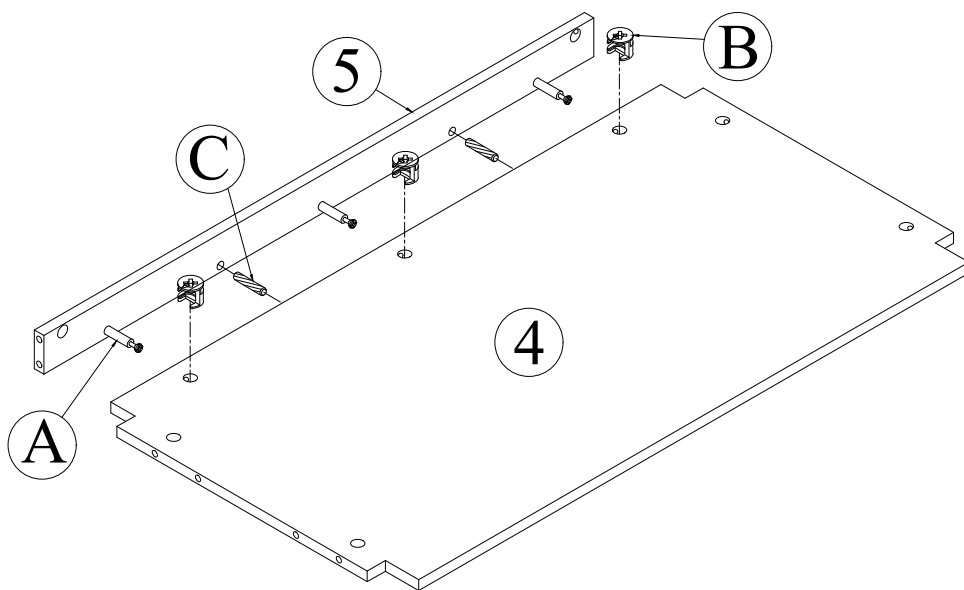


NOTE: ● THE ARROWS ON THE HIDDEN CAM-LOCKS SHOULD POINT TO THE CAM-BOLTS



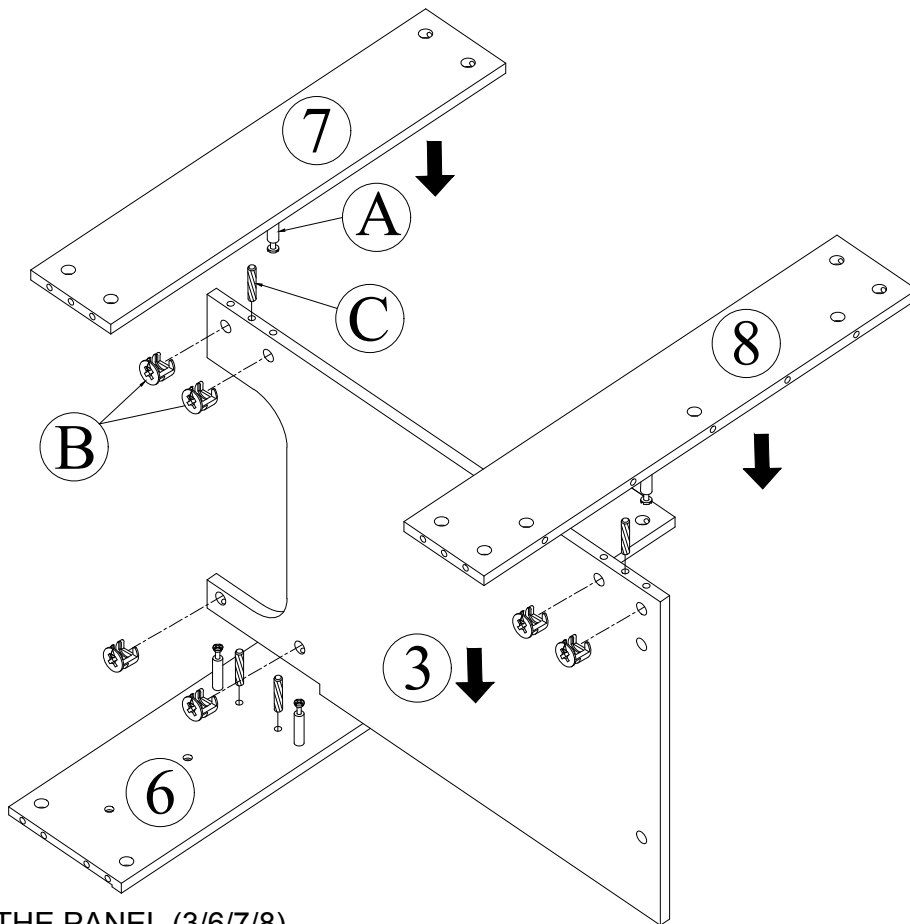
1).ASSEMBLE THE FEMALE SLIDING (E)

- PLACE THE FEMALE SLIDING (E) INTO THE HOLES IN THE PANEL (2) AND ATTACH USING 9 SCREW (H).



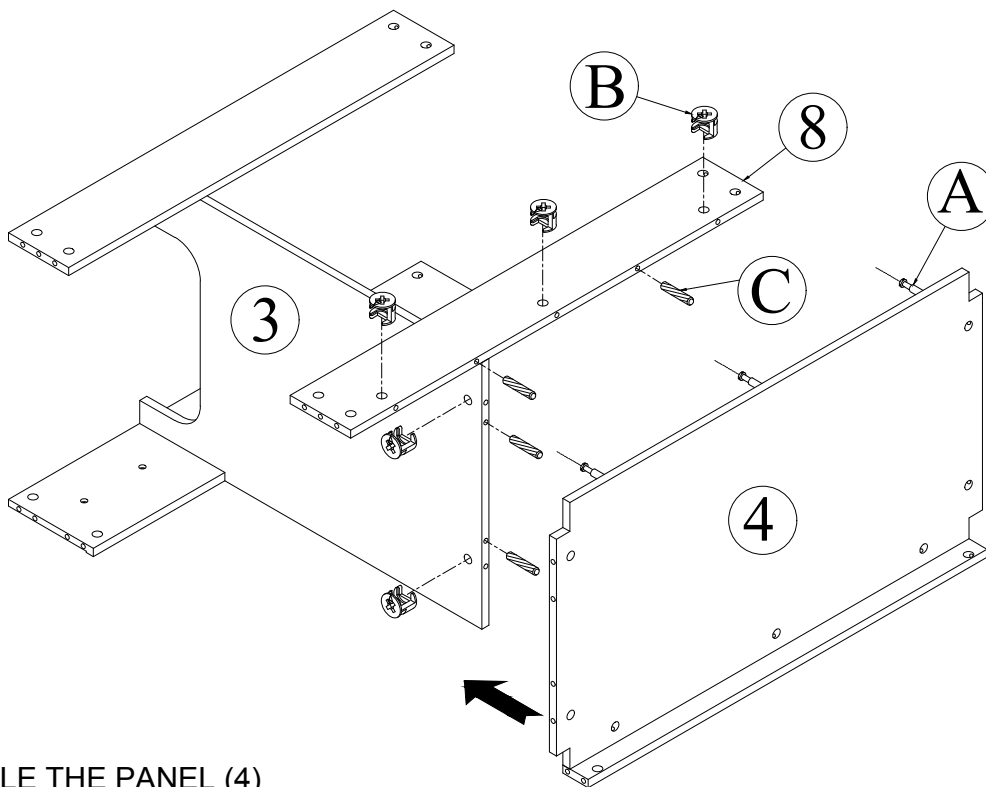
2).ASSEMBLE THE PANEL (4/5)

- ROTATE 3 CAM-BOLTS (A) INTO THE HOLES IN THE PANEL (5).
- PLACE THE PANEL (5) AND 2 DOWELS (C) INTO THE HOLES IN THE PANEL (4) AND ATTACH USING 3 CAM-LOCK (B).



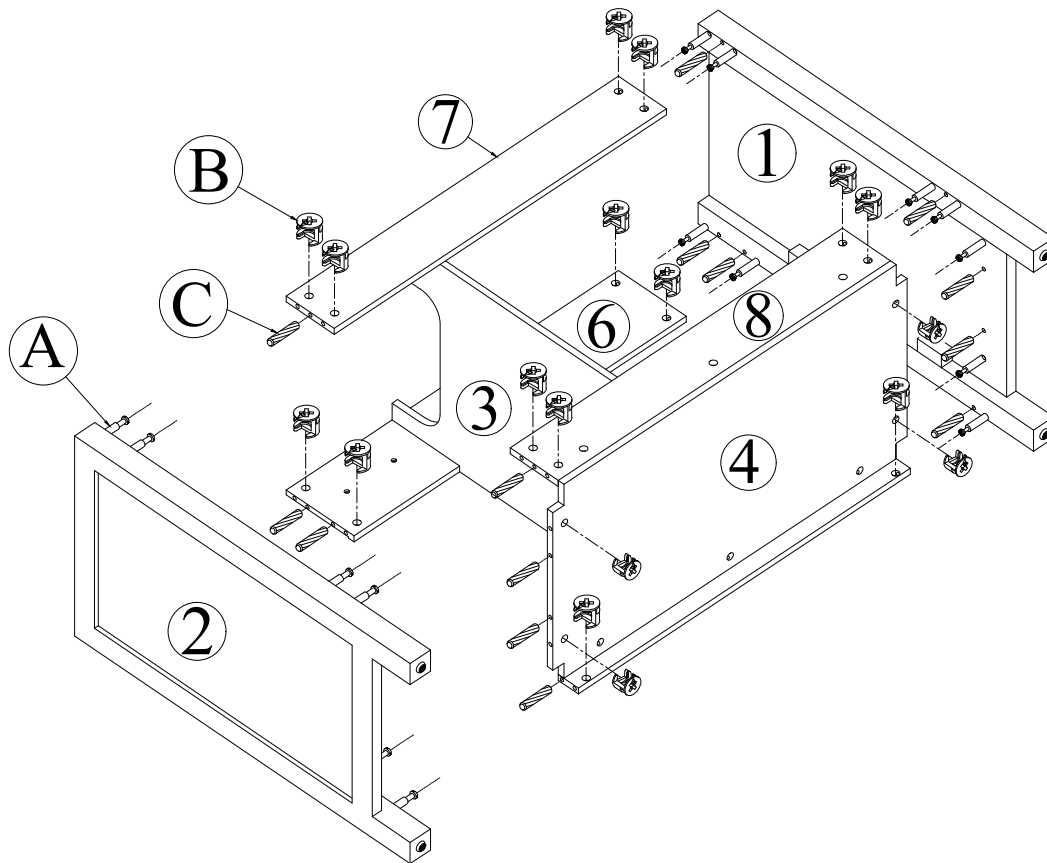
3).ASSEMBLE THE PANEL (3/6/7/8)

- ROTATE 6 CAM-BOLTS (A) INTO THE HOLES IN THE PANEL (6/7/8).
- PLACE THE PANEL (6/7/8) AND 4 DOWELS (C) INTO THE HOLES IN THE PANEL (3) AND ATTACH USING 6 CAM-LOCK (B).



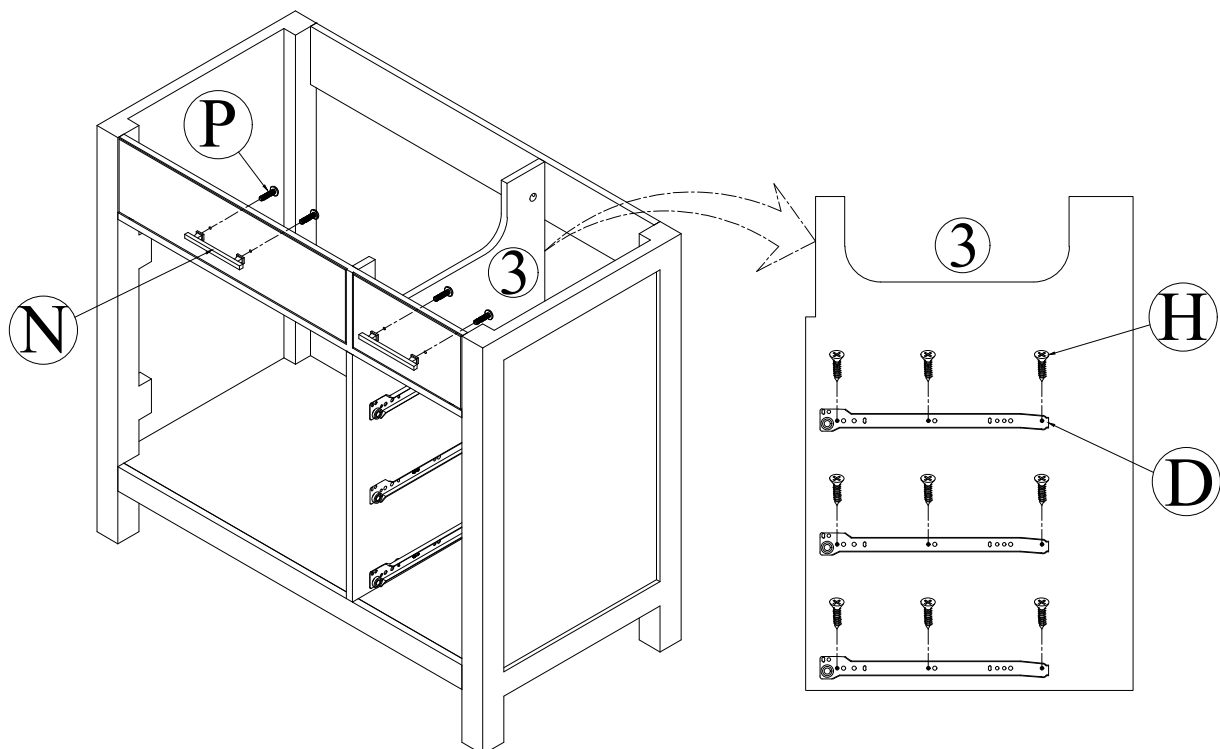
4).ASSEMBLE THE PANEL (4)

- ROTATE 5 CAM-BOLTS (A) INTO THE HOLES IN THE PANEL (4).
- PLACE THE PANEL (4) AND 4 DOWELS (C) INTO THE HOLES IN THE PANEL (3/8) AND ATTACH USING 5 CAM-LOCK (B).



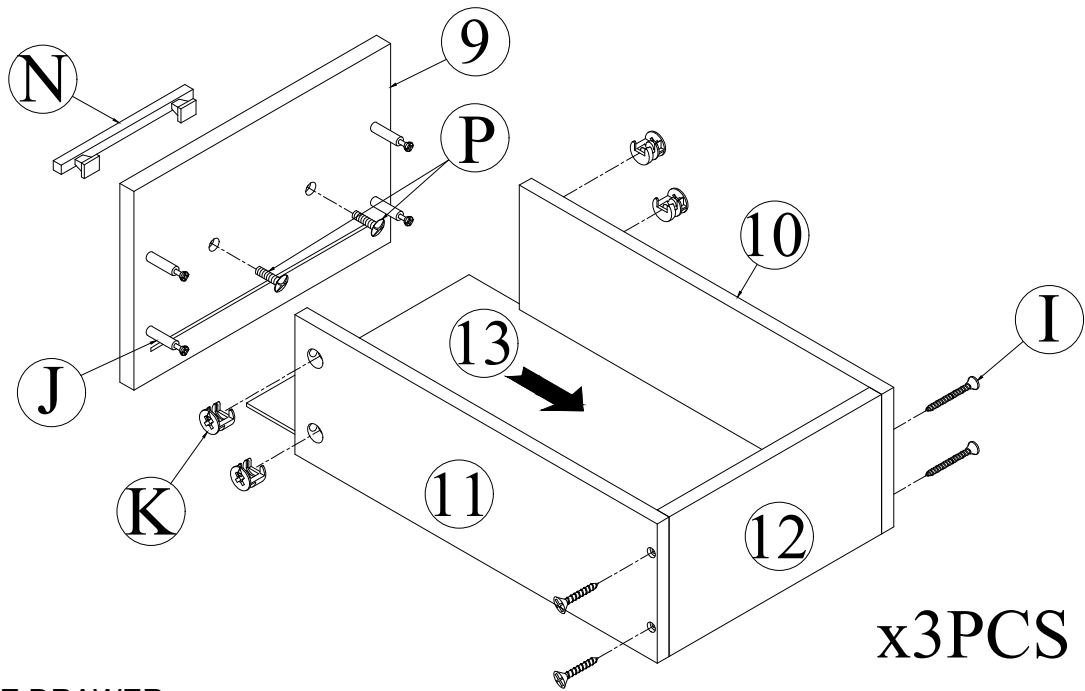
5).ASSEMBLE MAIN BODY

- ROTATE 18 CAM-BOLTS (A) INTO THE HOLES IN THE PANEL (1/2).
- PLACE THE PANEL (4/5/6/7/8) AND 14 DOWELS (C) INTO THE HOLES IN THE PANEL (1/2) AND ATTACH USING 18 CAM-LOCK (B).



6).ASSEMBLE THE FEMALE SLIDING (D)

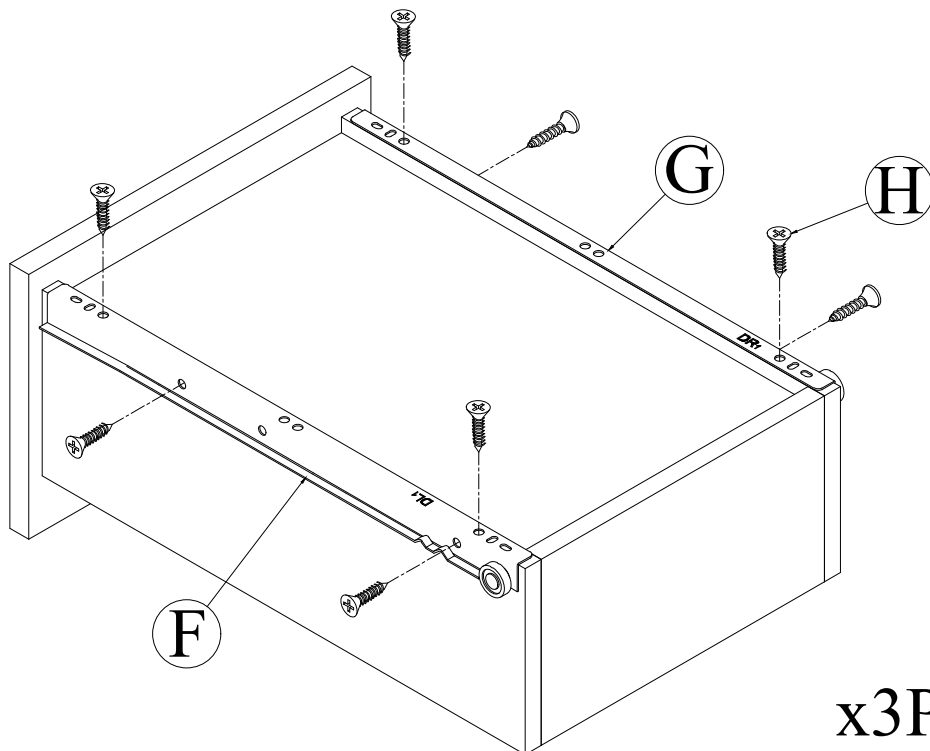
- PLACE THE FEMALE SLIDING (D) INTO THE HOLES IN THE PANEL (3) AND ATTACH USING 9 SCREW (H)
- PLACE 2 THE HANDLE (N) INTO THE HOLES IN THE PANEL (6) AND ATTACH USING 4 BOLTS (P)



x3PCS

7).ASSEMBLE DRAWER

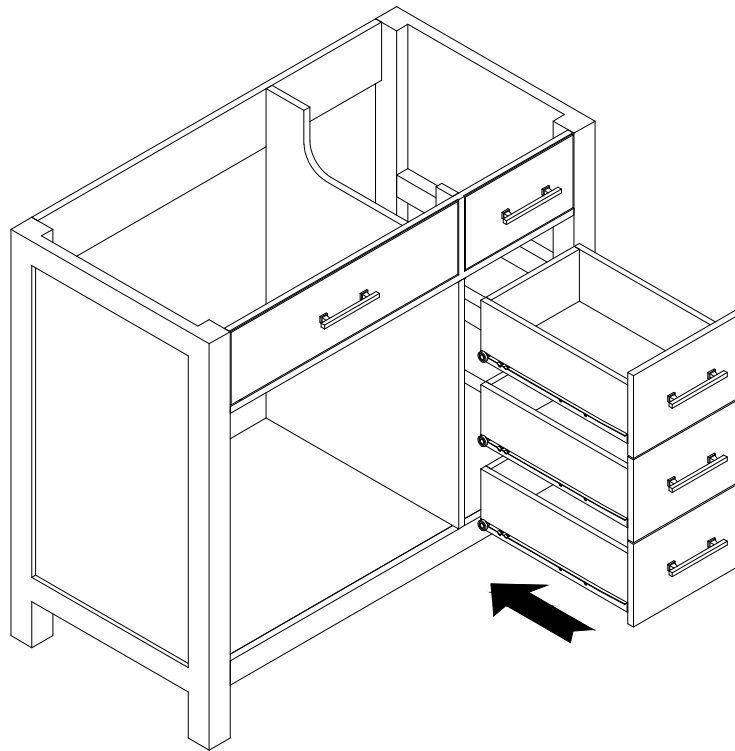
- PLACE THE PANEL (10/11) INTO THE HOLES IN THE PANEL (12) AND ATTACH USING 4 SCREWS (I)
- SLIDE THE DRAWER BOTTOM PANEL (13) INTO THE TRENCH IN THE PANEL (10/11)
- ROTATE 4 CAM-BOLTS (J) INTO THE HOLES IN THE PANEL (9).
- PLACE THE PANEL (9) INTO THE HOLES IN THE PANEL (10/11) AND ATTACH USING 4 CAM-LOCK (K)
- PLACE THE HANDLE (N) INTO THE HOLES IN THE PANEL (9) AND ATTACH USING 2 BOLTS (P)



x3PCS

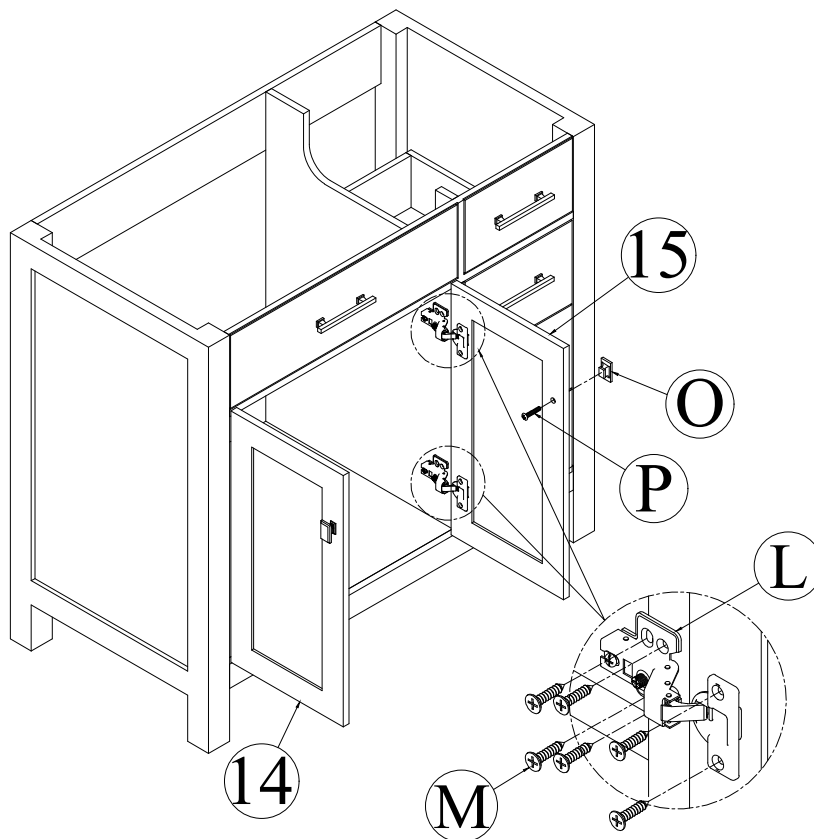
8).ASSEMBLE THE MALE SLIDING (F/G)

- PLACE THE MALE SLIDING (F/G) INTO THE HOLES IN THE PANEL (11/12) AND ATTACH USING 8 SCREWS (H)



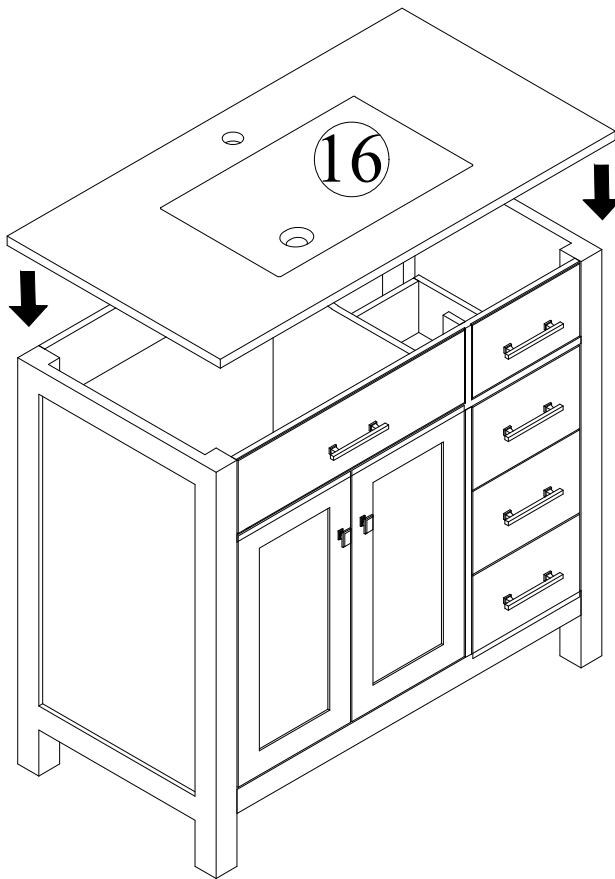
9).ASSEMBLE DRAWER INTO MAIN BODY

- SLIDE THE DRAWERS INTO THE SLIDERS-OUTS.



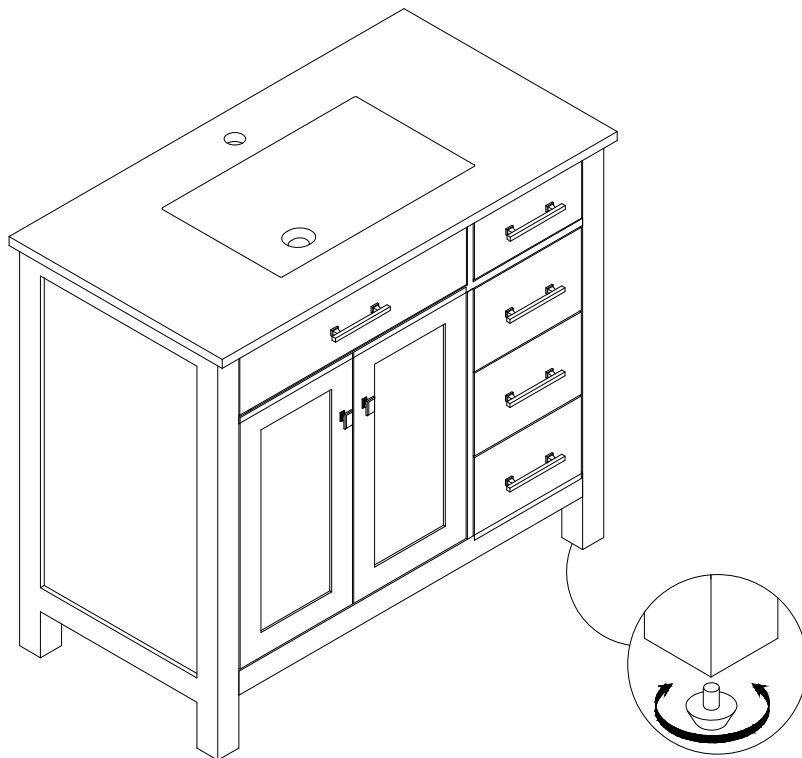
10).ASSEMBLE DOOR(14/15)

- PLACE 4 HINGES (L) INTO THE PANEL (14/15) AND ATTACH USING 24 SCREWS (M)
- PLACE THE KNOB (O) INTO THE HOLES IN THE PANEL (14/15) AND ATTACH USING 2 BOLTS (P)



11).ASSEMBLE SINK

- PLACE THE SINK (16) INTO THE MAIN BODY



12).TWIST THE ADJUSTTBLE FEET TO ENSURE THAT MAIN BODY IS LEVEL AN STEADY