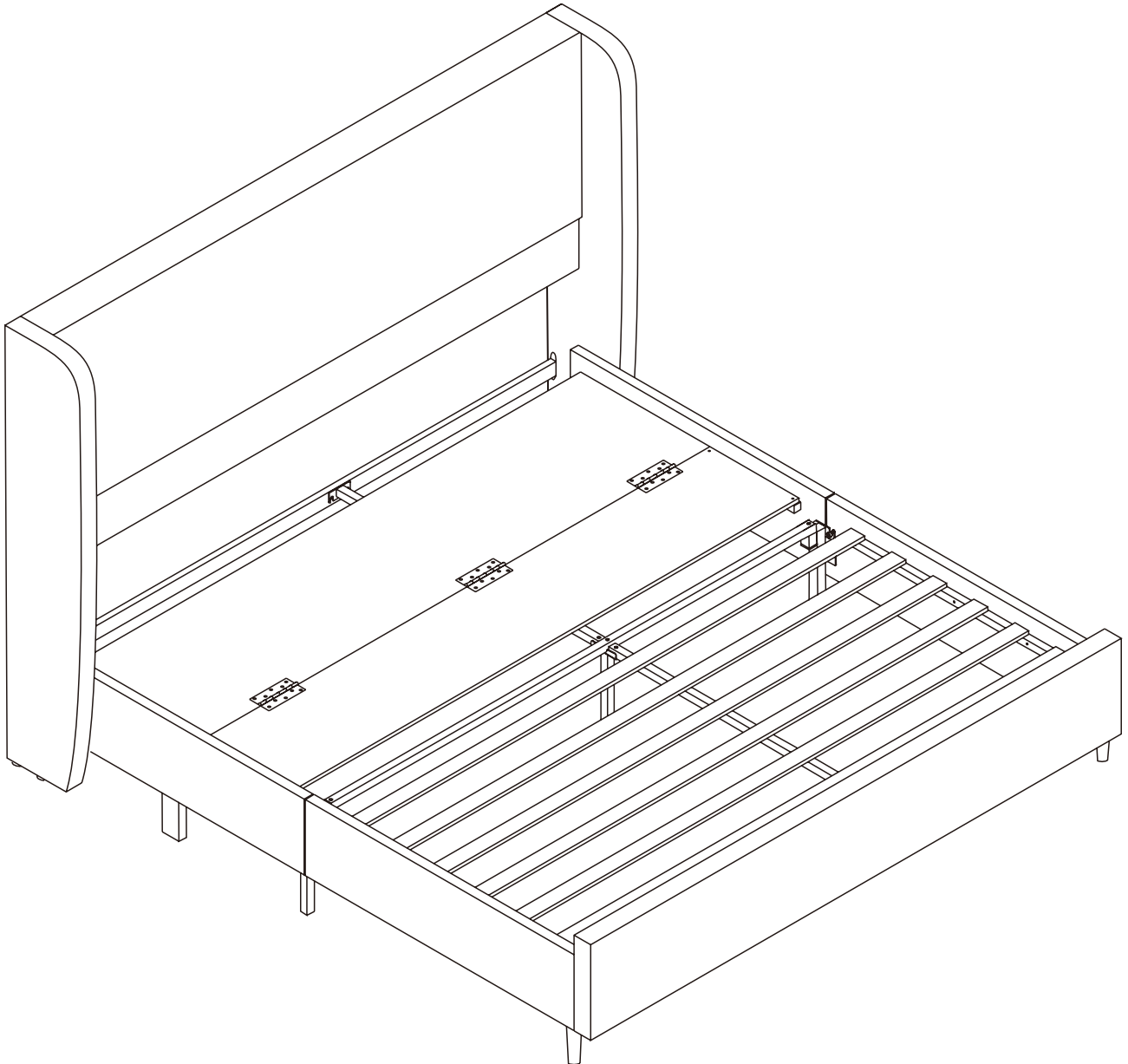


Assembly Instruction

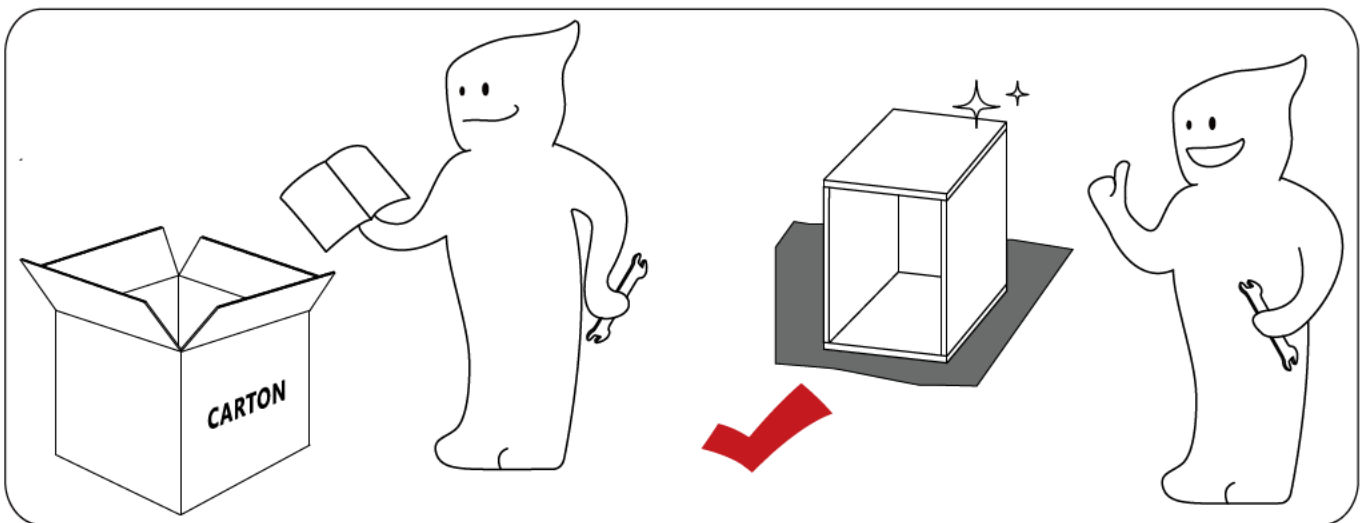
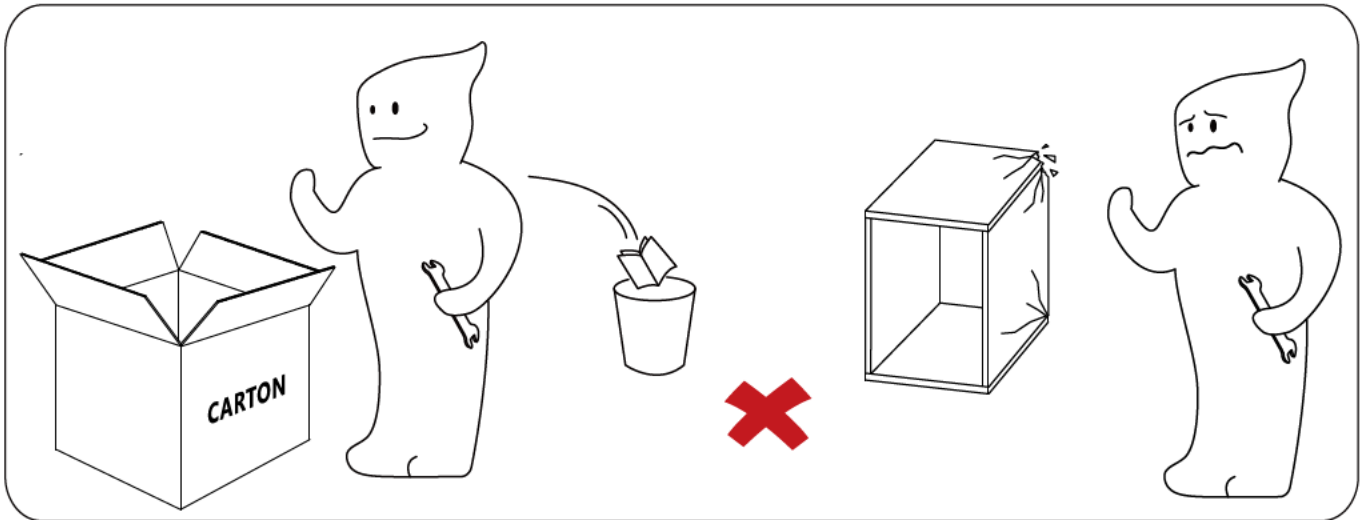


Please check that you have all the parts listed before you start assembling,if you do find that something is missing,do not continue assembly,please contact us immediately.

NOTE:Please do not completely tighten all the hardware until the entire assembly is complete!

! IMPORTANT

Please follow the instruction manuals and use a pad to protect the product during your assembly.

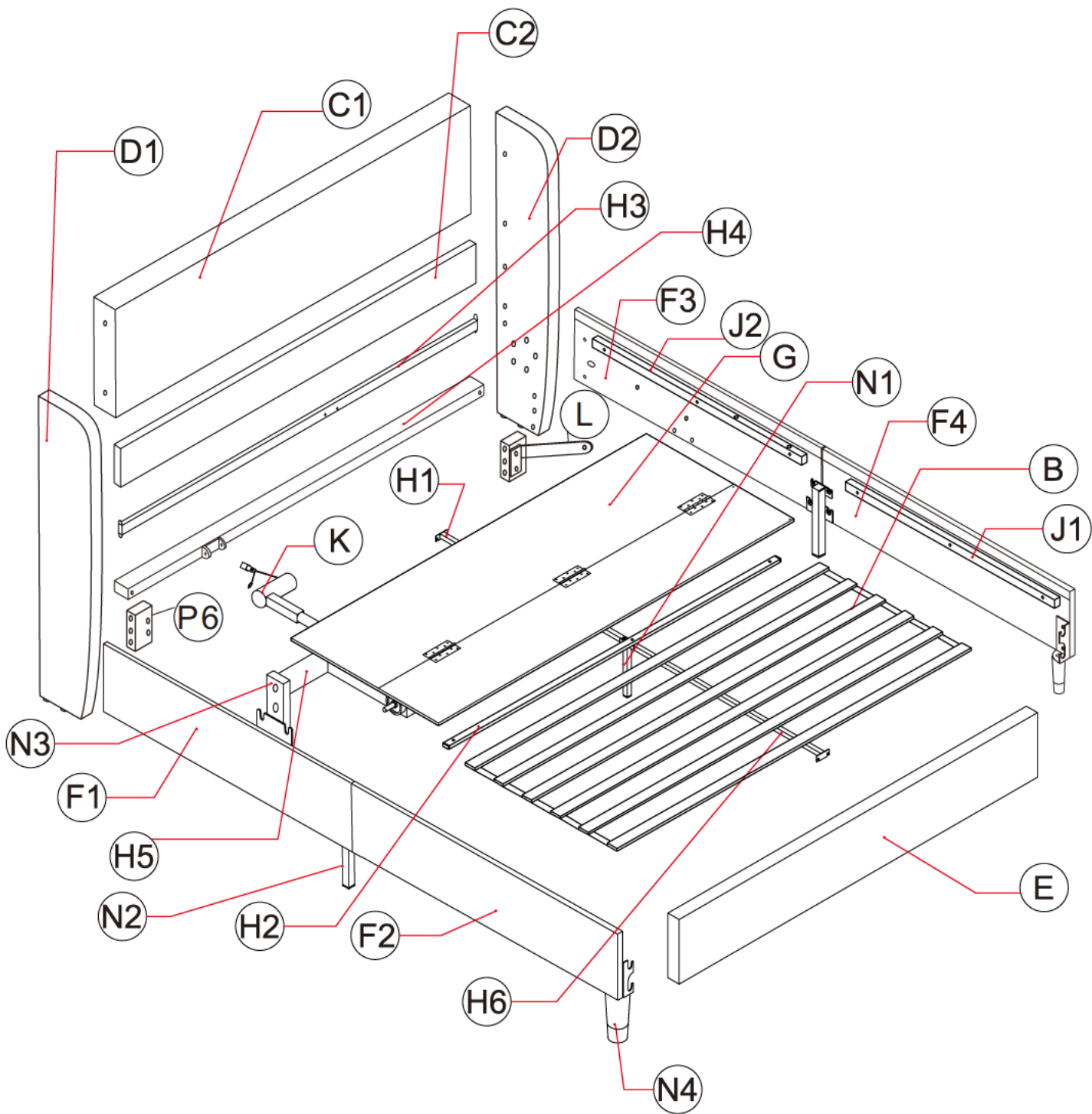


Note:

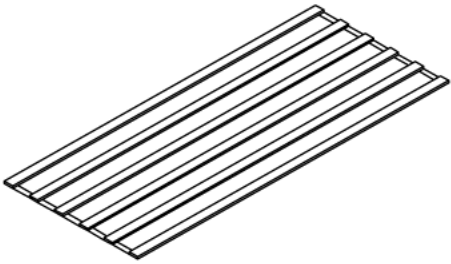
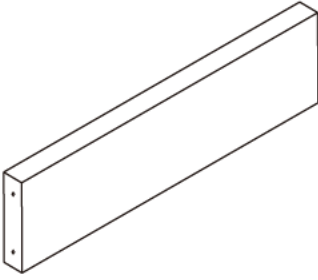
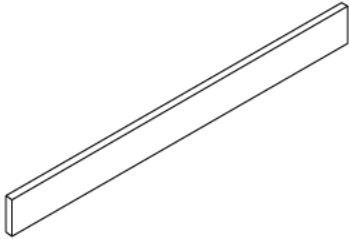


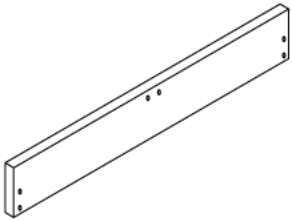
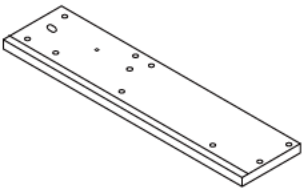
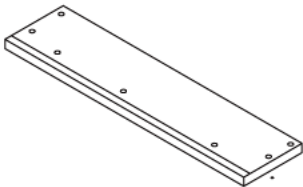
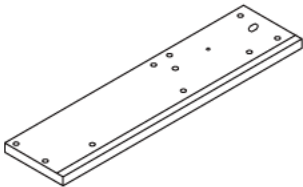
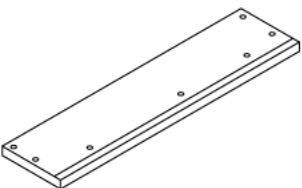
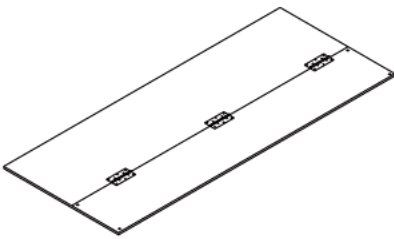
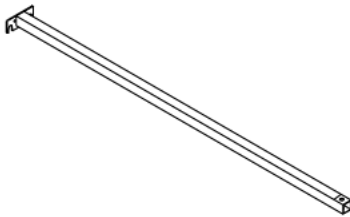
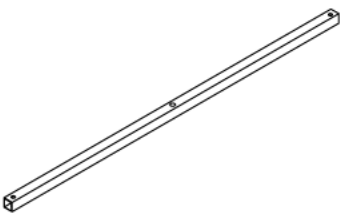
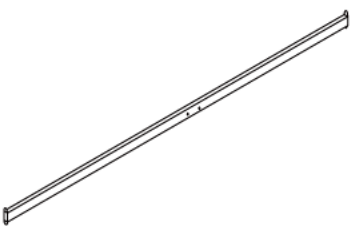
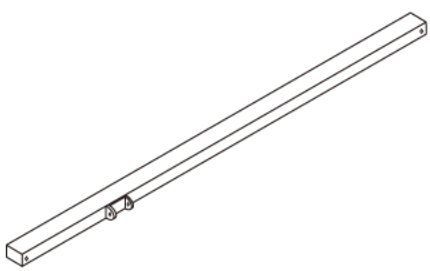
1. Should be assembled on flat ground to keep balance.
2. Before completing the installation, do not tighten the screws.



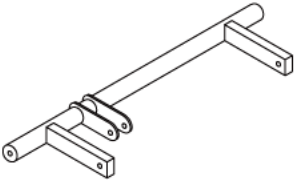
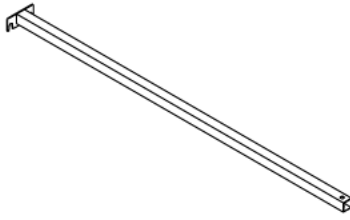
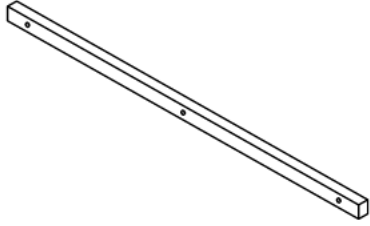
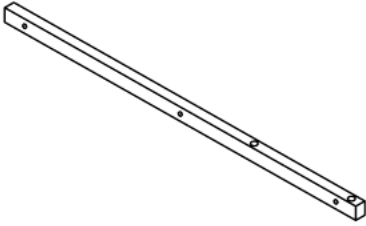
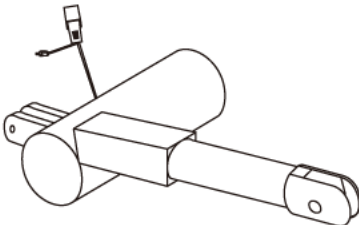
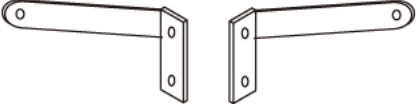

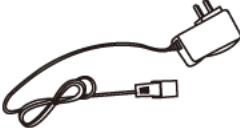
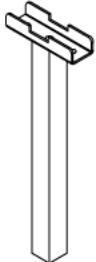
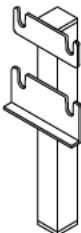
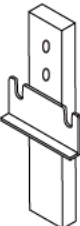

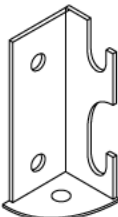
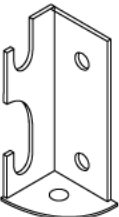
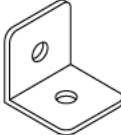
For easier and better assembly, **2** or more adults are required.



BED FRAME PARTS LIST

B  1PCS Slat	C1  1PC Top headboard	C2  1PC Top headboard
D1  1PC Left Leg	D2  1PC Right Leg	E  1PC Footboard
F1  1PC Side rail	F2  1PC Side rail	F3  1PC Side rail
F4  1PC Side rail	G  1PC Front support panel	H1  1PC Middle front support bar
H2  1PC Cross bar	H3  1PC Upper Headboard bar	H4  1PC Lower Headboard bar

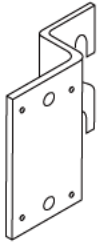
BED FRAME PARTS LIST

<p>H5 1PC</p>  <p style="text-align: center;">Drive rod</p>	<p>H6 1PC</p>  <p style="text-align: center;">Middle behind support bar</p>	<p>J1 2PCS</p>  <p style="text-align: center;">Side bar</p>
<p>J2 2PCS</p>  <p style="text-align: center;">Side bar</p>	<p>K 1PC</p>  <p style="text-align: center;">Gas-lifter</p>	<p>L 2PCS</p>  <p style="text-align: center;">Left Right</p>
<p>M1 1PC</p>  <p style="text-align: center;">Controllers</p>	<p>M2 1PC</p>  <p style="text-align: center;">Power cable</p>	<p>N1 1PC</p>  <p style="text-align: center;">Middle support leg</p>
<p>N2 2PCS</p>  <p style="text-align: center;">Bed side support leg</p>	<p>N3 2PCS</p>  <p style="text-align: center;">Bed side support leg</p>	<p>N4 2PCS</p>  <p style="text-align: center;">Foot</p>
<p>P1 1PC</p>  <p style="text-align: center;">Connector-P1</p>	<p>P2 1PC</p>  <p style="text-align: center;">Connector-P2</p>	<p>P3 5PCS</p>  <p style="text-align: center;">Connector-P3</p>

BED FRAME PARTS LIST

P4

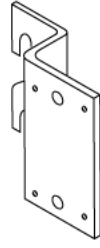
1PC



Connector-P4

P5

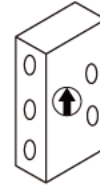
1PC



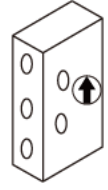
Connector-P5

P6

2PCS


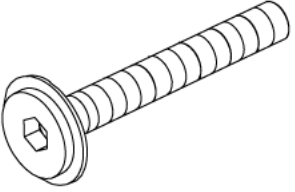
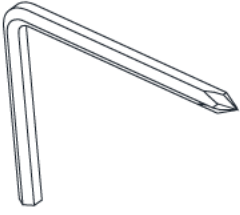


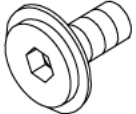
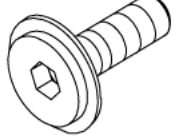
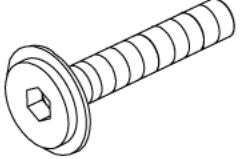
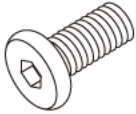
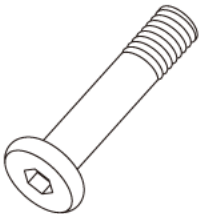
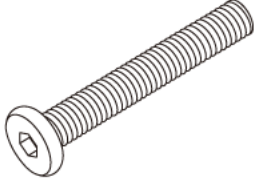



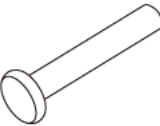




Left



Right

FITTING PART LIST

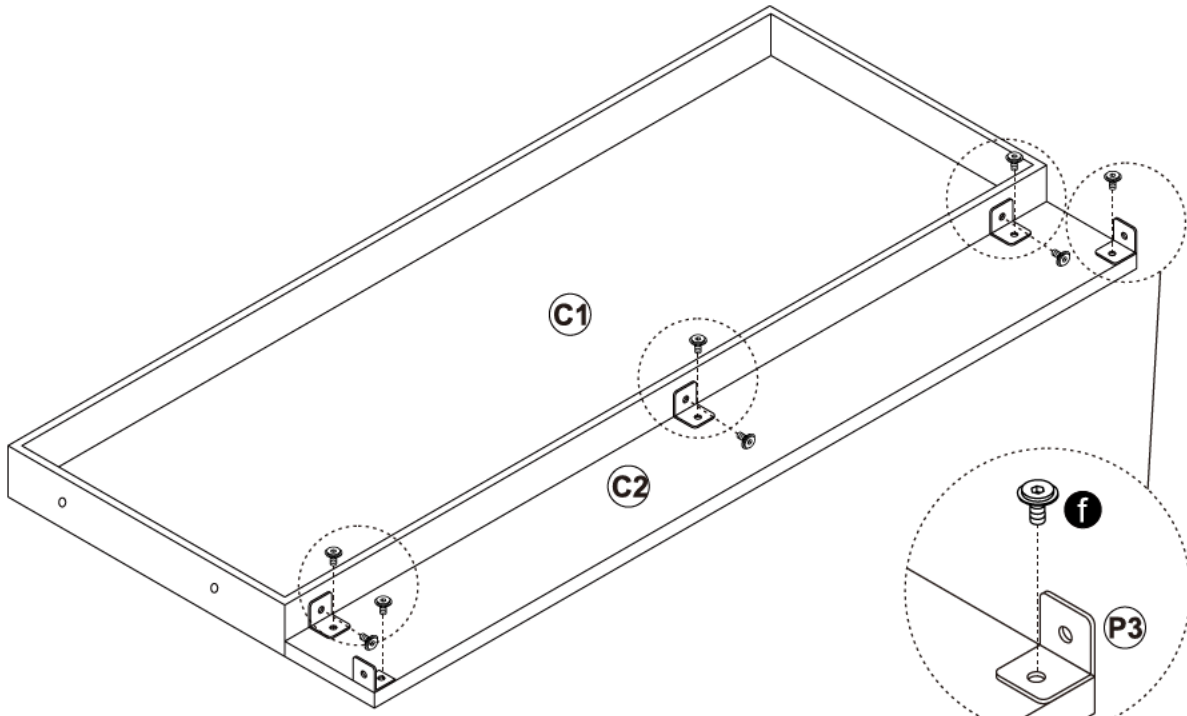
a	2PCS	b	6PCS	c	1PC	d	8PCS
			M8*65		M6		M4*45
e	4PCS	f	40PCS	g	19PCS	h	12PCS
	M8*40		M8*18		M8*35		M8*50
i	4PCS	j	2PCS	k	2PCS	m	4PCS
	M8*18		M10*37		M8*80		
n	1PC	o	8PCS	r	4PCS	s	4PCS
	M8						
v	2PCS						
							

step1

f

M8*18

8PCS



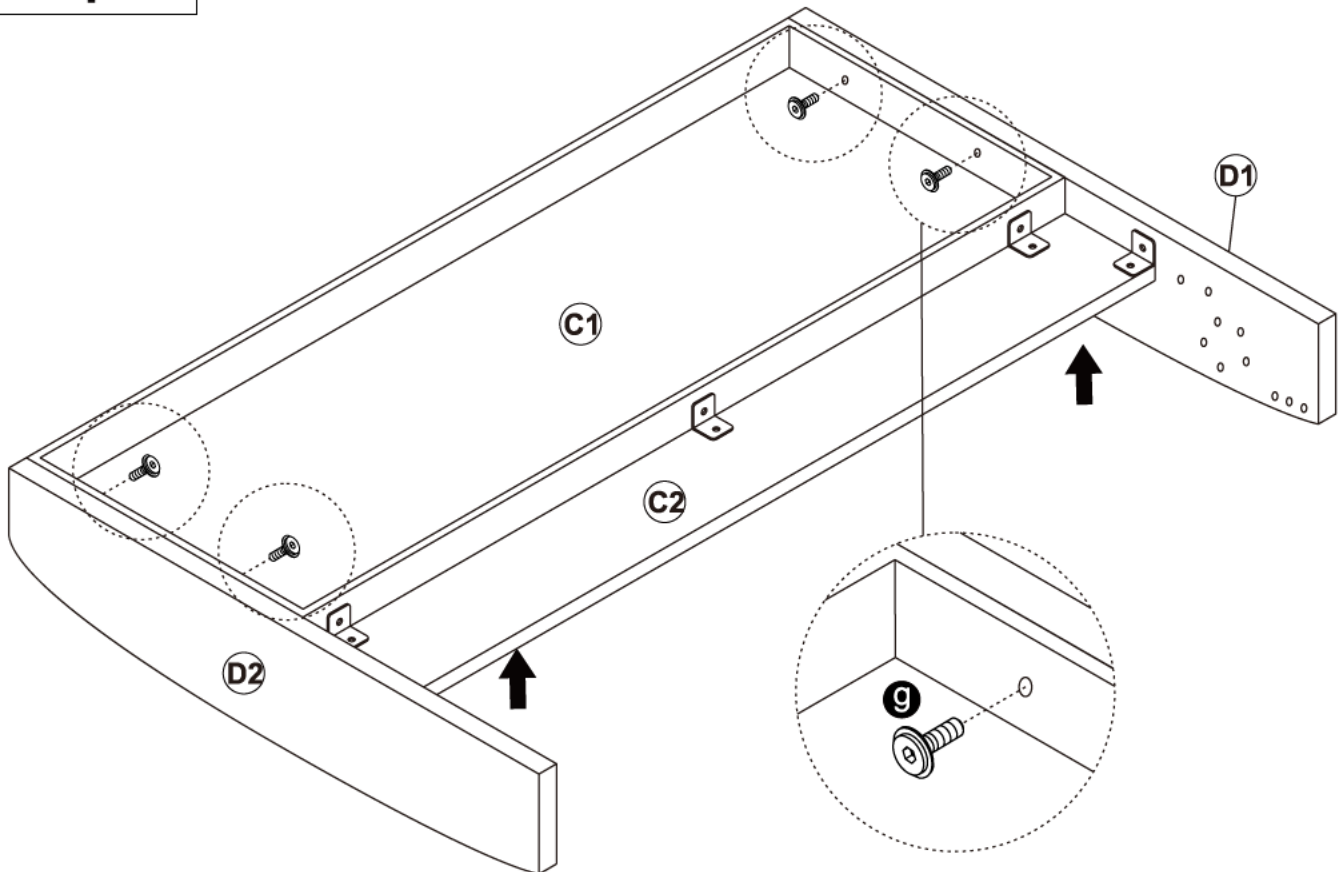
80% pre-screwed

step2

g

M8*35

4PCS

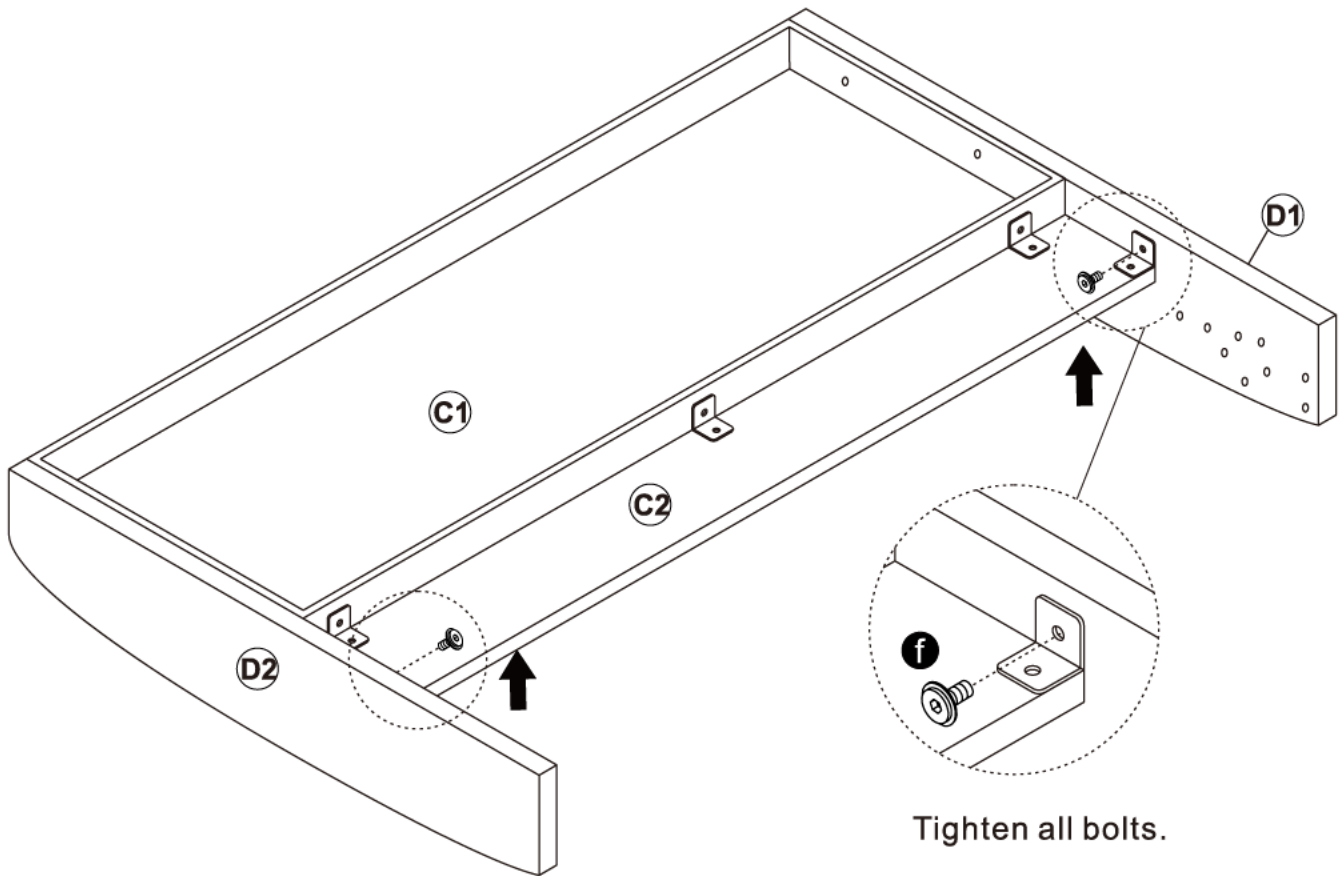


step3

f

M8*18

2PCS



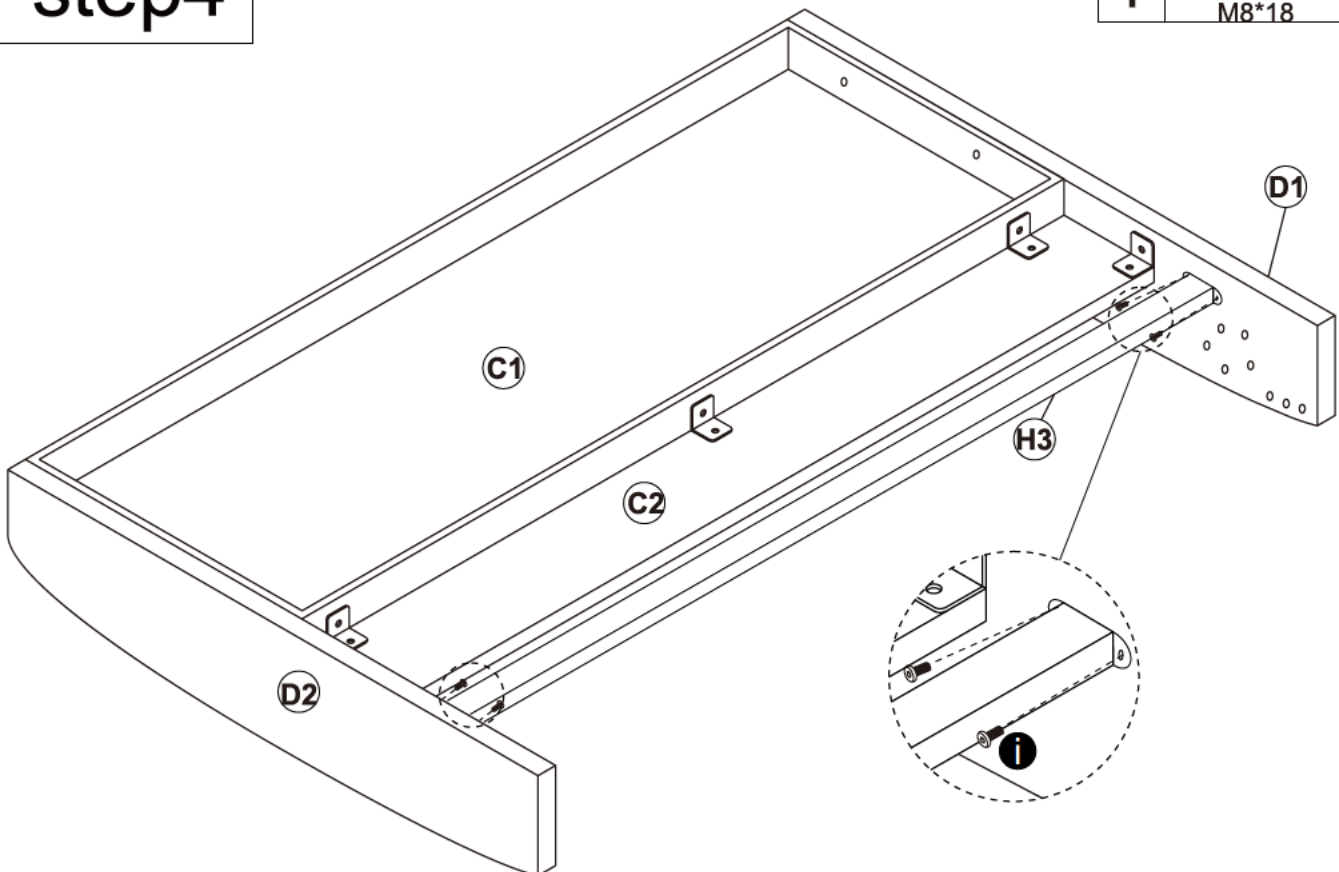
Tighten all bolts.

step4

i

M8*18

4PCS

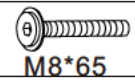


Hole H3 is facing downwards.

step5

Tighten the bolts that were pre-screwed to 80% in Step 19.

b

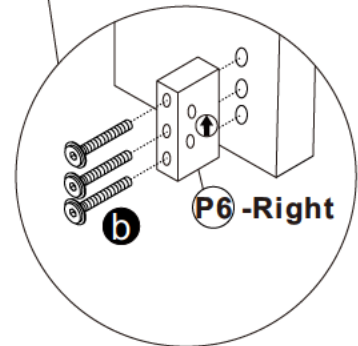
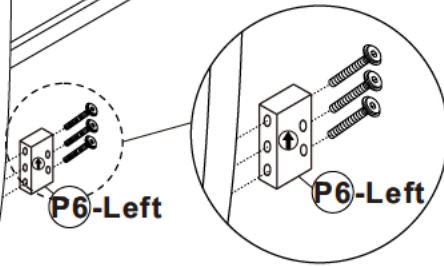


6PCS

D1

D2

P6 -Right



80% pre-screwed.

step6

Tighten the bolts that were pre-screwed to 80% in Step 19.

g



2PCS

k

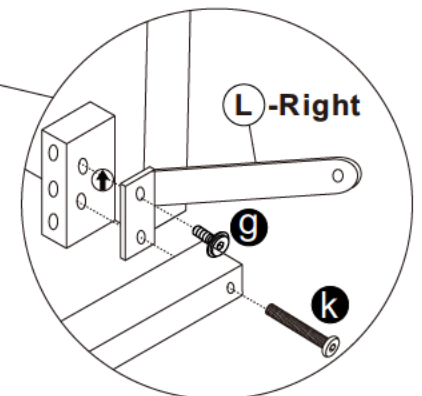
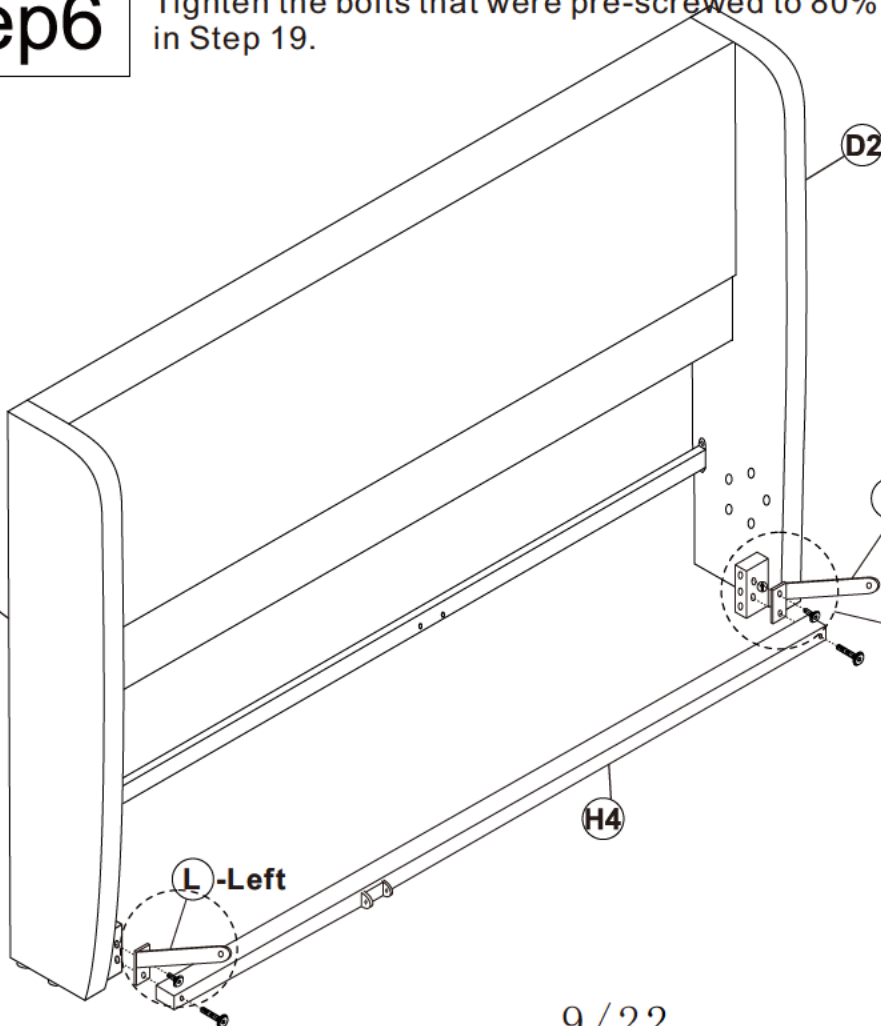


2PCS

D1

D2

L -Right



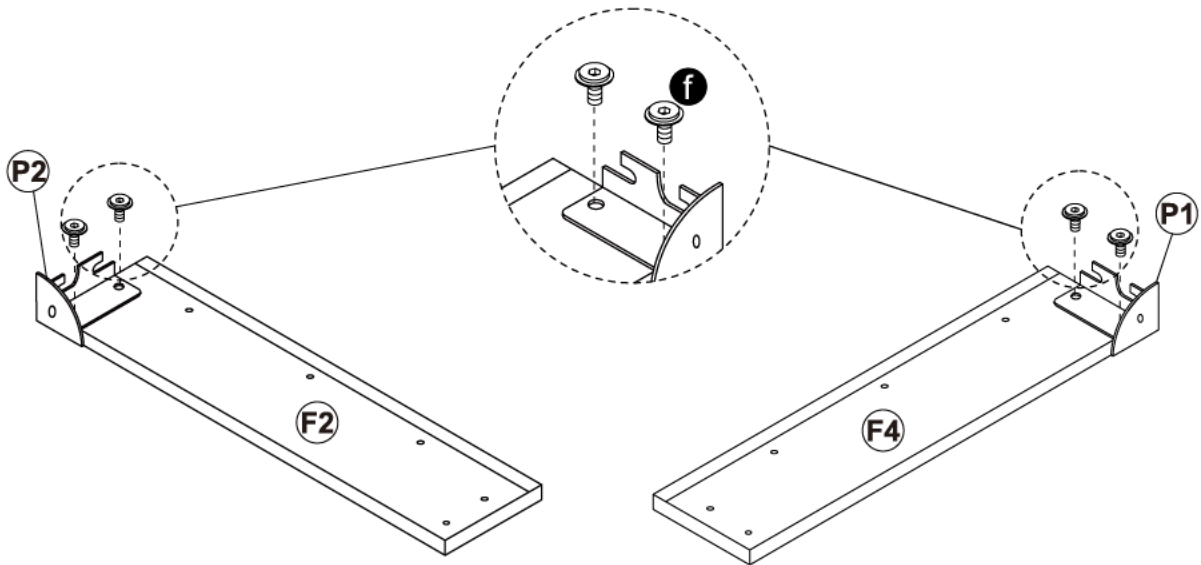
80% pre-screwed.

step7

f

M8*18

4PCS

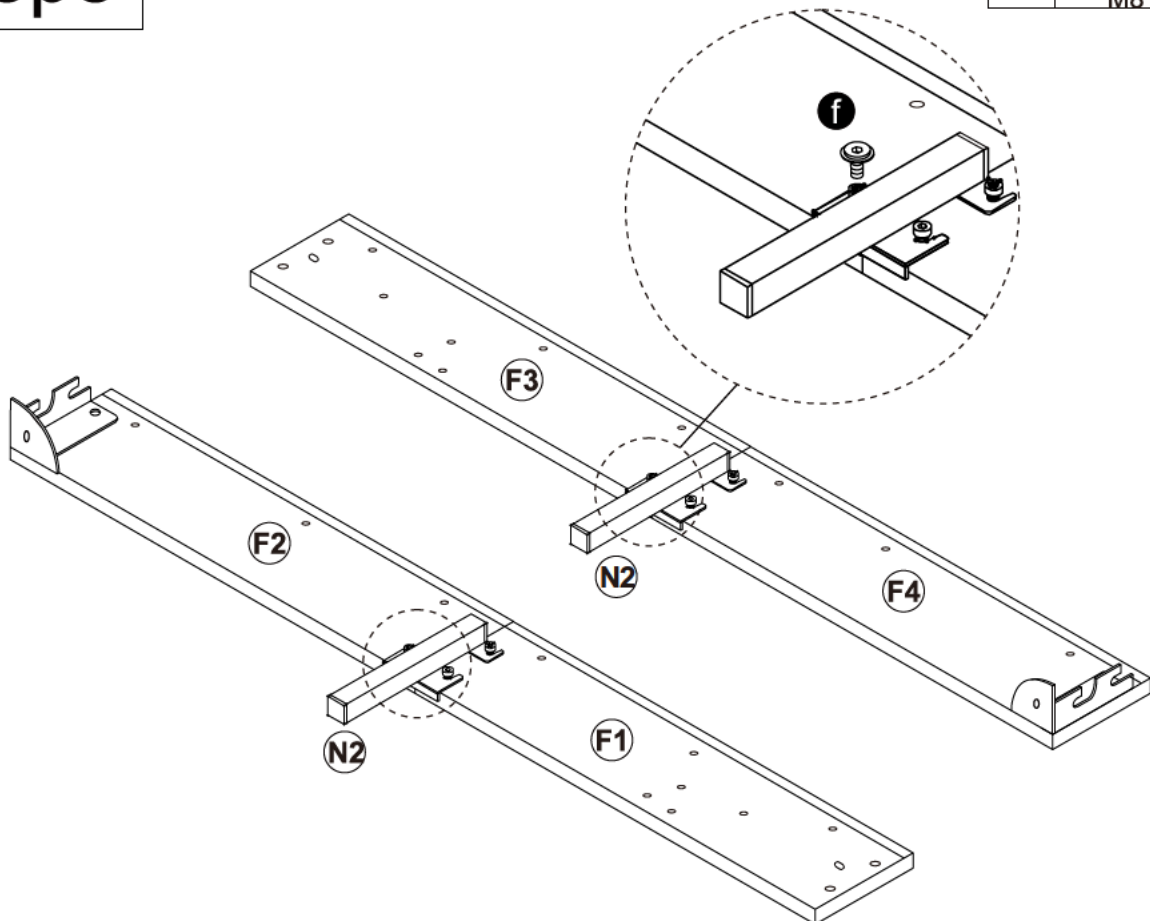


step8

f

M8*18

8PCS

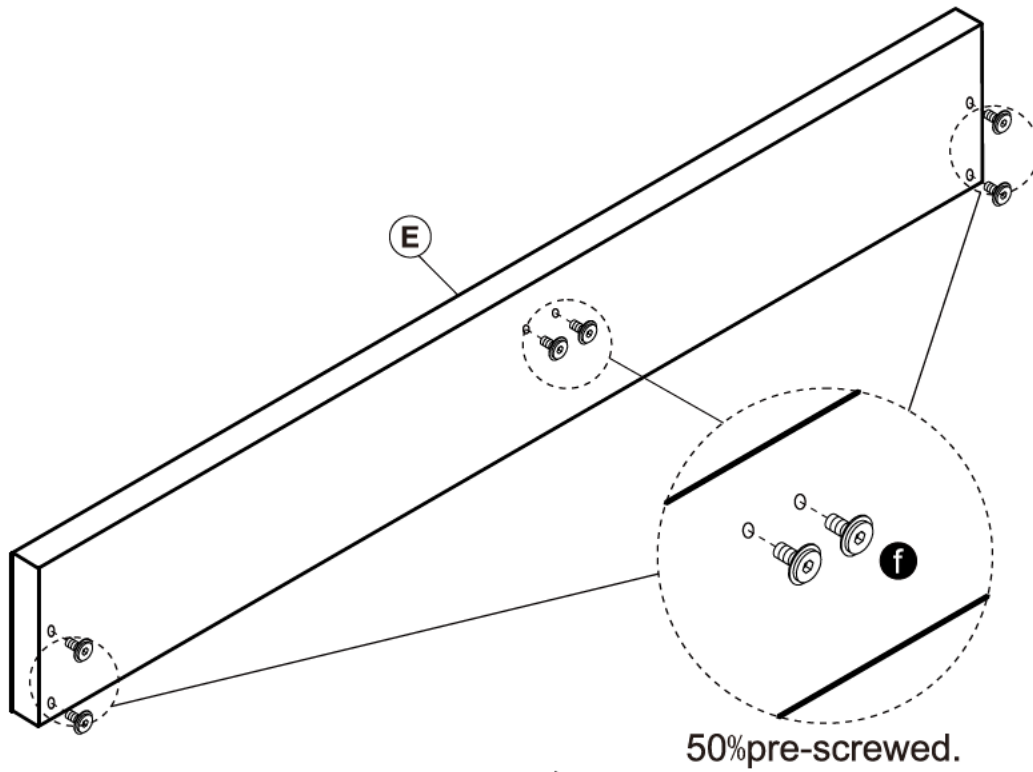


step9

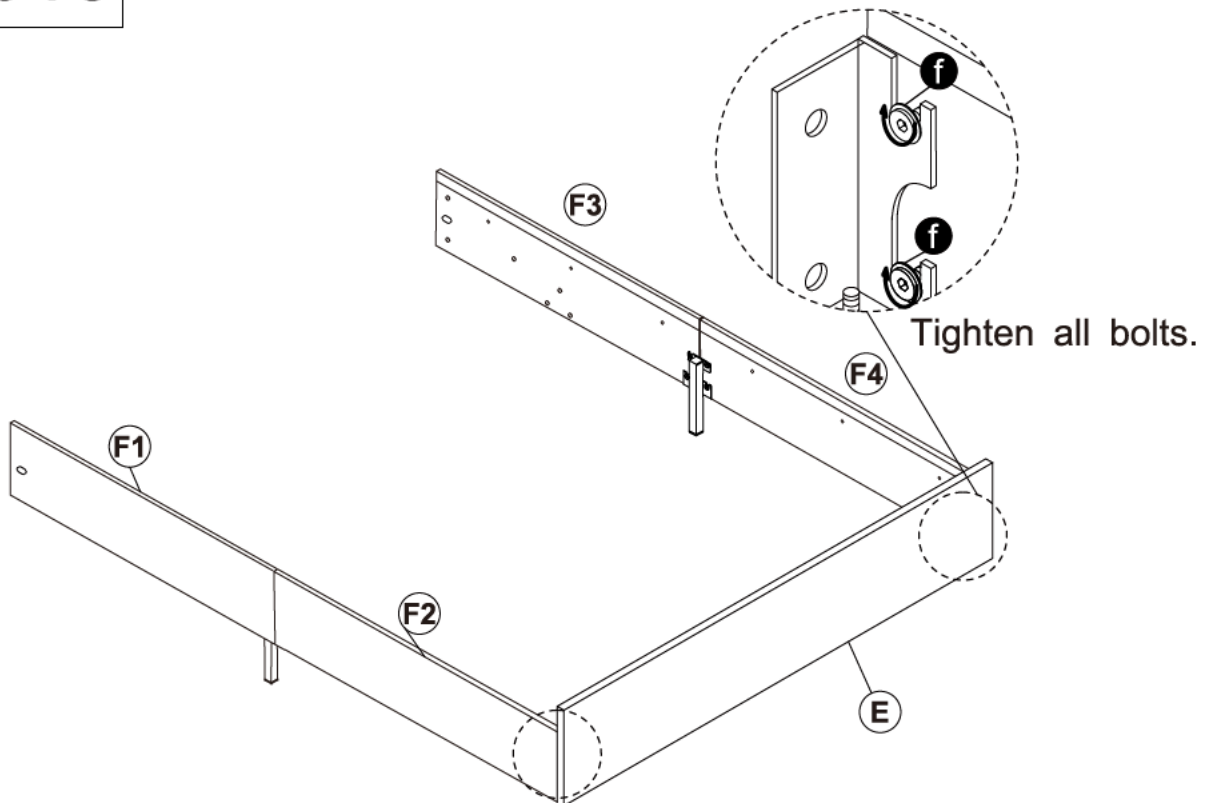
f

M8*18

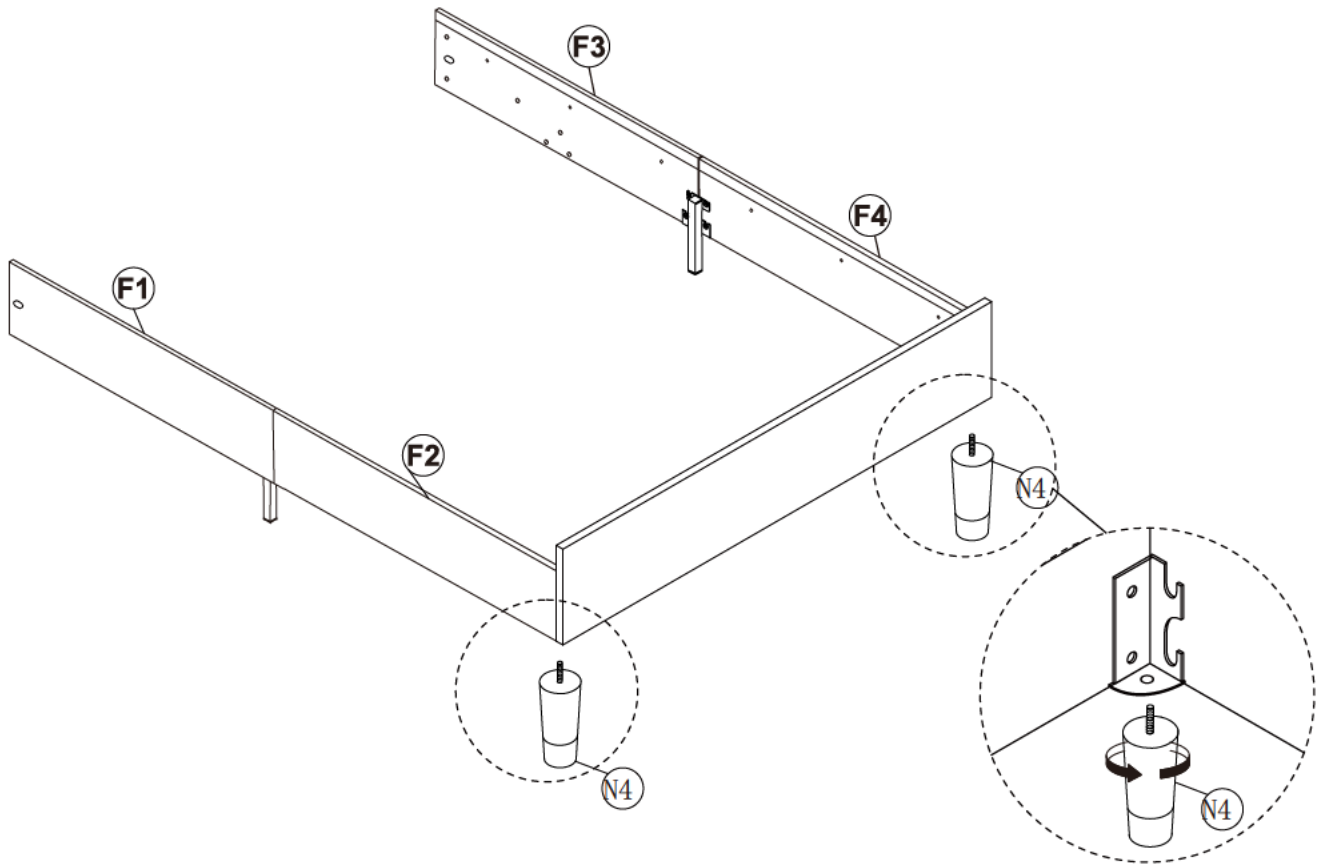
6PCS



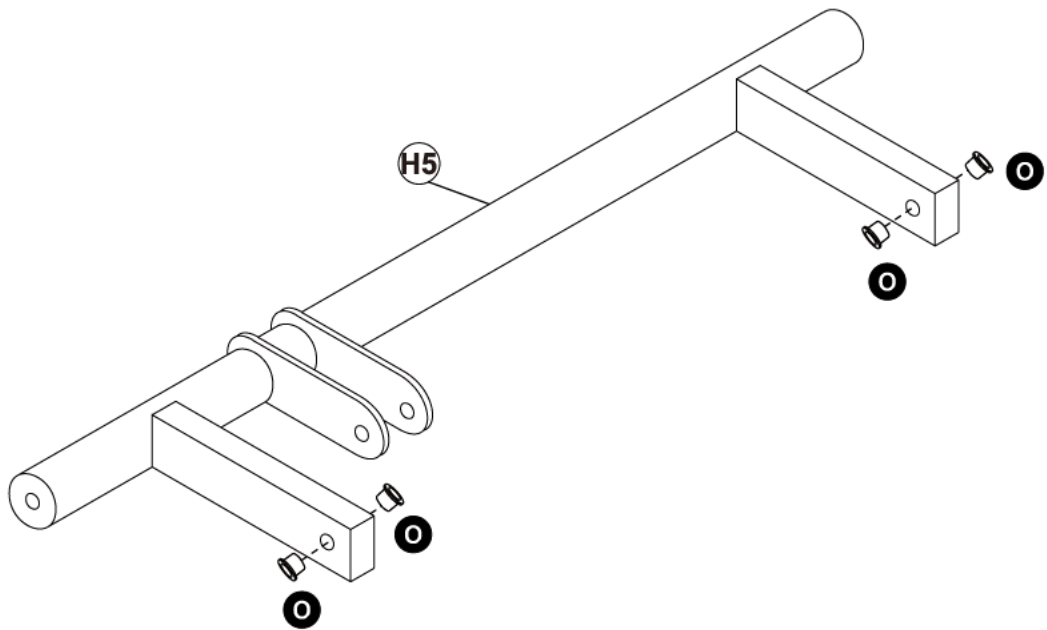
step10



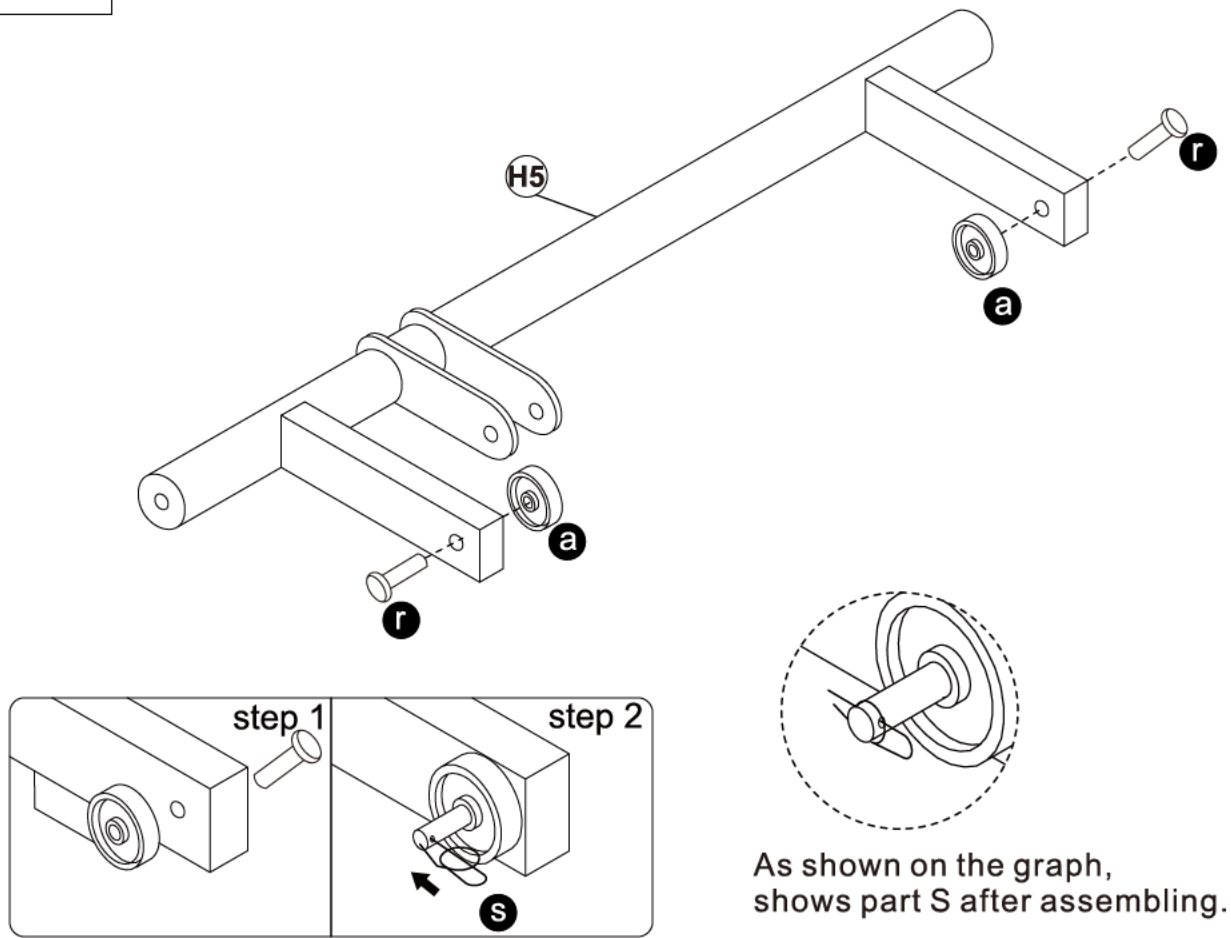
step11



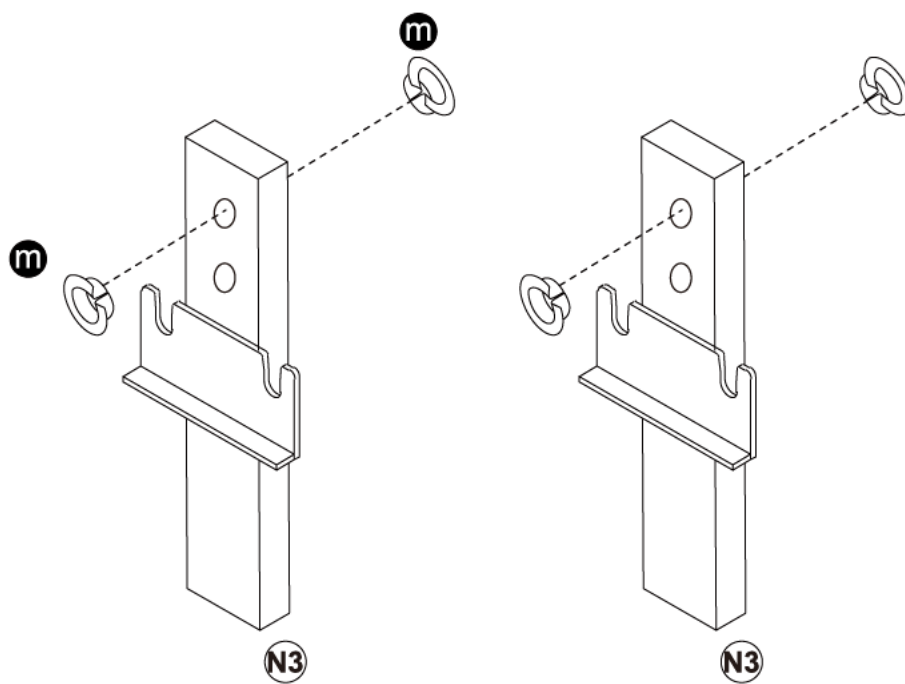
step12



step13



step14

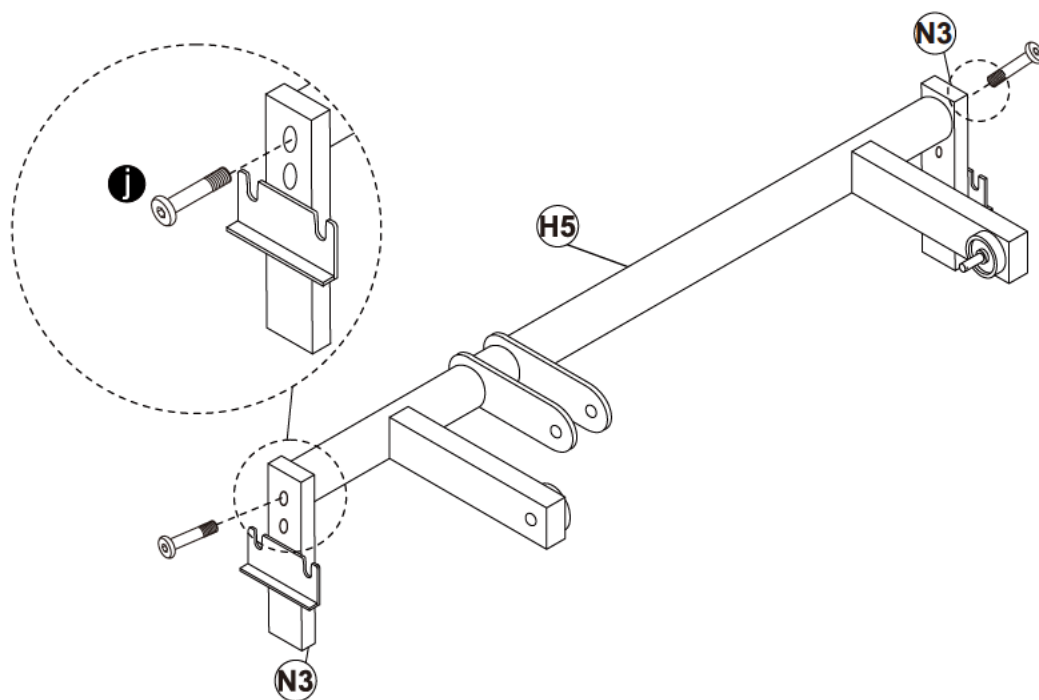


step15

j

M10*37

2PCS



step16

i

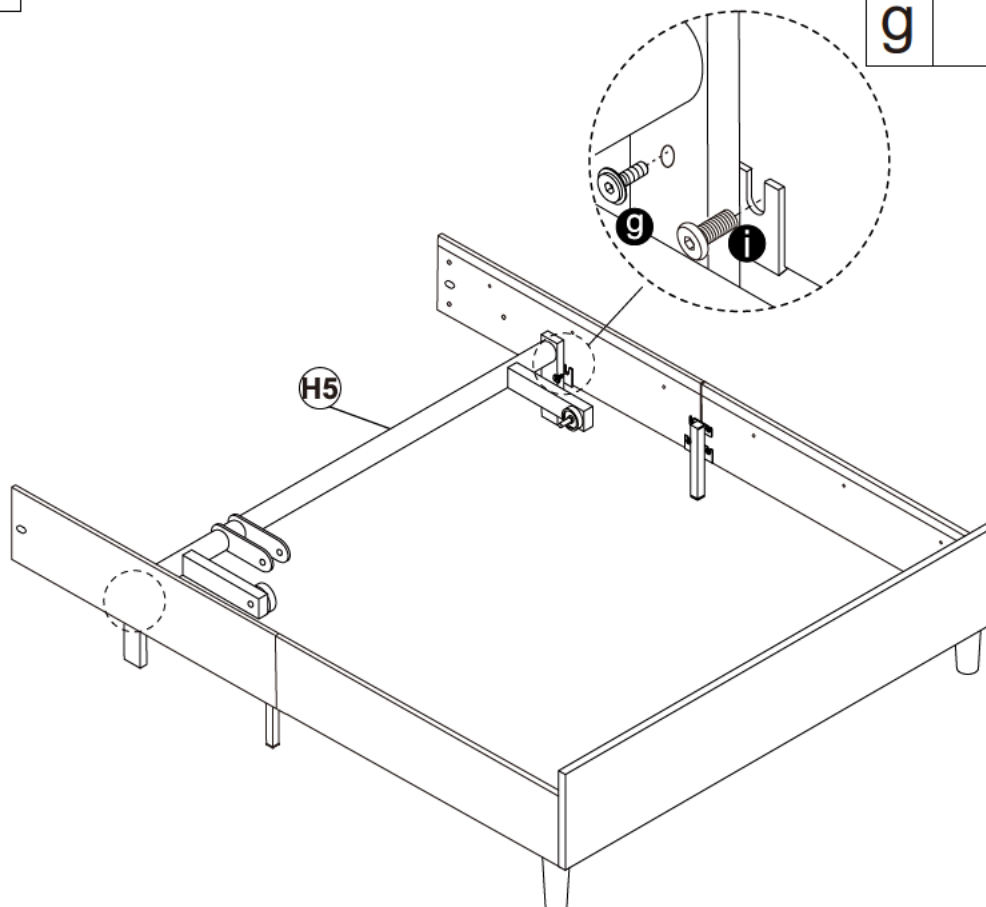
M8*18

4PCS

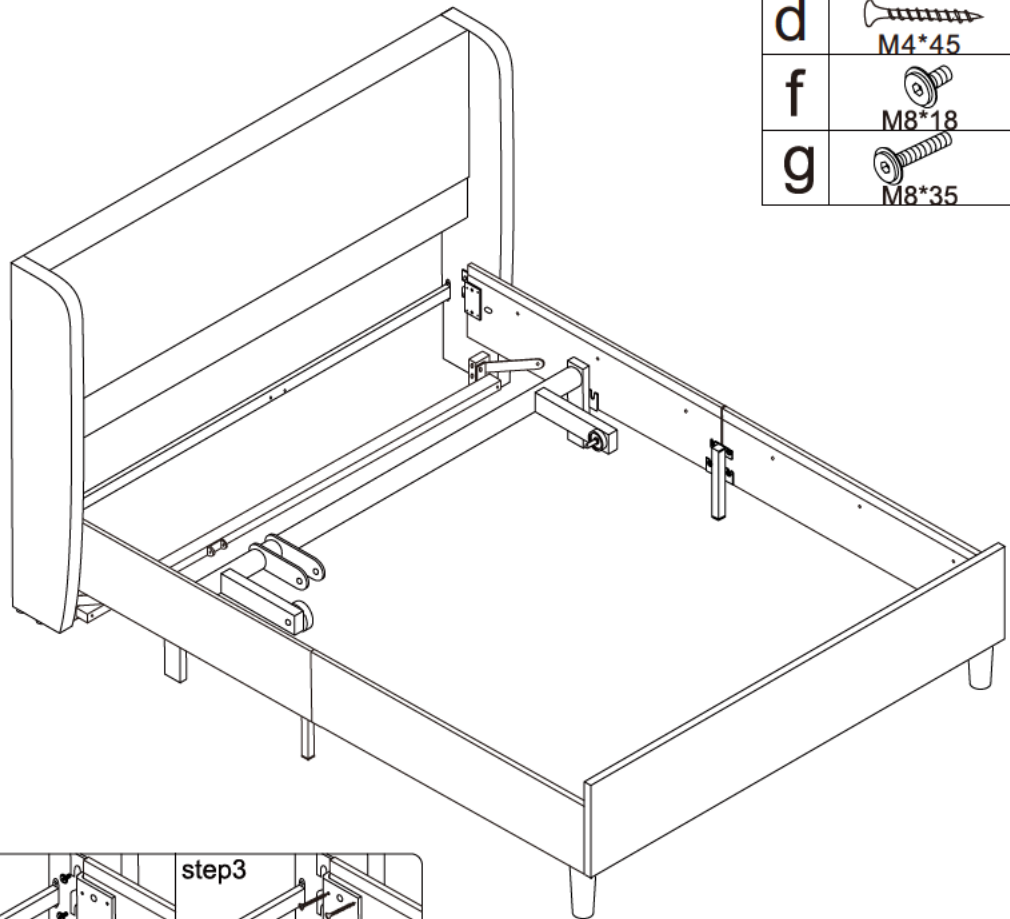
g

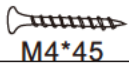

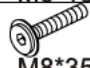
M8*35

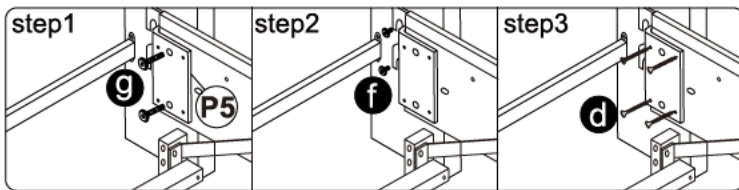
2PCS



step17

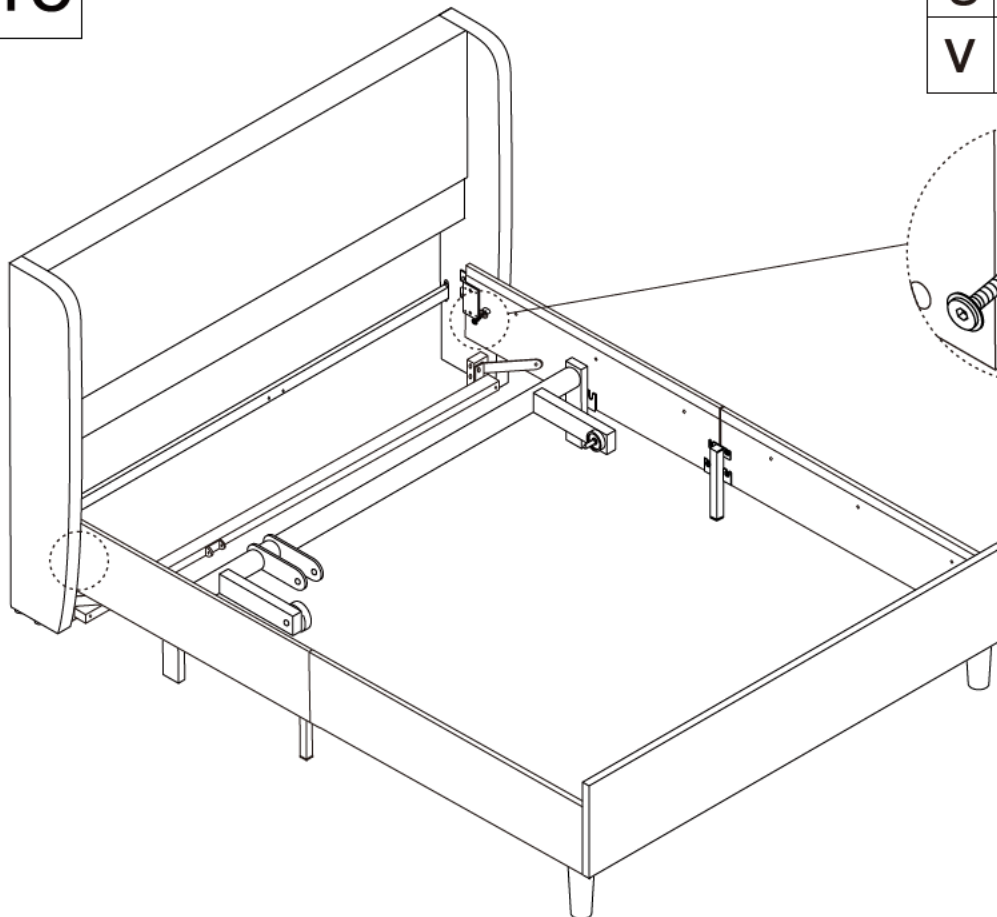




d	 M4*45	8PCS
f	 M8*18	4PCS
g	 M8*35	4PCS



50%pre-screwed. Tighten all bolts.

step18



g	 M8*35	2PCS
v		2PCS

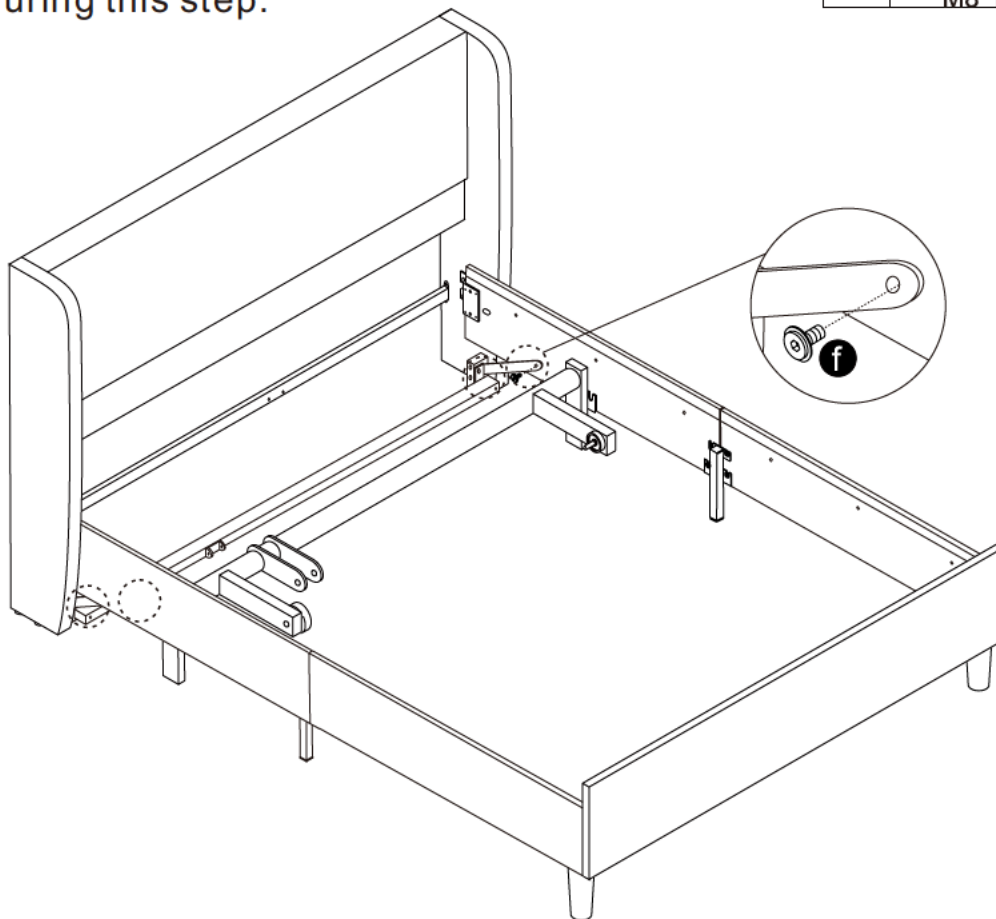
step 19

Tighten the bolts that were pre-screwed to 80% during this step.

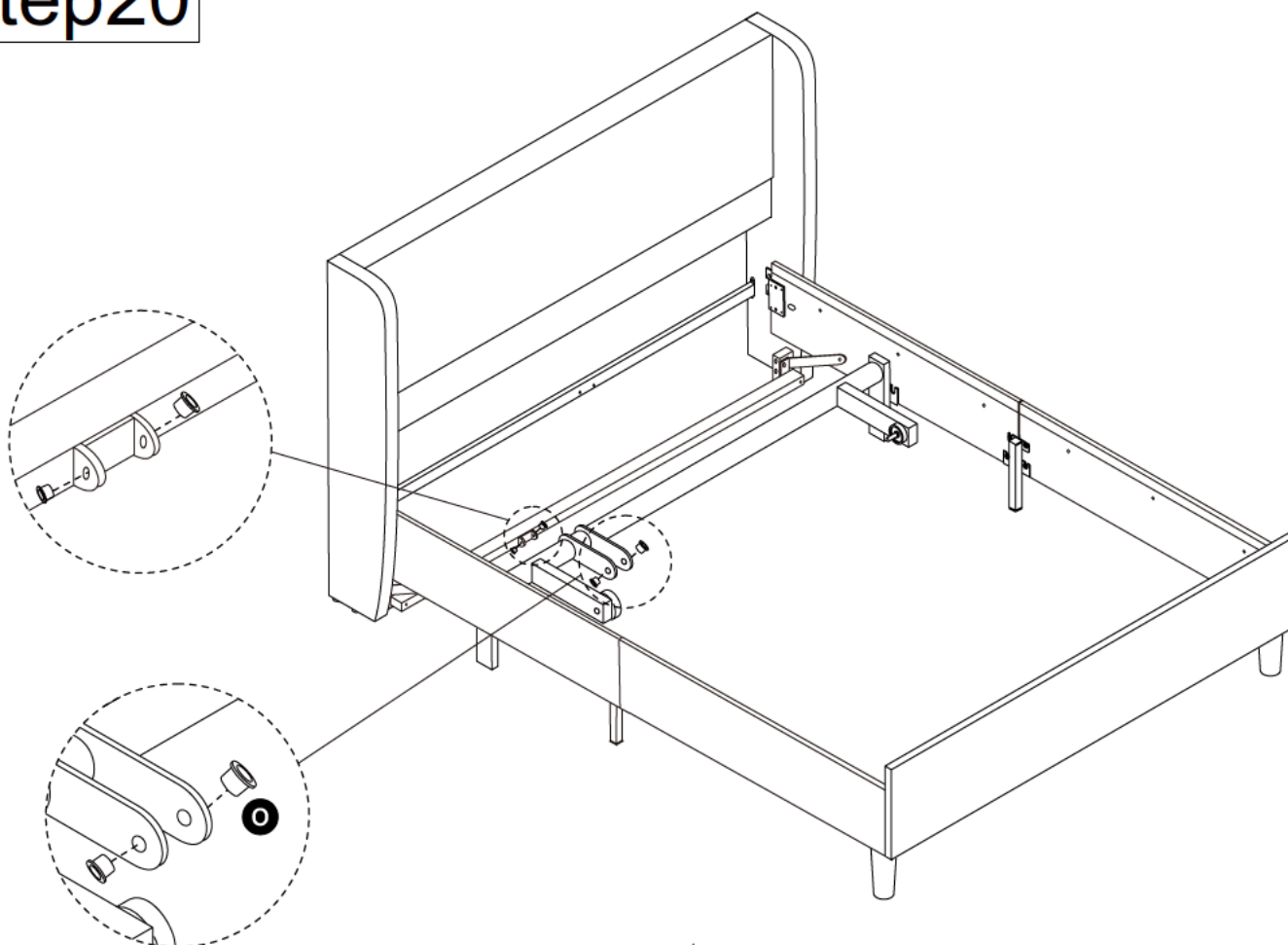
f



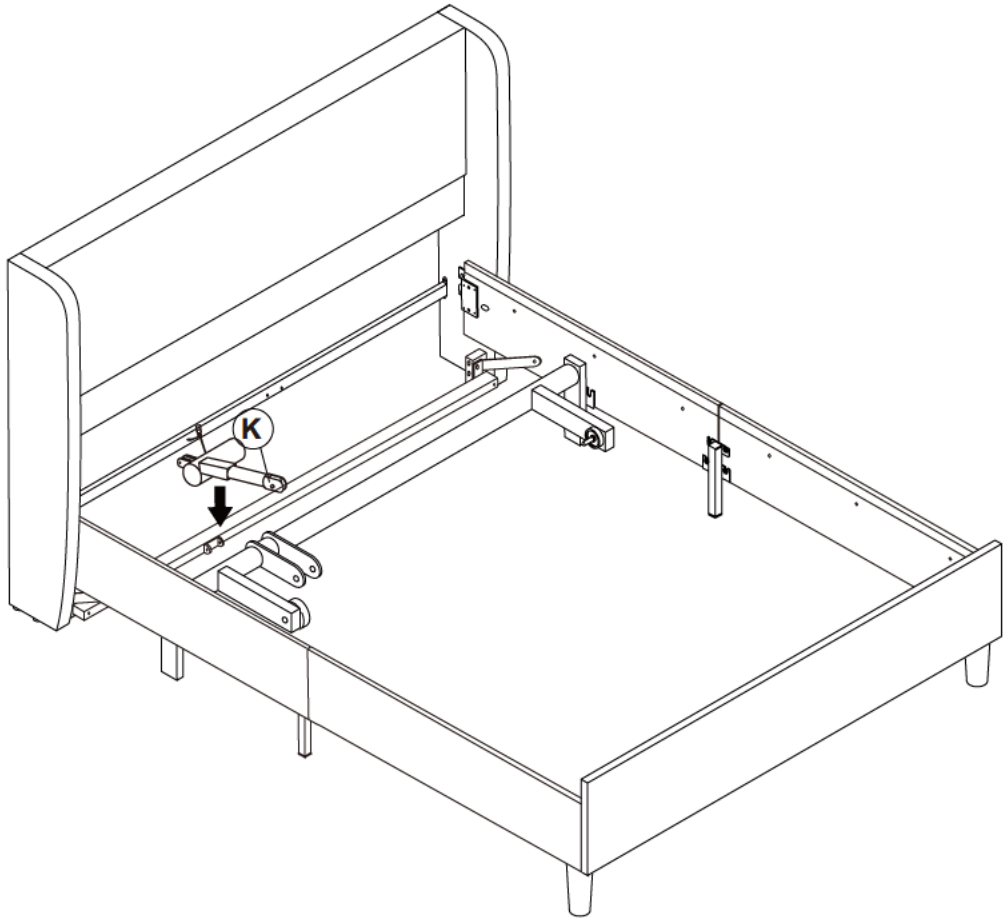
2PCS



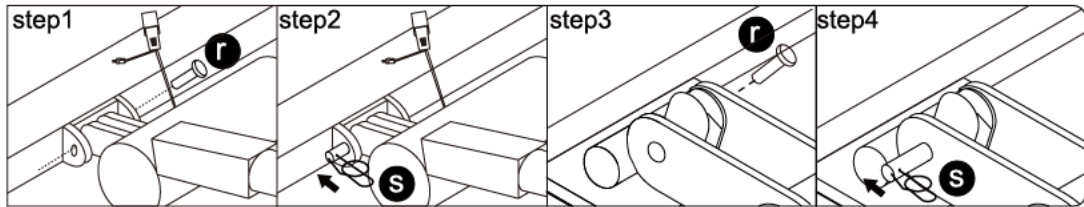
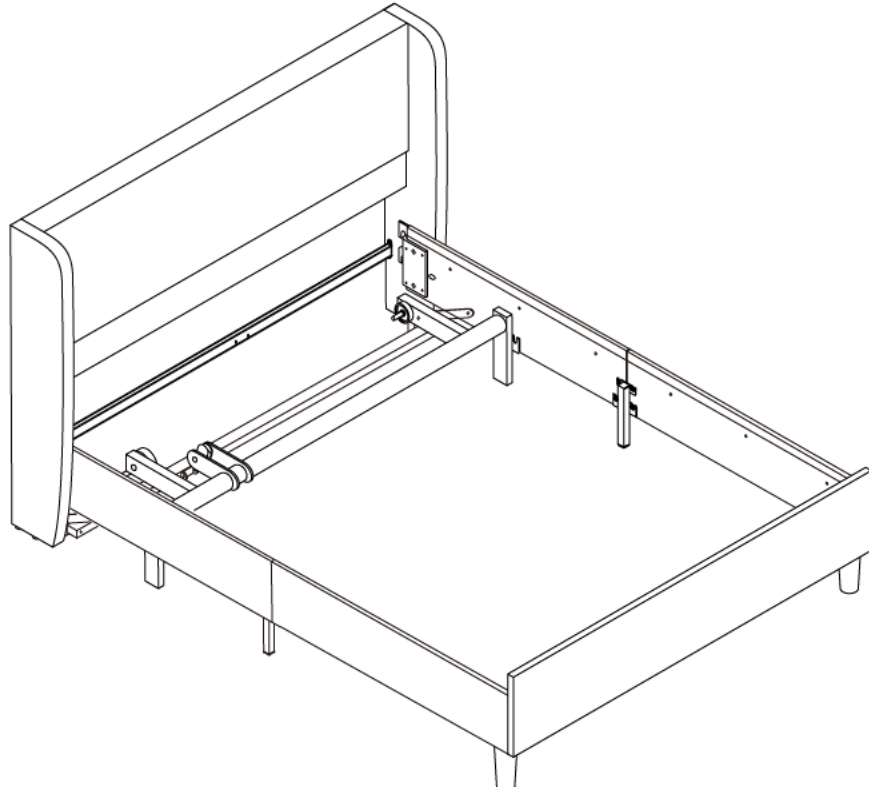
step 20



step21



step22

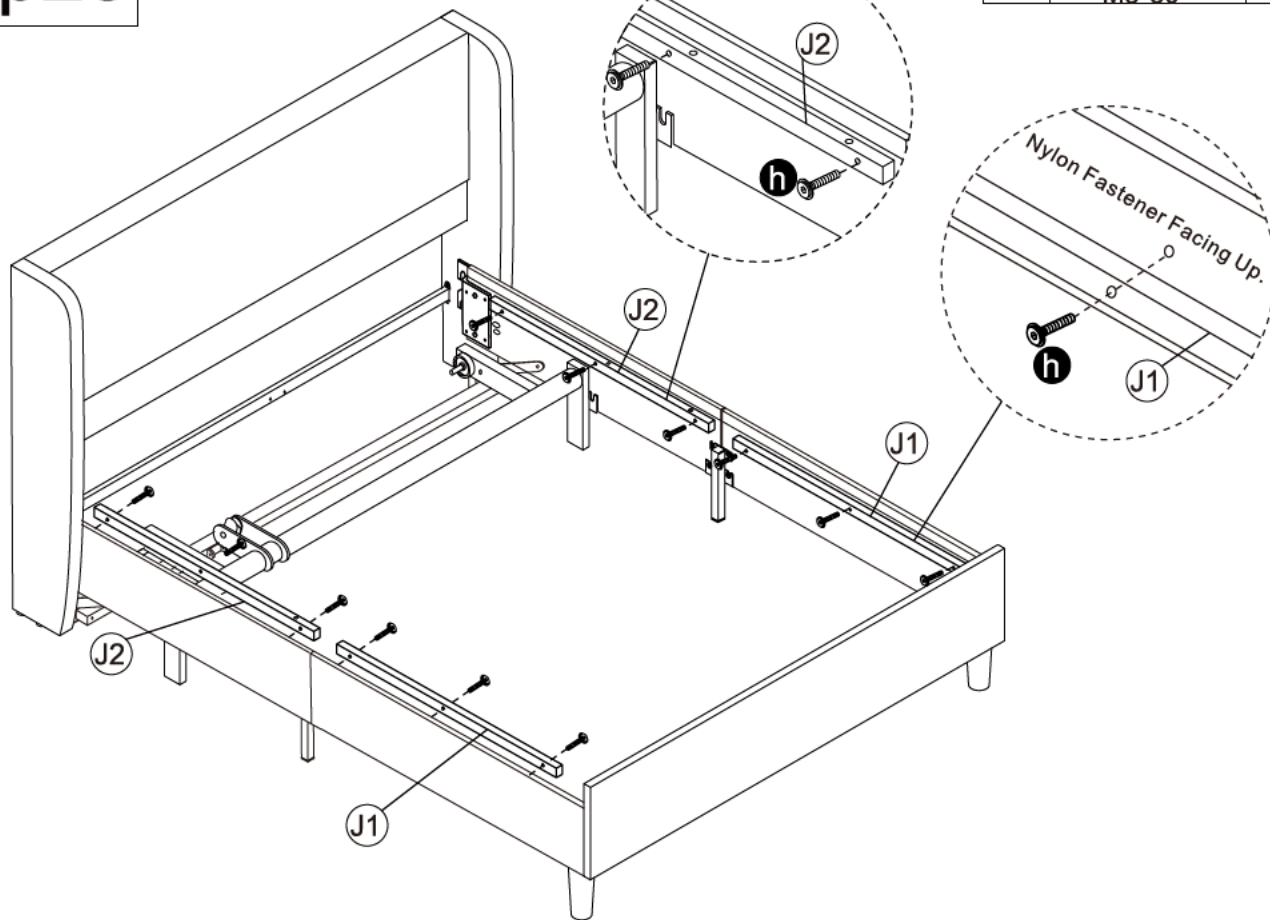


step23

h



12PCS

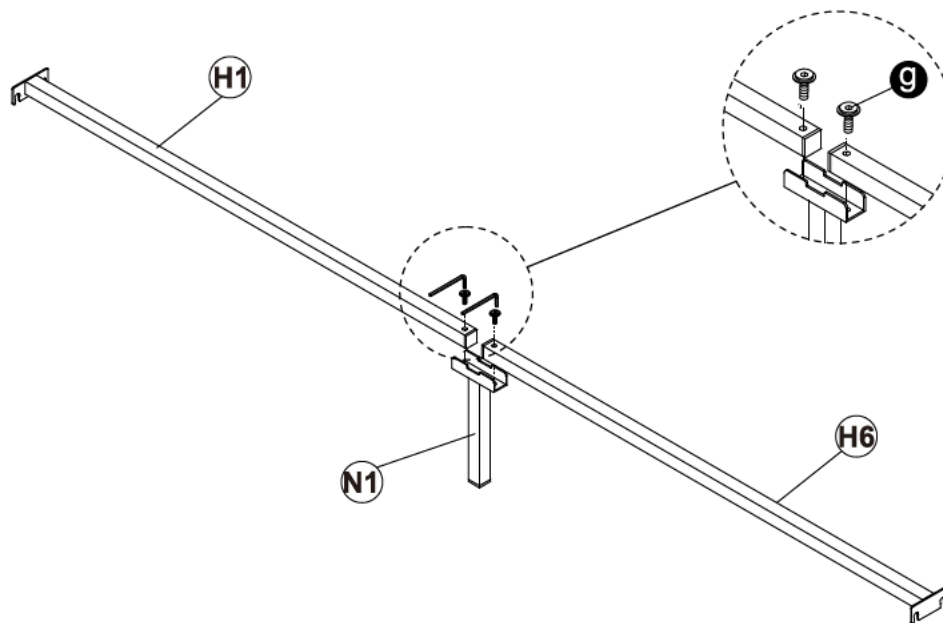


step24

g



2PCS

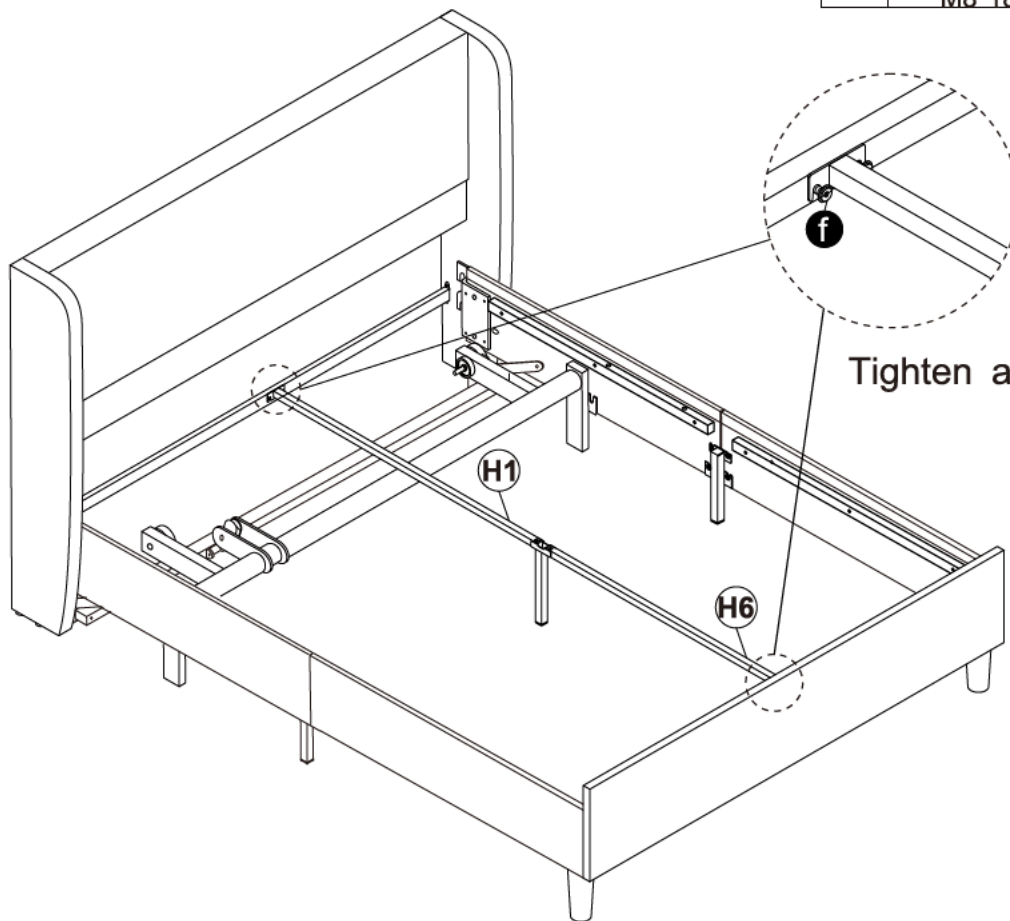


step25

f



2PCS

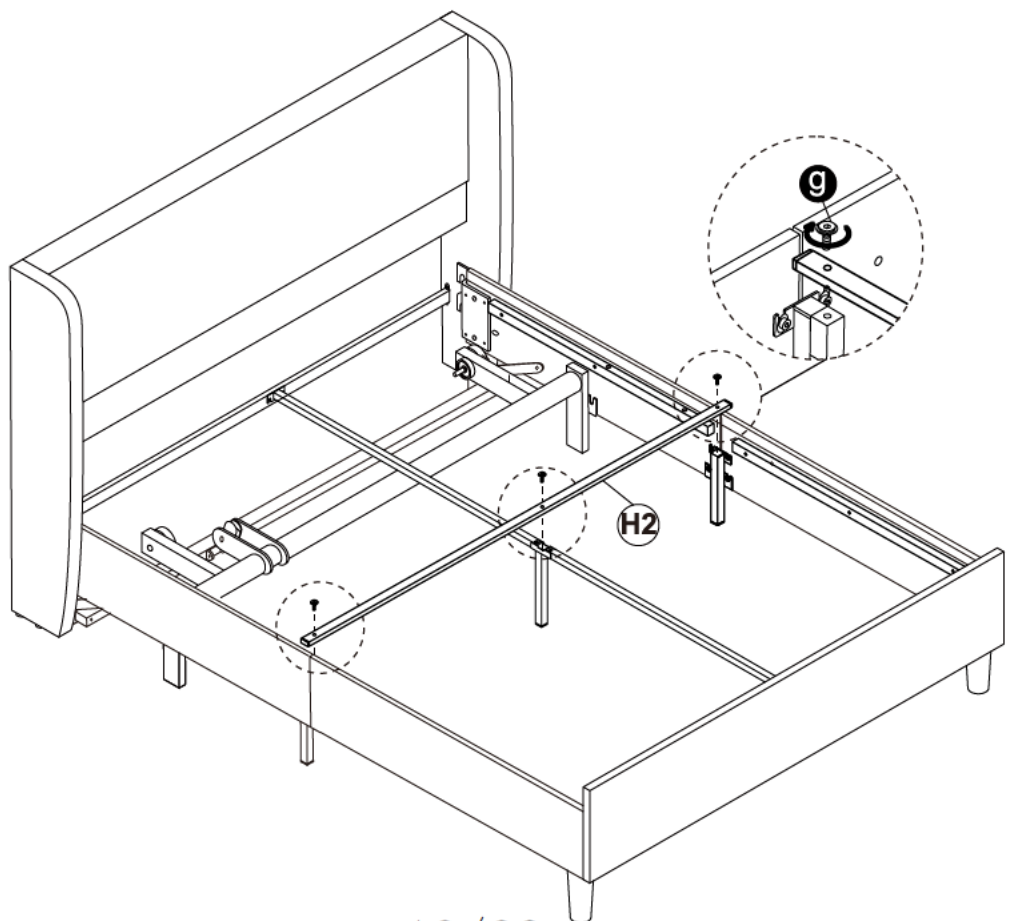


step26

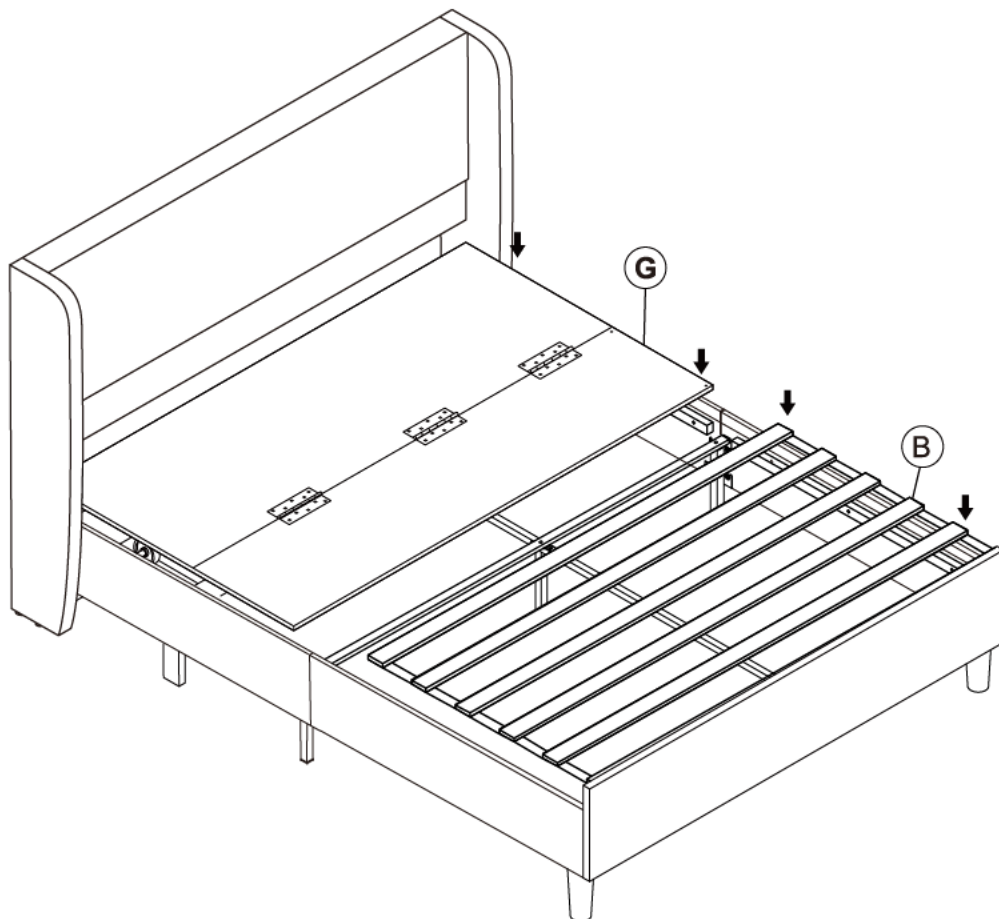
g



3PCS



step27

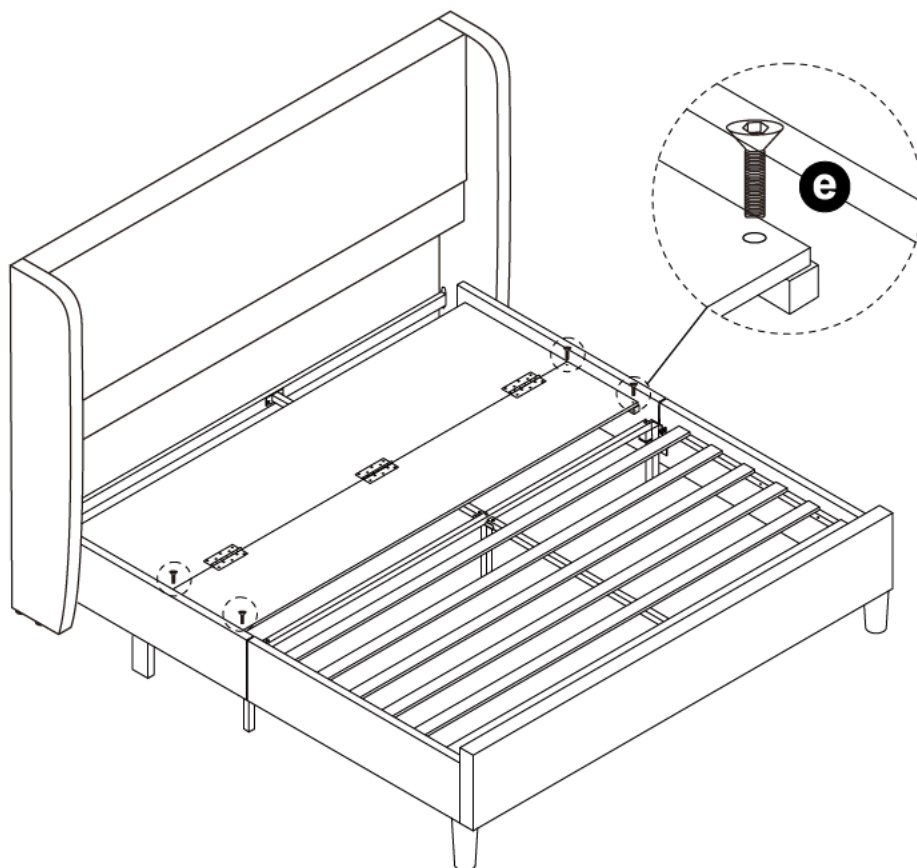


step28

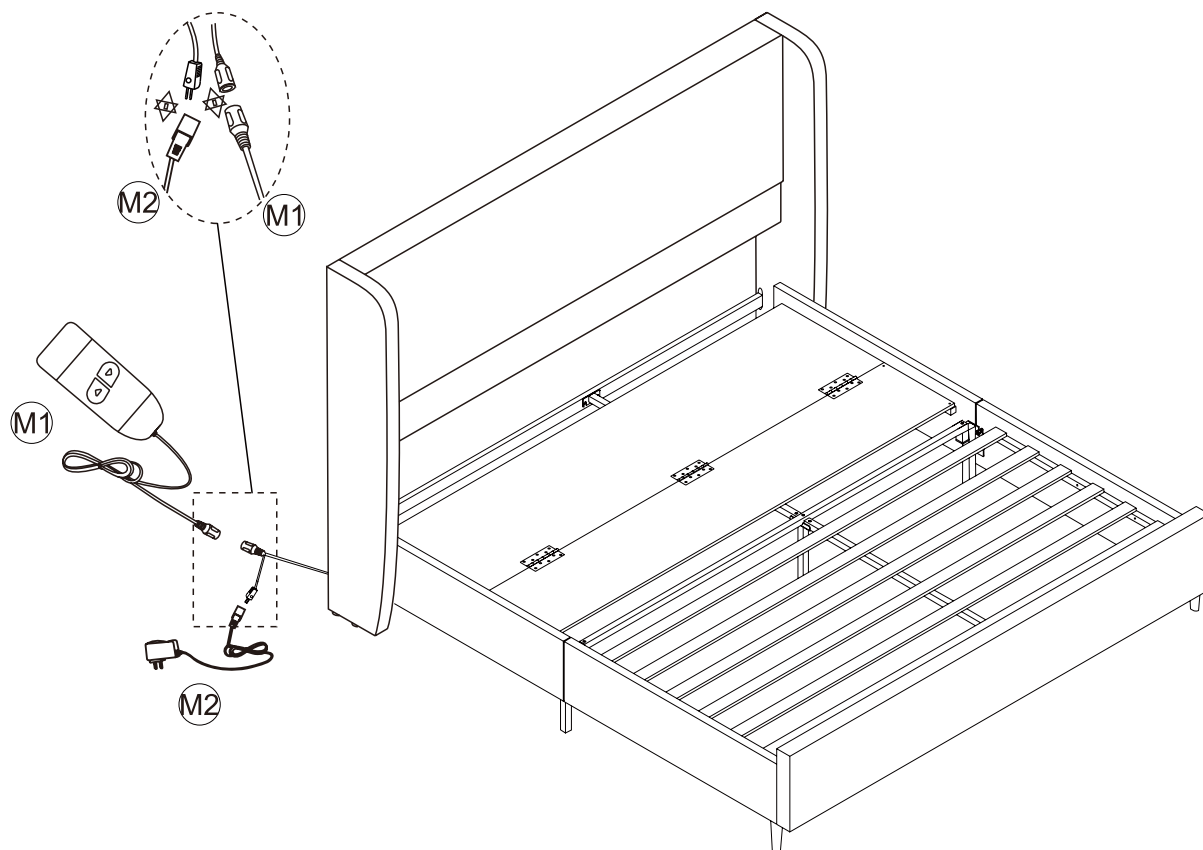
e



4PCS

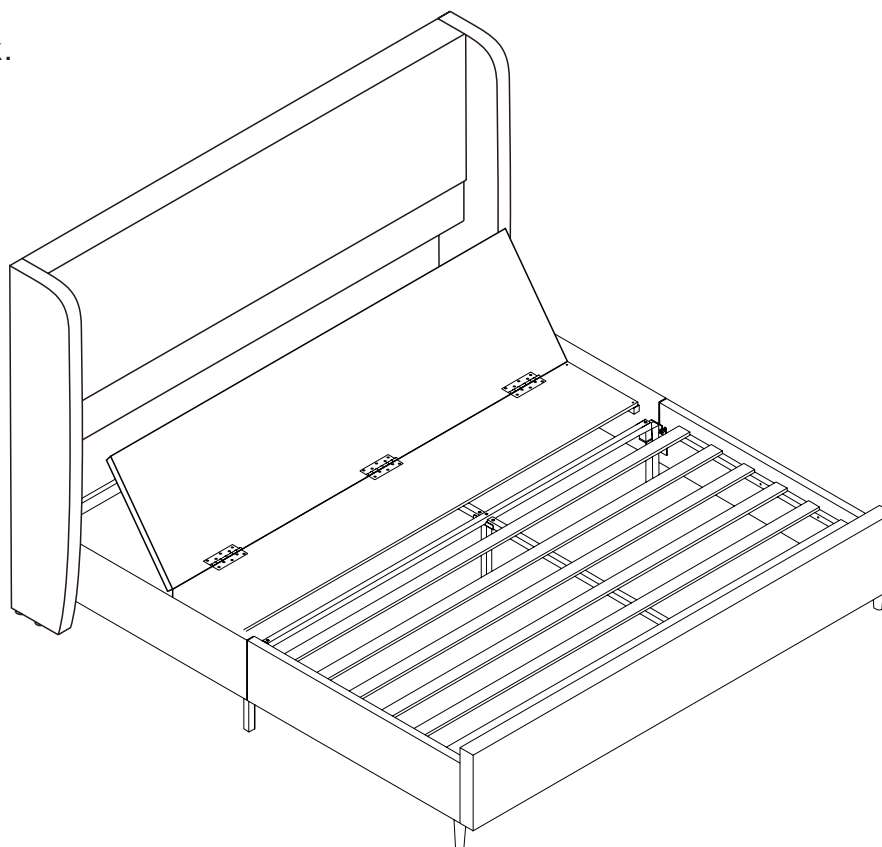
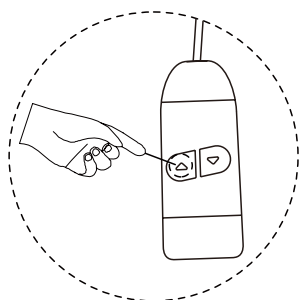


step29



step30

Raise the bed plank.



step31

Put down the bed plank.

