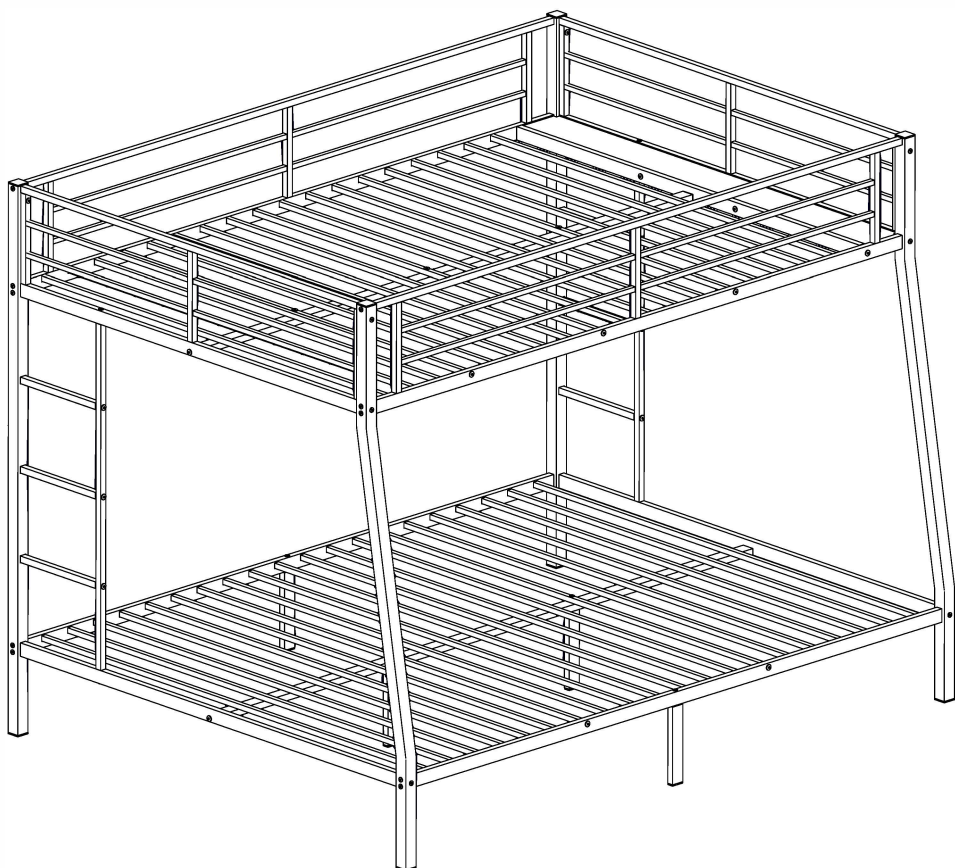


Assembly instructions



SAFETY WARNINGS AND GENERAL NOTES:

1. Follow the information on the warnings on the bunk bed end structure and on the carton. Do not remove the warning label from the bed.
2. Always use the recommended size mattress on mattress support, or both, to help prevent the likelihood of entrapment or falls.
3. Do not allow children under 6 years of age to use the upper bunk.
4. Periodically check and ensure the guardrail, ladder and other components are in their proper position, free from damage, and all connectors are tight.
5. Do not allow horseplay on or under beds.
6. Always prohibit jumping on the bed.
7. Prohibit more than one person on upper bunk.
8. Always use the ladder for entering and leaving the upper bunk.
9. Do not use substitute parts. Contact the manufacturer or dealer for replacement parts.
10. Use of a night-tight may provide added safety precaution for a child using the upper bunk.
11. Always use guardrails on both long sides of the upper bunk.
12. If the bunk bed will be placed next to a wall, the guardrail that runs the full length of the bed should be placed against the wall to prevent entrapment between the bed and the wall.

The use of water or sleep flotation mattresses is prohibited.

13. **STRANGULATION HAZARD**-Never attach or hang items to any part of the bunk bed that are not designed for use with the bed ; for example, but not limited to, hooks, belts and jump ropes.
14. Keep these instructions for future reference.
15. We recommend assembling your bunk bed on the shipping carton to protect your floor or carpet.
16. Be certain all staples are out of the box before beginning assembly on the shipping carton.
17. USE ONLY MATTRESSES WHICH ARE AS THE TABLE BELOW ON UPPER AND ON LOWER BUNKS.

Upper bed

Bed type	Length	Width	Thickness
Full Standard	74" - 75"	54 ½"	6" max

Bottom bed

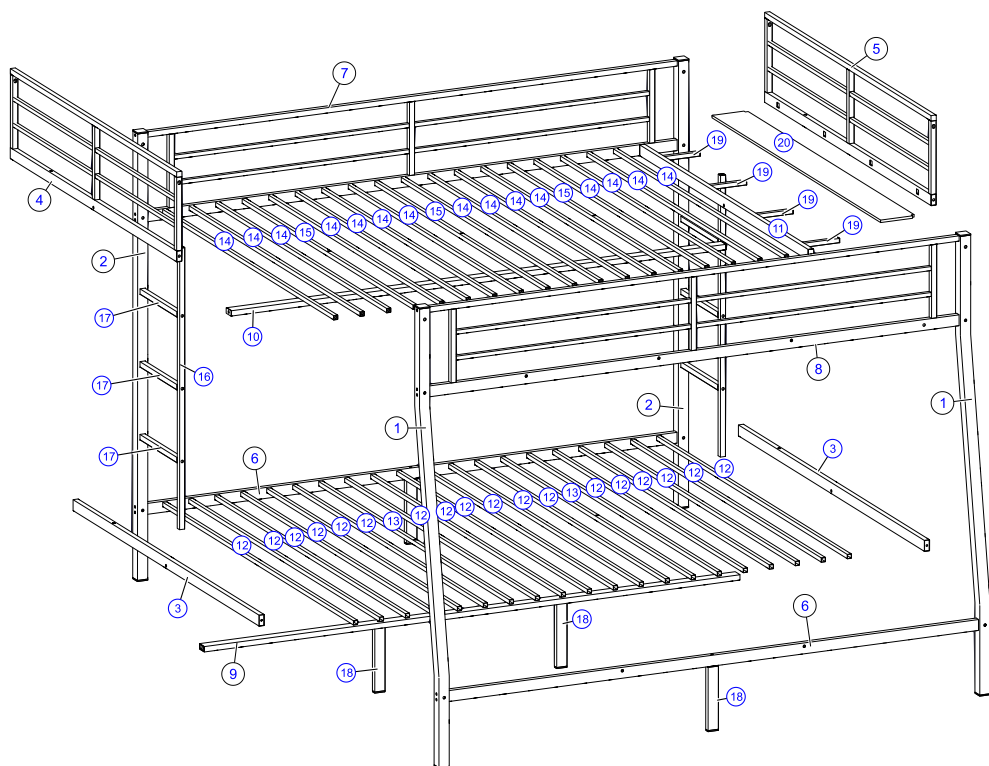
Bed type	Length	Width	Thickness
Queen Standard	79" - 80"	60 ½"	8" max

18. SURFACE OF MATTRESS MUST BE AT LEAST 5"(127MM) BELOW THE UPPER EDGE OF GUARDRAILS.




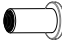






19. Replacement Parts:

Replacement Parts, including additional guardrails, may be obtained from any of our dealers.




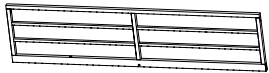


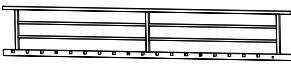
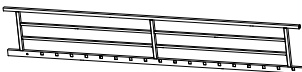

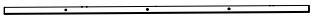
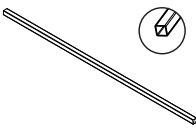
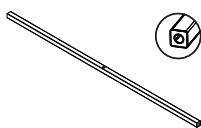
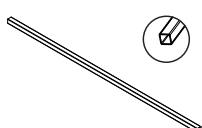
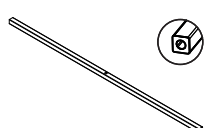





Component distribution preview



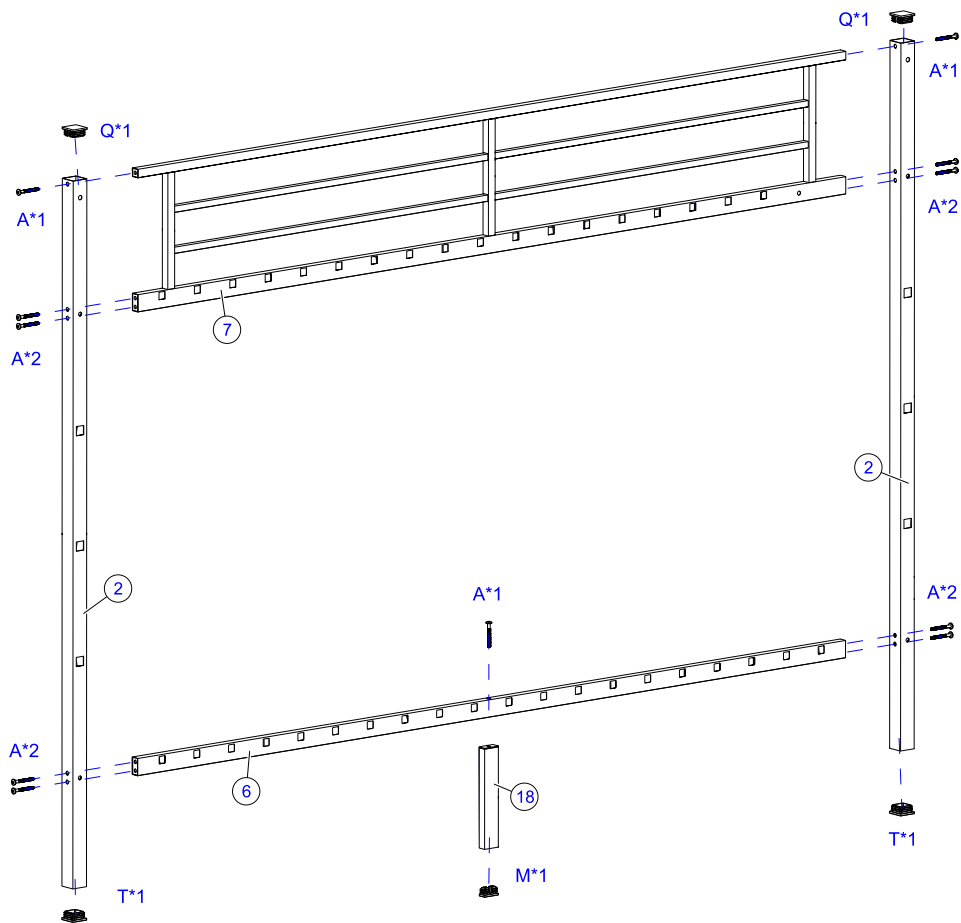
HARDWARE LIST

 <p>A</p>	 <p>B</p>	 <p>C</p>	 <p>D</p>	 <p>E</p>
<p>M8*55-41pcs</p>	<p>M8*35-12pcs</p>	<p>M8*30-13pcs</p>	<p>ΦM8*16-7 pcs</p>	<p>M8*15-6 pcs</p>
 <p>T</p>	 <p>Q</p>	 <p>M</p>	 <p>L</p>	 <p>k</p>
<p>40*40F-4pcs</p>	<p>40*40FQ-4pcs</p>	<p>20*40-4pcs</p>	<p>M5*25-2pcs</p>	<p>2pcs</p>

List of components

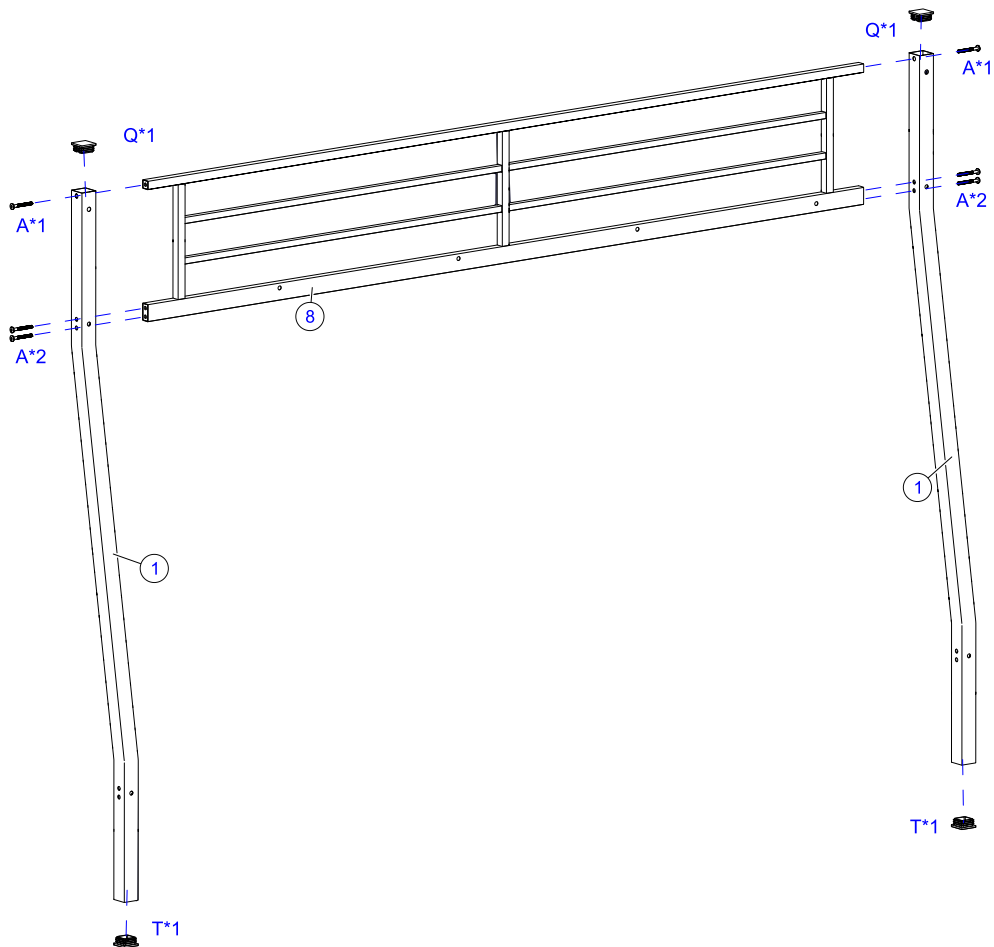
			 4-1pcs			
1-2pcs	2-2pcs	3-2pcs	5-1pcs		6-2pcs	11-1pcs
 7-1pcs			 8-1pcs		  9-1pcs 10-1pcs	
						
12-18 pcs	13-2pcs	14-15 pcs	15-3pcs			
						
16-2pcs	17-6pcs	18-4pcs	19-4pcs	20-1pcs		

Step 1: Use hardware A, L and connect #2, #7, #6 and #18 together.



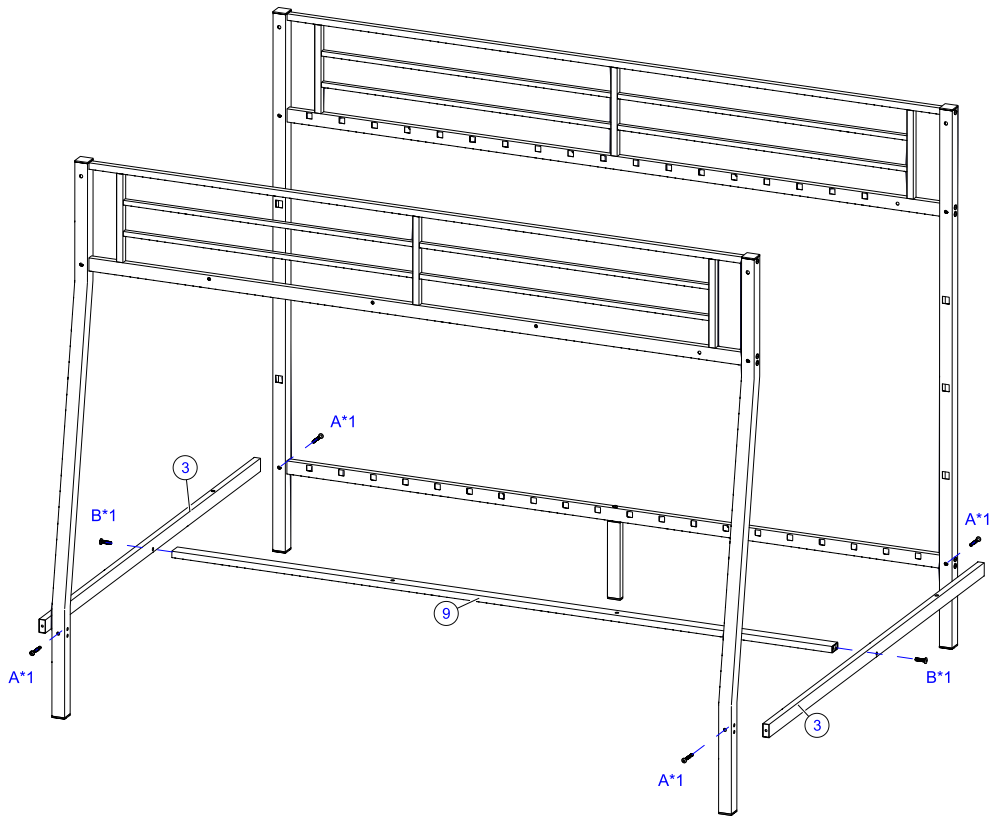
 2-2 pcs	 6-1 pcs	 7-1pcs	 40*40F-2pcs	 M8*55-11pcs
		 18-1pcs	 40*40F-2pcs	 20*40-1pcs


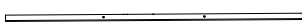



Step 2: Use hardware A and L to connect #1 and #8 together.



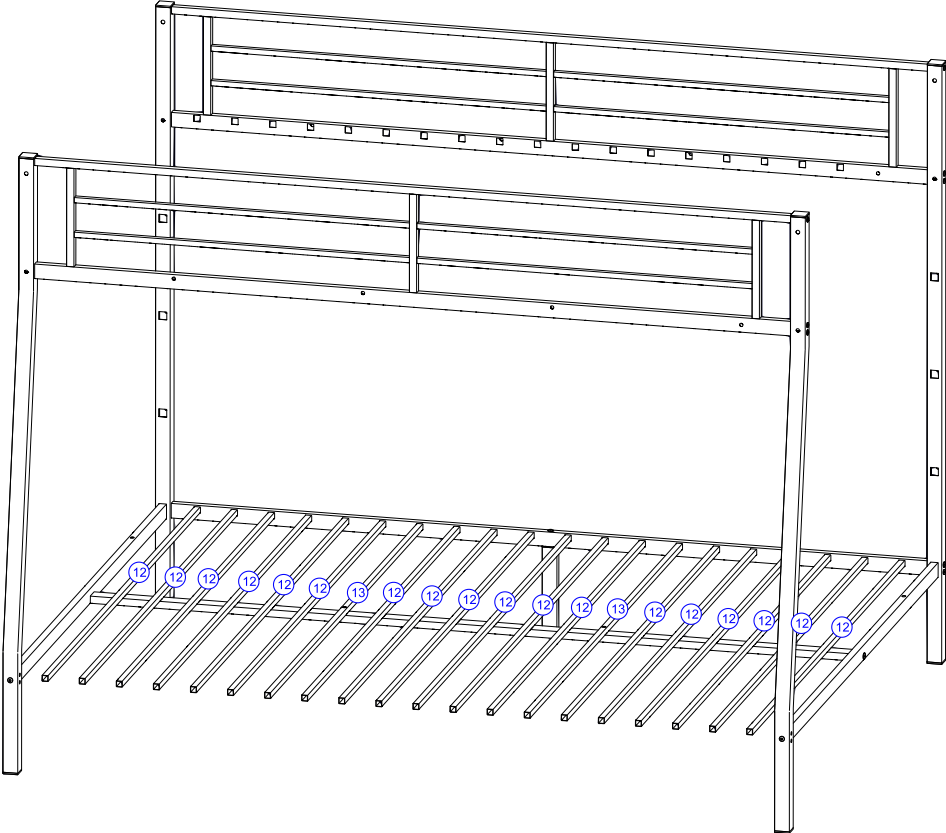
 1-2 pcs	 40*40F-2pcs	 A M8*55- 6 pcs
 8-1 pcs	 40*40FQ-2pcs	 L


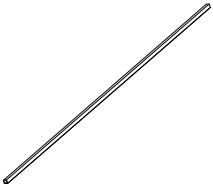

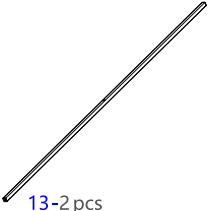
Step 3: Use hardware A, B, L to connect #3 and #9 together.



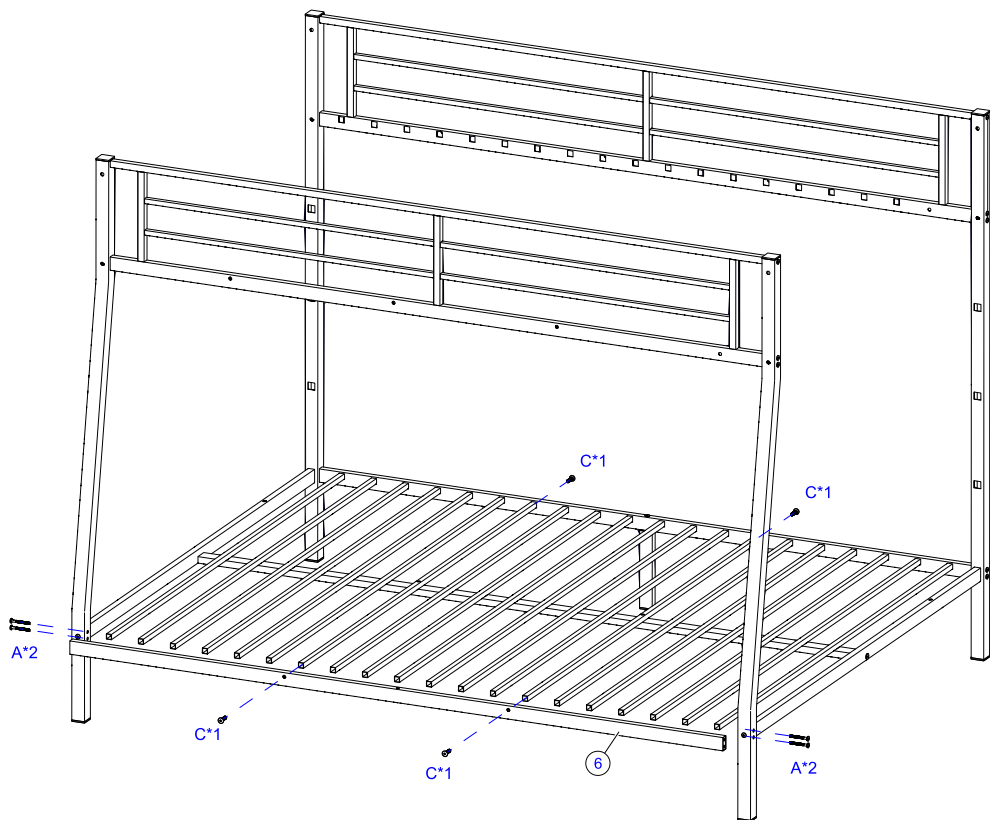
 3-2pcs	 9-1pcs	 A M8*55-4 pcs	 B M8*35-2 pcs	 L
--	---	---	---	---

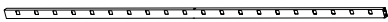



Step 4: Use #12 and #13 to insert into the corresponding square hole of #6 .



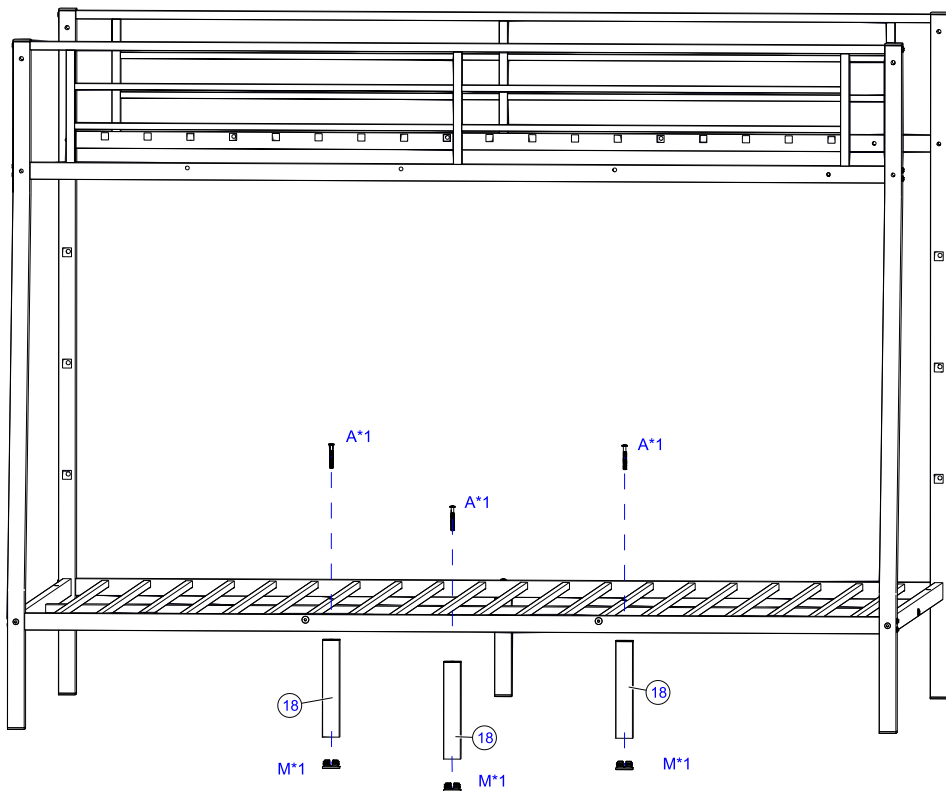
  12-18 pcs	  13-2 pcs	
--	--	--



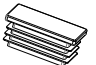

Step 5: Use hardware A, C, L to connect #6 and #13 together.



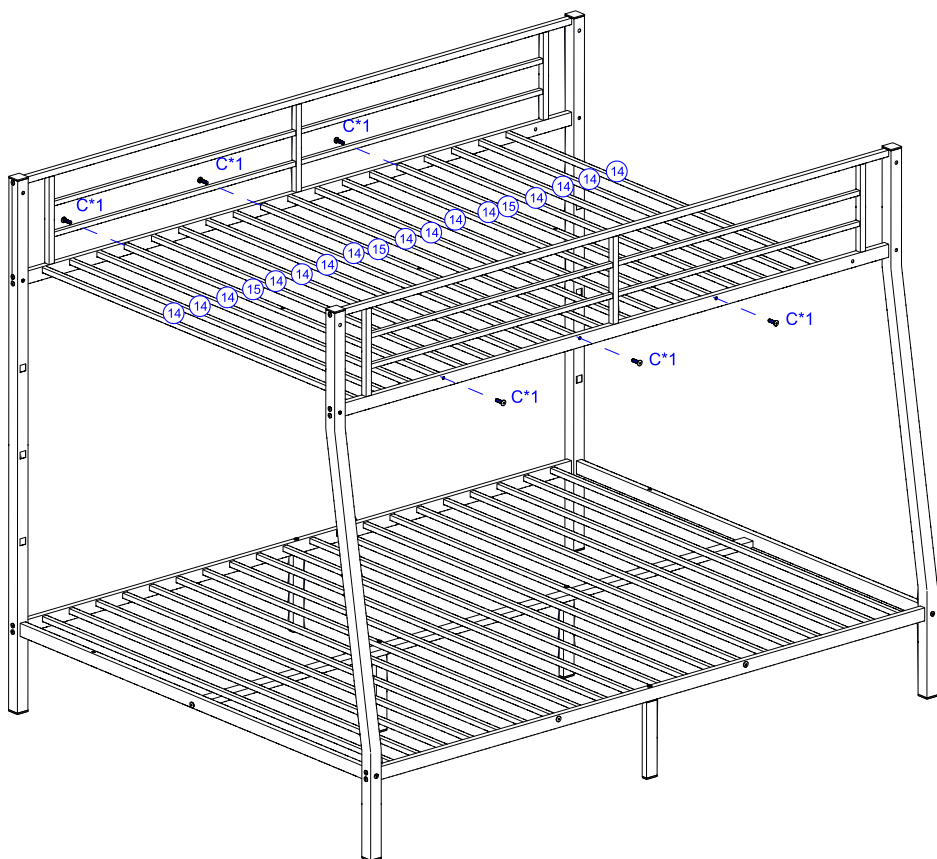
 <p>6-1 pcs</p>	 <p>A M8*55- 4 pcs</p>	 <p>C M8*30-4 pcs</p>	 <p>L</p>
---	---	--	---




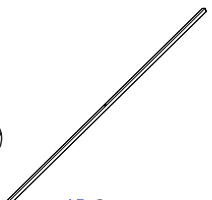


Step 6: Use hardware A, M, L to connect #18 together.



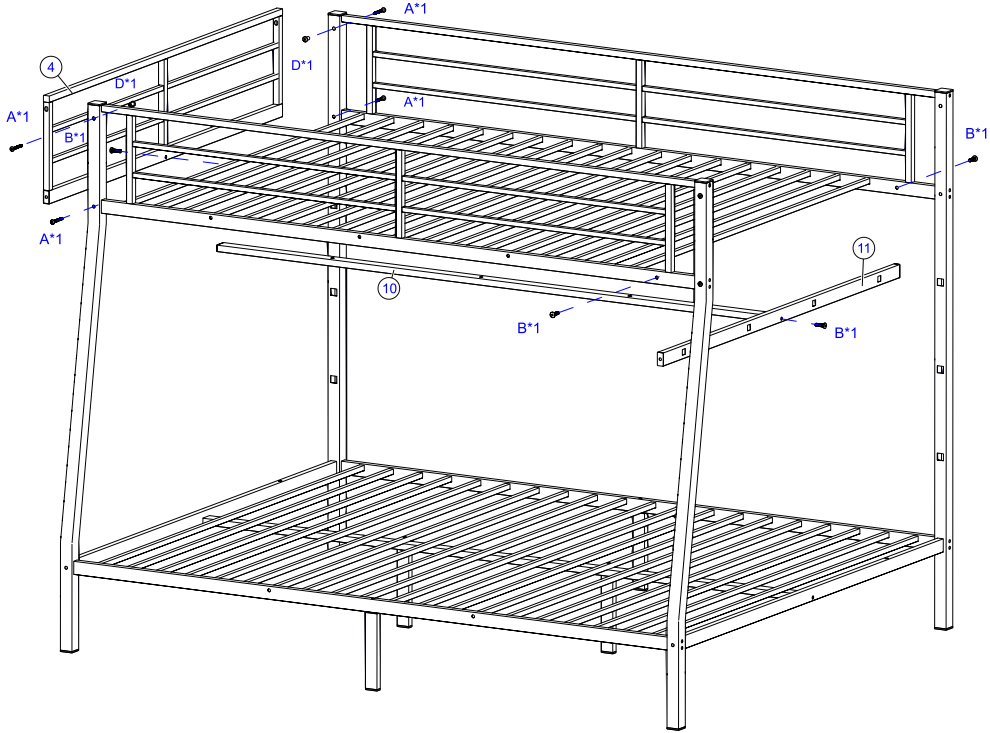
 18-3 pcs	 A M8*55- 3 pcs	 M 20*40-3pcs	 L
---	--	--	---







Step 7: Insert #14 and #15 into the corresponding hole in order, and use hardware C and L to tighten the screws while inserting to prevent them from falling off.



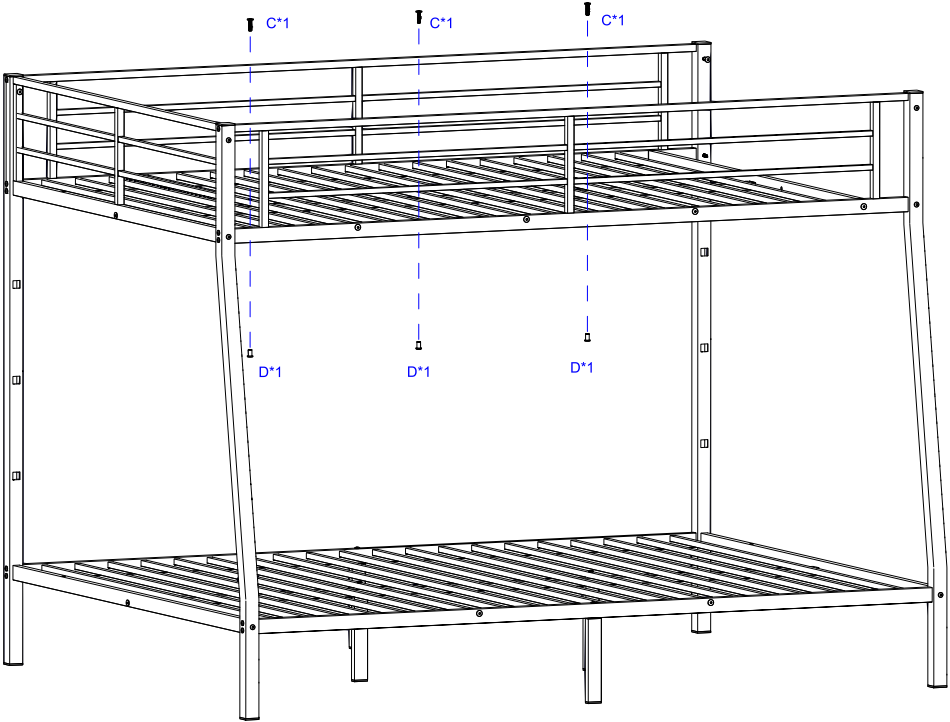
  14-15 pcs	  15-3 pcs	 C M8*30-6 pcs	 L
--	--	---	---

Step 8: Use hardware A, B, D, L to connect #4, #10, #11 together.



 <p>4-1 pcs</p>	 <p>11-1 pcs</p>	 <p>B M8*35-4 pcs</p>
 <p>10-1 pcs</p>	 <p>A M8*55-4 pcs</p>	 <p>D ΦM8*16-2 pcs</p>

Step 9: Use hardware C, D, L to connect #10, #15 together.



C

M8*30- 3 pcs



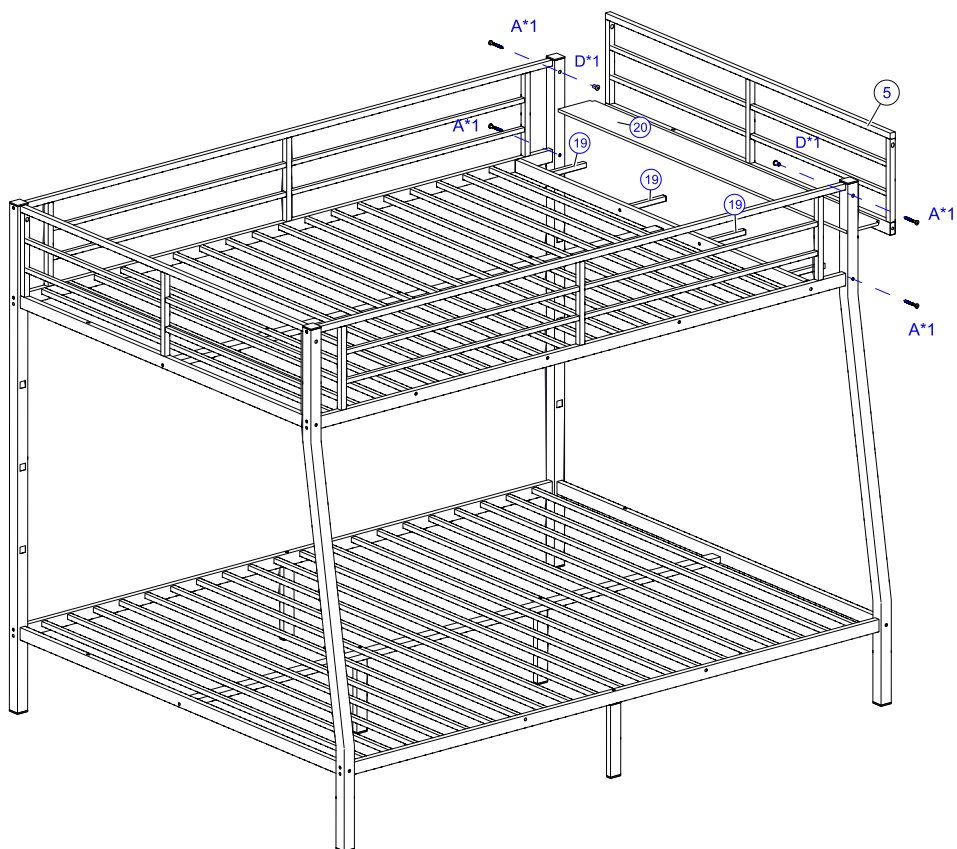
D

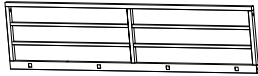
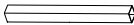



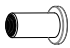
ΦM8*16- 3pcs



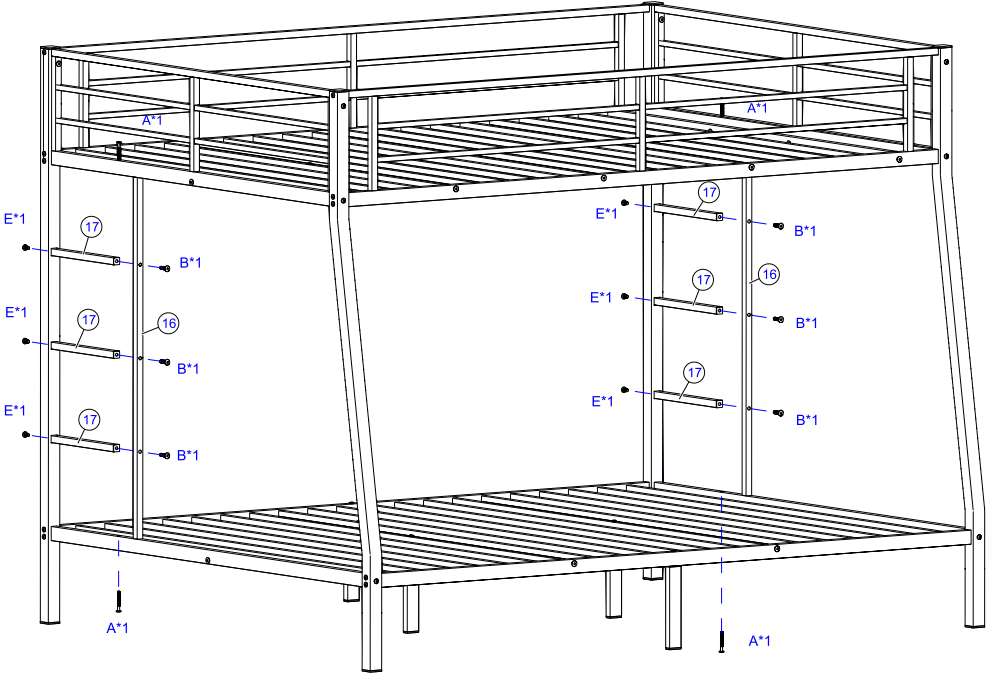
L

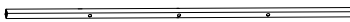




Step 10: Use hardware A, D, L to connect #5, #19, #20 together.



 <p>5-1 pcs</p>	 <p>19-4 pcs</p>	 <p>L</p>
 <p>20-1 pcs</p>	 <p>A M8*55- 4 pcs</p>	 <p>D ΦM8*16-2 pcs</p>

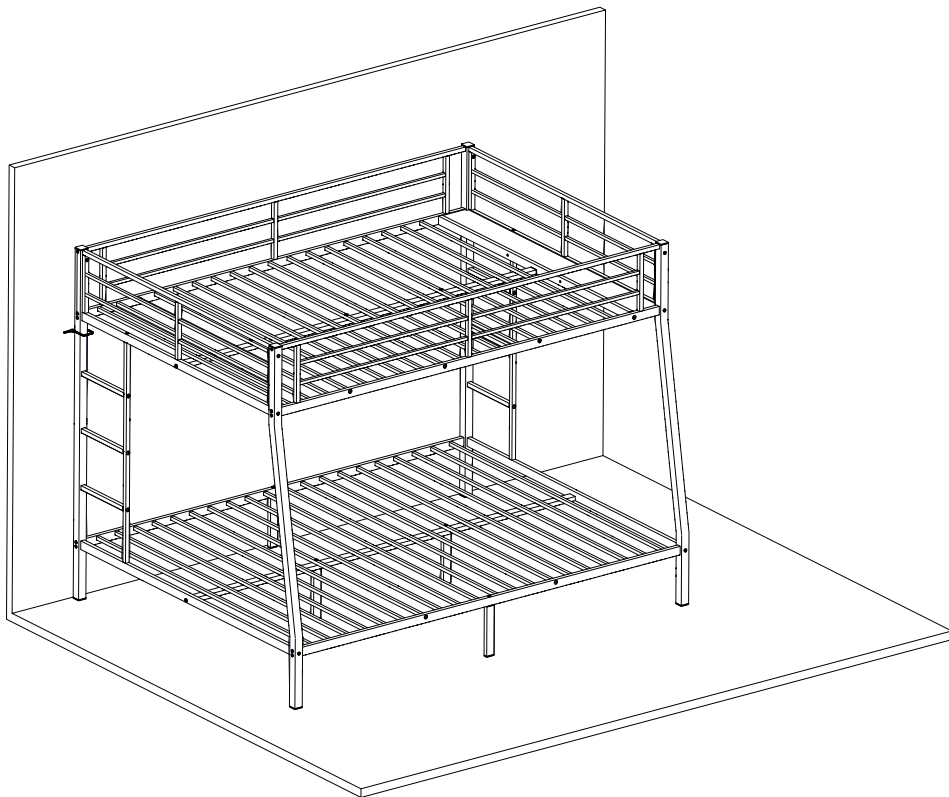
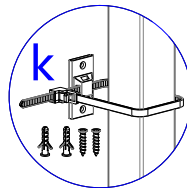
Step 11: Use hardware A, B, F to connect #16, #17 together.



 <p>16-2pcs</p>	 <p>17-6pcs</p>	 <p>A M8*55-4 pcs</p>	 <p>B M8*35-6 pcs</p>	 <p>E M8*15-6pcs</p>
---	--	---	---	---

Completed attic bed

Fix the wall, prevent movement,
selective installation



Note: Tighten all the steps before use,
thank you.



Recyclable garbage