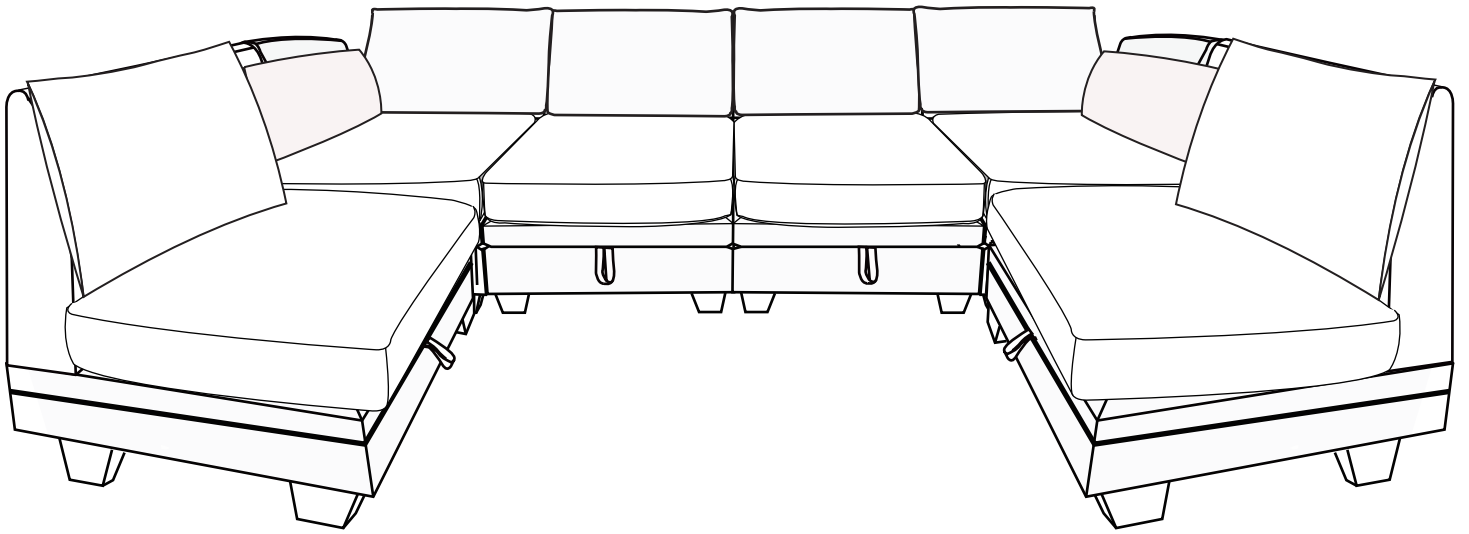
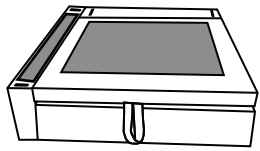


ASSEMBLY INSTRUCTIONS

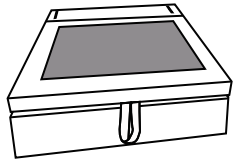


WF312982/WF312983/WF312984/WF312985/WF312986

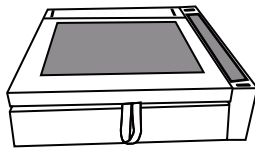
Parts List



Right-stand
A X 1



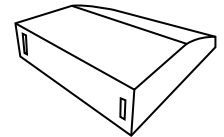
Center seat frame
B X 4



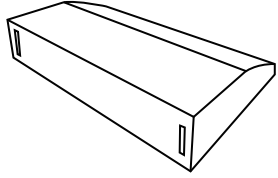
Left-stand
C X 1



Snap link piece
D X 6



Armrests
E X 2



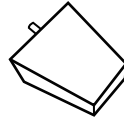
Backrest
F X 6



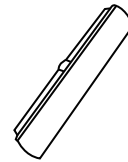
Seat bag
G X 6



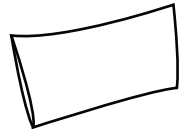
Cushion bag
H X 6



Foot
I X 24

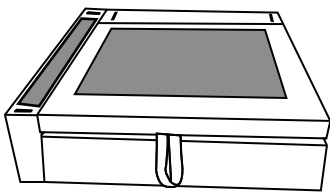


Metal pins
J X 16

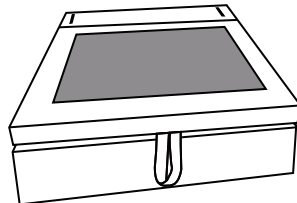


Armrest pillow
K X 2

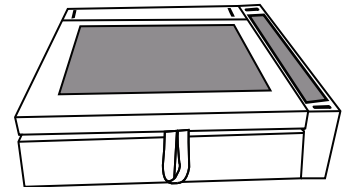
Installation method



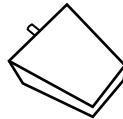
Right-stand
A X 1



Center seat frame
B X 4



C X 1



Foot X 24

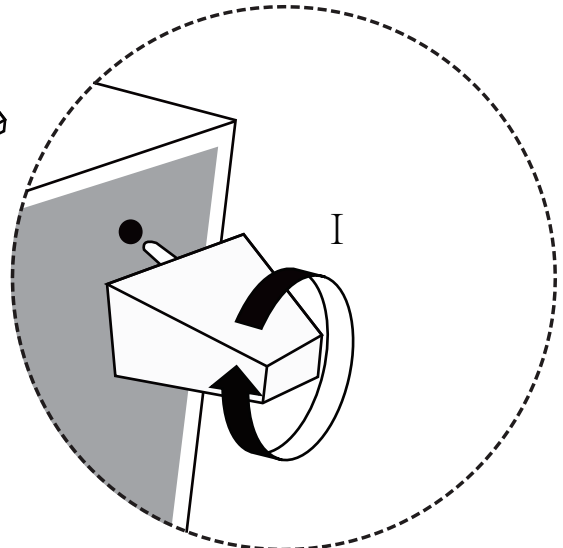
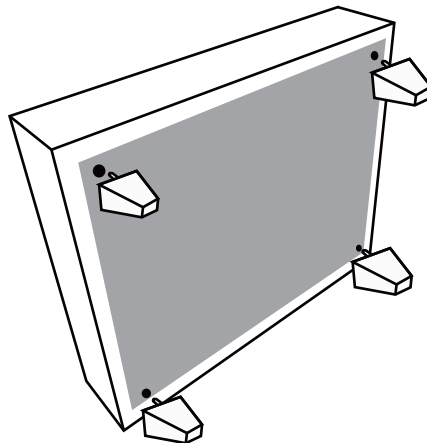
WF312982 BOX 5-1:
A*1+C*1+F*2+D*6+
H*2+J*16+I*8

WF312983 BOX 5-2:
B*2+F*2+H*2+G*1+I*8+K*1

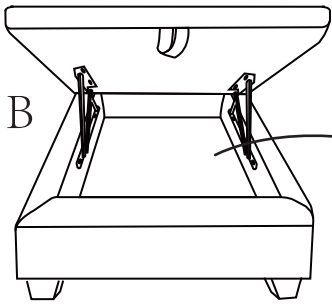
WF312984 BOX 5-3:
B*2+F*2+H*2+G*1+I*8+K*1

WF312985 BOX 5-4:
G*4

WF312986 BOX 5-5:
E*2



▲ Attention: Please take out all parts of the bottom frame carefully .



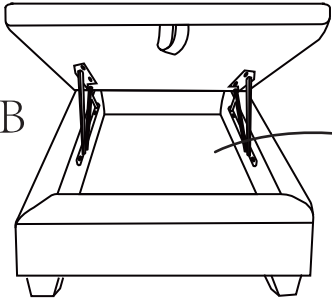
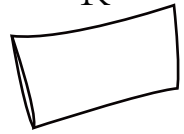
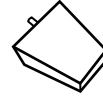
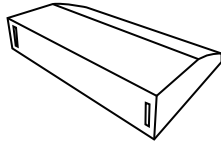
B

F

H

I x 4

K

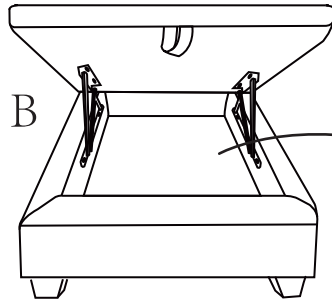
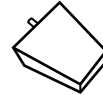
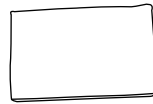
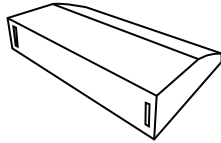


B

F

H

I x 4



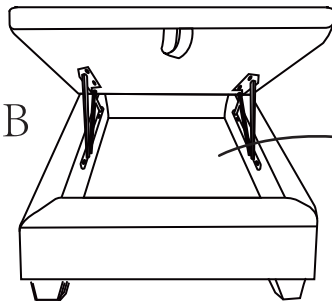
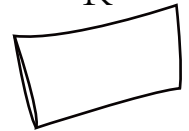
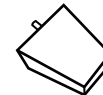
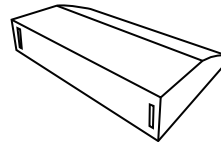
B

F

H

I x 4

K

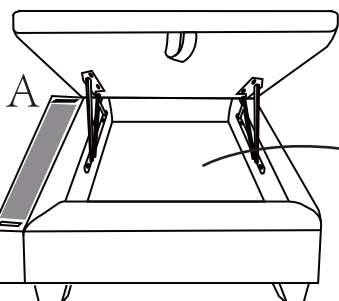
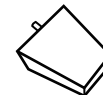
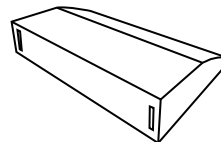


B

F

H

I x 4



A

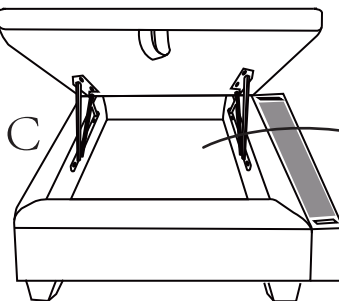
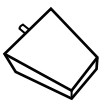
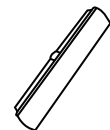
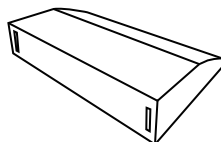
F

H

D x 6

J x 12

I x 4

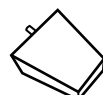
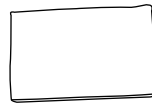
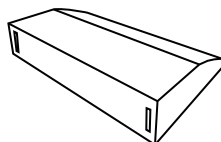


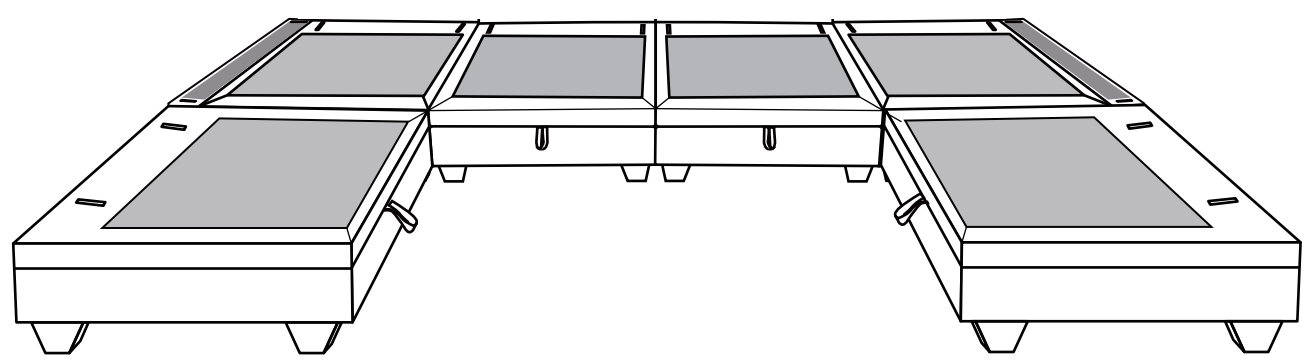
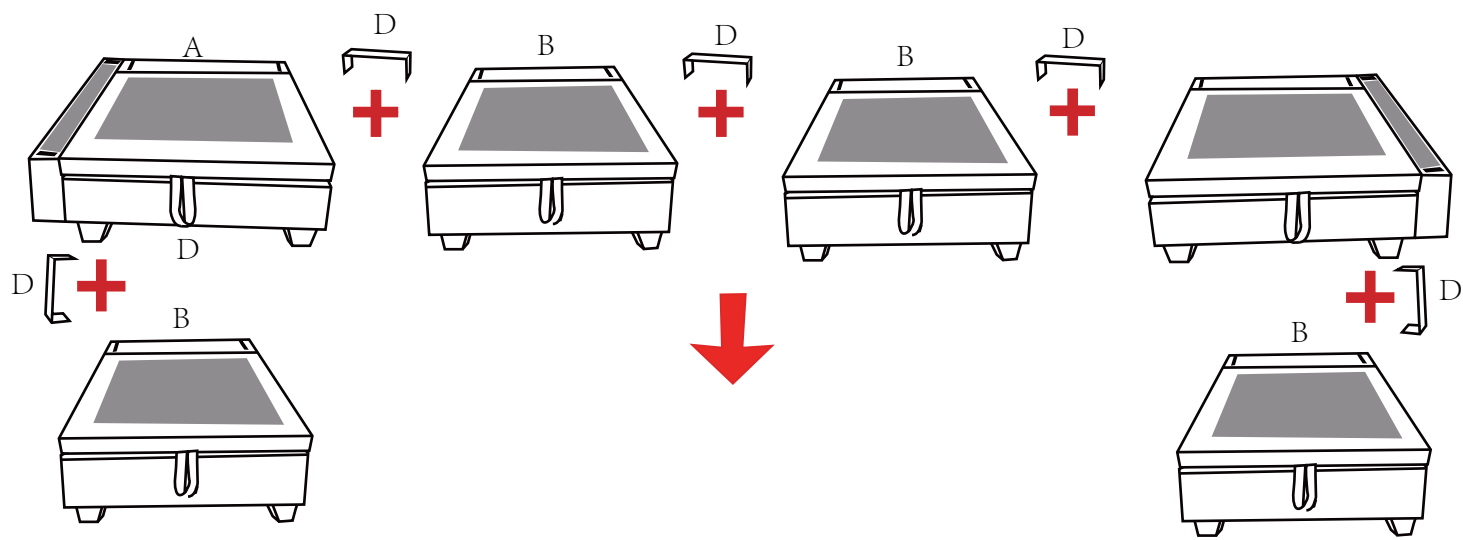
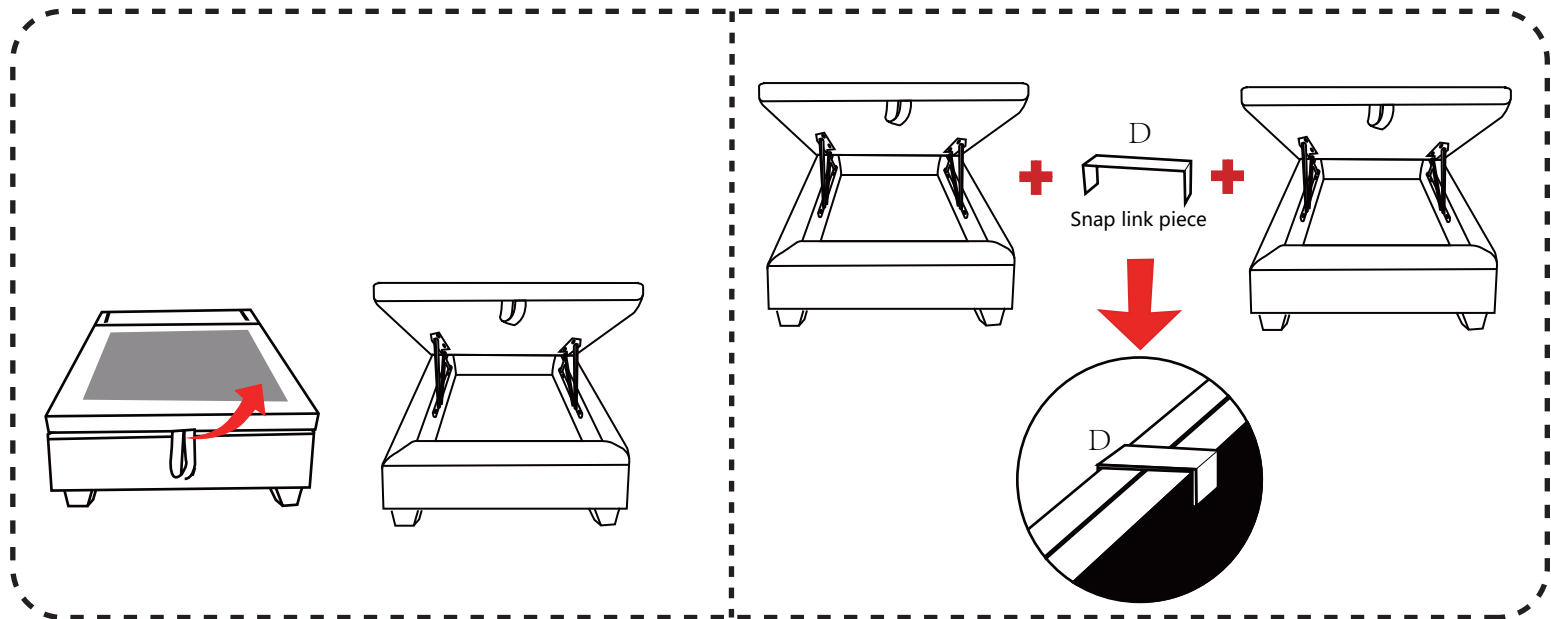
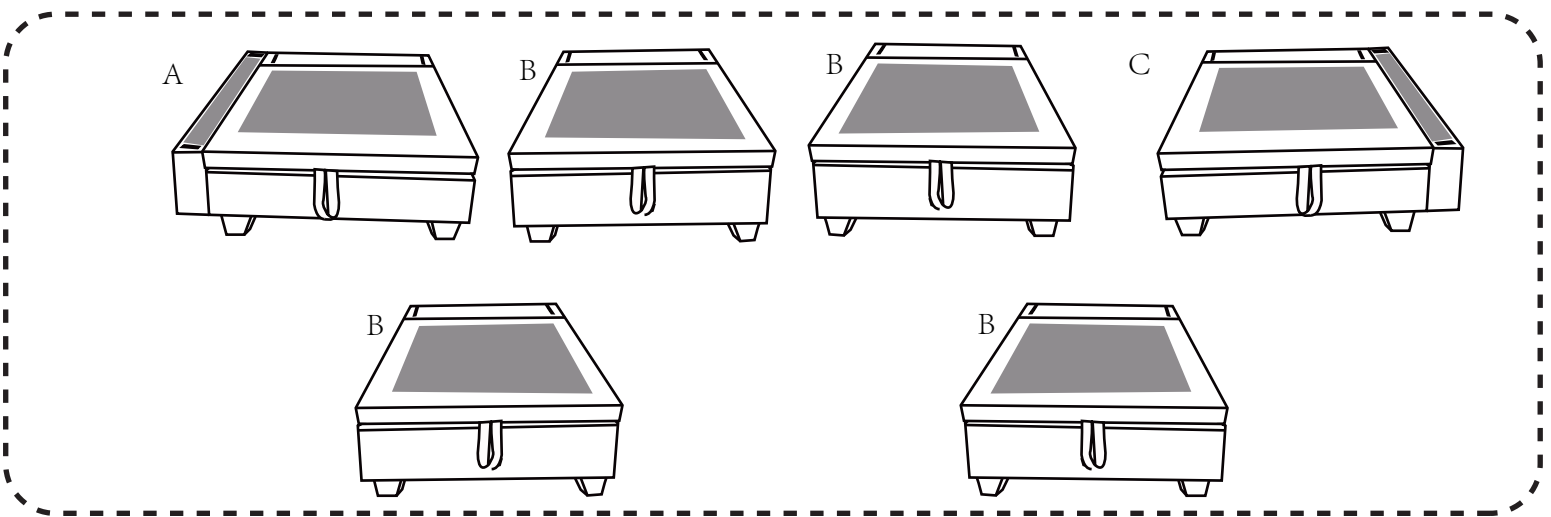
C

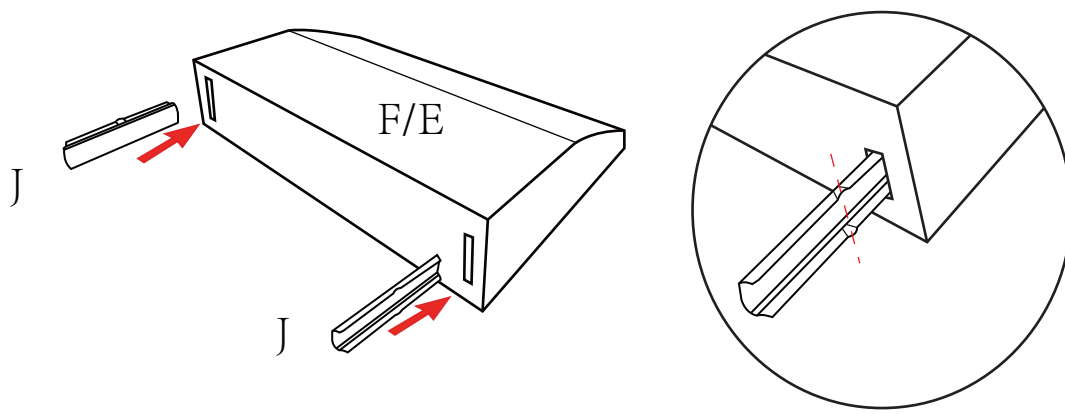
F

H

I x 4

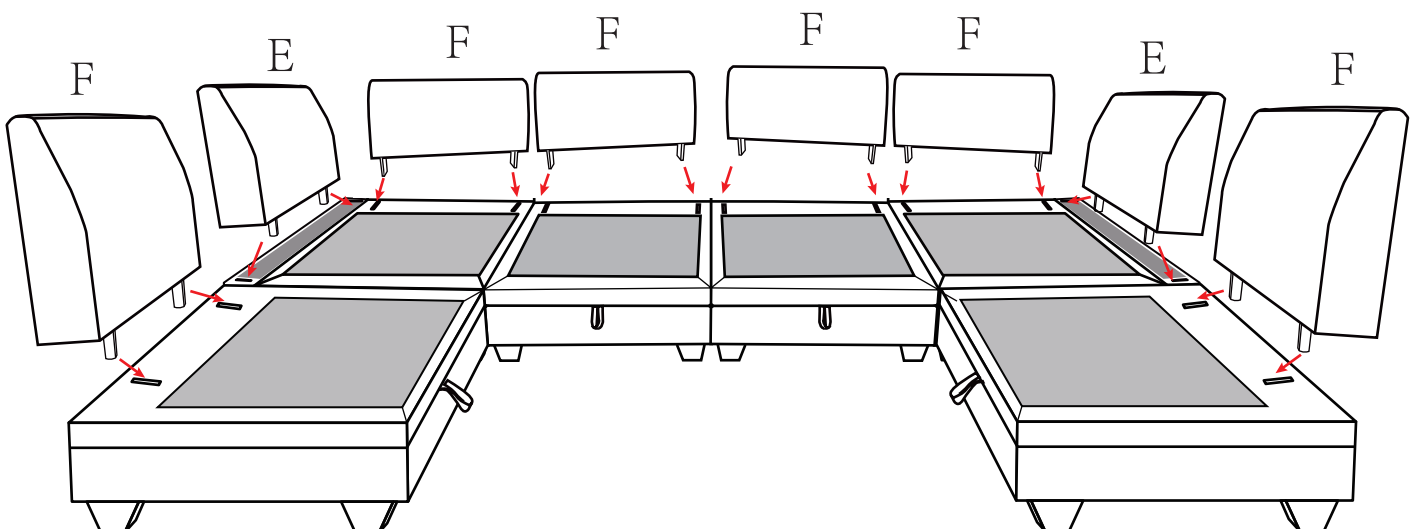
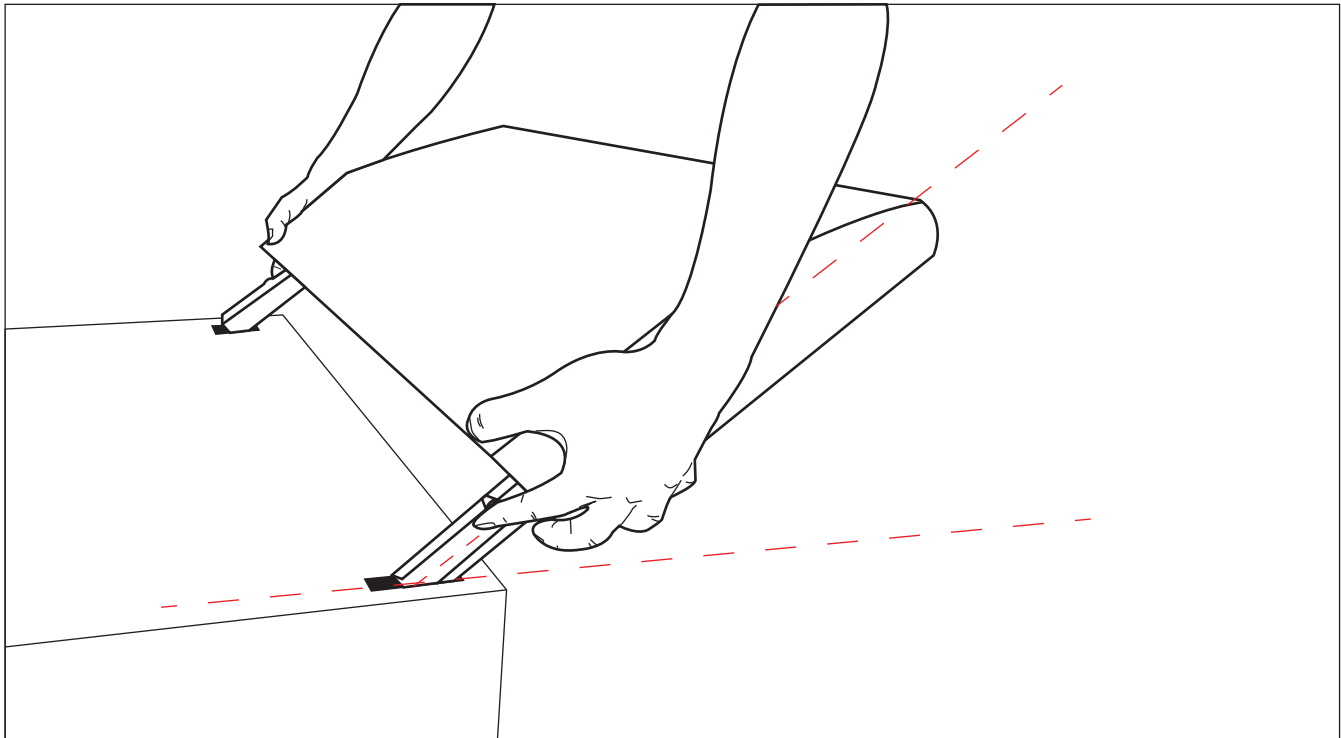


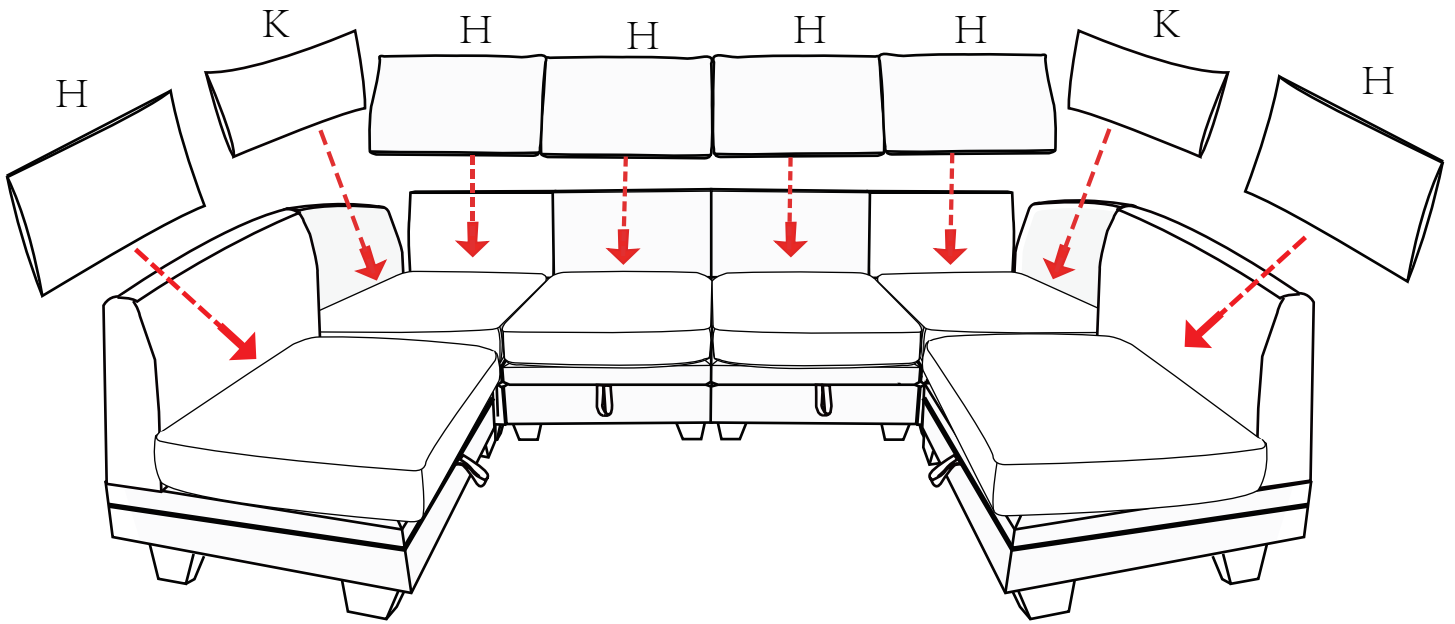
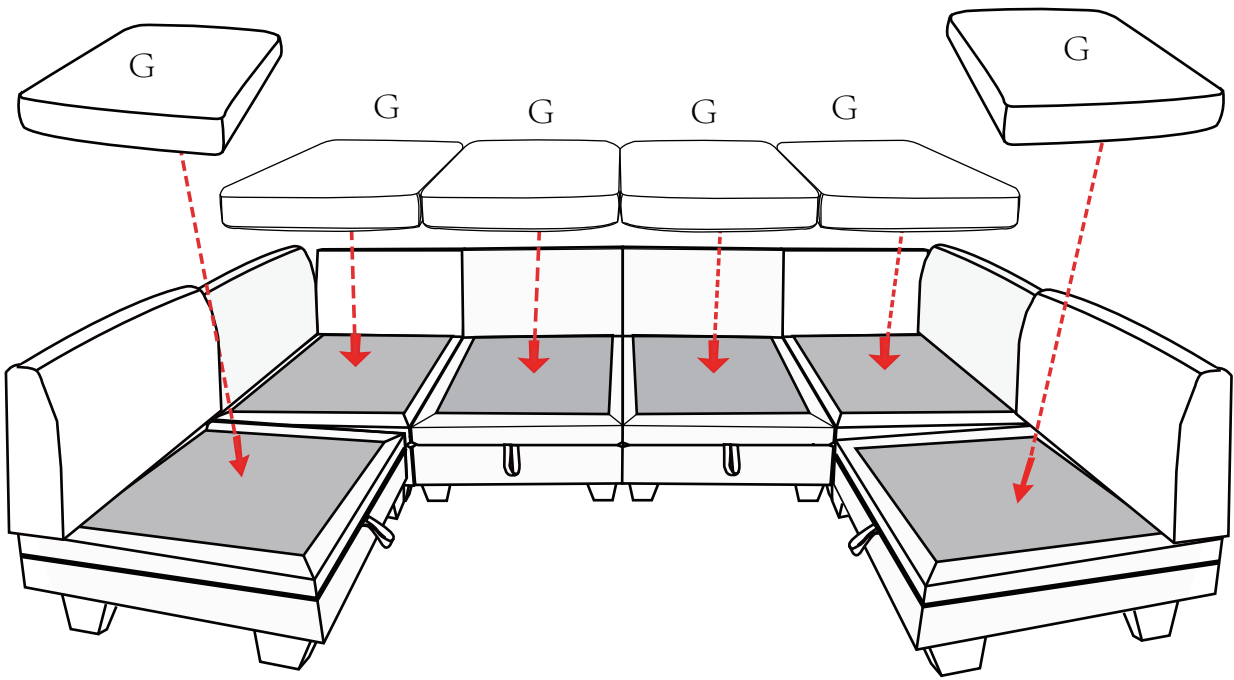




! Attention!

1. Insert only half of the hardware into the armrest frame or backrest frame box. Do not insert it completely.
2. Slightly press your fingers against the hardware to prevent it from falling out.
3. At an angle of about 45 degrees, first align the hardware with the empty space of the seat box.
4. After aligning the holes, hold it upright vertically down and press it in with both hands simultaneously.





Completed assembly

