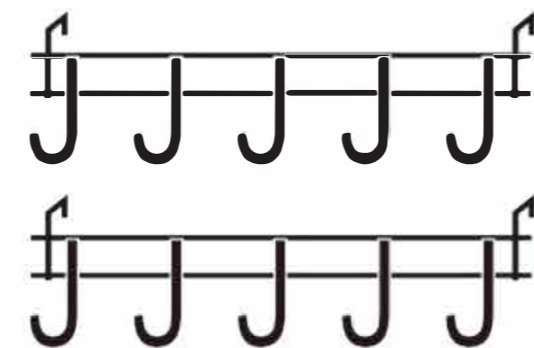
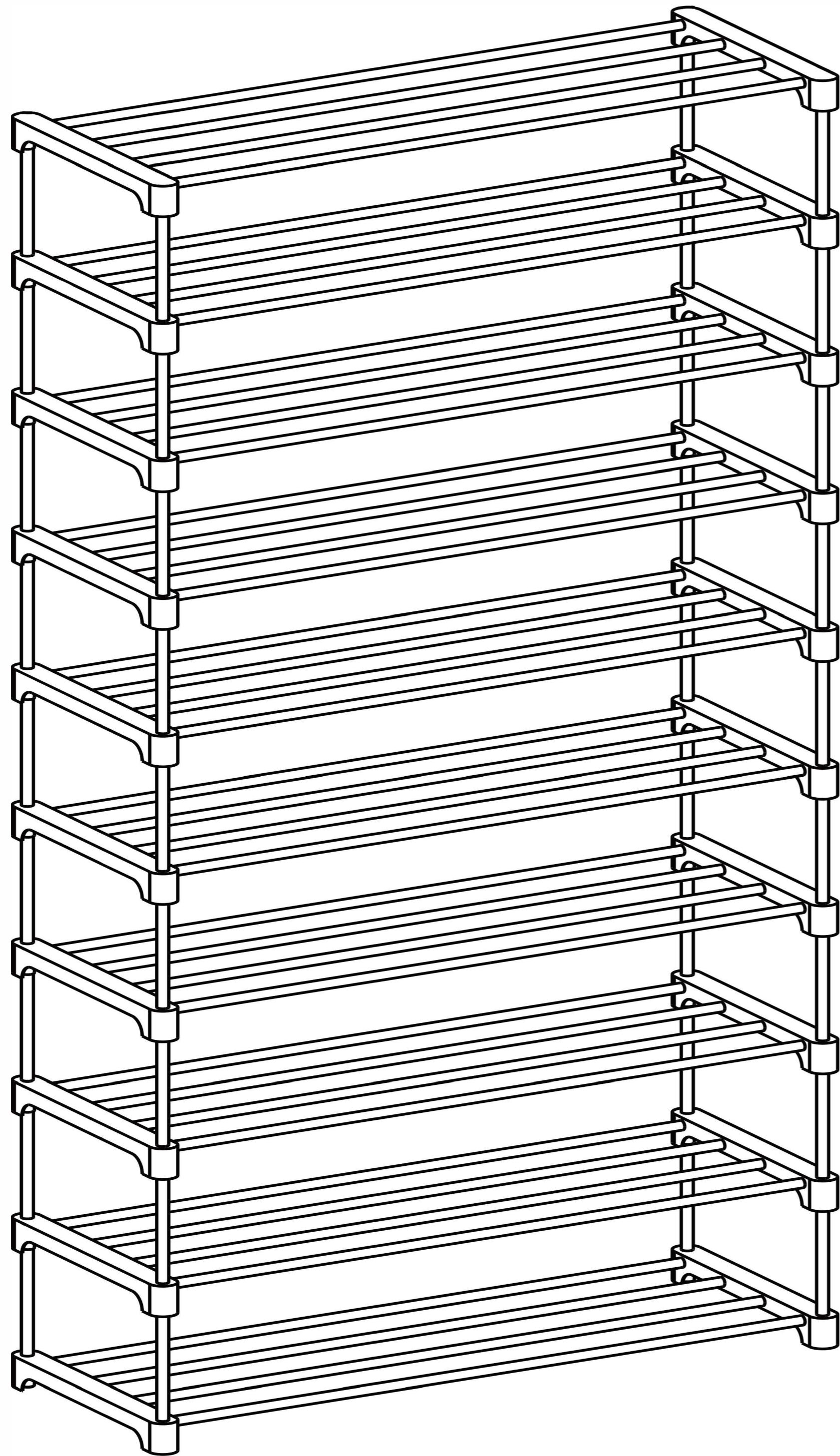


10-Tier
Metal Shone Rack



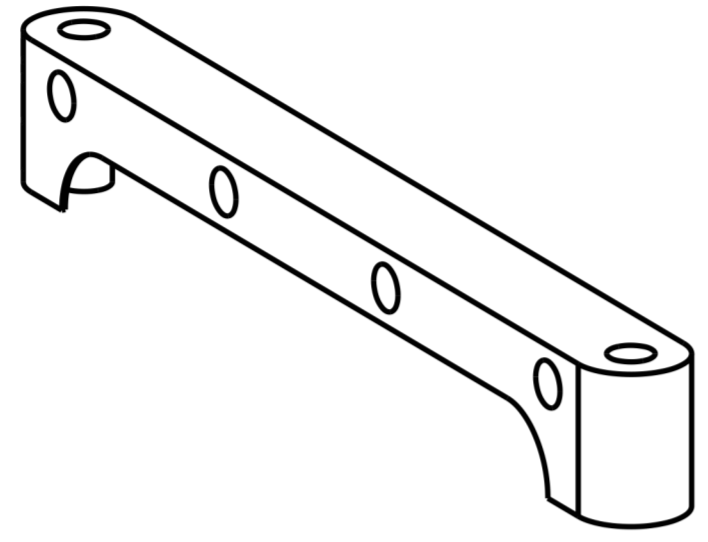
Assembly Tips :

1. Lay out all parts to ensure all parts are complete before assembling, if missing parts, please reach out for free replacement.
2. Do not touch the side cut surface of the steel pipe.
3. You can use the enclosed hammer to tap each joints to strengthen the firmness.



Packing List :

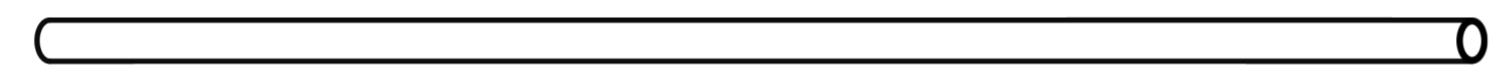
TE A × 20



TE D × 2

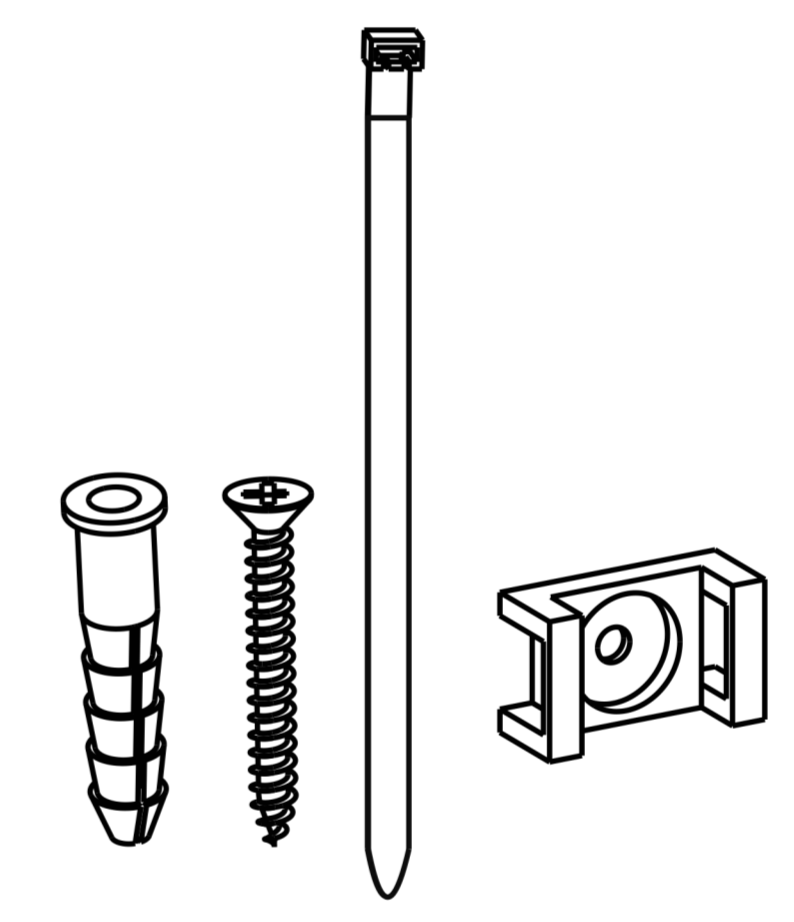


TE B × 40

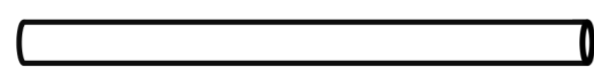


90 cm

TE E × 2

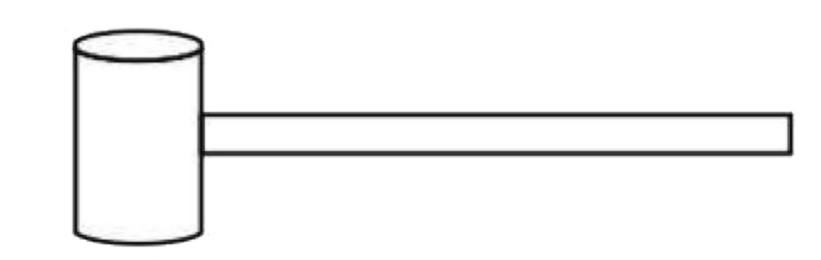
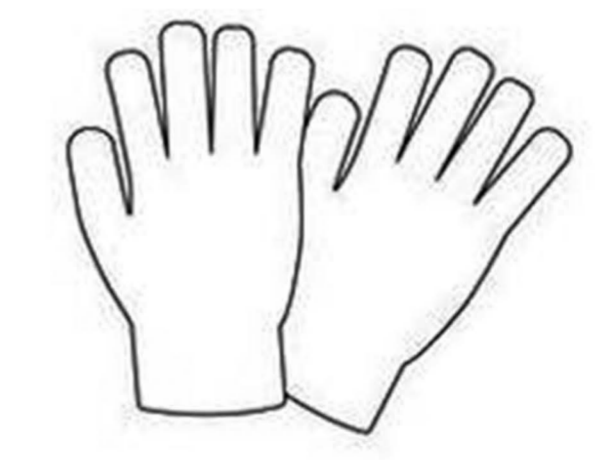


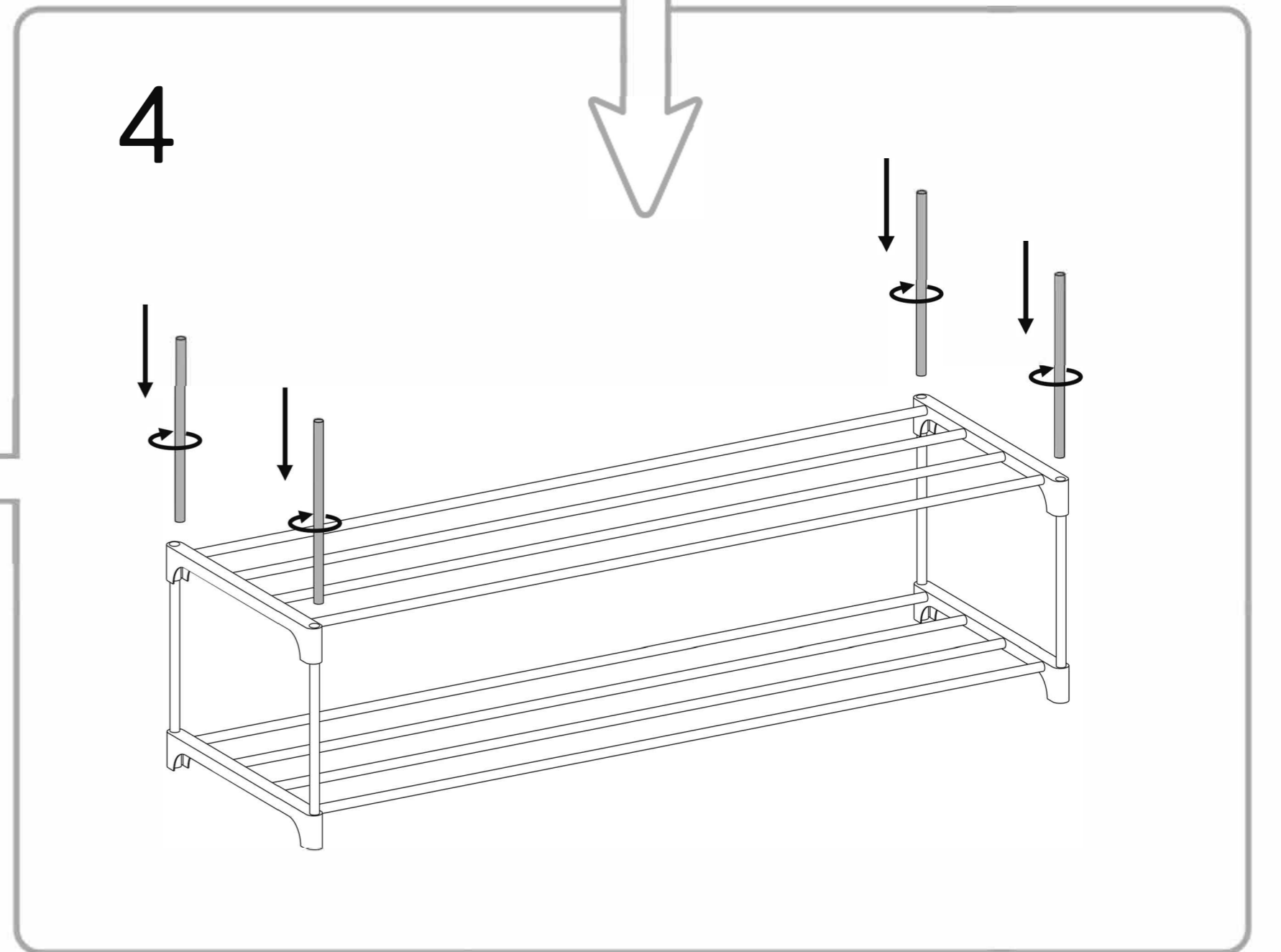
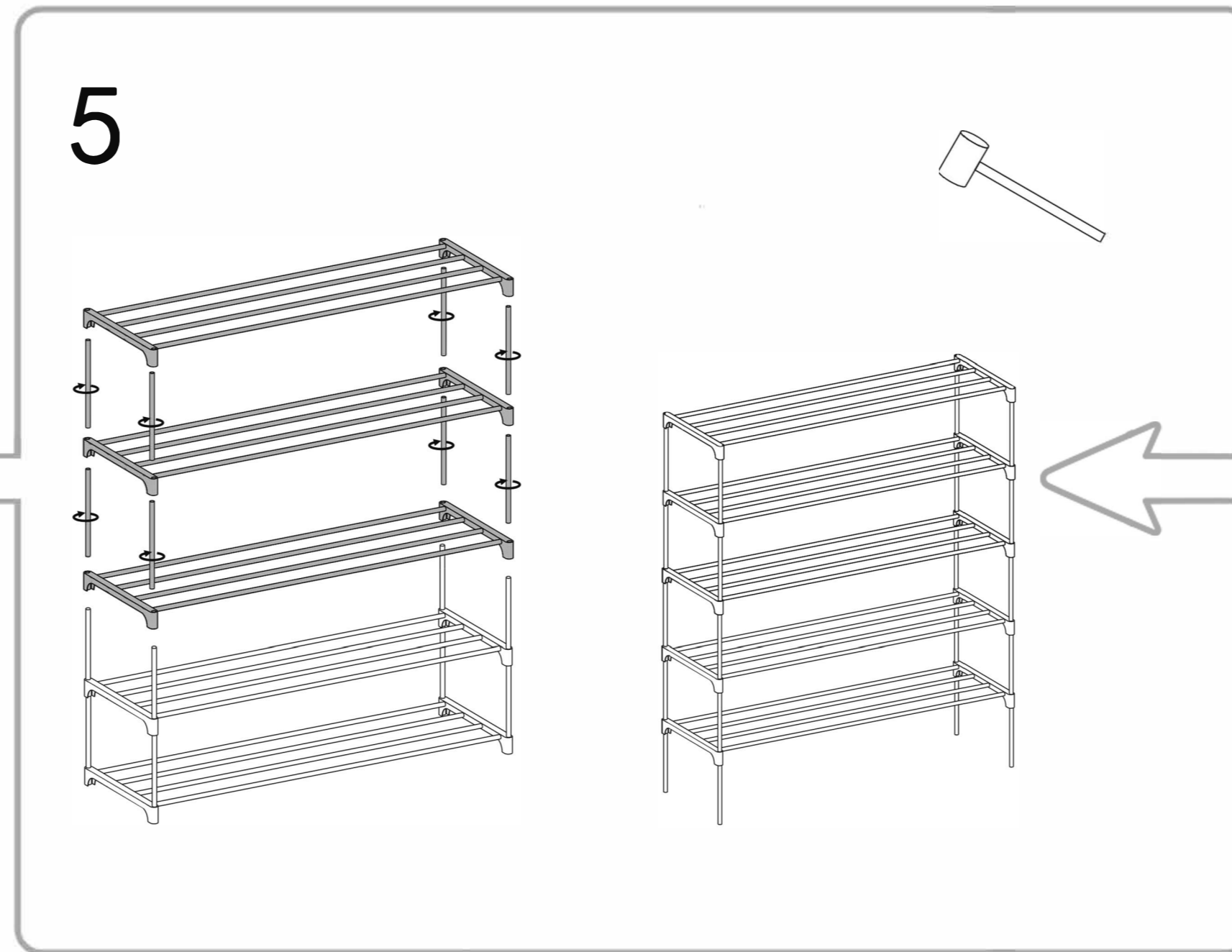
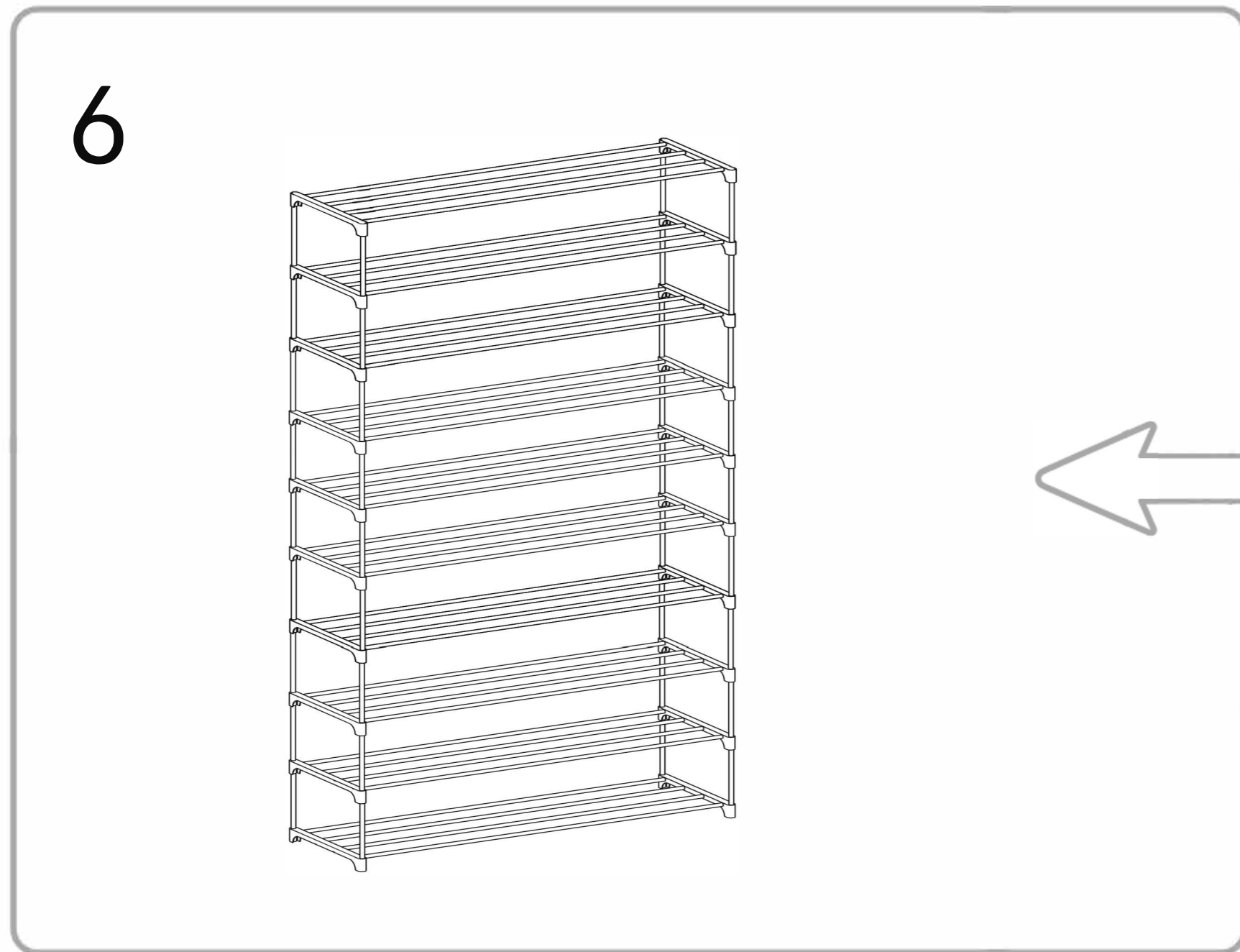
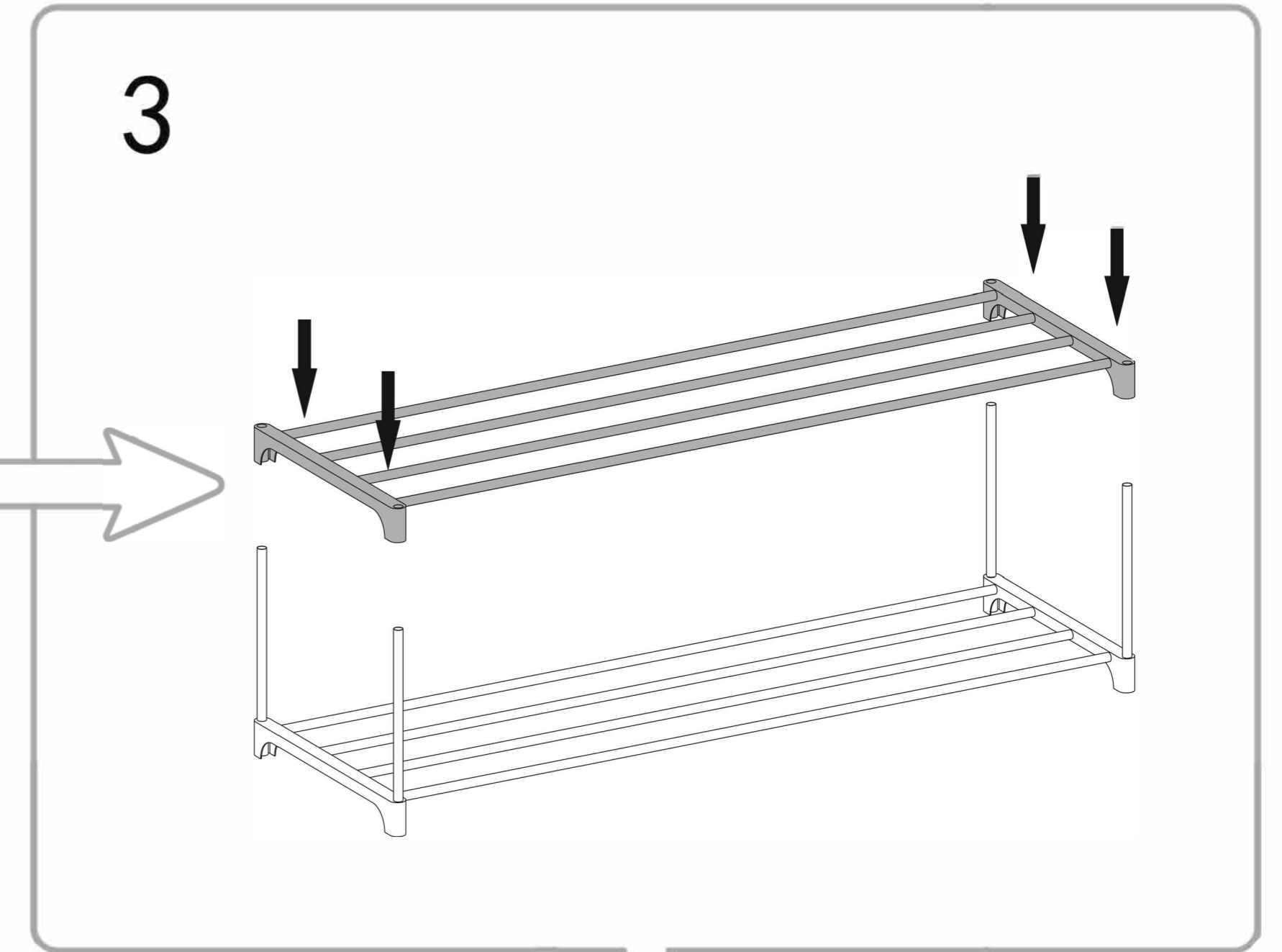
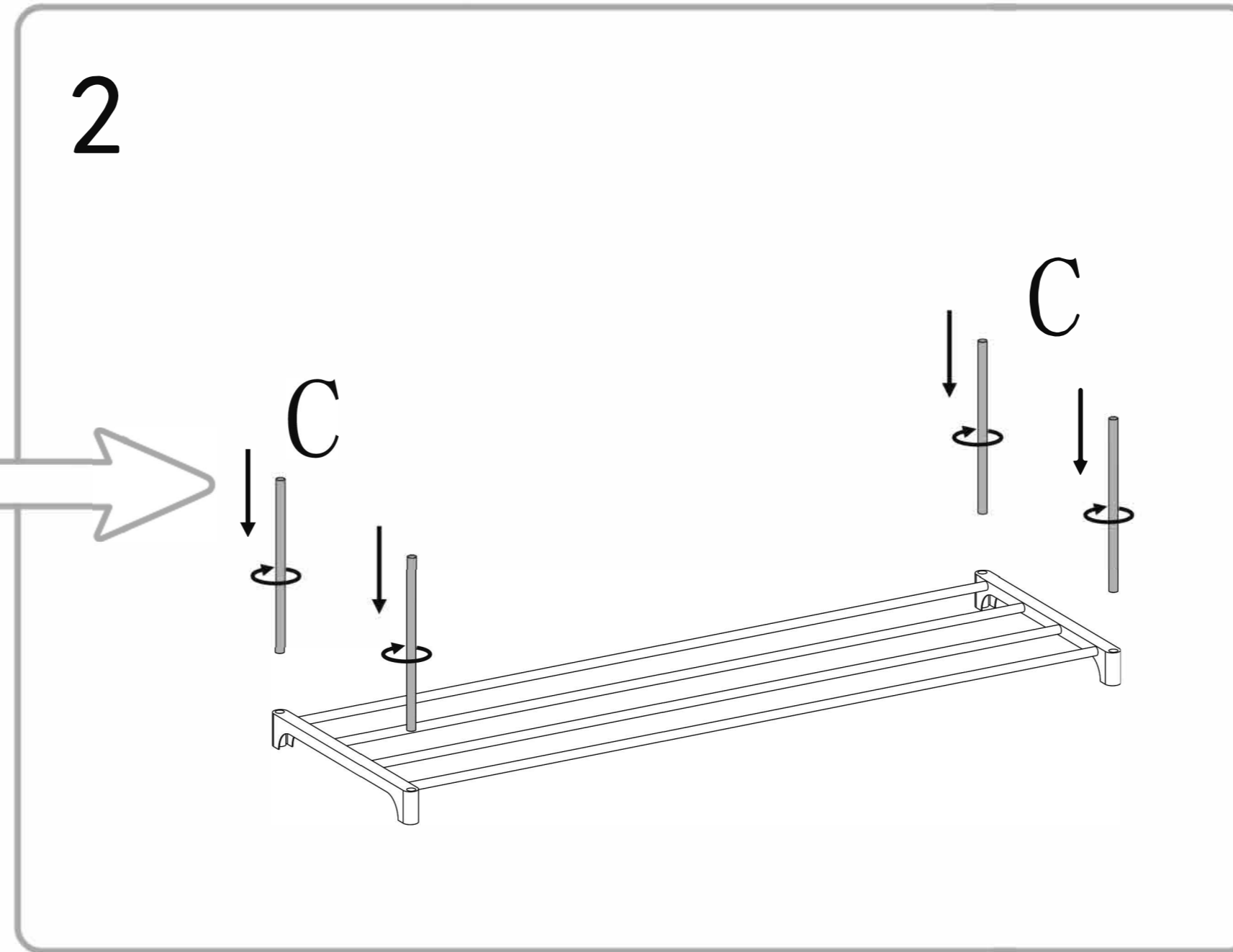
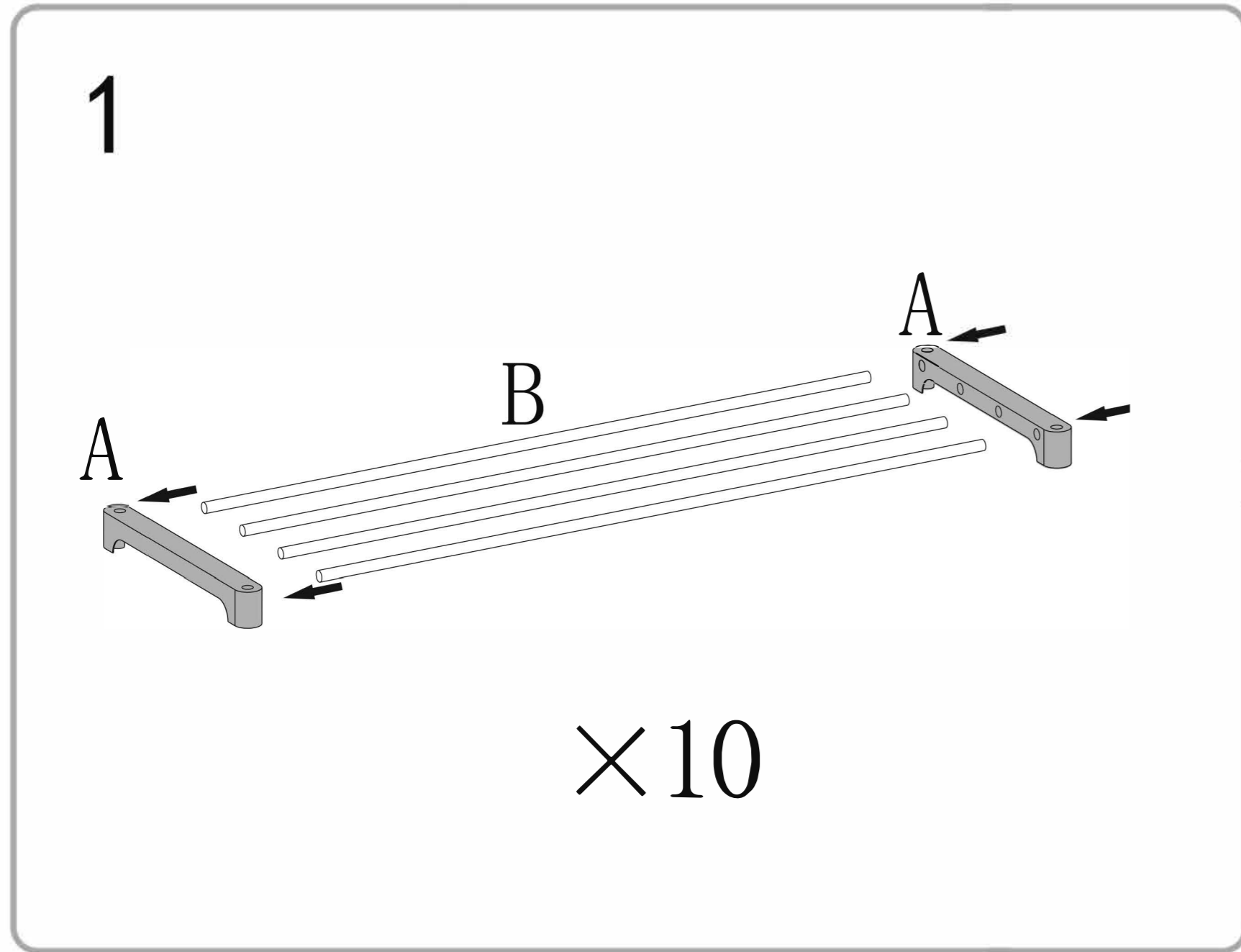
TE C × 37



20 cm

TE F × 1





DIY The Style:

