

Assembly Instructions

ITEM NO. D4128-10T
GWENDOLYN OVAL DINING TABLE TOP

ITEM NO. D4128-10B
GWENDOLYN OVAL DINING TABLE BASE


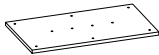

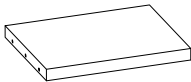
Thank you for purchasing this quality product. Be sure to check all packing materials carefully for small parts, which may have come loose inside the carton during shipment. Identify and count all items and compare with the PARTS LIST and/or HARDWARE LIST shown below.








Please read the instructions thoroughly before assembly.

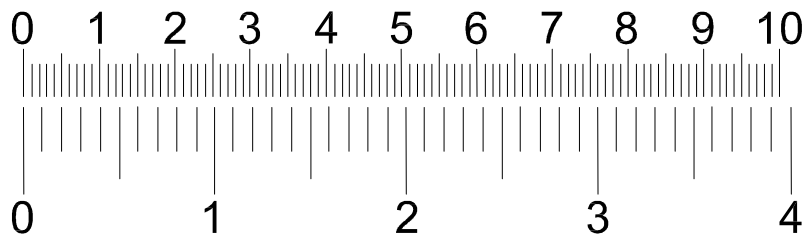
1. We recommend that you assemble this product with the assistance of another person; this will make the assembly easier, and will help eliminate damage to the product or injury to persons during assembly.
2. Please do not tighten screws or bolts until the assembly is completed.
3. To level the chairs or table, before tightening all the screws, the chairs or table must be placed on a flat surface and then tighten the screws.
4. Please put all parts on a non-abrasive floor before assembly and follow the assembly steps to assemble your newly purchased product correctly and efficiently.

PARTS LIST

NO.	COMPONENT	SKETCH	QTY
A	TABLE TOP		1 PC
B	MOUNTING PLATE		2 PCS
C	LEG		2 PCS
D	SHELF		1 PC

HARDWARE LIST

NO.	COMPONENT	SKETCH	QTY
1	FLAT WASHER 5/16" DIA.		26 PCS
2	SPRING WASHER 5/16" DIA.		26 PCS
3	LONG BOLT 5/16" x 2"		14 PCS
4	SHORT BOLT 5/16" x 1 3/8"		12 PCS
5	ALLEN KEY 5/32"		1 PC



Assembly Instructions

ITEM NO. D4128-10T

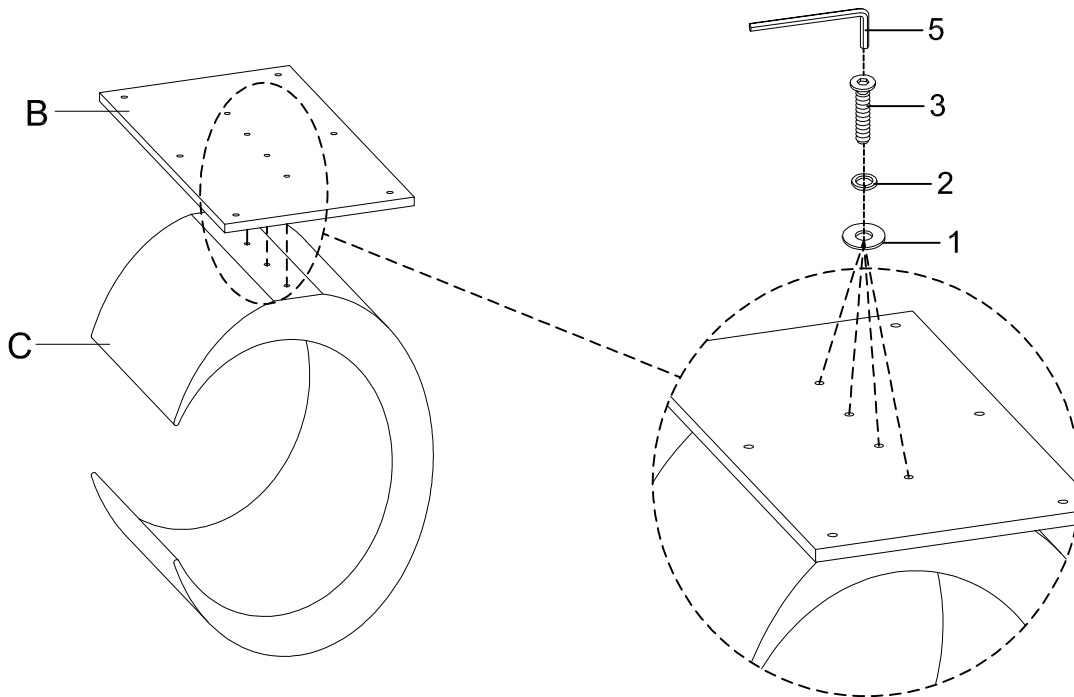
GWENDOLYN OVAL DINING TABLE TOP

ITEM NO. D4128-10B

GWENDOLYN OVAL DINING TABLE BASE

STEP 1

Assemble the mounting plate (B) to the leg (C) by using the Allen key (5) with hardware 1, 2, and 3.

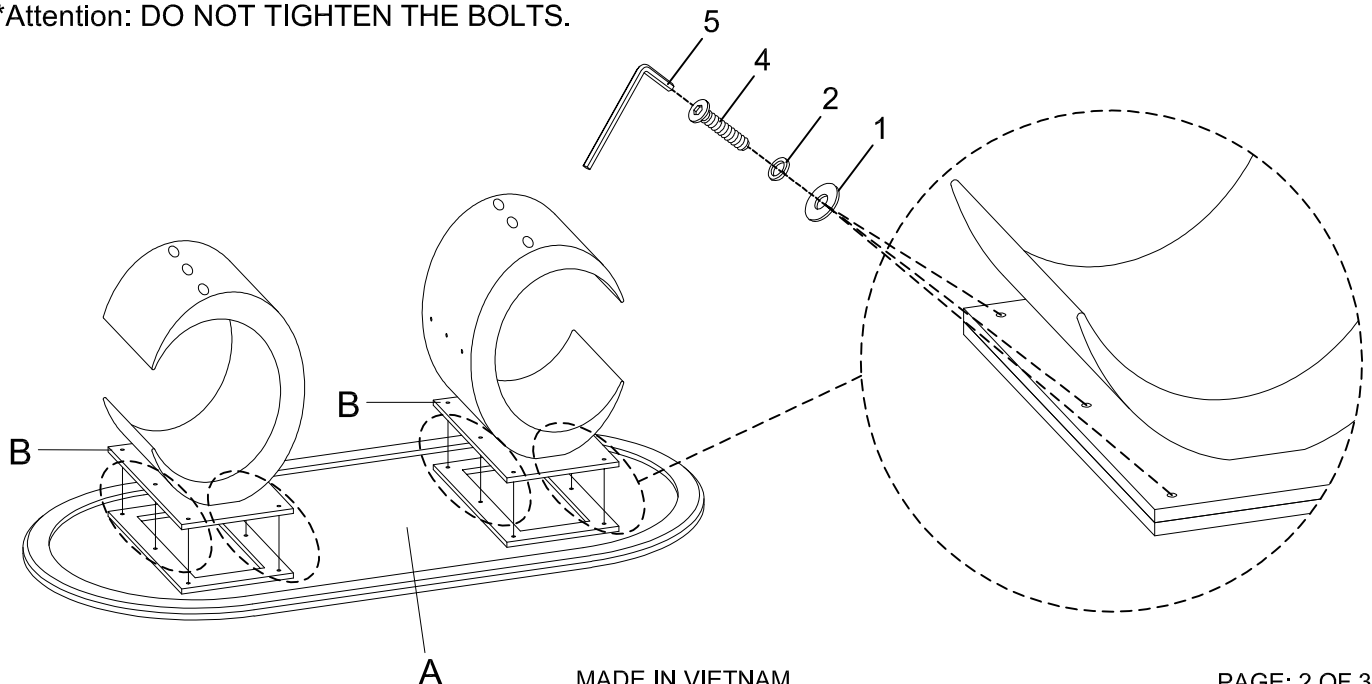


STEP 2

Place the table top (A) upside down on a flat and clean surface.

Assemble the mounting plate (B) to the table top (A) by using the Allen key (5) with hardware 1, 2, and 4.

*Attention: DO NOT TIGHTEN THE BOLTS.



Assembly Instructions

ITEM NO. D4128-10T

GWENDOLYN OVAL DINING TABLE TOP

ITEM NO. D4128-10B

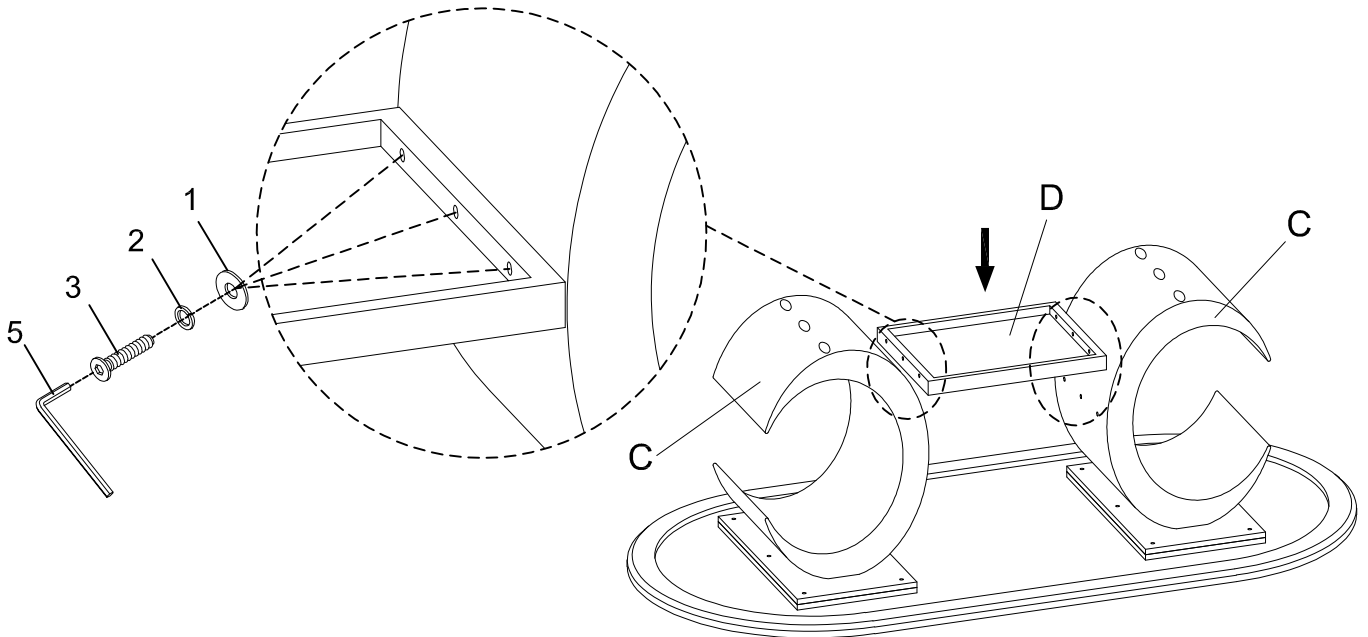
GWENDOLYN OVAL DINING TABLE BASE

STEP 3

Turn the shelf upside down and place the shelf (D) between the legs (C).

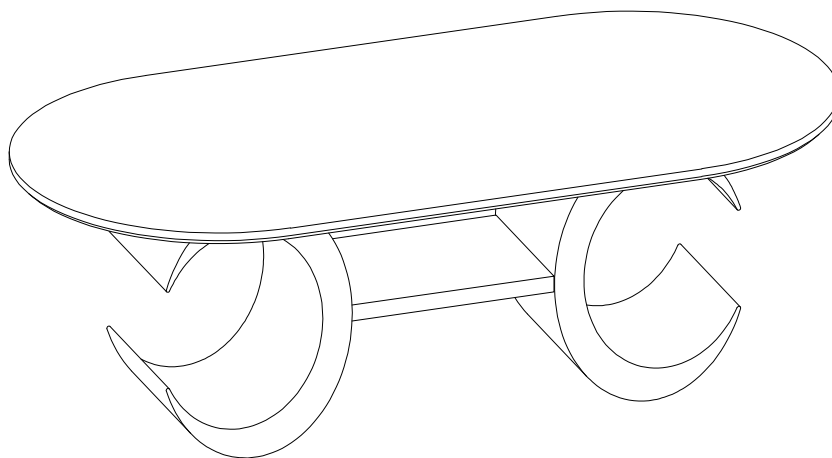
Assemble the shelf (D) to the legs (C) by using the Allen Key (5) with hardware 1, 2, and 3.

*Attention: TIGHTEN ALL THE BOLTS ON BOTH THE SHELF AND MOUNTING PLATES.



STEP 4

Complete



Assembly Instructions

ITEM NO. D4128-20

GWENDOLYN DINING SIDE CHAIR (2 PER CARTON)







Thank you for purchasing this quality product. Be sure to check all packing materials carefully for small parts, which may have come loose inside the carton during shipment. Identify and count all items and compare with the PARTS LIST and/or HARDWARE LIST shown below.



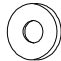





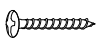
Please read the instructions thoroughly before assembly.

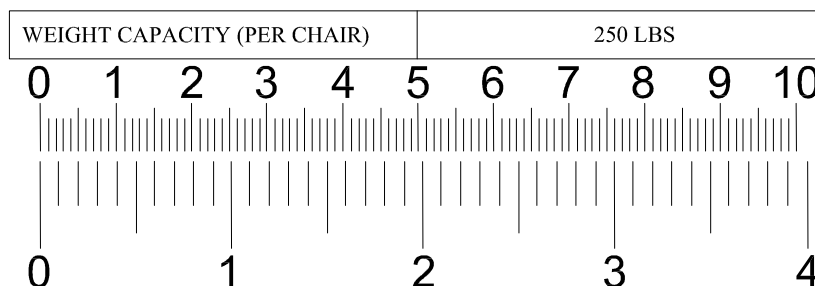
1. We recommend that you assemble this product with the assistance of another person; this will make the assembly easier, and will help eliminate damage to the product or injury to persons during assembly.
2. Please do not tighten screws or bolts until the assembly is completed.
3. To level the chairs or table, before tightening all the screws, the chairs or table must be placed on a flat surface and then tighten the screws.
4. Please put all parts on a non-abrasive floor before assembly and follow the assembly steps to assemble your newly purchased product correctly and efficiently.

PARTS LIST

NO.	COMPONENT	SKETCH	QTY
A	CHAIR BACK		2PCS
B	SEAT		2PCS
C	LEFT SIDE FACING (LSF) LEG		2PCS
D	RIGHT SIDE FACING (RSF) LEG		2PCS
E	LEFT SIDE FACING (LSF) STRETCHER		2PCS
F	RIGHT SIDE FACING (RSF) STRETCHER		2PCS

HARDWARE LIST

NO.	COMPONENT	SKETCH	QTY
1	FLAT WASHER 5/16" DIA.		20 PCS
2	SPRING WASHER 5/16" DIA.		20 PCS
3	SHORT BOLT 5/16" x 1 1/2"		4 PCS
4	MEDIUM BOLT 5/16" x 2 3/8"		8 PCS
5	LONG BOLT 5/16" x 3"		8 PCS
6	ALLEN KEY 5/32"		1 PC
7	WOOD SCREW #8 x 1 1/2"		8 PCS



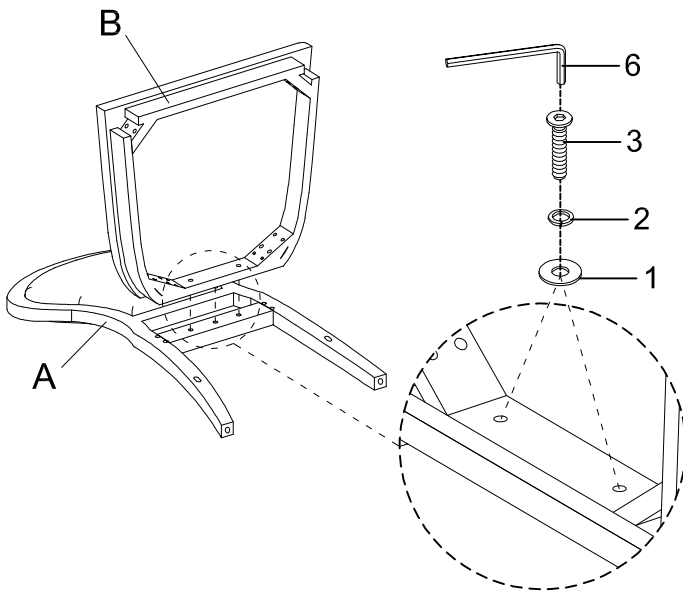
Assembly Instructions

ITEM NO. D4128-20

GWENDOLYN DINING SIDE CHAIR (2 PER CARTON)

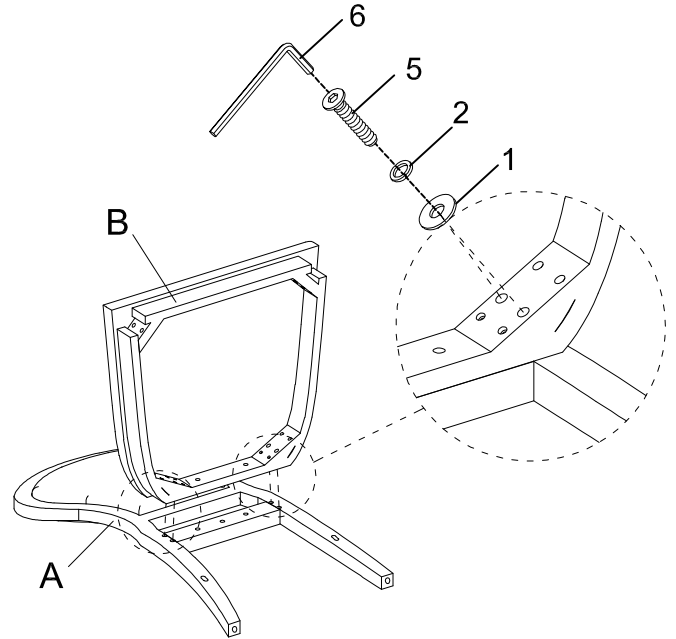
STEP 1

Place the chair back (A) on a soft and clean surface. Assemble the seat (B) with the chair back (A) by using Allen key (6) with hardware 1,2, and 3.
*Attention: DO NOT TIGHTEN THE BOLTS.



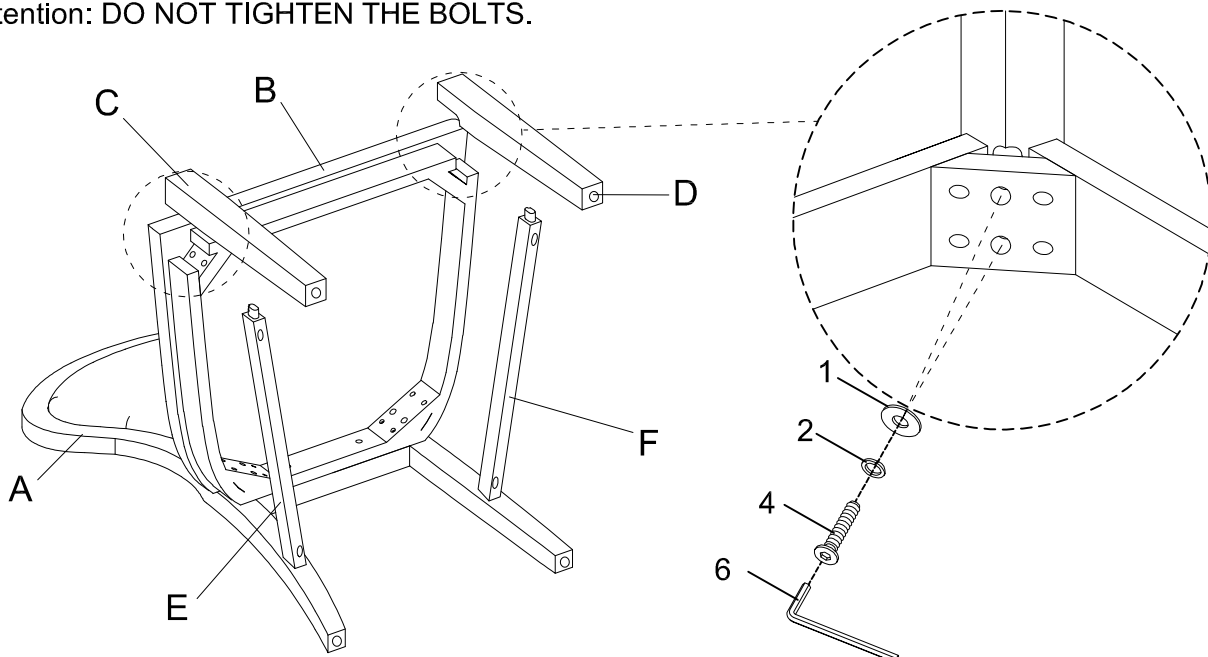
STEP 2

Assemble the seat (B) with the back legs of the chair back (A) by using the Allen key (6) with hardware 1,2, and 5.
*Attention: DO NOT TIGHTEN THE BOLTS.



STEP 3

Place LSF STRETCHER (E) and between backrest (A) and LSF LEG (C), then place RSF STRETCHER (F) between backrest (A) and RSF LEG (D). Assemble the legs (C & D) with the seat (B) by using Allen key (6) with hardware 1,2, and 4.
*Attention: DO NOT TIGHTEN THE BOLTS.



Assembly Instructions

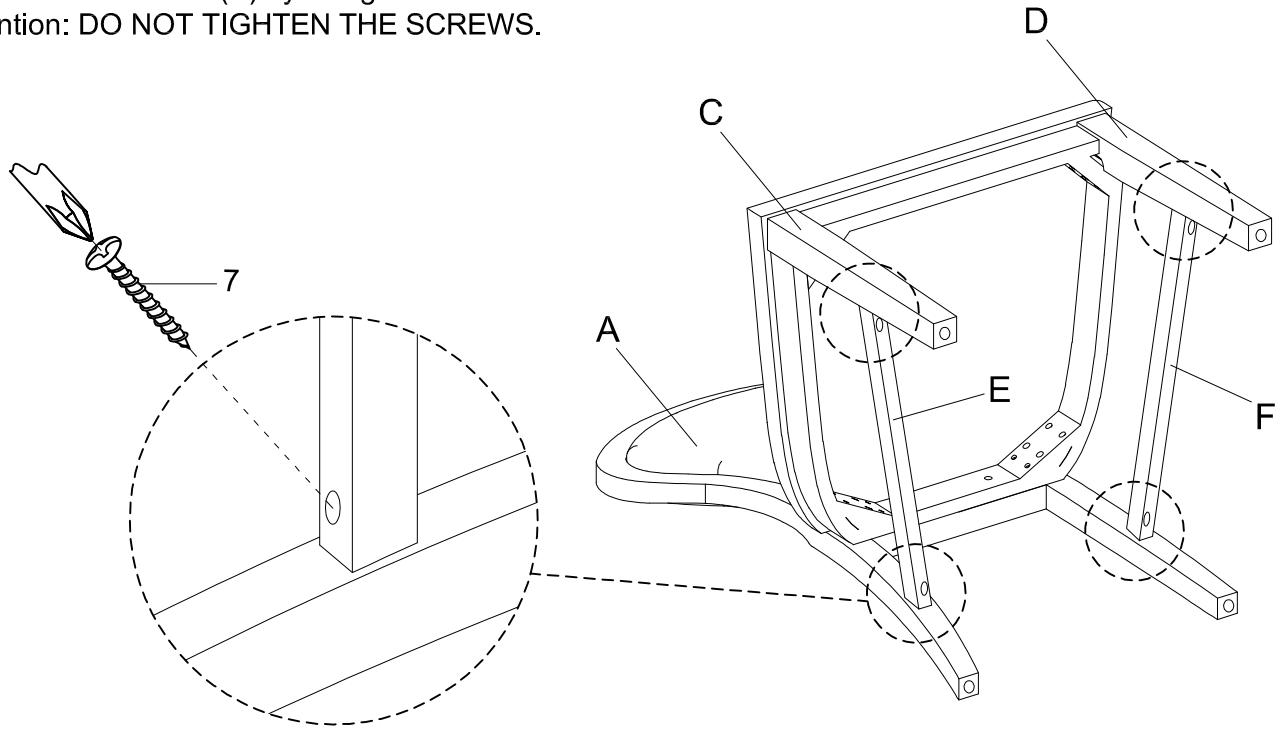
ITEM NO. D4128-20

GWENDOLYN DINING SIDE CHAIR (2 PER CARTON)

STEP 4

Assemble the LSF STRETCHER (E) and RSF STRETCHER (F) to the front legs (C & D) and the back legs of the chair back (A) by using a screwdriver with hardware 7.

*Attention: DO NOT TIGHTEN THE SCREWS.



STEP 5

To level the chair, stand the chair up on a flat surface and tighten all the bolts by using the Allen key (6) and tighten the screws by using a screwdriver.

