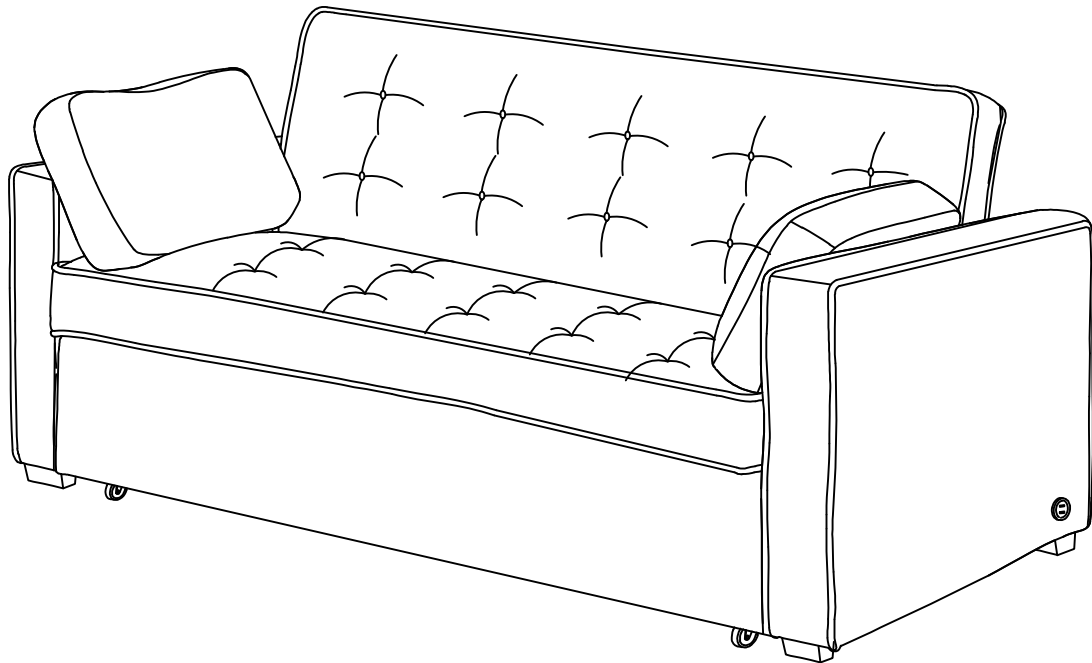


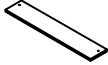
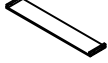













ASSEMBLY INSTRUCTION



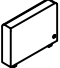
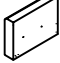
COMPONENT LIST




NO.	DRAWING	QTY	DESCRIPTION
A		2	Pillows
B		1	Loveseat Body
C		1	Drawer Panel
D		1	Back Panel
E		2	L Pads
F		4	Square Leg
G		16	Bolt 5/16"X50mm
H		3	Bolt 5/16"X35mm
I		24	Bolt 1/4"X20mm
J		1	Allen Key
K		8	Wheels
L		2	L Pads
M		11	Flat washer Ø6



COMPONENT LIST

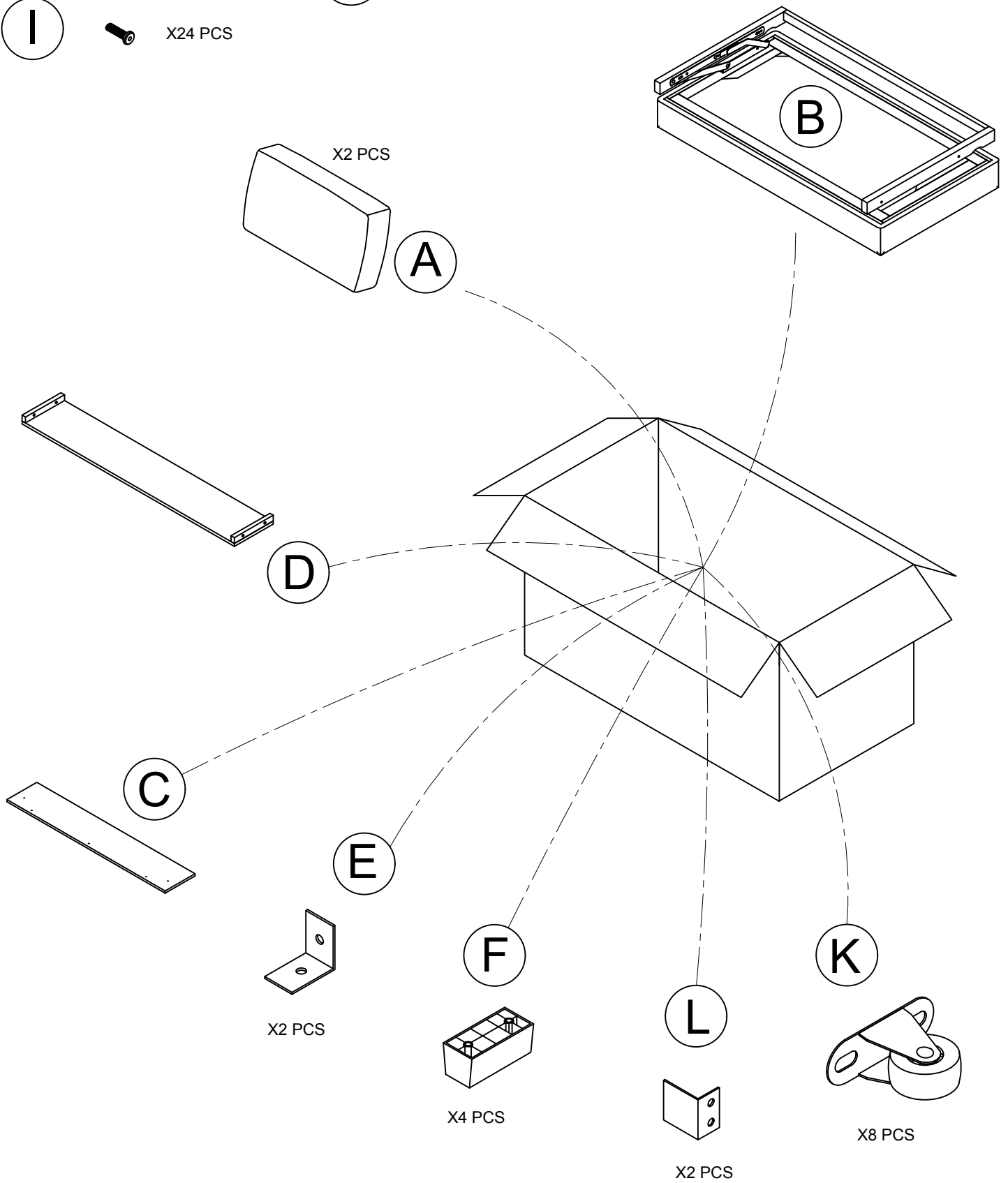
N		1	Back Cushion
O		1	Long Seat Cushion

COMPONENT LIST

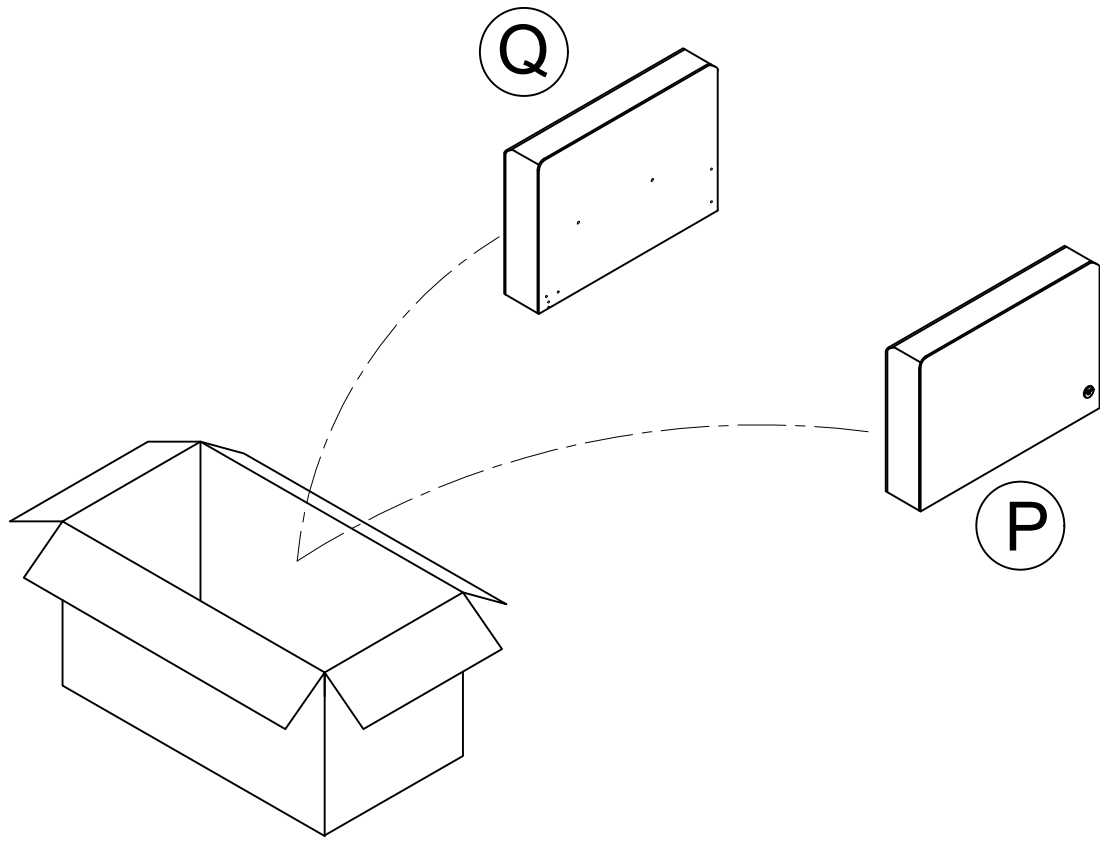
NO.	DRAWING	QTY	DESCRIPTION
P		1	Right Armrest
Q		1	Left Armrest

- (G)**  X16 PCS
- (H)**  X3 PCS
- (I)**  X24 PCS

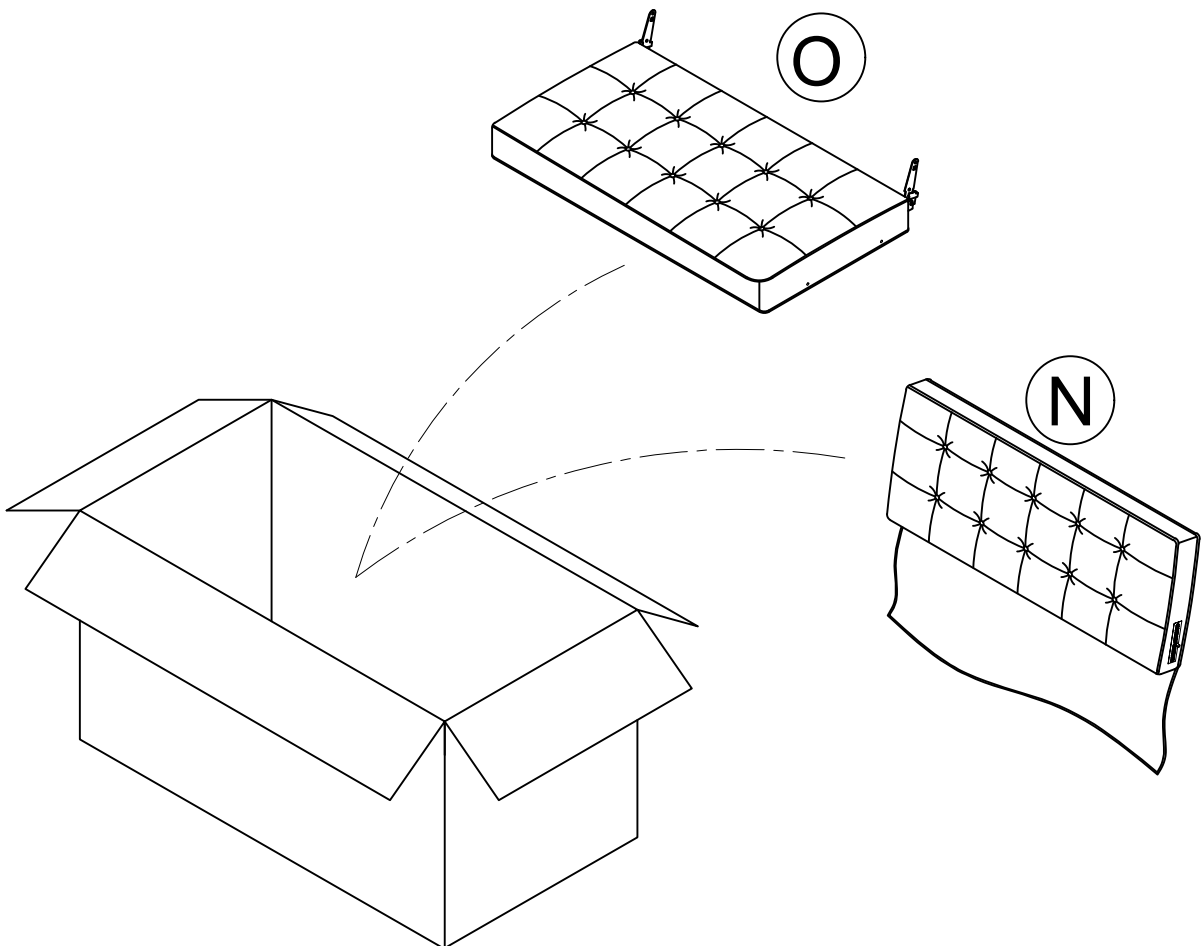
- (M)**  X11 PCS
- (J)**  X 1 PC



*** Take out the (A), (B), (C), (D), (E), (F), (K), (L), (G), (H), (I), (J), (M)**

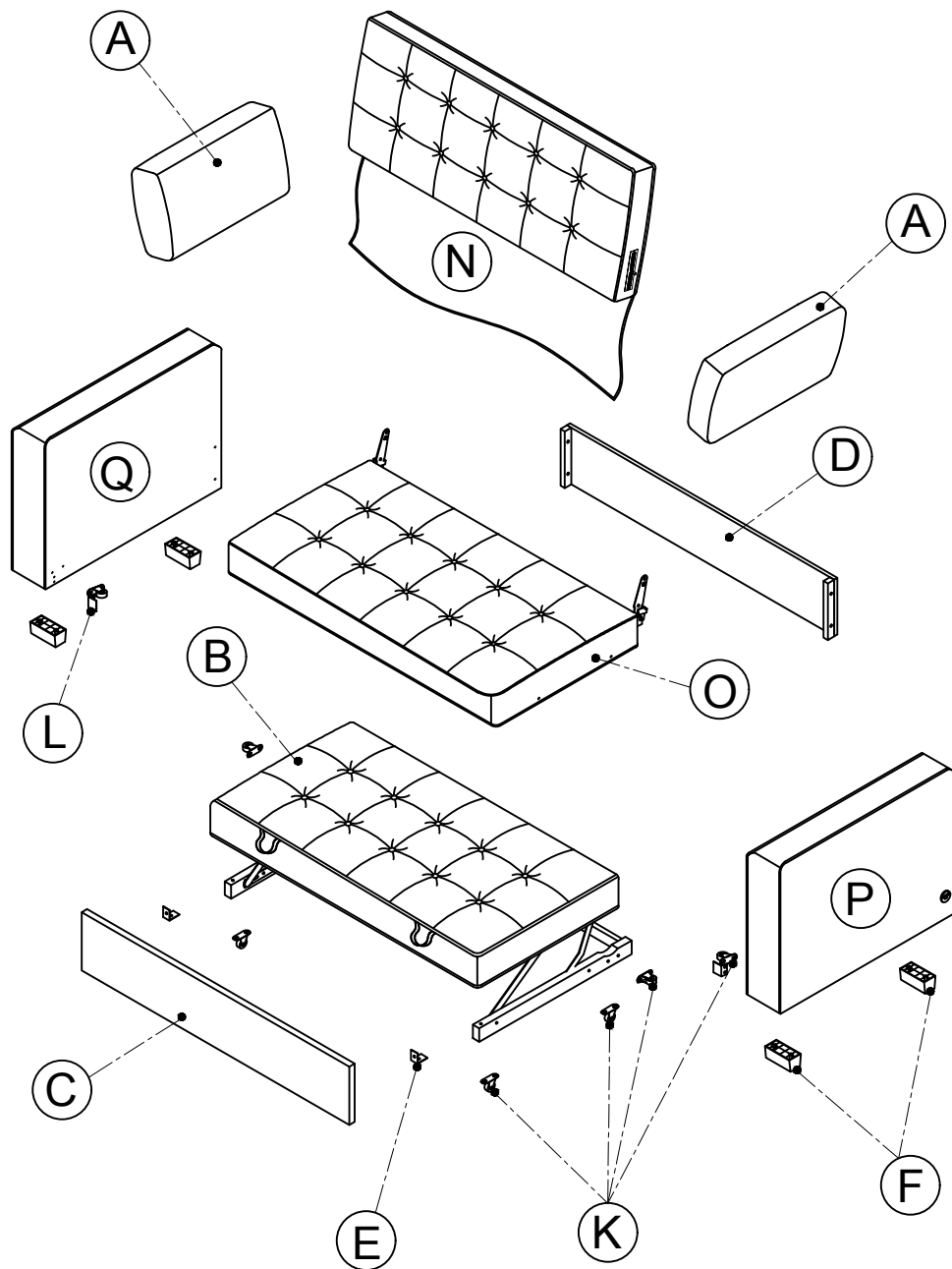


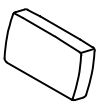
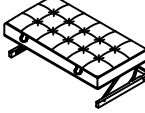
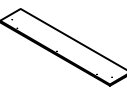
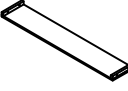

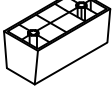

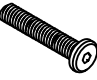



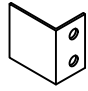

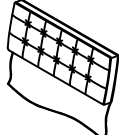
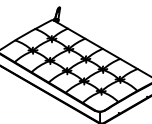
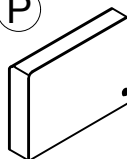
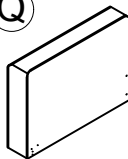
*** Take out the Q, P**



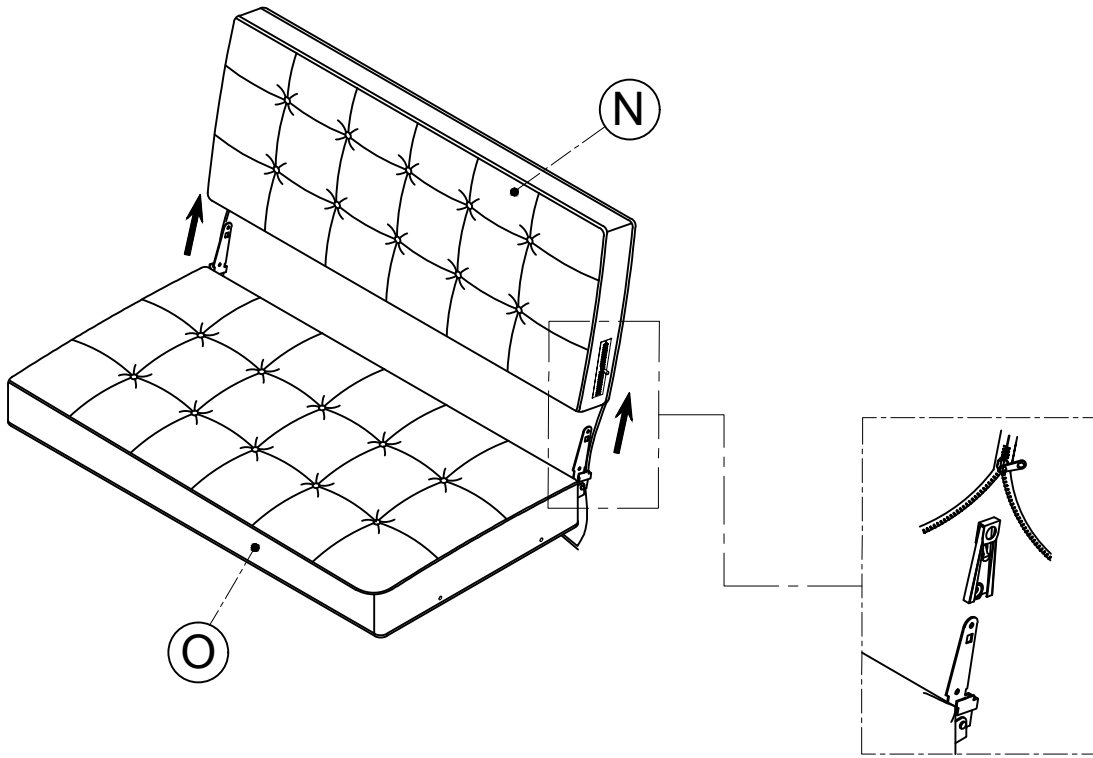
*** Take out the O, N**

PARTS LIST

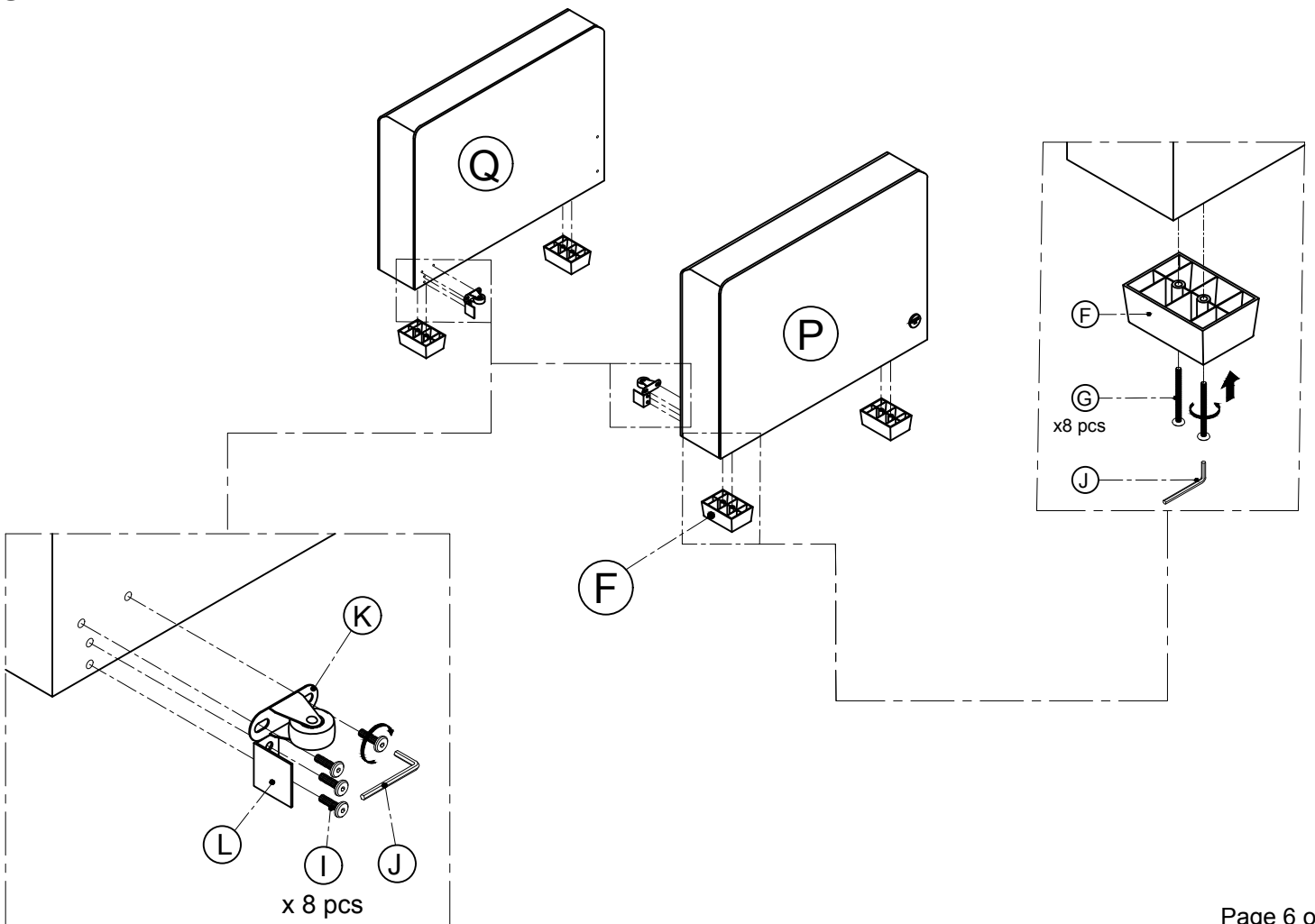


								
<p>Pillows x 2 pcs</p>	<p>Loveseat Body x 1 pc</p>	<p>Drawer Panel x 1 pc</p>	<p>Back Panel x 1 pc</p>	<p>L Pads x 2 pcs</p>	<p>Square Leg x 4 pcs</p>	<p>Bolt 5/16\" data-bbox="675 845 770 870"/> </p>	<p>Bolt 5/16\" data-bbox="785 845 880 870"/> </p>	<p>Bolt 1/4\" data-bbox="895 845 990 870"/> </p>
								
<p>Allen Key x 1 pc</p>	<p>Wheels x 8 pcs</p>	<p>L Pads x 2 pcs</p>	<p>Flat washer Ø6 x 11 pcs</p>	<p>Back Cushion x 1 pc</p>	<p>Long Seat Cushion x 1 pc</p>	<p>Right Armrest x 1 pc</p>	<p>Left Armrest x 1 pc</p>	<p>Page 5 of 10</p>

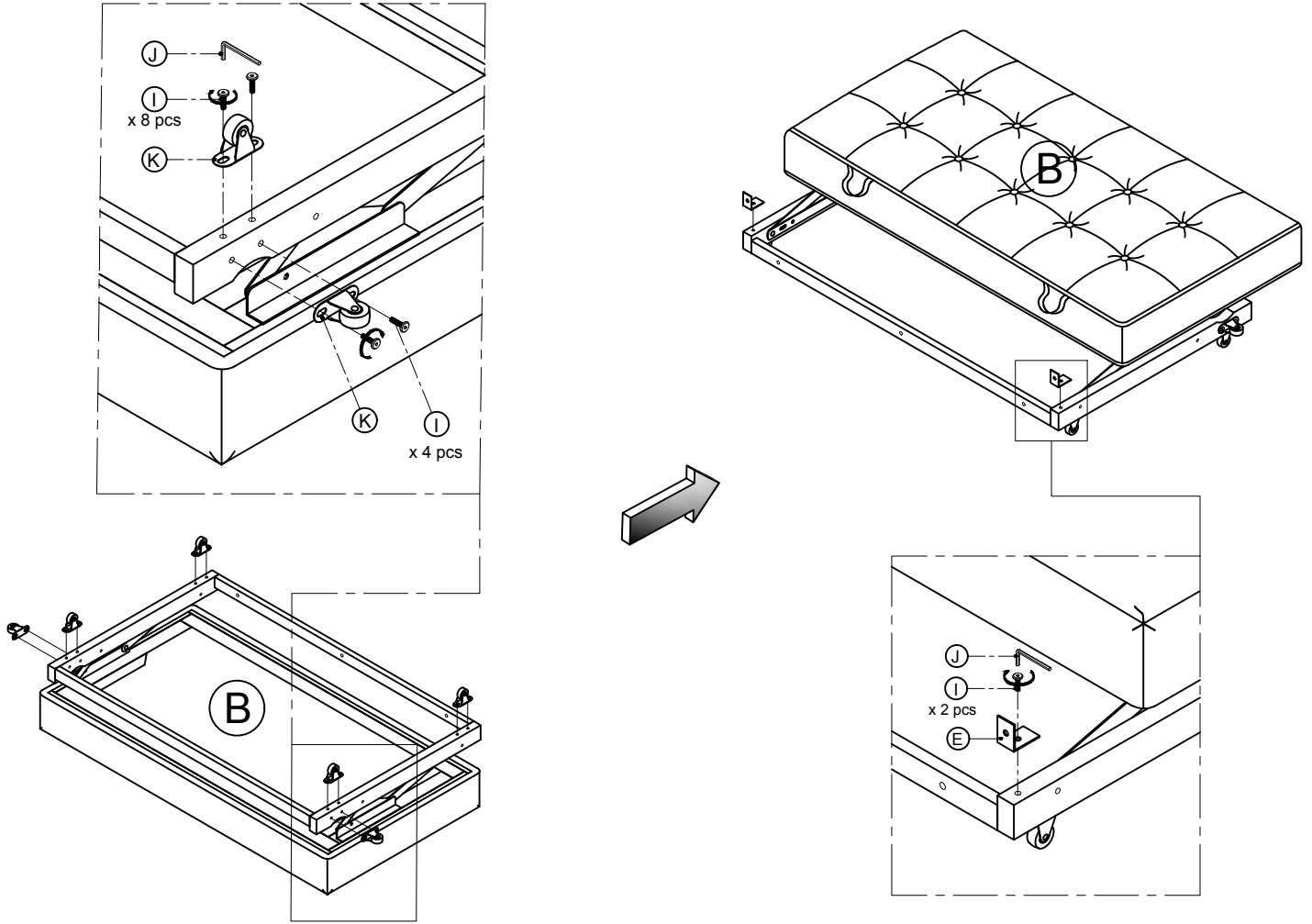
STEP 1:



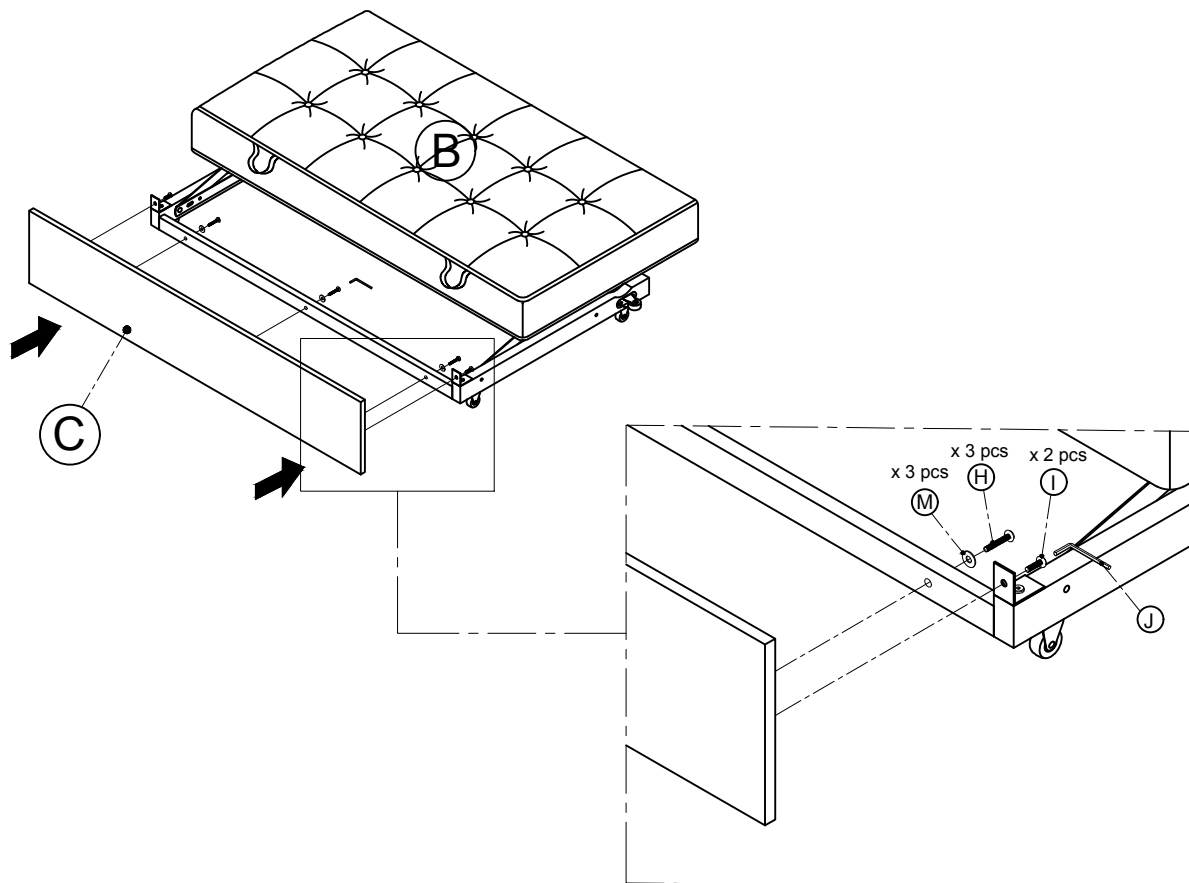
STEP 2:



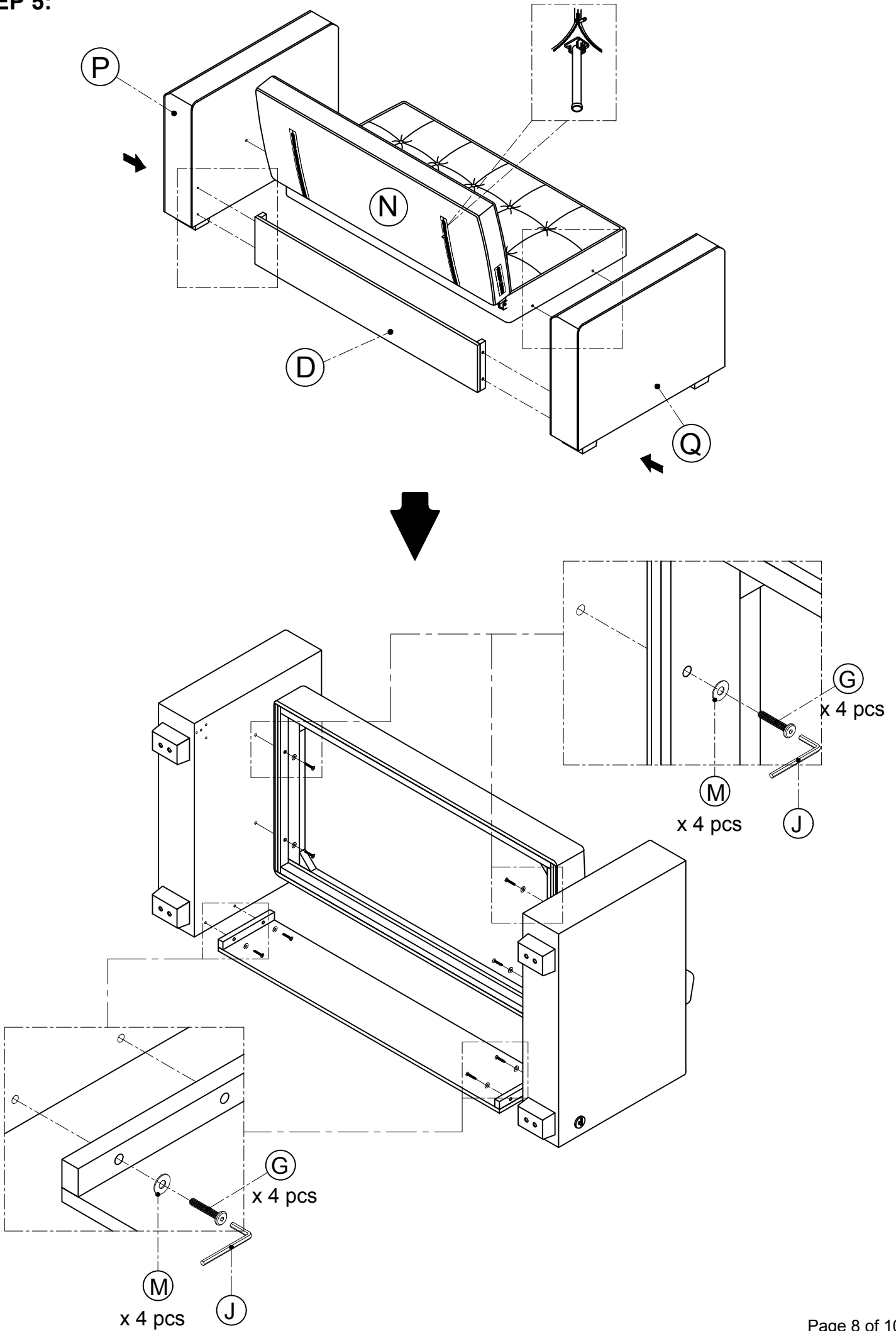
STEP 3:



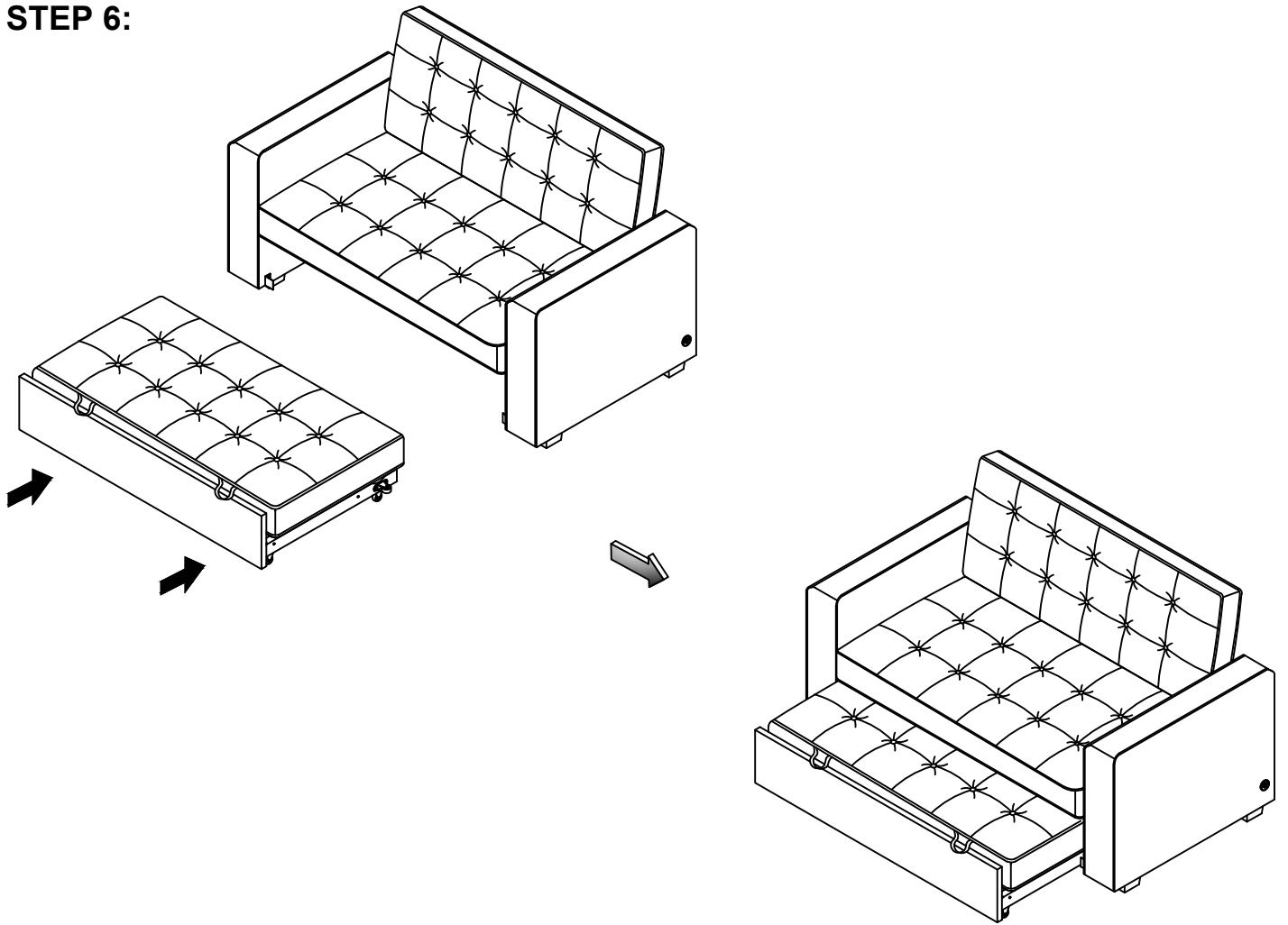
STEP 4:



STEP 5:



STEP 6:



Helpful Hints

- Sofa bed can transform into a sleeper
- Move your new furniture carefully, with two people lifting and carrying the unit to its new location.
- Your furniture can be disassembled and reassembled to move.
- Clean the product with a soft damp cloth. DO NOT use harsh chemicals or abrasive cleaners.

COMPLETED

