

Hanging Bracket*1



Cleat*2



LED Bathroom Mirror



Instruction Manua



SAFETY INSTRUCTIONS

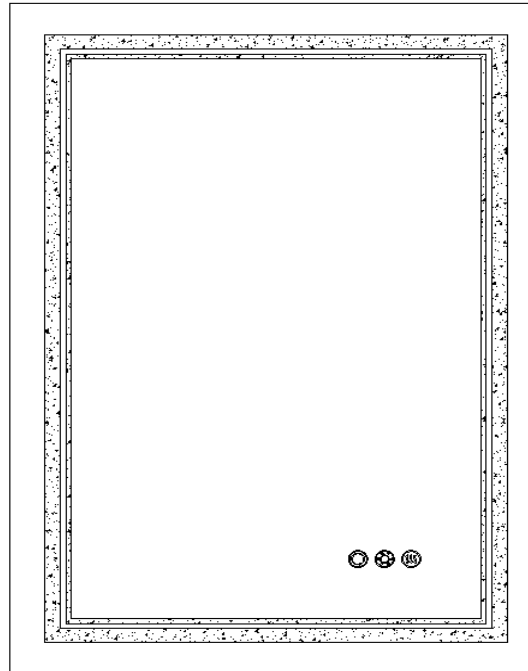
- ① Please read the instructions carefully before using.
- ① Do not disassemble or refit the products.
- ① Press touch sensor button properly.
- ① Handle with care during installation or moving.
- ① Keep the mirror dry moisture reduces the sensitivity of the product.
- ① Turn off the power before cleaning. The surface of the mirror should be cleaned with glass cleaner, please make sure the mirror is completely dry before using.
- ① Turn off the power and avoid direct sunlight if not used or stored for a long time, keep it away from children.
- ① Do not approach or put the product into the fire in case of fire or explosion.
- ① Stop using it immediately if abnormal condition occurs.

Made in China

INSTRUCTION

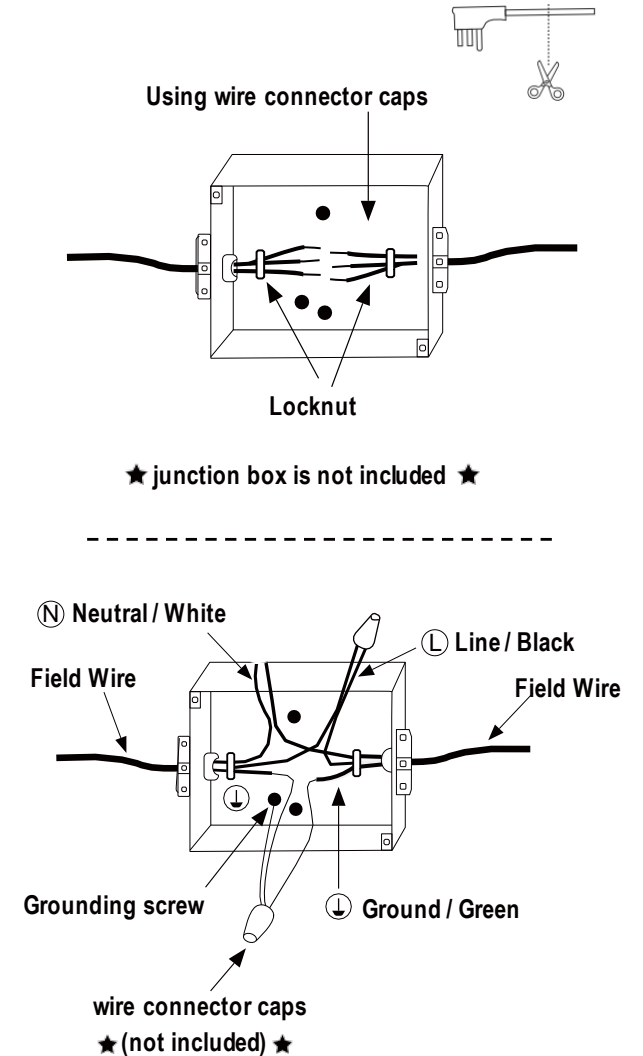
WALL-MOUNTED LED BATHROOM MIRROR

OPERATIONS MANUAL



HOW TO CONNECT THE WIRES

BLACK WIRE--- POWER SUPPLY L (LINE)
 WHITE WIRE --- POWER SUPPLY N (NEUTRAL)
 GREEN WIRE--- POWER SUPPLY G (GROUND)



ASSEMBLY & INSTALLATION INSTRUCTIONS

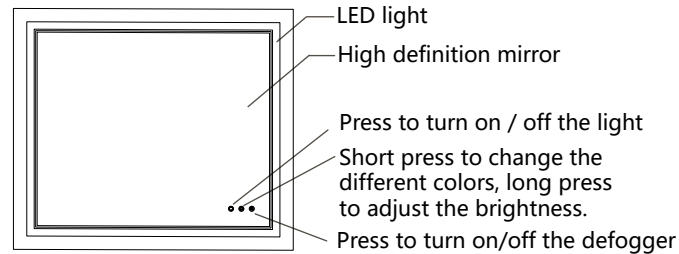
Dear Customer:

Thank you for choosing us! We appreciate your business. Should you have any questions or encounter any issues, please don't hesitate to contact us. You can reach us via email at support@lightingcare.us. Our team is dedicated to ensuring your complete satisfaction with your purchase. We value your feedback, as it helps future customers in making informed decisions. We encourage you to share your experience by leaving a brief product review on the platform where you made the purchase. Once again, thank you for choosing us!
Best regards!
[Support Team]

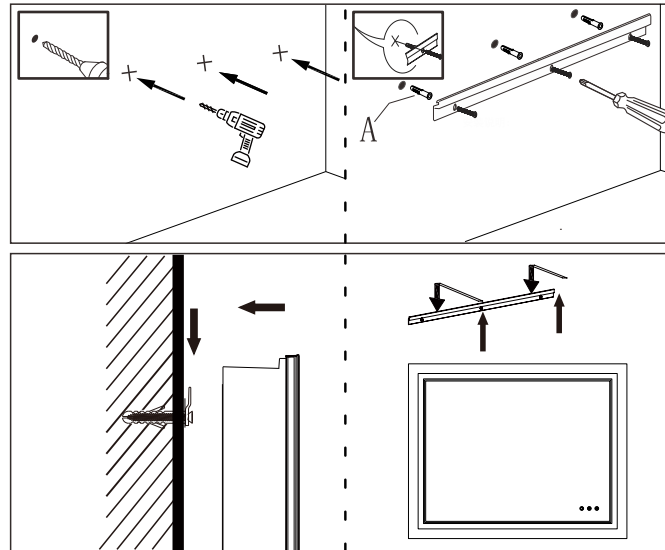
Warning: If any special control devices are used with this fixture, follow the instructions carefully to assure full compliance with N.E.C. requirements. If there are any questions, contact a qualified electrical contractor.

Caution: It is highly recommended to get an electrician to install this light. Please make sure to turn the electricity off at the main circuit breaker before beginning installation. All glass is fragile. Use care when handling glass component(s) and/or lamp(s).

ILLUSTRATION



INSTALLATION METHOD



- ① Measure the distance of the aluminum strip behind the mirror with a tape measure.
- ② Mark at the determined installation positions and draw an auxiliary line with a pencil.
- ③ Drill holes at installation positions with an electric drill.
- ④ Hammer the expanded plastic material into the holes.
- ⑤ Take out the metal hanging piece and use a screwdriver to fix the hanging pieces on the wall with screws.
- ⑥ Point the aluminum strip at the metal pieces and hang the mirror on the wall.

OPERATING INSTRUCTIONS

- Please use standard plug to connect the power directly.
- The boot is the color temperature of the last shutdown, with a memory function. Press to turn the light on/off
- Short press the switch to adjust the different color temperature of the light. You can choose warm, natural or cold light. Long press the switch to adjust the brightness, you can stop at any brightness you want
- Press switch to turn on/off the anti-fog. The button lights blue when the demister is on.
- Unplug when it is no used.

SPECIFICATIONS

[Product Name] LED bathroom mirror
[Material] Aluminum frame + Glass
[LED Color Temperature] 3000-4500-6000K
[Power Supply] Powered driver AC,120V

SKU#	Dimensions	Output Around	LM
ML01-57	20" x 28"	44W	2400
ML01-68	24" x 32"	52W	2700
ML01-77	30" x 30"	55W	3000
ML01-79	36" x 28"	61W	3100
ML01-99	36" x 36"	72W	3600
ML01-106	40" x 24"	66W	3100
ML01-108	40" x 32"	72W	3600
ML01-128	48" x 32"	85W	4000
ML01-129	48" x 36"	87W	4200
ML01-915	60" x 36"	120W	4800

SPECIAL FEATURE

- 5/23 inch Thickness high definition- tempered glass mirror
- Built-in touch sensor switch
- Free to switch between warm, natural and cool light And adjust the brightness.
- With anti-fog function
- Built-in power plug