


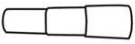





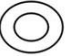




PARTS

| | |
|--|---|
| (1)X1  | (7)X5  |
| (2)X1  | (8)X1  |
| (3)X1(L)X1(R)  | (9)X12  |
| (4)X1  | (10)X4  |
| (5)X1  | (11)X16  |
| (6)X1  | (12)X1  |

ASSEMBLY INSTRUCTION

