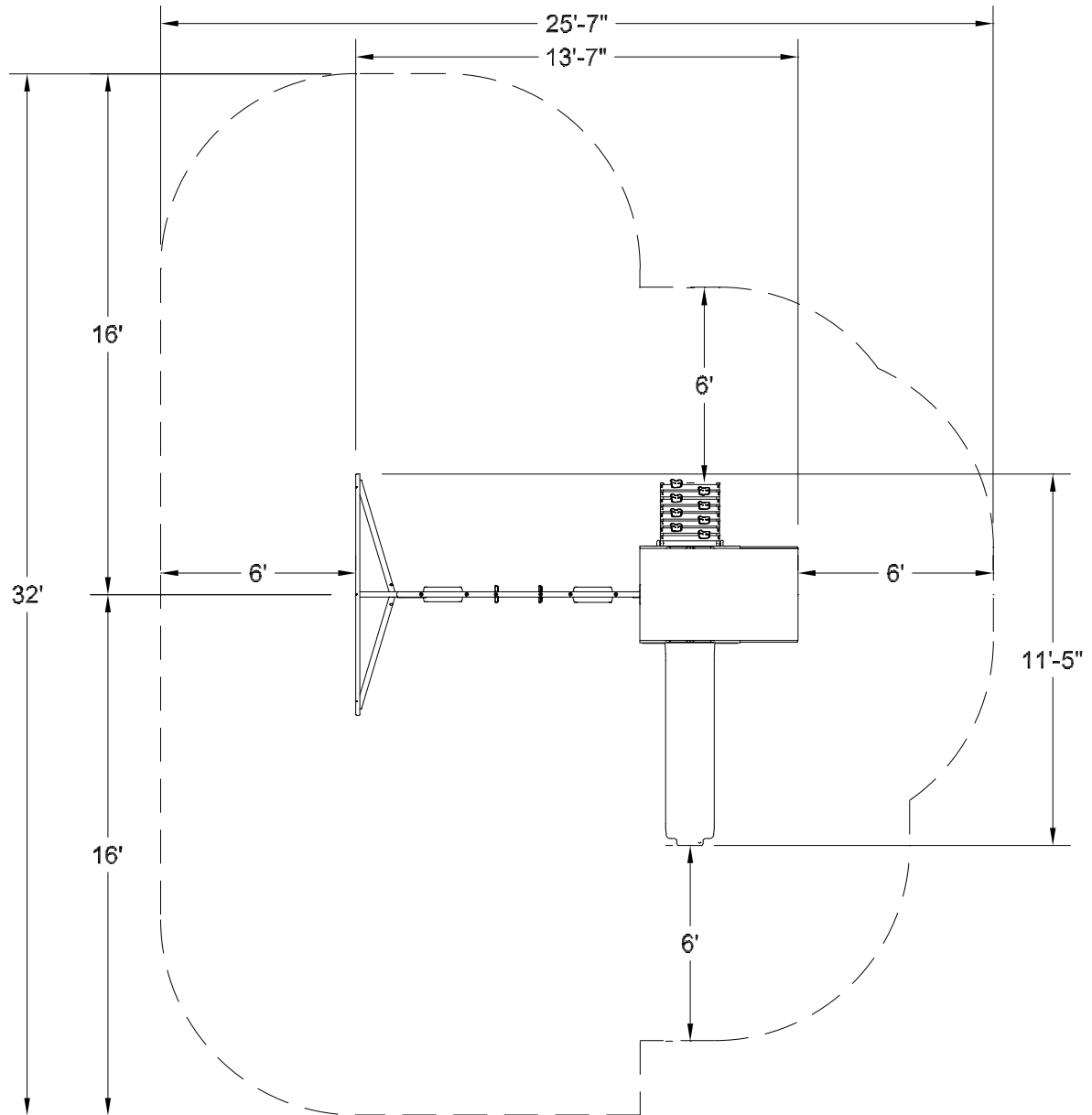


# DIMENSIONS



MINIMUM USE ZONE FOR PLAY EQUIPMENT SHALL EXTEND NO LESS THAN 72"  
FROM ALL SIDES OF THE PLAY STRUCTURE.  
SWING USE ZONE EXTENDS NO LESS THAN 158"  
SWINGS MUST HAVE A MINIMUM OF 8" ABOVE THE PROTECTIVE SURFACING.

