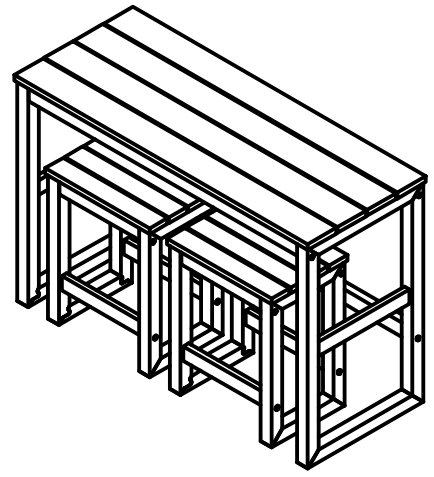


Modern Balcony Set

Assembly Guide

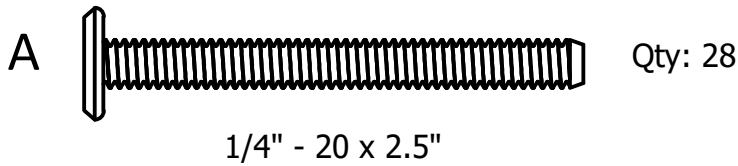


BACL01-MD2
BALC01-MD3

***See Other Side For Table Assembly**

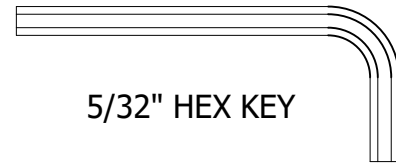
*Actual Style May Vary from
the One Pictured in this Guide

HARDWARE INCLUDED



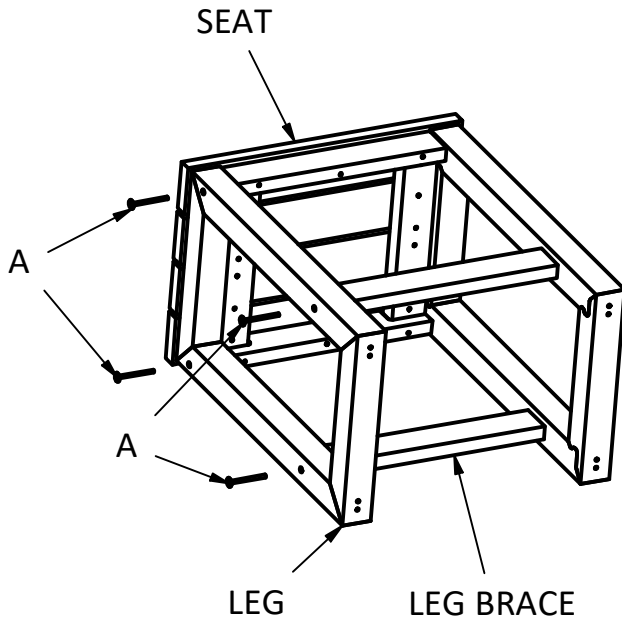
***FOR COUNTER HEIGHT YOU WILL HAVE 2 EXTRA BOLTS**

TOOLS INCLUDED



IMPORTANT!

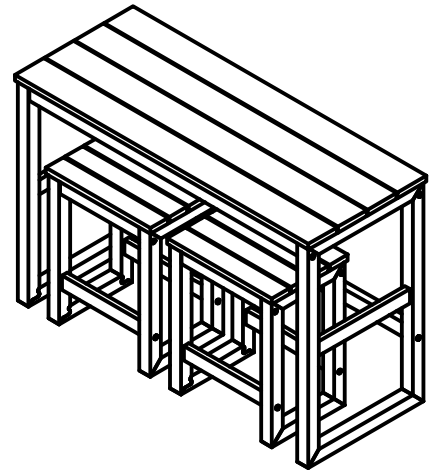
DO NOT fully tighten bolts until all bolts are started.



1.) Place the Seat onto its side and attach the Leg & Leg Braces with (4) A Bolts as shown. **Repeat this step on the other side.**

Modern Balcony Set

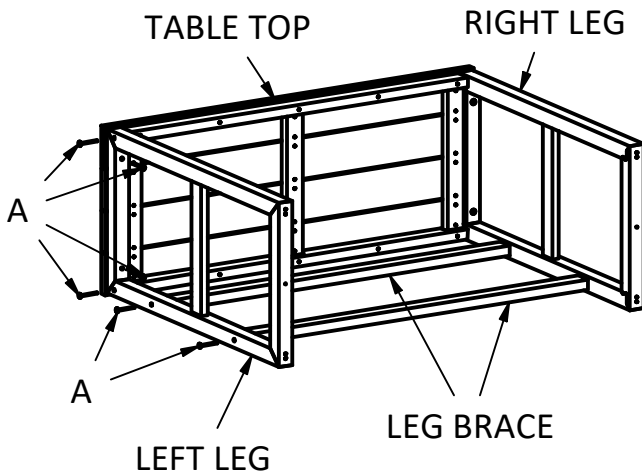
Assembly Guide



BALC01-MD2
BALC01-MD3

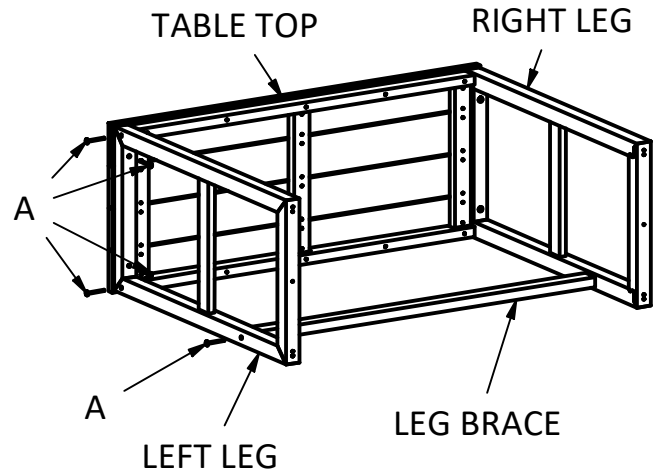
***See Other Side For Stool Assembly**

*Actual Style May Vary from
the One Pictured in this Guide



1.) Place the Table Top onto its side and attach Either the Left or Right Leg and both Leg Braces using (6) A bolts As shown. **REPEAT THIS STEP ON THE OTHER SIDE**

(BAR HEIGHT)



1.) Place the Table Top onto its side and attach Either the Left or Right Leg and Leg Brace using (5) A bolts As shown. **REPEAT THIS STEP ON THE OTHER SIDE**

(COUNTER HEIGHT)