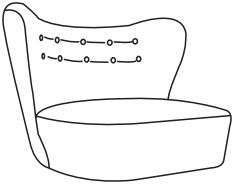
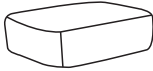

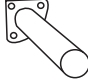



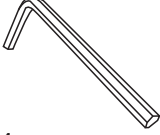
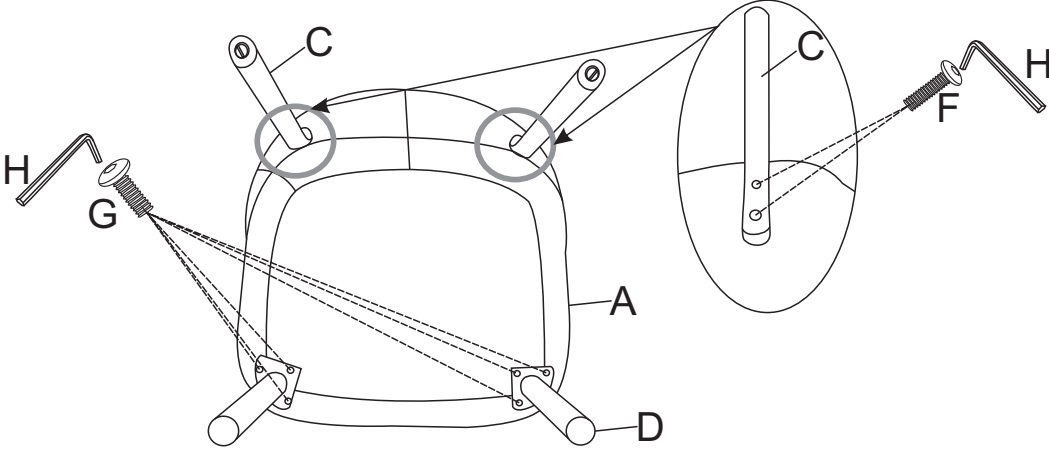
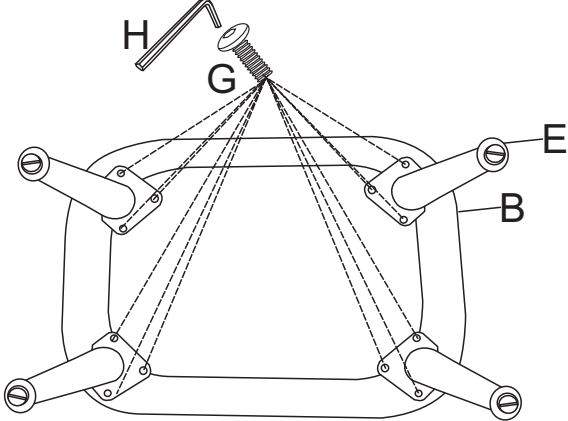
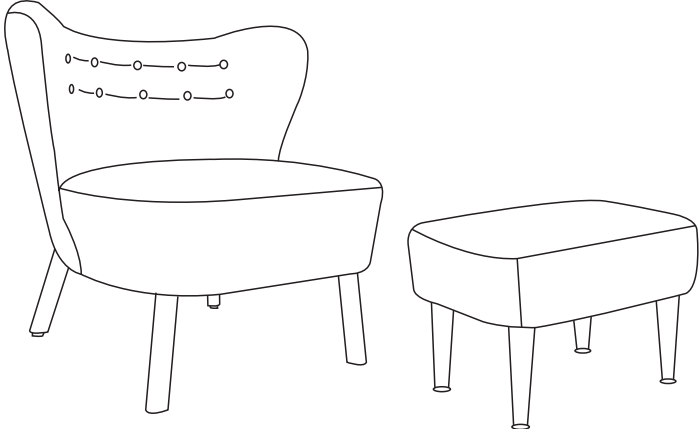


ASSEMBLY INSTRUCTIONS

 Ax1	 Bx1	 Cx2	 Dx2
 Ex4	 Fx4	 Gx18	 Hx1
<p>1</p> <div style="border: 1px solid black; padding: 5px; width: fit-content;"> Ax1 Cx2 Dx2 Fx4 Gx6 </div>			
<p>2</p> <div style="border: 1px solid black; padding: 5px; width: fit-content;"> Bx1 Ex4 Gx12 </div>			
<p>3</p> 			

Remark: After installation if there is uneven can adjust the pad to achieve balance