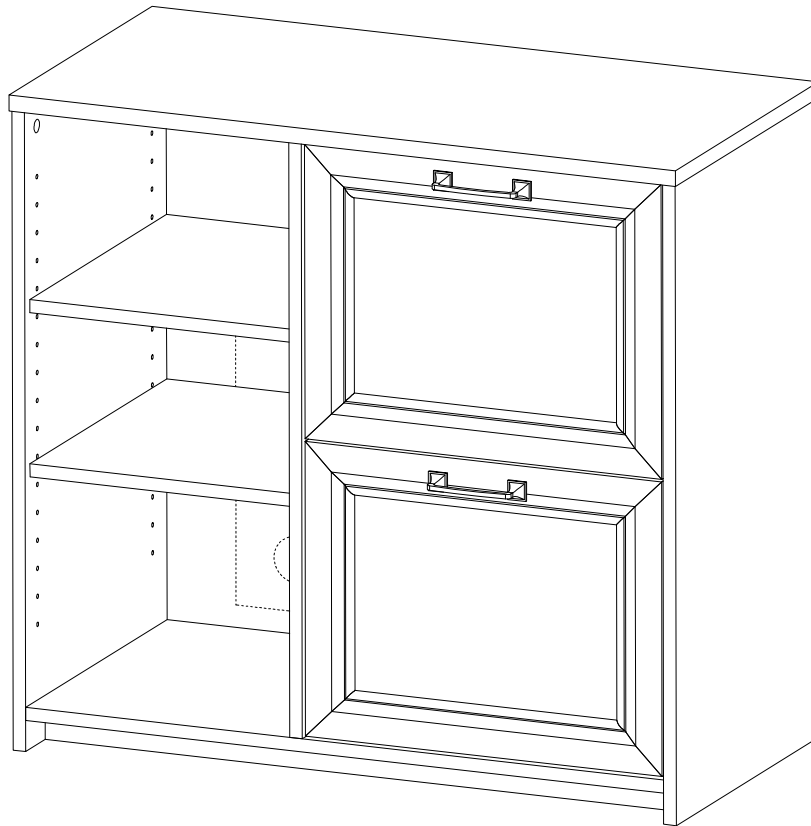


# ASSEMBLY INSTRUCTIONS

## Important Safety Instructions:

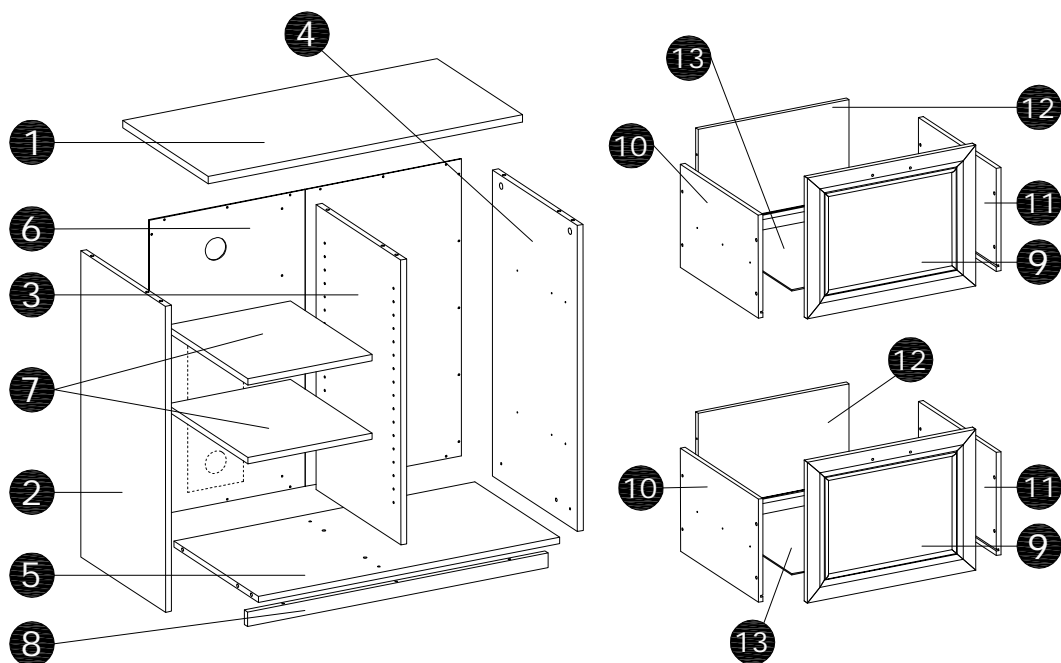
- Please read all instructions before beginning assembly
- Please make sure receive all the parcels to start the assembly
- For your safety and convenience, assembly by two people is recommended
- Use the parts and hardware lists to identify and separate each of the components included
- Save all packing materials until assembly is completed to avoid the accidental discarding of smaller parts or hardware



THANK YOU FOR PURCHASING

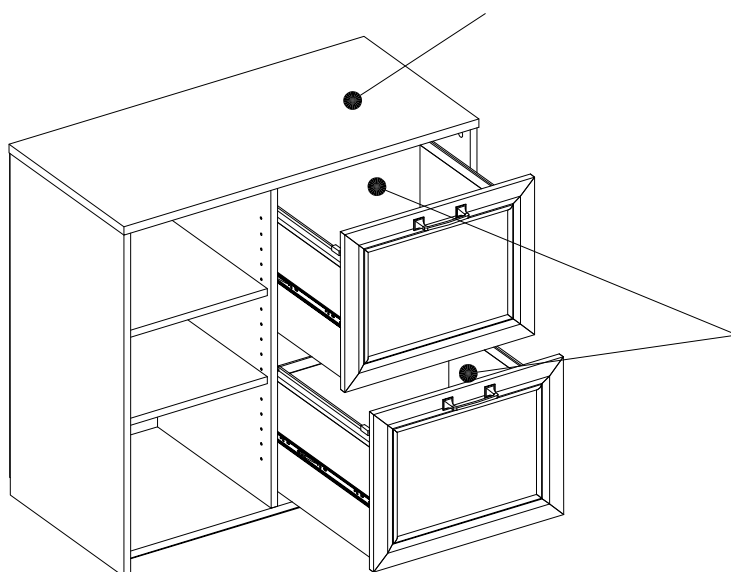
# PARTS LIST

- |      |      |      |      |      |
|------|------|------|------|------|
| ① X1 | ② X1 | ③ X1 | ④ X1 | ⑤ X1 |
| ⑥ X1 | ⑦ X2 | ⑧ X1 | ⑨ X2 | ⑩ X2 |
| ⑪ X2 | ⑫ X2 | ⑬ X2 |      |      |



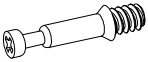


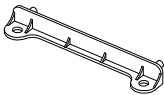


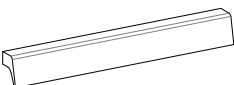
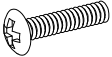
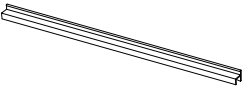
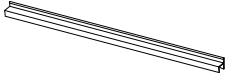

## Maximum weight capacities

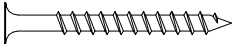
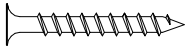
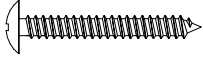
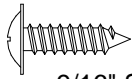
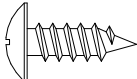
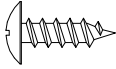
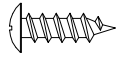
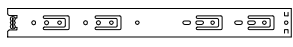
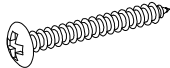
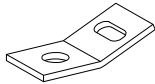
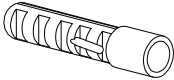

MAXIMUM WEIGHT: 150 LBS (68 KG)



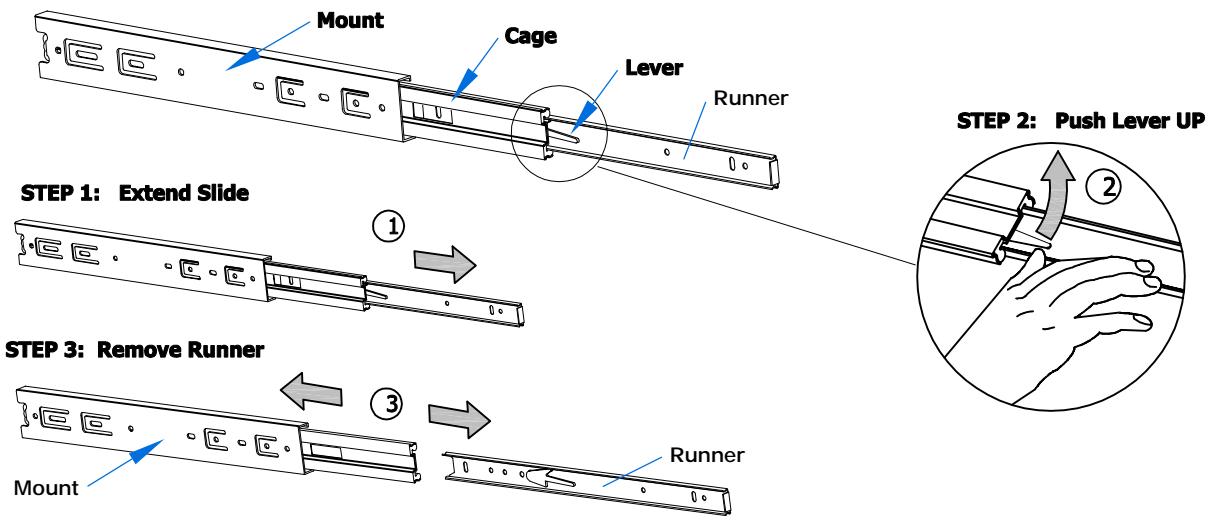
MAXIMUM WEIGHT:  
28 LBS (13 KG)

# HARDWARE LIST

Name	Part	Qty.	Spare
A		10	1
B		10	1
C		7	1
D		4	
E		8	
F	A K 4 9 0 1 	2	
	A K 4 9 3 4 		
G	 7/8" Screw	4	1
H		2	
I		4	
J		2	

Name	Part	Qty.	Spare
K	 2" Screw	2	
L	 1-1/2" Screw	8	
M	 1-1/2" Screw	3	
N	 9/16" Screw	26	1
O	 9/16" Screw	8	
P	 1/2" Screw	8	1
R	 1/2" Screw	24	3
T	 14"	4	
U2		2	
U3		2	
U4		1	
U5		1	

**Slides Must Be Separated Before Assembly.  
After Separated, Set Aside Until Needed for Assembly.**

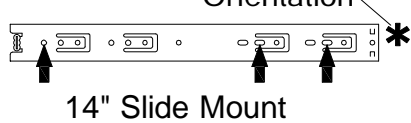


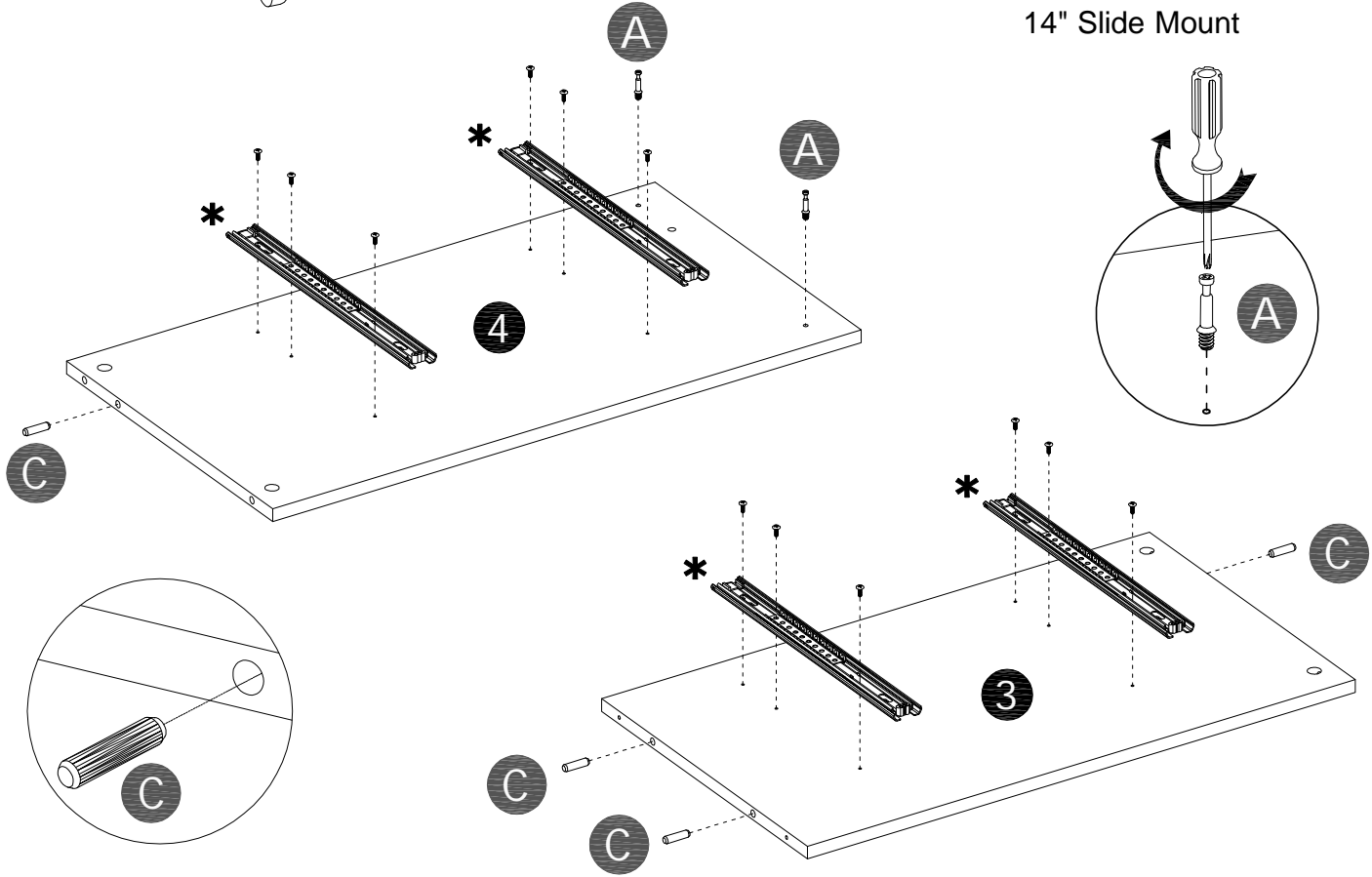
# STEP 1

**C** x4pcs 

**R** x12pcs 

**A** x2pcs 

**T** x4pcs  Orientation \*  
14" Slide Mount

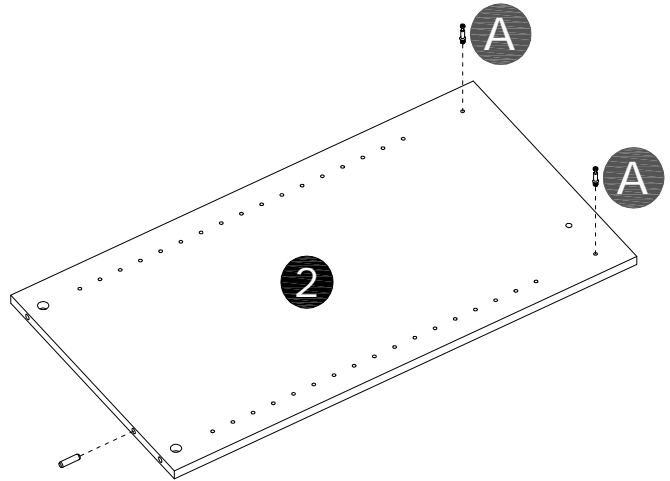
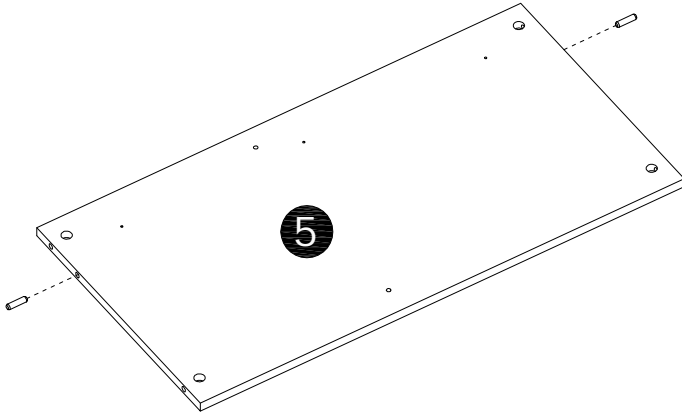
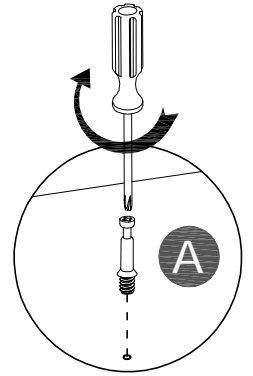
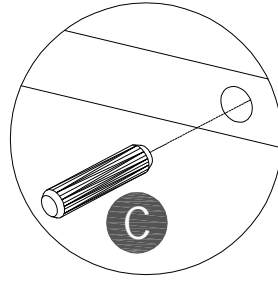
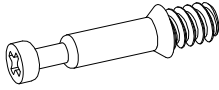


## STEP 2

C x3pcs

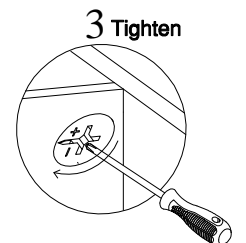
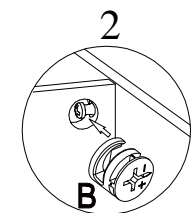
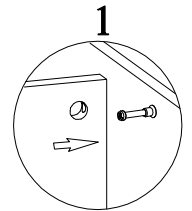
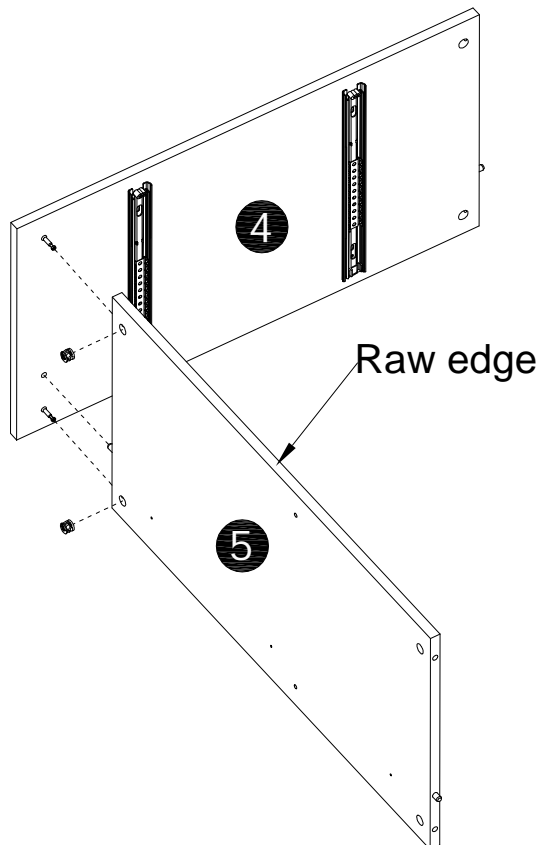
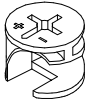


A x2pcs



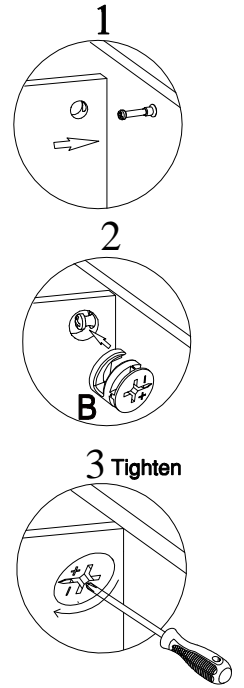
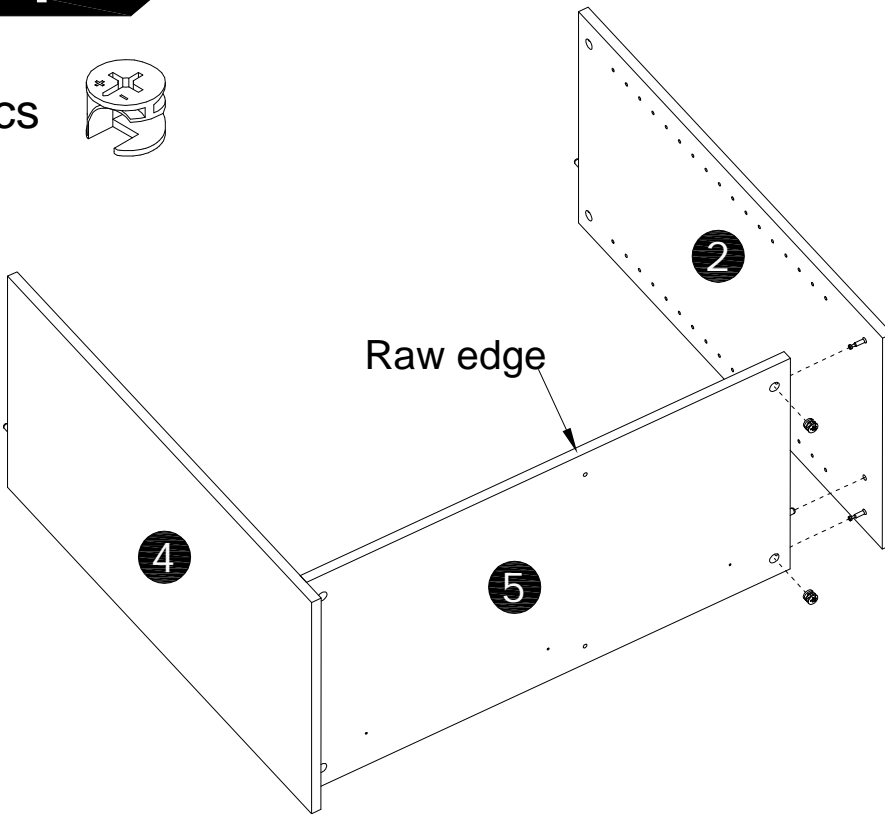
## STEP 3

B x2pcs



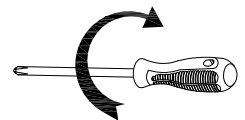
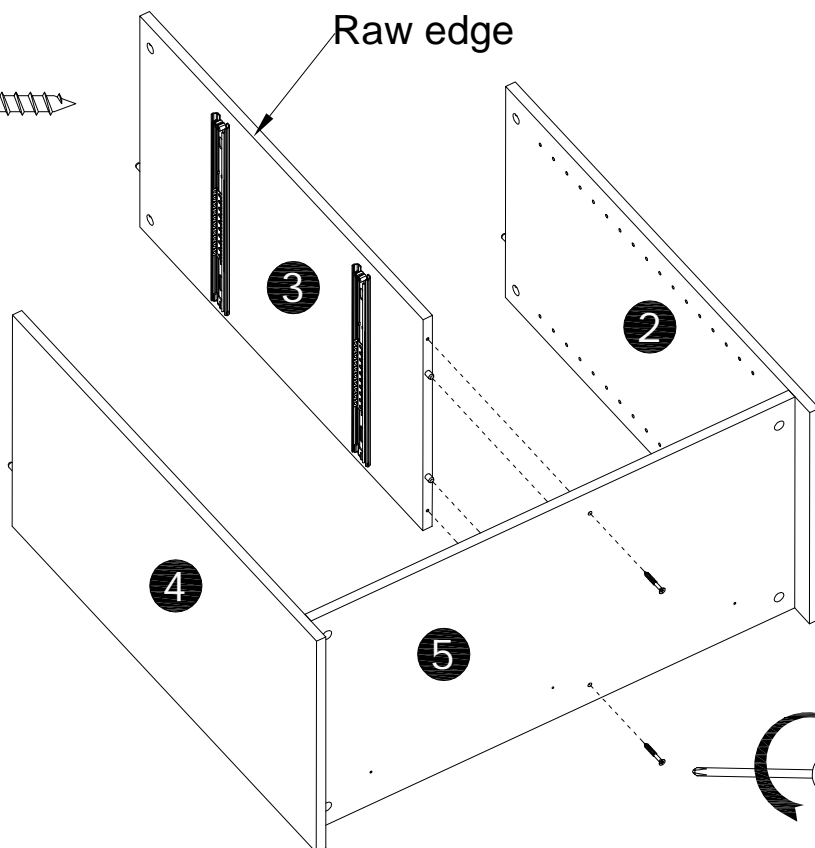
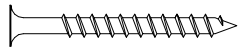
# STEP 4

**B** x2pcs



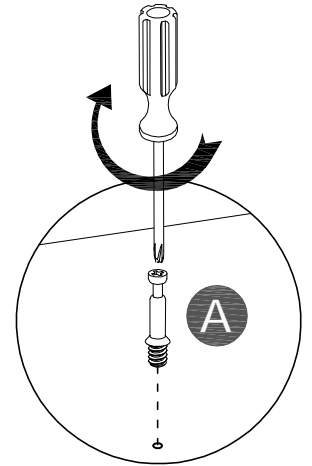
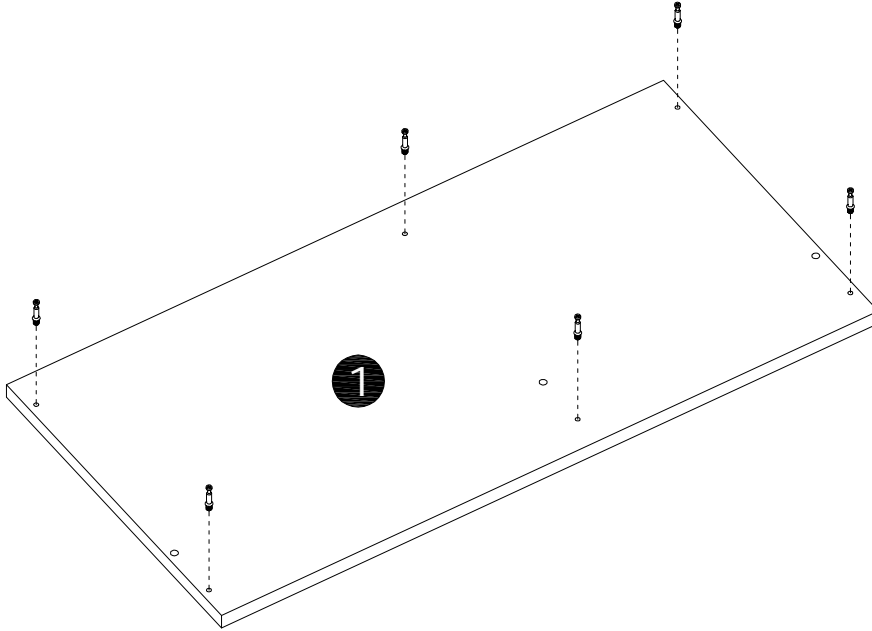
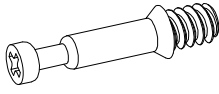
# STEP 5

**K** x2pcs



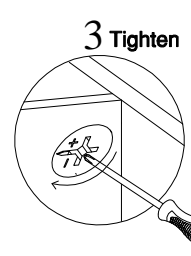
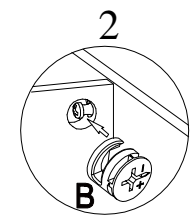
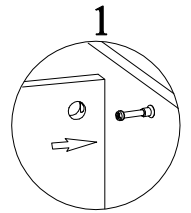
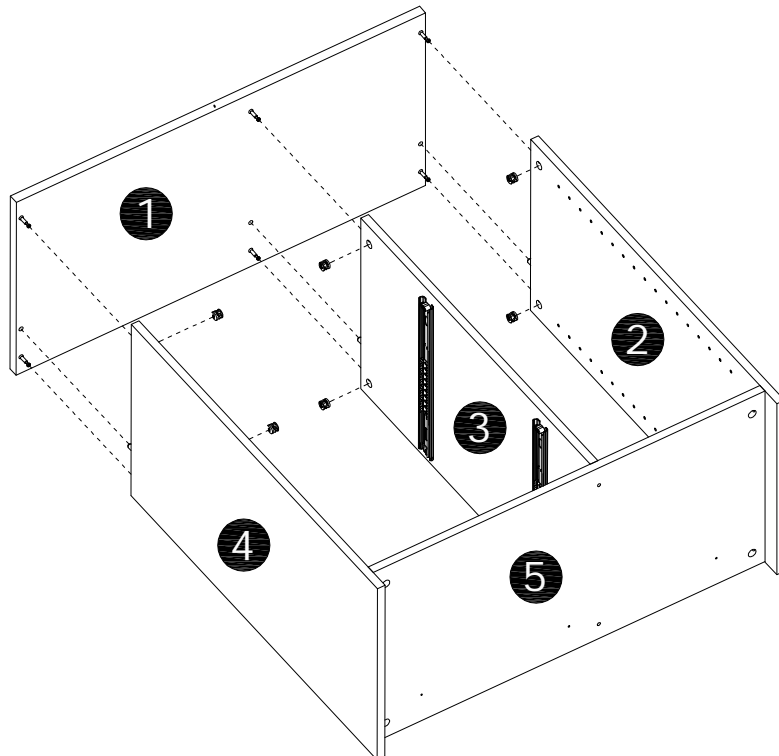
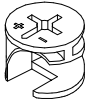
# STEP 6

A x6pcs



# STEP 7

B x6pcs

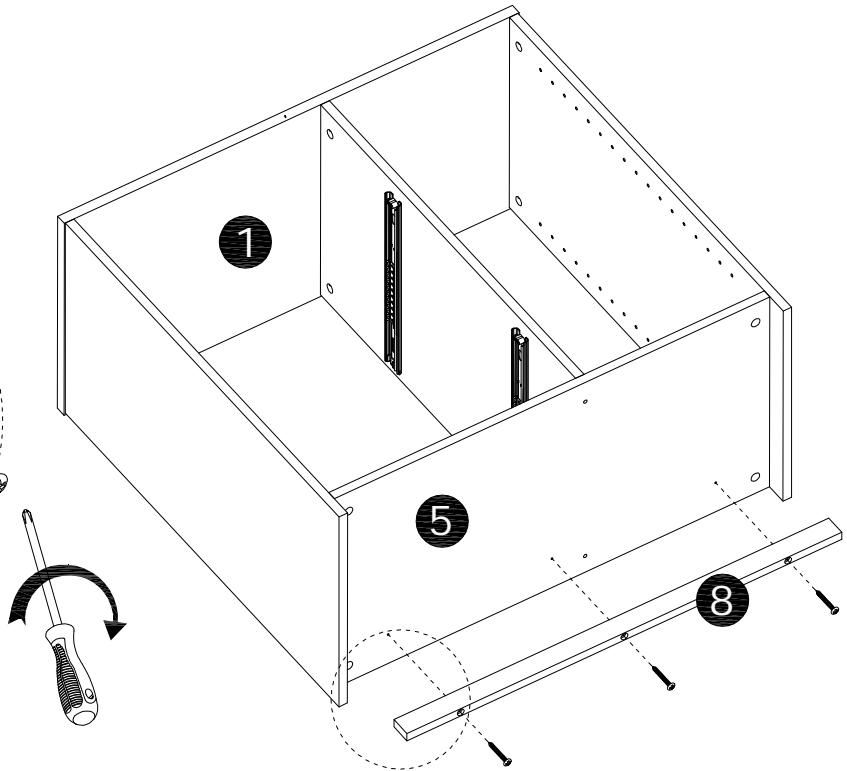
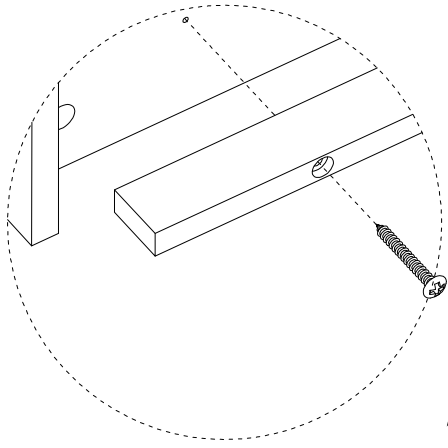


# STEP 8

M x3pcs



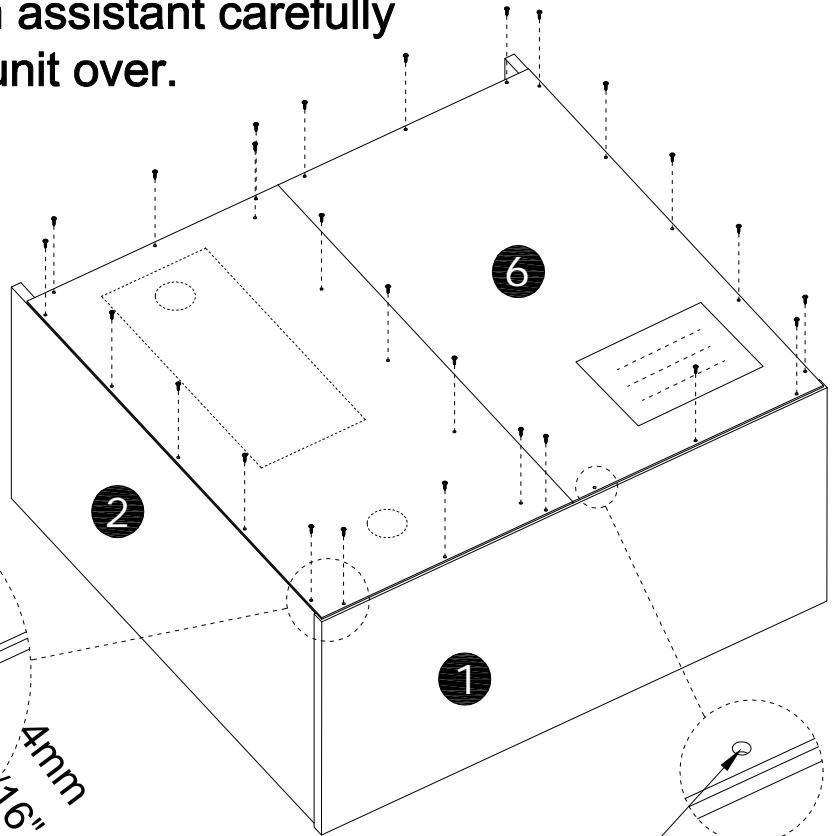
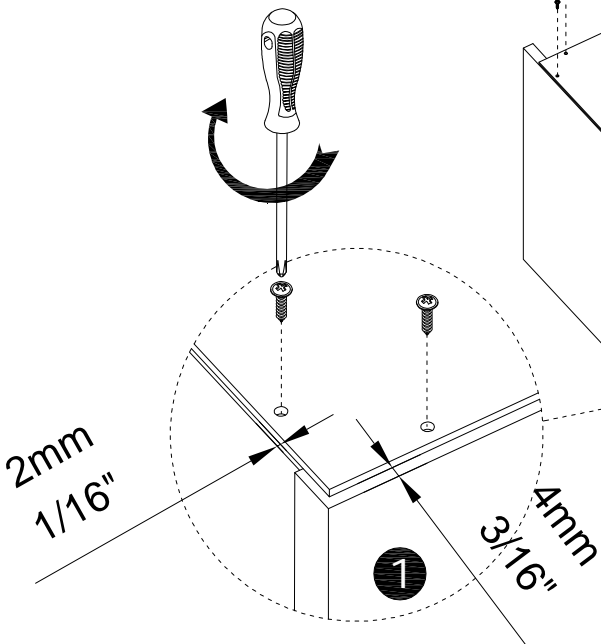
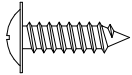
1-1/2" Screw



# STEP 9

With assistant carefully flip unit over.

N x26pcs

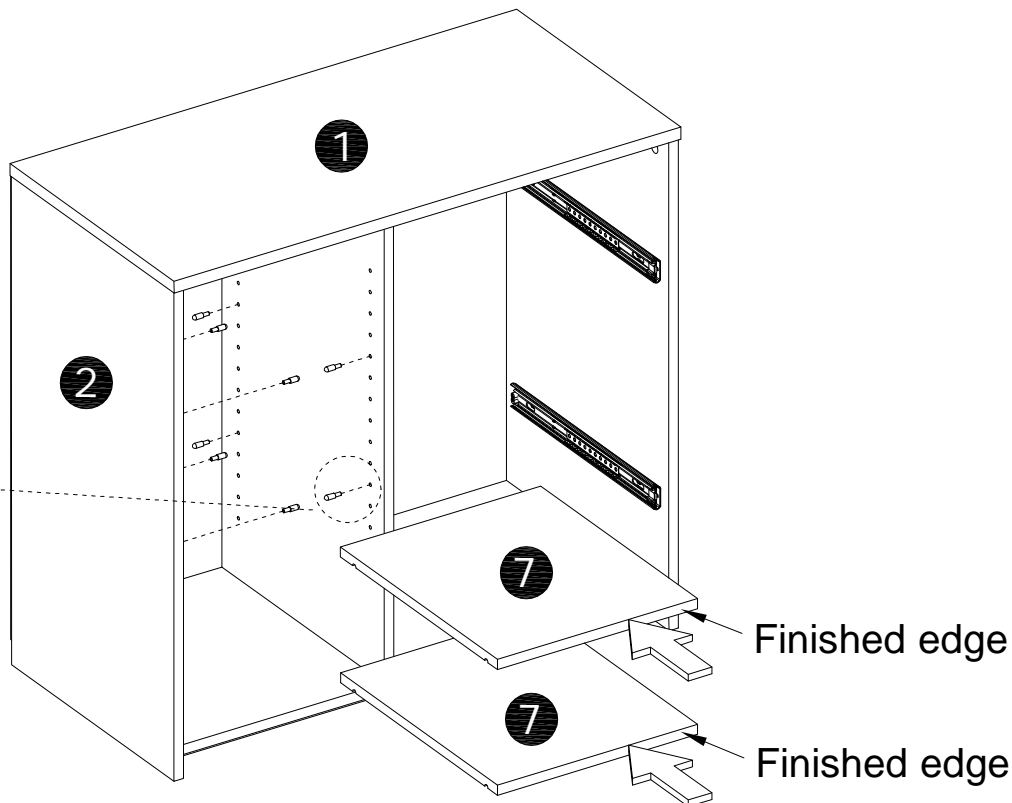
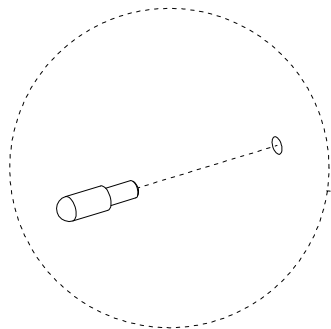


NO SCREW

# STEP 10

With assistant carefully stand unit up.

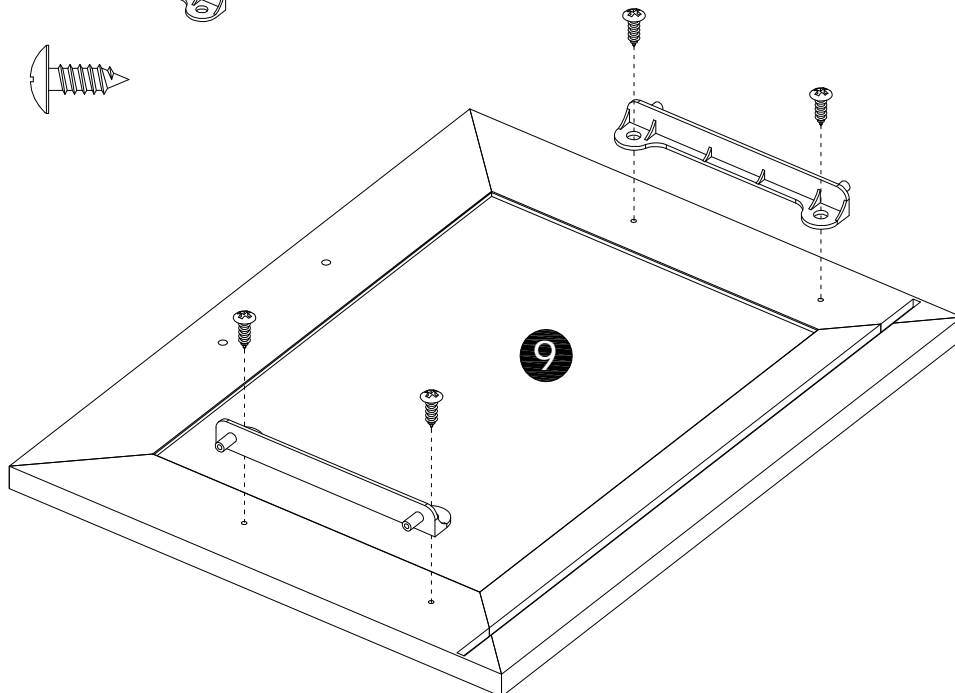
**E** x8pcs 



# STEP 11

**D** x4pcs 

**O** x8pcs 

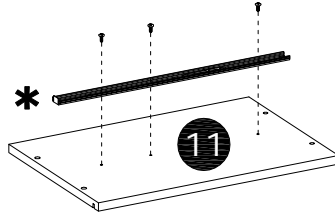
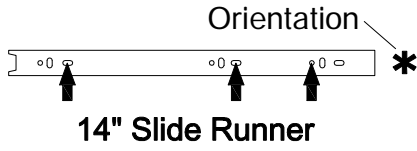


x2

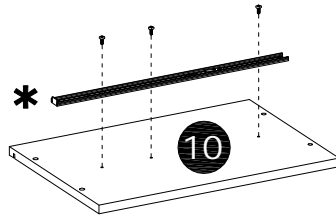
## STEP 12

R x12pcs 

T x4pcs



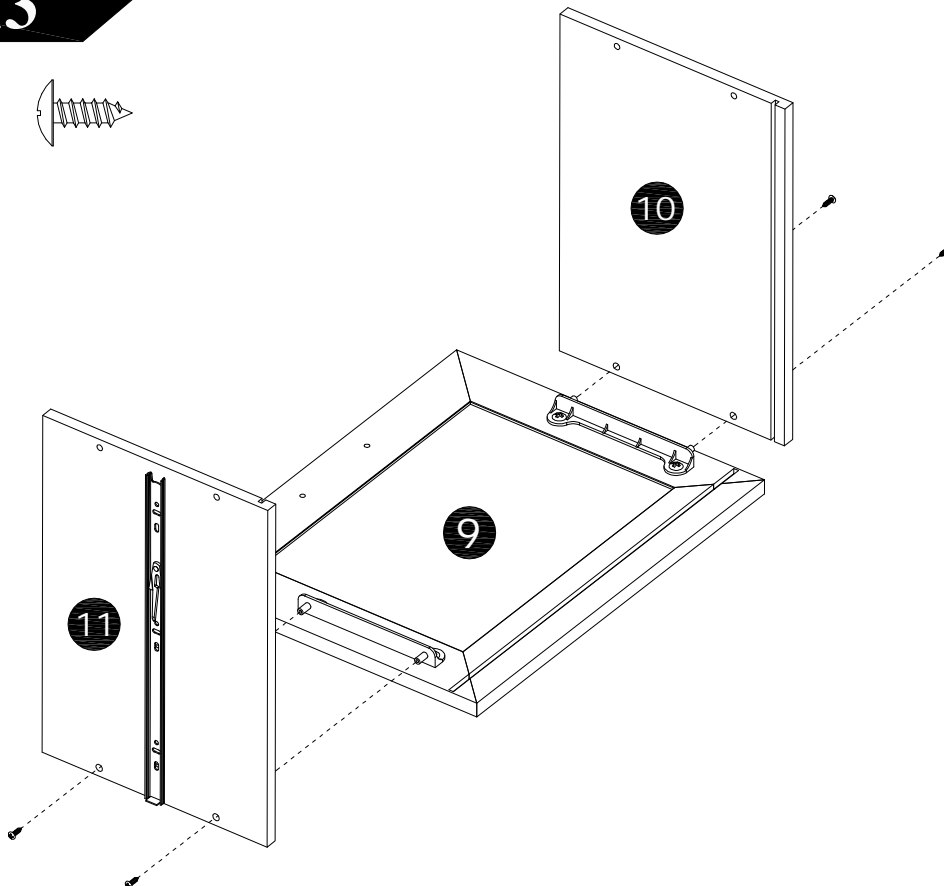
x2



x2

## STEP 13

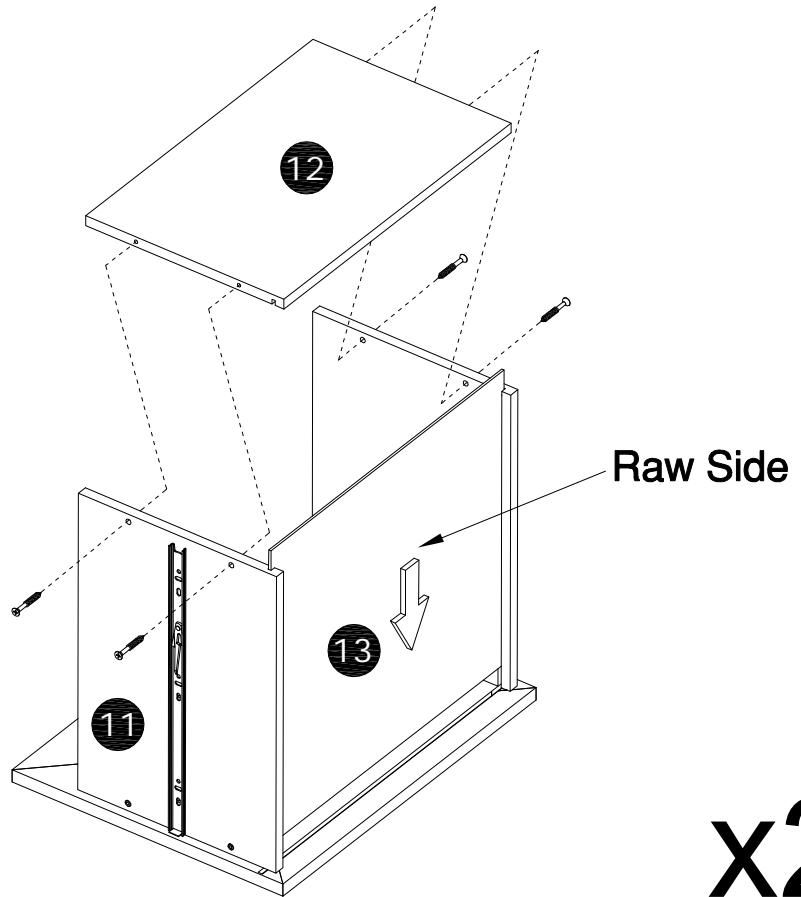
P x8pcs 



x2

# STEP 14

L x8pcs 



# STEP 15

AK4901

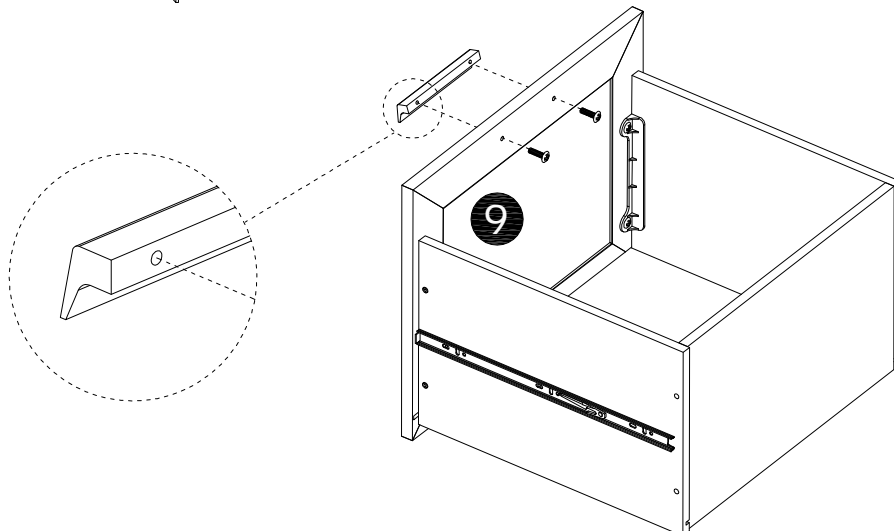
F x 2pcs 

G x 4pcs 

AK4934

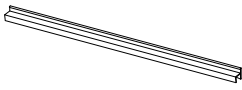
F x 2pcs 

G x 4pcs 

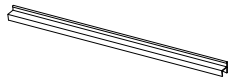


# STEP 16

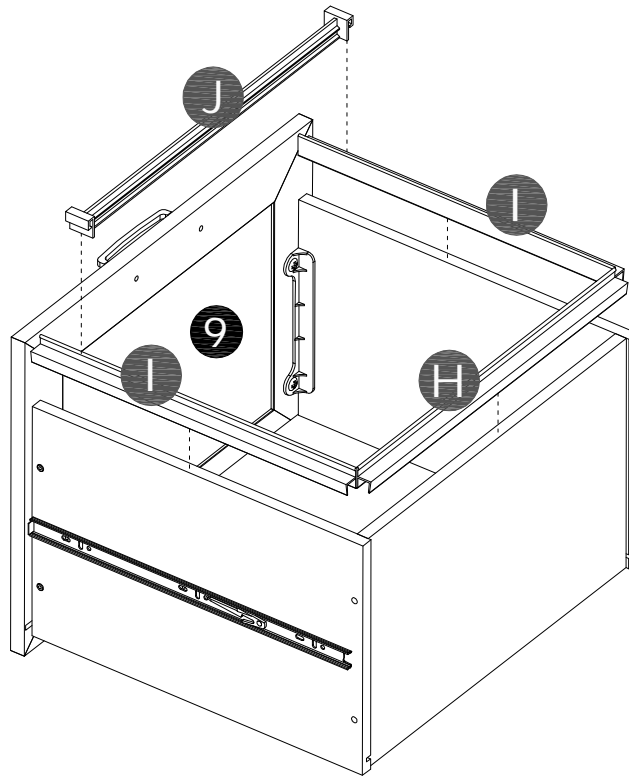
H x2pcs



I x4pcs



J x2pcs



x2

# STEP 17

-Move unit to final location.

-Adjust drawer fronts as shown below.

Step1--Loosen screws on back of drawer front brackets as shown.

Step2--Position drawer front as required.

Step3--Tighten screws while holding drawer front in position.

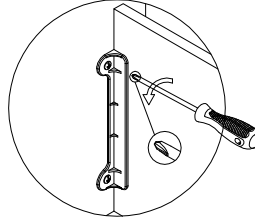
STEP 1



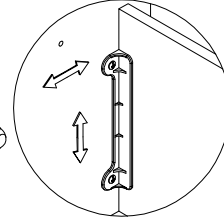
STEP 2



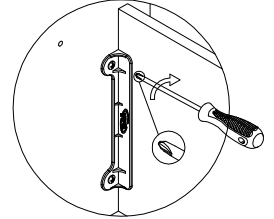
STEP 1.



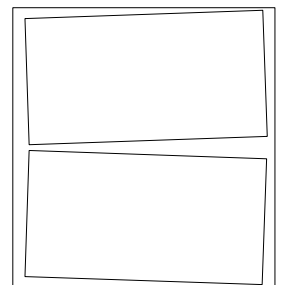
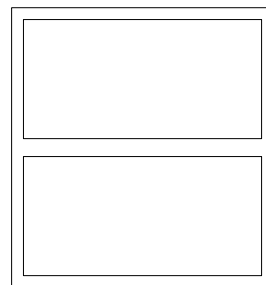
STEP 2.



STEP 3.

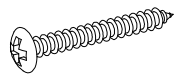


DRAWER FRONT VIEW

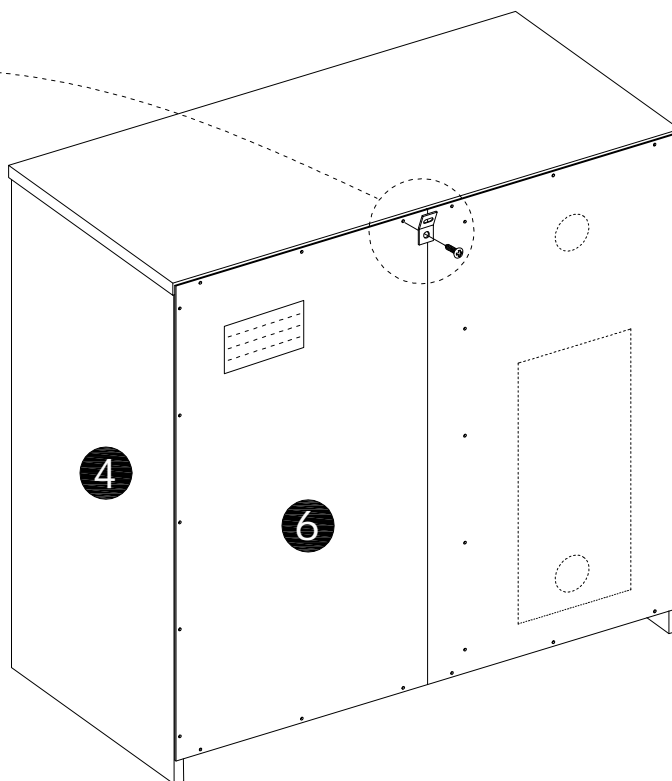
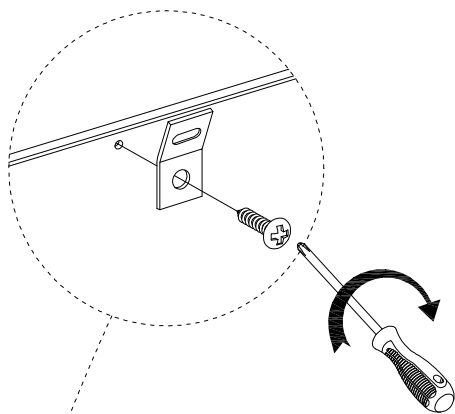
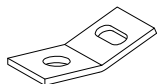


# STEP 18

U<sub>2</sub> x1pcs

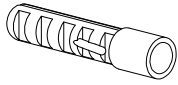


U<sub>3</sub> x1pcs

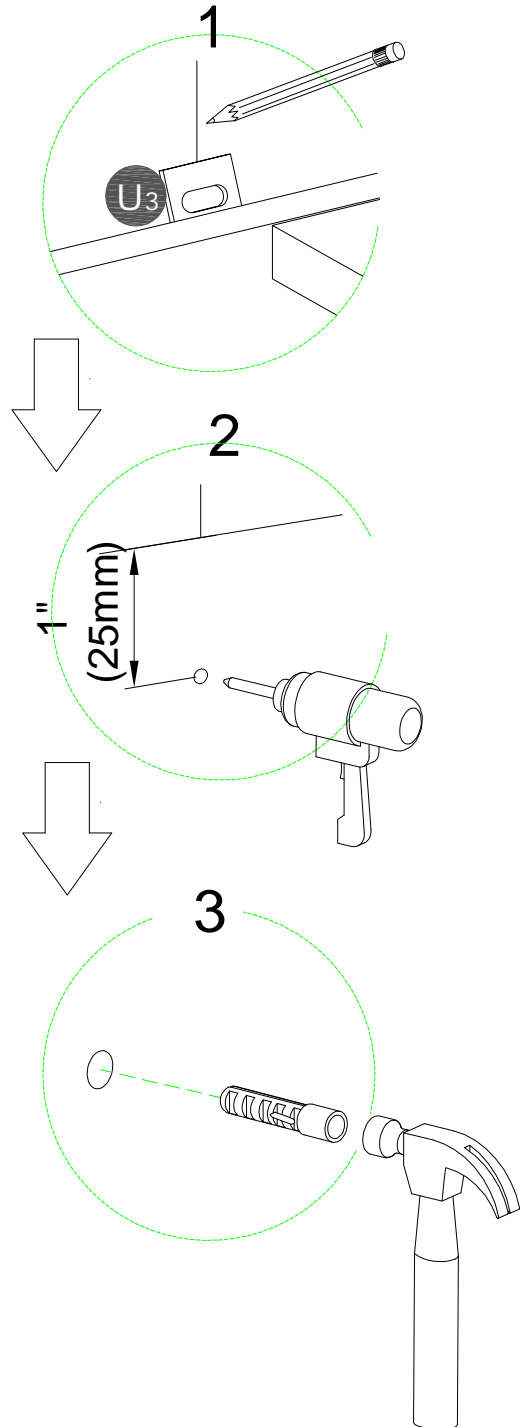
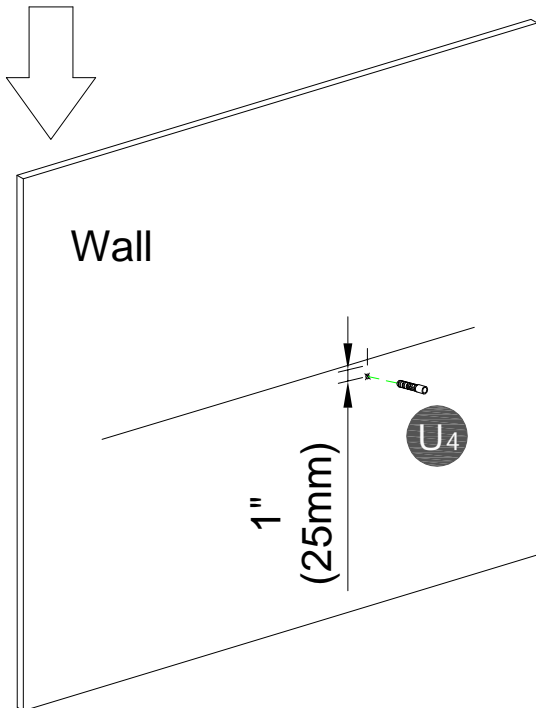
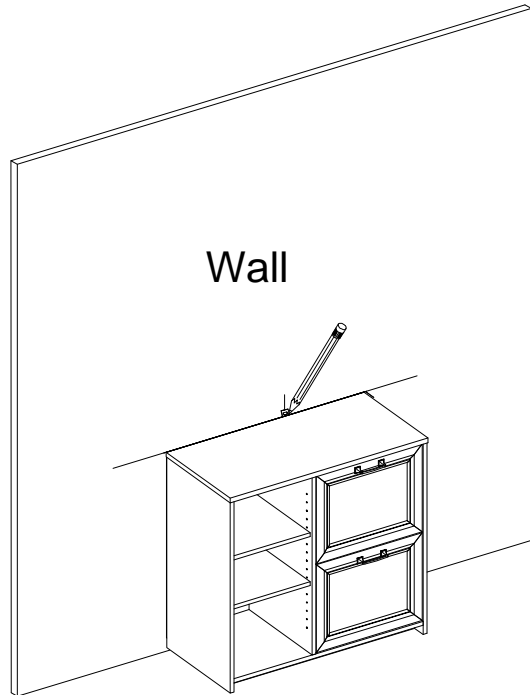


# STEP 19

U<sub>4</sub> x1pcs



1. Place unit in desired location.
2. Mark stud location on the wall, 1" below top and side of unit.
3. Drill 5/16" hole 2" deep at marks on the wall.



# STEP 20

U<sub>2</sub> x1pcs 

U<sub>3</sub> x1pcs 

U<sub>5</sub> x1pcs 