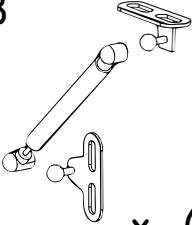
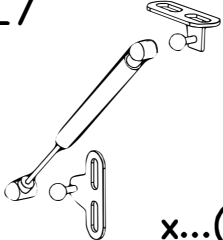

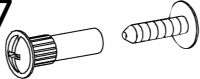

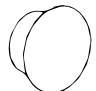
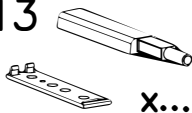
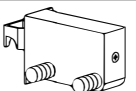
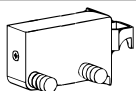
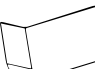
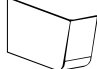



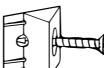

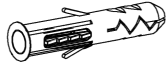
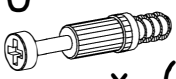

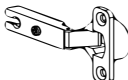
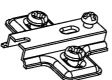

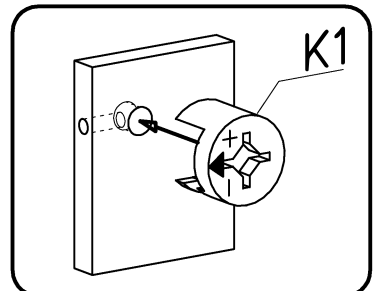
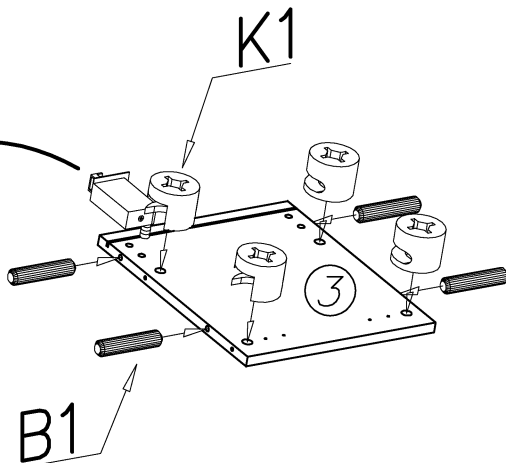
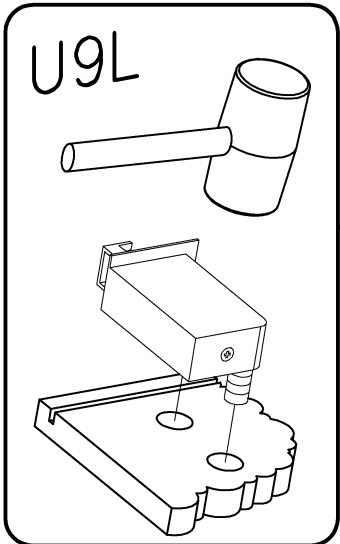
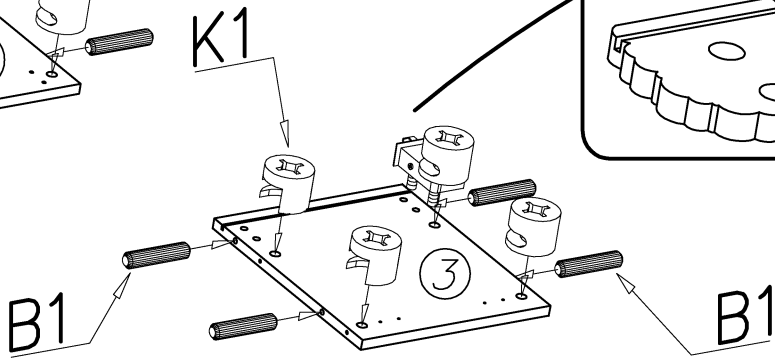
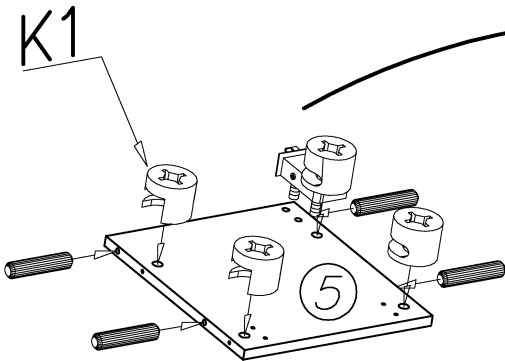
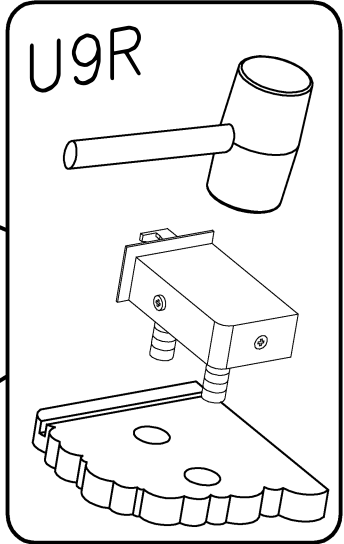
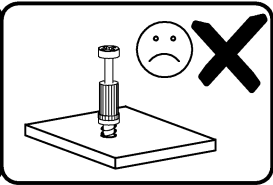
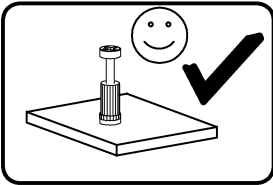
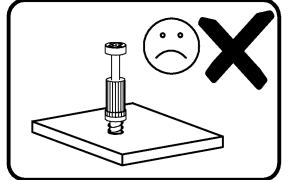
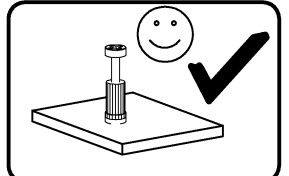
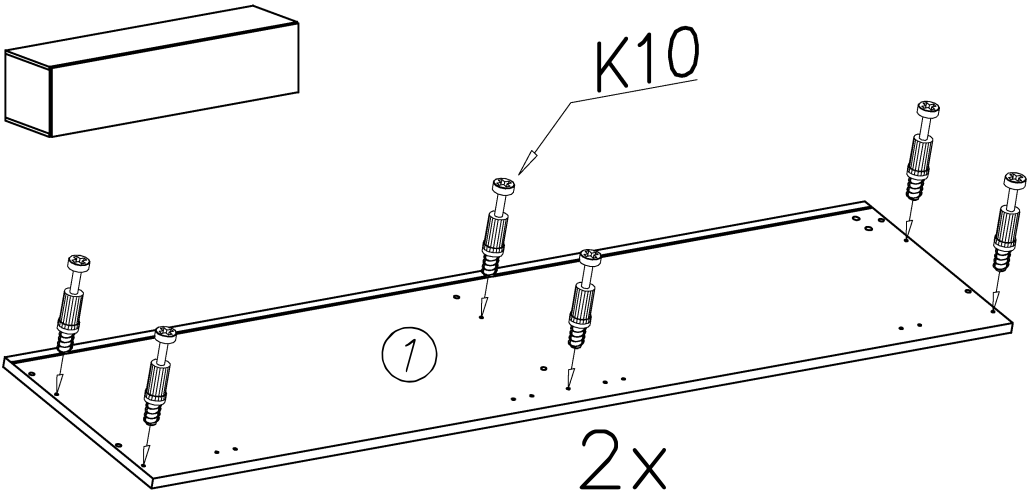
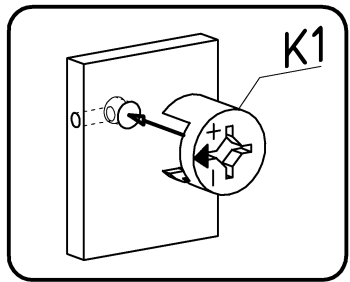
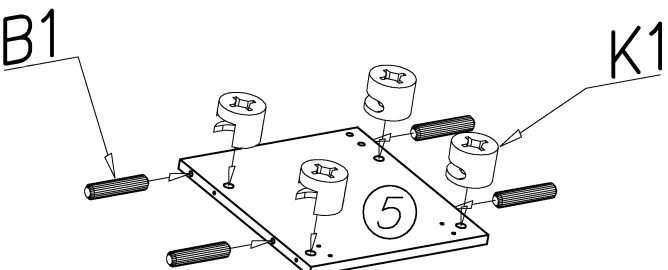
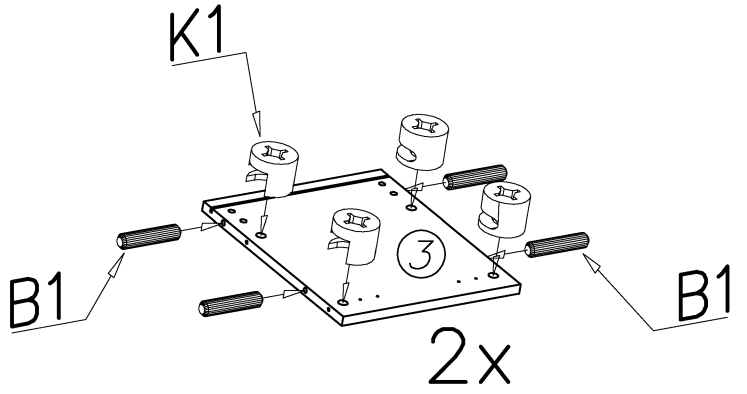
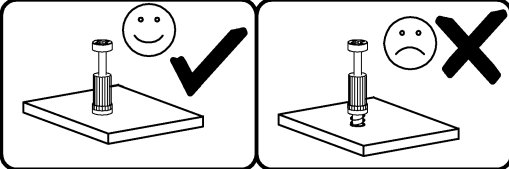
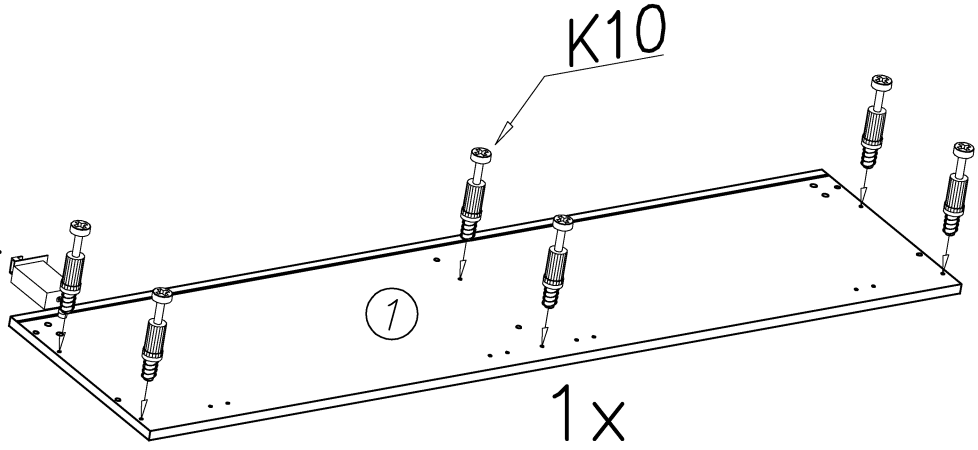
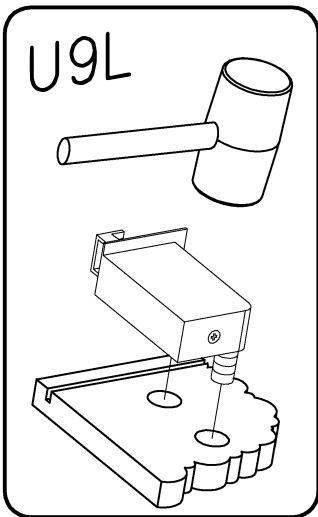
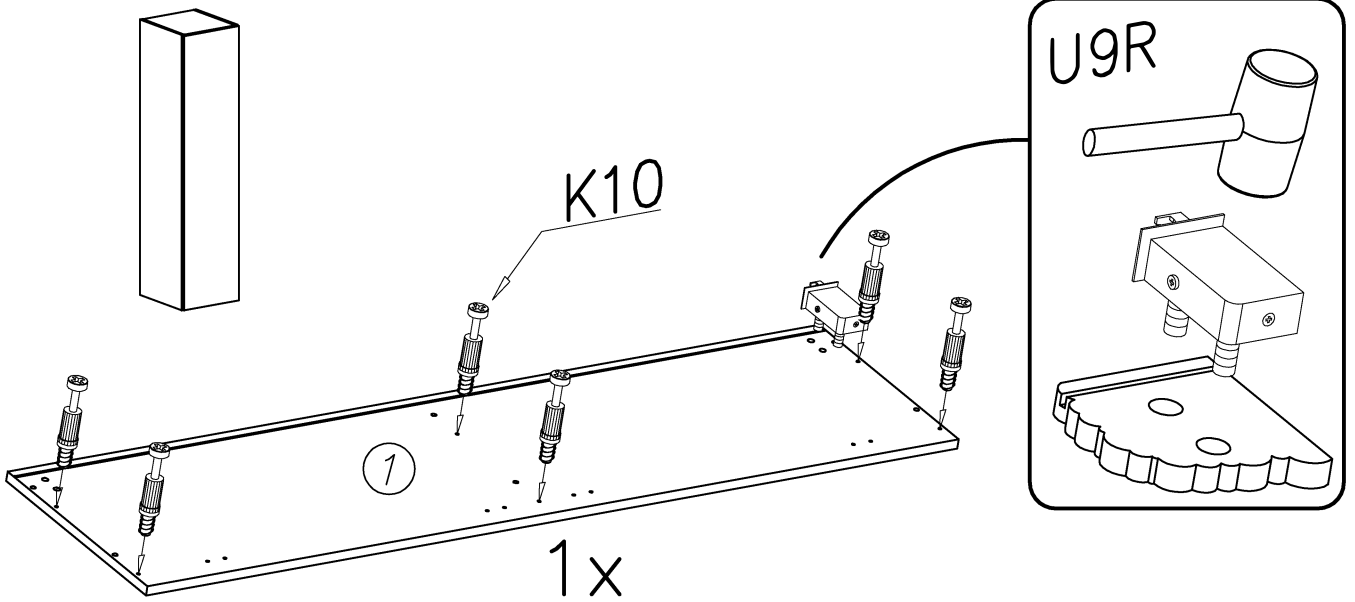


<b>L8</b>  x...(2)	<b>L7</b>  x...(2)	<b>G32</b>  3,5x16 x...(16)	<b>N7</b>  M4x15 x...(2)	
		<b>I4</b>  ø5 x...(12)	<b>I10</b>  ø10 x...(12)	<b>L13</b>  x...(2)
<b>U9L</b>  x...(1)	<b>U9R</b>  x...(2)	<b>U10L</b>  x...(1)	<b>U10R</b>  x...(2)	<b>U7</b>  x...(3)
<b>K1</b>  ø15x12 x...(12)	<b>I7</b>  x...(12)	<b>I1</b>  x...(6)	<b>G57</b>  3,5x16 x...(4)	<b>U8</b>  ø10x60 x...(3)
<b>K10</b>  x...(12)	<b>B1</b>  ø8x35 x...(12)	<b>C3</b>  Z35PR x...(3)	<b>D3</b>  PZ35PR x...(3)	<b>G34</b>  3,5x16 x...(9)

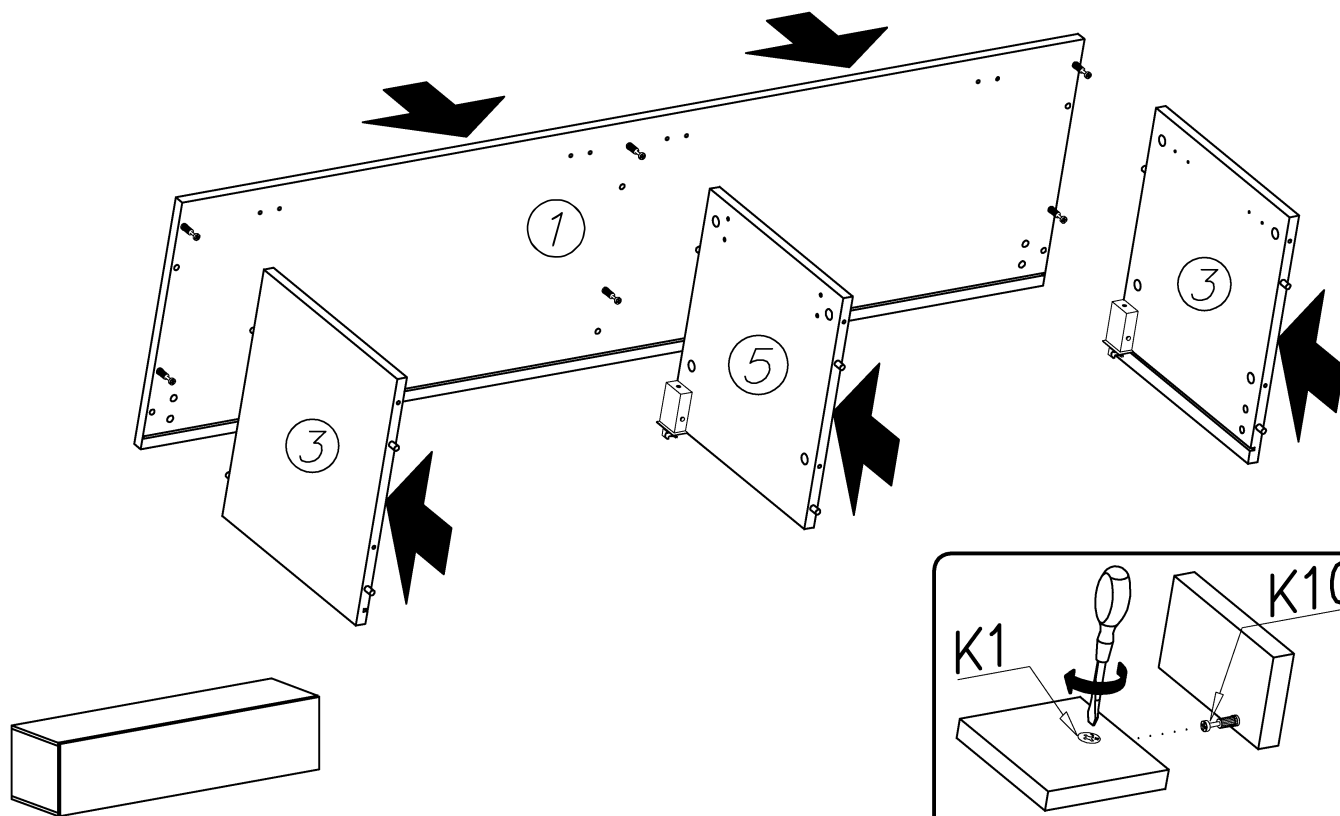
I



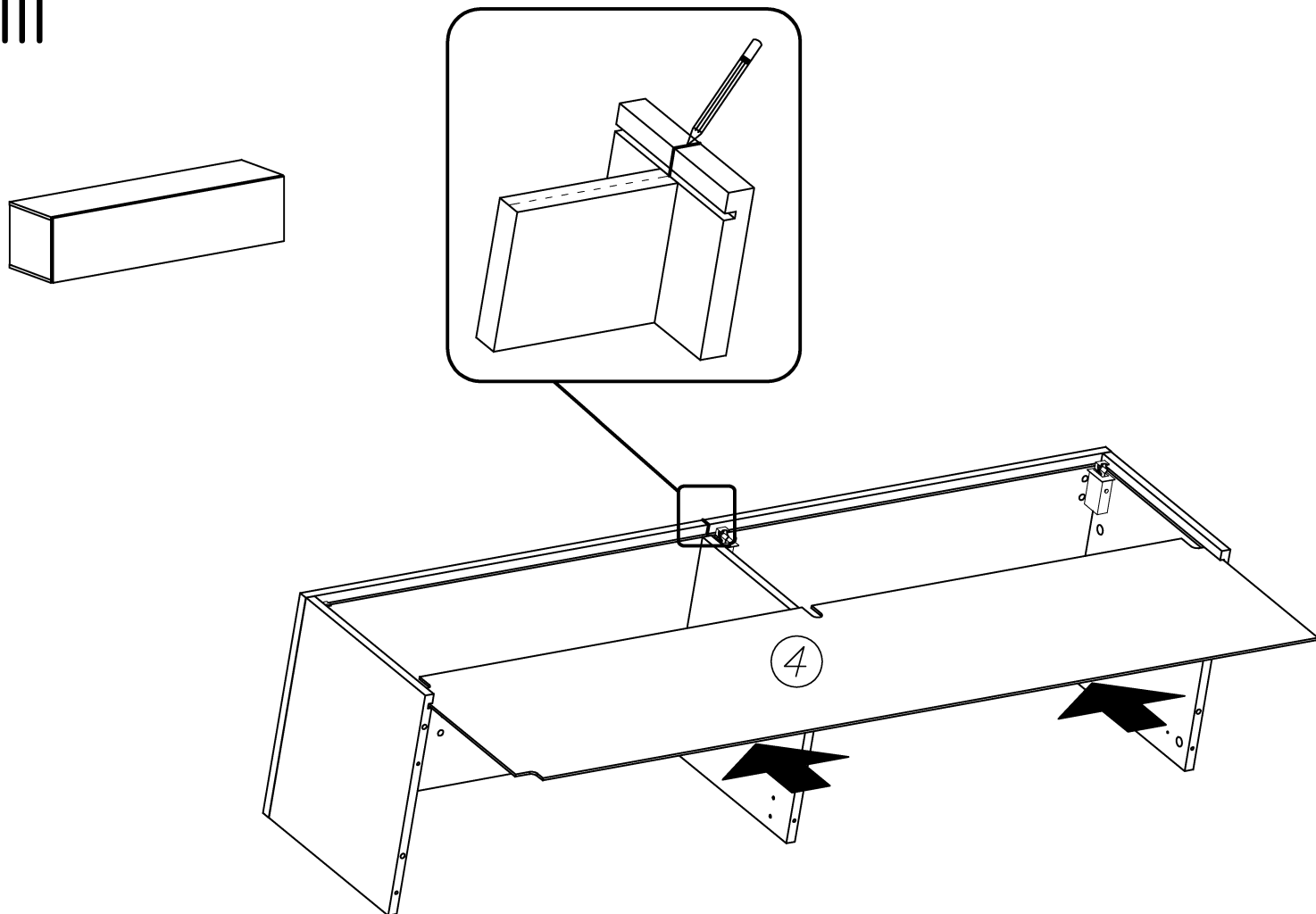
I



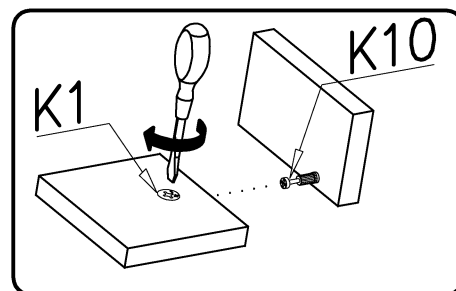
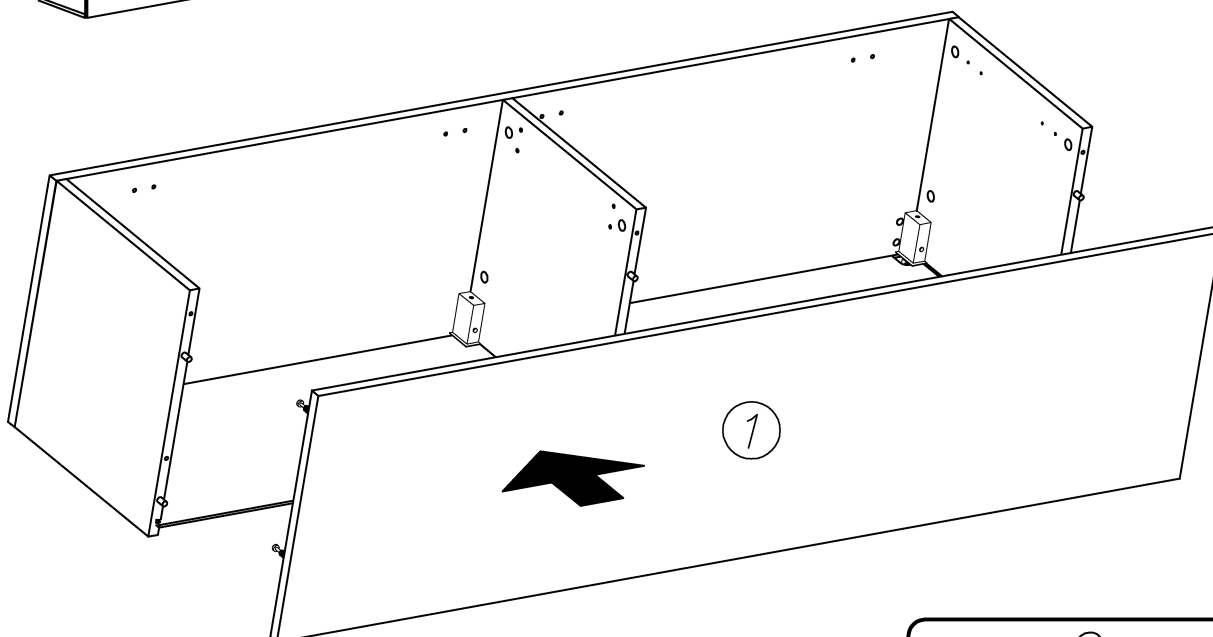
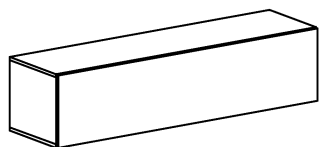
II



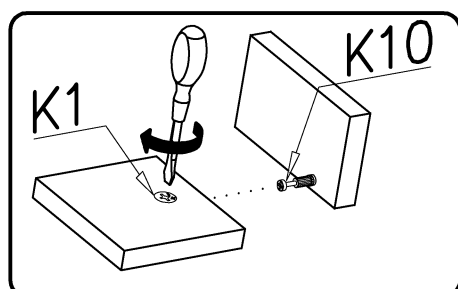
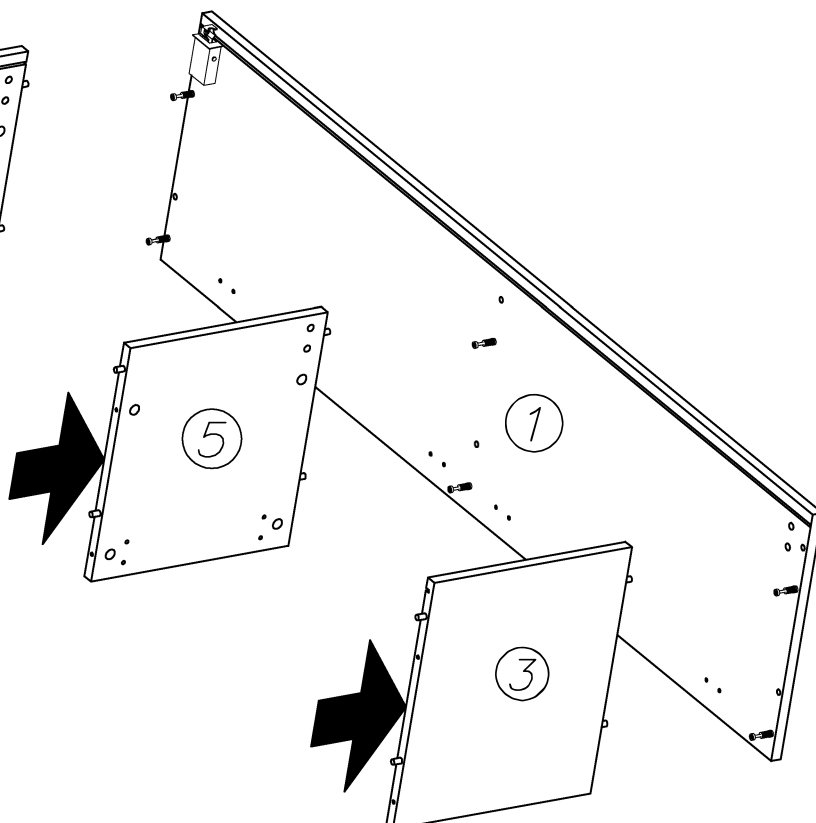
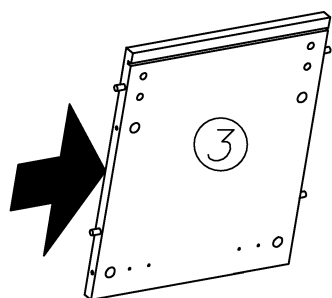
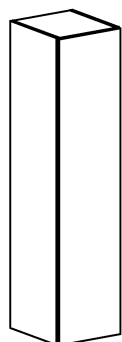
III



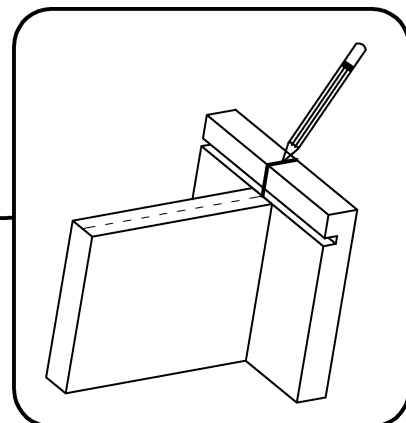
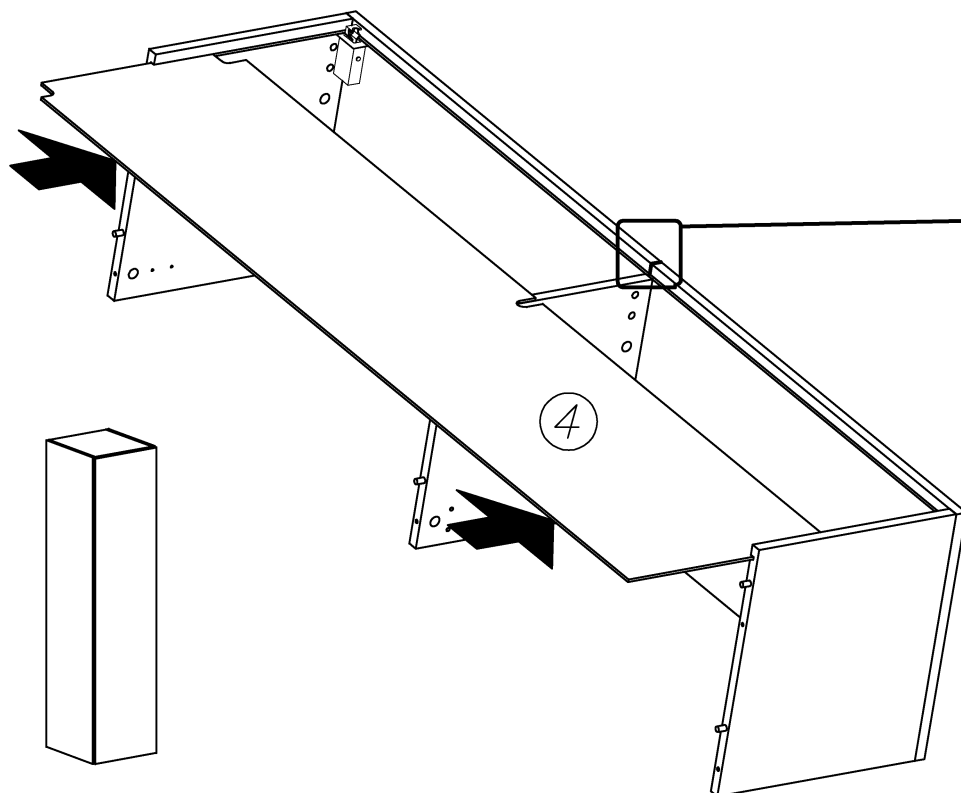
# IV



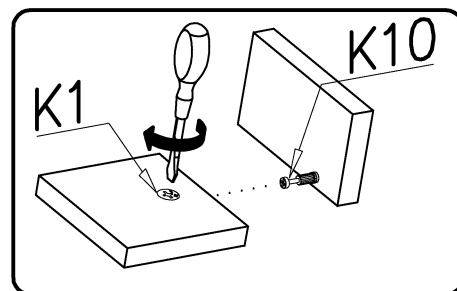
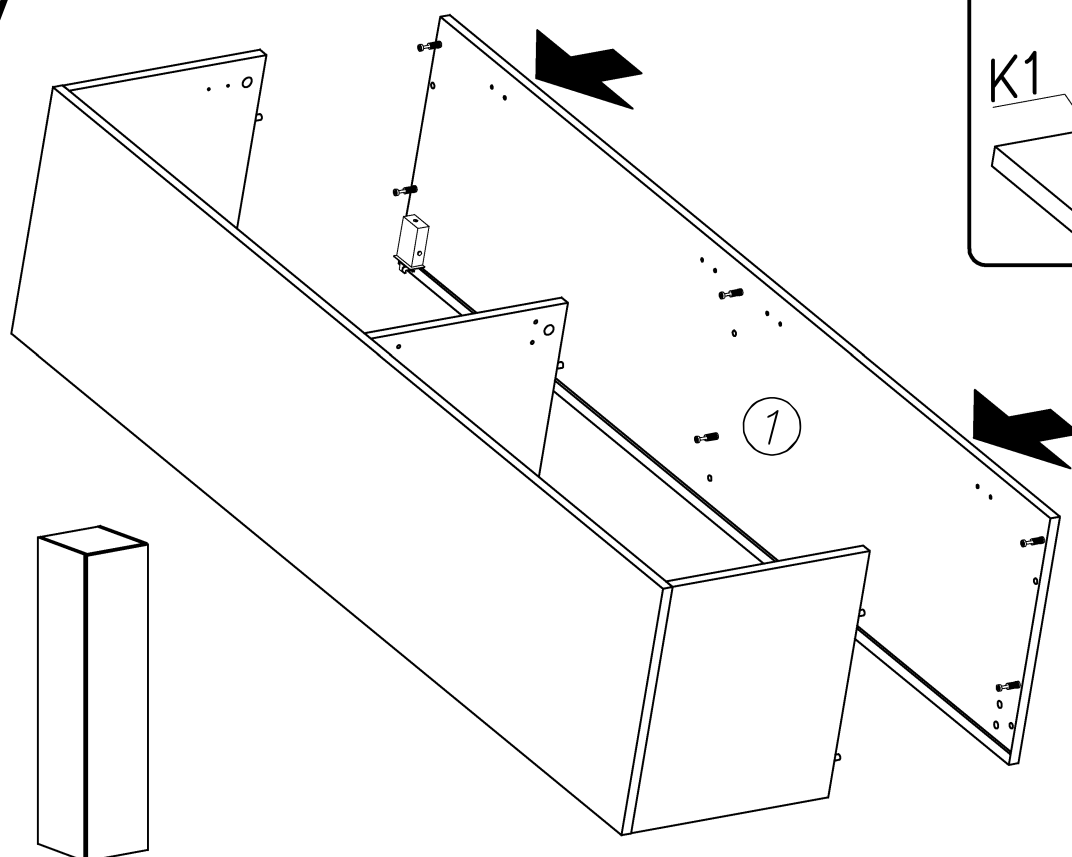
# II

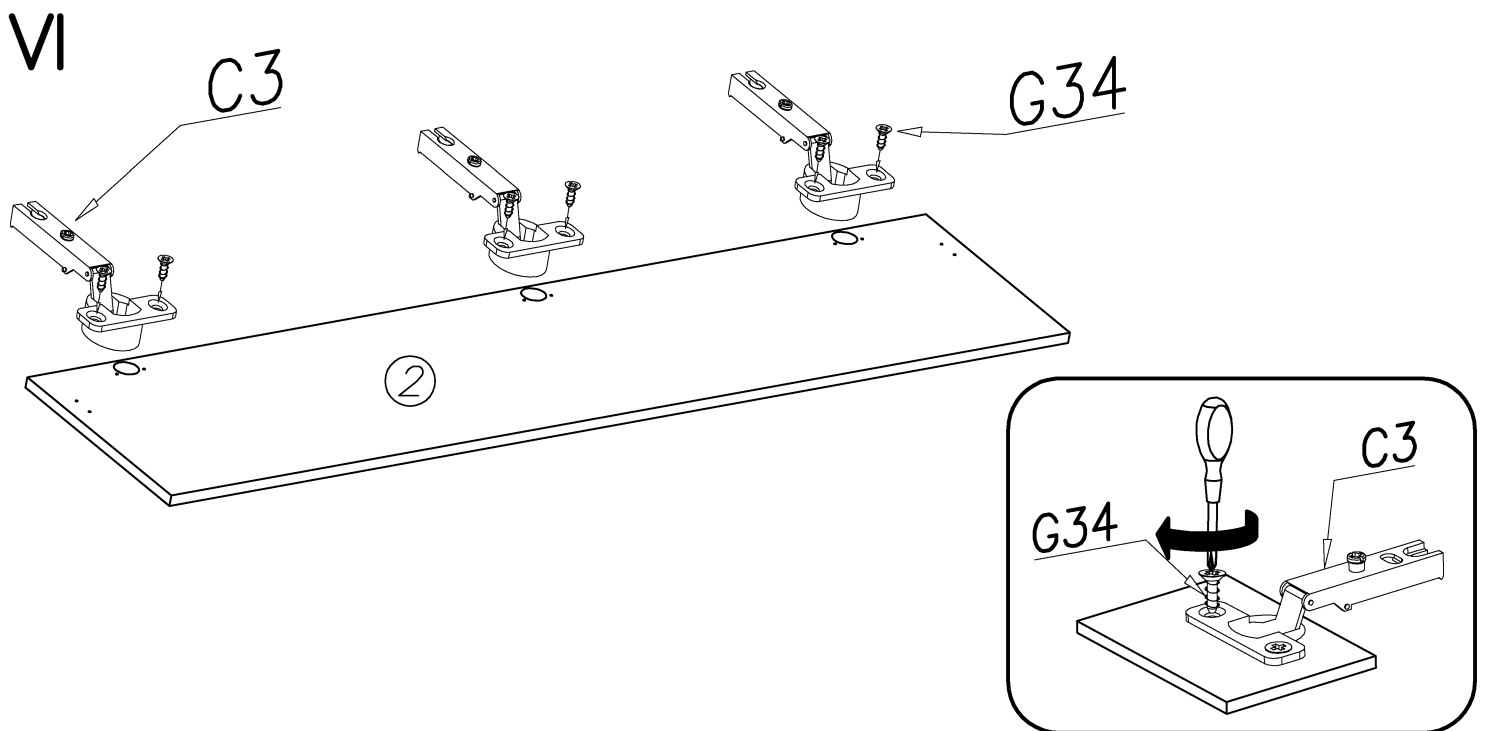
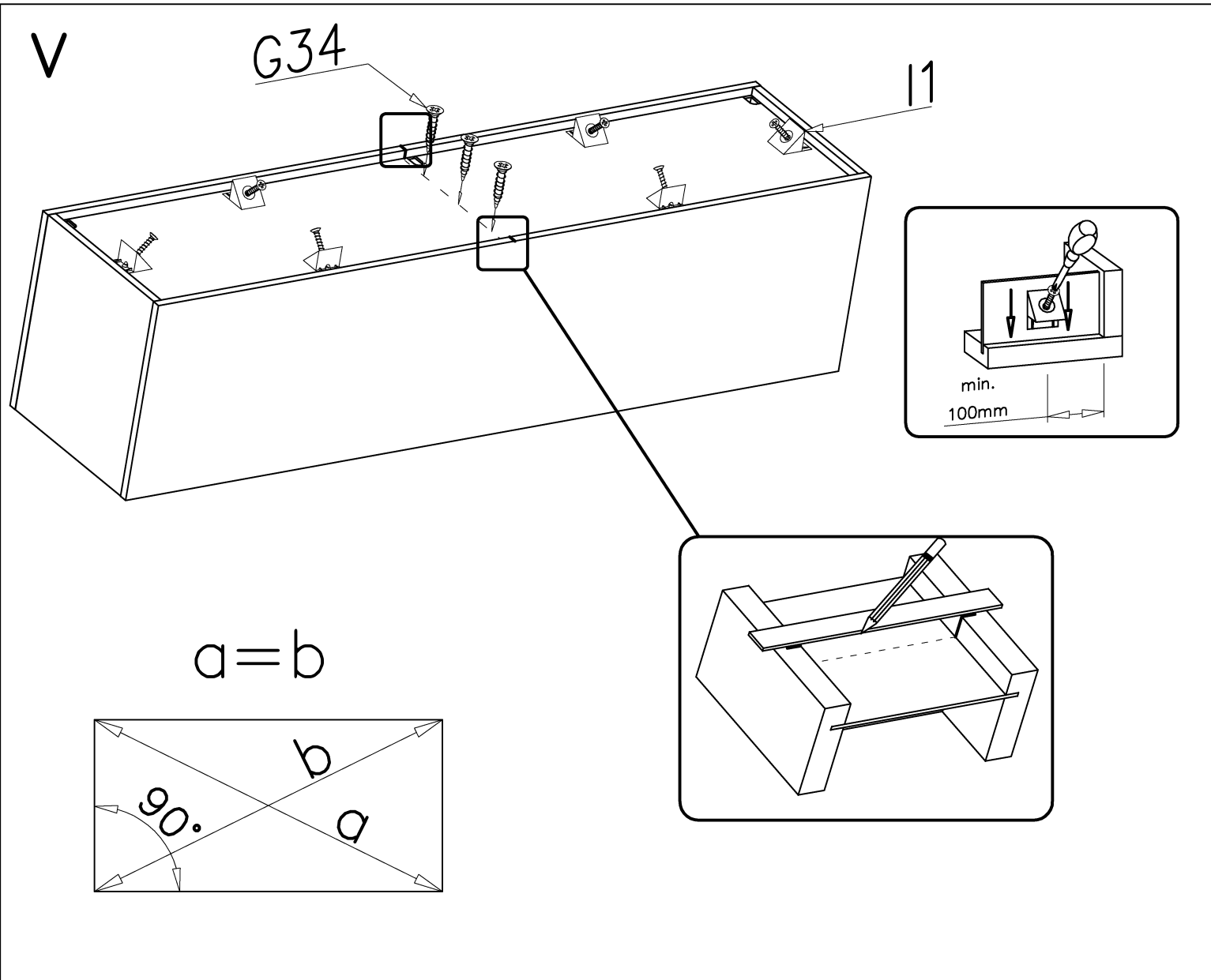


III

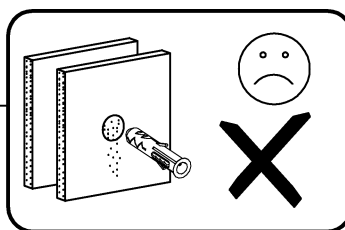
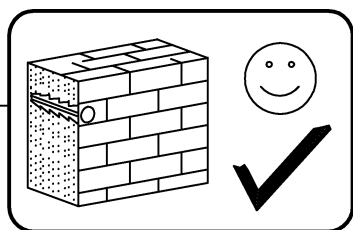
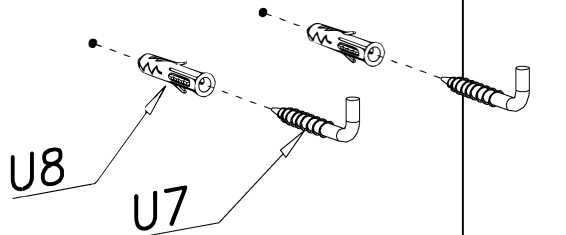
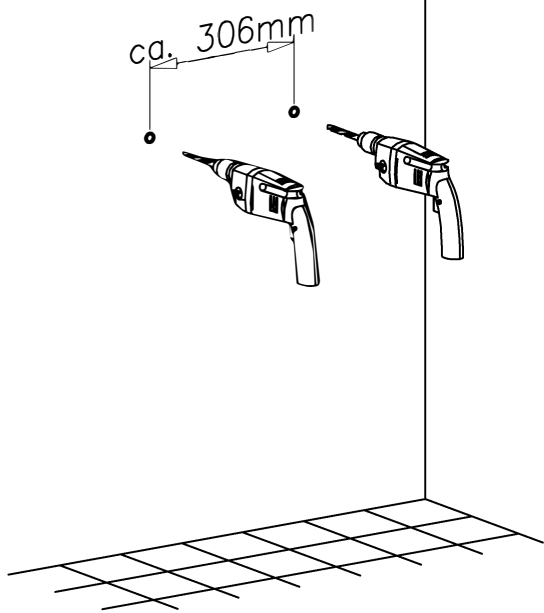
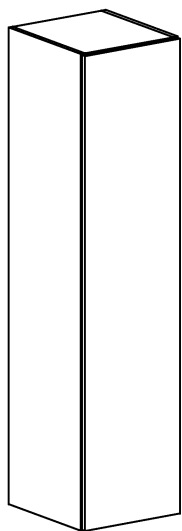


IV

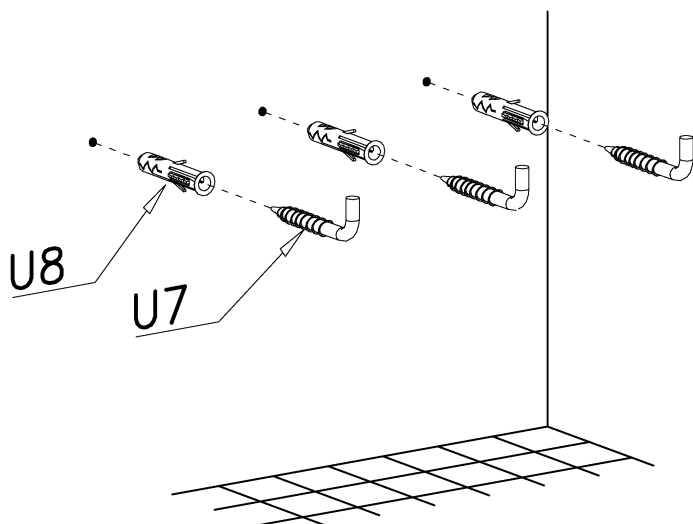
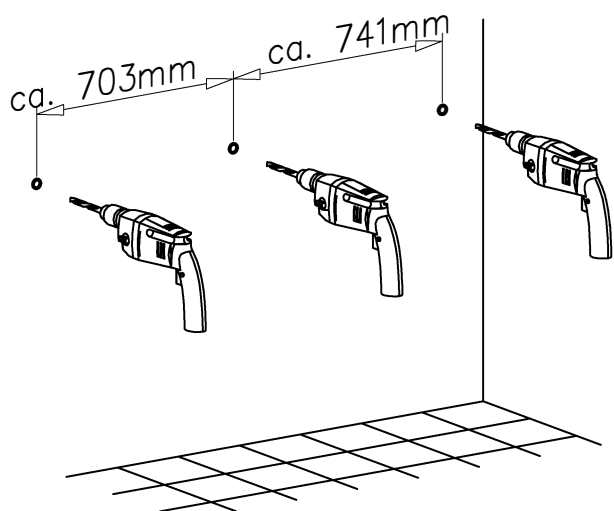
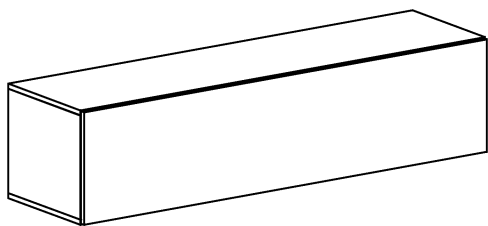




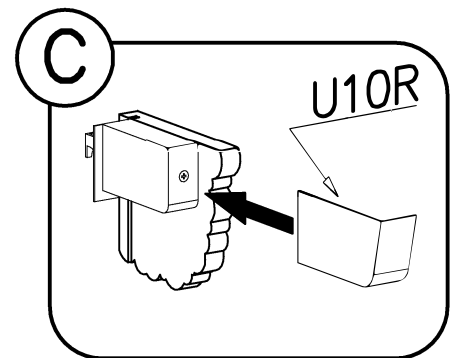
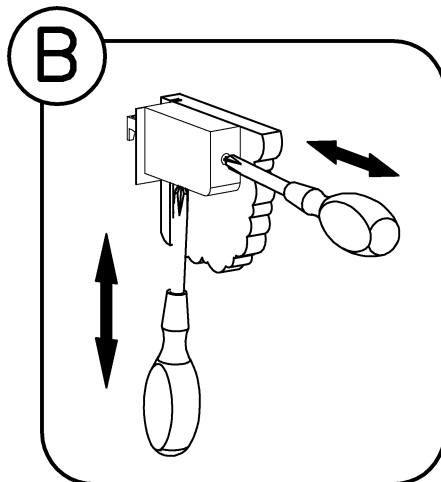
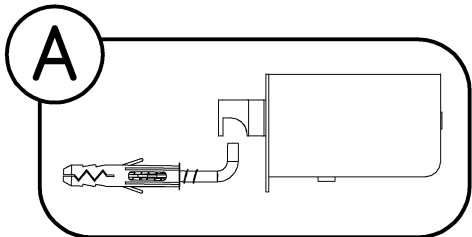
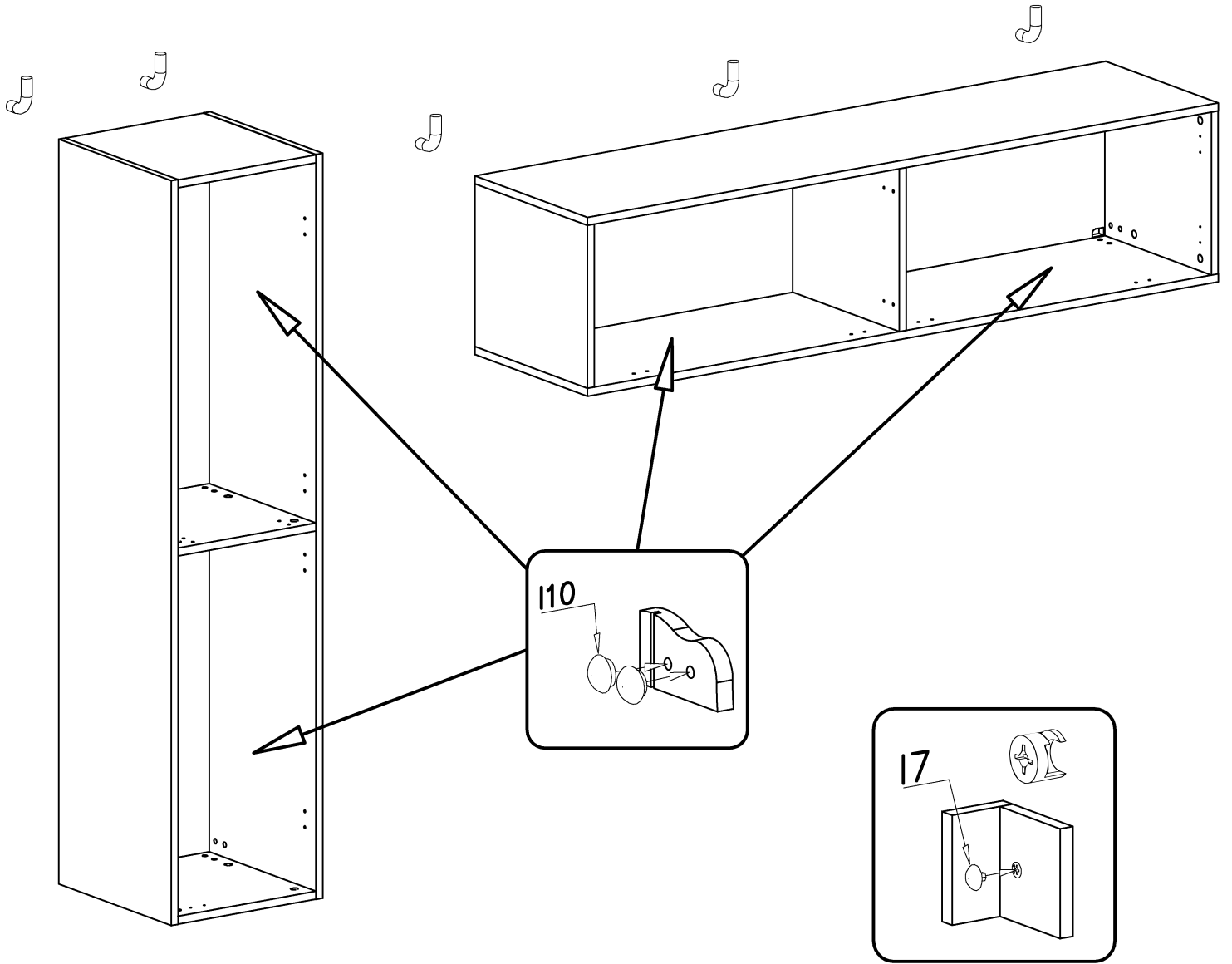
# VII



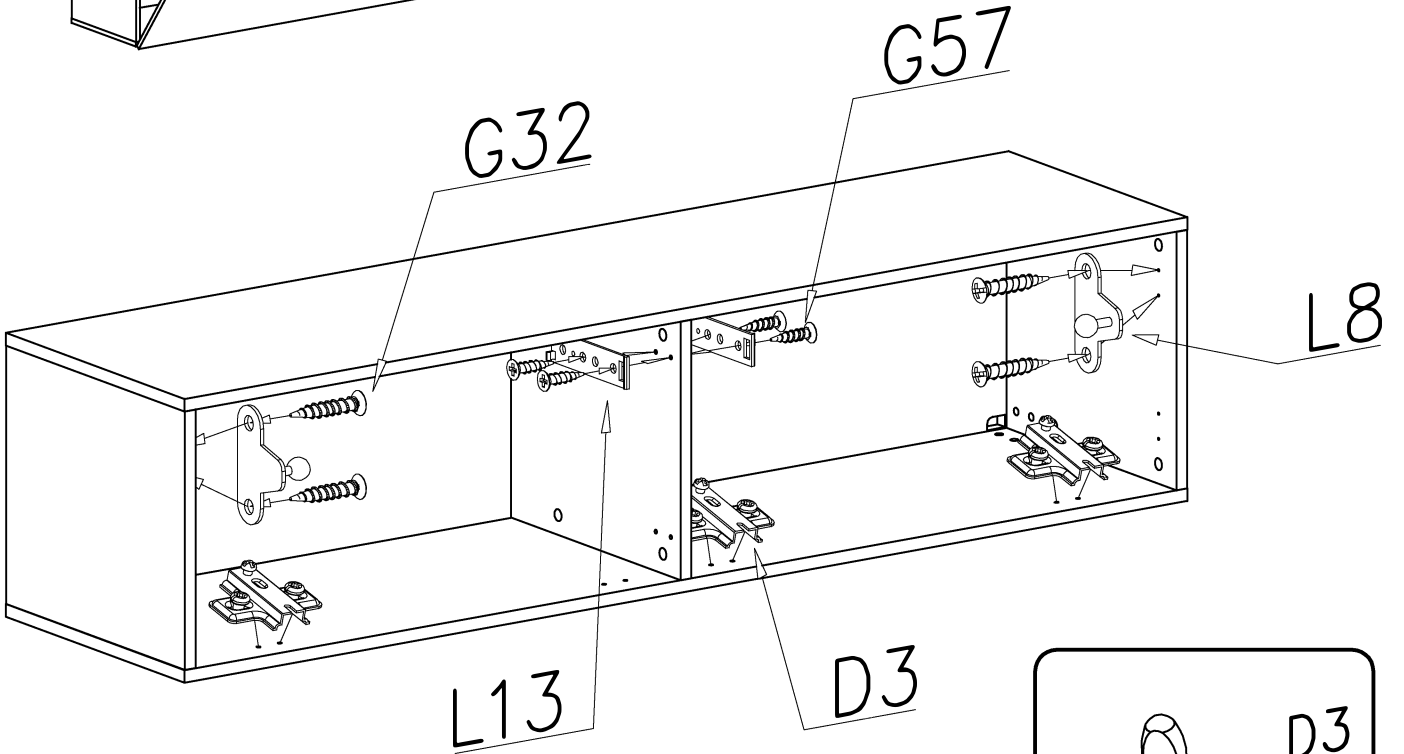
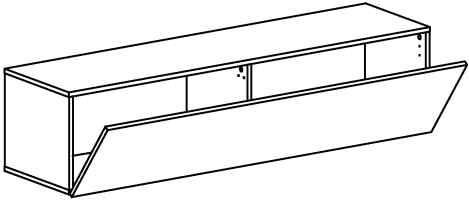
# VII



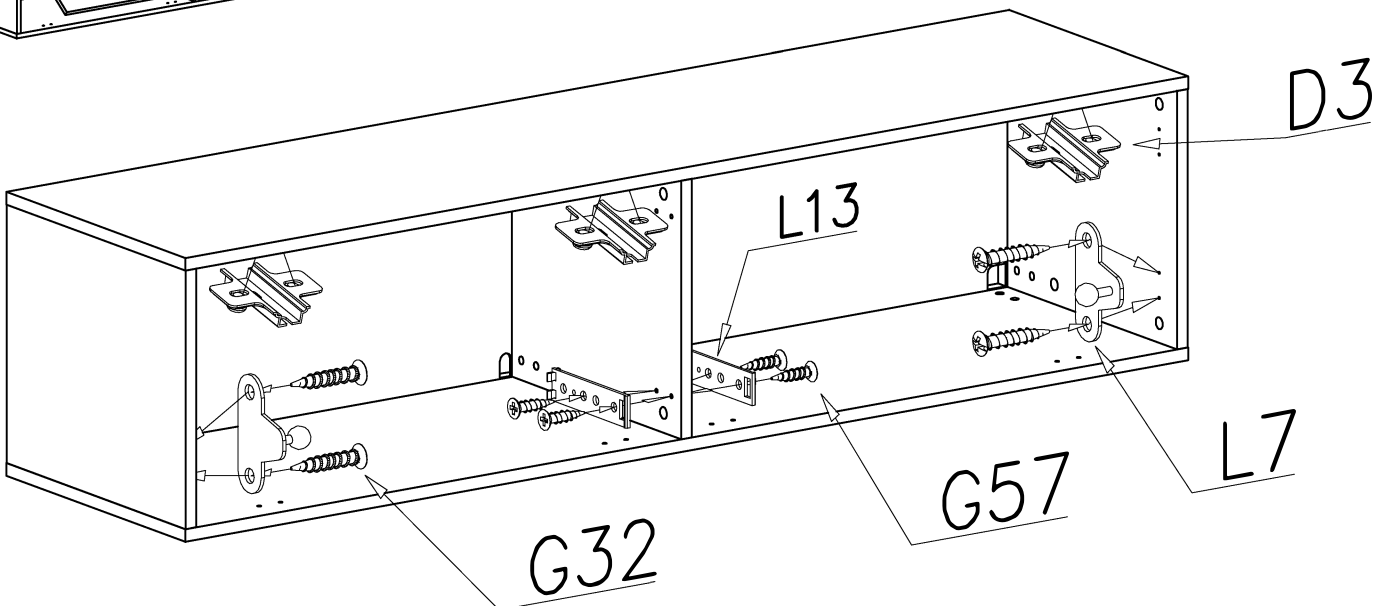
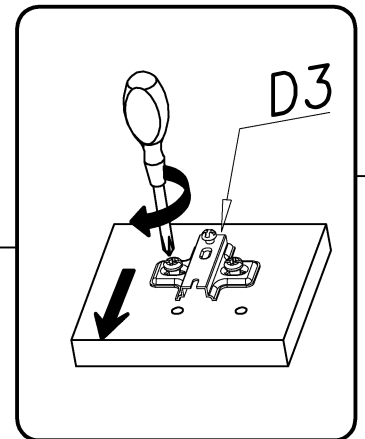
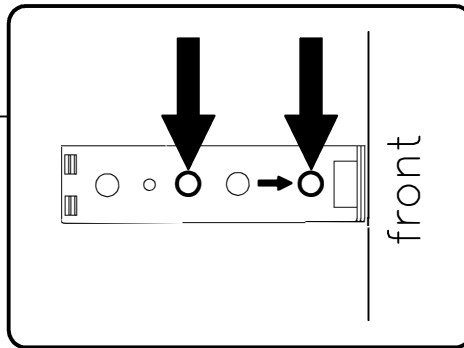
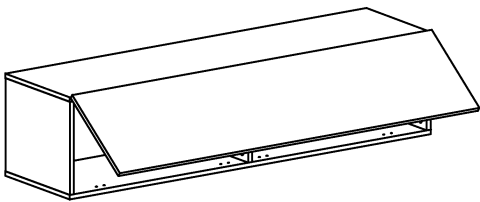
# VIII



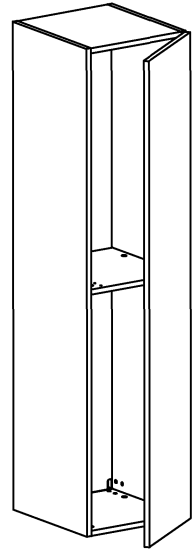
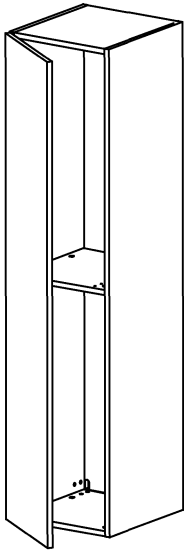
IX



IX

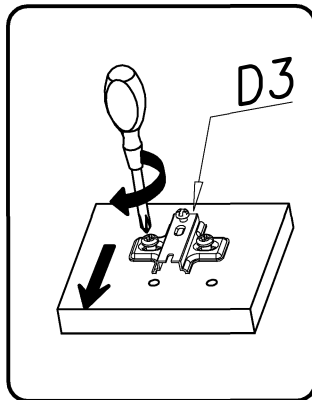
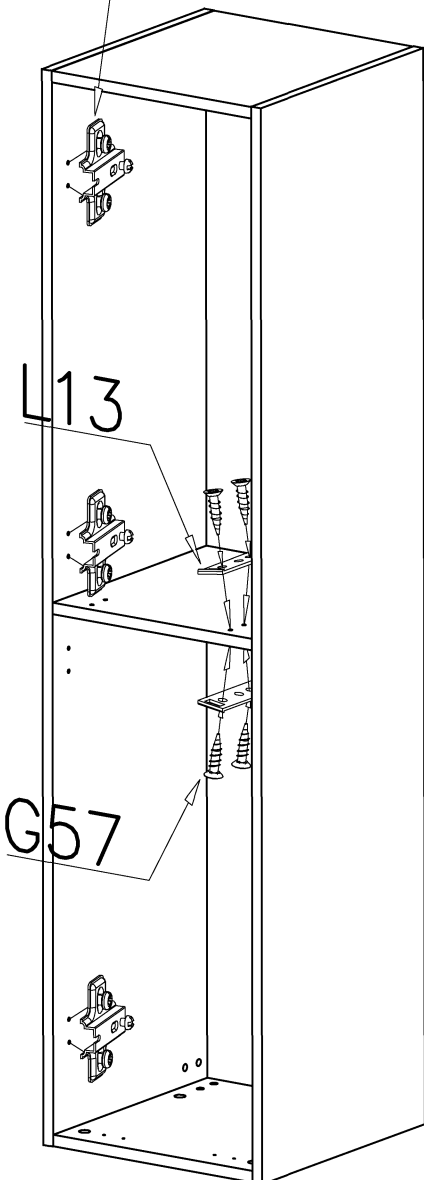
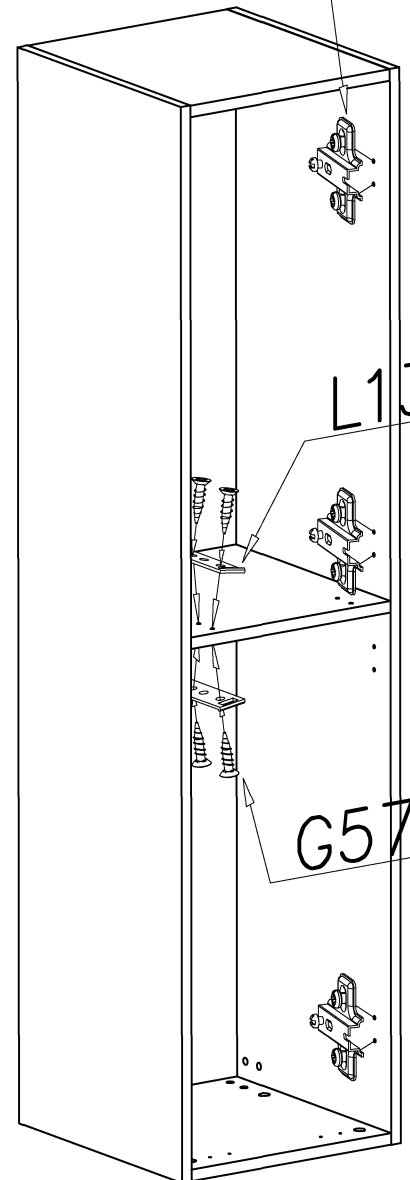
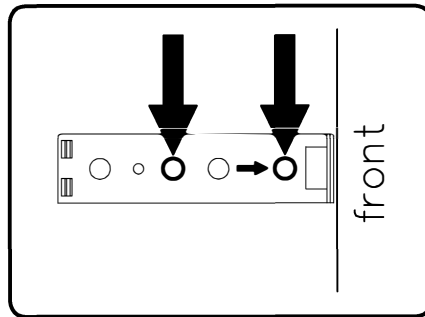


# IX



D3

D3



D3

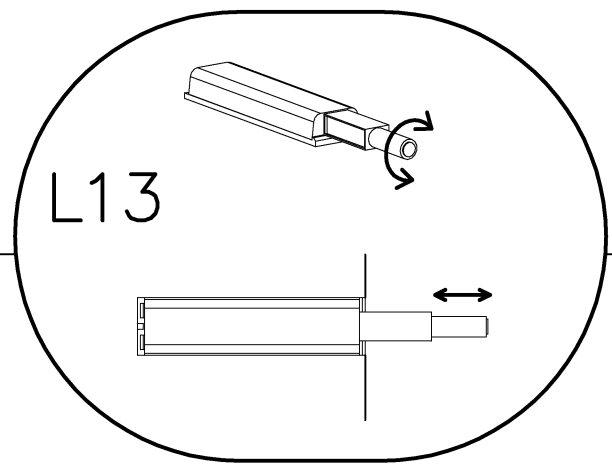
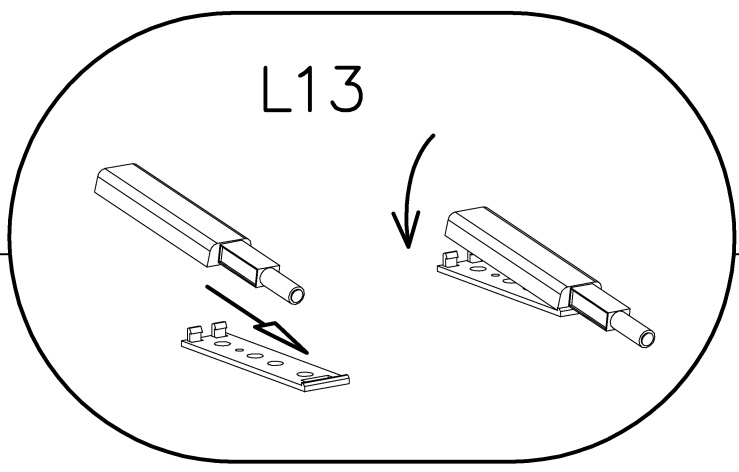
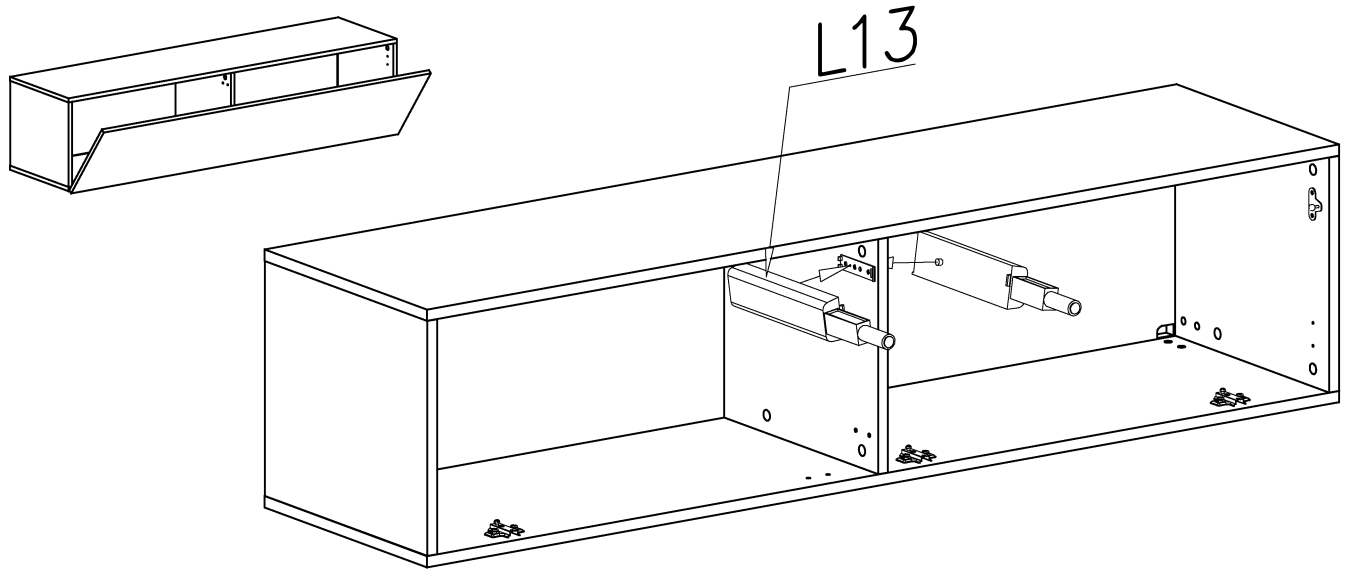
G57

G57

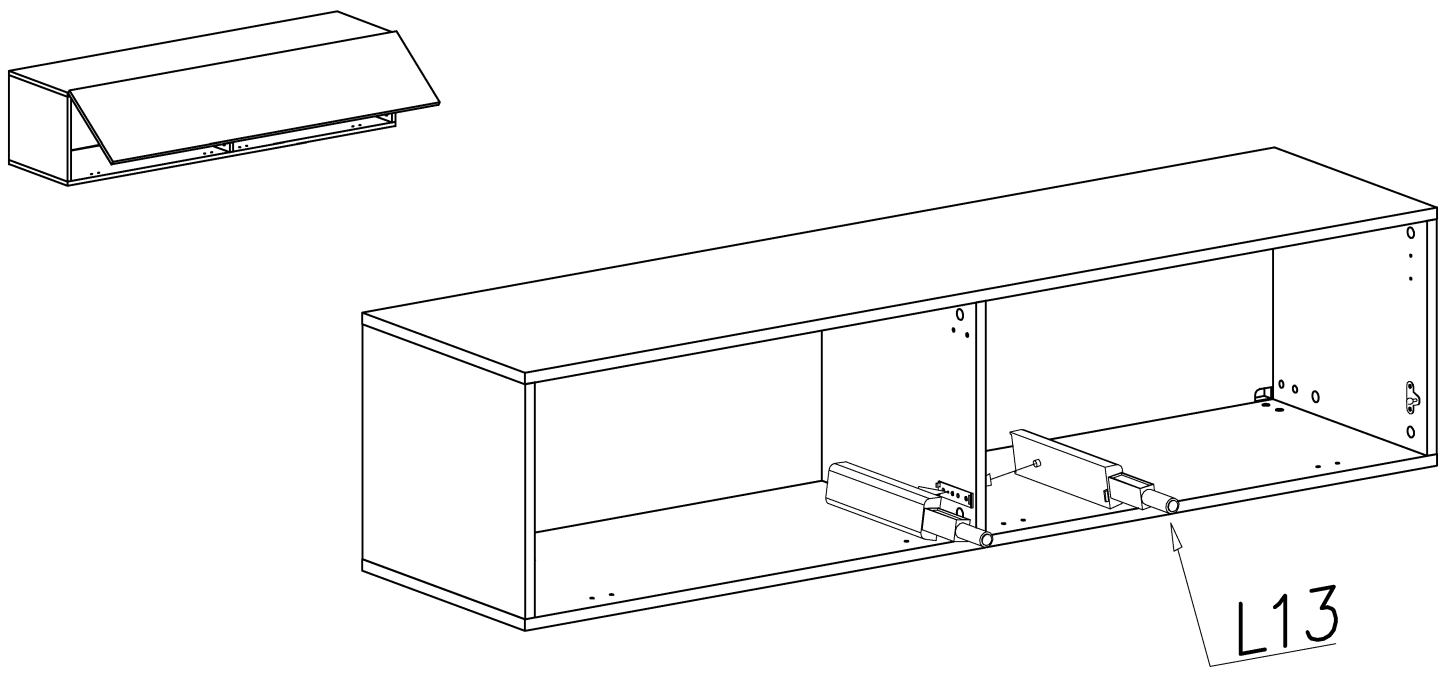
L13

L13

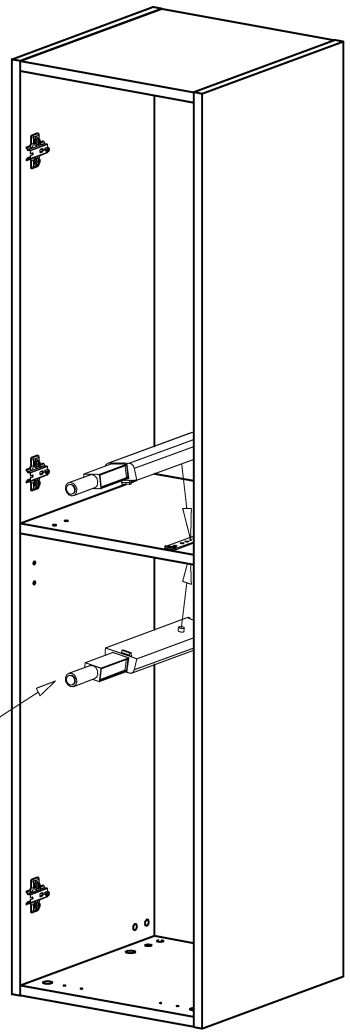
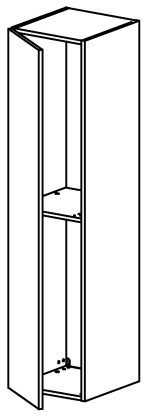
X



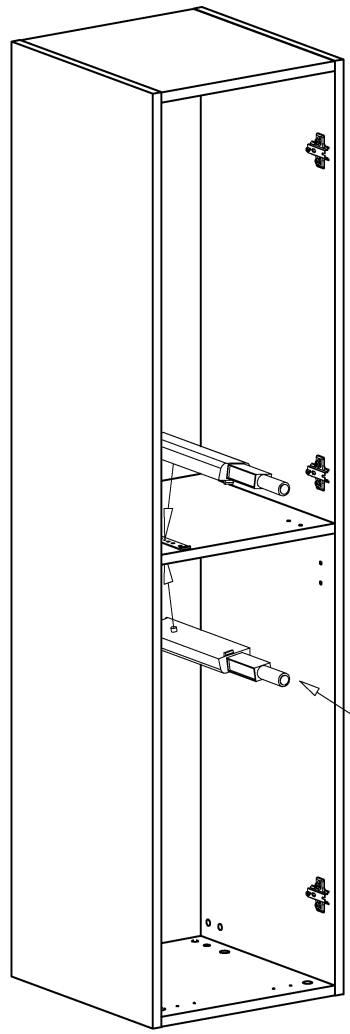
X



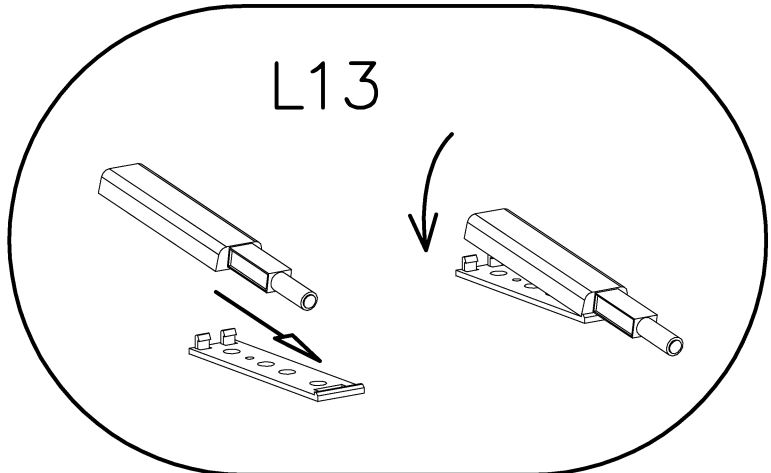
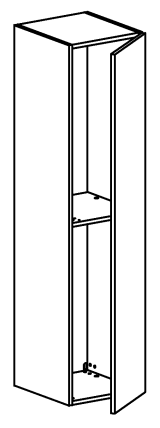
X



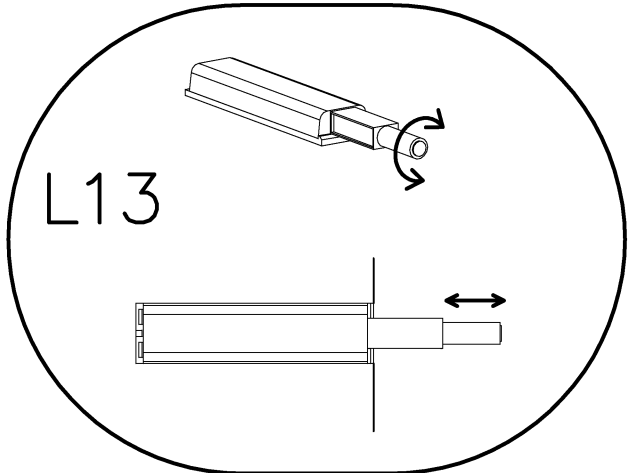
L13



L13

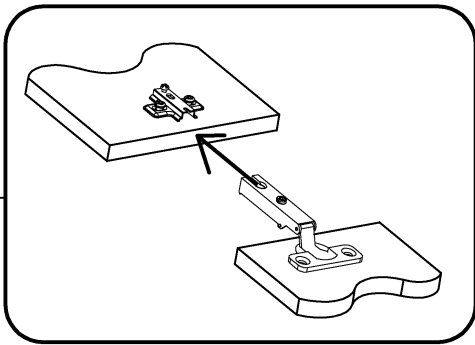
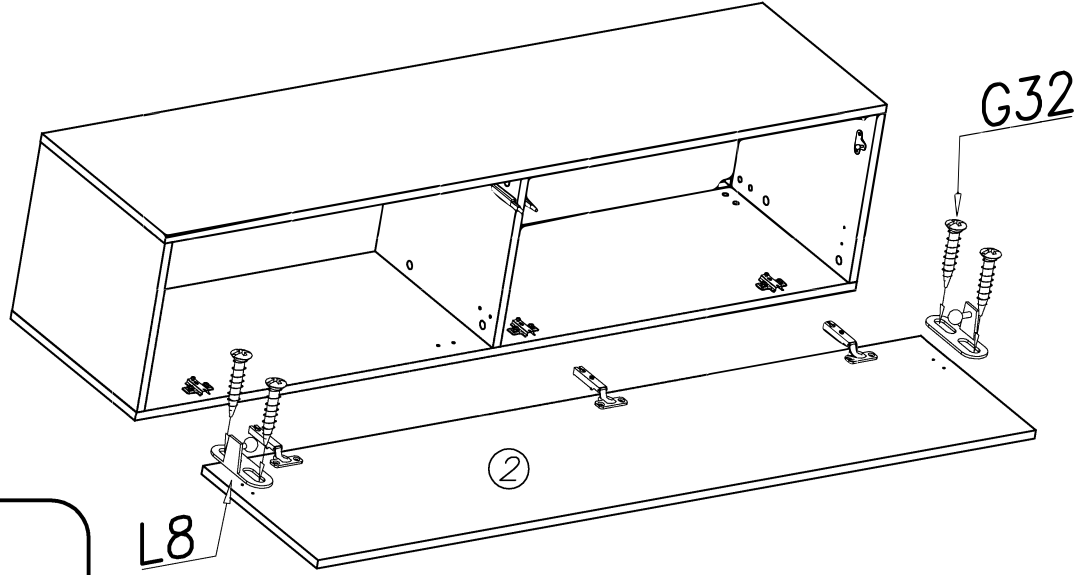
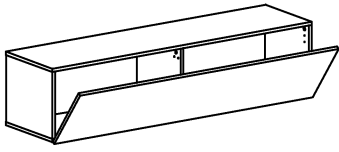


L13

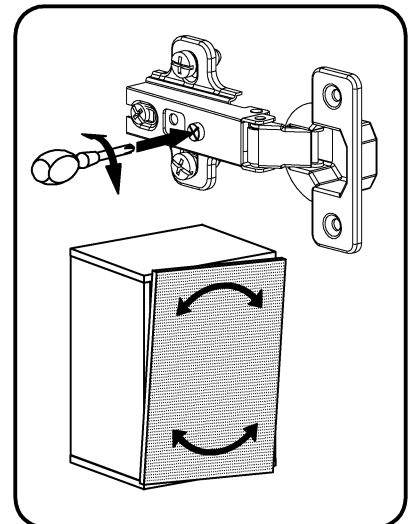
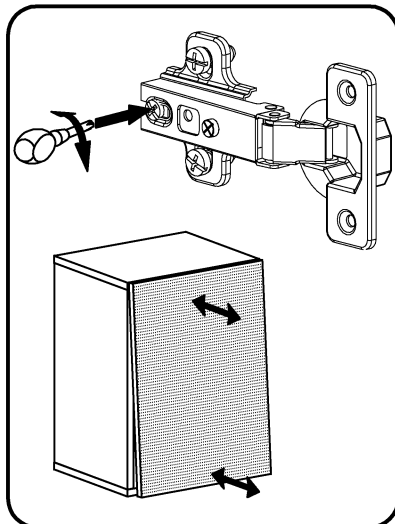
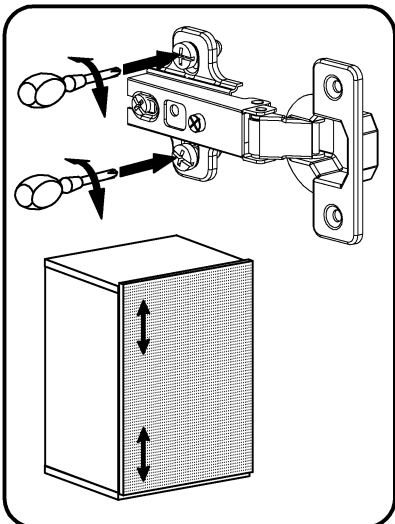
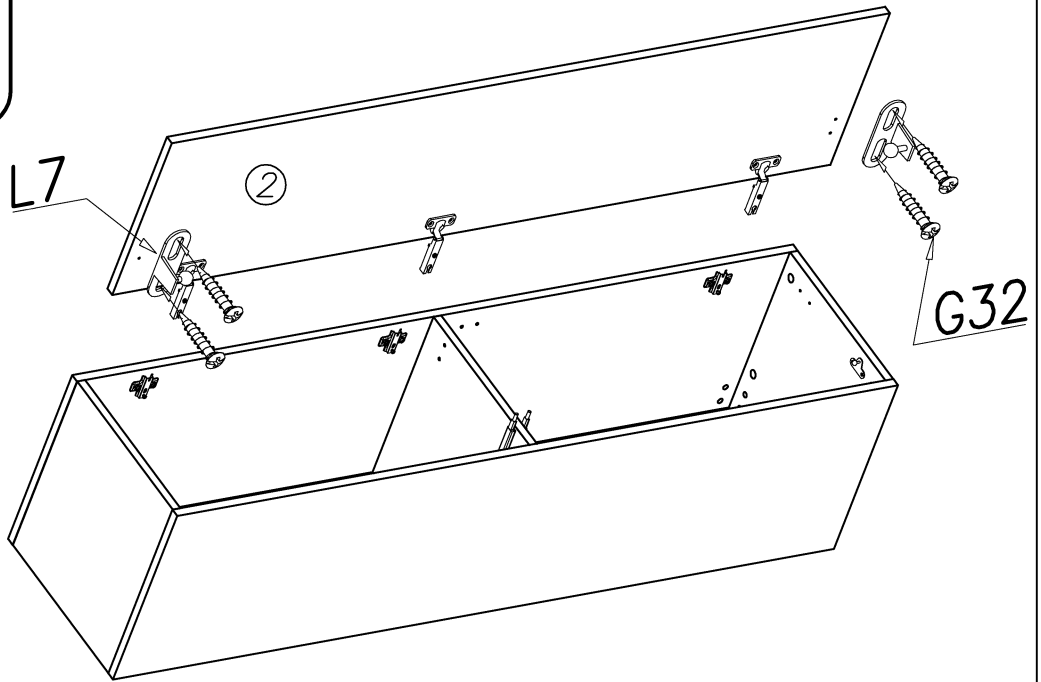
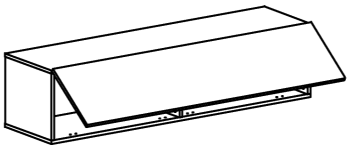


L13

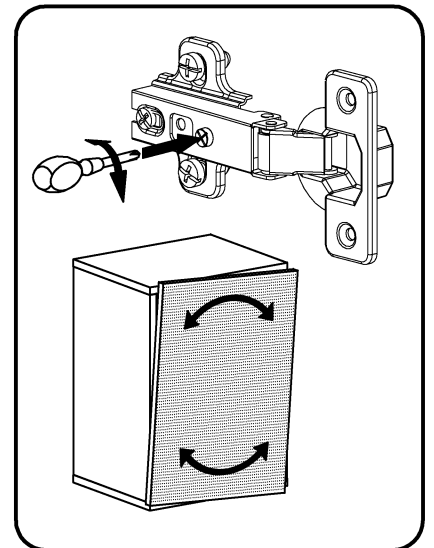
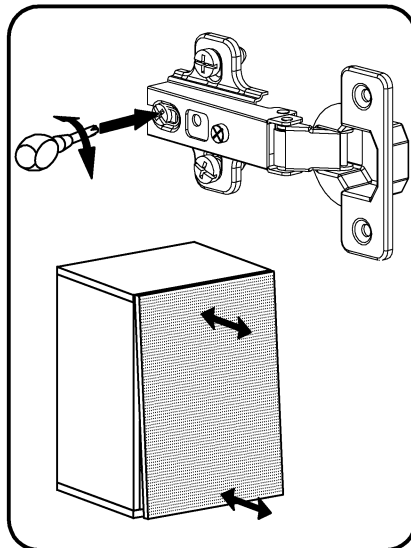
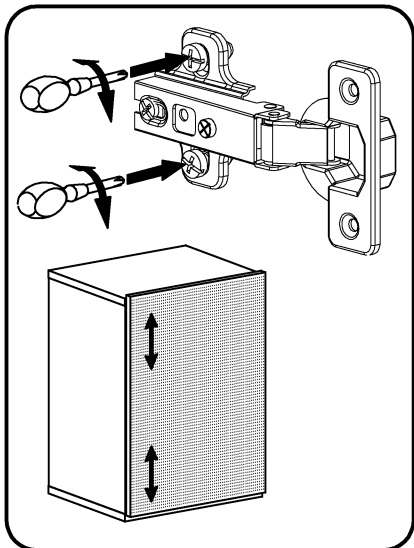
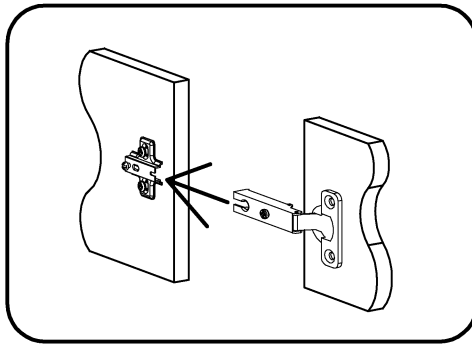
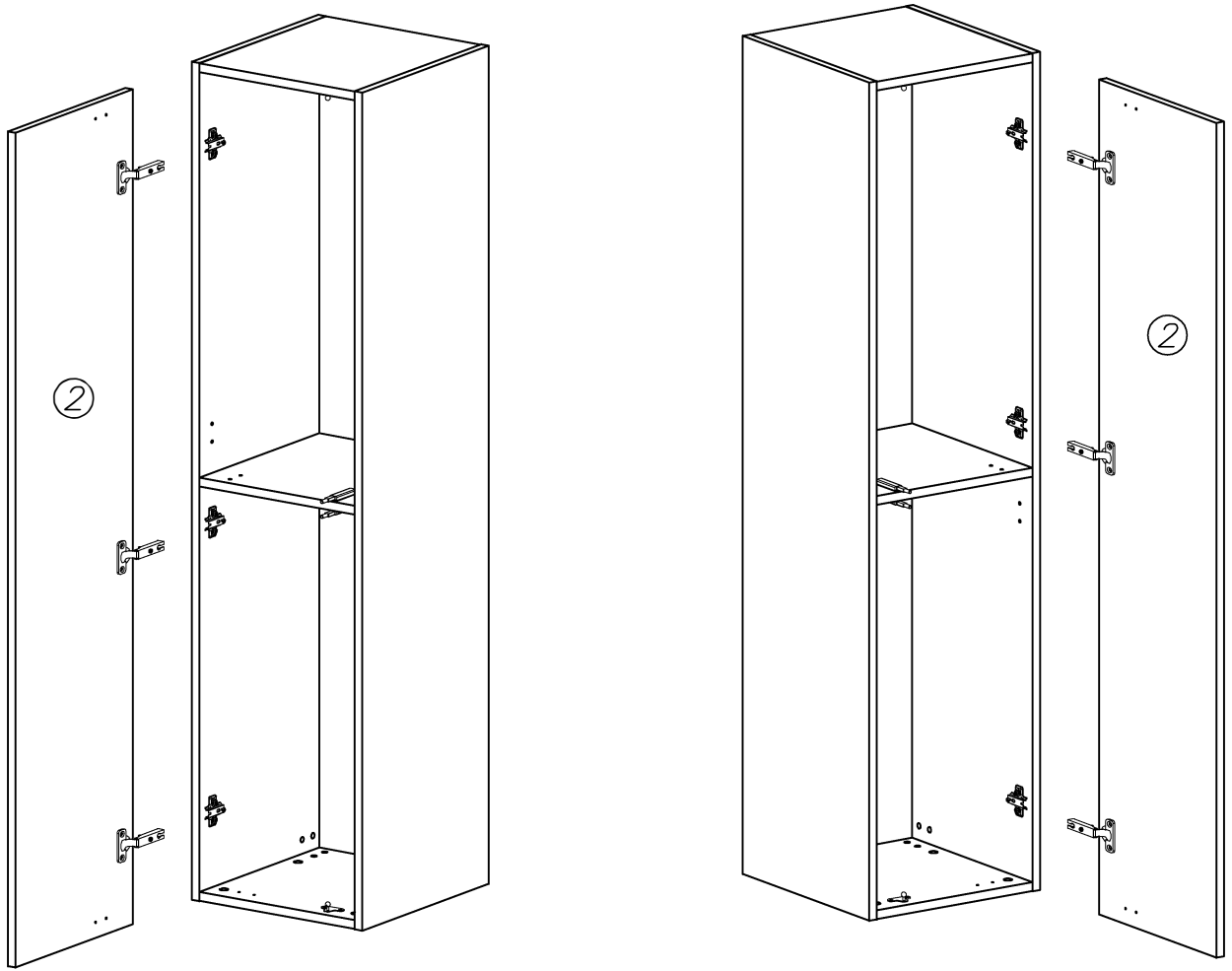
XI



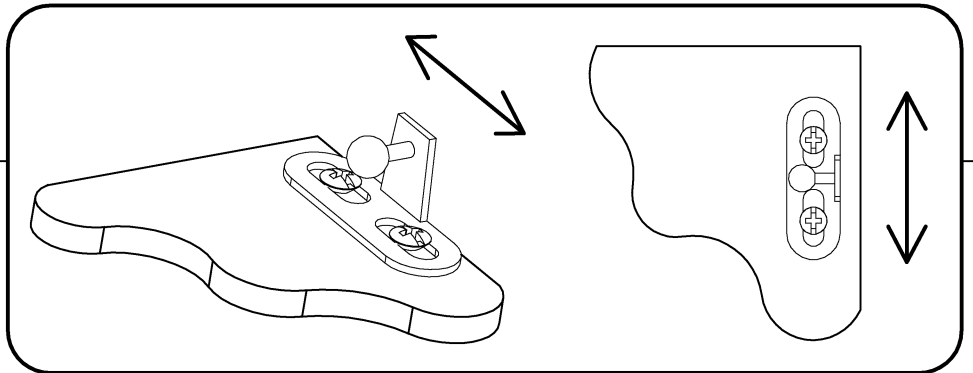
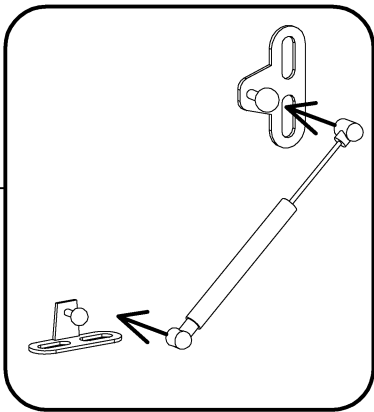
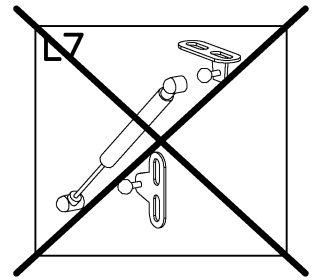
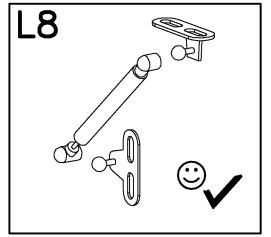
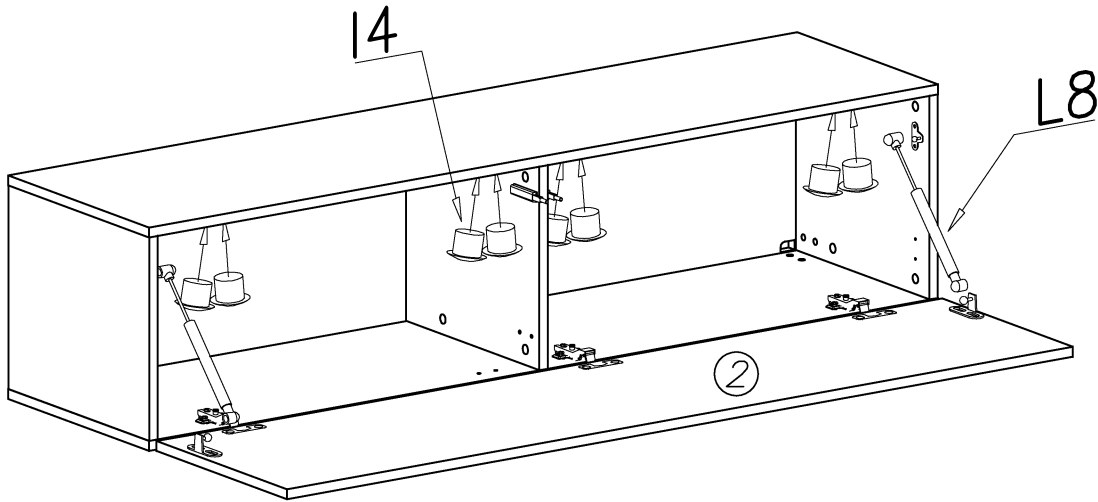
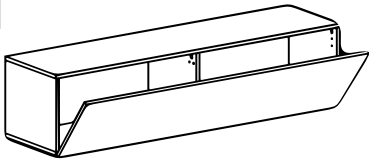
XI



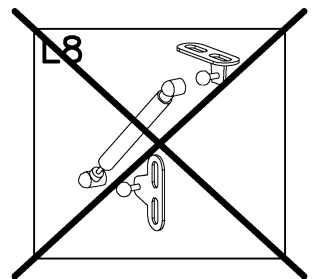
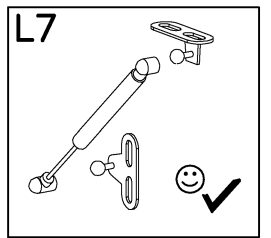
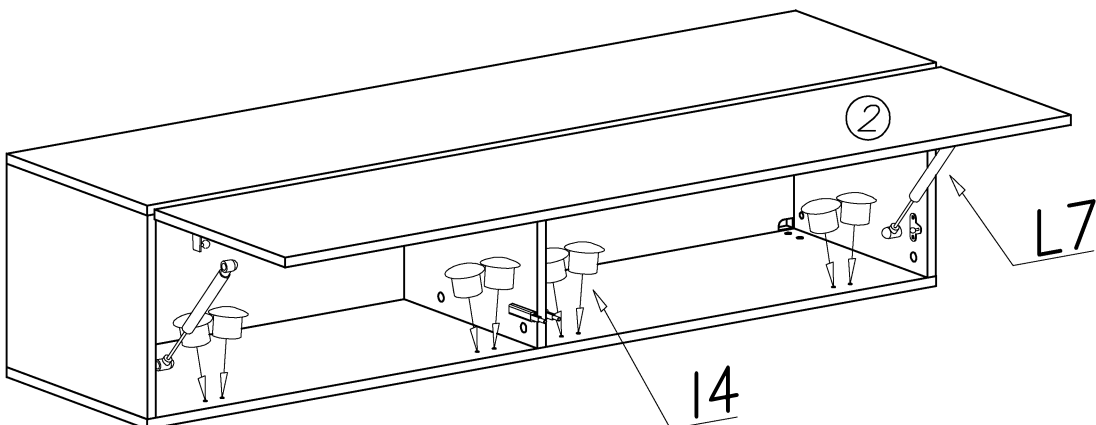
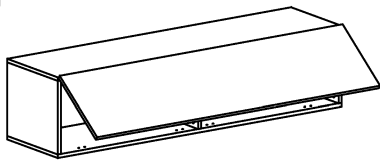
# XI



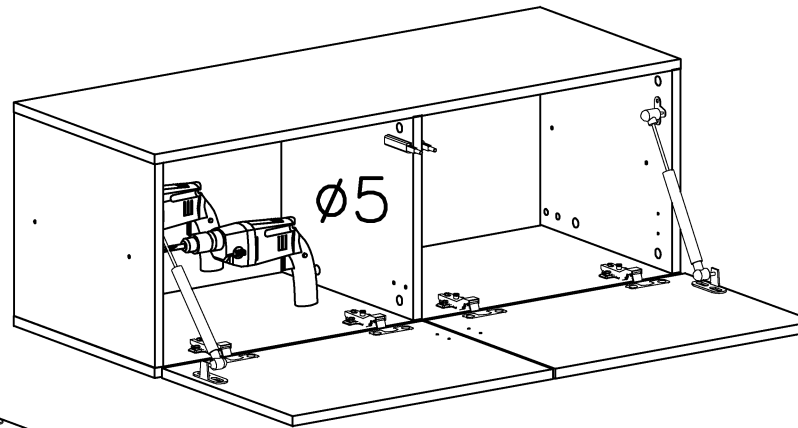
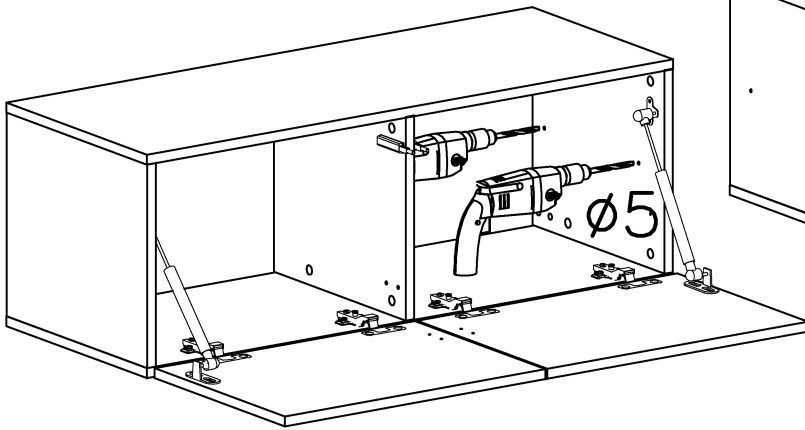
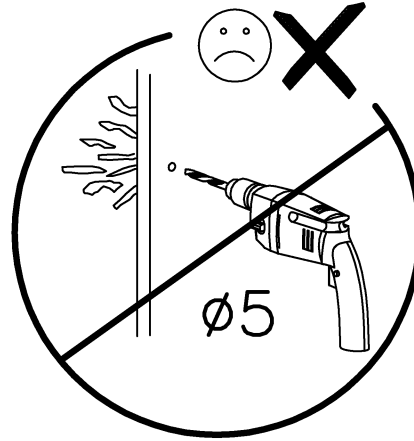
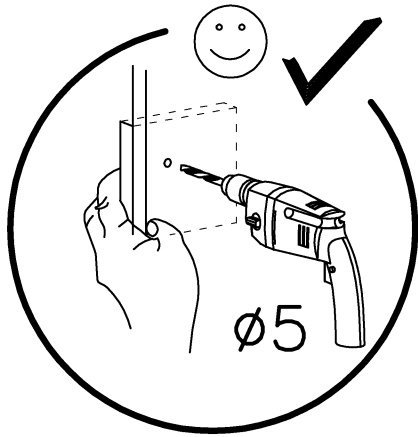
XII



XII



# XIII



# XIV

