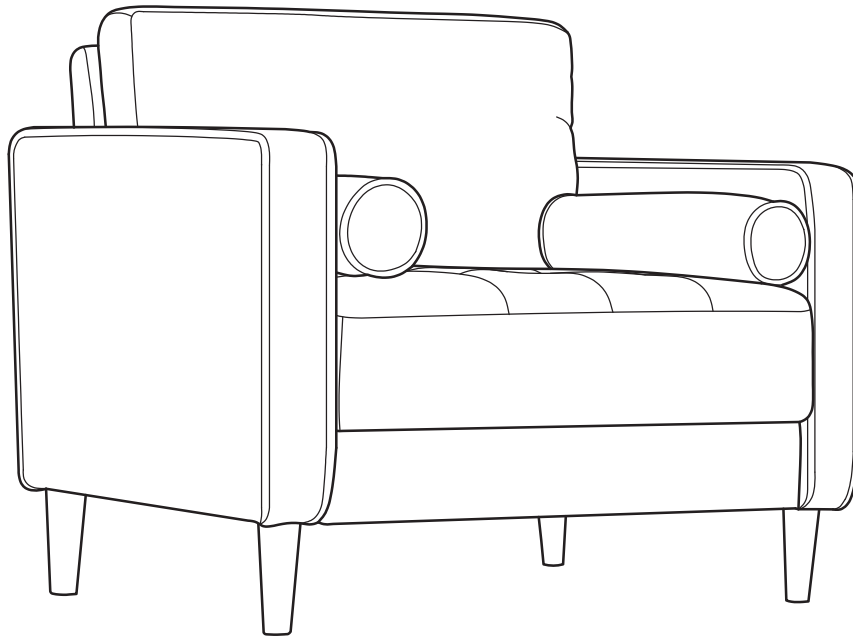


ASSEMBLY INSTRUCTIONS



DO NOT RETURN PRODUCT TO THE STORE

individual stores do not stock parts.

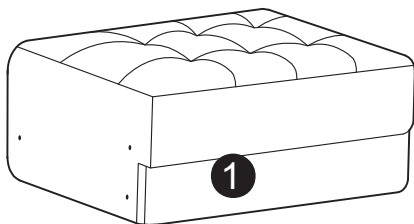
If a part is missing or damaged, call our toll - free customer service line.

For prompt, reliable service; please have your assembly manual ready.

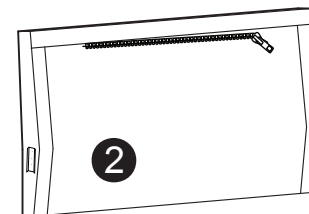
WARNING

- This product has been designed for seating one (1) average adult. To prevent injury and damage to this unit, PROHIBIT jumping on it.
 - This product is designed for home use and not intended for commercial use.
 - Children under the age of 5, small infants and babies should not sleep alone on this product for safety reasons.
 - Recommended # of people needed for handling: 2 (however it is always better to have an extra hand.)
 - THIS INSTRUCTION BOOKLET CONTAINS **IMPORTANT** SAFETY INFORMATION. PLEASE READ AND KEEP FOR FUTURE REFERENCE.
-

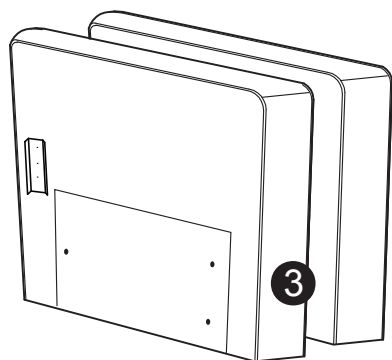
PARTS



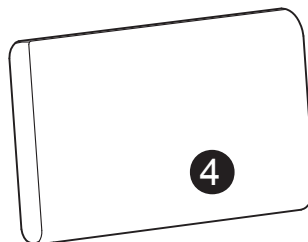
Seat Body
QTY:1



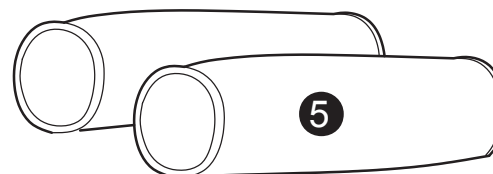
Backrest
QTY:1



Arm
QTY:1 Pair



Back Cushion
QTY:2

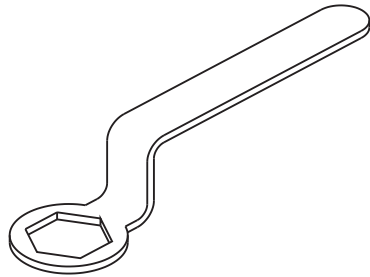


Pillow
QTY:2



Leg
QTY:4

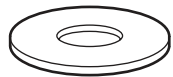
HARDWARE



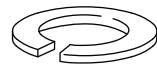
A
Spanner
14mm
QTY : 1 PC



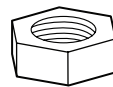
B
Threaded Rod
M8 x 70mm
QTY : 6 PCS



C
Washer
M8 x 22mm
QTY : 6 PCS



D
Spring Washer
M8
QTY : 6 PCS

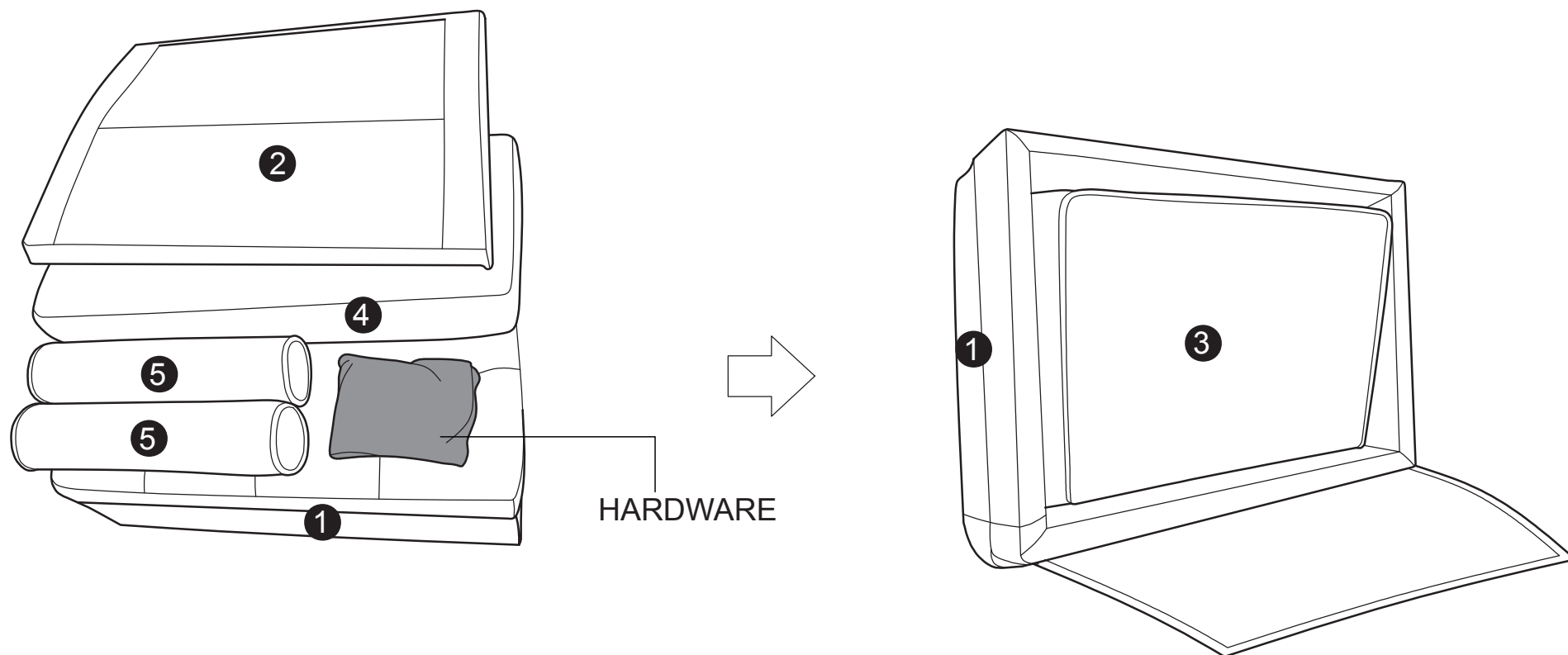


E
Nut
M8
QTY : 6 PCS

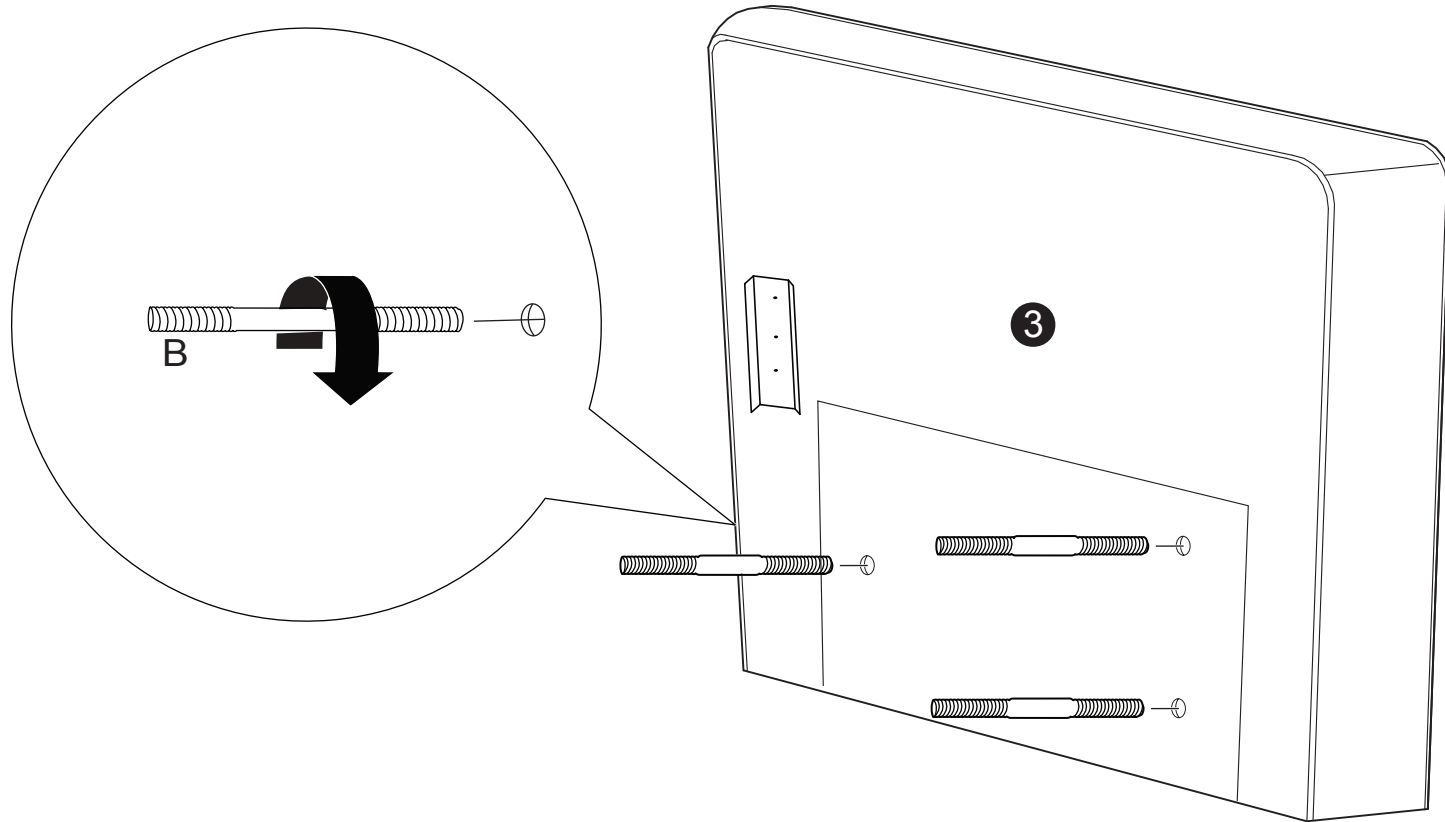
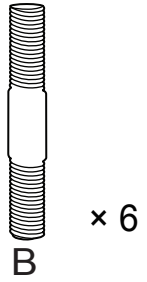


F
Plastic Cap
M8
QTY : 6 PCS

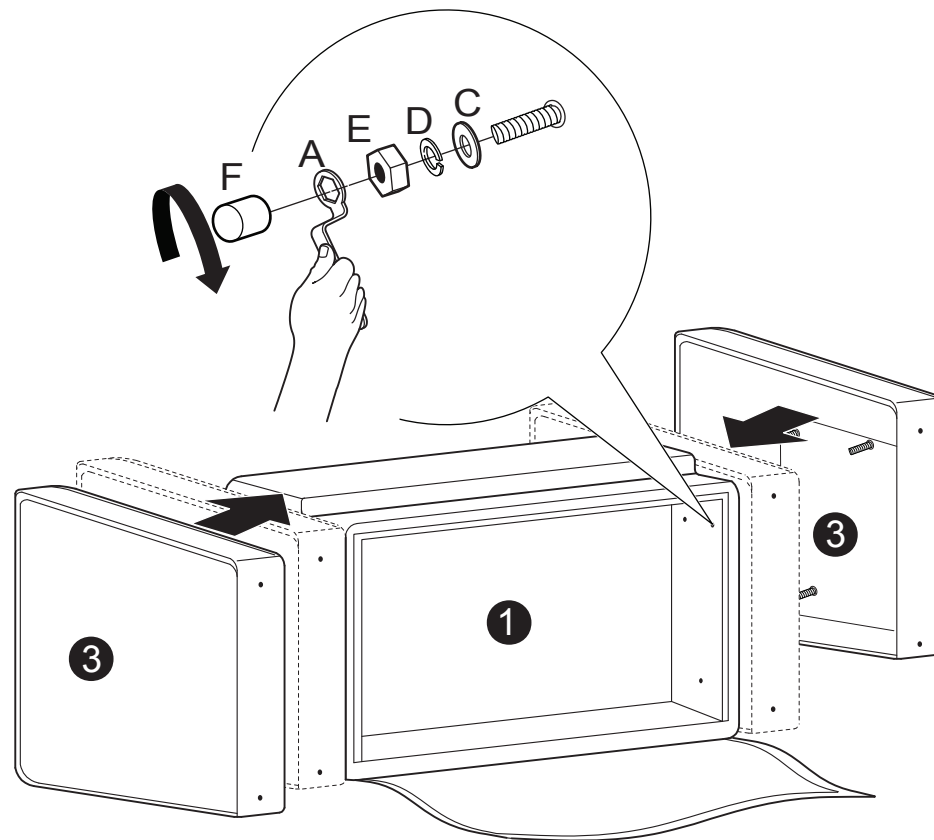
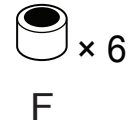
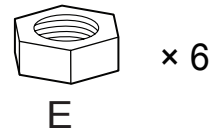
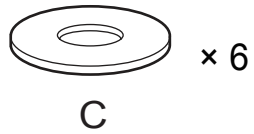
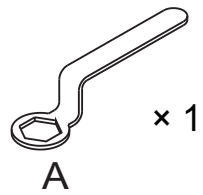
Step 1 :



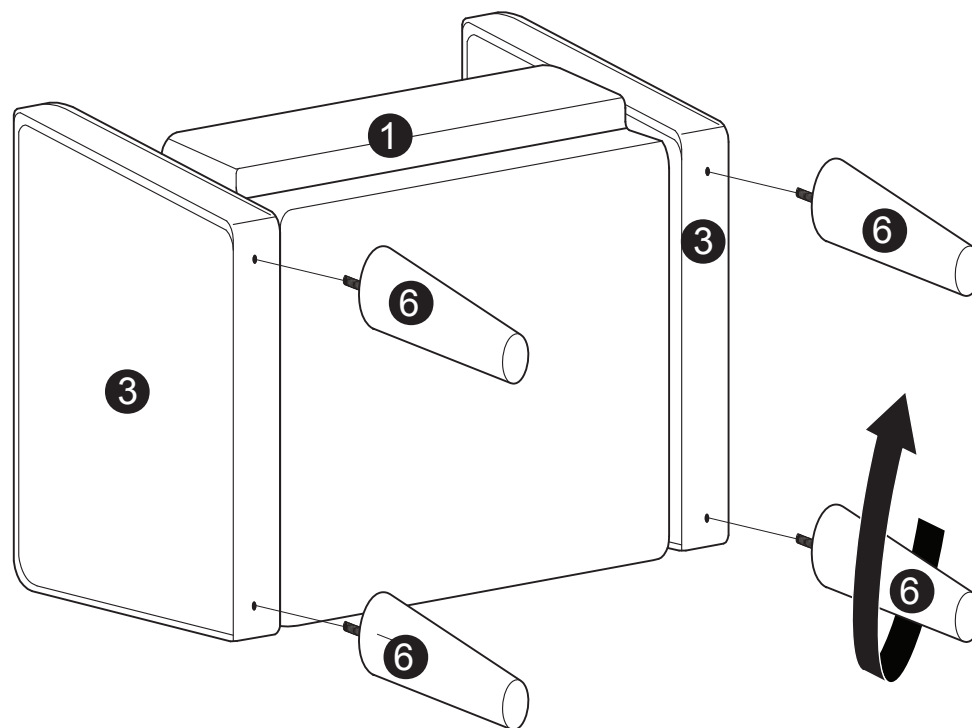
Step 2 :



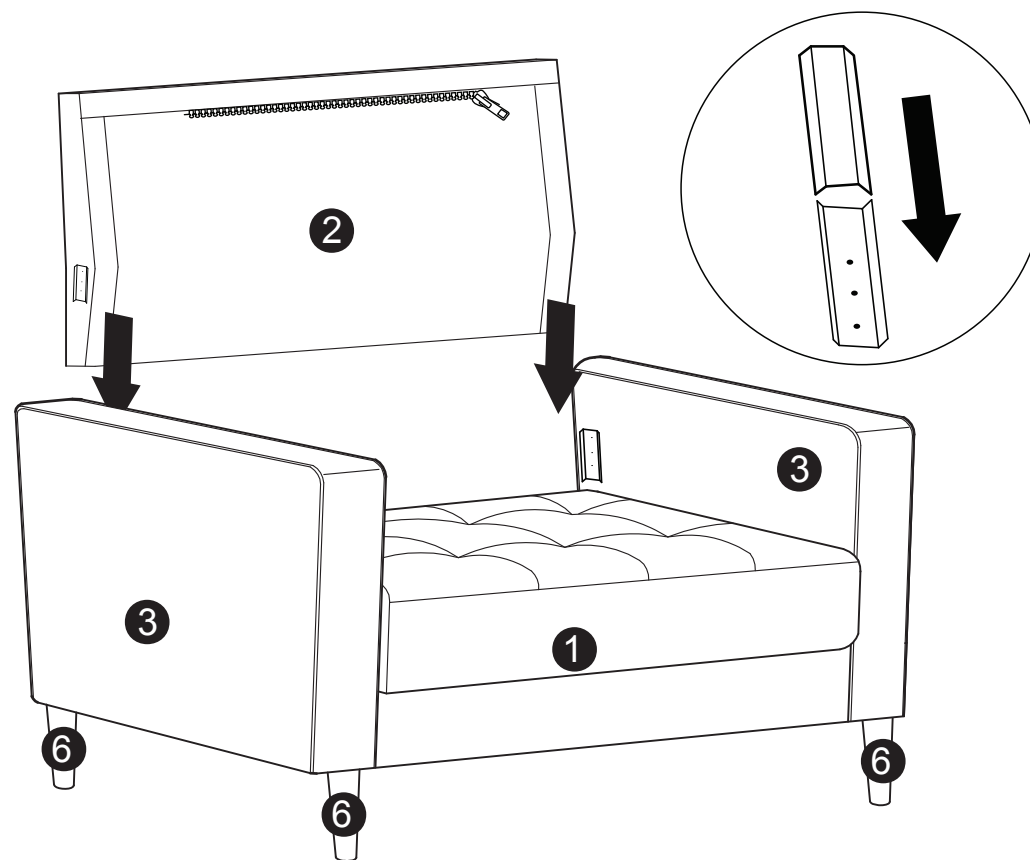
Step 3 :



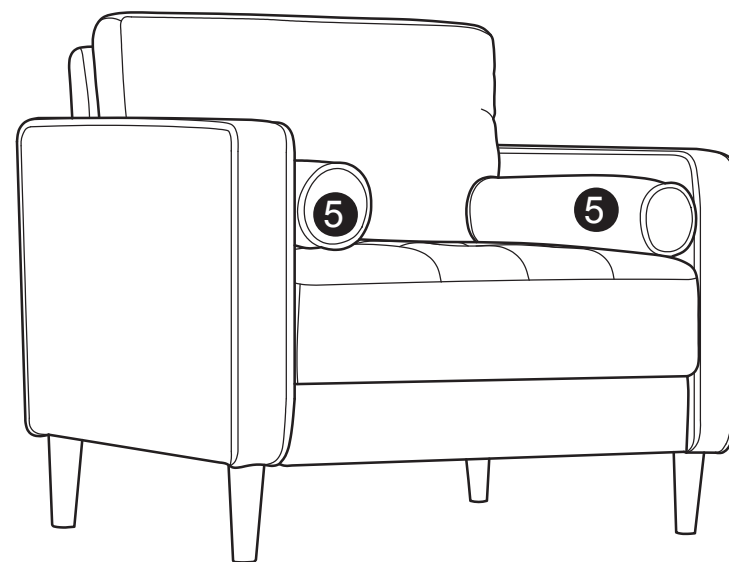
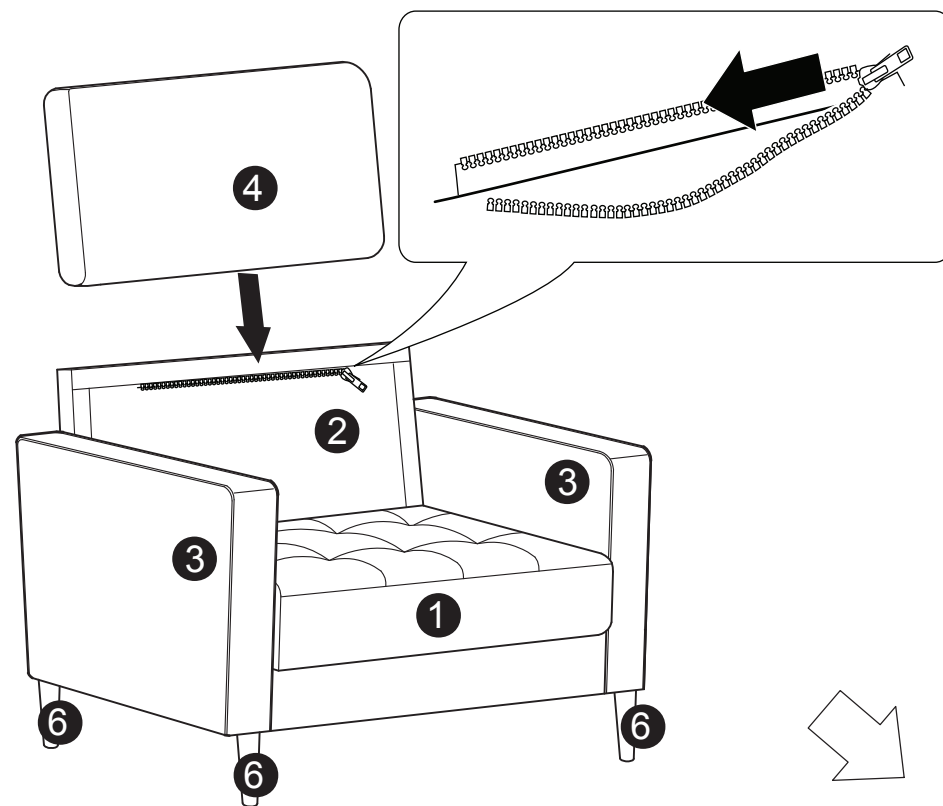
Step 4:



Step 5 :



Step 6 :



INSTALLATION COMPLETE :

