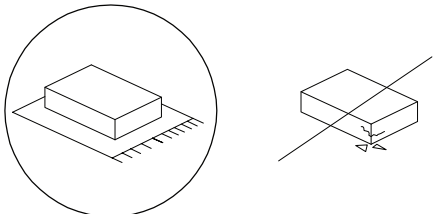

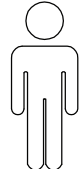
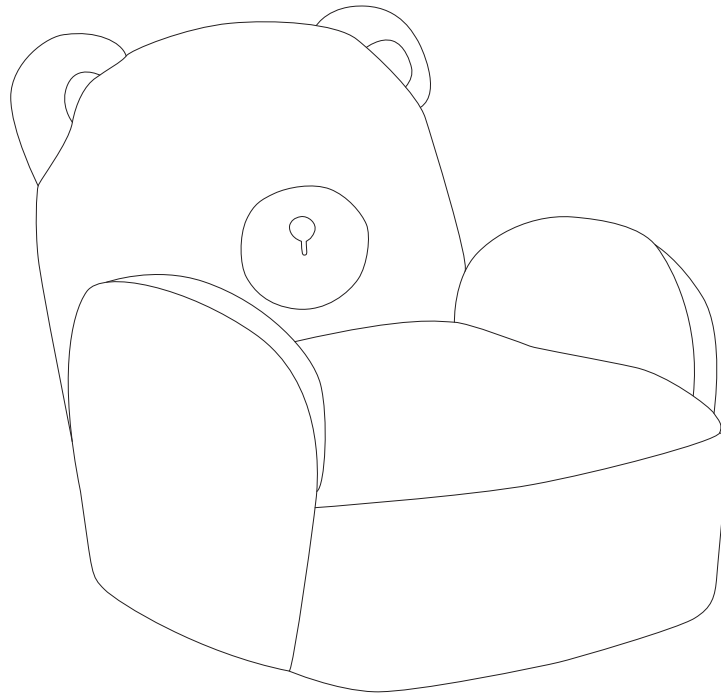
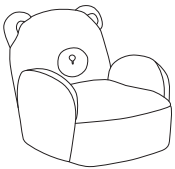
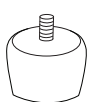



		5'
		
		1

A

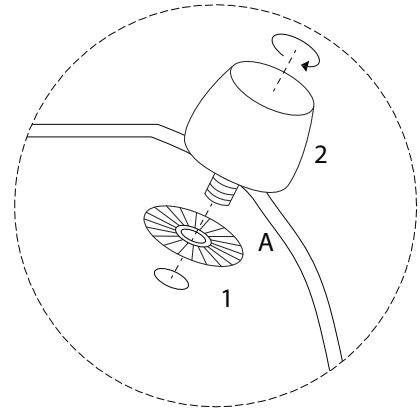
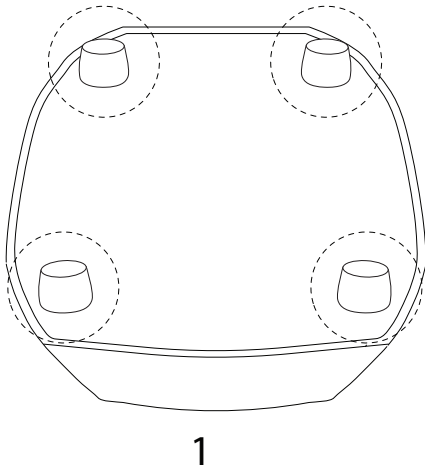
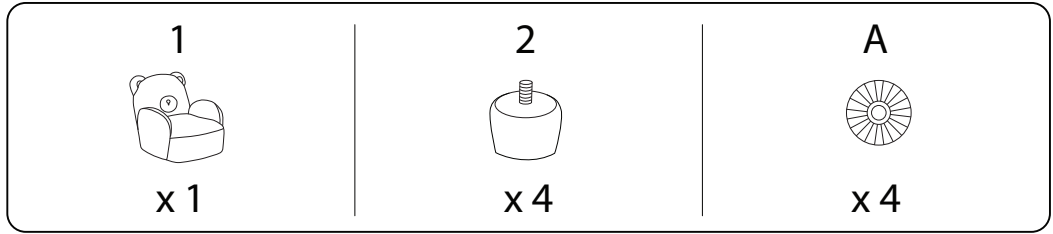


2 x 4



1	2	A	B
			
x 1	x 4	x 4	x 4

1



2

