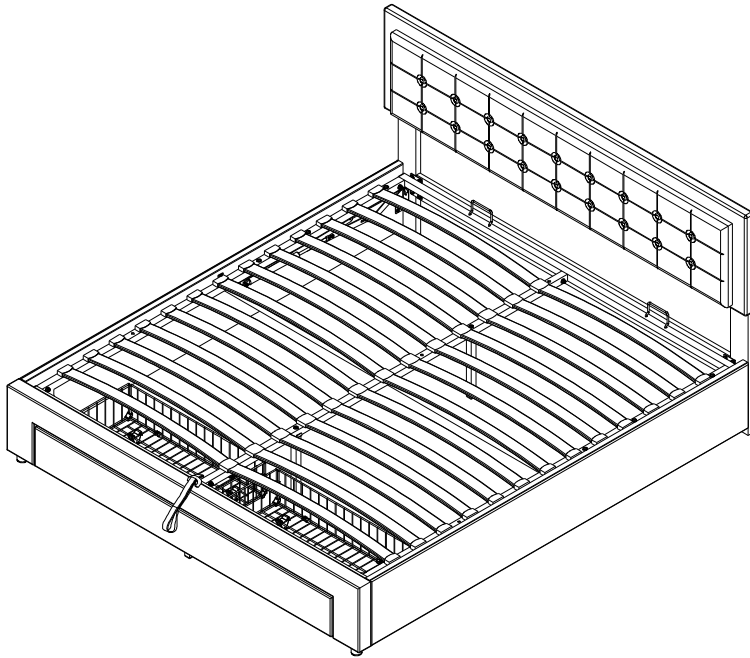


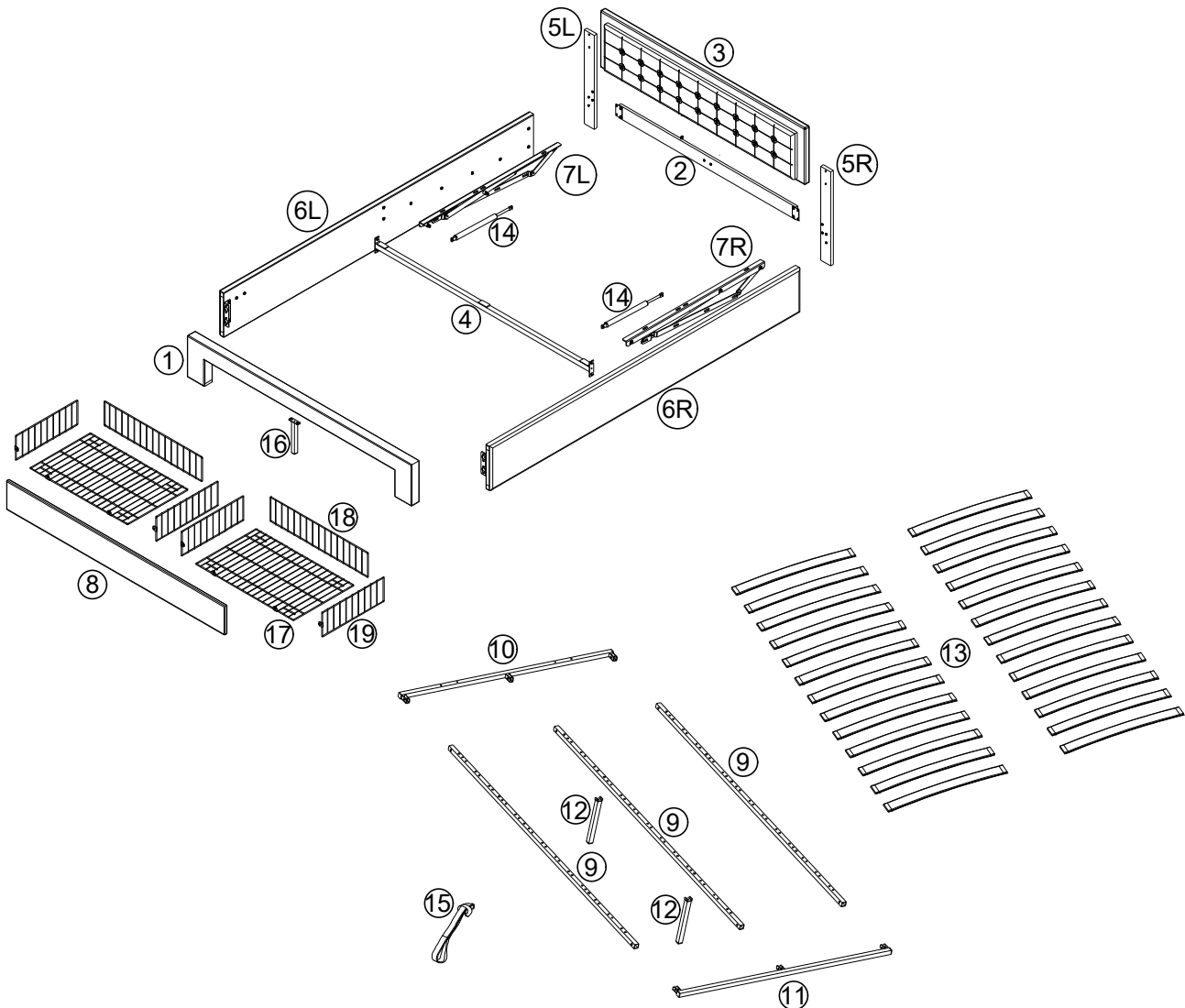
# ASSEMBLY INSTRUCTION

Upholstered Bed :4ft6  
5ft6  
6ft

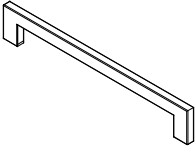
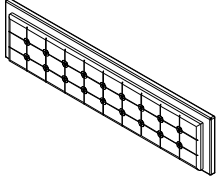
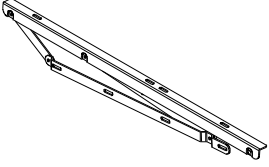
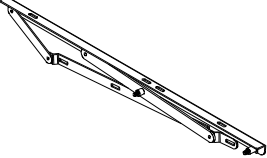
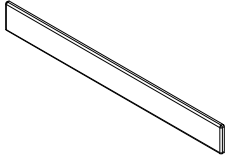
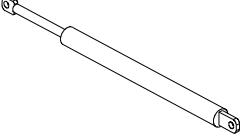
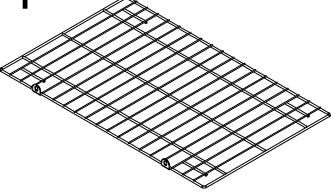
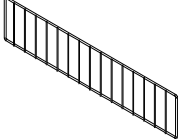
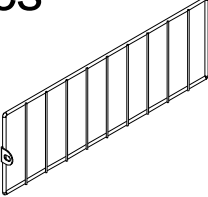


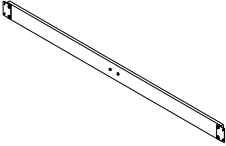
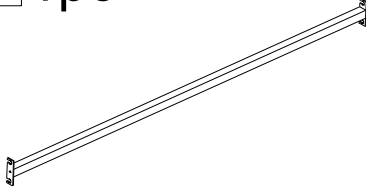


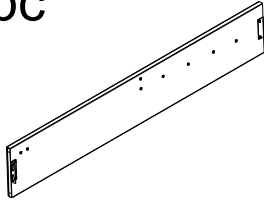
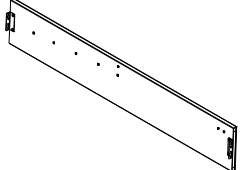
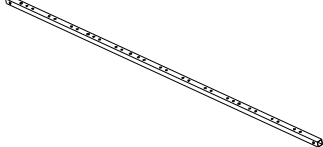
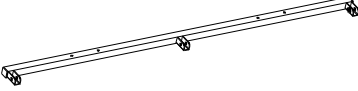
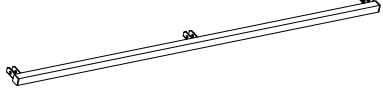
## TIPS

1. This product is divided into 2 parcels for delivery. They may not arrive at the same time. Please wait patiently.
2. Please read the instructions fully before assembly. These instructions include important information which could ensure correct assembly. We have been working on providing high quality products for you. However, in the rare instance that your product is defective, missing parts or there are some issues, please don't hesitate to contact our customer service to submit parts requirements, assembly suggestion, or warranty claims, and we will give the best solution as soon as possible. If necessary, we need you to provide some more clear pictures of the issue.
3. Insert the screws in holes and tighten the screws, but not too tight, 70%~80% is ok, finally tighten all the screws. If some issues happened that some screws can not target to the hole or some parts are difficult to install, please adjust the tightness of the screws.
4. 2 people are recommended to finish.

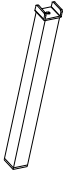
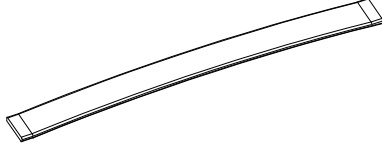
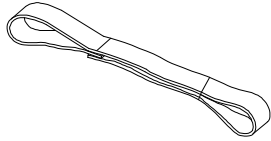
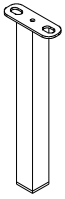


# Part List


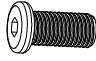
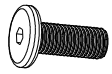





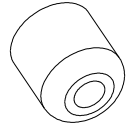
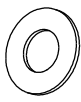
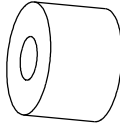

<b>1</b> 1pc 	<b>3</b> 1pc 	<b>7L</b> 1pc 
<b>7R</b> 1pc 	<b>8</b> 1pc 	<b>14</b> 2pcs 
<b>17</b> 2pcs 	<b>18</b> 2pcs 	<b>19</b> 4pcs 

<b>2</b> 1pc 	<b>4</b> 1pc 	<b>5L</b> 1pc 
<b>5R</b> 1pc 	<b>6L</b> 1pc 	<b>6R</b> 1pc 
<b>9</b> 3pcs 	<b>10</b> 1pc 	<b>11</b> 1pc 


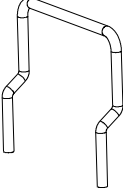
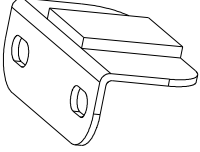
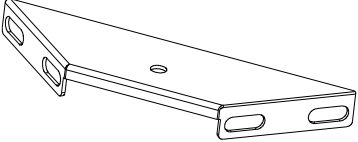
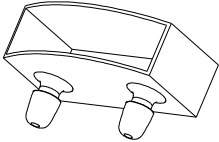
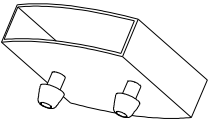
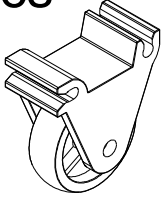
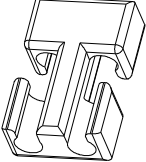
# Part List

<b>12</b> 2pcs 	<b>13</b> 26pcs 	<b>15</b> 1pc 
<b>16</b> 1pc 		

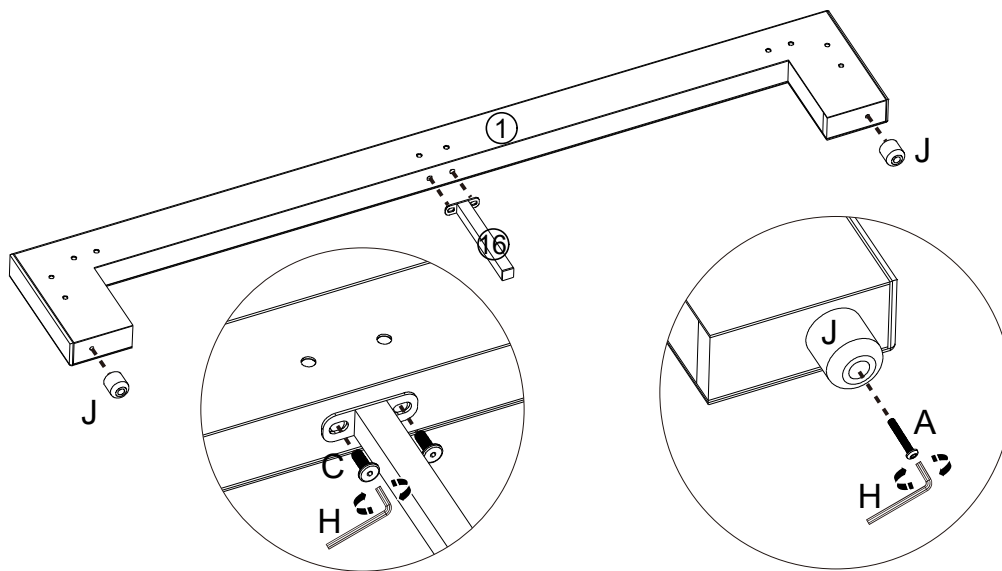
# Hardware List





<b>A</b> 4pcs  M6x40mm	<b>B</b> 8pcs  M8x16mm	<b>C</b> 26pcs  M8x20mm
<b>D</b> 4pcs  M8x25mm	<b>E</b> 8pcs  M8x35mm	<b>F</b> 12pcs  M8x45mm
<b>G</b> 4pcs  M8x50mm	<b>H</b> 1pc 	<b>J</b> 2pcs 
<b>K</b> 12pcs 	<b>L</b> 8pcs 	<b>M</b> 16pcs  M8

# Hardware List

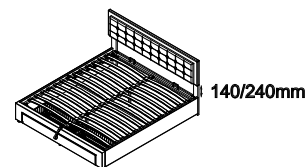
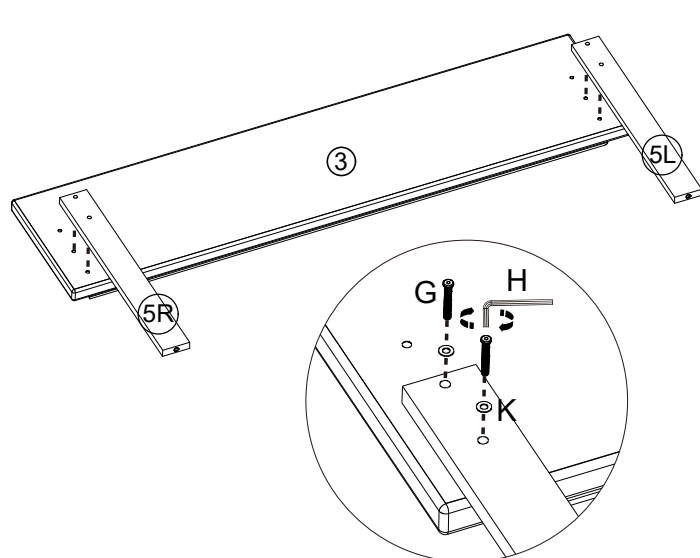
<b>N</b> 1pc 	<b>P</b> 2pcs 	<b>Q</b> 2pcs 
<b>R</b> 2pcs 	<b>S</b> 26pcs 	<b>T</b> 13pcs 
<b>U</b> 8pcs 	<b>V</b> 16pcs 	




# Step 1



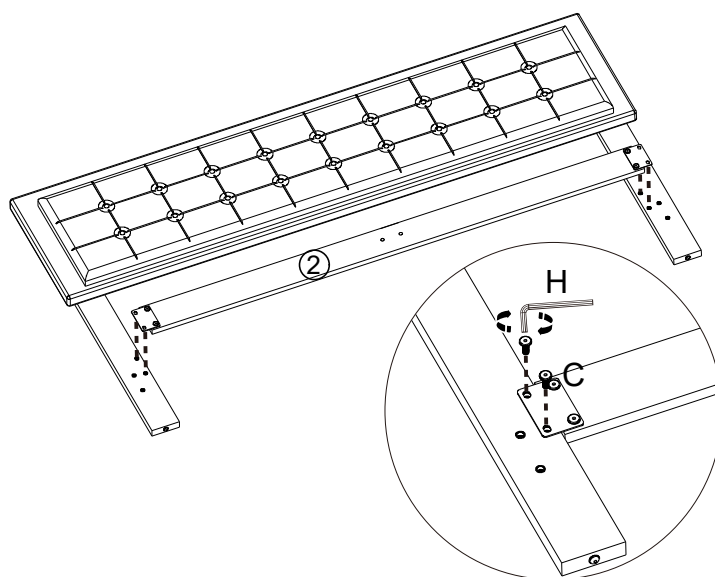
A x 2  M6 x 40mm	C x 2  M8 x 20mm	H x 1 	J x 2 
---	---	--	--



# Step 2



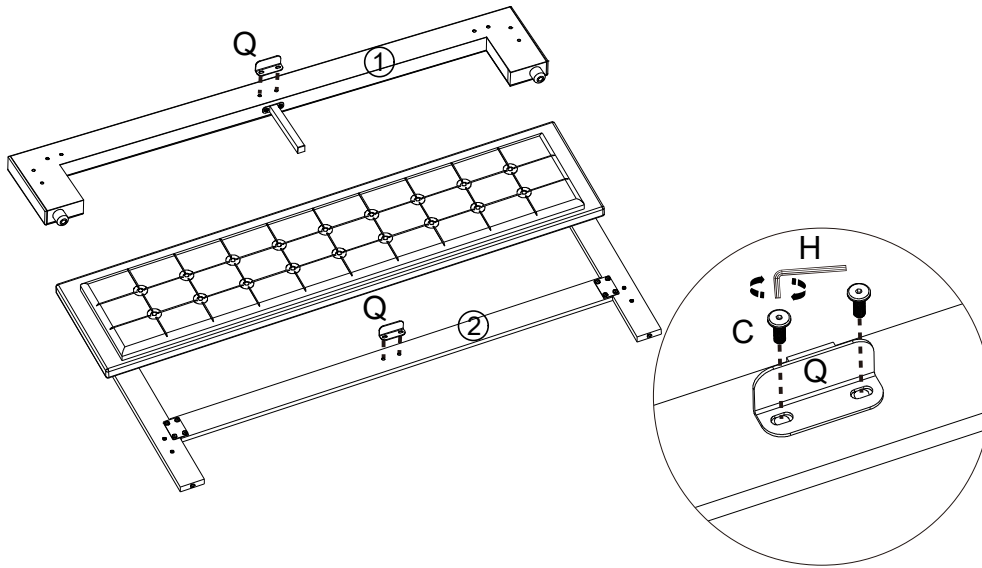
G x 4  M8 x 50mm	H x 1 	K x 4 
---	--	--




# Step 3



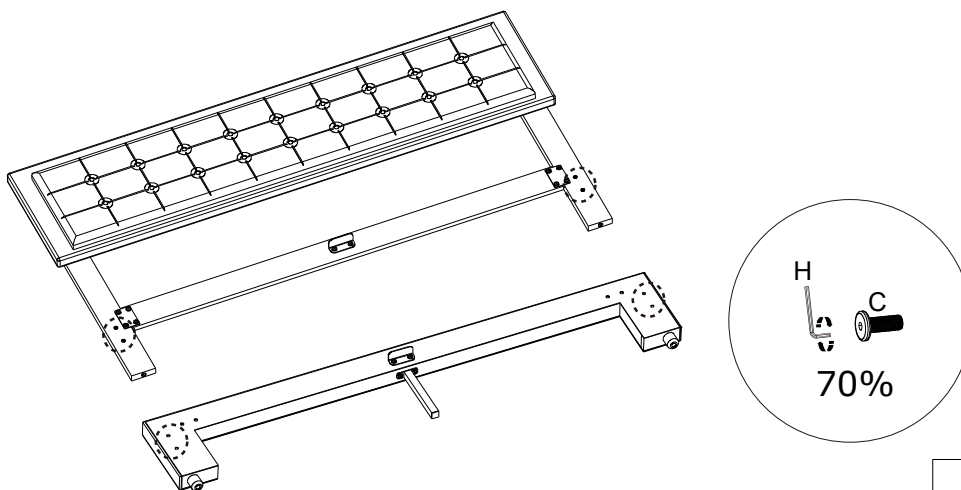
C x 4  M8 x 20mm	H x 1 
---	--



### Step 4



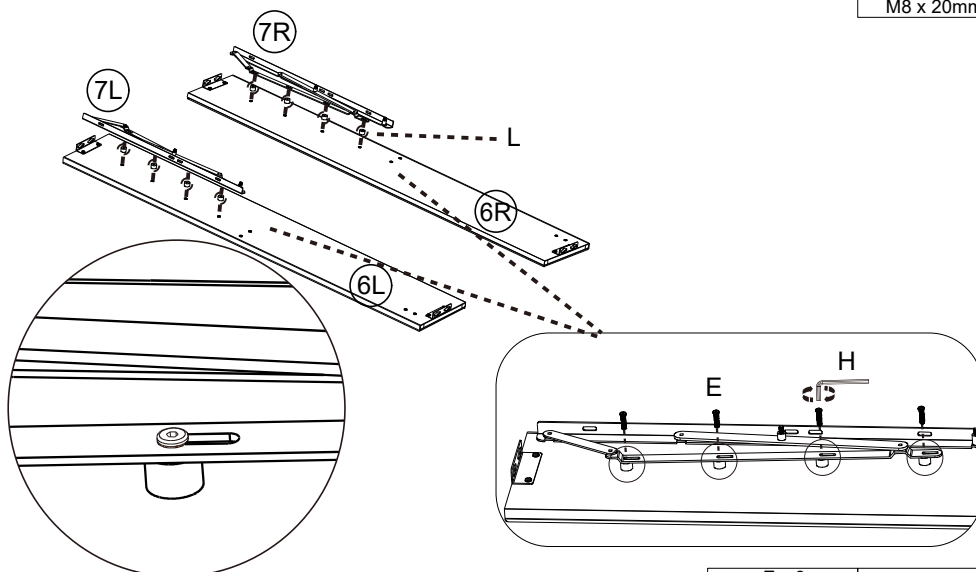
C x 4	H x 1	Q x 2
		
M8 x 20mm		




### Step 5



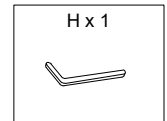
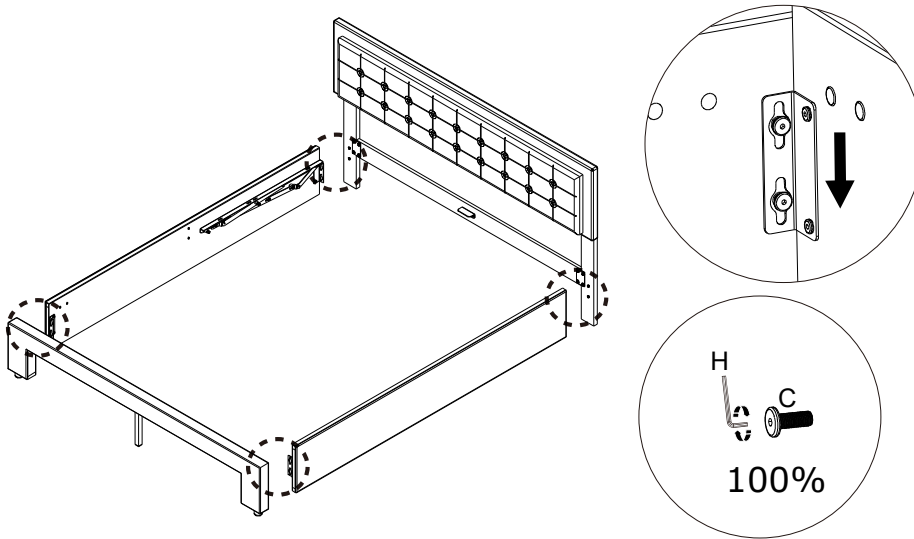
C x 8	H x 1
	
M8 x 20mm	

### Step 6

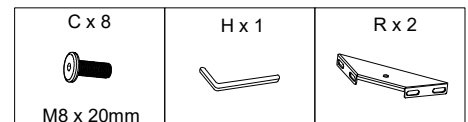
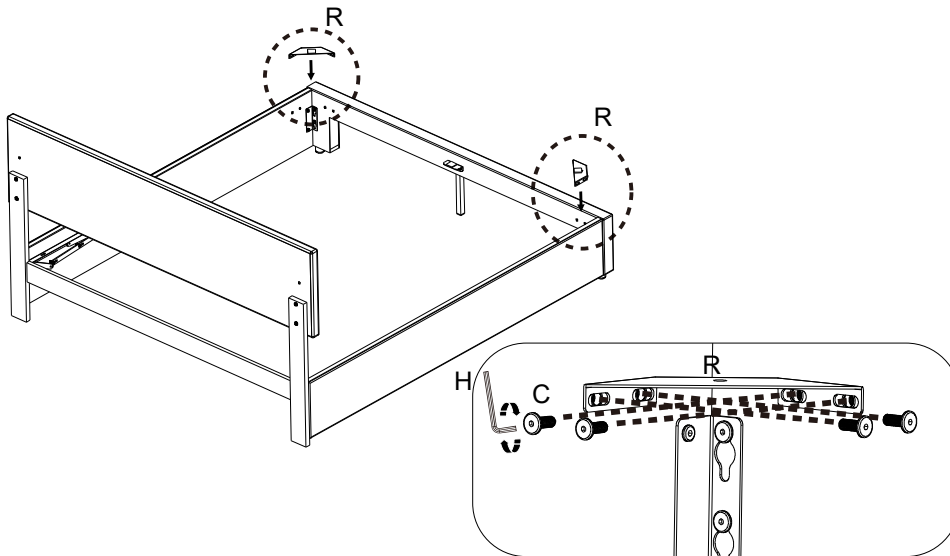


E x 8	H x 1	L x 8
		
M8 x 35mm		

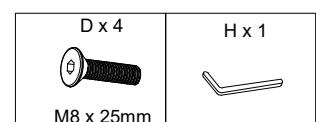
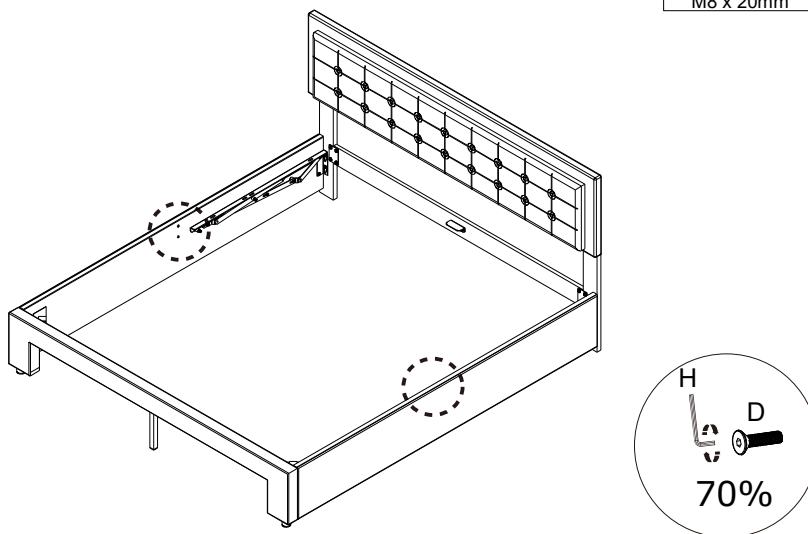
Step 7



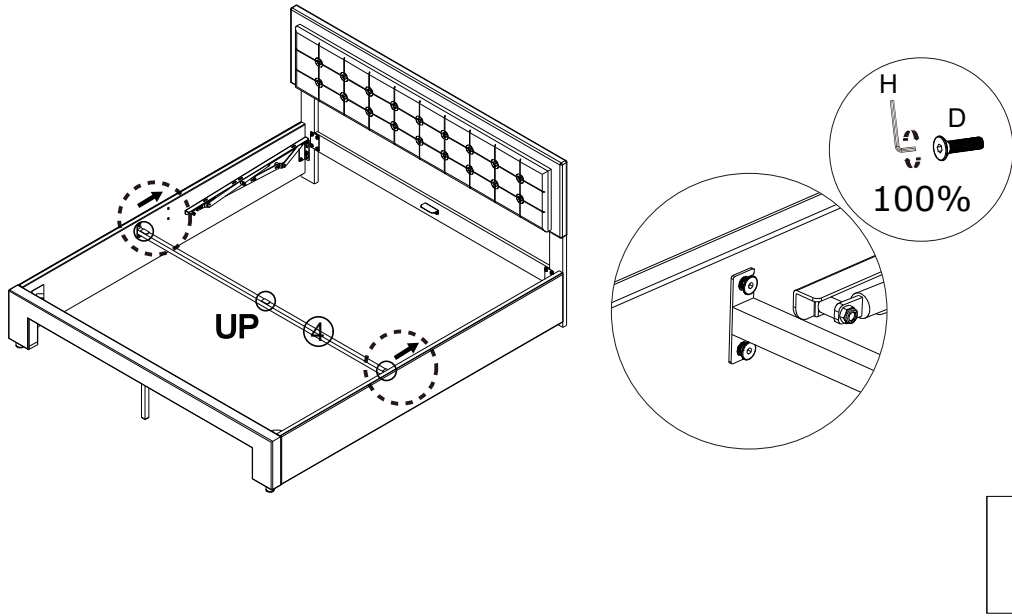
Step 8



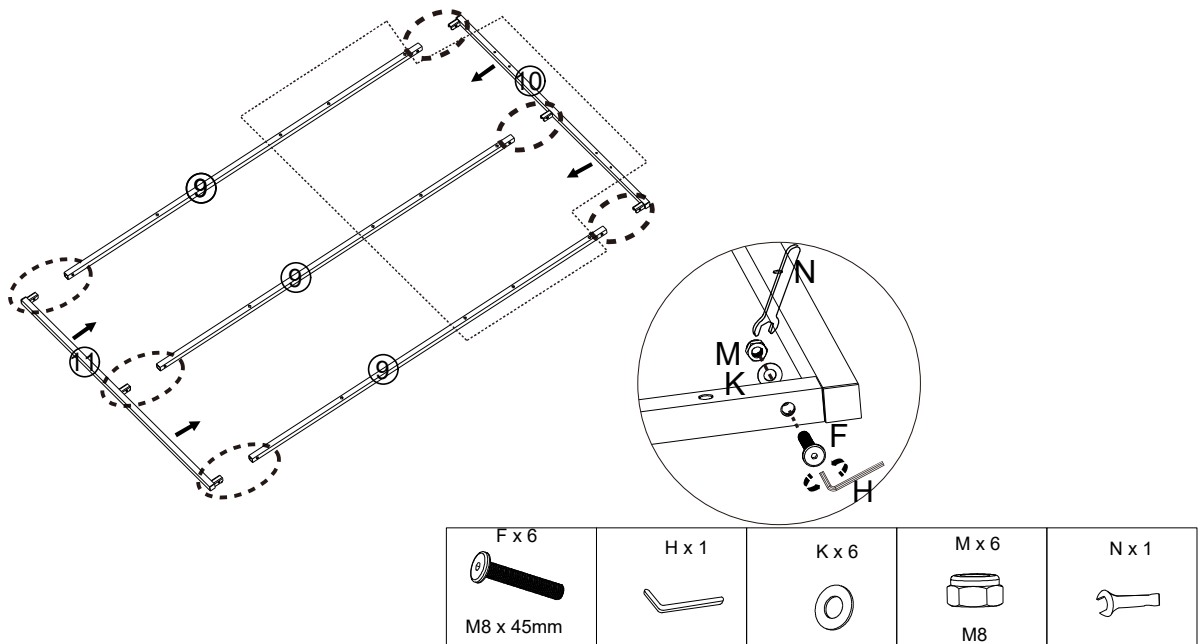
Step 9



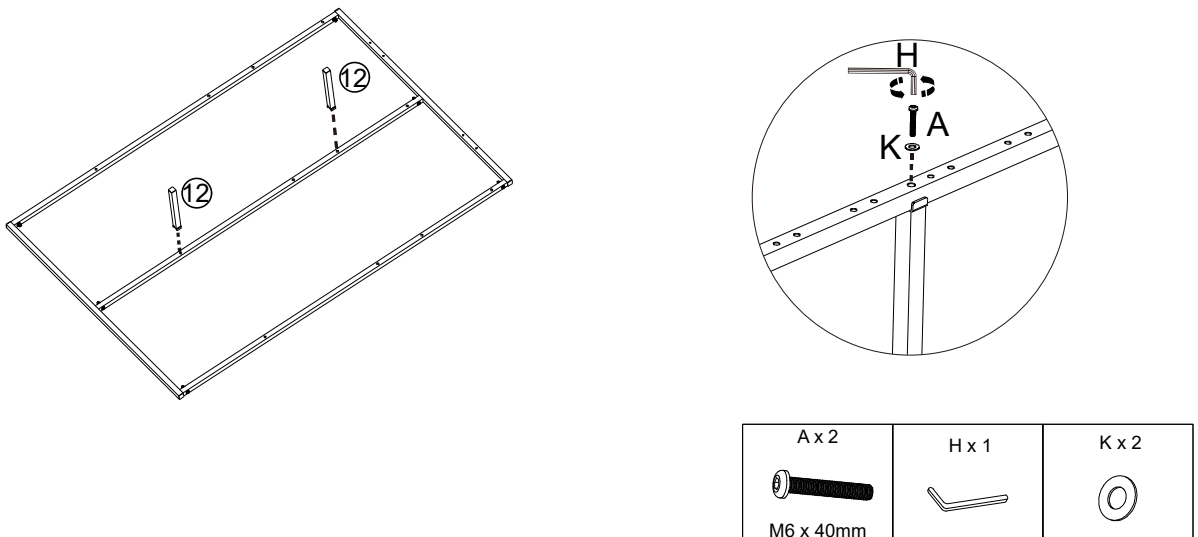
# Step 10



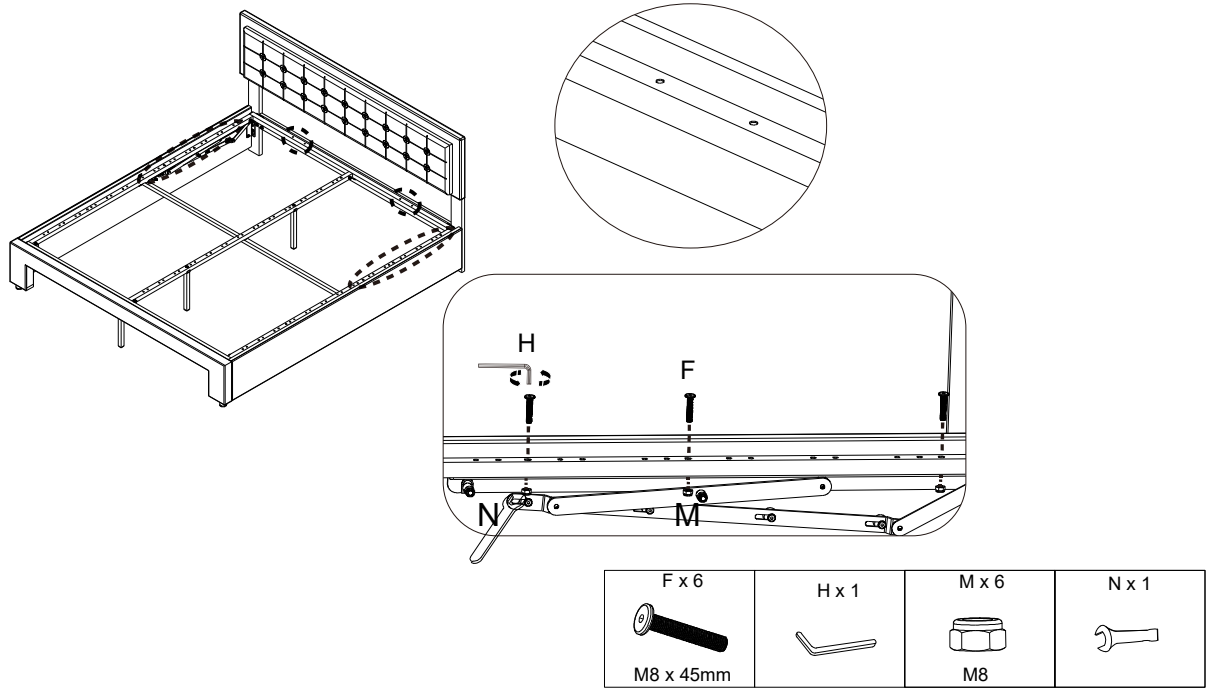
# Step 11



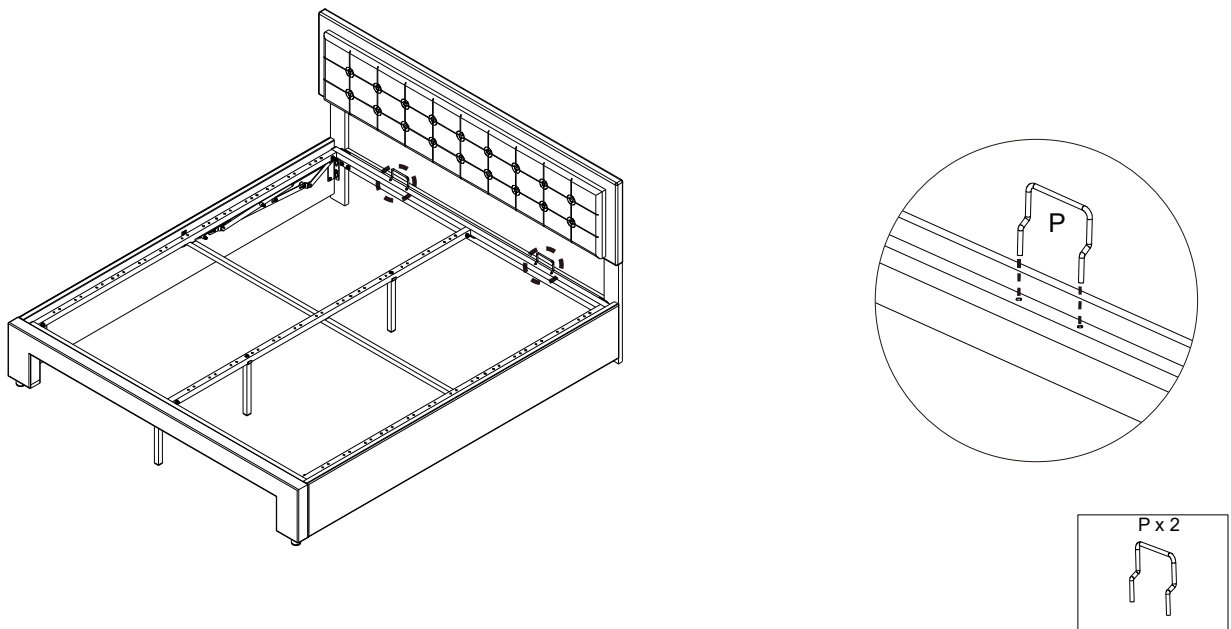
# Step 12



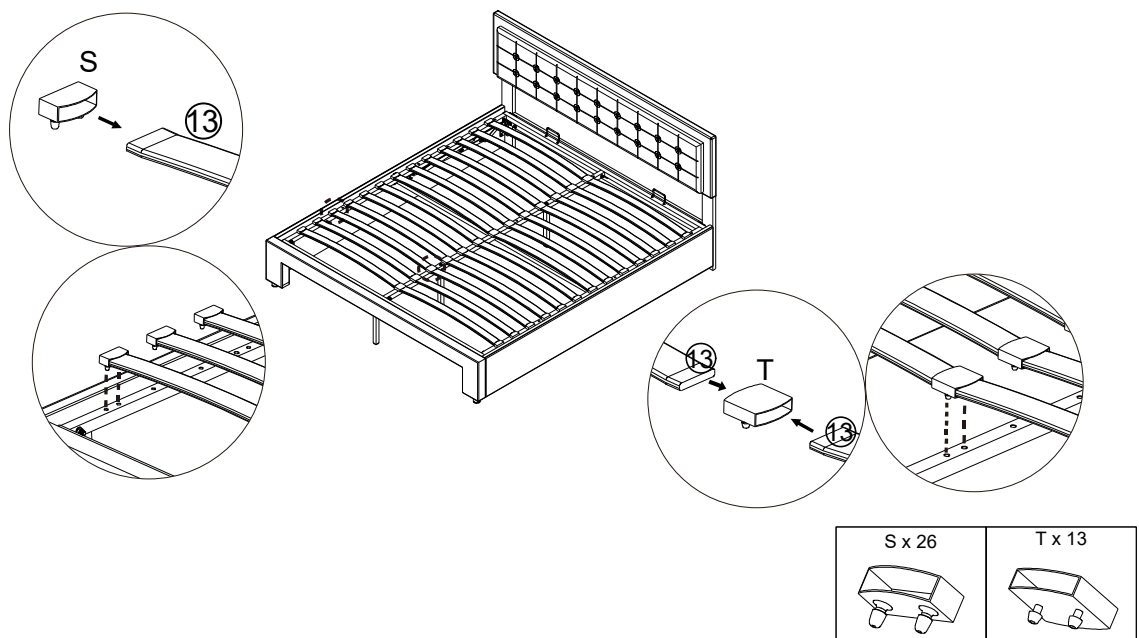
# Step 13



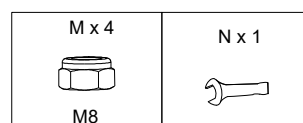
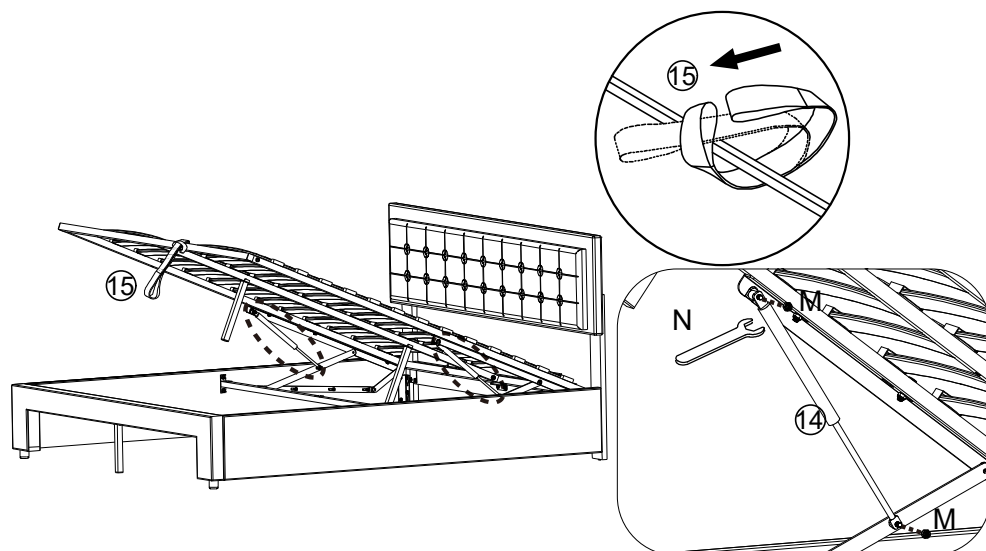
# Step 14



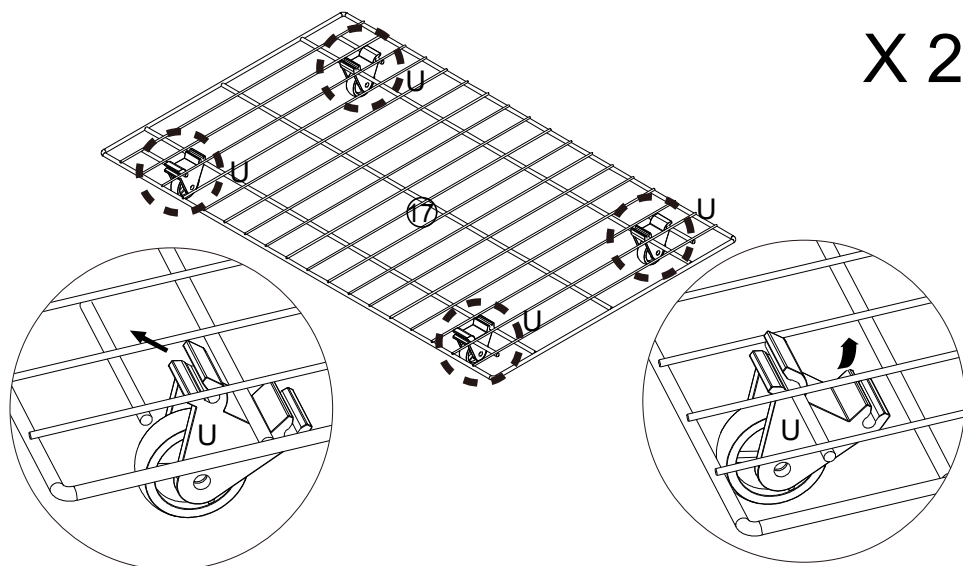
# Step 15



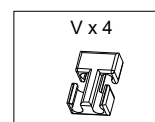
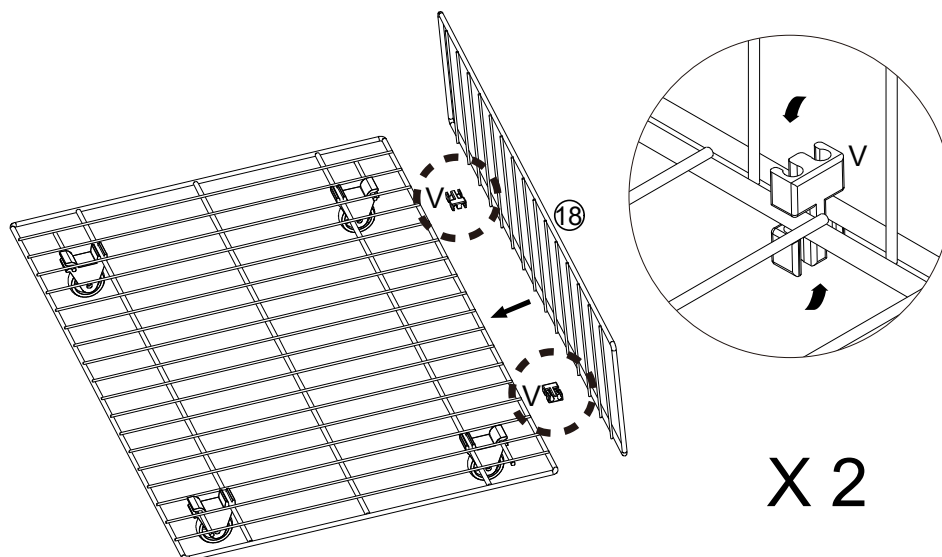
Step 16



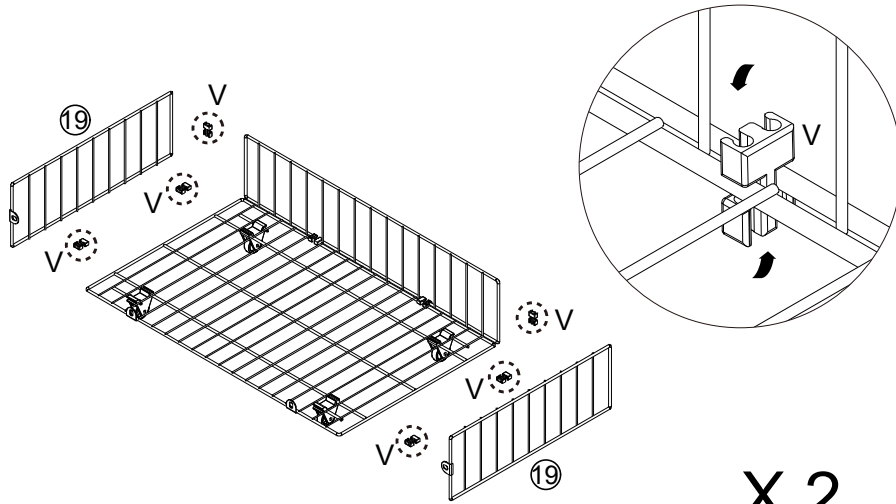
Step 17



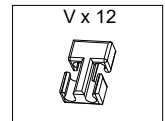
Step 18



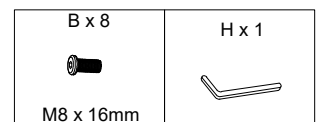
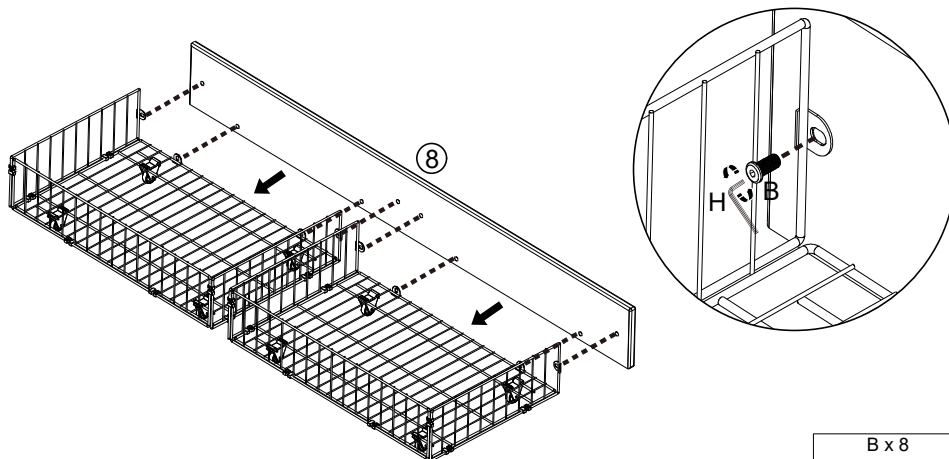
## Step 19



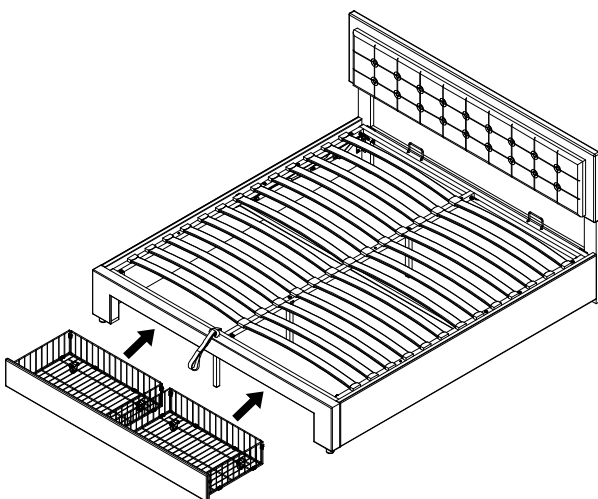
X 2



## Step 20



## Step 21



### WHY WON'T MY HYDRAULIC BED STAY DOWN ?

1. In fact, nine times out ten the reason why hydraulic won't close is because you need to put your mattress on top of the bed. Yep, it really is that easy. This is because the hydraulic pistons need the weight of the mattress to provide enough pressure to close your bed.  
 2. However, what if you've put your mattress on your bed and you're one of the unlucky ones who finds that their hydraulic bed still won't stay down?

As previously mentioned, they require pressure in order to close. However, occasionally as well as placing the mattress on the bed you will initially have to apply some physical force yourself to close the bed. Don't worry you won't break it! ! !