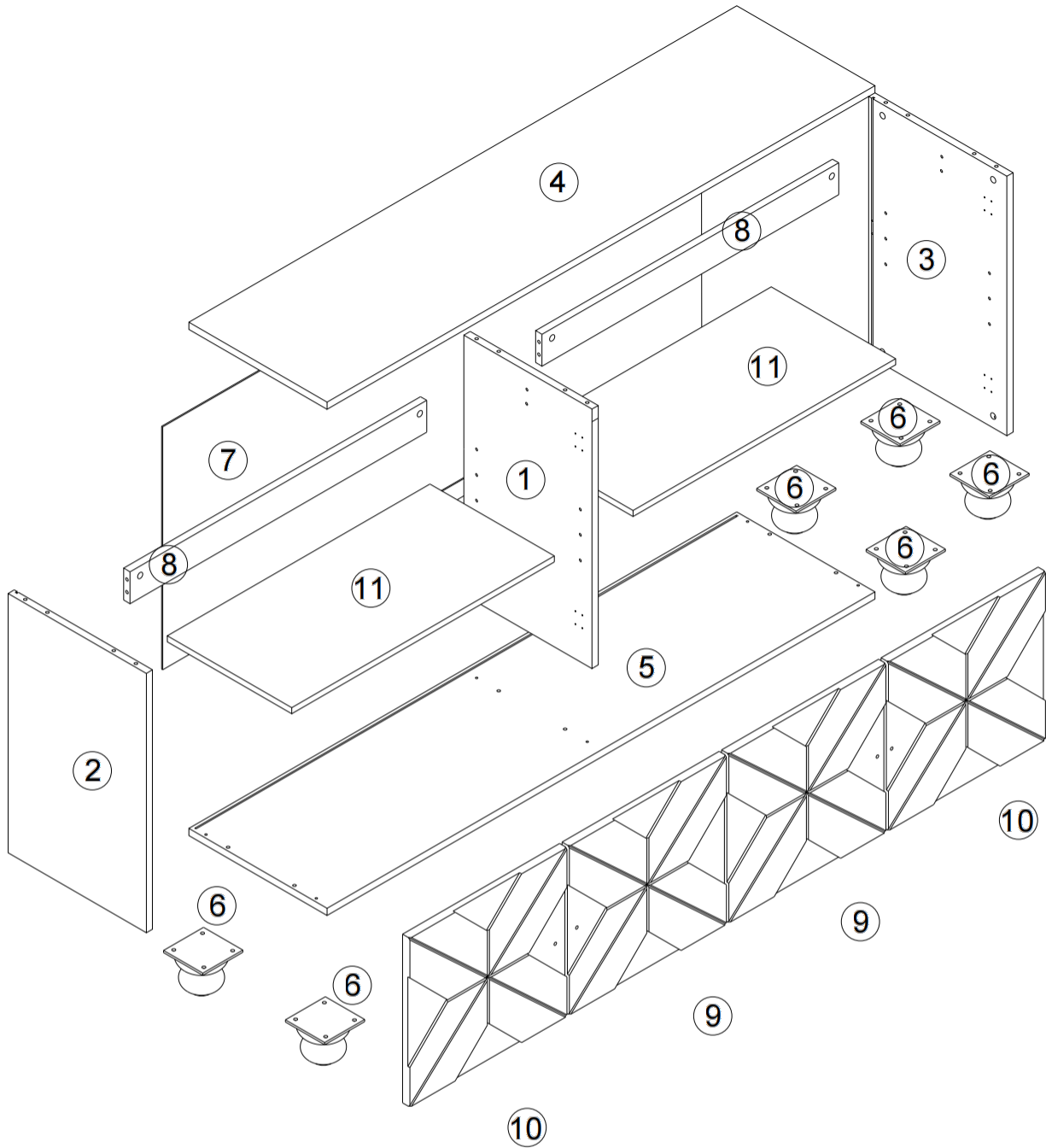


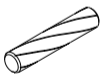


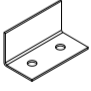

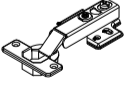



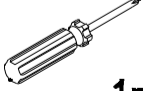
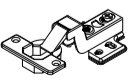
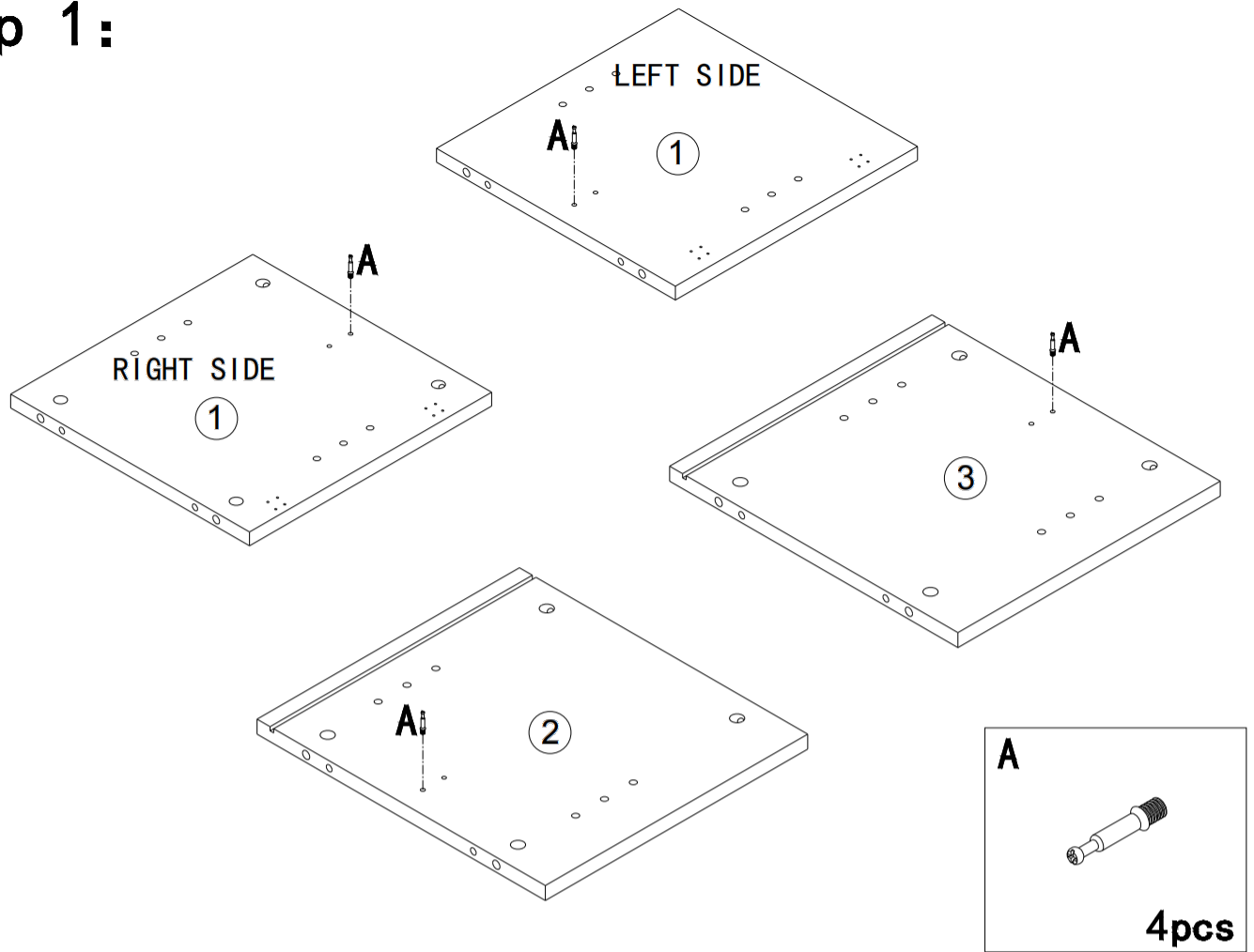


# Parts List

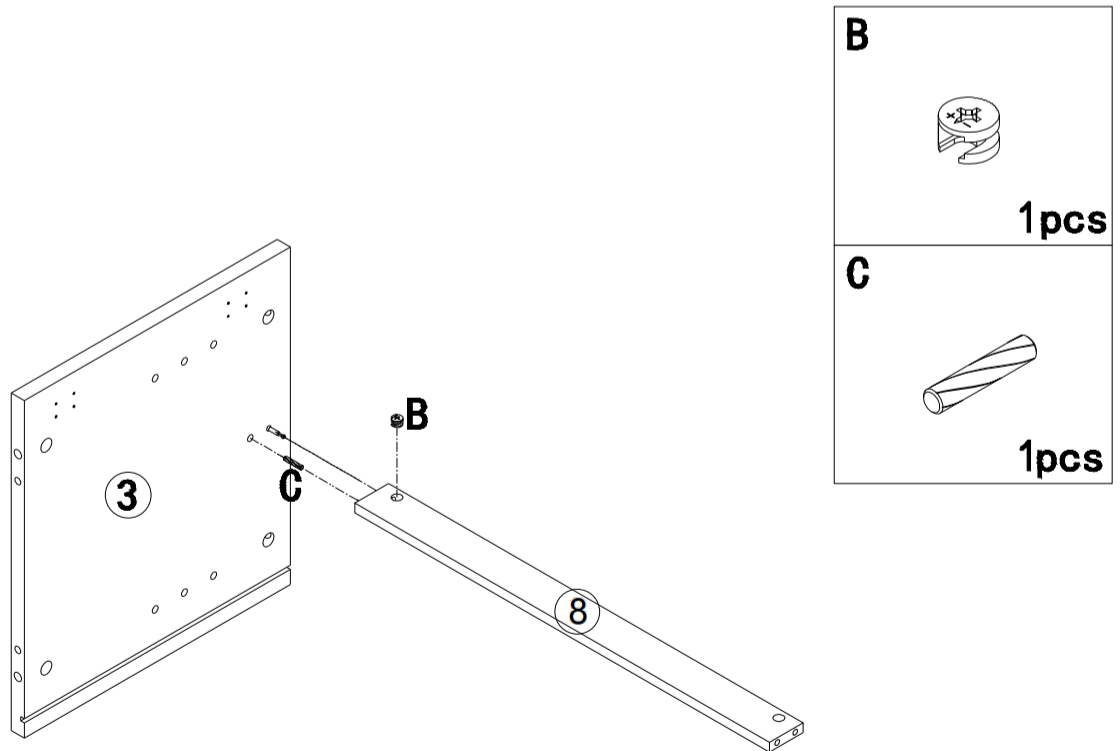


<b>A</b>  <b>16 pcs</b>	<b>B</b>  <b>16 pcs</b>	<b>C</b>  <b>16 pcs</b>	<b>D</b> 3.5X14  <b>92 pcs</b>	<b>E</b>  <b>4 pcs</b>	<b>F</b>  <b>2 pcs</b>
<b>G</b>  <b>4 pcs</b>	<b>H</b>  <b>4 pcs</b>	<b>J</b>  <b>4 pcs</b>	<b>K</b>  <b>8 pcs</b>	<b>L</b>  <b>8 pcs</b>	<b>M</b>  <b>1 pc</b>
<b>P</b>  <b>4 pcs</b>					

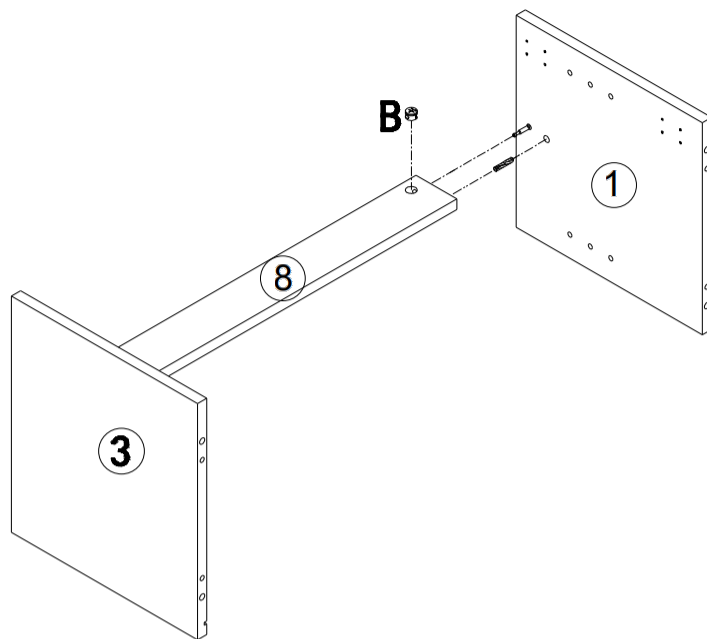
# Step 1:

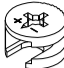



# Step 2:

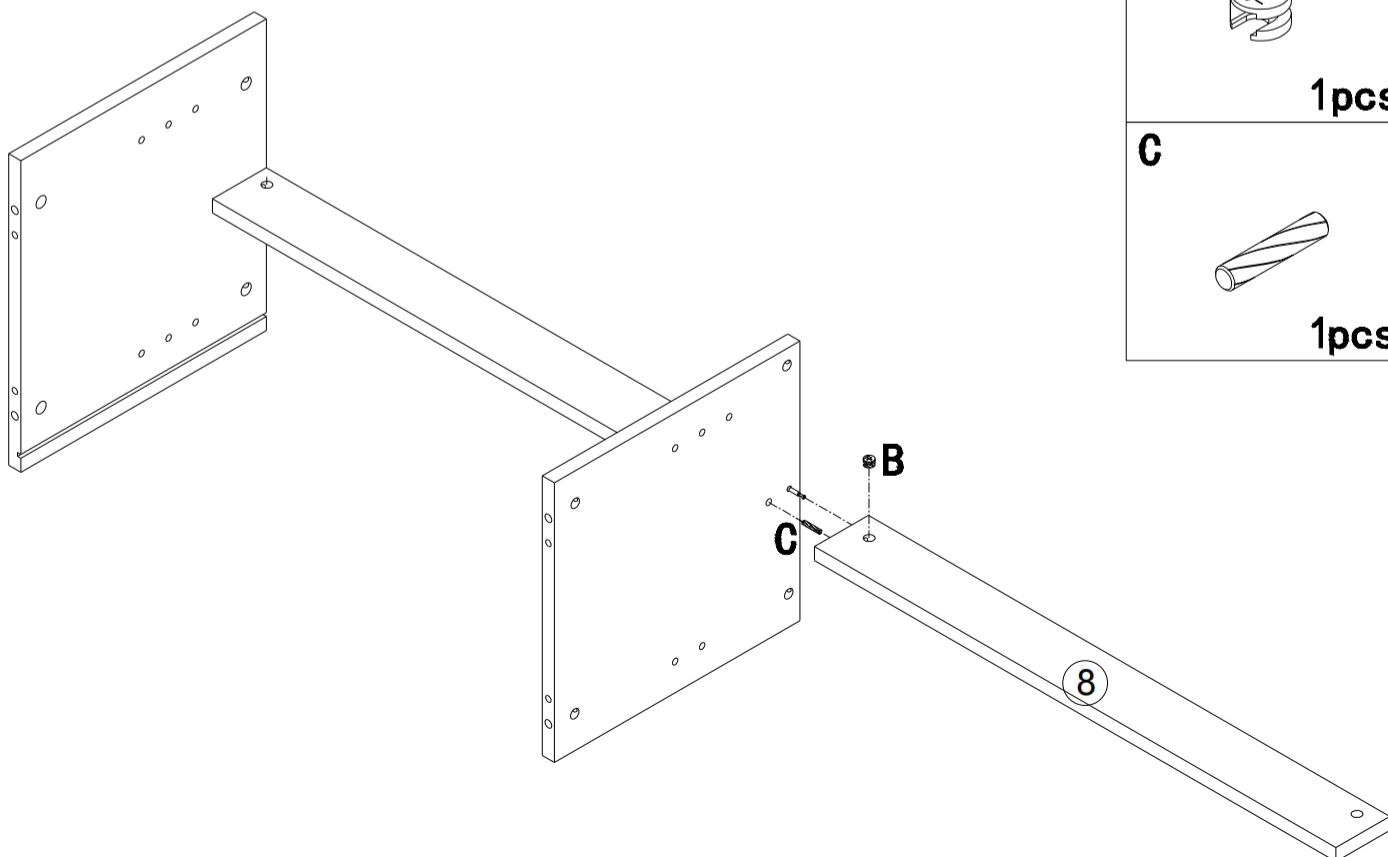



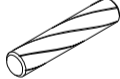
# Step 3:



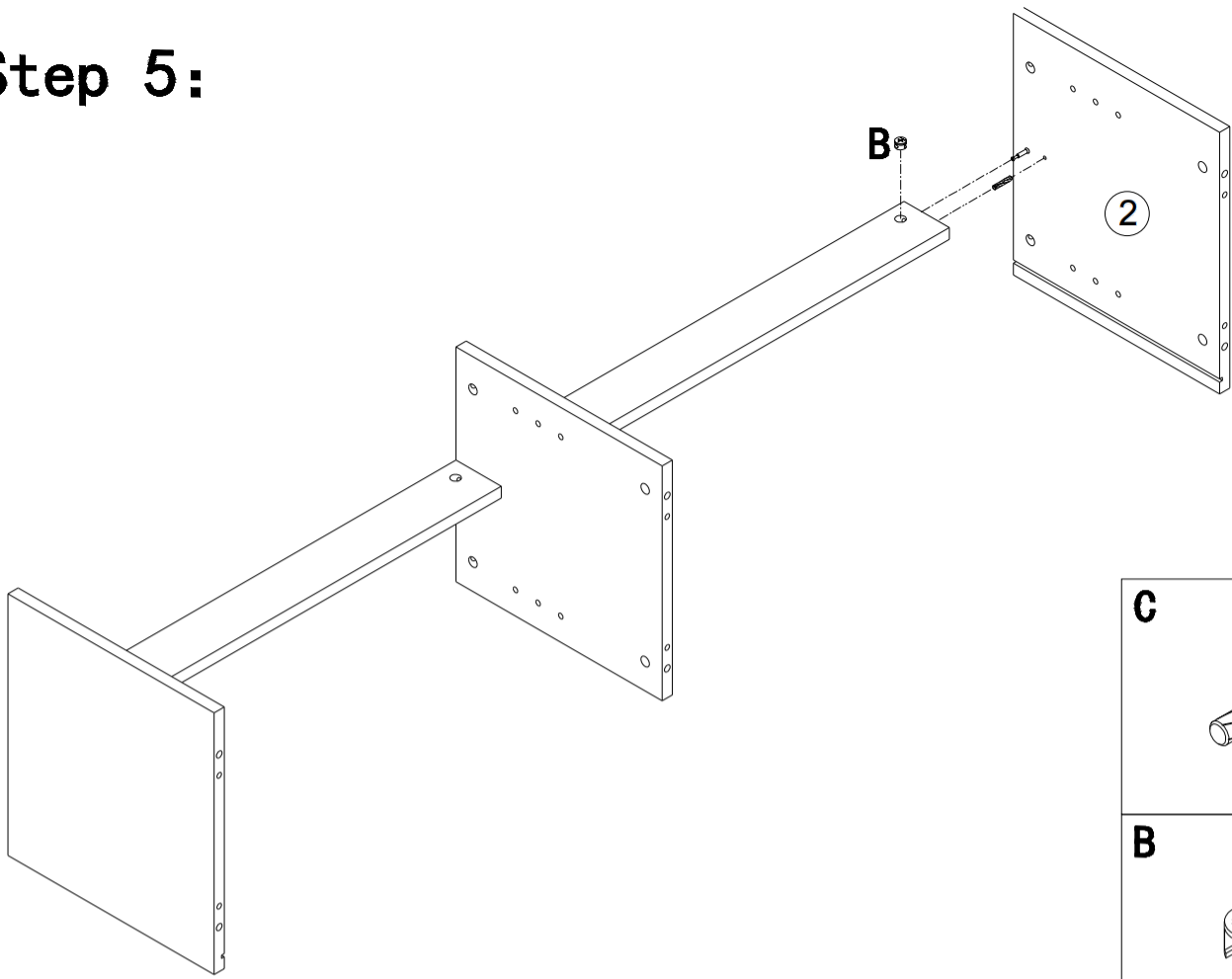
<b>B</b>		<b>1pcs</b>
<b>C</b>		<b>1pcs</b>

# Step 4:

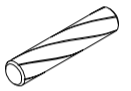


<b>B</b>		<b>1pcs</b>
<b>C</b>		<b>1pcs</b>

## Step 5:



**C**



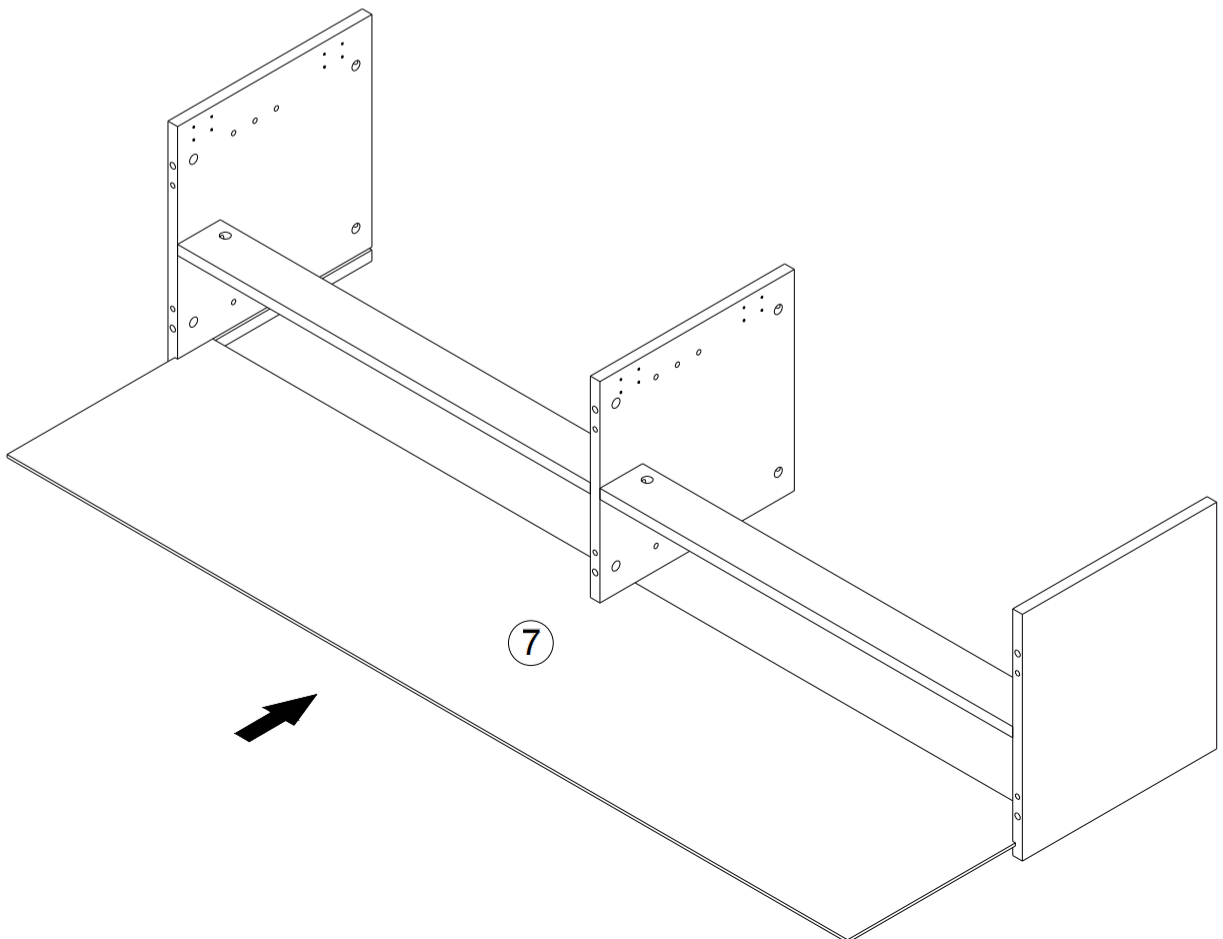
**1pcs**

**B**

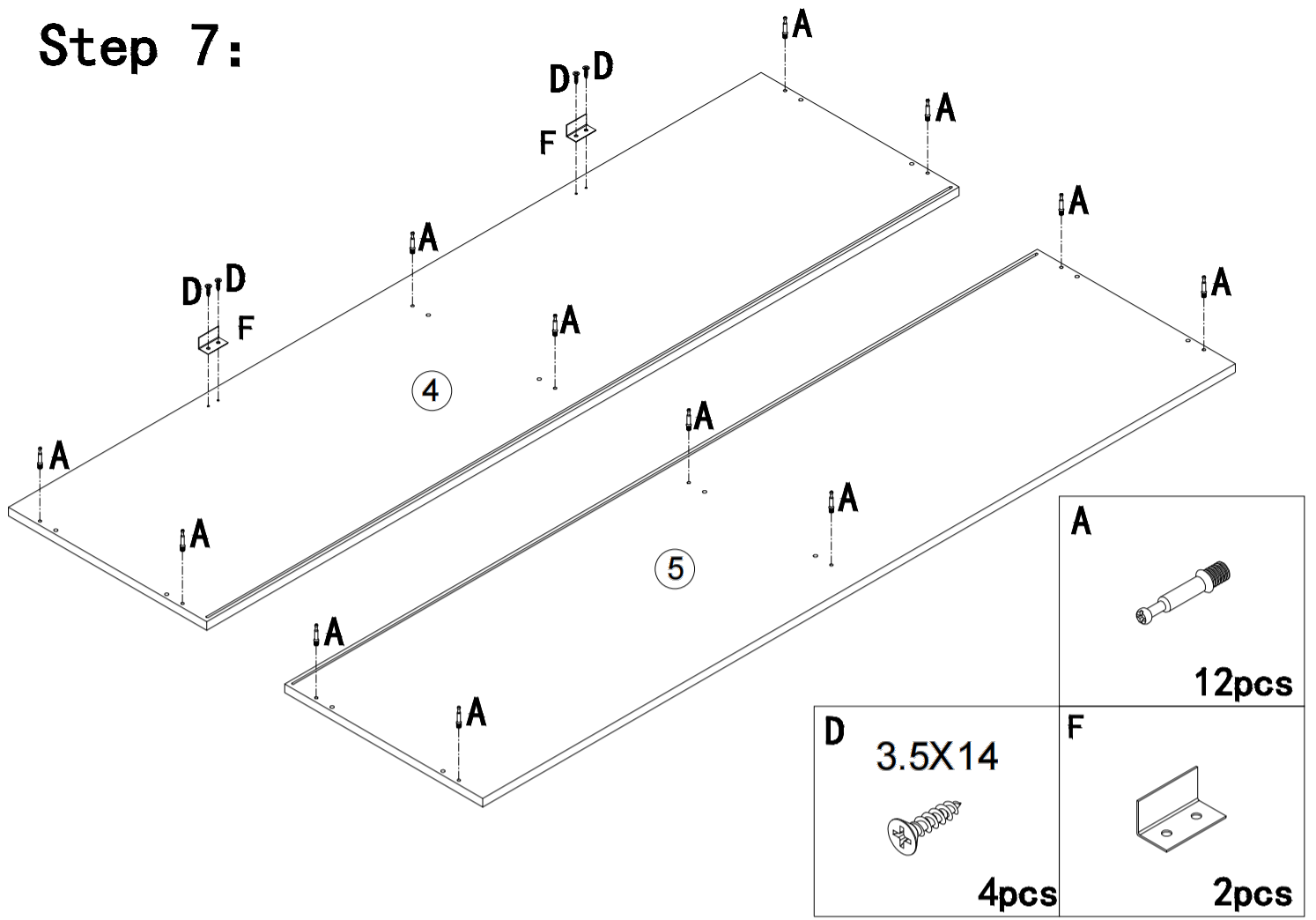


**1pcs**

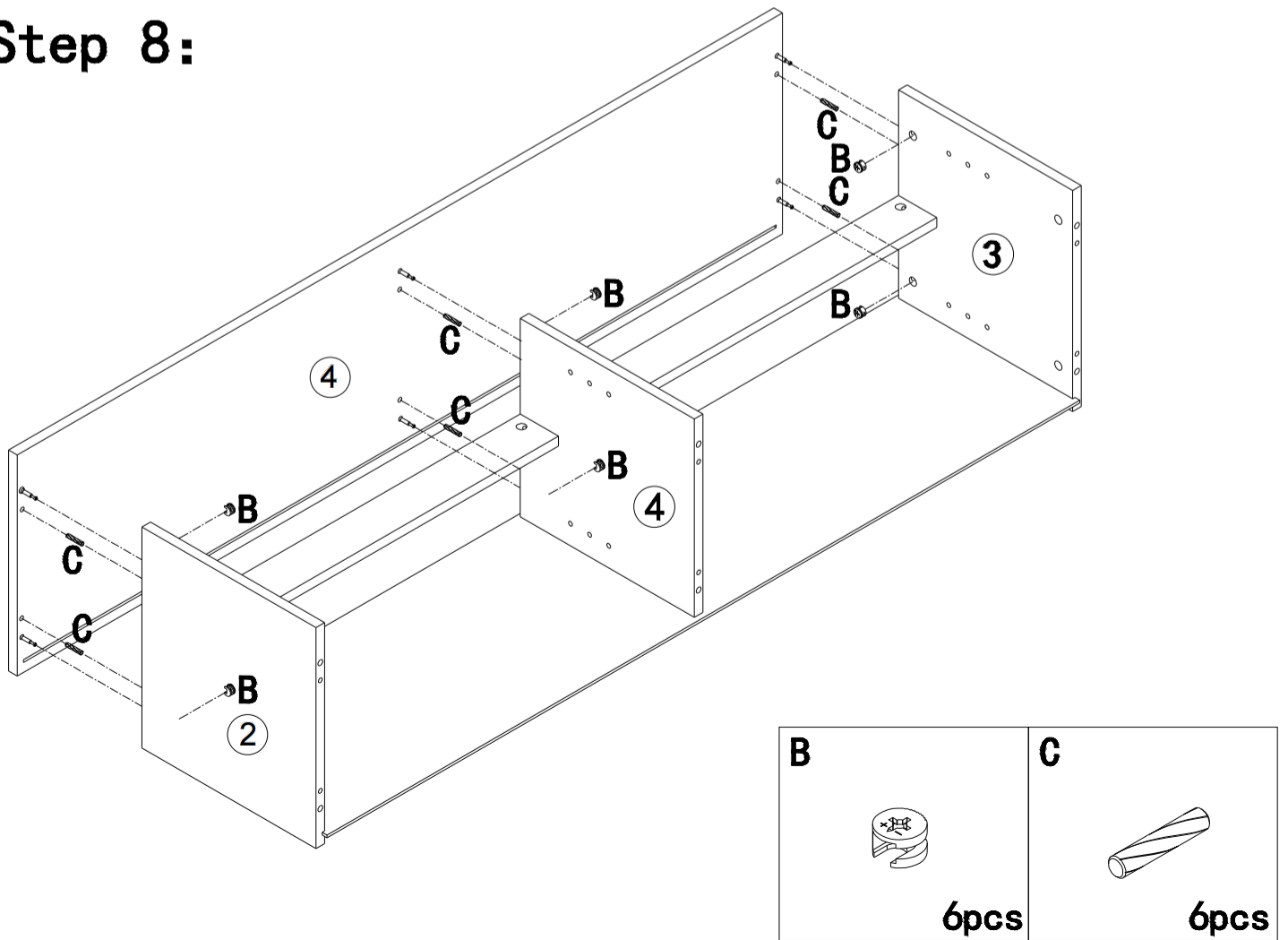
## Step 6:



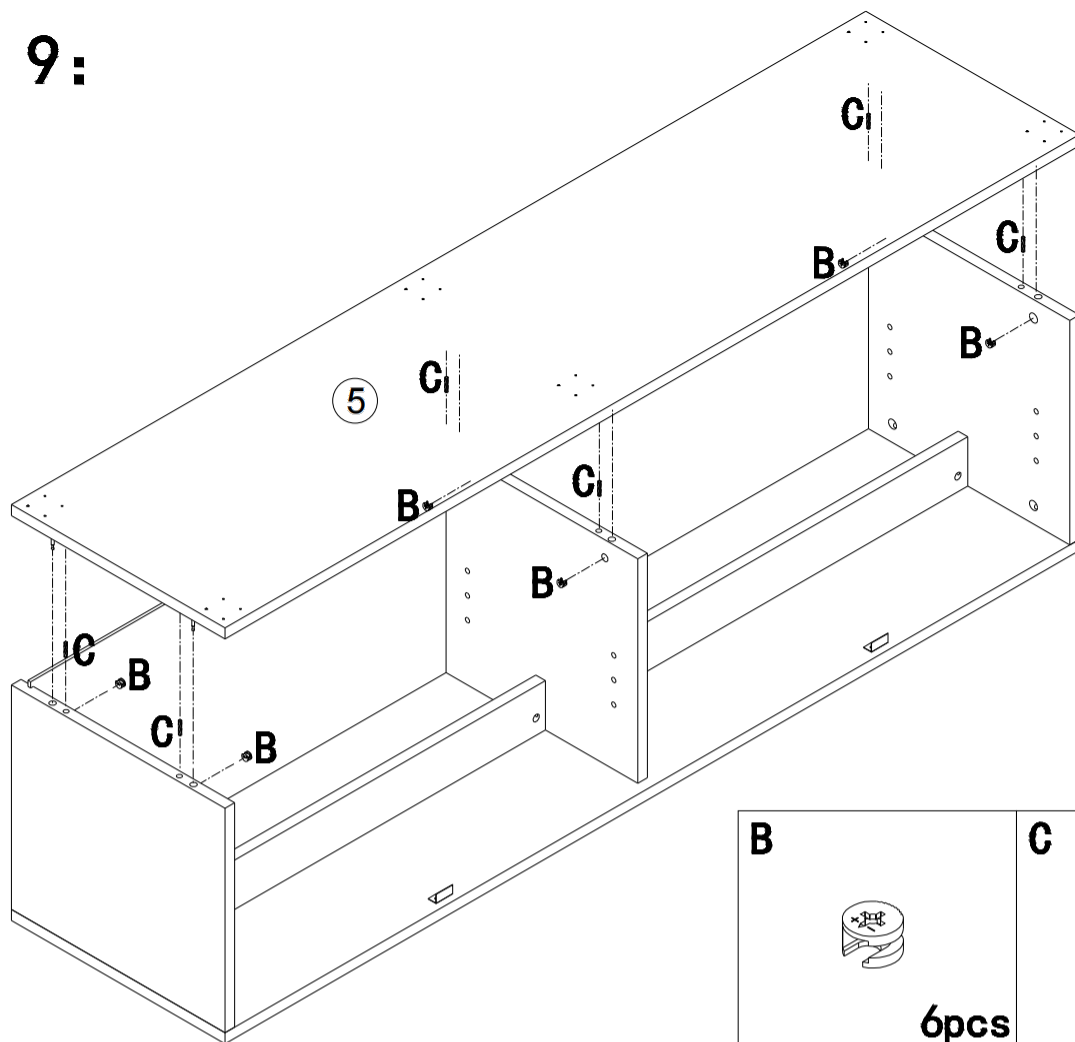
# Step 7:



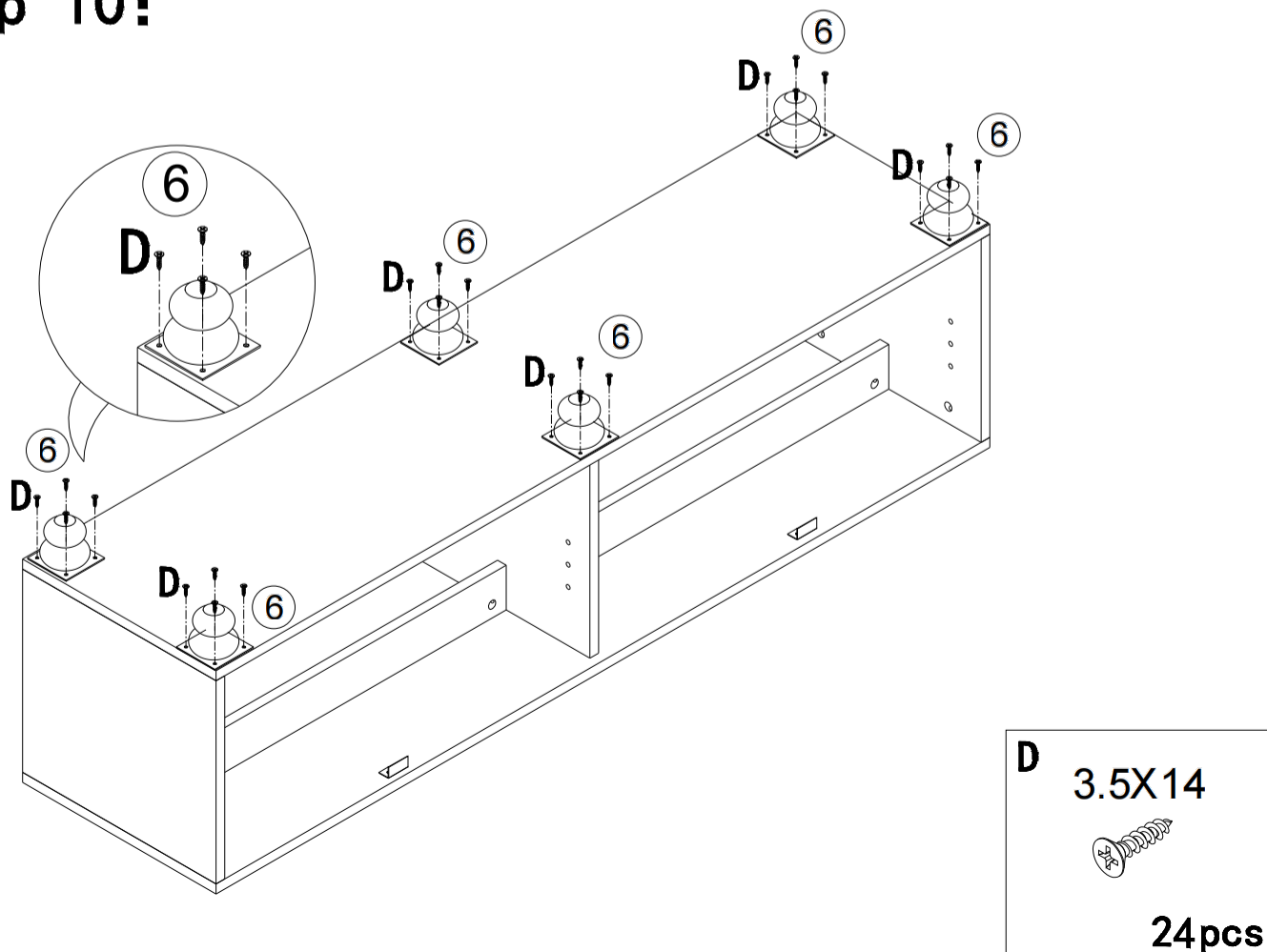
# Step 8:



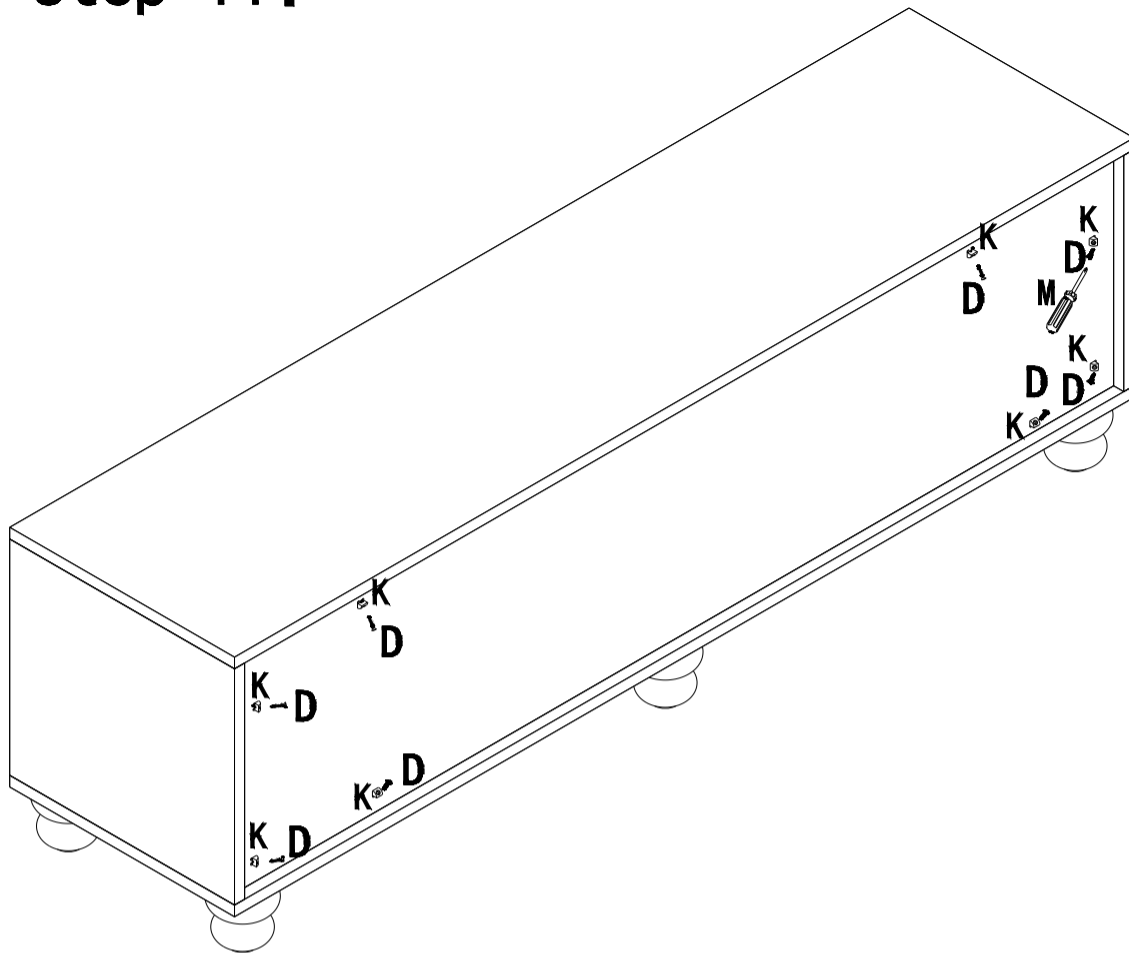
# Step 9:



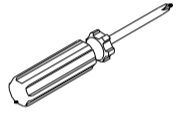


# Step 10:

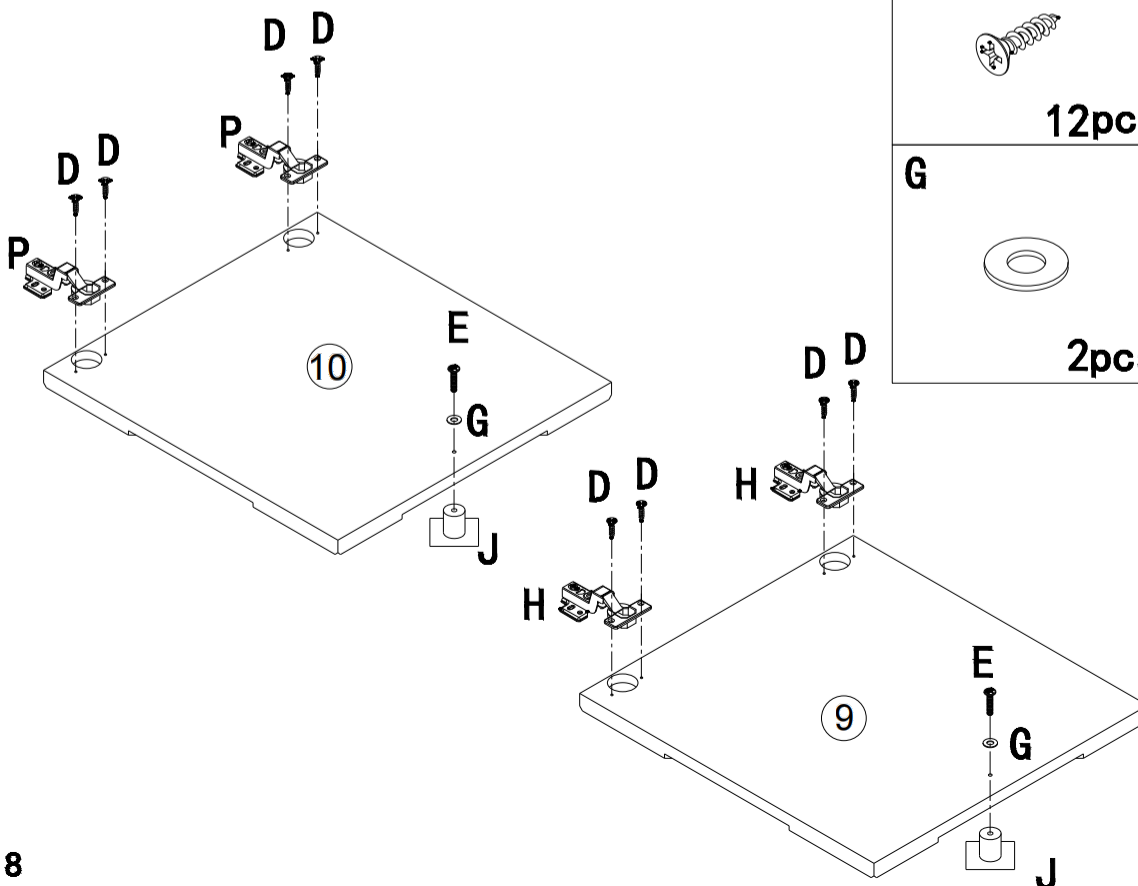



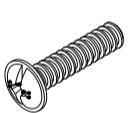
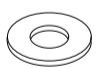
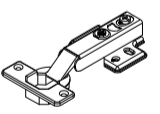

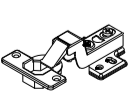
# Step 11:



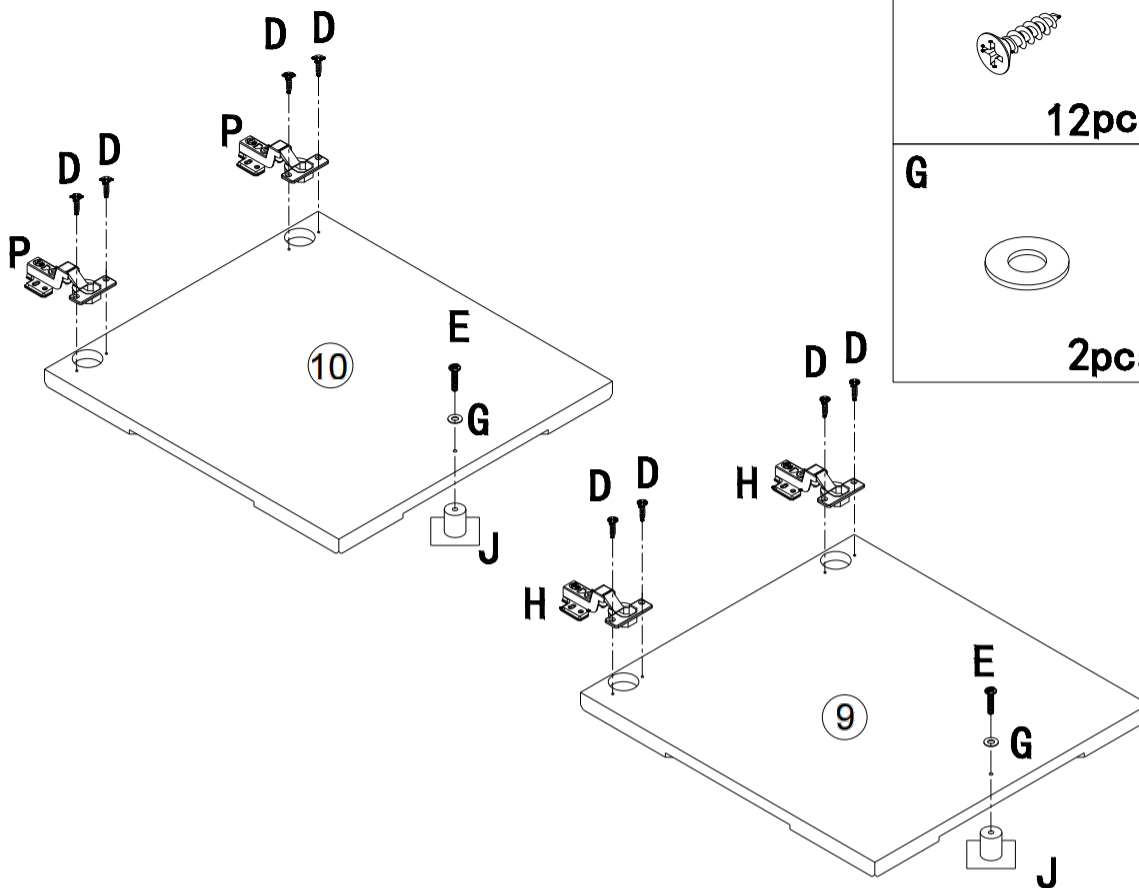
<b>D</b>	3.5X14		<b>8pcs</b>
<b>K</b>			<b>8pcs</b>
<b>M</b>			<b>1pc</b>




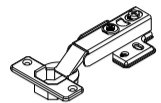

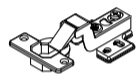
# Step 12:



<b>D</b>	3.5X14		<b>12pcs</b>
<b>E</b>			<b>2pcs</b>
<b>G</b>			<b>2pcs</b>
<b>H</b>			<b>2pcs</b>
<b>J</b>			<b>2pcs</b>
<b>P</b>			<b>2pcs</b>

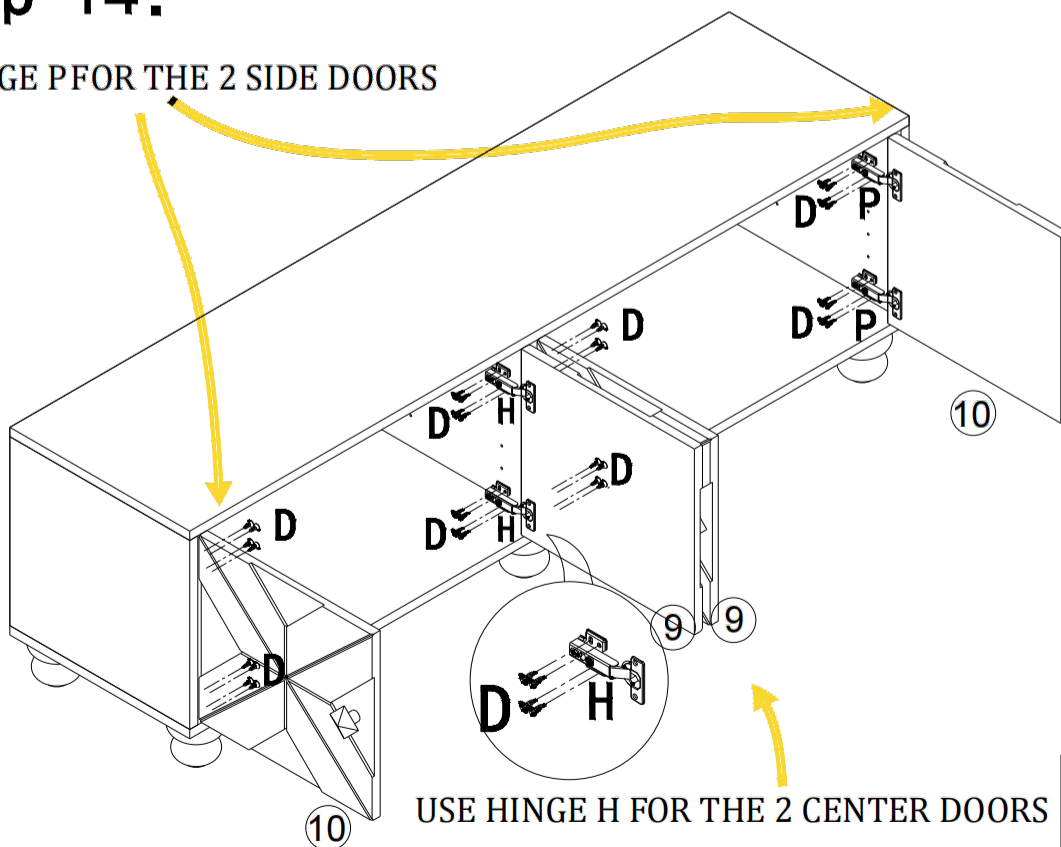
# Step 13:



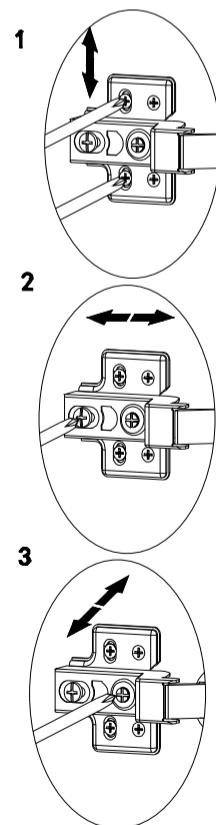
<b>D</b> 3.5X14  12pcs	<b>E</b>  2pcs
<b>G</b>  2pcs	<b>H</b>  2pcs
	<b>J</b>  2pcs
	<b>P</b>  2pcs

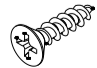
# Step 14:

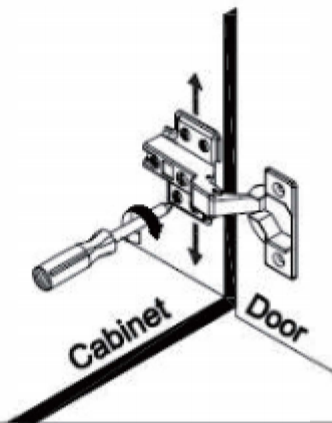
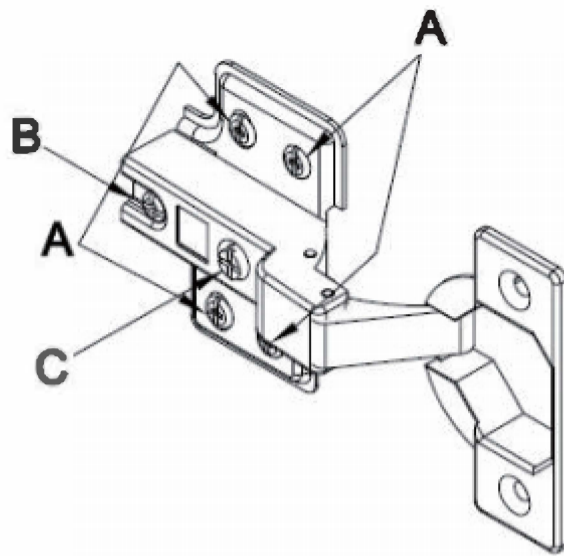
USE HINGE P FOR THE 2 SIDE DOORS



USE HINGE H FOR THE 2 CENTER DOORS

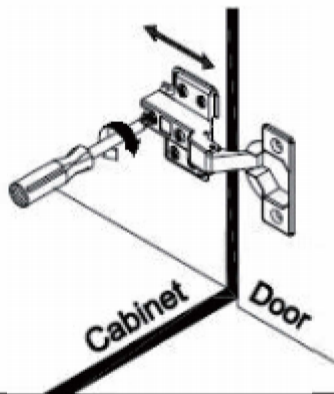


<b>D</b> 3.5X14  32pcs
--



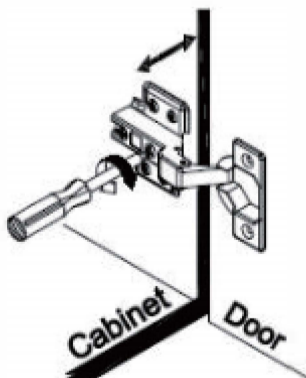
**To adjust the vertical height.**

Loosen the four screws "A" on both hinges. Two of them are usually in slotted holes which allows you to adjust up or down by a few mm. Then tighten back up.



**To adjust depth.**

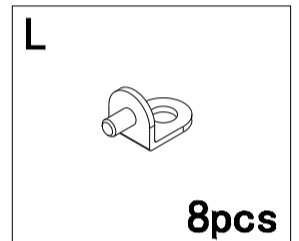
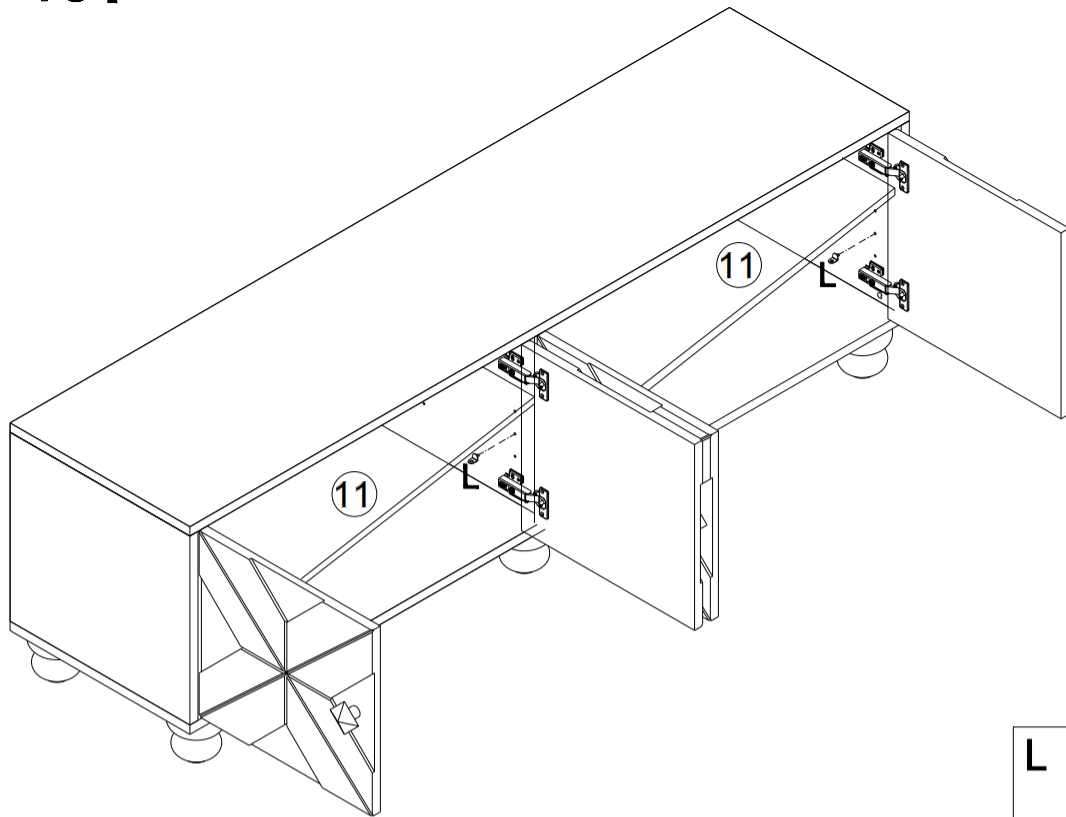
Loosen screw "B" and adjust door, if the door can not be adjusted, please loosen screw "C", then try again. Tighten screw "B" and "C".



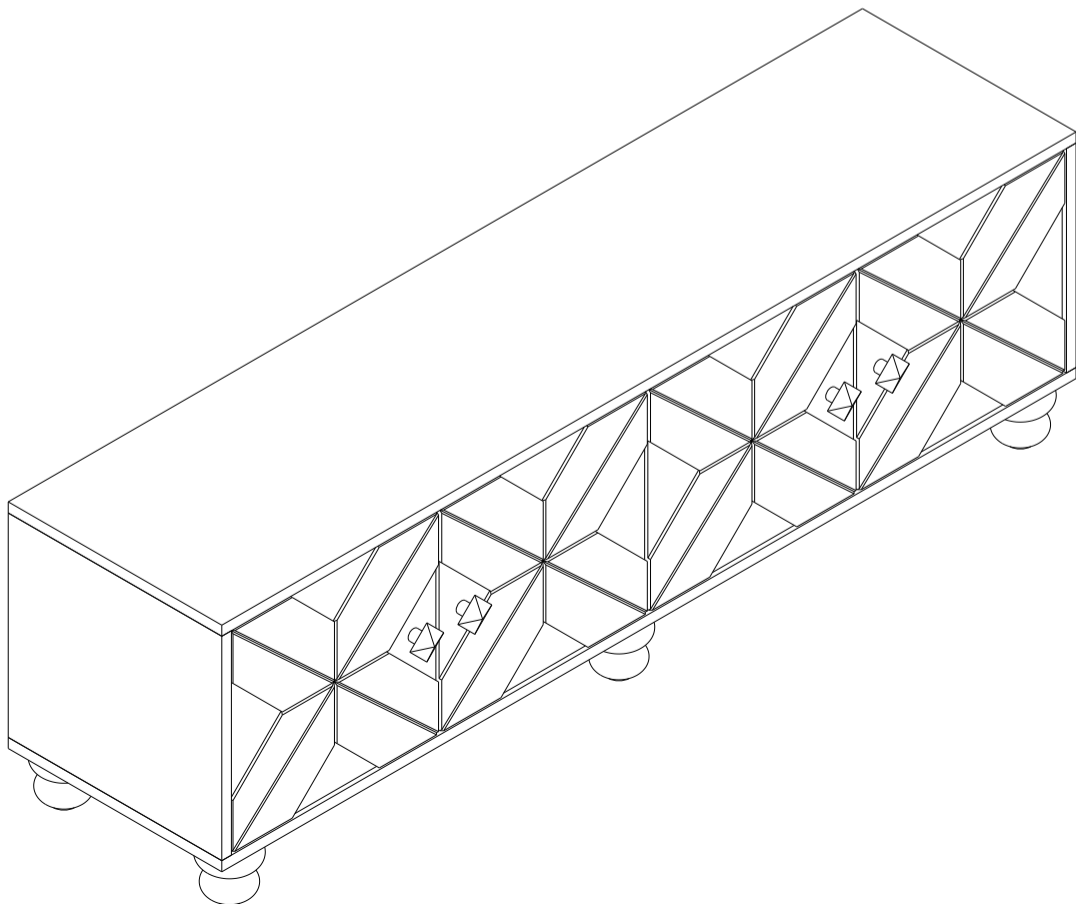
**To adjust side ways.**

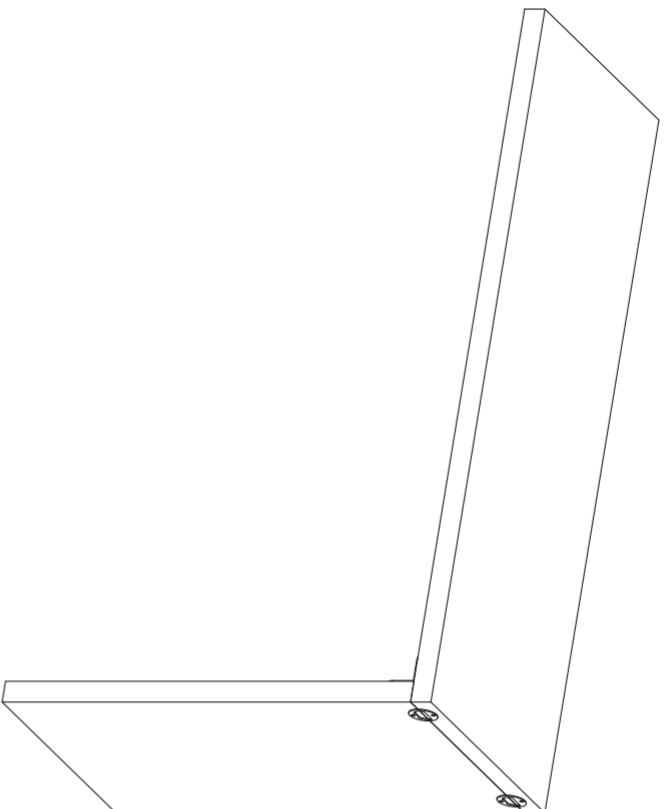
Turning the screw "C" on BOTH hinges on each door.

## Step 15:



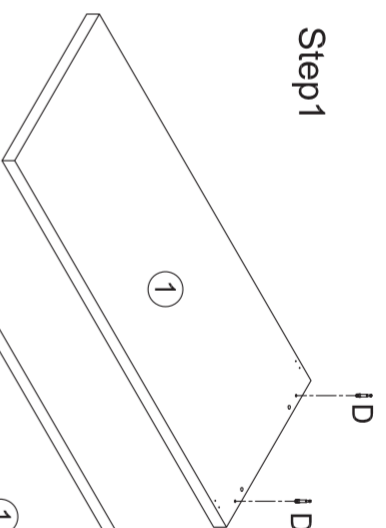
## Step 16:



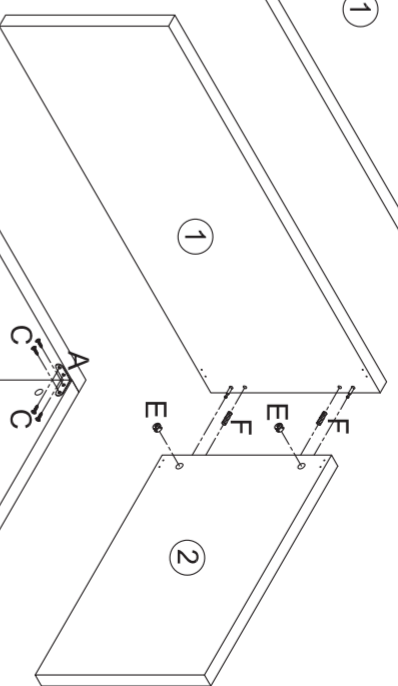


1	1pc	2	1pc	A	2pcs	B	2pcs	C	12pcs
D	2pcs	E	2pcs	F	2pcs				

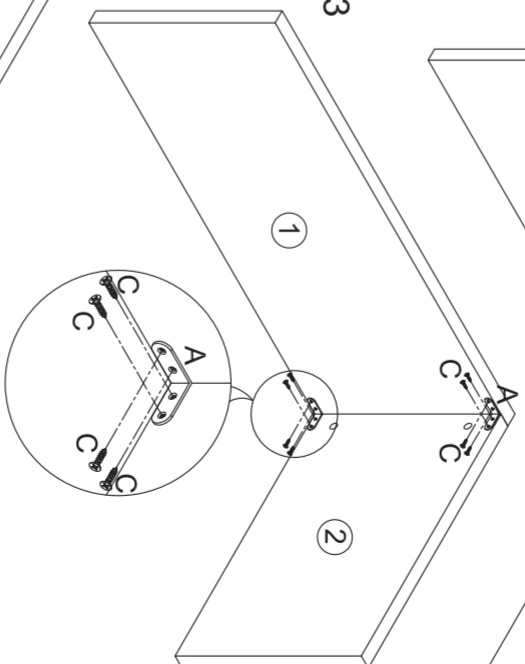
Step1



Step2



Step3



Step4

