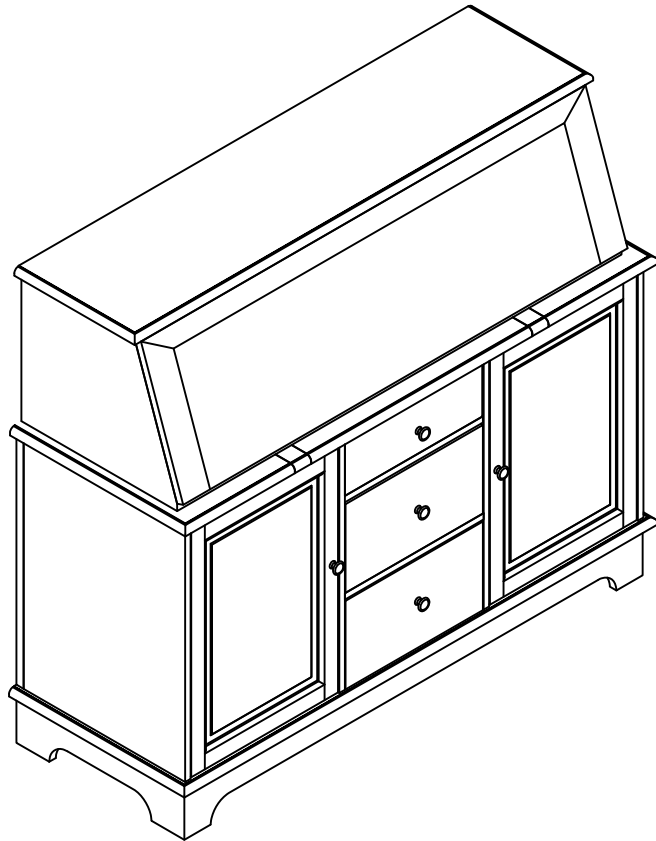


Desk



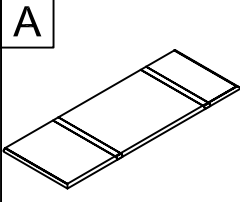
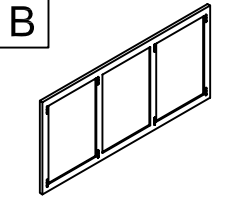
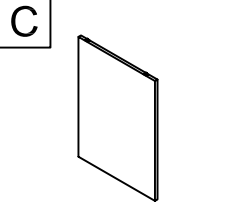
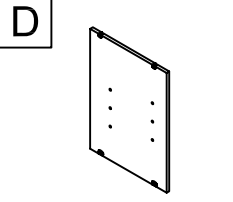
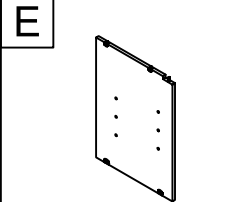
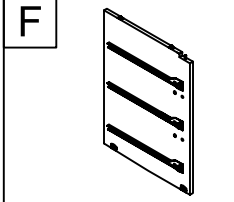
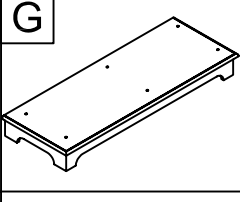
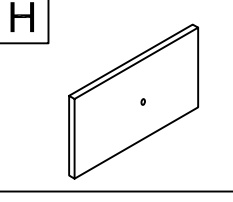
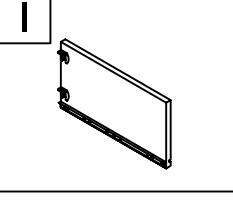
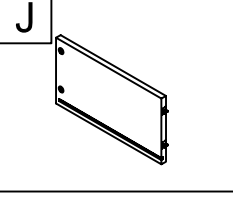
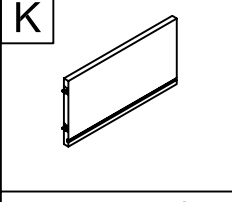
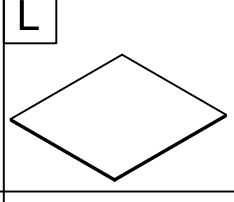
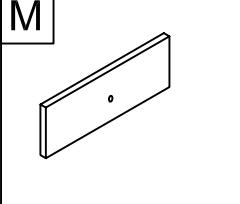
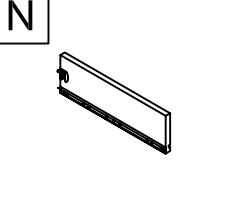
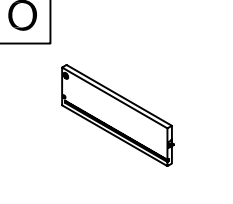
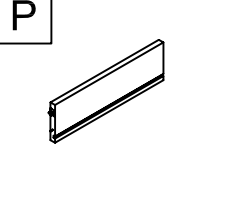
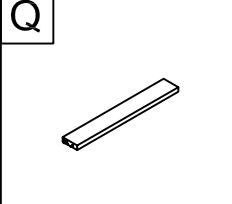
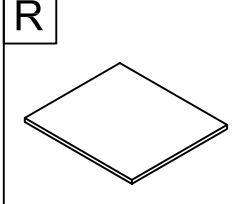
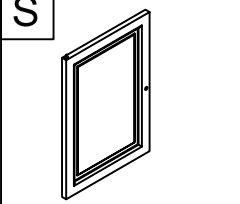
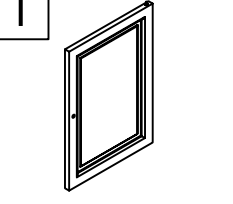
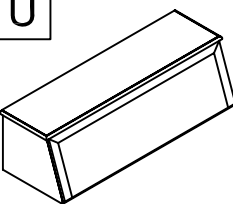
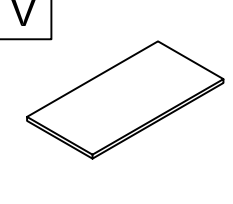
Congratulations! You have purchased a stylish piece. We strive to provide fine furniture products, built with quality materials and hand finished details. Please carefully follow the assembly instructions to ensure your furniture is assembled correctly to provide long lasting enjoyment.

Our products are warranted against defects in material and workmanship for a period of 90 days beginning from the date of sale.

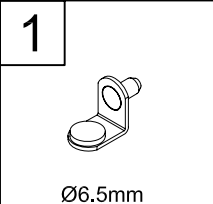
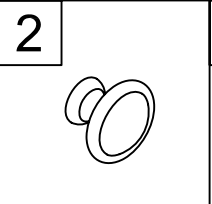
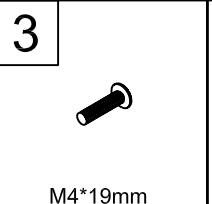
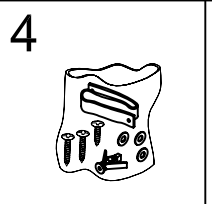
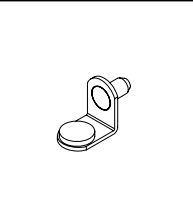
Should you experience any damaged, defective, or missing parts, or need help with assembly, please call us directly before contacting the retailer.

Care: Use a soft clean cloth that will not scratch the surface when dusting. Use of furniture polish is not necessary. Should you choose to use polishes, test in an inconspicuous area first. Use of solvents of any kind may damage your furniture's finish. TO clean, simply use a soft clean cloth moistened with lukewarm water, then buff with a dry soft clean cloth.

Parts List

A 	B 	C 	D 	E 	F 
Top 1 PC	Back Panel 1 PC	Left Side Panel 1 PC	Right Side Panel 1 PC	Left Vertical Panel 1 PC	Right Vertical Panel 1 PC
G 	H 	I 	J 	K 	L 
Bottom Panel 1 PC	The Front of Bottom Drawer 2 PCS	Left Side Panel of Bottom Drawer 2 PCS	Right Side Panel of Bottom Drawer 2 PCS	Back Panel of Bottom Drawer 2 PCS	Drawer Bottom Panel 3 PCS
M 	N 	O 	P 	Q 	R 
The Front of Top Drawer 1 PC	Left Side Panel of Top Drawer 1 PC	Right side Panel of Top Drawer 1 PC	Back panel of Top Drawer 1 PC	Front Upper Rail 2 PCS	Adjustable Shelf 2 PCS
S 	T 	U 	V 		
Left Door 1 PC	Right Door 1 PC	Hutch(Packed In Individual Carton) 1 PC	Adjustable Shelf of Hutch(Packed in Hutch carton) 1 PC		

Hardware List

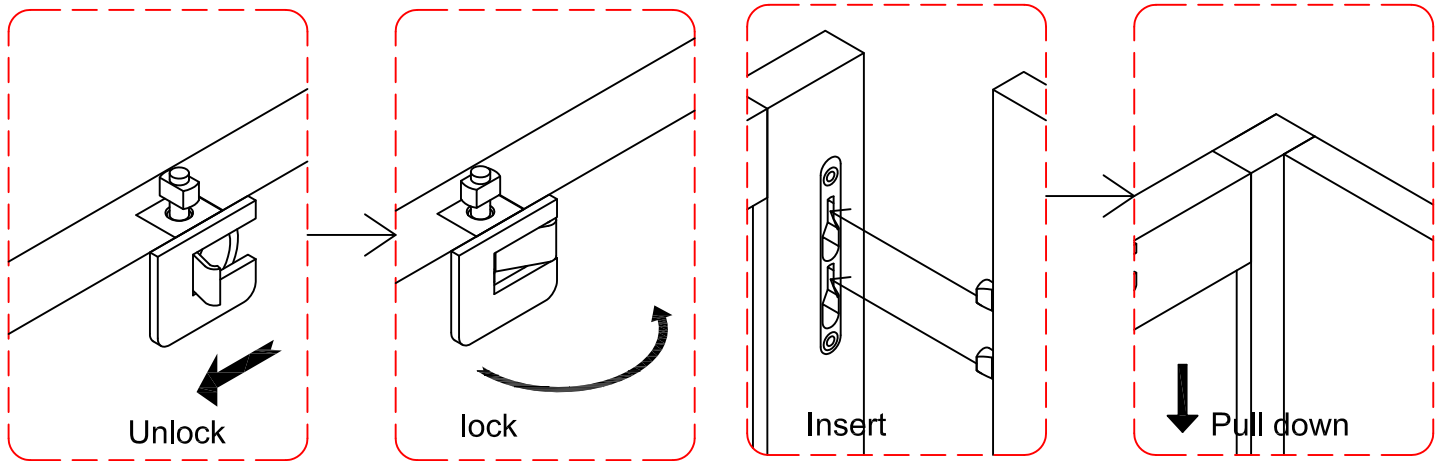
1 	2 	3 	4 	
Ø6.5mm		M4*19mm		
Shelf Holder 12 PCS	Knob 5 PCS	Round Head Bolt 5 PCS	Anti-tip hardware 1 SET	Shelf Holder (Extra 2)

ADDITIONAL TOOLS(Not Provided)



Phillips Head Screw Driver

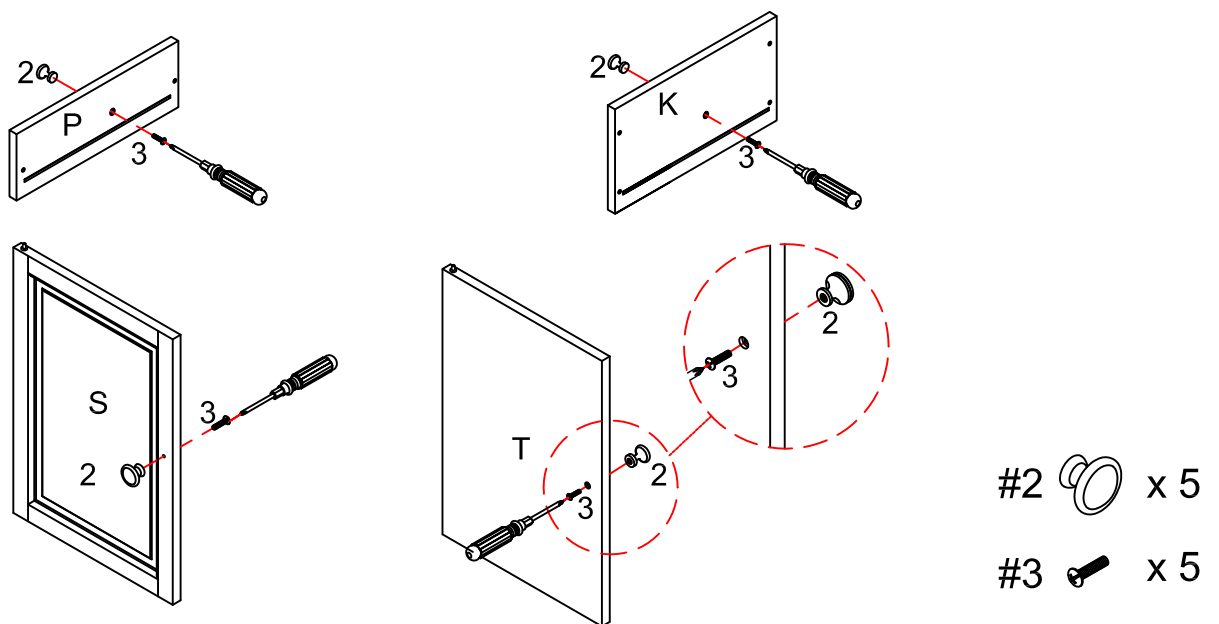
Please do not use tools to assemble this unit unless specifically indicated.



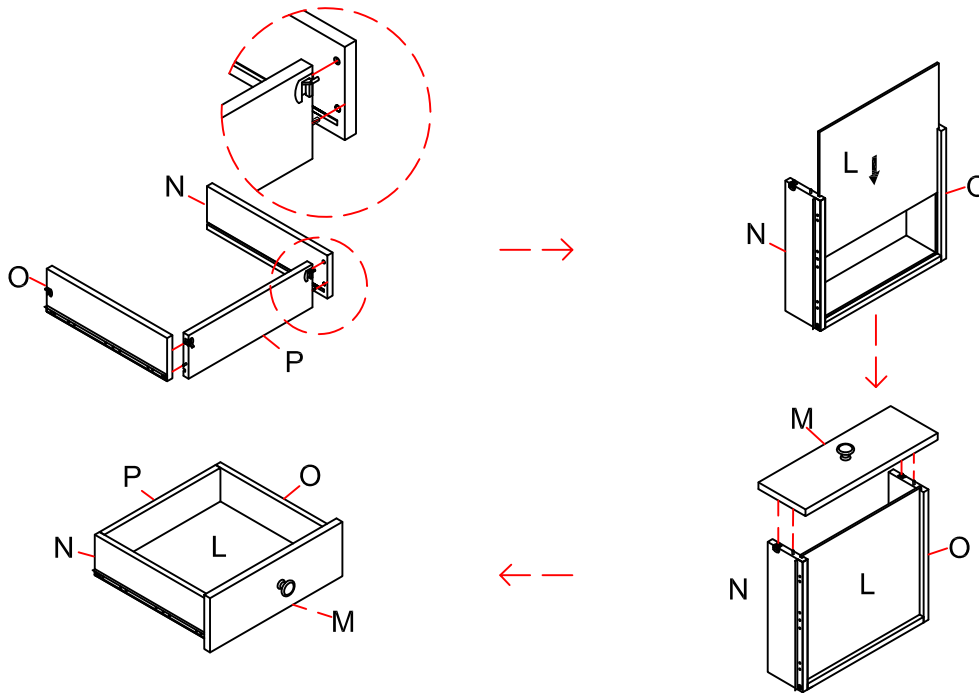
Reference the images above any time the instructions state "lock the hardware" or "insert hardware and pull down to lock".

Note: Be sure to check all hardware is locked when complete.

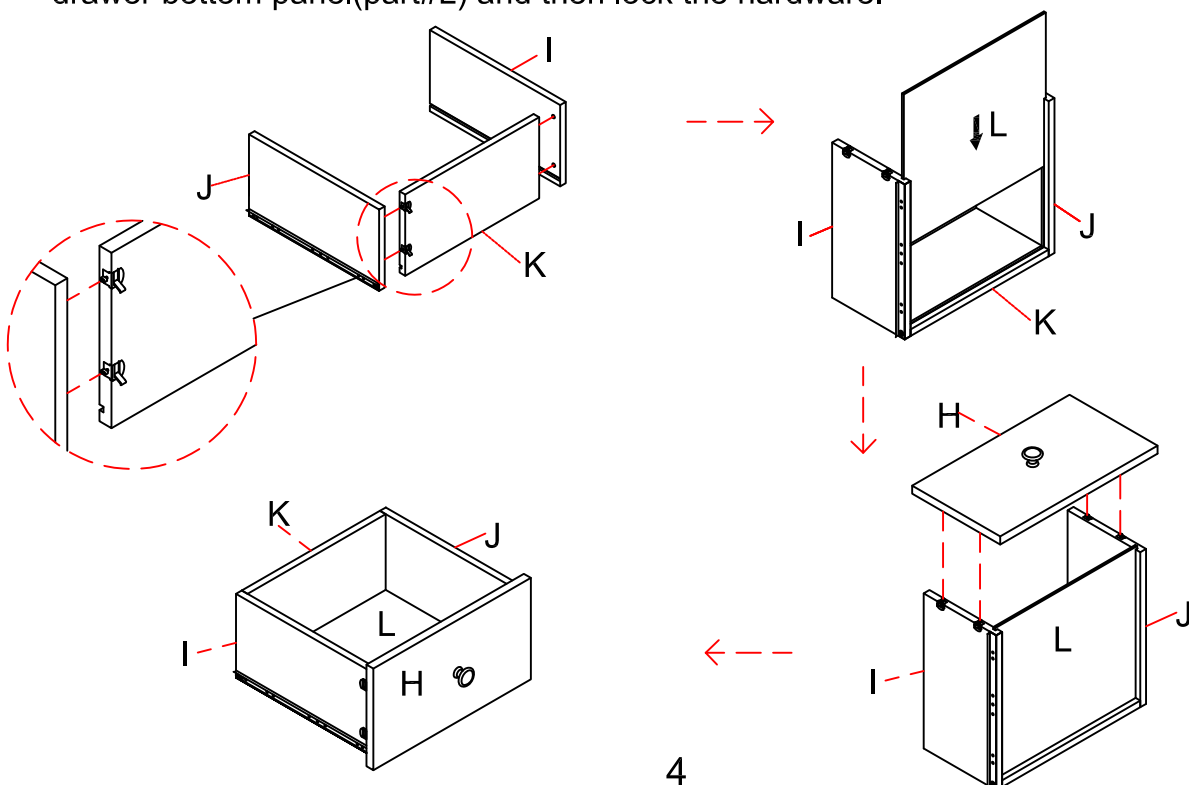
Step 1. Attach knobs(part#2) to the front of top drawer(part#P),the front of bottom drawers(part#K x 2), left door(part#S) and right door(part#T) by using round head bolts(part#3) and phillips head screw driver.



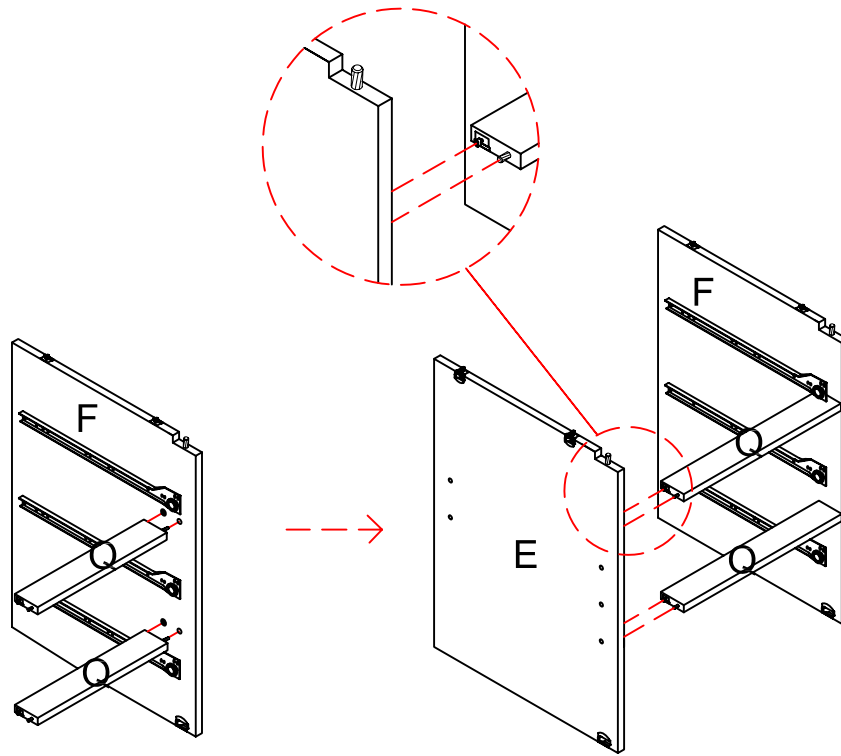
Step 2. Attach left side panel of top drawer(part#N) and right side panel of top drawer(part#O) to back panel of top drawer(part#P) and lock the hardware. Slide drawer bottom panel(part#L) into the grooves of part#N and part#O. Attach the front of top drawer(part#M) to left side panel of top drawer(part#N),right side panel of top drawer(part#O) and drawer bottom panel (part#L) and then lock the hardware.



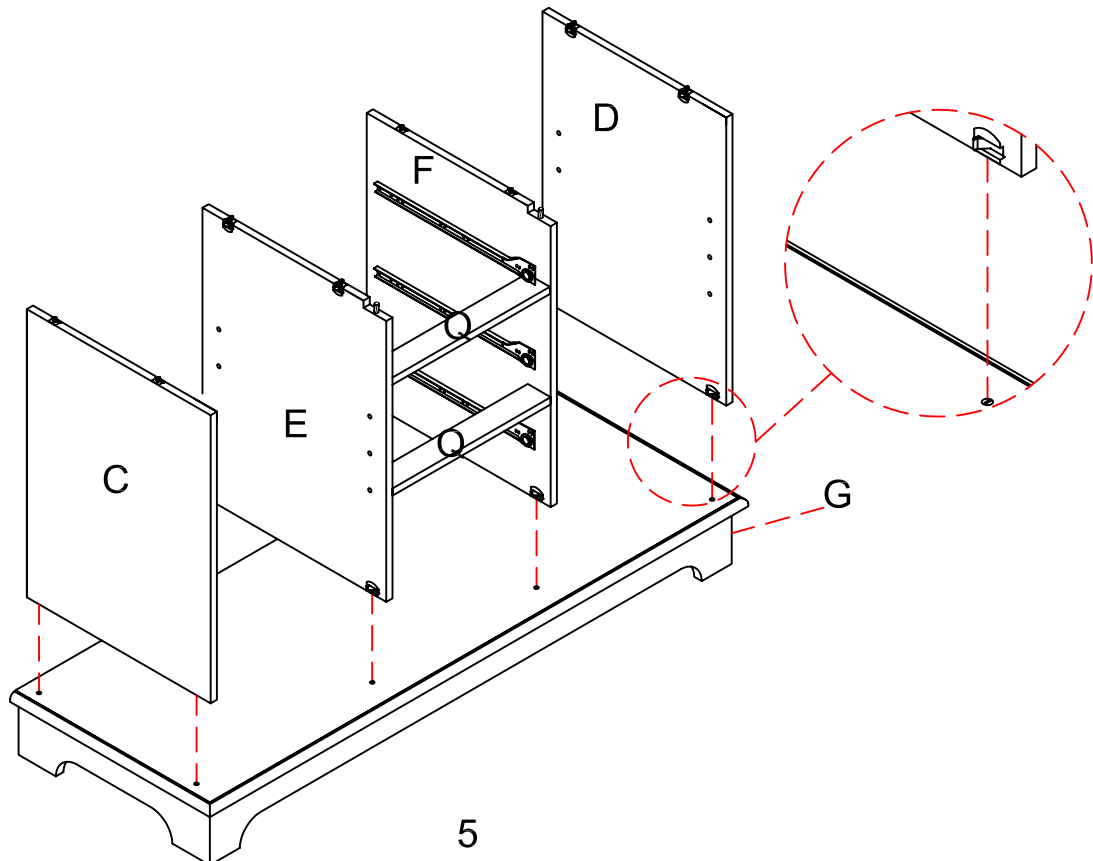
Step 3. Attach left side panel of bottom drawer(part#I) and right side panel of bottom drawer(part#J) to back panel of bottom drawer(part#P) and lock the hardware. Slide drawer bottom panel(part#K) into the grooves of part#I and part#J. Attach the front of bottom drawer(part#H) to left side panel of bottom drawer(part#I),right side panel of bottom drawer(part#J) and drawer bottom panel (part#L) and then lock the hardware.



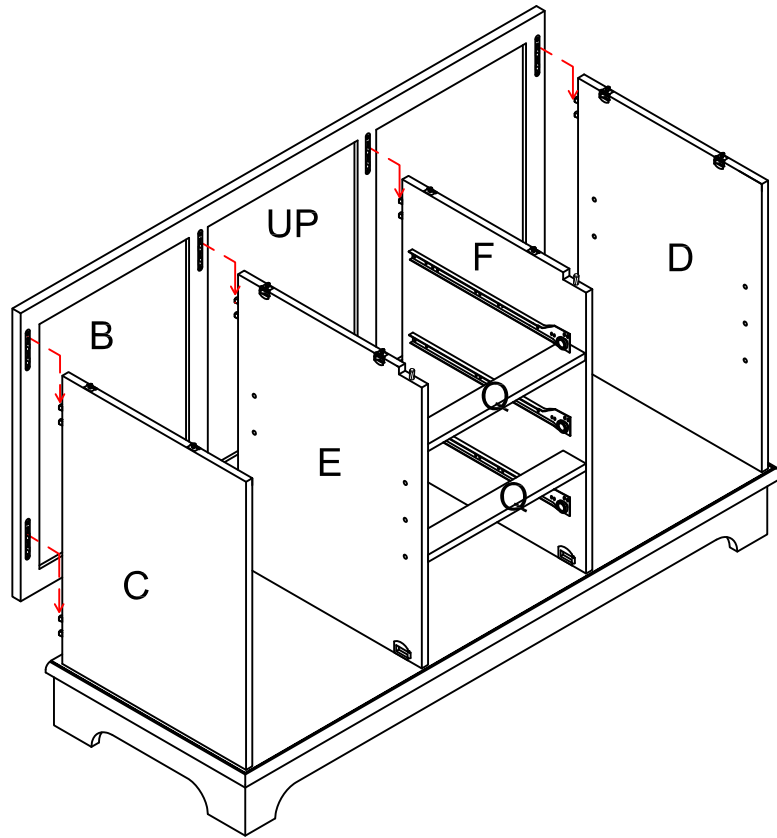
Step 4. Attach front upper rails(part#Q) to left vertical panel(part#E) and right vertical panel(part#F) with wood dowels(pre-assembled) and lock the hardware.



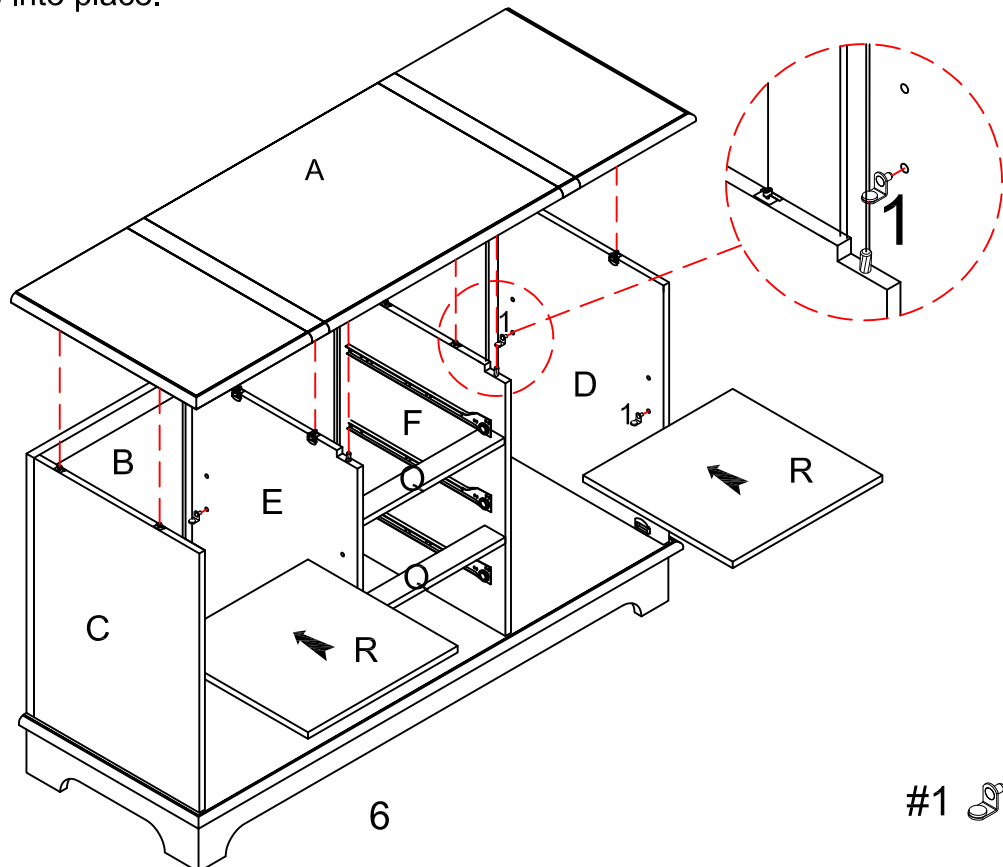
Step 5. Attach left side panel(part#C),right side panel(part#D),left vertical panel(part#E) & right vertical panel(part#F)to bottom panel(part#G) and lock the hardware.



Step 6. Attach back panel(part#B) to left side panel(part#C),right side panel(part#D),left vertical panel(part#E) & right vertical panel(part#F). Insert hardware and pull down to lock.

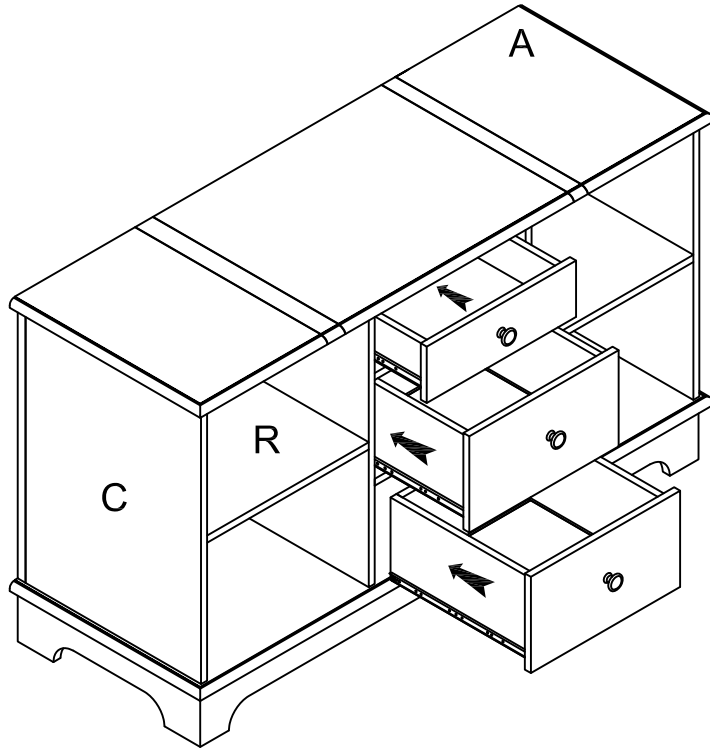


Step 7. Attach top(part#A) to left side panel(part#C),right side panel(part#D),left vertical panel (part#E),right vertical panel(part#F) & back panel(part#B) with wood dowels(pre-assembled) and lock the hardware.Insert shelf holders(part#I) into desired position and slide adjustable shelves(part#R) into place.

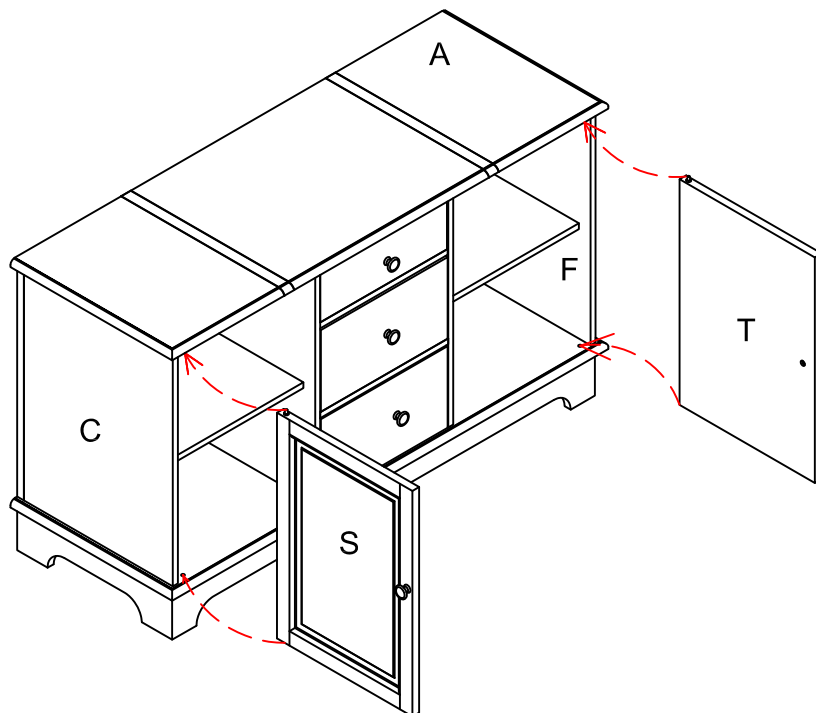


#1  x 8

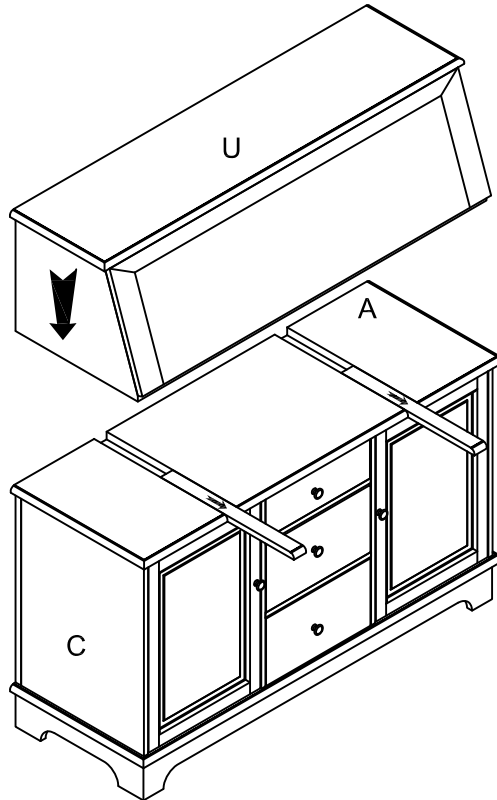
Step 8. Slide completed drawers into place.



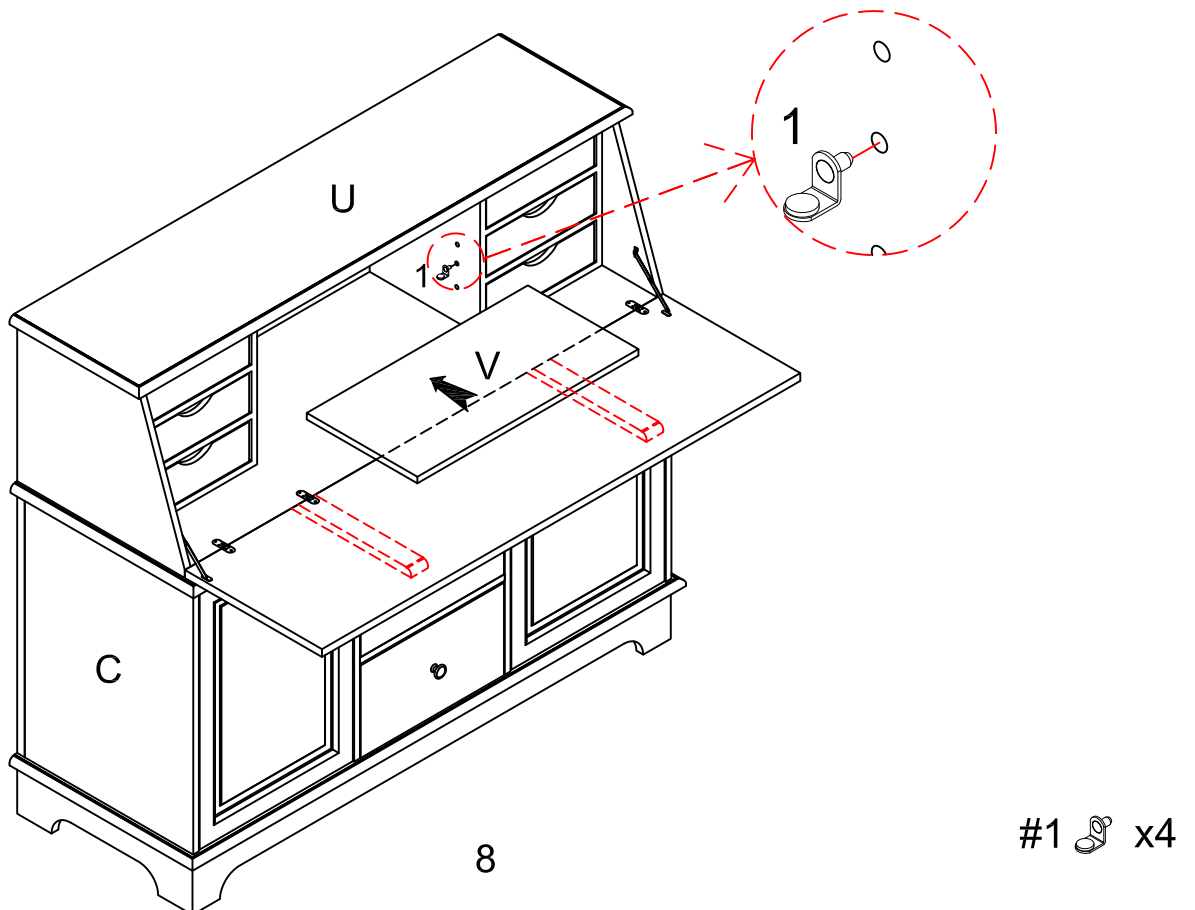
Step 9. Attach left door(part#S) and right door(part#T) to unit using pin hinges.



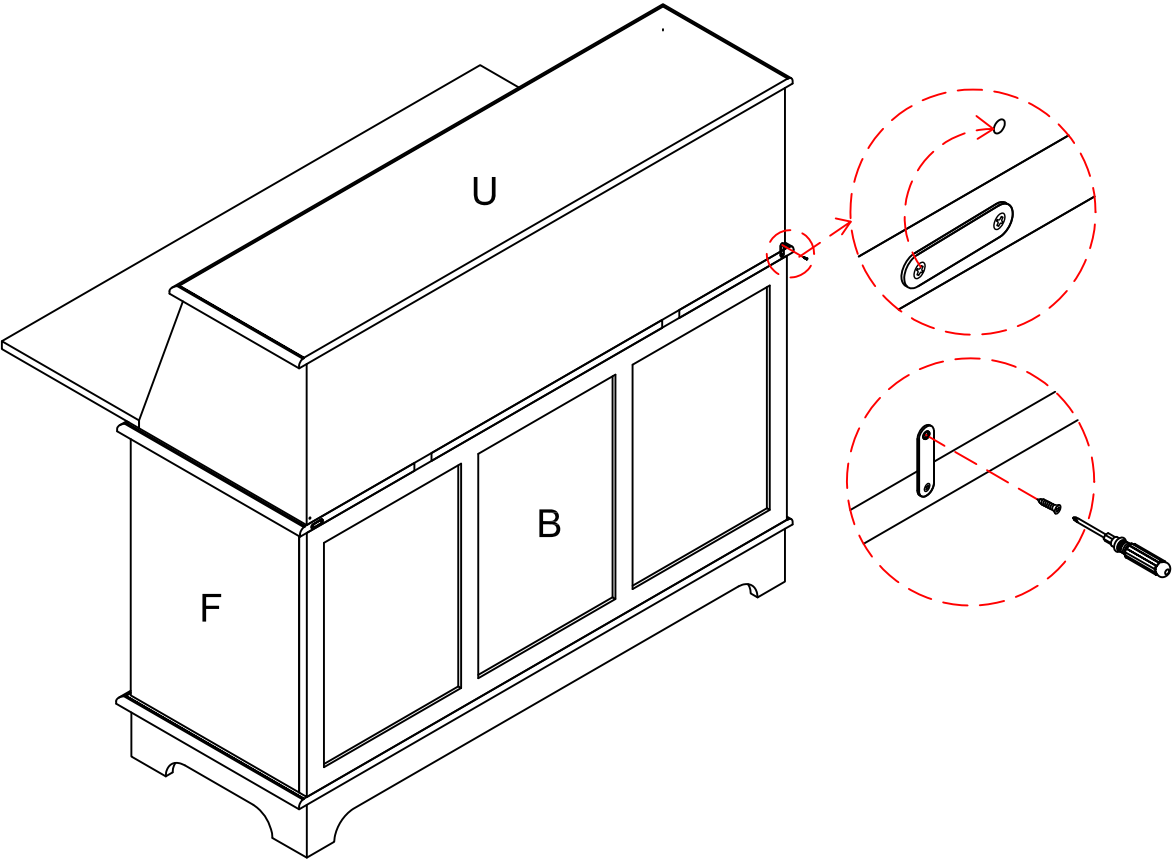
Step 10. Install the hutch(Part # U) on top of the desk.
IMPORTANT: Do not open hutch door without extending support rails in part#A.




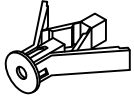

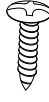
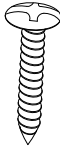
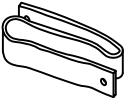
Step 11. Insert shelf holders(part#1) into desired position, and slide adjustable shelf(part#V) into place.



Step 12. Undo one screw from Part#A and turn the metal panel to guide holes in hutch(part#U). Reattach screw using phillips head screw driver.



Step 13.

4	A	B	C	D	E
					
Safety strap kit 1 SET	Wall Anchor 1 PC	Washer 1 PC	Short Screw 1 PC	Long Screw 1 PC	Safety Wall Strap 1 PC

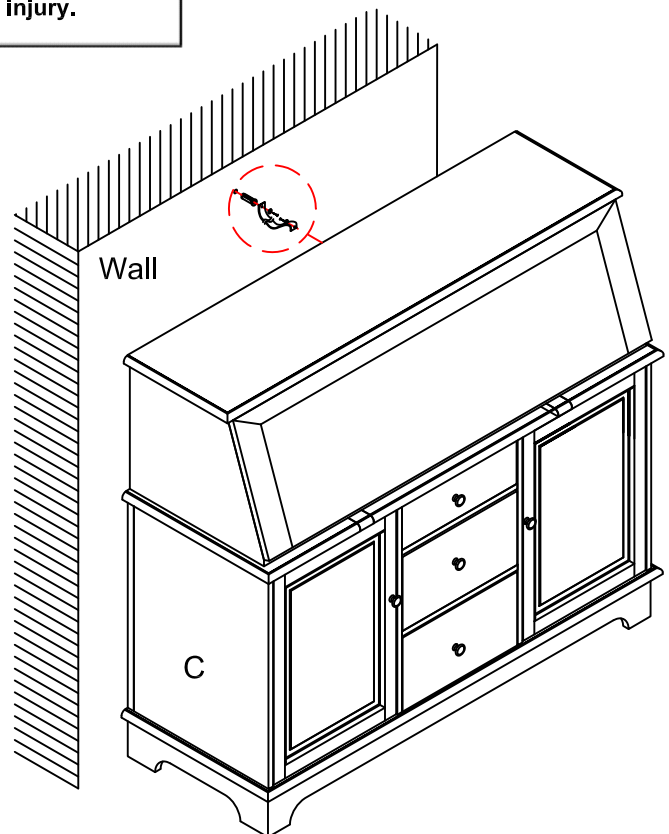
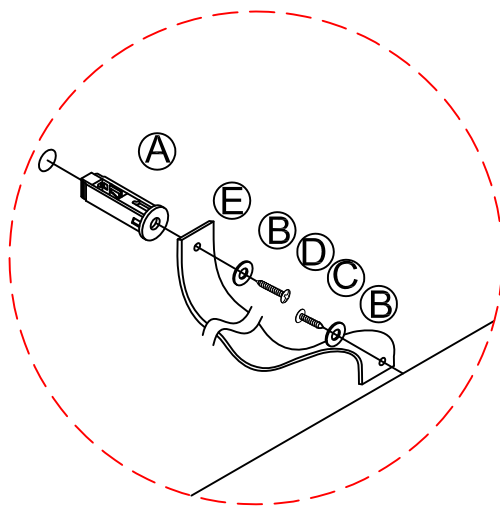
SAFETY WALL STRAP ASSEMBLY INSTRUCTION

1. Insert Short Screw(Part#C) through Washer(Part#B) and Safety Wall Strap(Part#E) and Screw it into the top of the hutch (Part#U).
2. Drill a 9mm hole at a point where you want to secure your unit. The hole should be at the same height as hole in (part#U) of the unit. Tap wall anchor part(A) into the hole.
3. Insert Long Screw (Part#D) through a Washer (Part#B) and Wall Safety Strap (Part#E) into Wall Anchor (Part#A).

⚠ WARNING



Warning, Severe injury may occur if furniture tips over. Place heavier items on lower shelves. Do not allow children to climb or play on this product. Please follow instructions below to install anti-tipping hardware. Failure to follow these instructions can result in death or serious injury.



Limited Manufacturers Warranty

Our products are warranted against defects in material and workmanship for a period of 90 days beginning from the date of sale.

Should you experience any damaged, defective, or missing parts, or need help with assembly, please call us directly before contacting the retailer.