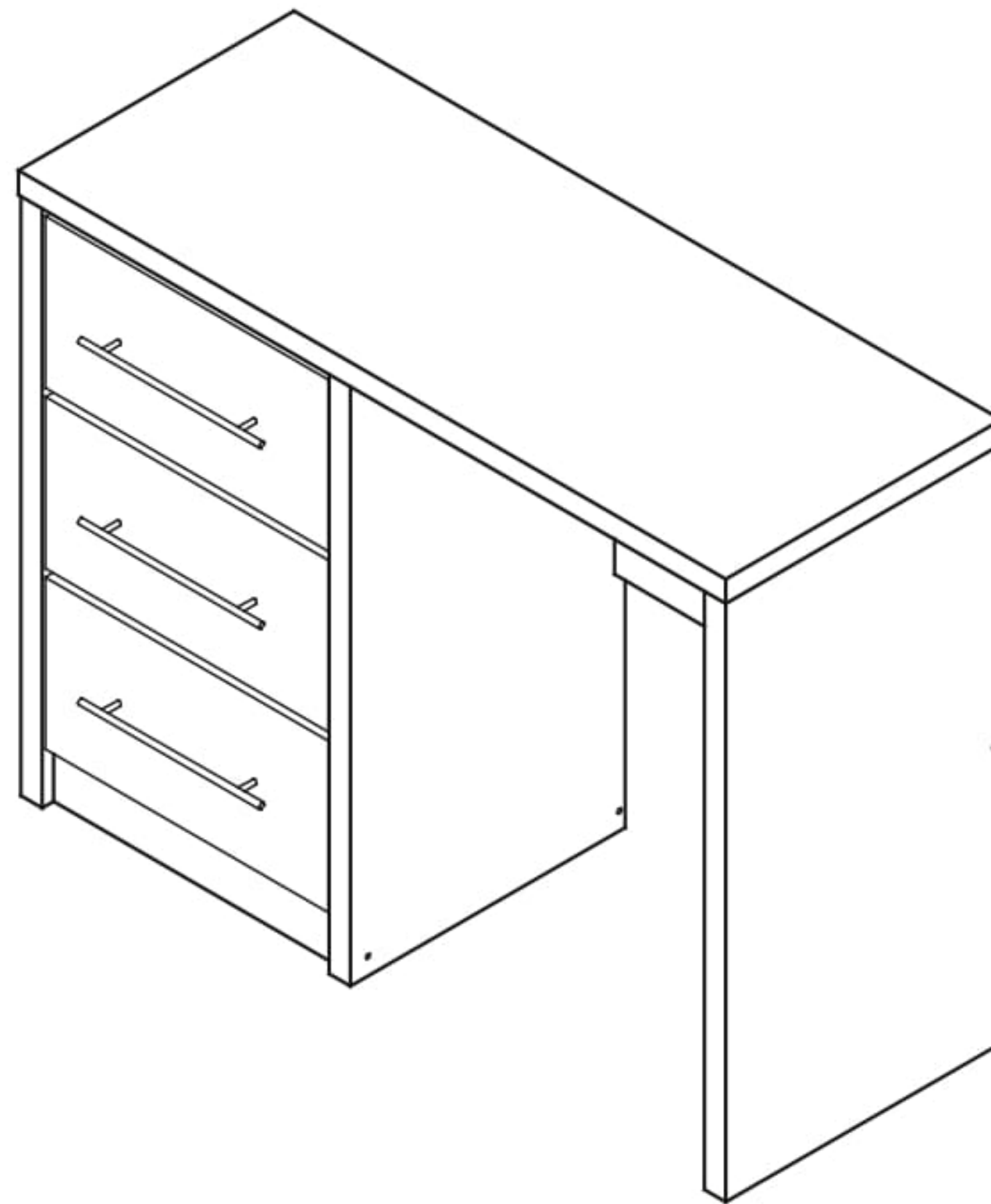


# ASSEMBLY INSTRUCTIONS



## FOR DOMESTIC USE ONLY IMPORTANT

### PLEASE READ BEFORE YOU CONTINUE FURTHER

THE PRODUCT YOU HAVE PURCHASED WILL GIVE YOU MANY YEARS OF SERVICE IF YOU FOLLOW THE GUIDELINES FOR ITS SAFE ASSEMBLY AND PERIODIC MAINTENANCE AND CLEANING.

ASSEMBLE ON A SOFT CLEAN SURFACE.

DO NOT USE ANY TOOLS OTHER THAN THOSE SHOWN.

ANY SPANNERS OR ALLEN KEYS REQUIRED ARE INCLUDED WITH THE FITTINGS KIT.

DO NOT FOR ANY REASON USE A POWER TOOL TO ASSEMBLE THIS PRODUCT. ITS USE WILL INVALIDATE ANY CLAIM YOU MAY HAVE AND COULD MAKE THIS PRODUCT UNSAFE.

DEPENDING ON THE AMOUNT OF USE THIS PRODUCT RECEIVES, IT MAY BE NECESSARY TO TIGHTEN UP THE FIXINGS FROM TIME TO TIME. THIS IS COMPLETELY NORMAL FOR ANY FLAT PACK FURNITURE. DO NOT OVERTIGHTEN FIXINGS.



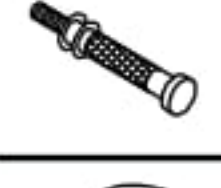

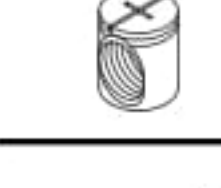



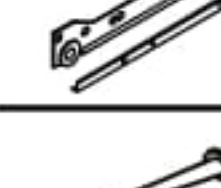


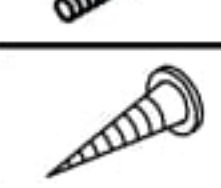

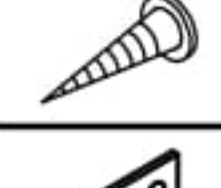
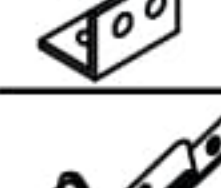


FOR CLEANING, YOU MAY USE A DAMP CLOTH (NOT WET). DO NOT USE POLISH, DETERGENT OR CHEMICAL CLEANERS.

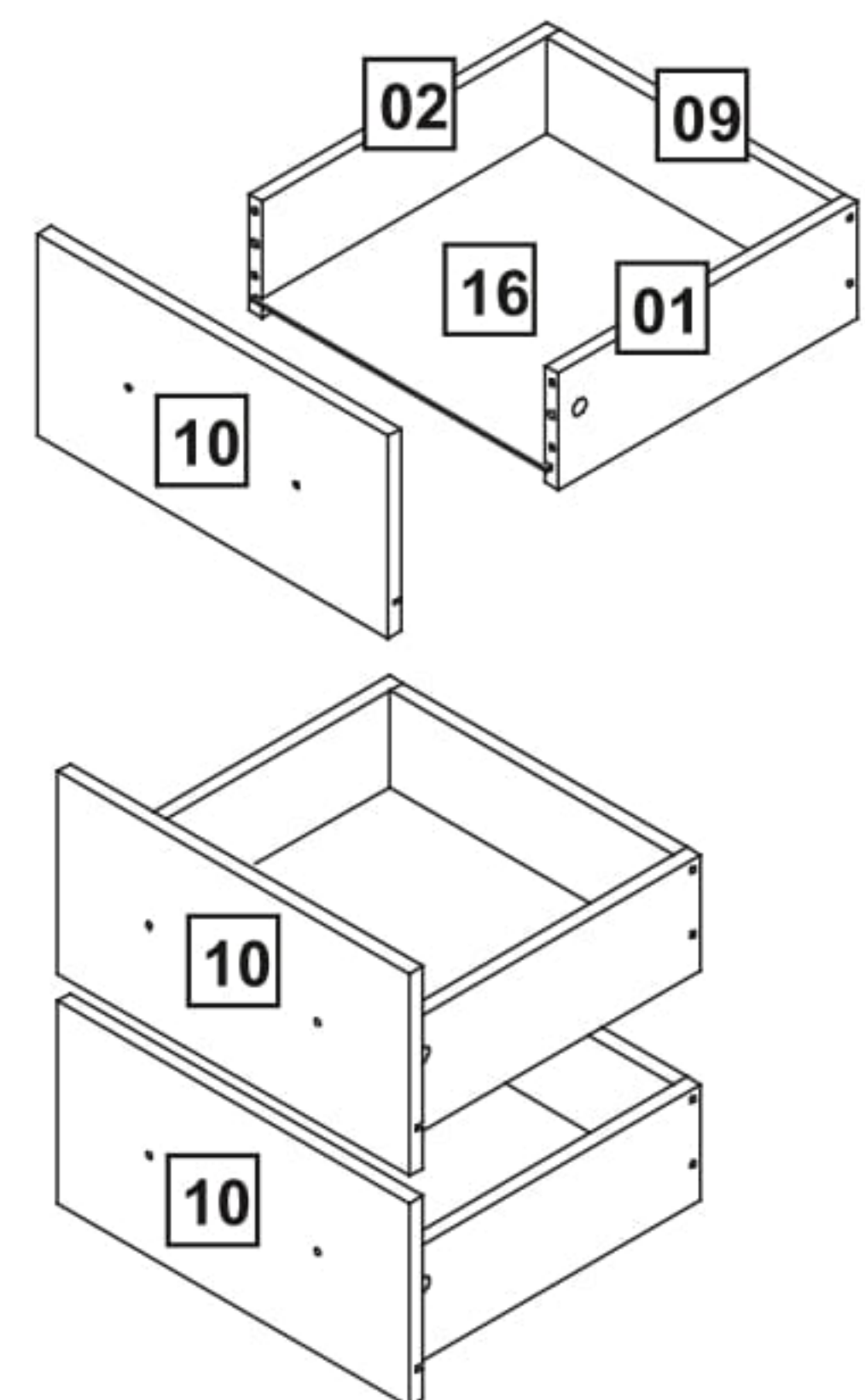
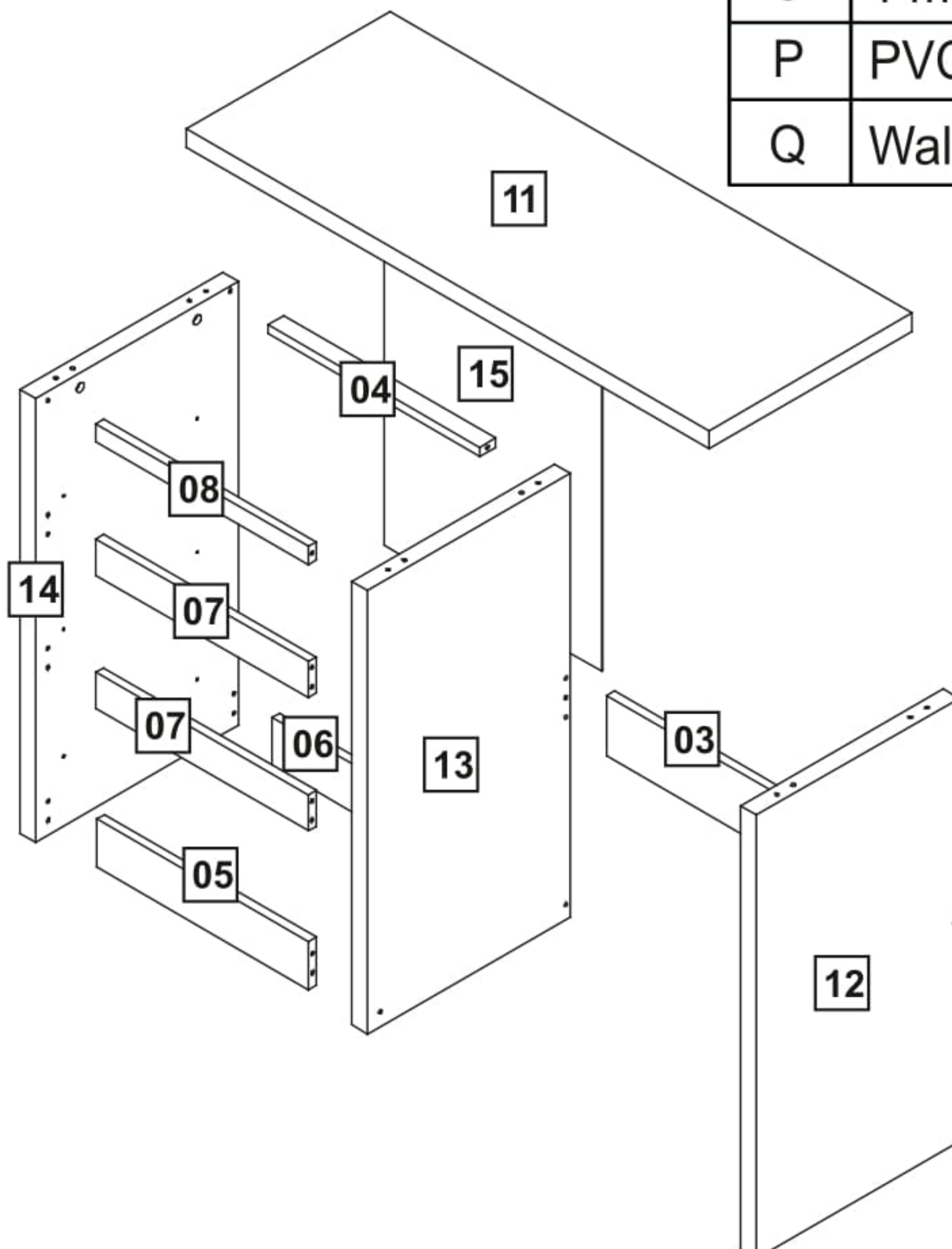
THE SURFACE OF THIS ITEM IS NOT HEAT RESISTANT. ALWAYS USE A PLACE MAT UNDER HOT OR COLD ITEMS TO PREVENT MARKING.

## PART LIST

## HARDWARE LIST

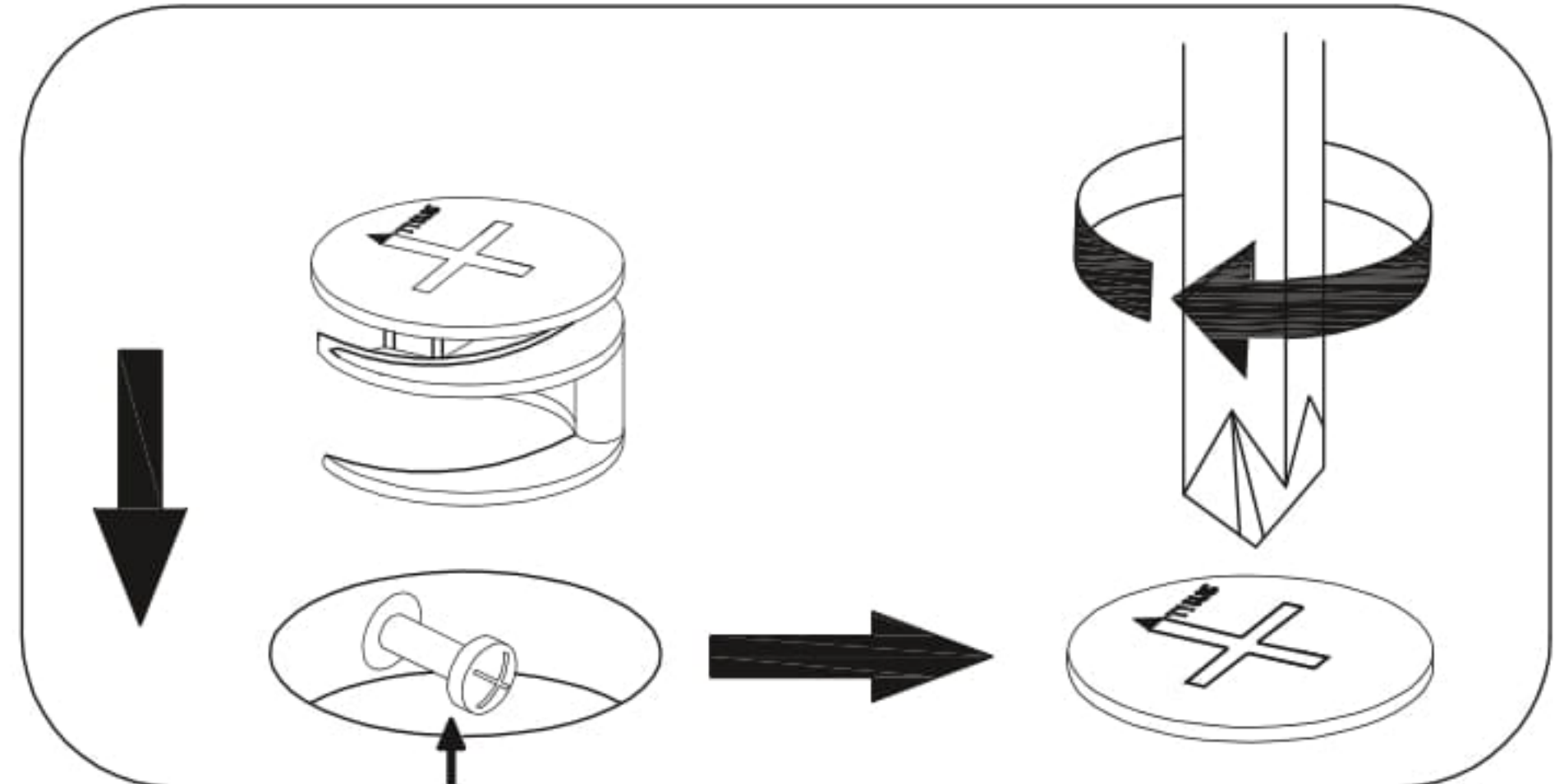
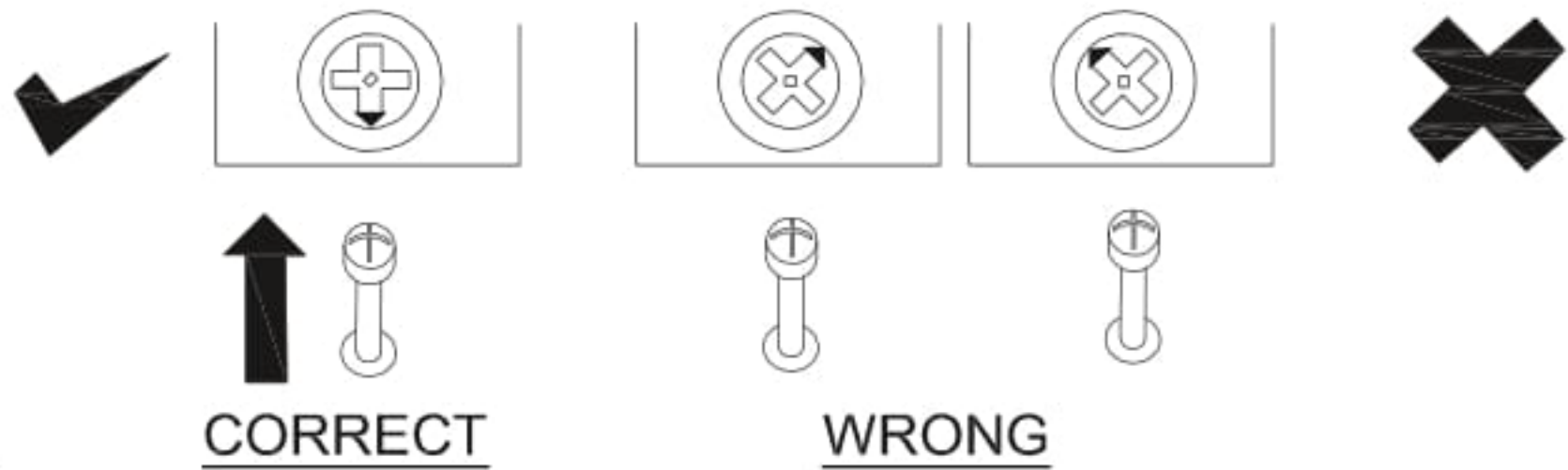
CARTON 1 OF 2		
No.	Part Name	QTY
01	Right Drawer Side	x3
02	Left Drawer Side	x3
03	Large Support Panel	x1
04	Top Support Panel (Back)	x1
05	Bottom Support Panel(Front)	x1
06	Bottom Support Panel(Back)	x1
07	Small Support Panel	x2
08	Top Support Panel (Front)	x1
09	Drawer Back	x3
10	Drawer Front	x3
11	Top Panel	x1
12	Right Side Panel	x1
13	Centre Side Panel	x1
14	Left Side Panel	x1
15	Back Panel	x1
16	Drawer Base	x3

CARTON 1 OF 2			
No.	Part Name		QTY
A	Wooden Dowel ( 8x25mm )		x38
B	65mm Screw JCBC ( Rambo 5x65mm )		x2
C	Minifix Cam Bolt ( 8032t )		x12
D	Minifix Cam Nut ( 1512 )		x12
E	Connecting Pin ( M6x13mm Baller )		x2
F	Allen Key ( M4 )		x1
G	Plastic Foot		x6
H	Screw Cover ( Sticker 12mm )		x6
I	14" Drawer Slide (0.9mm W (vkt)		x3Set
J	6/8" Nail		x30
K	10" Handle ( 192mm )		x3
L	20mm Screw Handle		x6
M	65mm Screw ( 4x65mm )		x4
N	38mm Screw ( 4x38mm )		x12
O	14mm Screw ( 3.5x14mm )		x28
P	PVC L-Bracket		x1
Q	Wall Fixing ( 4x20mm= 1pc )		x1



# TIPS FOR FITTING CAM-LOCKS

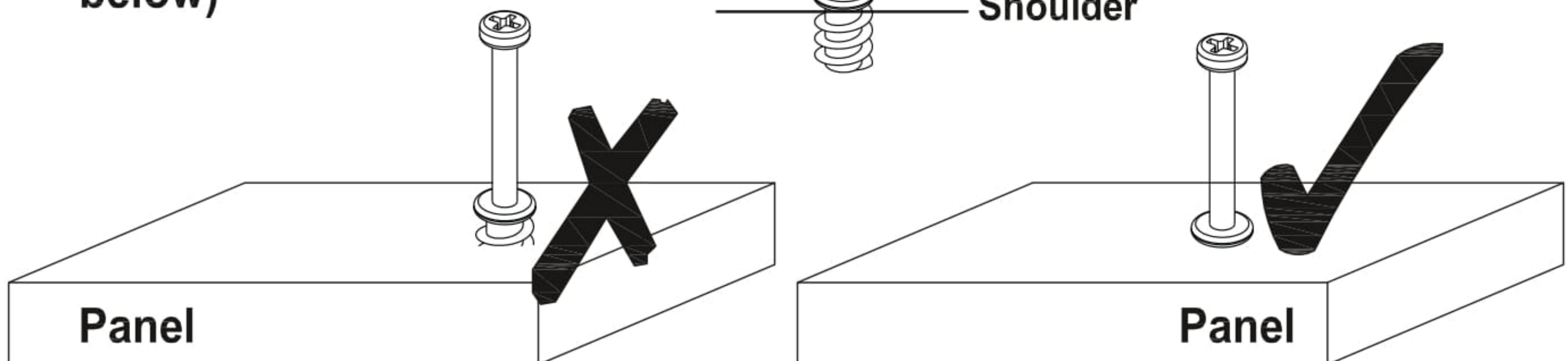
WHEN FITTING THE CAM-LOCK  
ENSURE STARTING POSITION IS CORRECT  
BEFORE YOU INSERT CONNECTING CAM BOLT  
TURN CLOCKWISE UNTIL SECURE



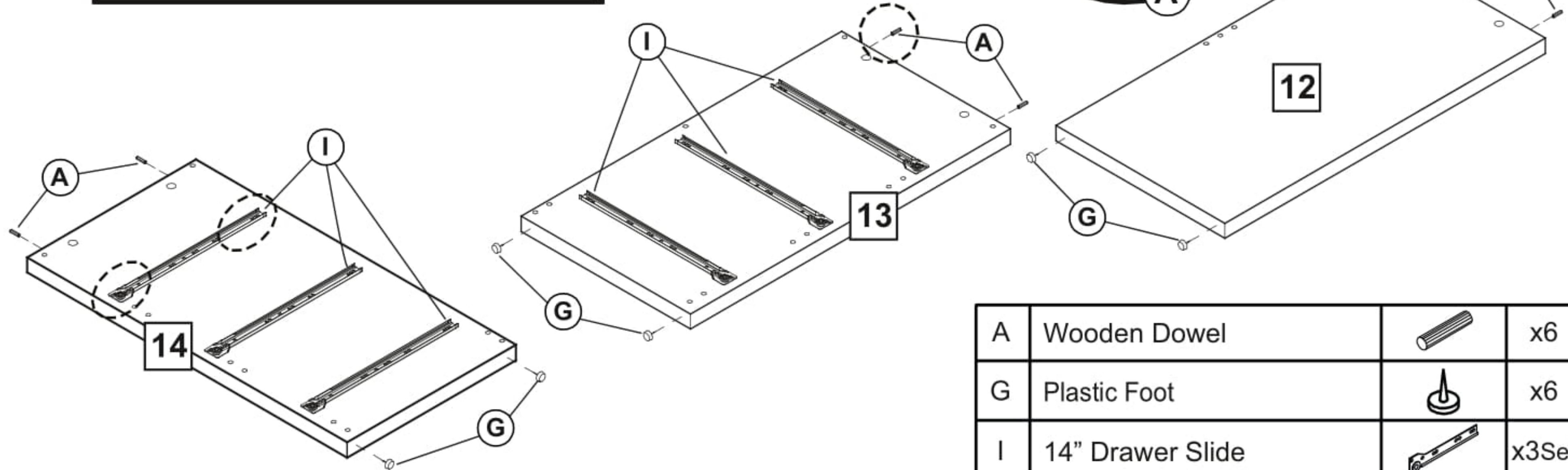
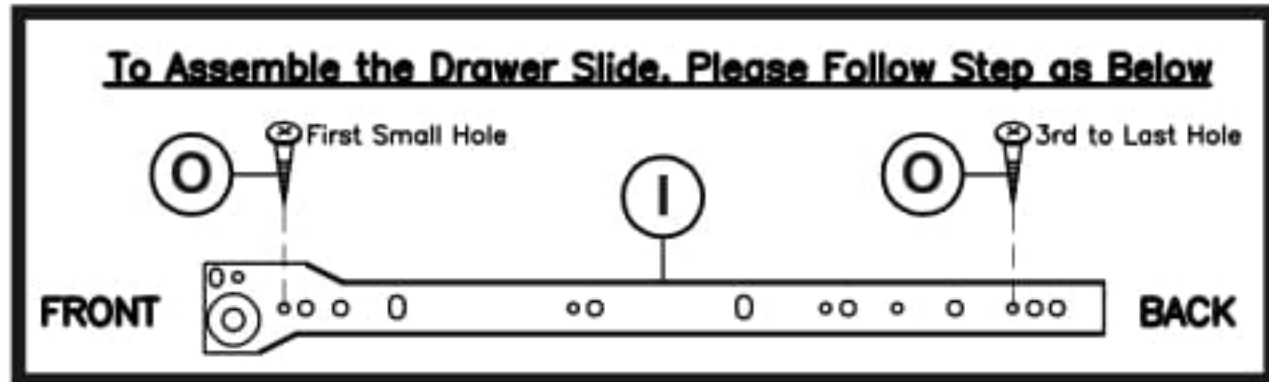
Cam bolt head needs to be in centre

## CAMBOLT

Tighten until shoulder is flush with panel. Do not overtighten or undertighten (see example below)

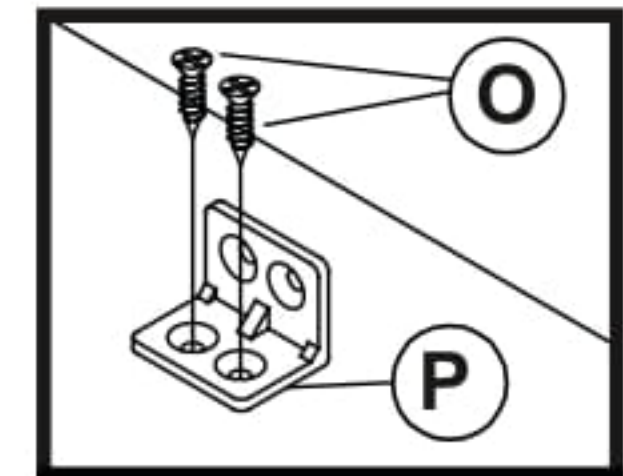
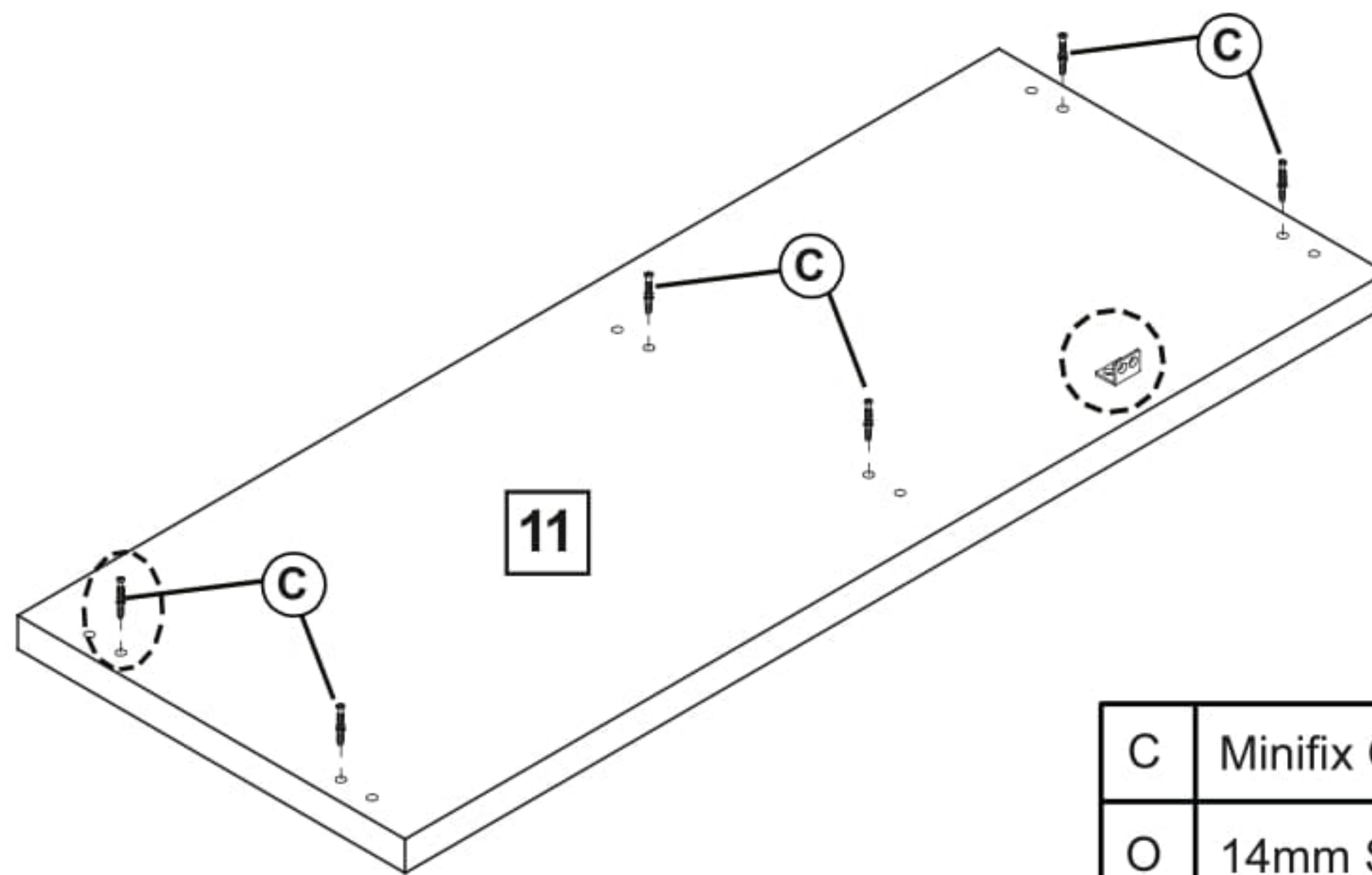
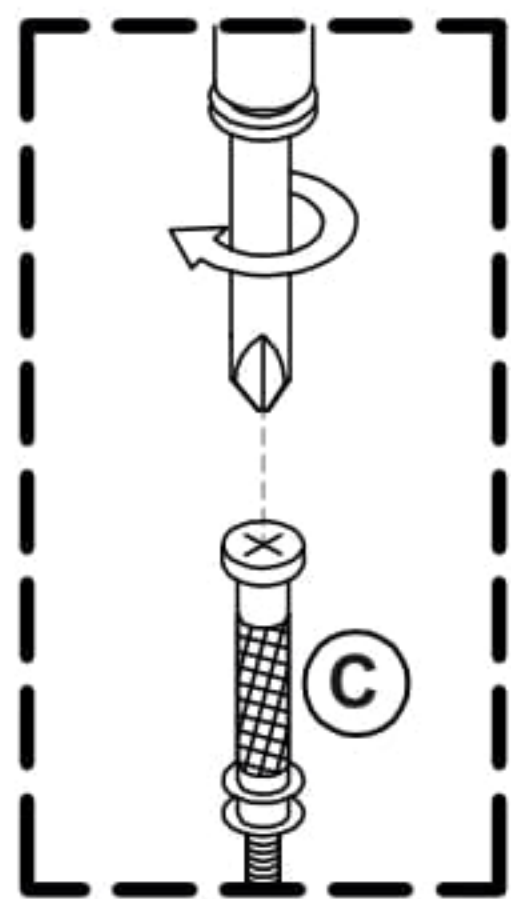


# STEP 1



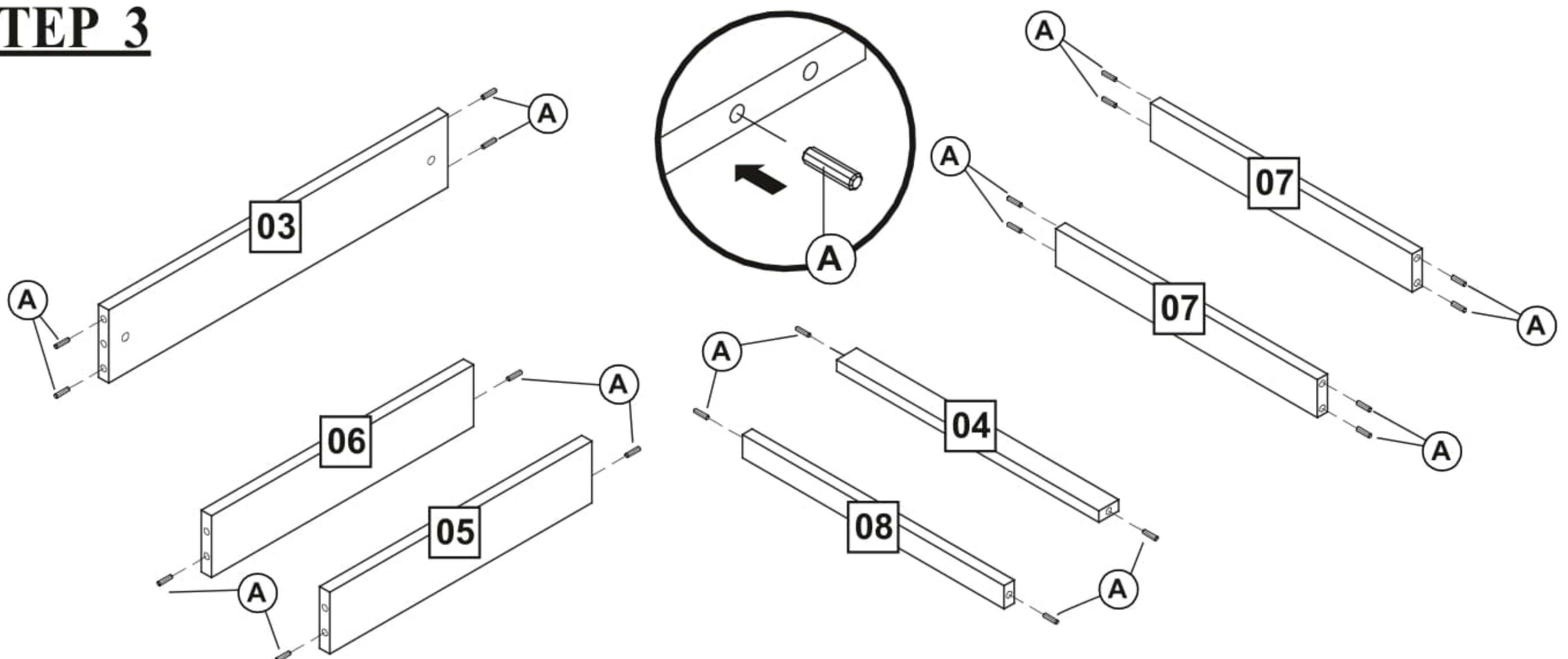
A	Wooden Dowel		x6
G	Plastic Foot		x6
I	14" Drawer Slide		x3Set
O	14mm Screw		x12

# STEP 2



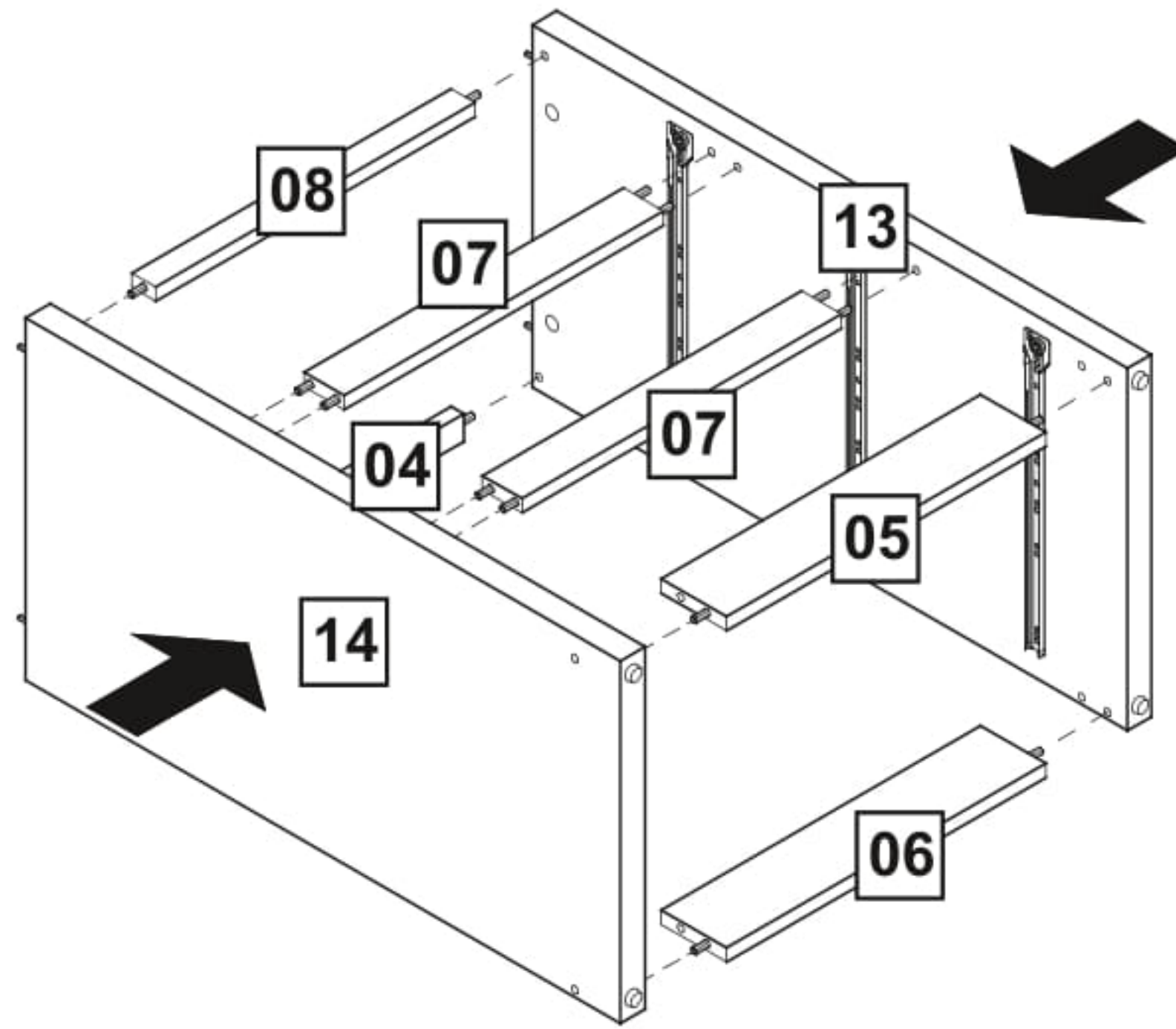
C	Minifix Cam Bolt		x6
O	14mm Screw		x2
P	PVC L-Bracket		x1

# STEP 3

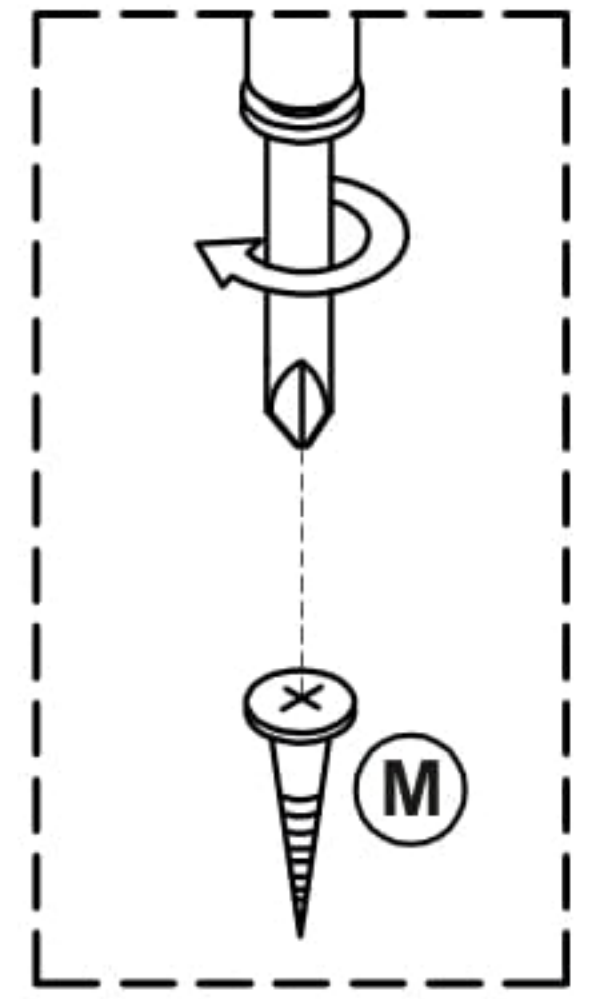
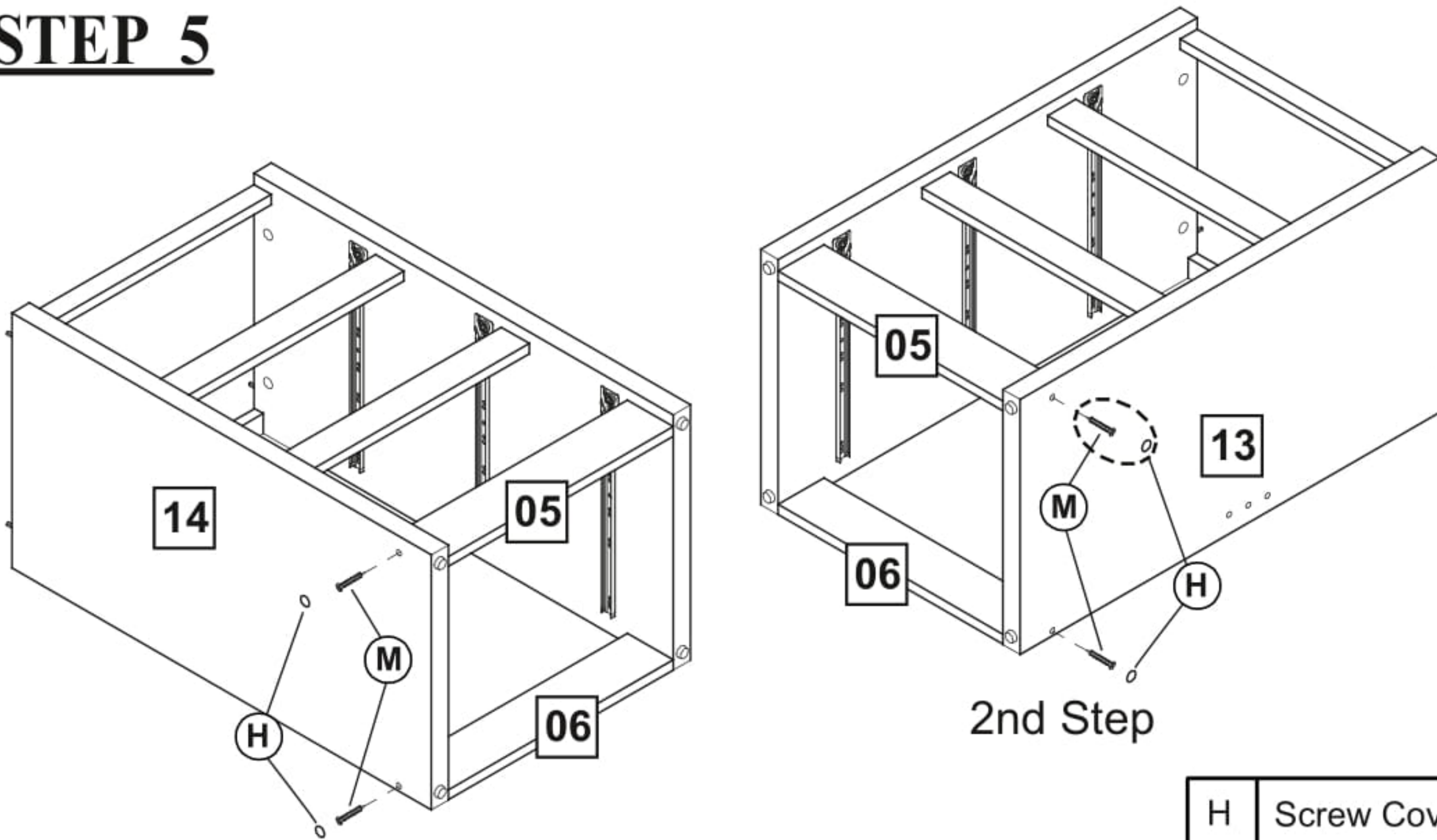


A	Wooden Dowel		x20
---	--------------	--	-----

# STEP 4



# STEP 5

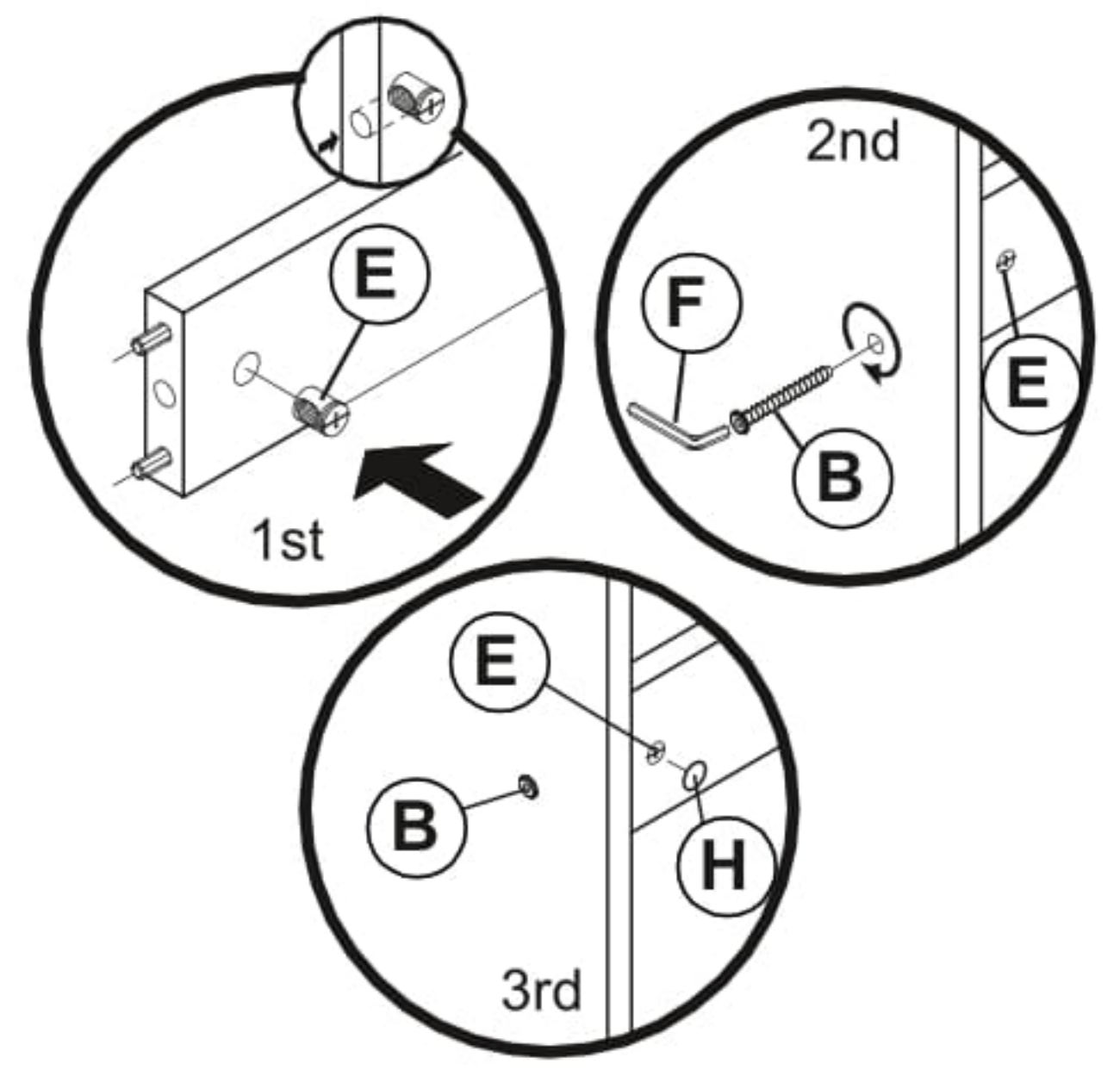
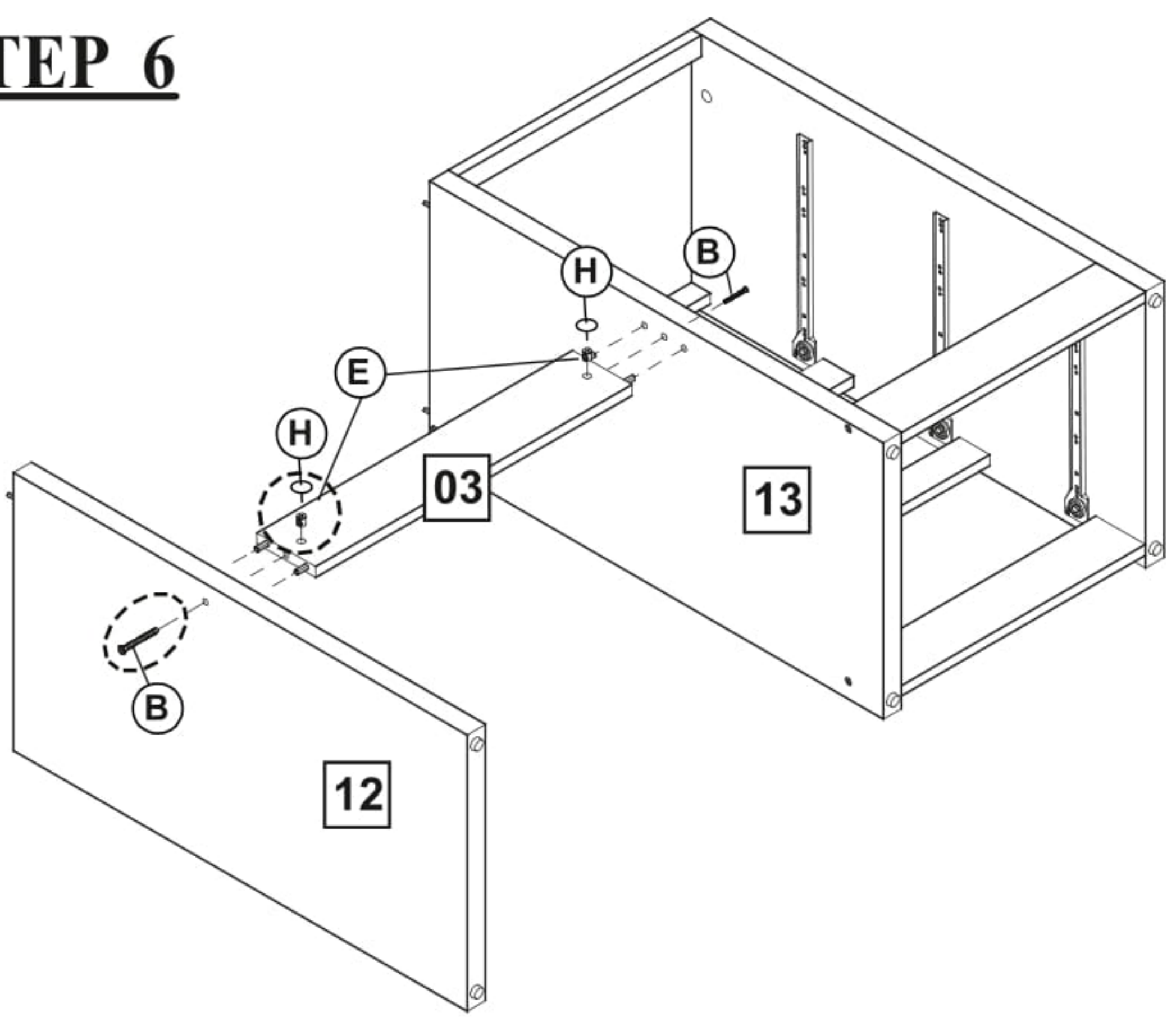





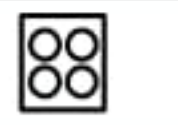
1st Step

2nd Step

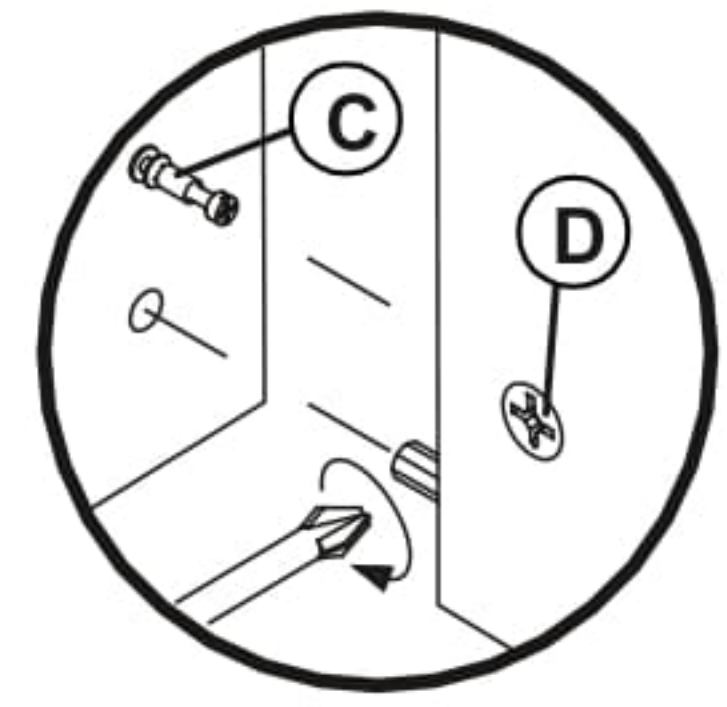
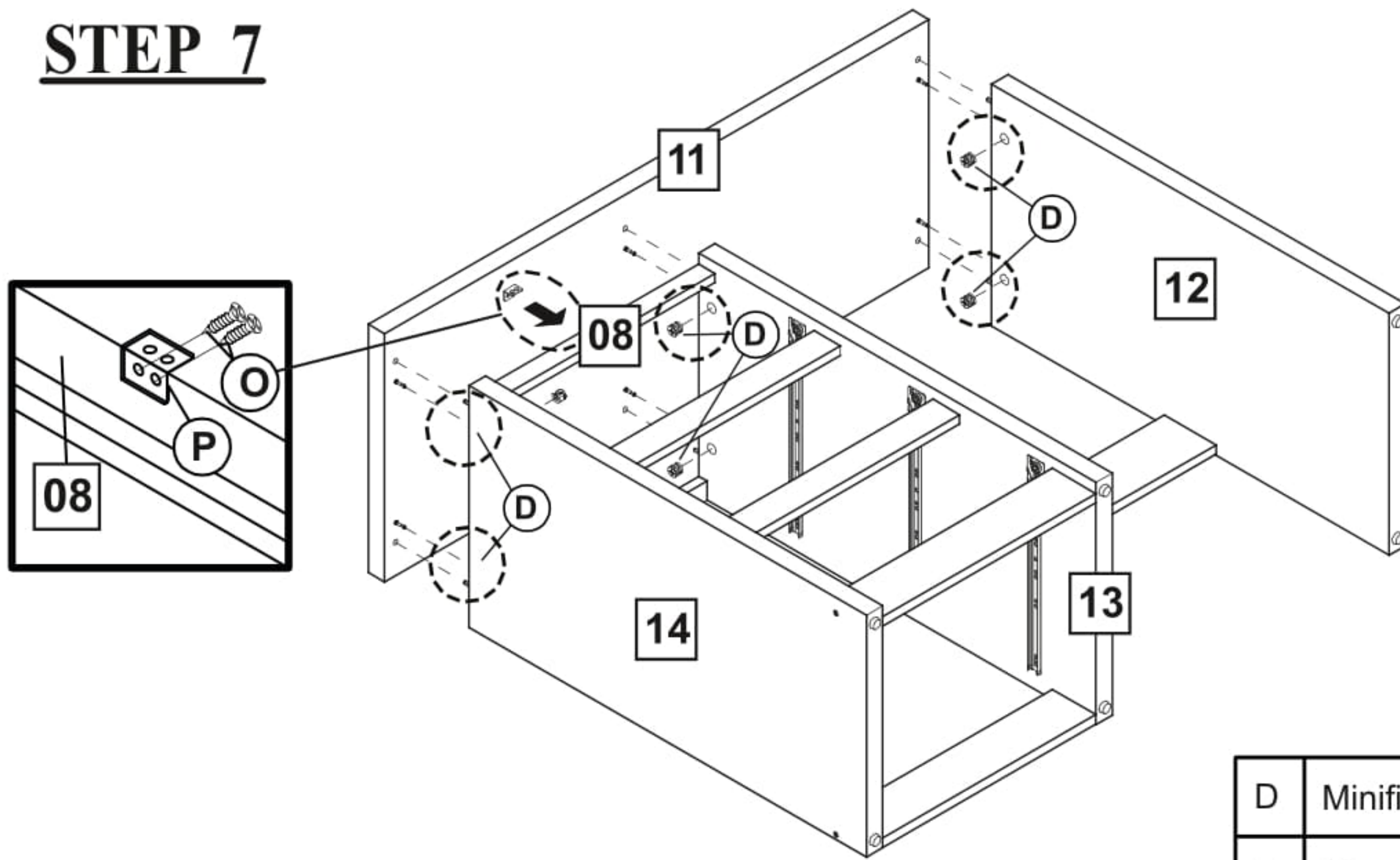
H	Screw Cover		x4
M	65mm Screw		x4

# STEP 6



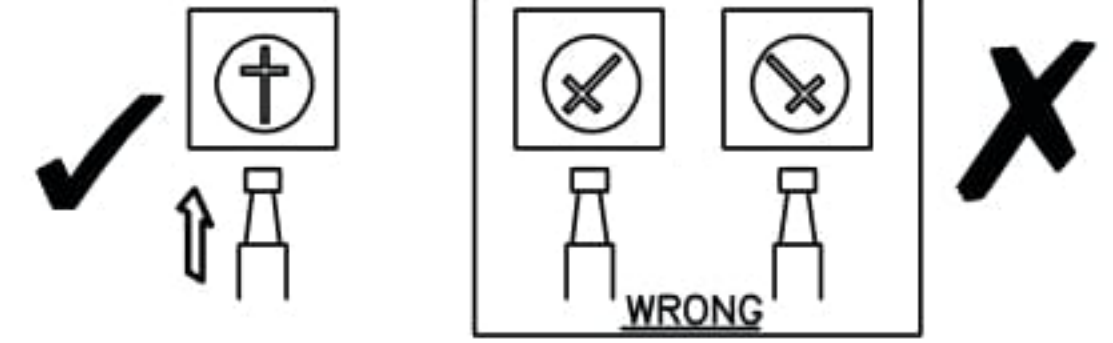
B	65mm Screw JCBC		x2
E	Connecting Pin		x2
F	Allen Key		x1
H	Screw Cover		x2

# STEP 7



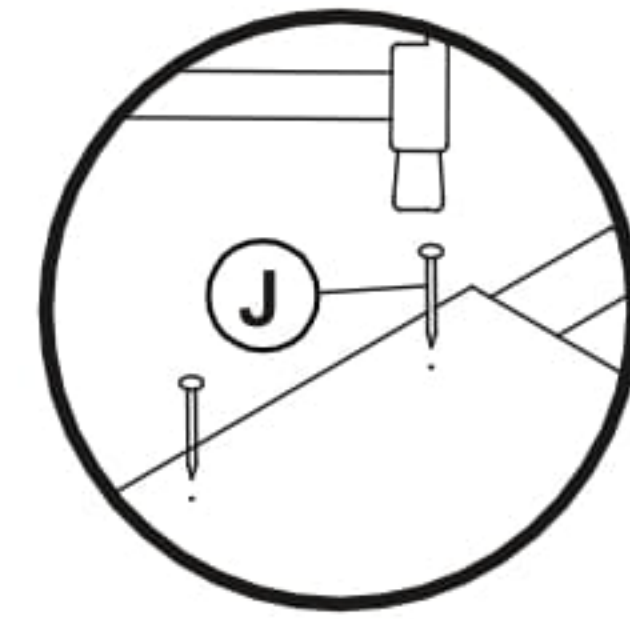
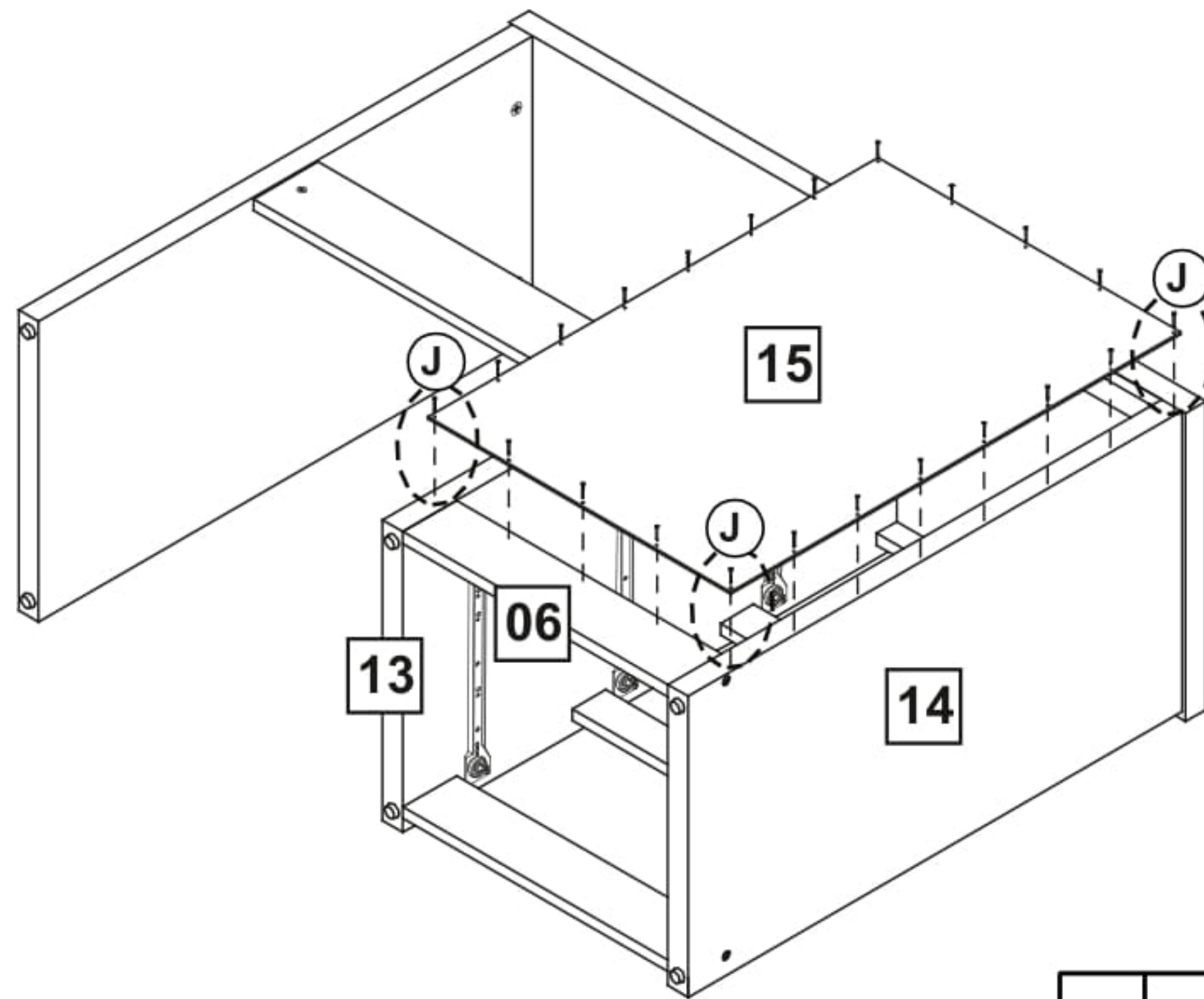
### When Fitting Cams

Ensure starting position correct before you insert connecting bolt turn clockwise until secure.



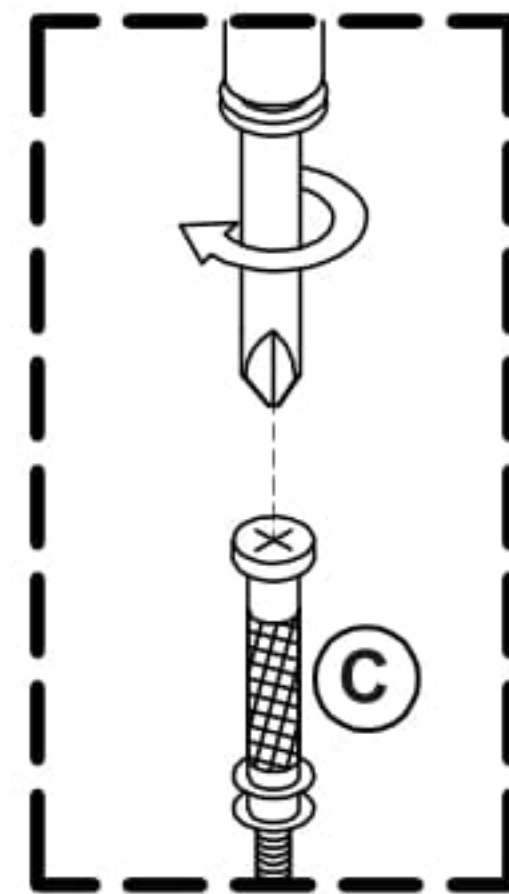
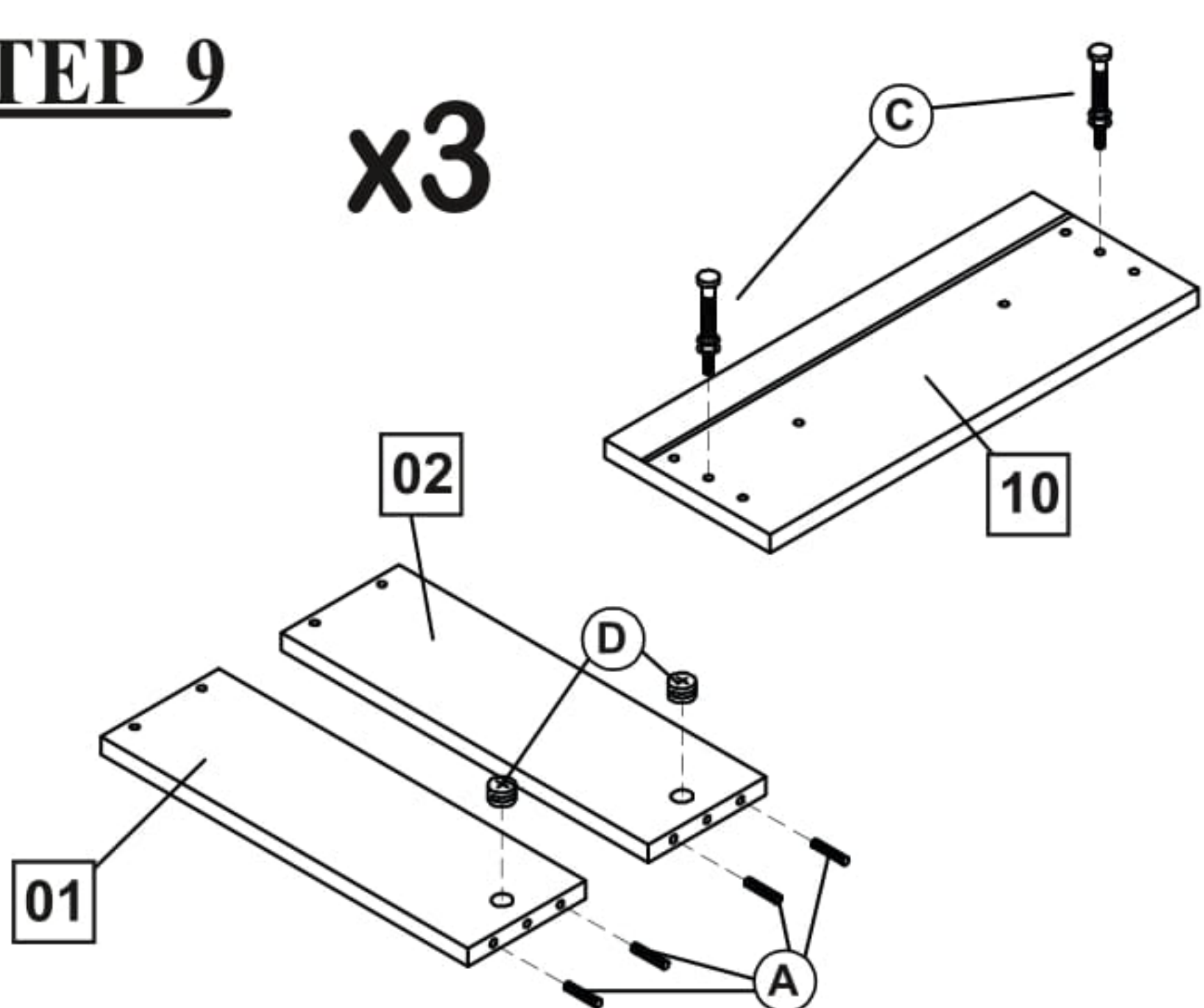
D	Minifix Cam Nut		x6
O	14mm Screw		x2

# STEP 8



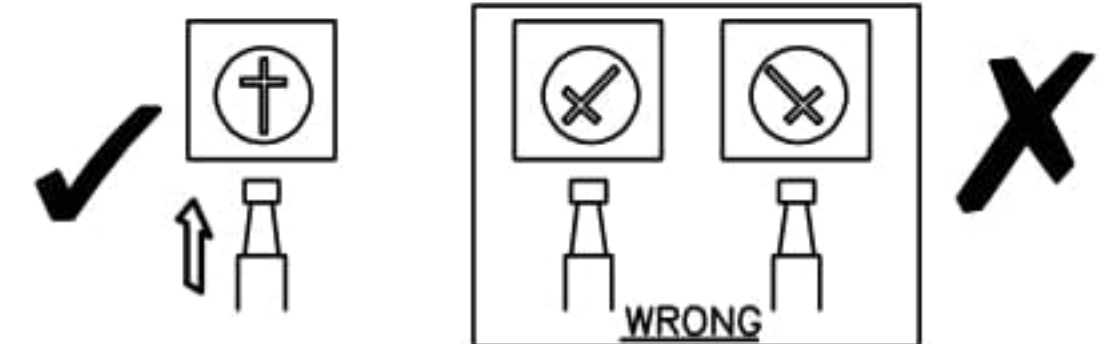
J	6/8" Nail		x30
---	-----------	--	-----

# STEP 9



### When Fitting Cams

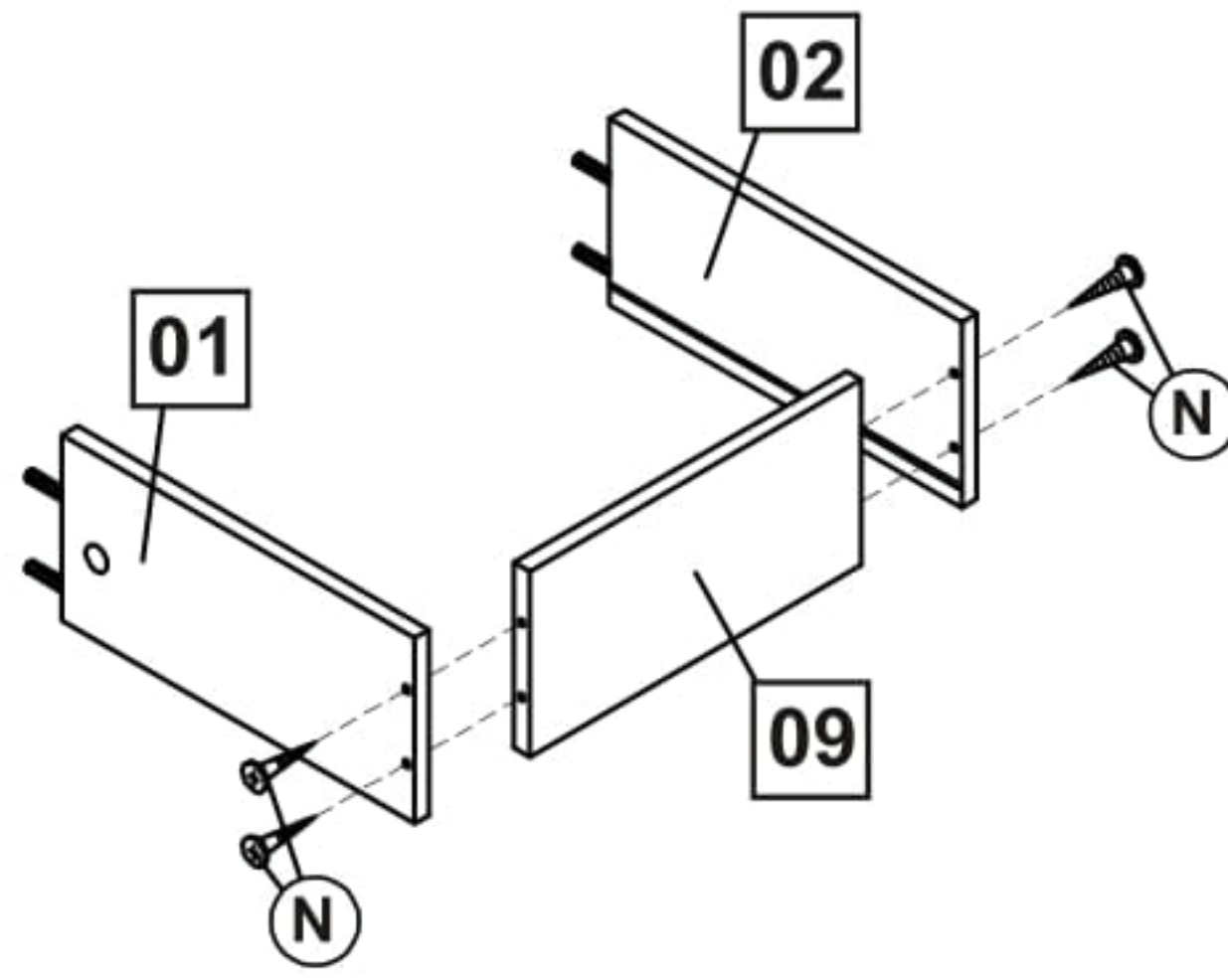
Ensure starting position correct before you insert connecting bolt turn clockwise until secure.



A	Wooden Dowel		x12
C	Minifix Cam Bolt		x6
D	Minifix Cam Nut		x6

**STEP 10**

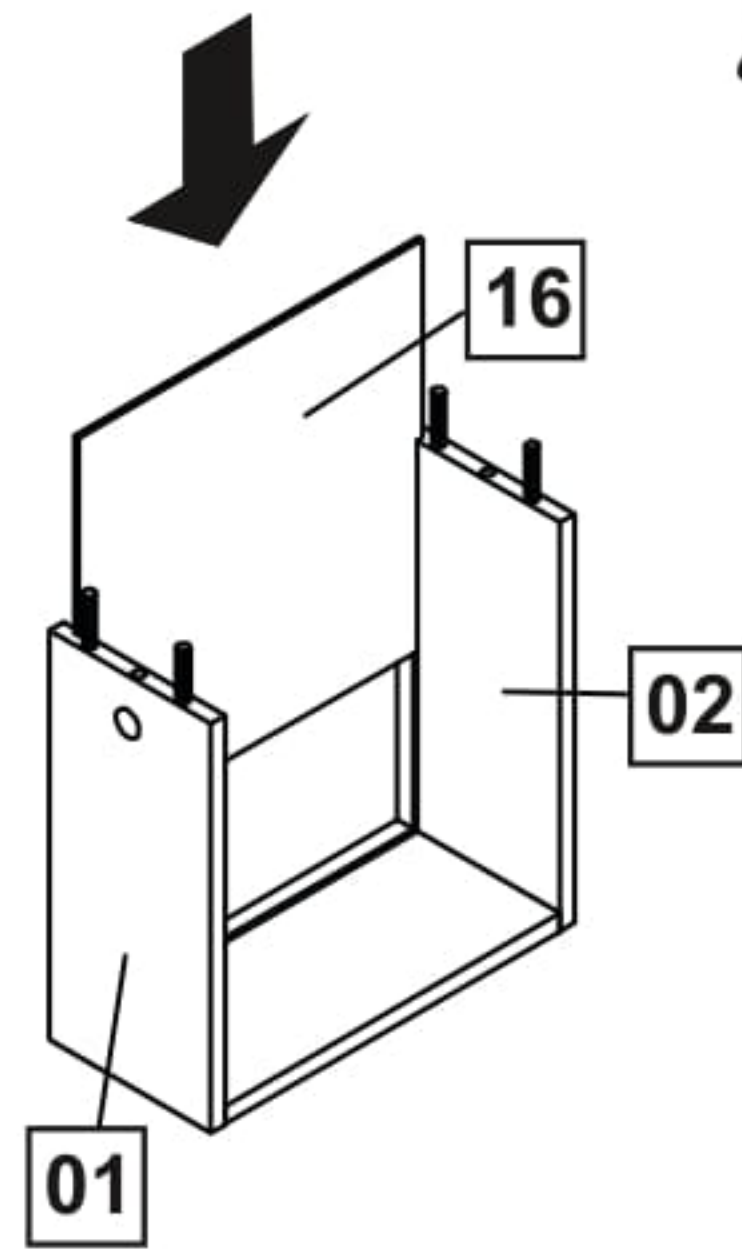
**x3**



N	38mm Screw		x12
---	------------	--	-----

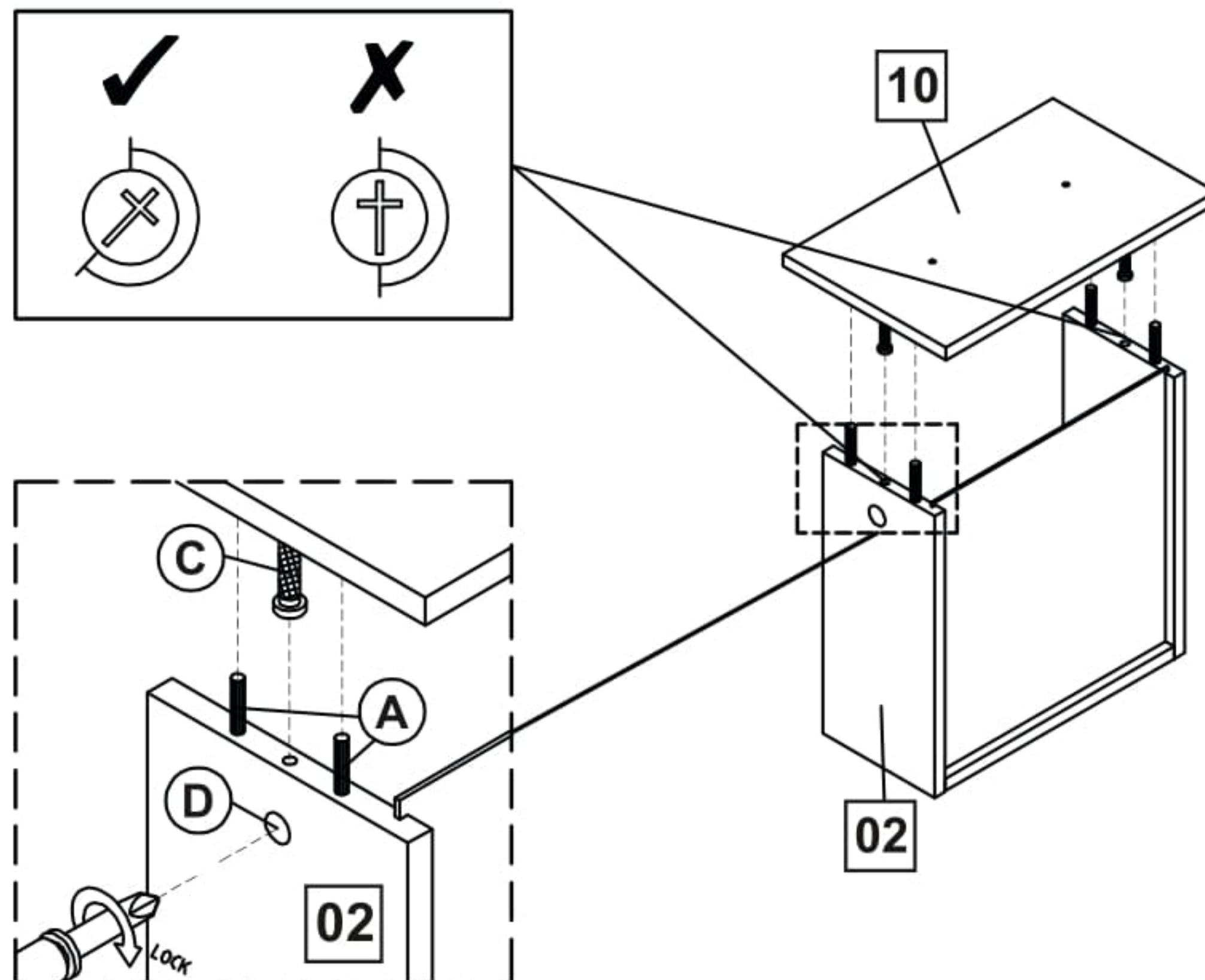
**STEP 11**

**x3**



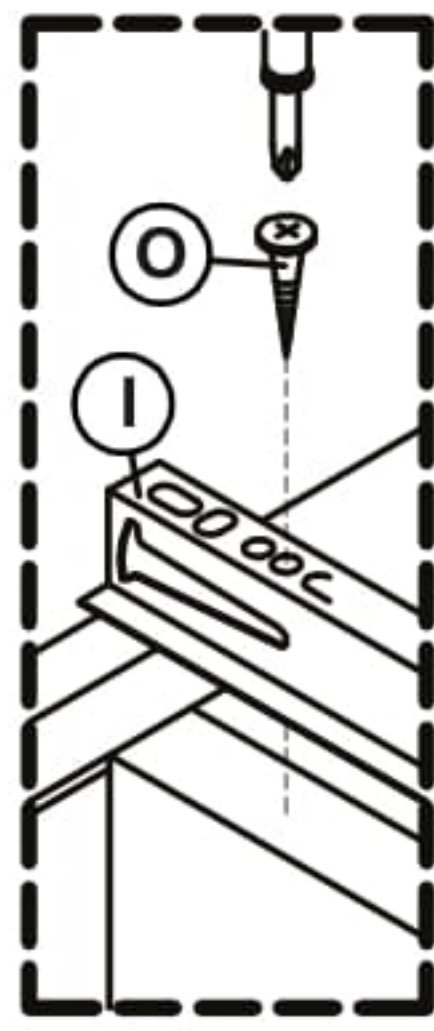
**STEP 12**

**x3**

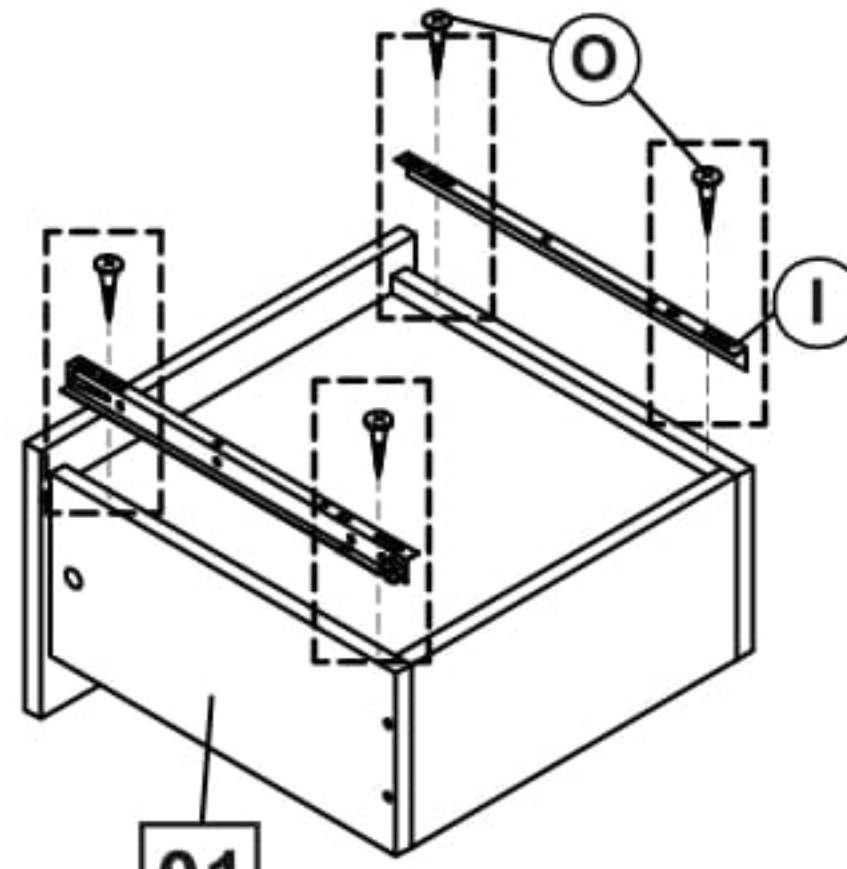


# STEP 13

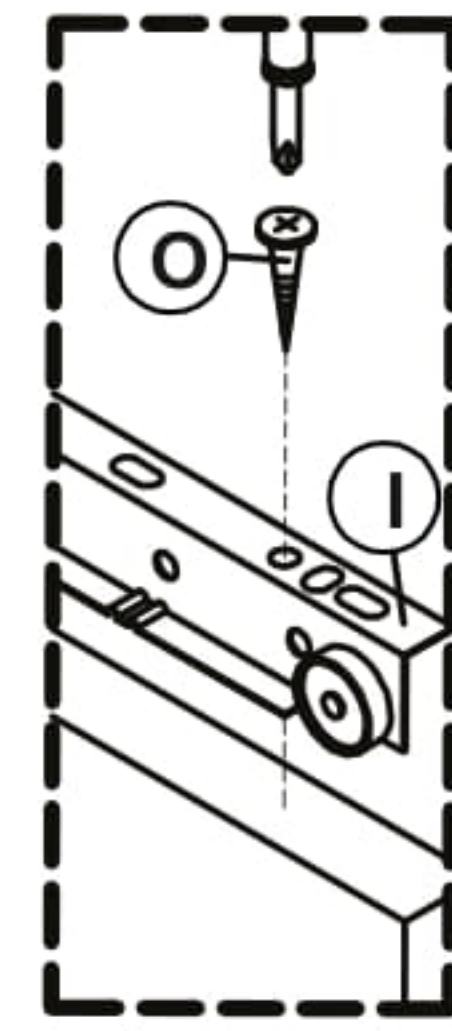
x3





Front



01

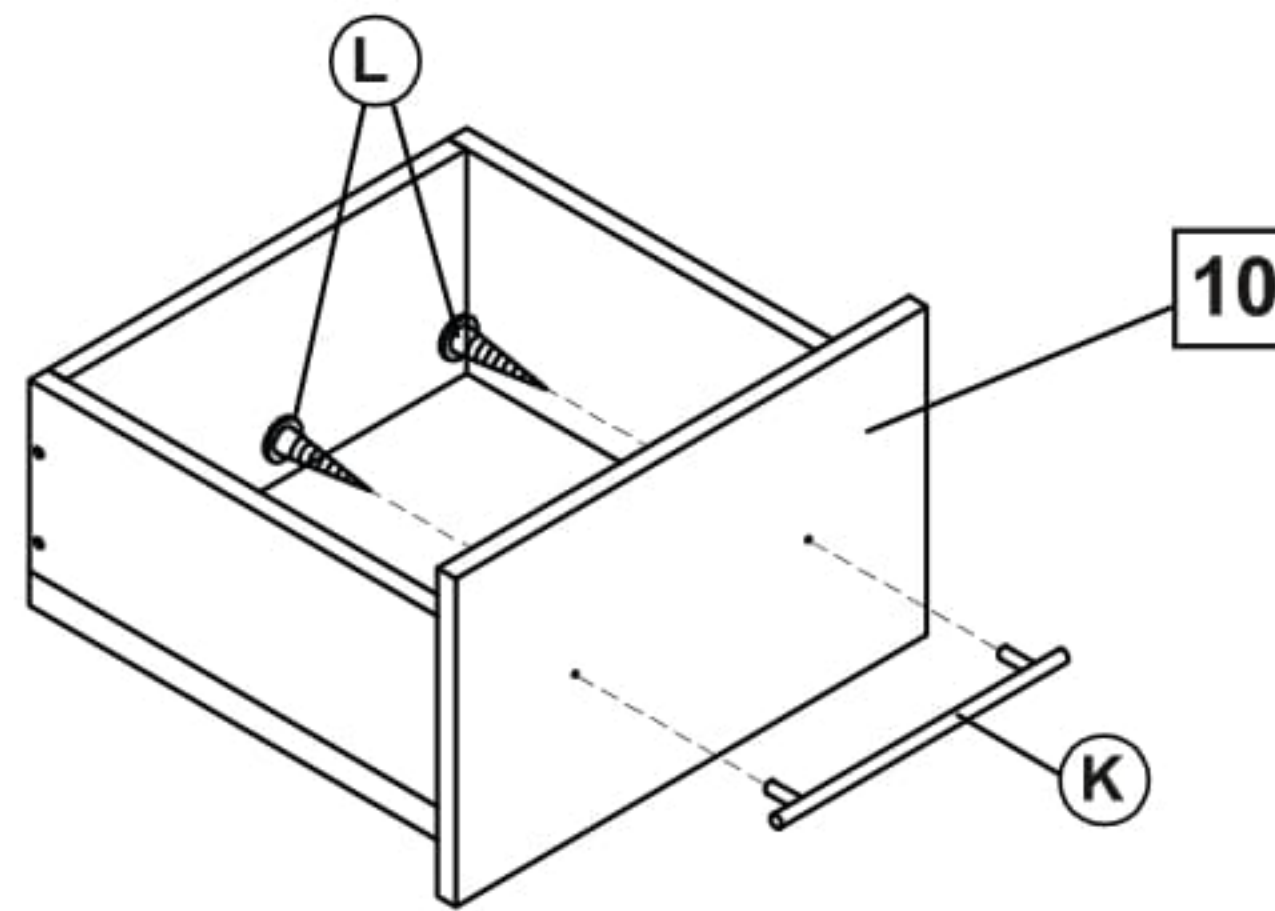




Back

I	14" Drawer Slide		x3Set
O	14mm Screw		x12

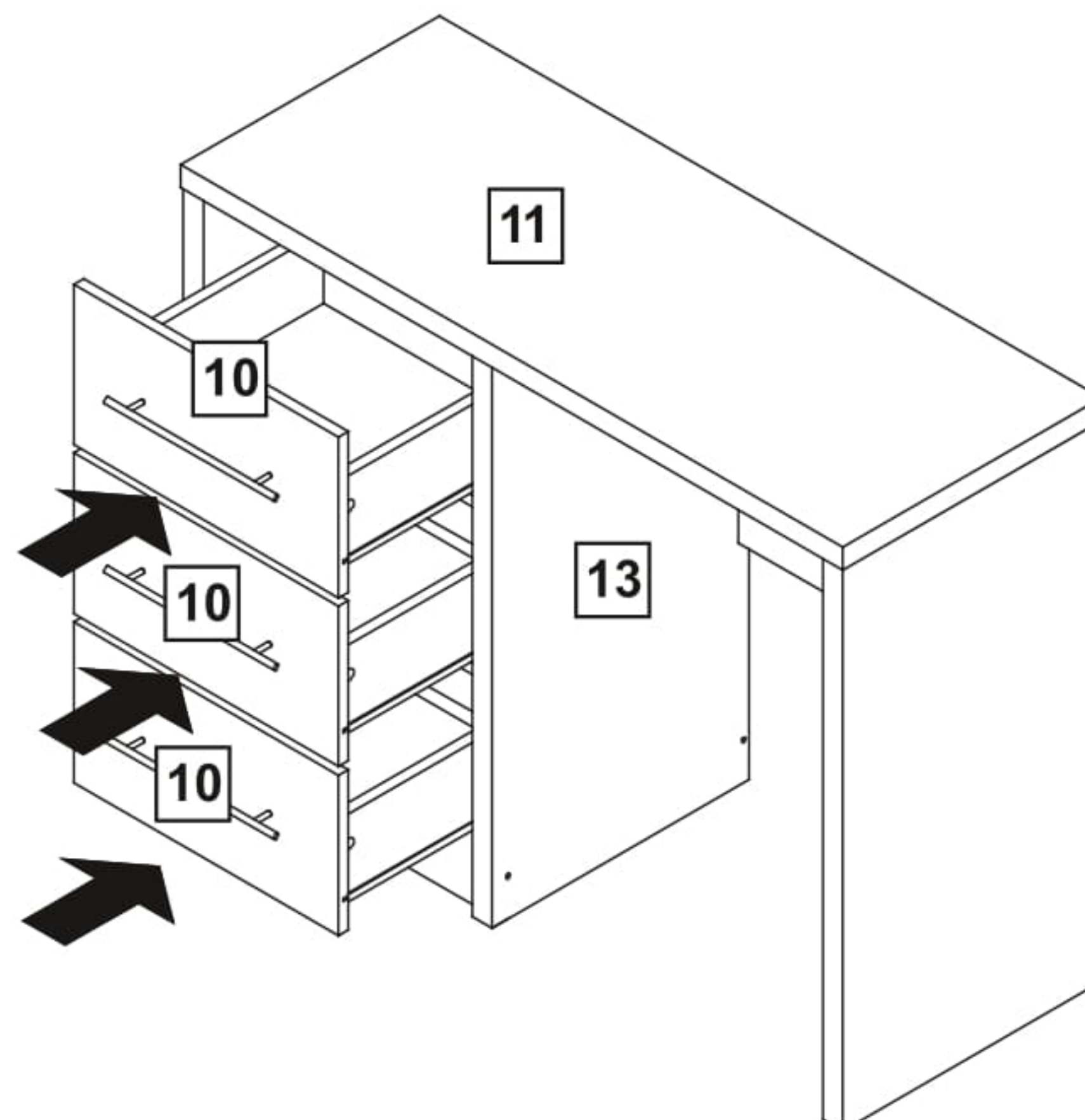
# STEP 14

x3



K	10" Handle		x3
L	20mm Screw Handle		x6

# STEP 15

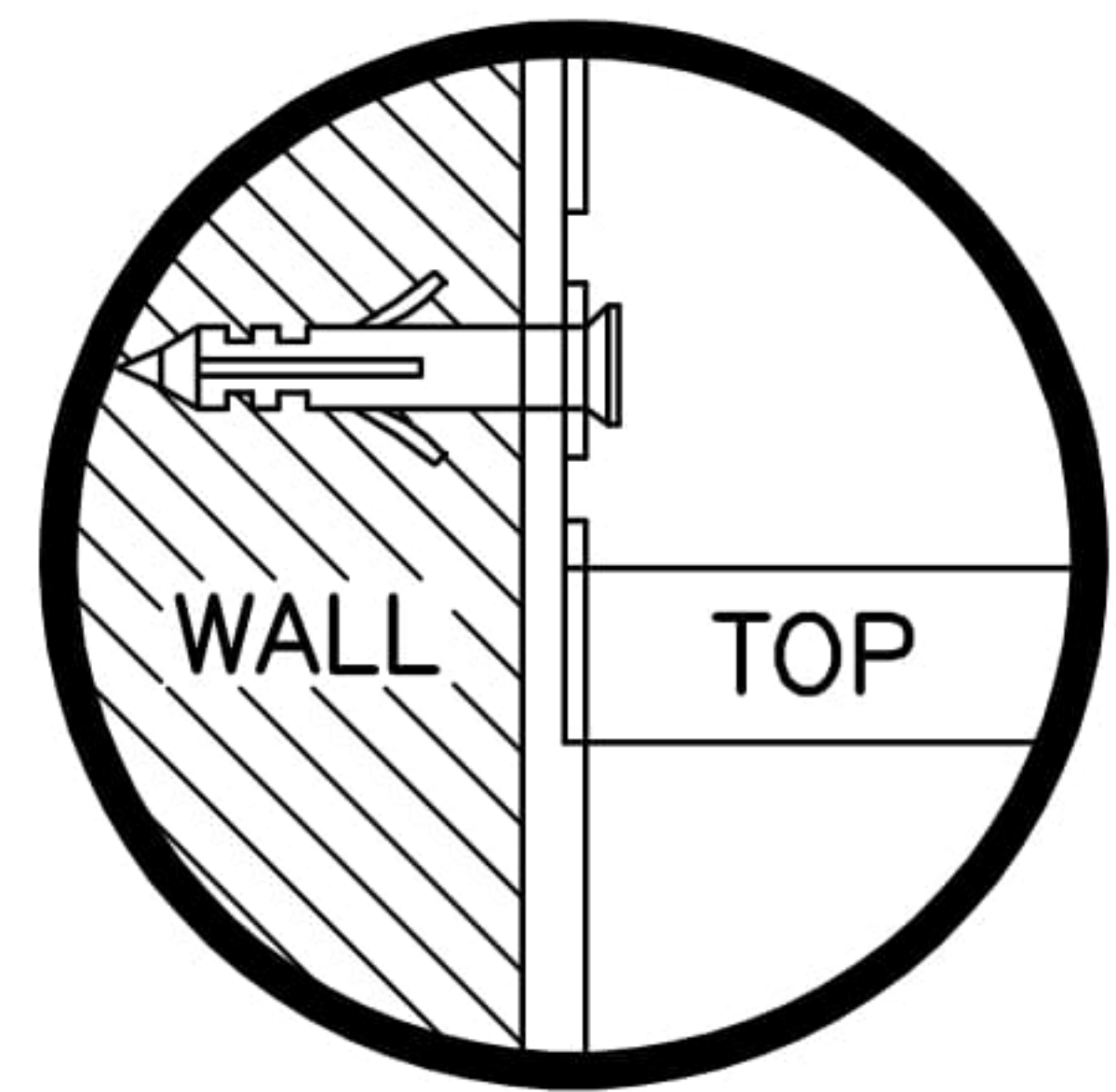
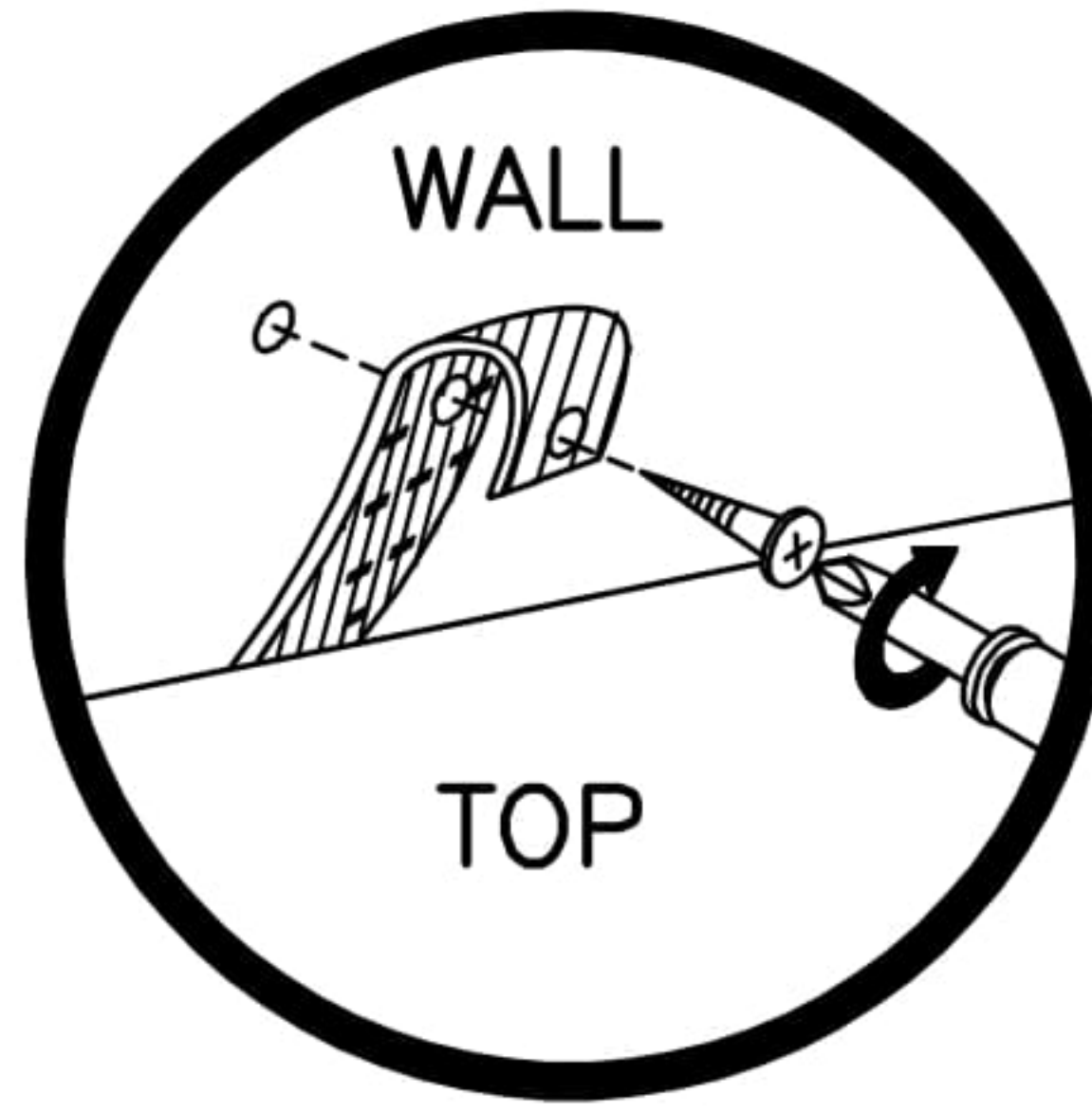
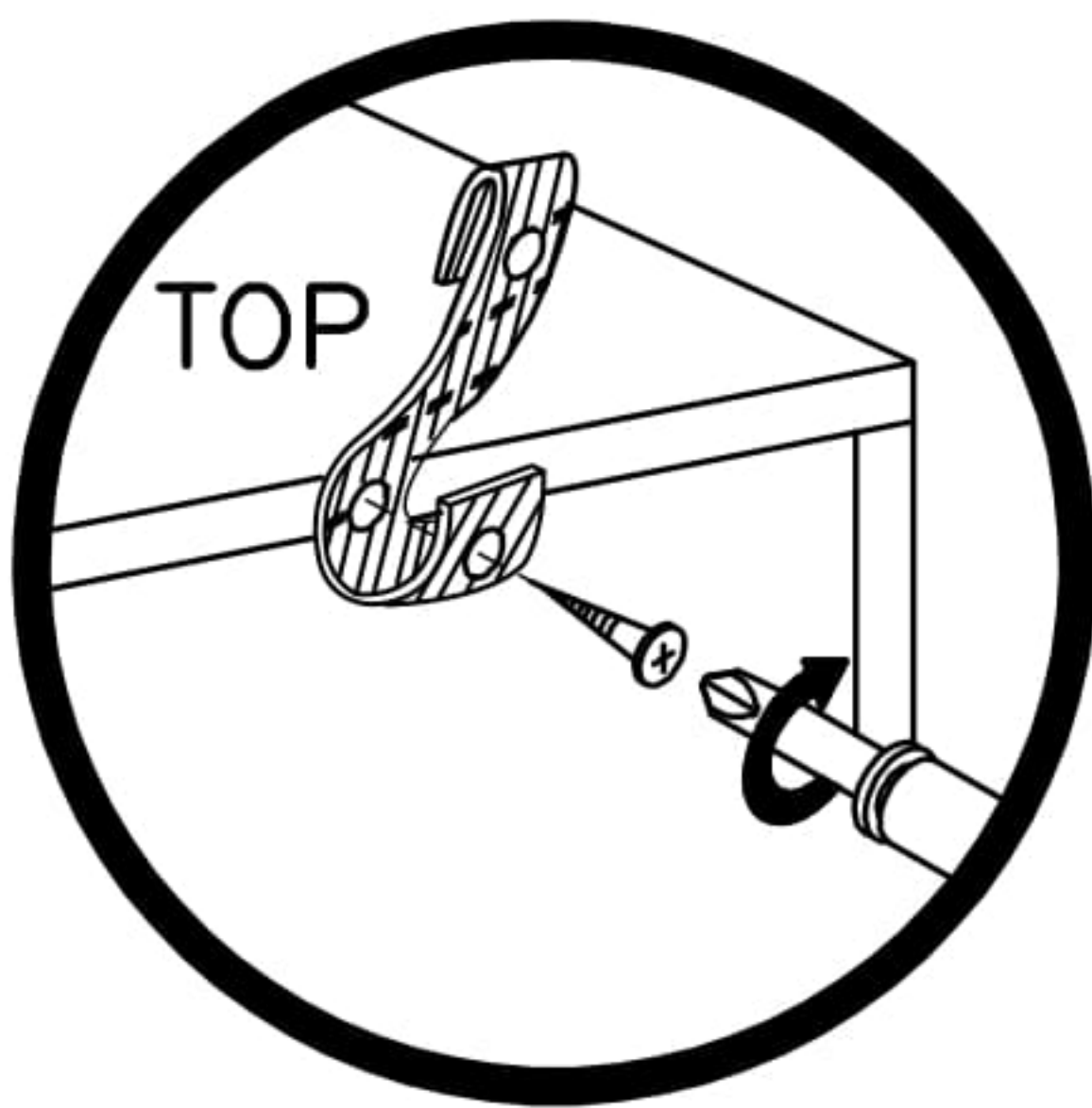
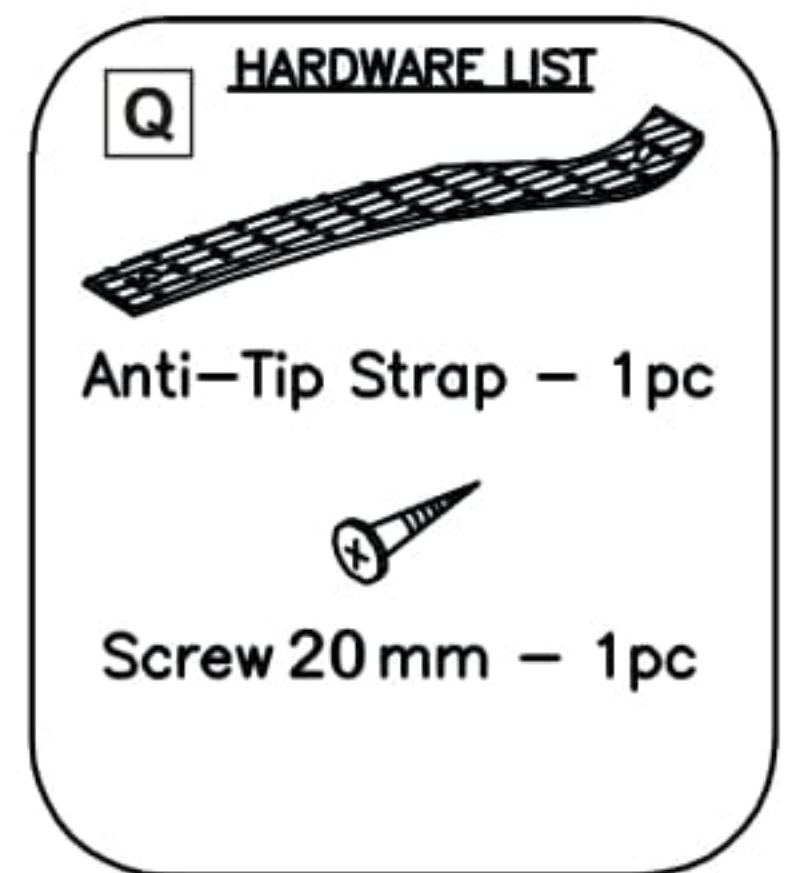


## STEP 16

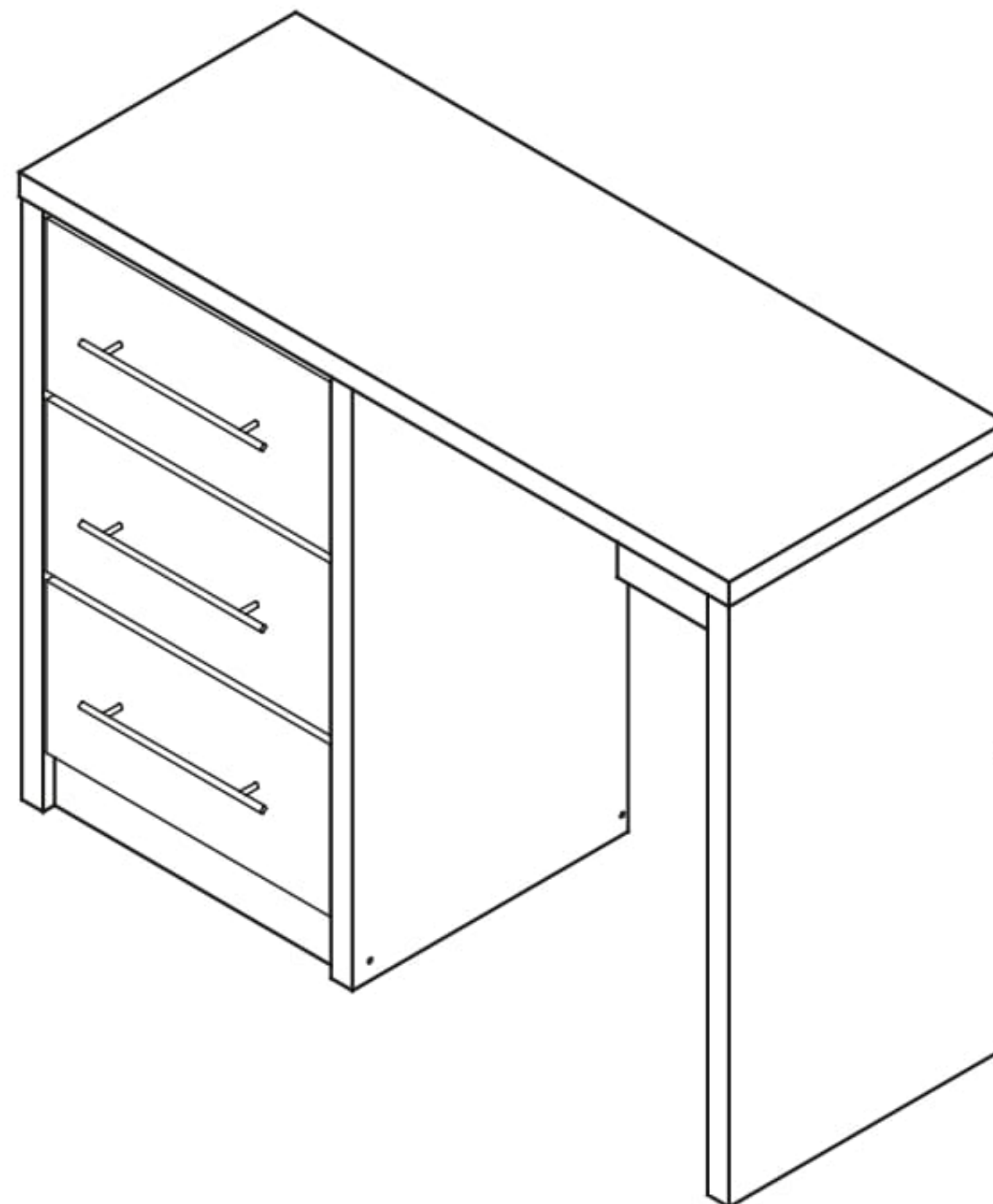
### WARNING

**Serious or fatal injuries can occur from furniture tipping over. To prevent the furniture from tipping over we recommend that it is permanently fixed to the wall.**

Wall fixings are not supplied with this product as different wall materials require different types of fixing devices. Please make sure you use fixings suitable for the walls in your home.

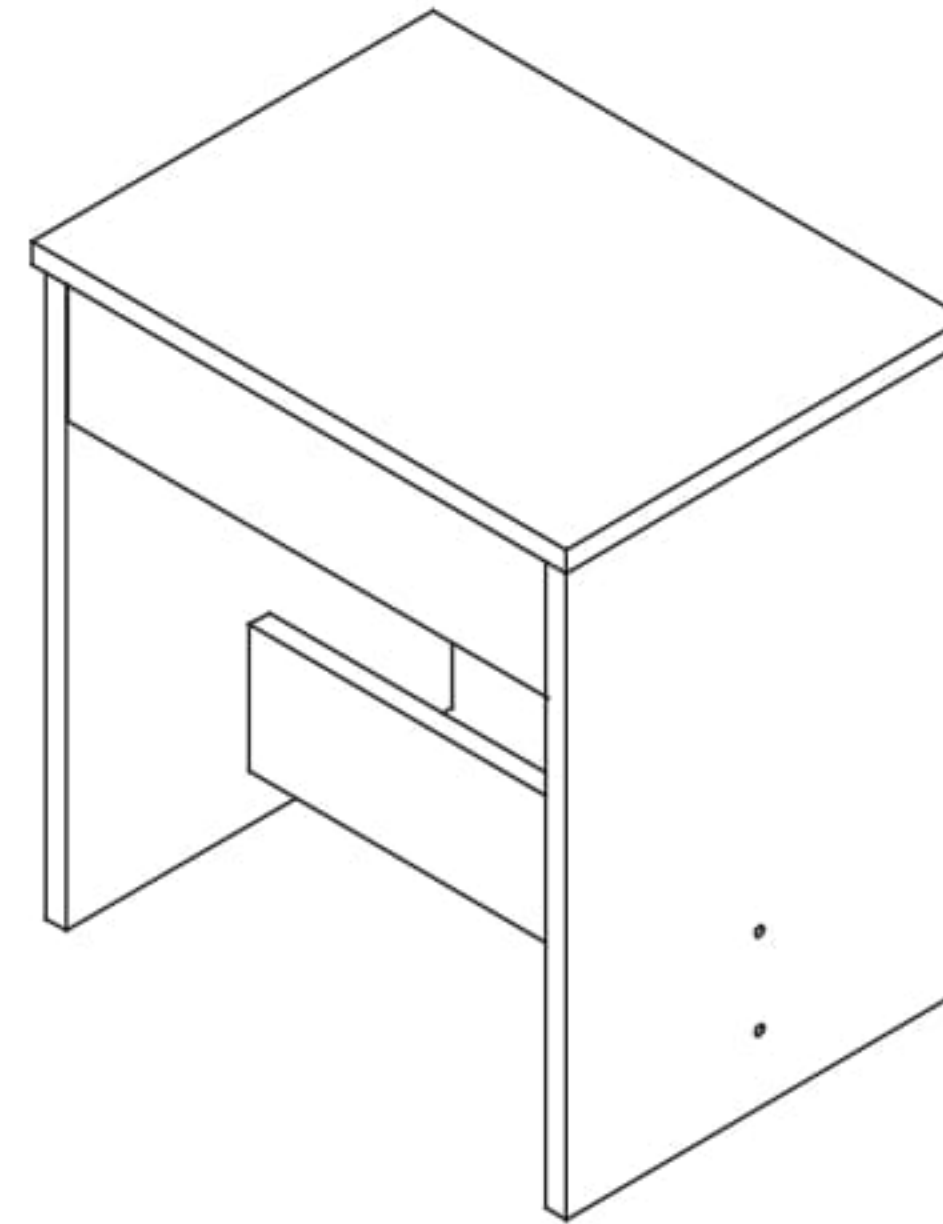
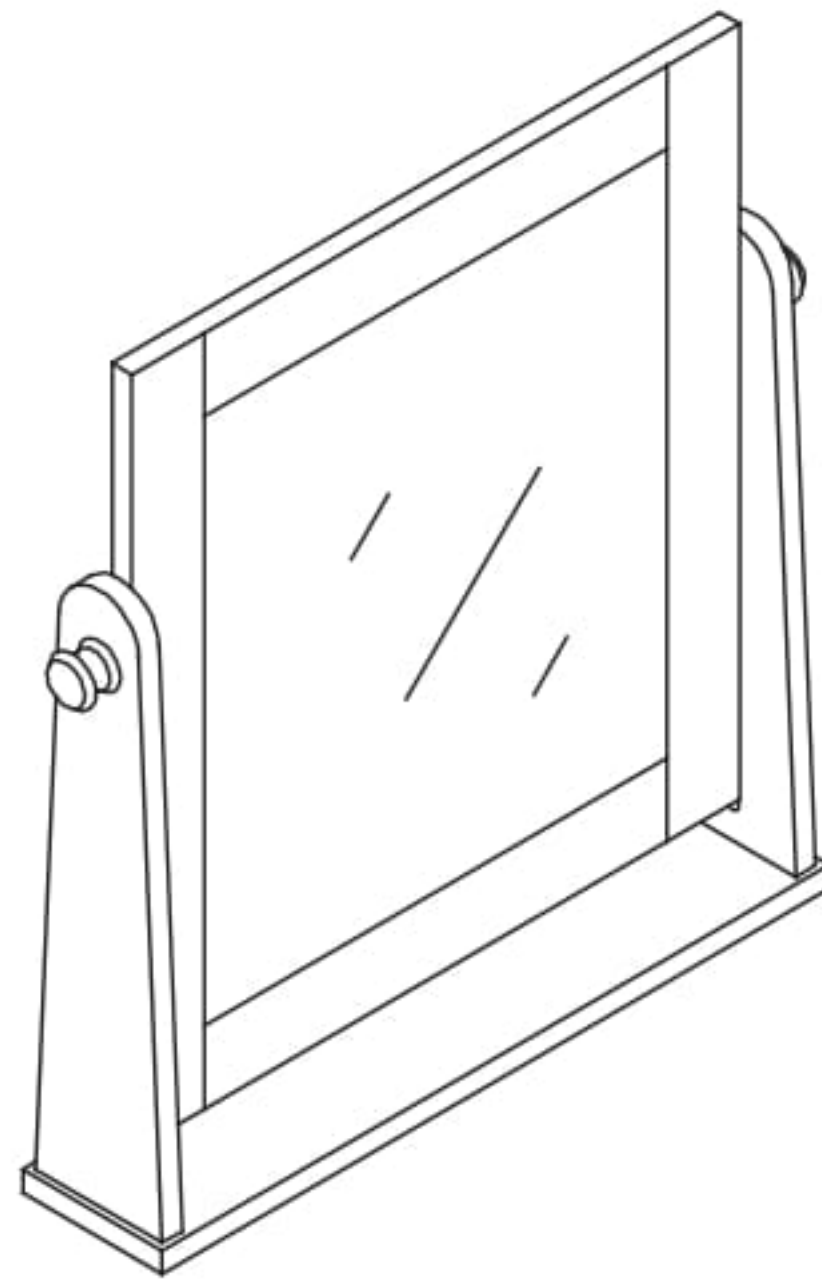


## STEP 17



# FINISH

# ASSEMBLY INSTRUCTIONS



## FOR DOMESTIC USE ONLY IMPORTANT

### PLEASE READ BEFORE YOU CONTINUE FURTHER

THE PRODUCT YOU HAVE PURCHASED WILL GIVE YOU MANY YEARS OF SERVICE IF YOU FOLLOW THE GUIDELINES FOR ITS SAFE ASSEMBLY AND PERIODIC MAINTENANCE AND CLEANING.

ASSEMBLE ON A SOFT CLEAN SURFACE.

DO NOT USE ANY TOOLS OTHER THAN THOSE SHOWN.

ANY SPANNERS OR ALLEN KEYS REQUIRED ARE INCLUDED WITH THE FITTINGS KIT.

DO NOT FOR ANY REASON USE A POWER TOOL TO ASSEMBLE THIS PRODUCT. ITS USE WILL INVALIDATE ANY CLAIM YOU MAY HAVE AND COULD MAKE THIS PRODUCT UNSAFE.

DEPENDING ON THE AMOUNT OF USE THIS PRODUCT RECEIVES, IT MAY BE NECESSARY TO TIGHTEN UP THE FIXINGS FROM TIME TO TIME. THIS IS COMPLETELY NORMAL FOR ANY FLAT PACK FURNITURE. DO NOT OVERTIGHTEN FIXINGS.











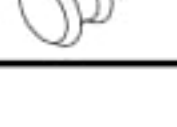
FOR CLEANING, YOU MAY USE A DAMP CLOTH (NOT WET). DO NOT USE POLISH, DETERGENT OR CHEMICAL CLEANERS.

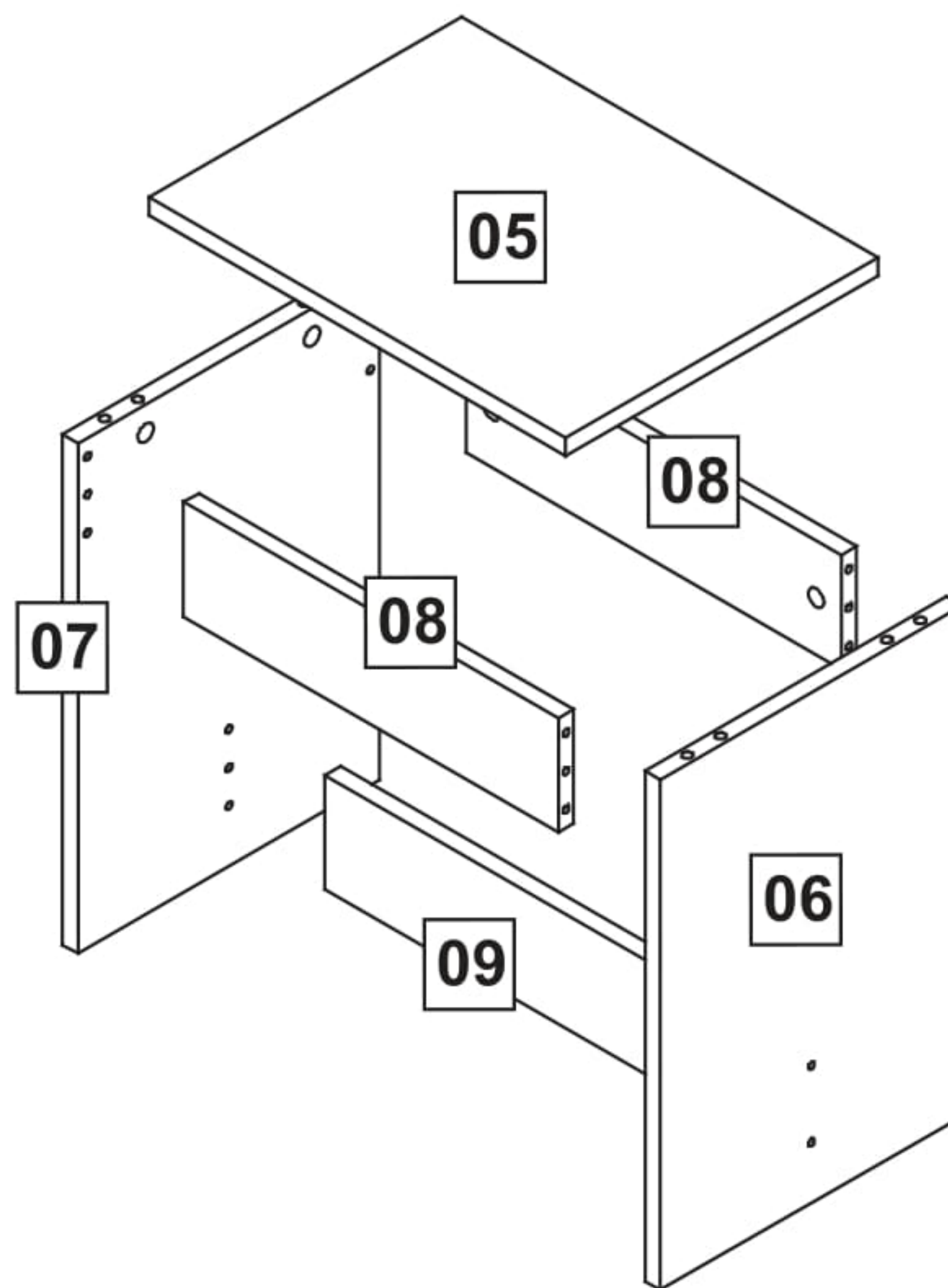
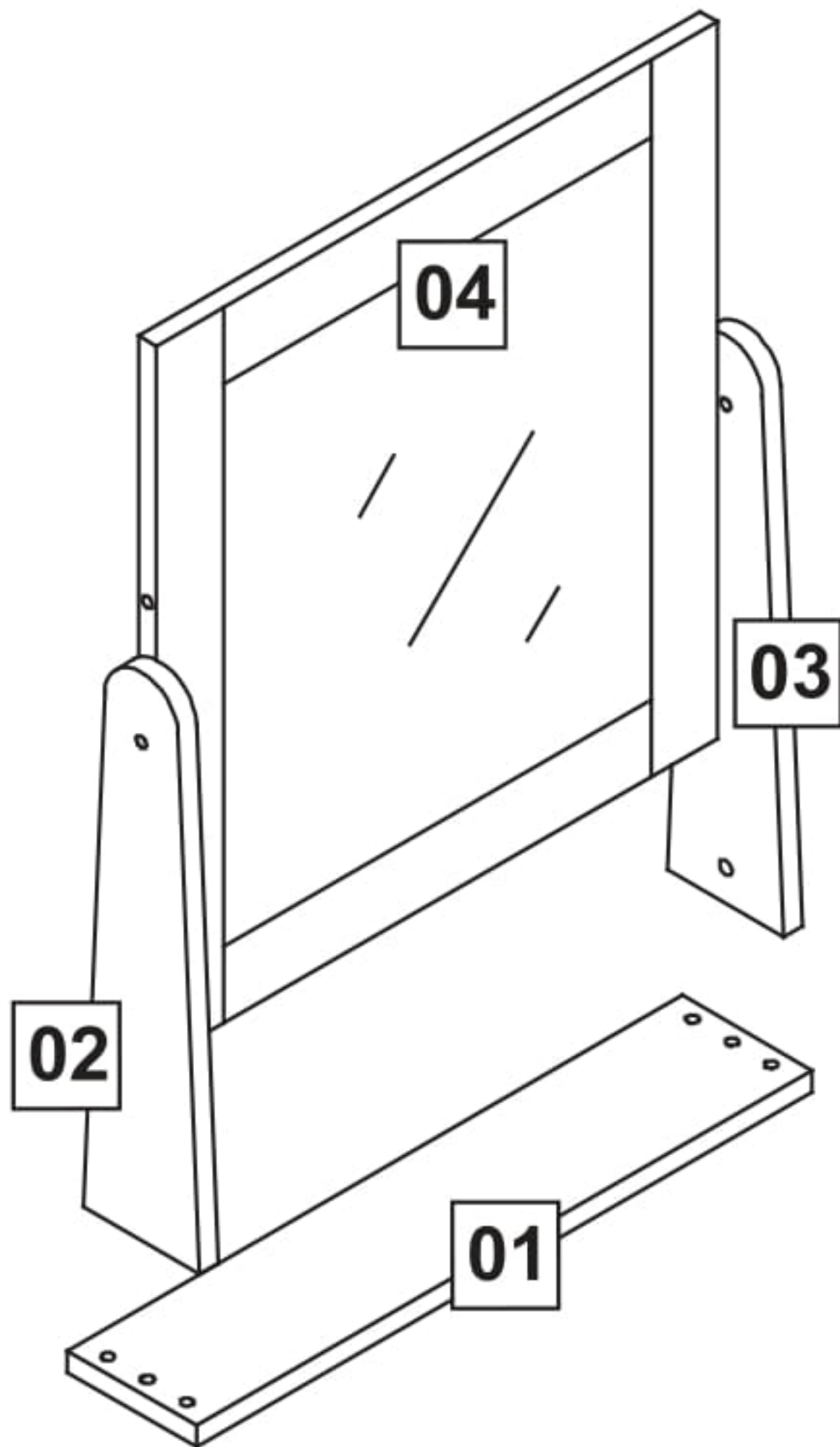
THE SURFACE OF THIS ITEM IS NOT HEAT RESISTANT. ALWAYS USE A PLACE MAT UNDER HOT OR COLD ITEMS TO PREVENT MARKING.

## PART LIST

## HARDWARE LIST

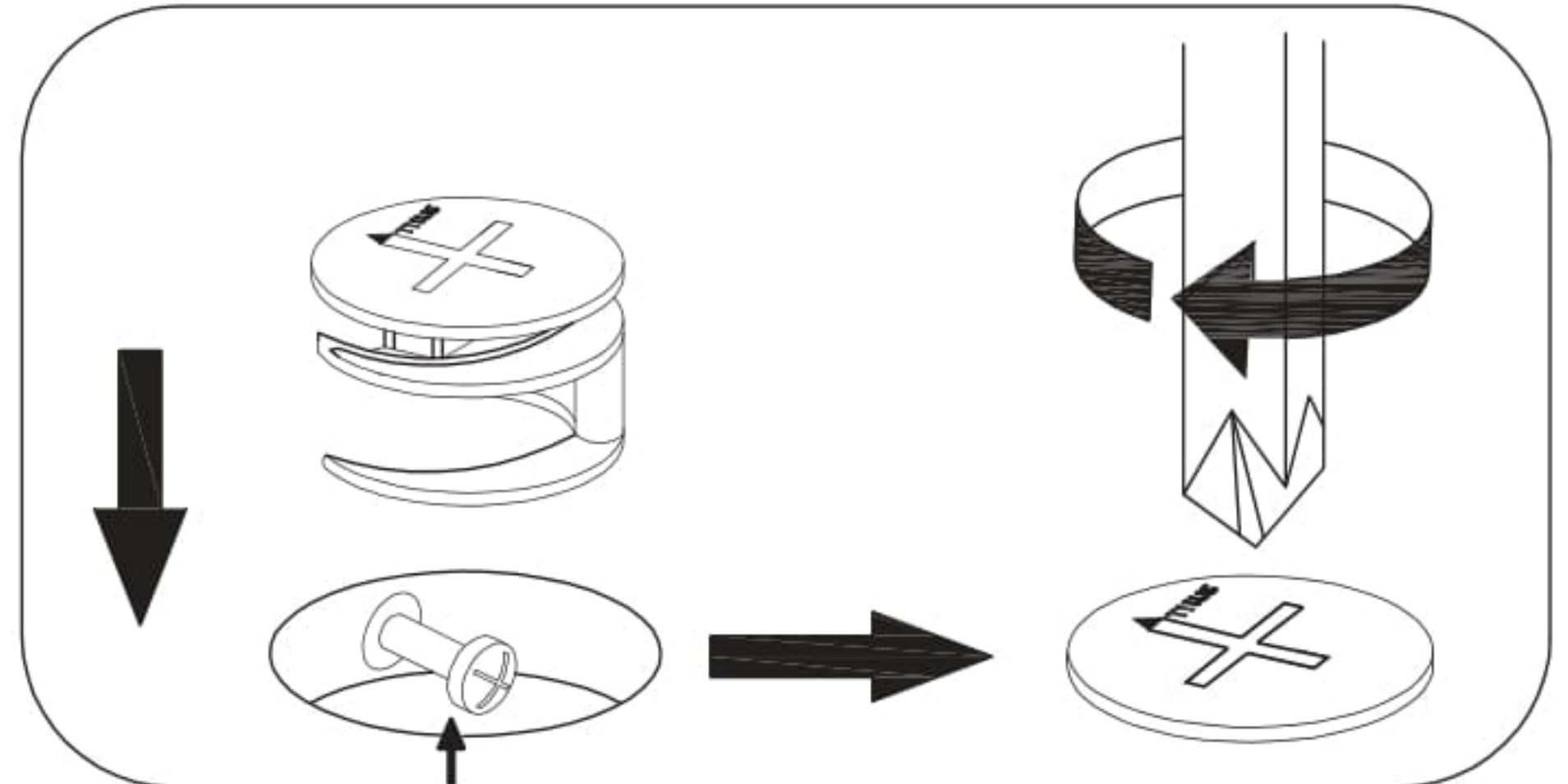
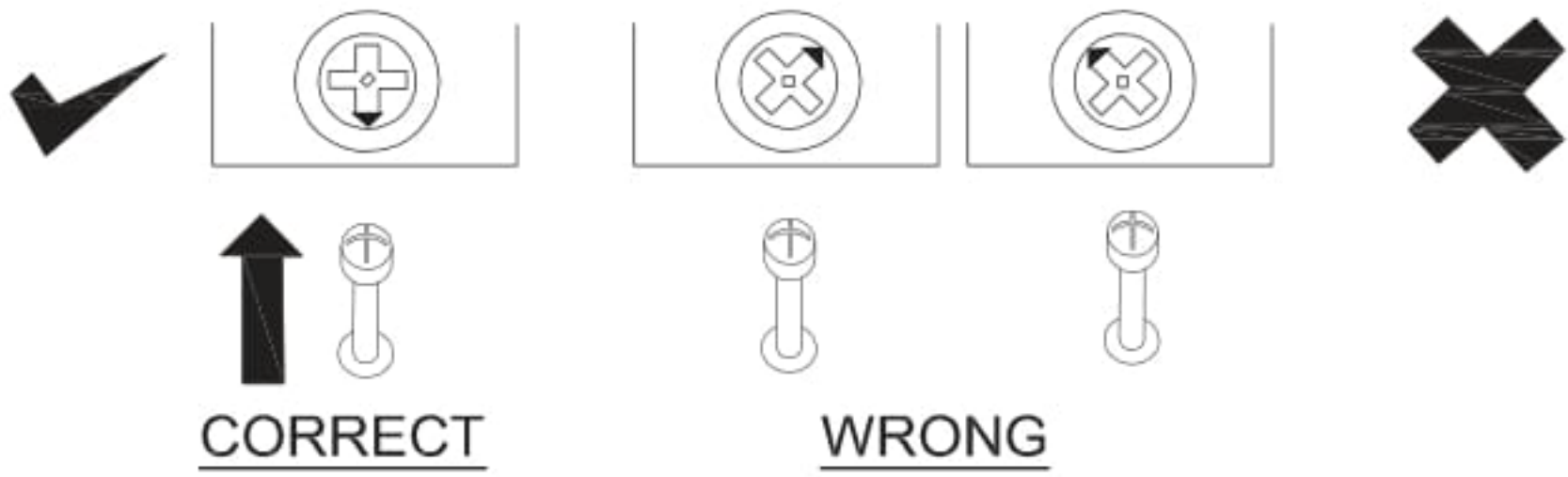
CARTON 2 OF 2		
No.	Part Name	QTY
01	Bottom Panel	x1
02	Left Side Panel	x1
03	Right Side Panel	x1
04	Mirror Panel	x1
05	Top Panel	x1
06	Right Side Panel Stool	x1
07	Left Side Panel Stool	x1
08	Support Panel	x2
09	Centre Support Panel	x1

CARTON 2 OF 2			
No.	Part Name		QTY
A	Wooden Dowel ( 8x25mm )		x18
B	50mm Screw JCBC ( Rambo 5x50mm )		x6
C	Minifix Cam Bolt ( 8032t )		x8
D	Minifix Cam Nut ( 1512 )		x8
E	Connecting Pin ( M6x13mm Baller )		x8
F	Allen Key ( M4 )		x1
G	Plastic Foot		x4
H	Screw Cover ( Sticker 12mm )		x8
I	Iron Shelf Support		x4
J	Spring Washer		x2
K	Screw JCBC+Handle ( Rambo 5x65mm )		x2



# TIPS FOR FITTING CAM-LOCKS

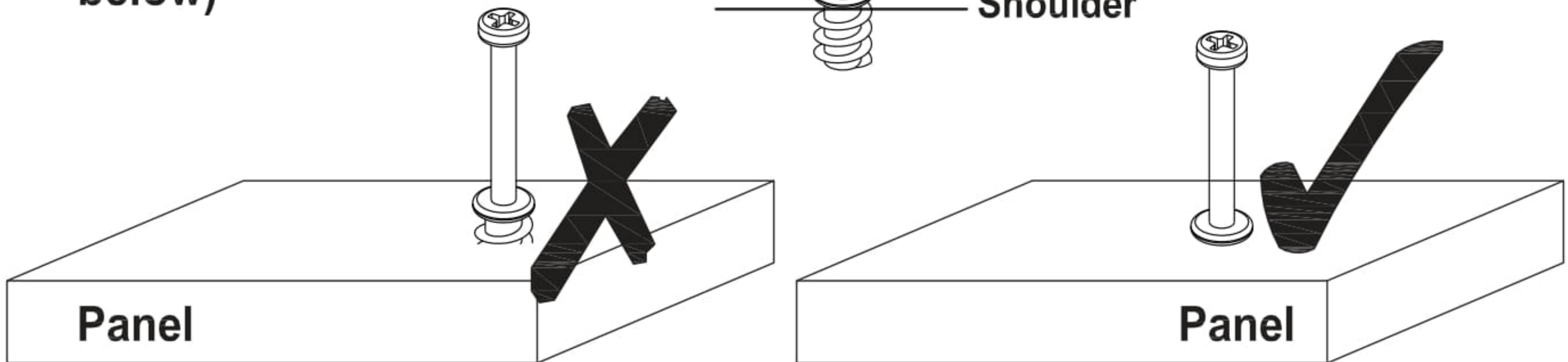
WHEN FITTING THE CAM-LOCK  
ENSURE STARTING POSITION IS CORRECT  
BEFORE YOU INSERT CONNECTING CAM BOLT  
TURN CLOCKWISE UNTIL SECURE



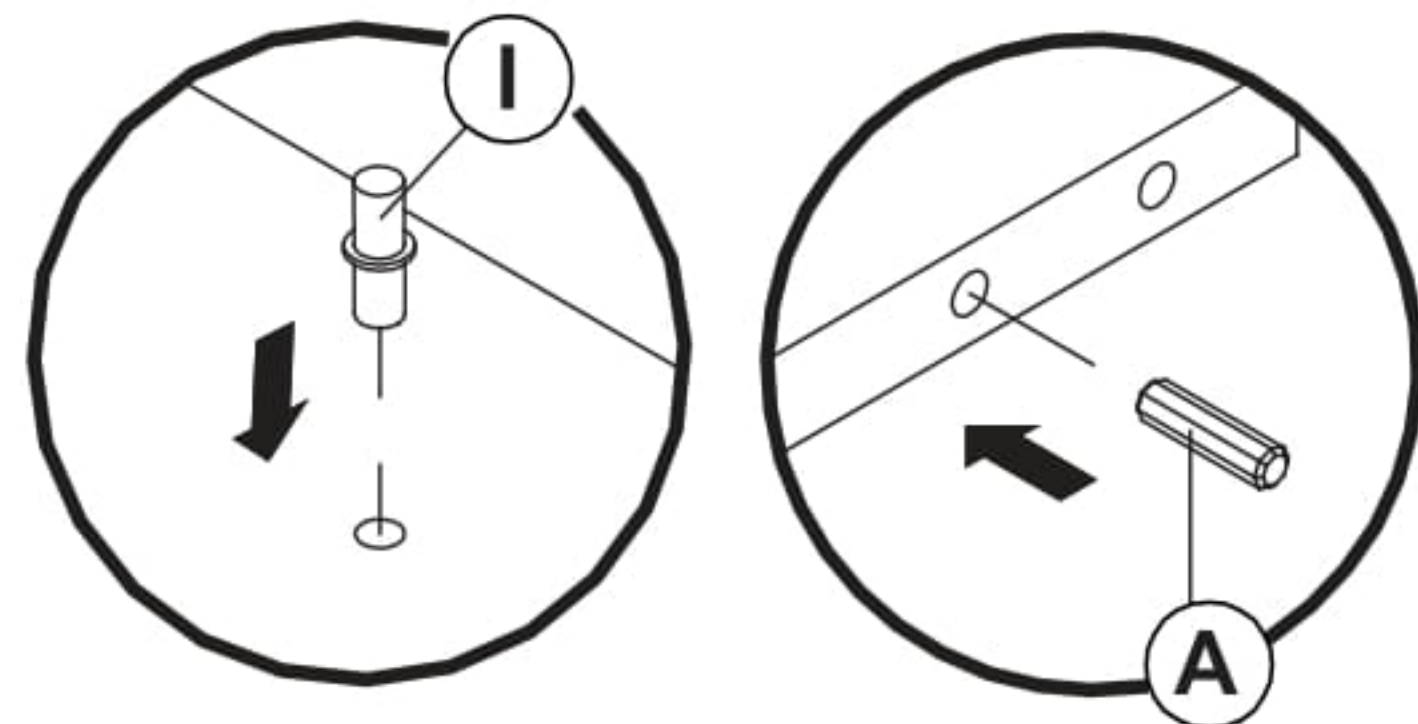
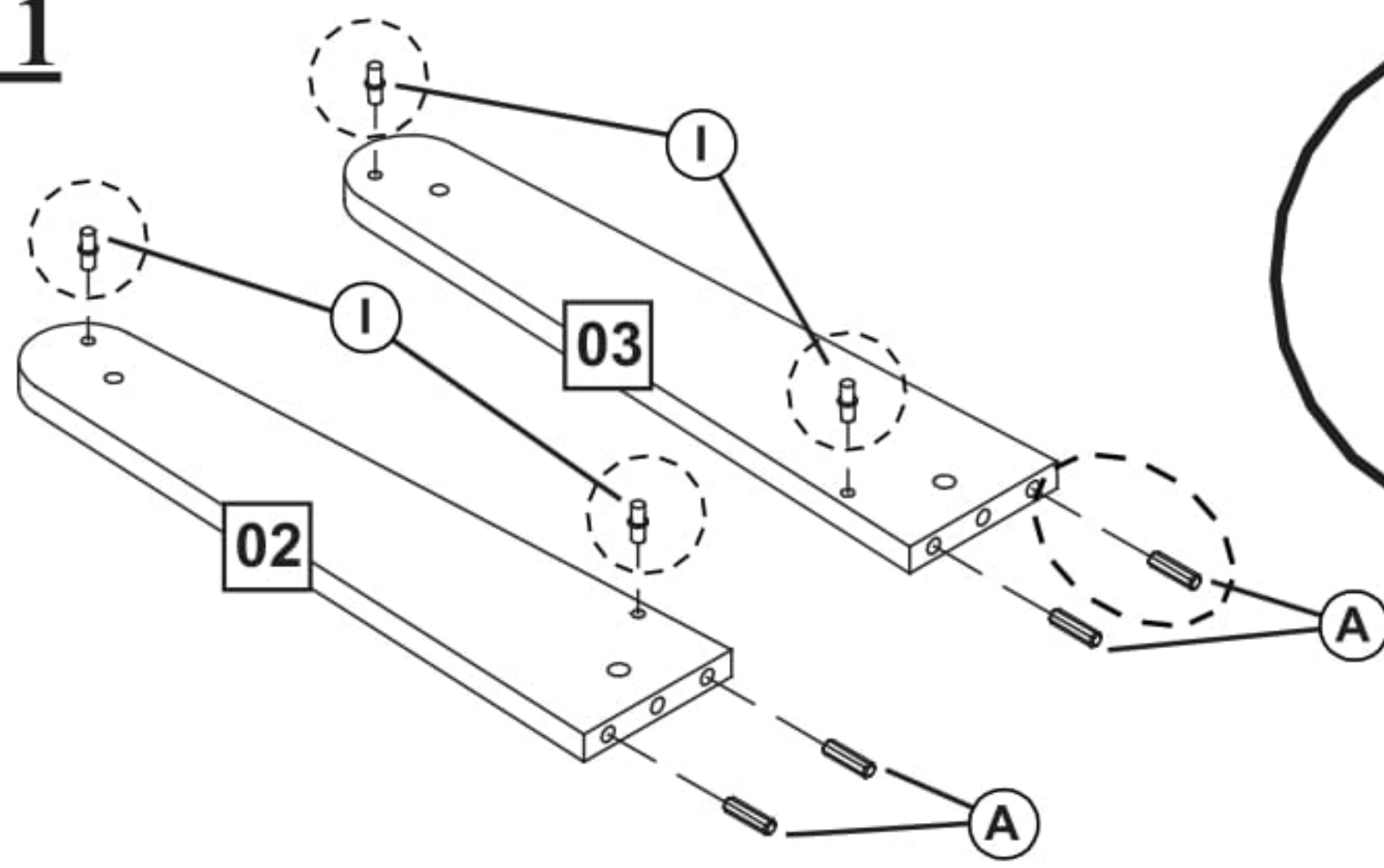
Cam bolt head needs to be in centre

## CAMBOLT

Tighten until shoulder is flush with panel. Do not overtighten or undertighten (see example below)

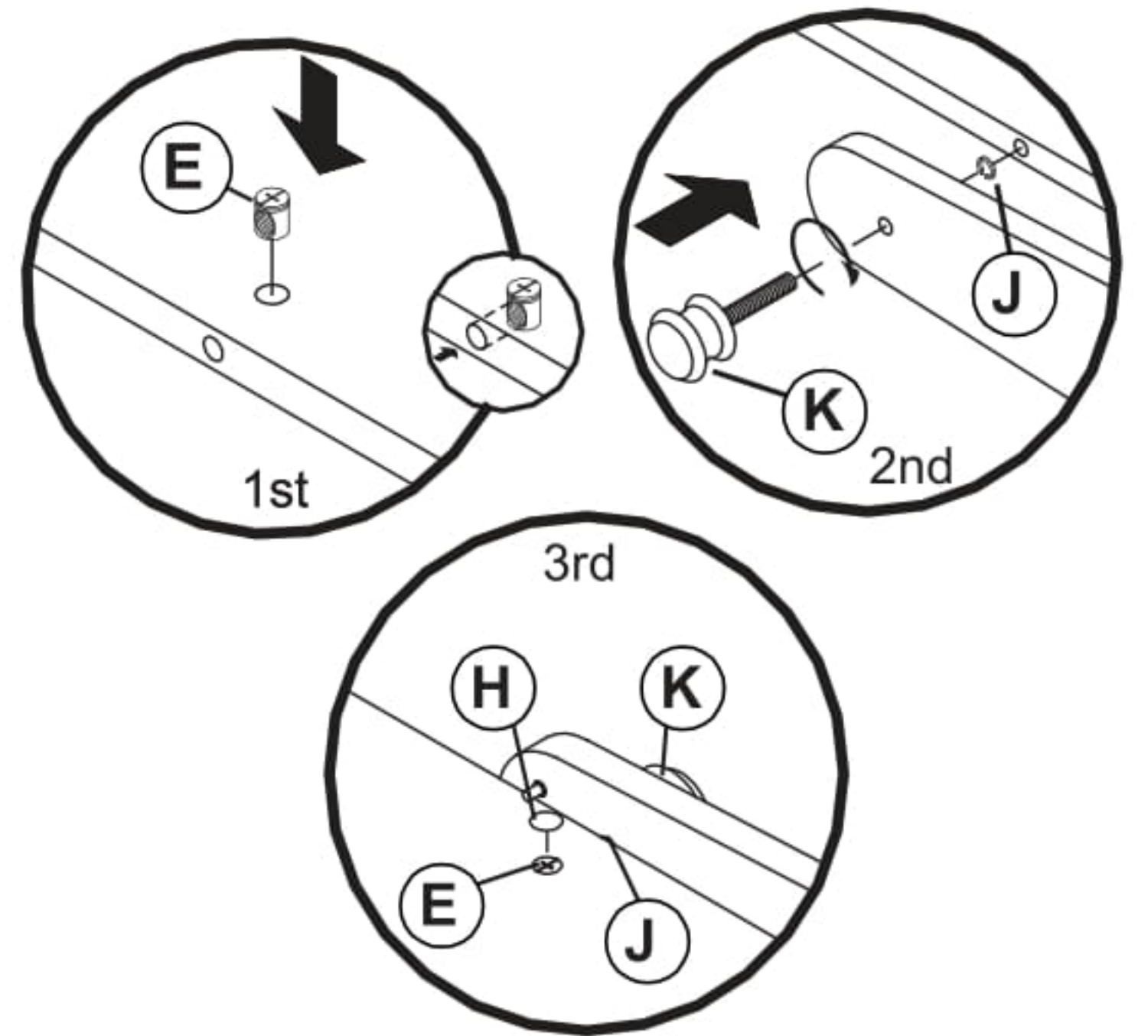
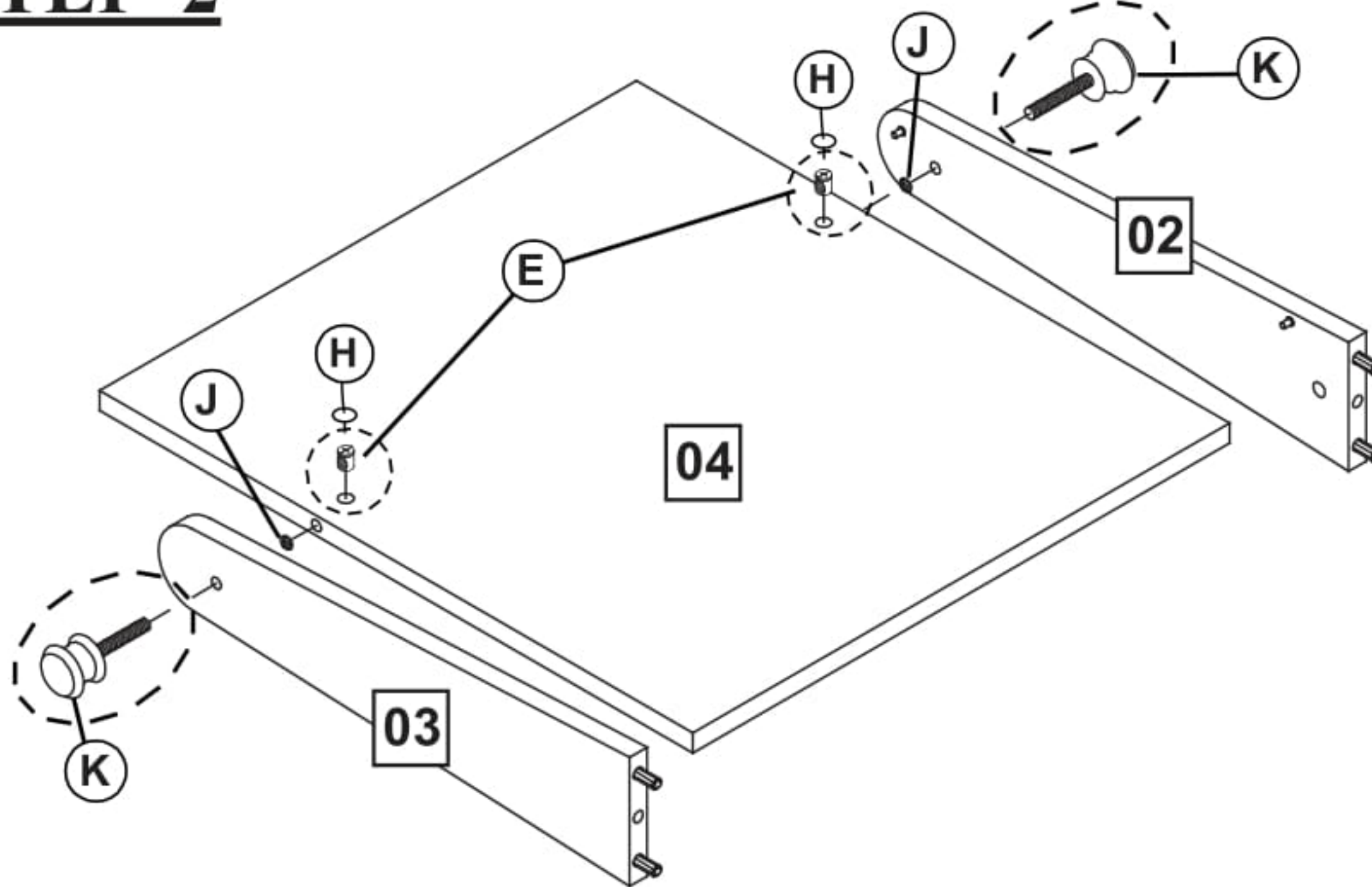


# STEP 1



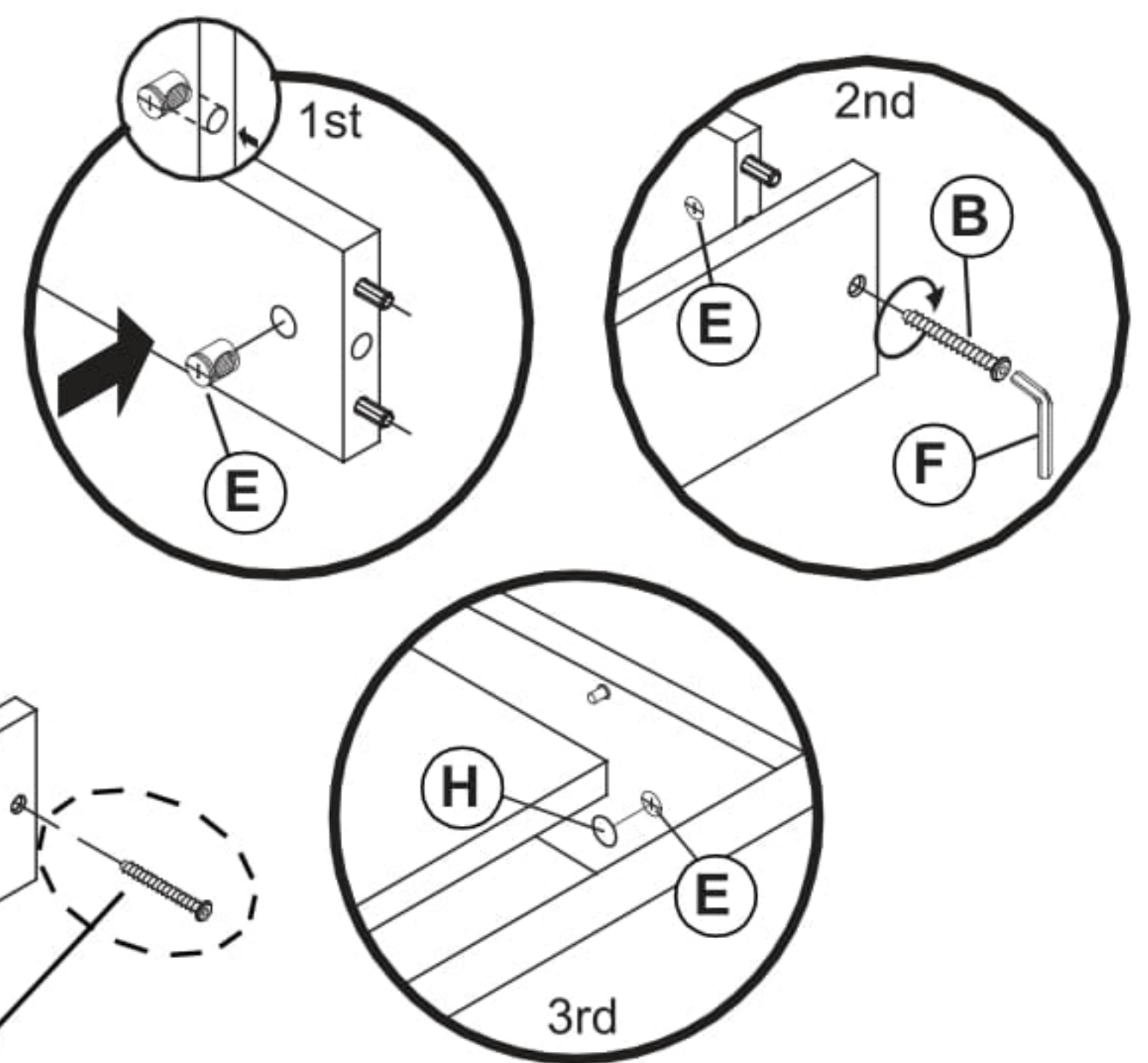
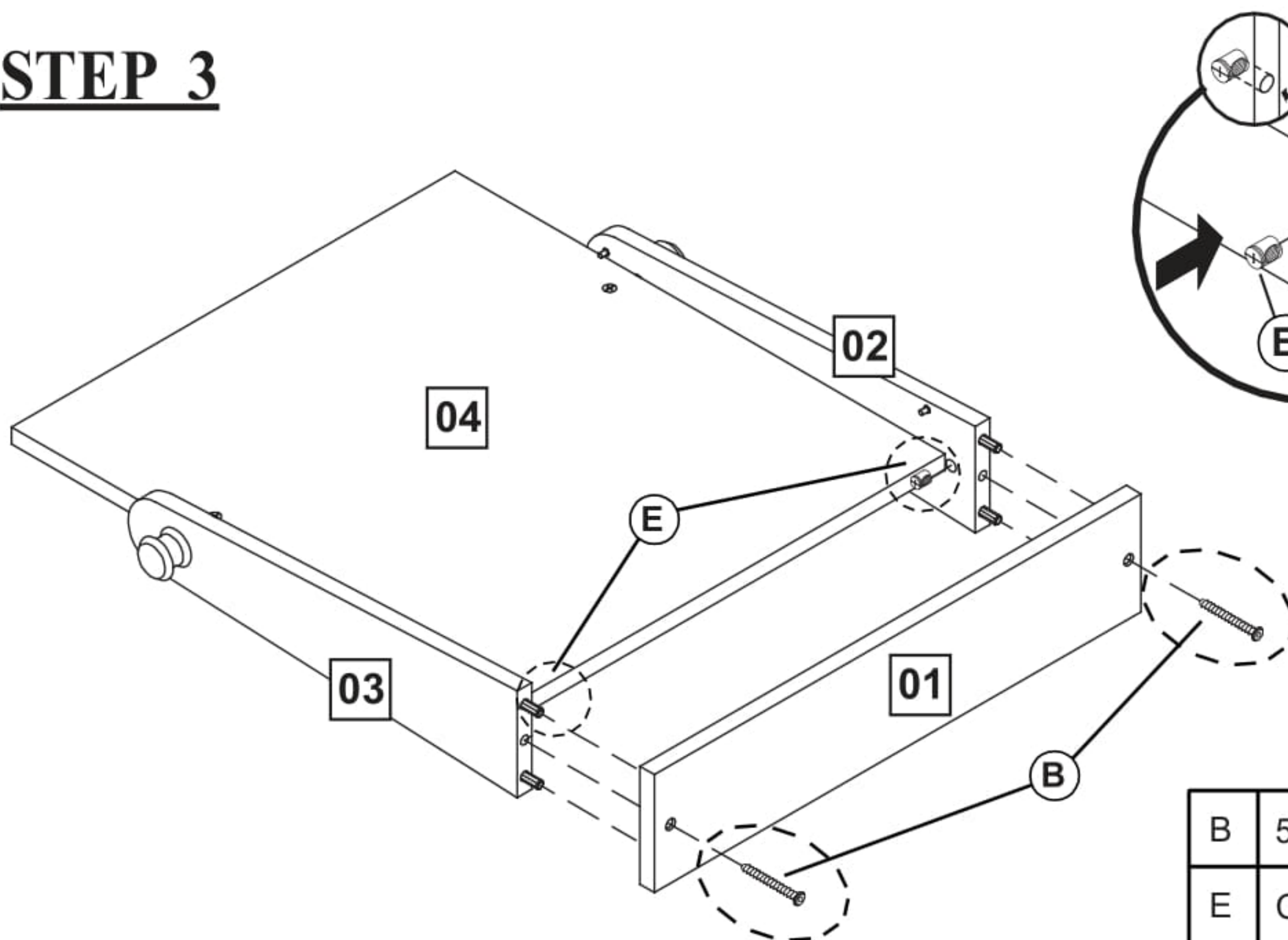
A	Wooden Dowel		x4
I	Iron Shelf Support		x4

# STEP 2



E	Connecting Pin		x2
J	Spring Washer		x2
K	Screw JCBC + Handle		x2
H	Screw Cover		x2

# STEP 3



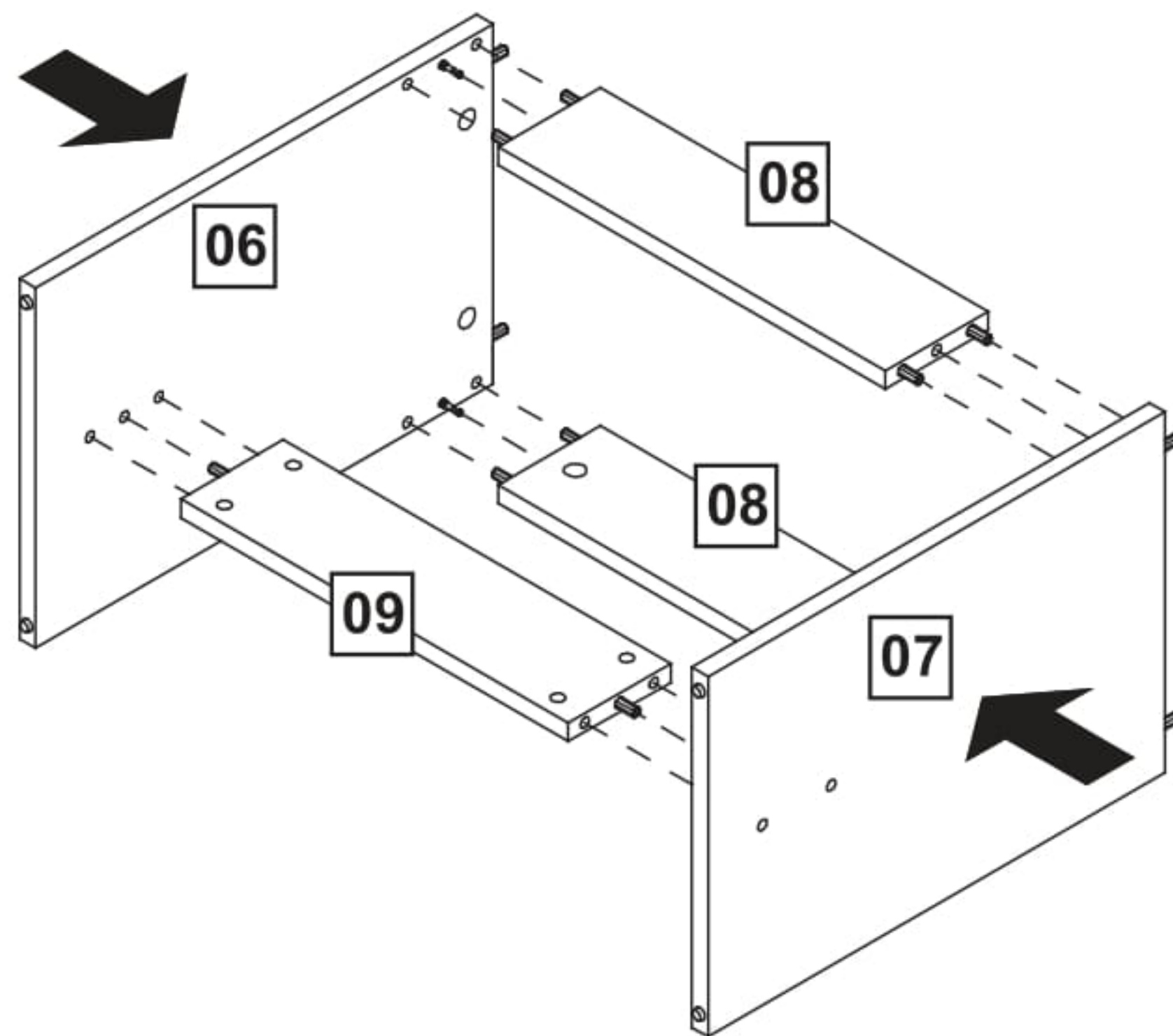
B	50mm Screw JCBC		x2
E	Connecting Pin		x2
F	Allen Key		x1
H	Screw Cover		x2

# STEP 4

**When Fitting Cams**  
Ensure starting position correct before you insert connecting bolt turn clockwise until secure.

A	Wooden Dowel		x14
C	Minifix Bolt		x8
G	Plastic Foot		x4

# STEP 5



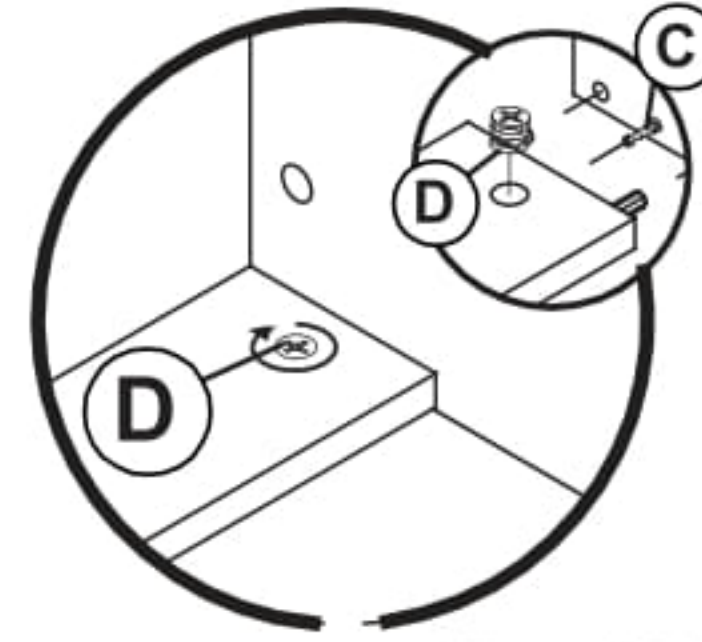
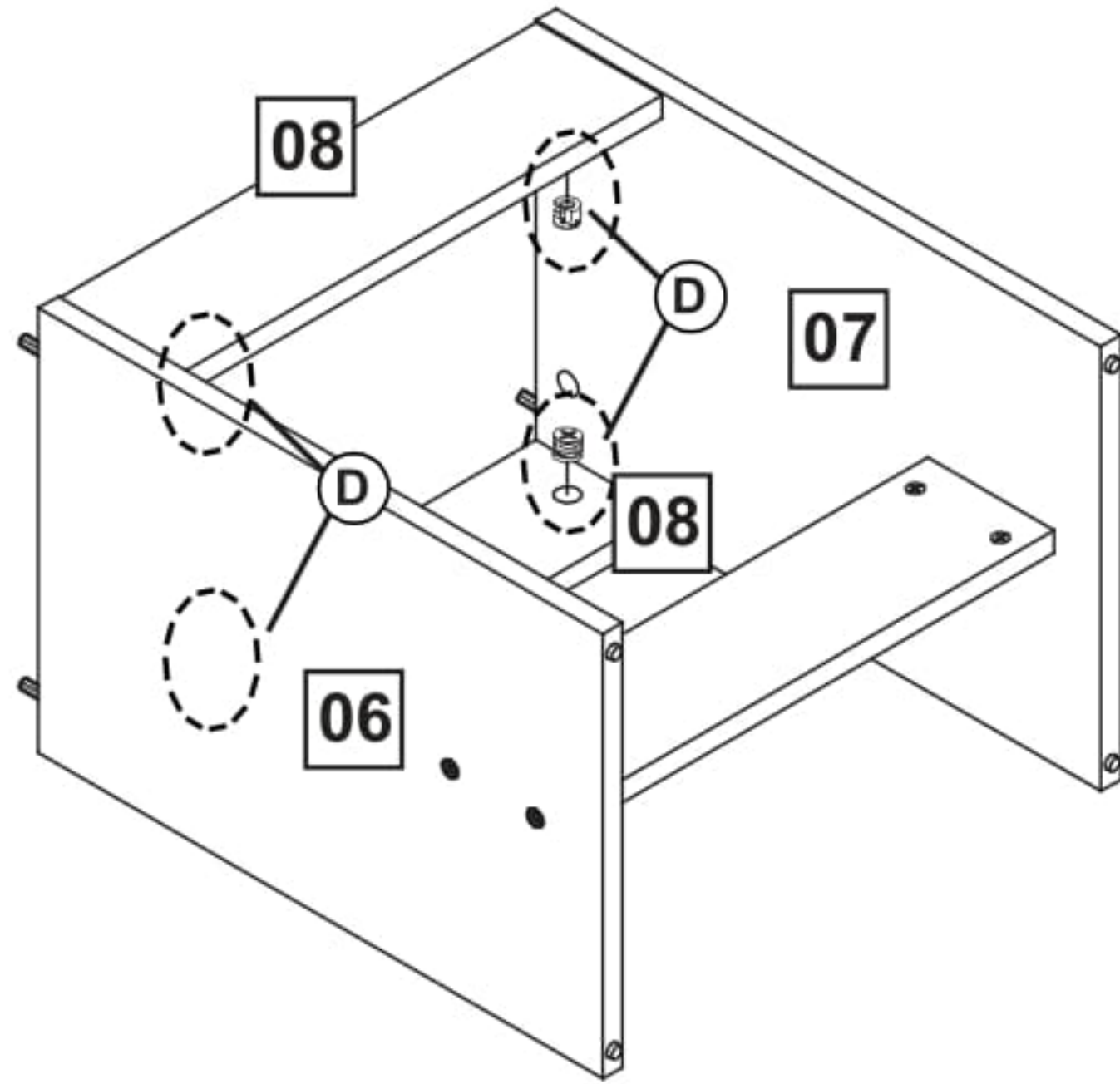
# STEP 6

**1st Step**

**2nd Step**

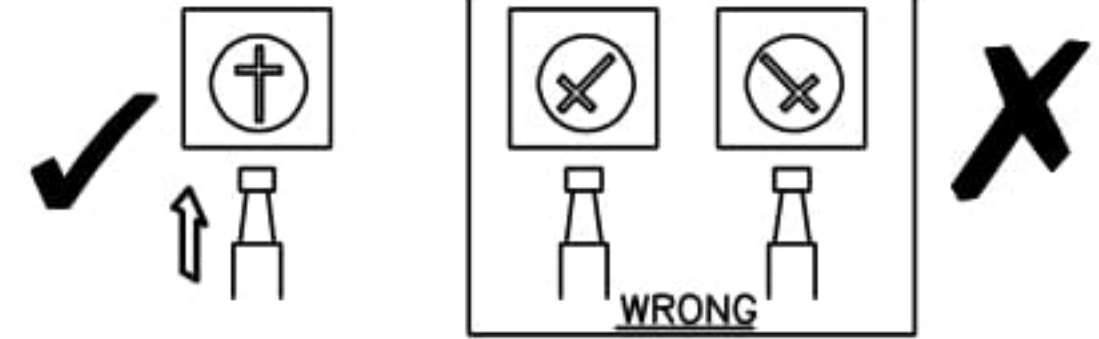
B	50mm Screw JCBC		x4
E	Connecting Pin		x4
H	Screw Cover		x4

# STEP 7



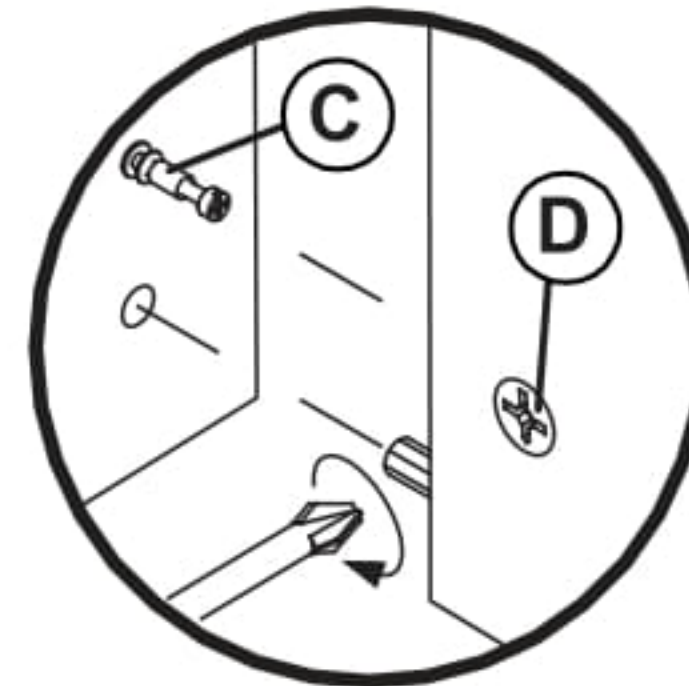
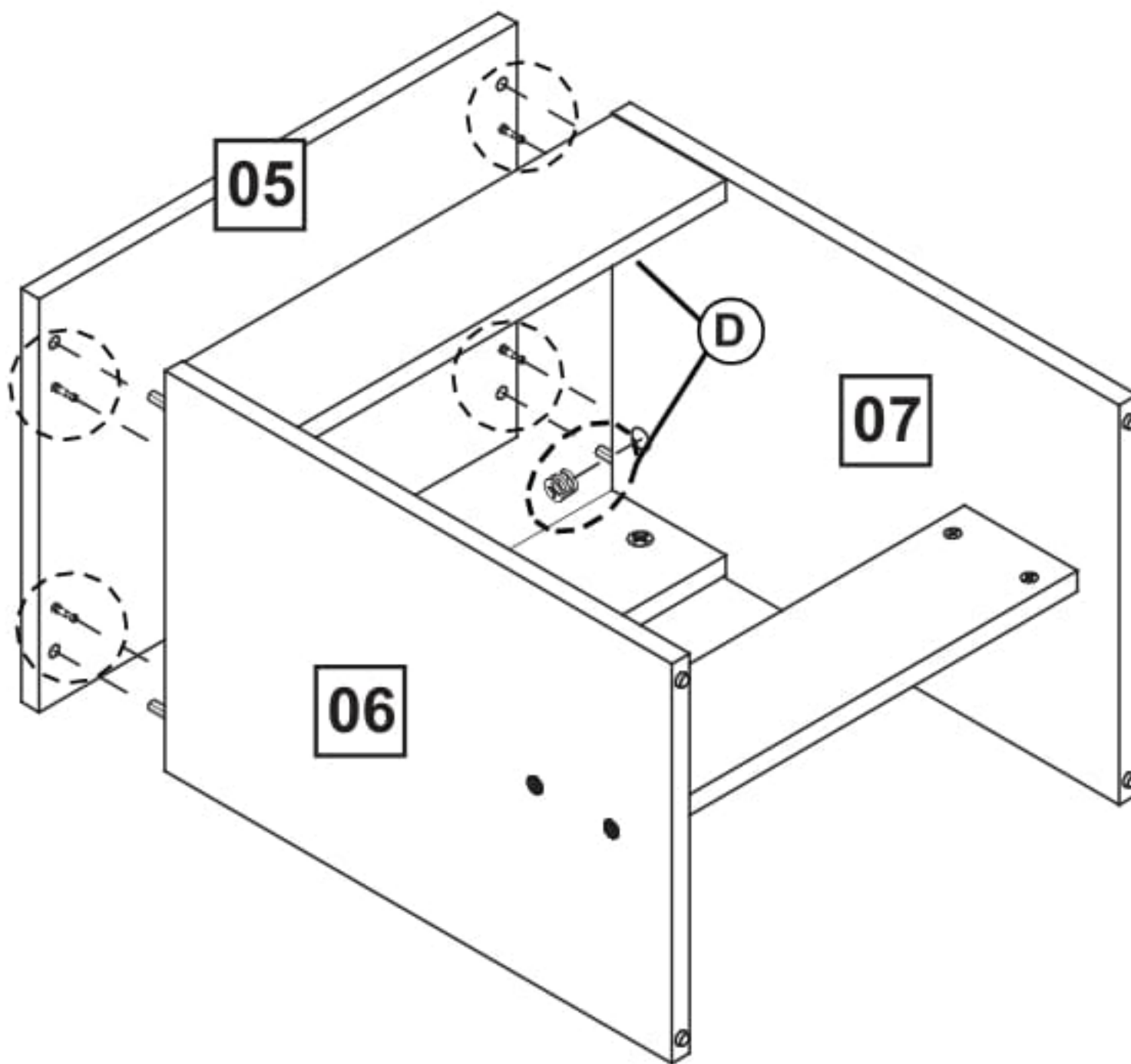
### When Fitting Cams

Ensure starting position correct before you insert connecting bolt turn clockwise until secure.



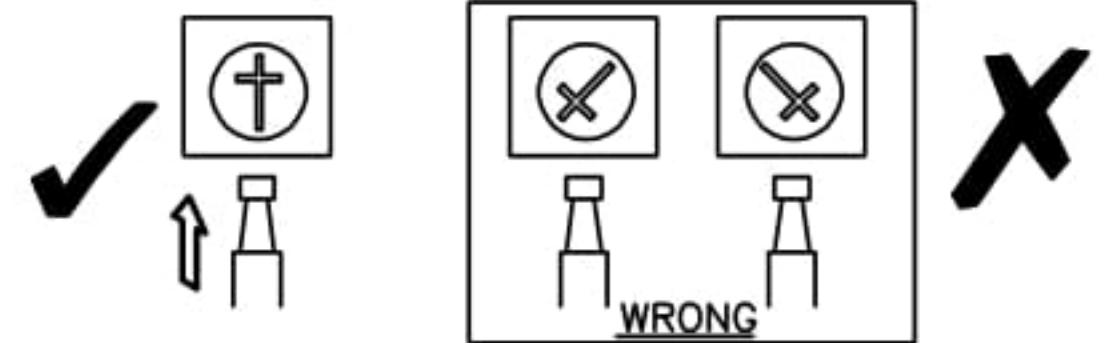
D	Minifix Cam Nut		x4
---	-----------------	--	----

# STEP 8



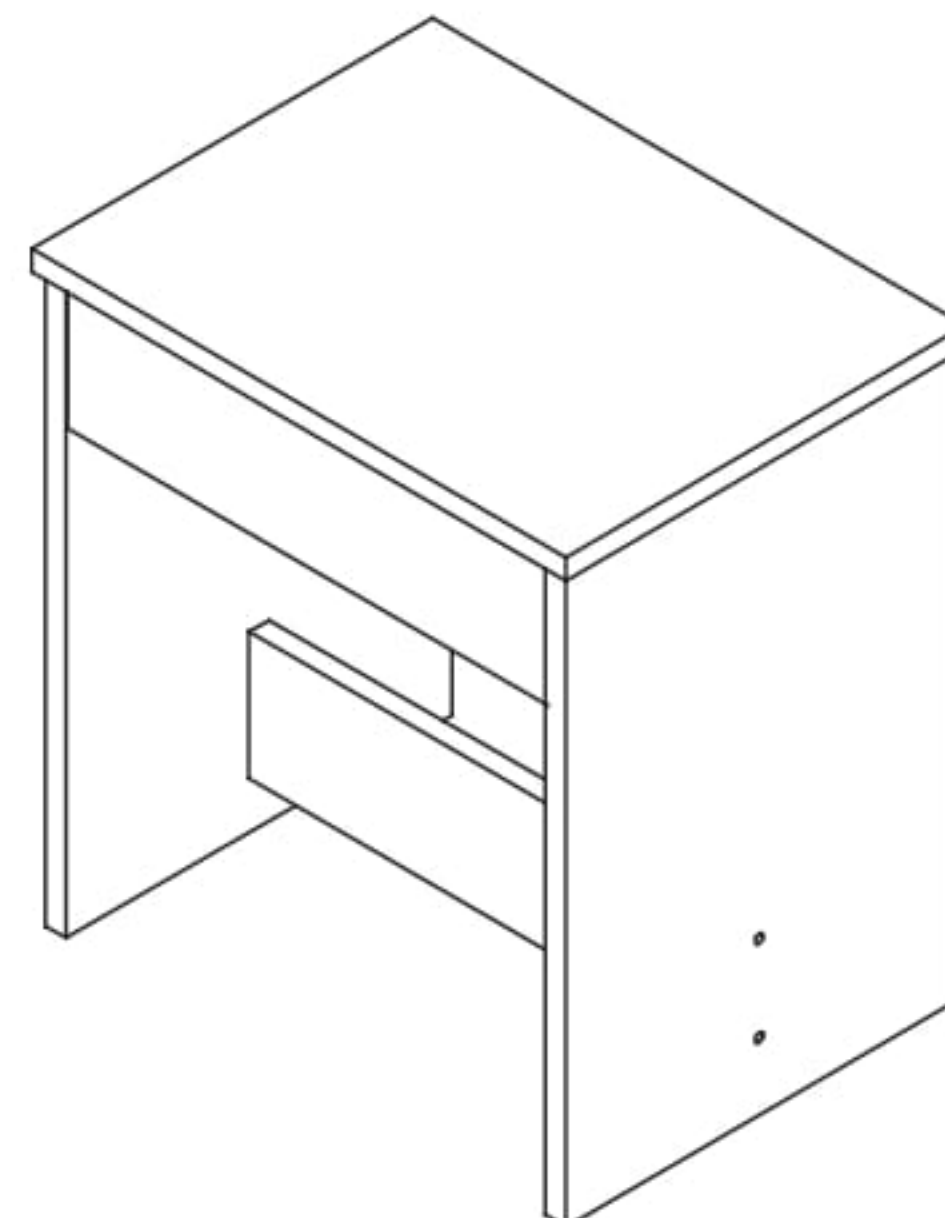
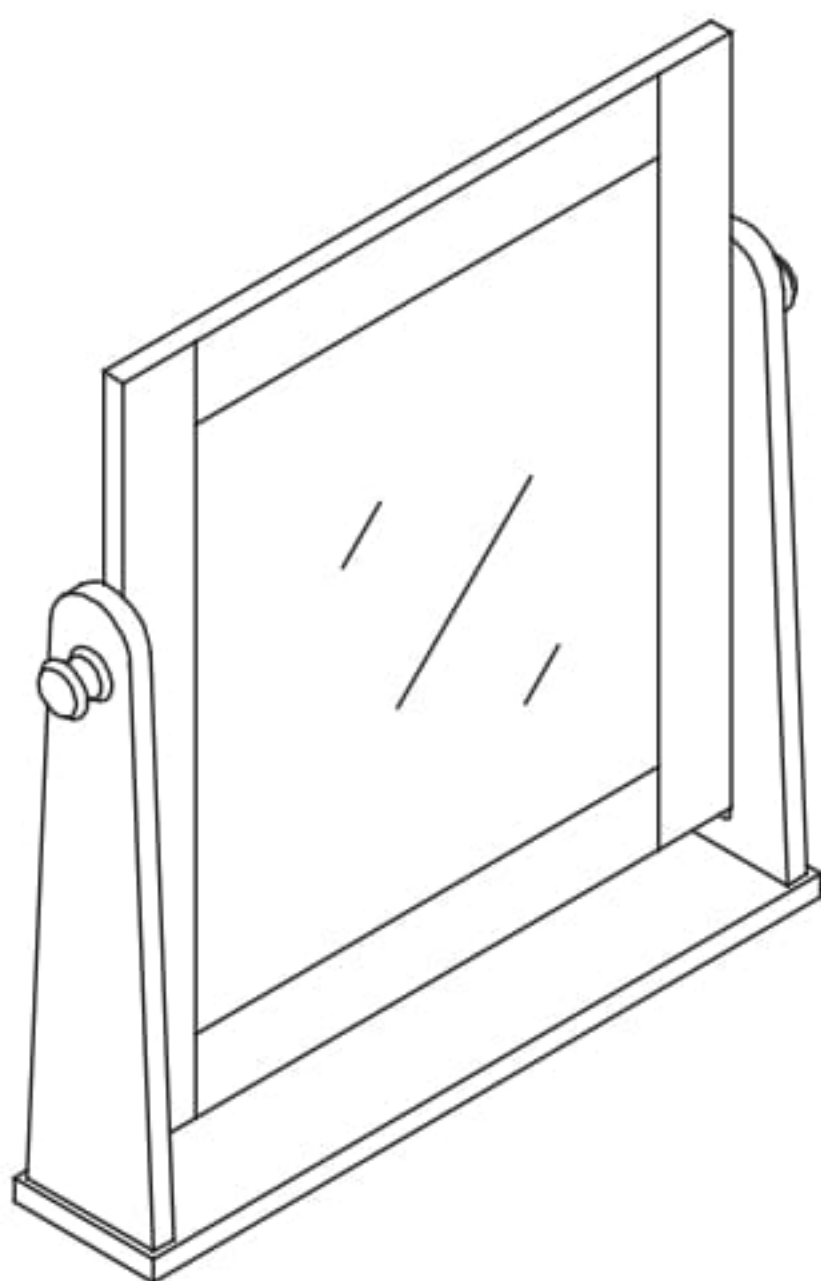
### When Fitting Cams

Ensure starting position correct before you insert connecting bolt turn clockwise until secure.



D	Minifix Cam Nut		x4
---	-----------------	--	----

# STEP 9



# FINISH