

USE AND MAINTENANCE

Use on level surfaces only

Because this product needs assembly, it is prone to working itself loose from time to time depending on the use. Please take the time to check that all connections are still tight and working properly

Only clean using a damp cloth and mild detergent, do not use bleach or abrasive cleaners.

Juliet Adjustable Ergonomic Mesh Office Chair

PART LIST



1 - Chair Back x1



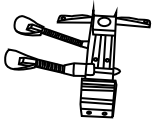
2 - Chair Cushion x1



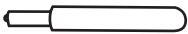
3 - Chair Headrest x1



4 - Chair Armrest x 2



5 - Chair Lever x 1



6 - Chair Height Adjustment x1



7 - Chair Wheel x1



8 - Chair Caster x 5



9 - Chair Support x 1

HARDWARE



A - M6 x 20 Screw x 8



B - M6 x 25 Screw x 2

HARDWARE



C - M8 x 20 Screw x 2



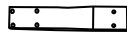
D - M8 x 30 Screw x 2



E - Back Cover x 1



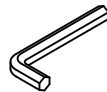
F - Headrest Handwheel x 1



G - x 1

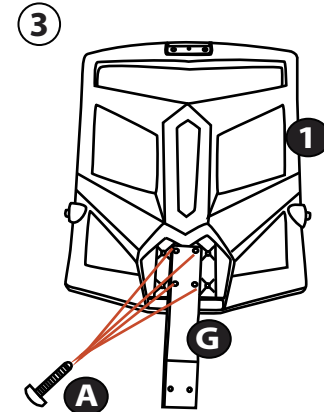
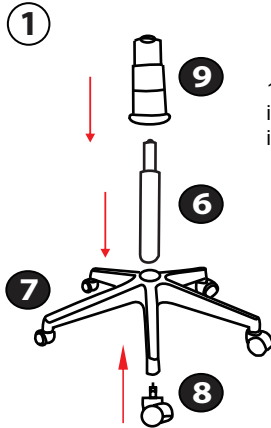


H - x 4

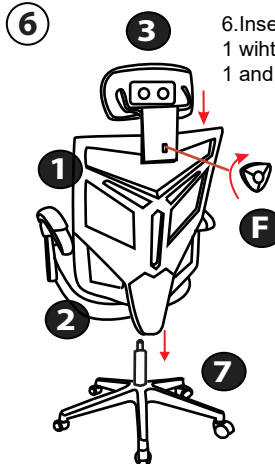


I - Hex Screwdriver x 1

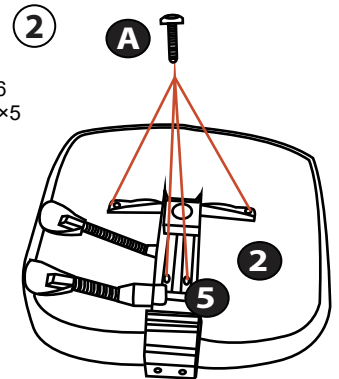
Assembly Instructions



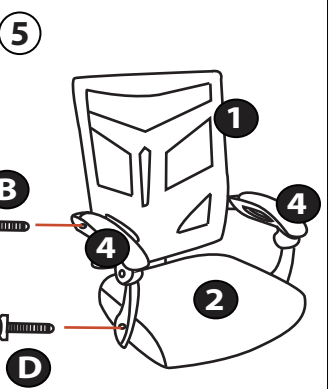
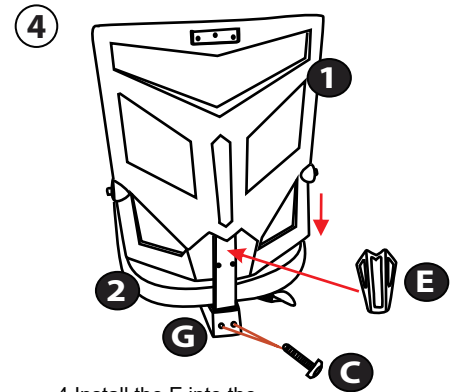
3. Install the A x 4 into the G into the 1.



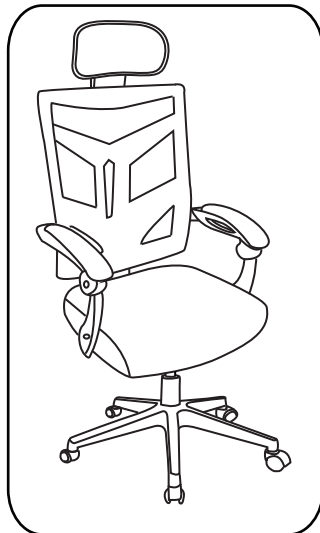
6. Insert the 3 into the 1 with F. Install the 1 and 2 into the 7.



4. Install the E into the back of the 1.



5. Insert the B and D into the one of the 4 with the H x 2 into the 1 and 2. Repeat for the other 4.



Congratulations! Setup of your new Naomi Home Juliet Adjustable Ergonomic Mesh Office Chair is Complete!