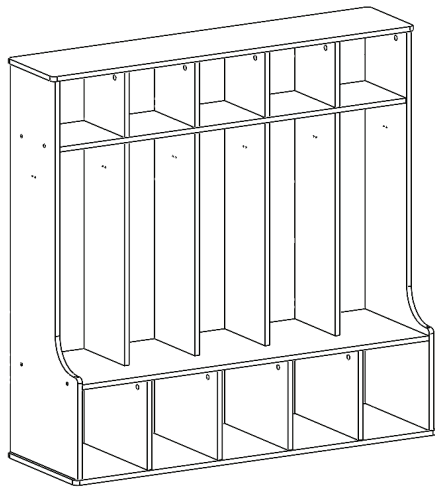
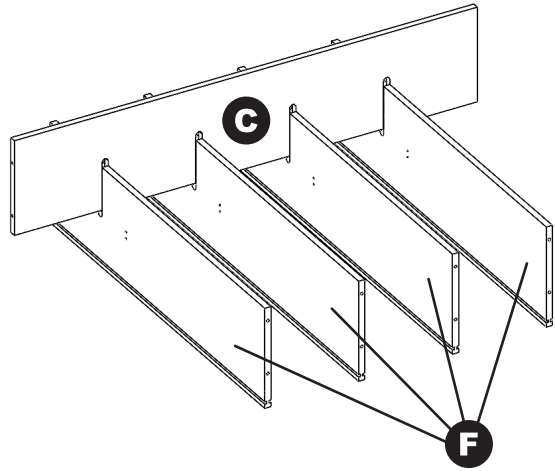
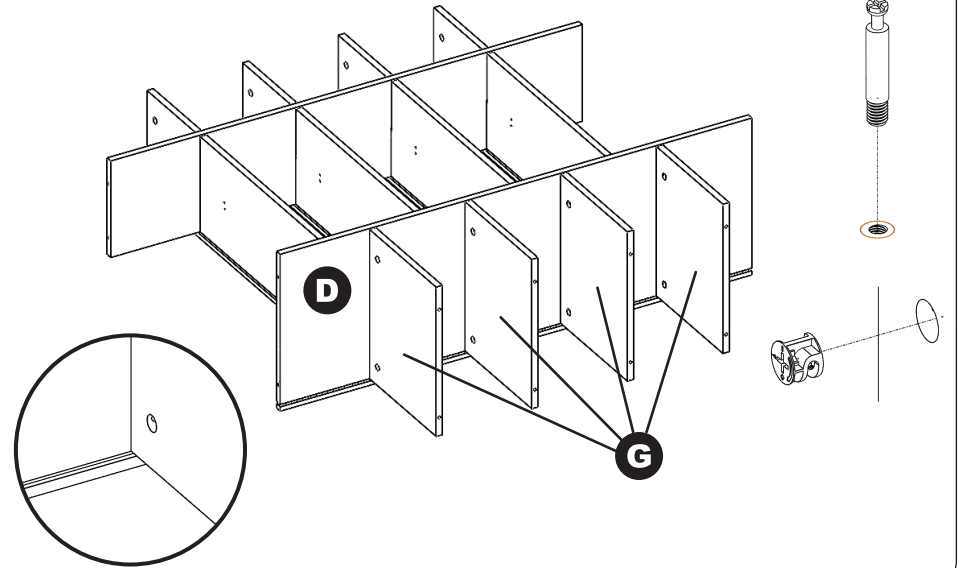
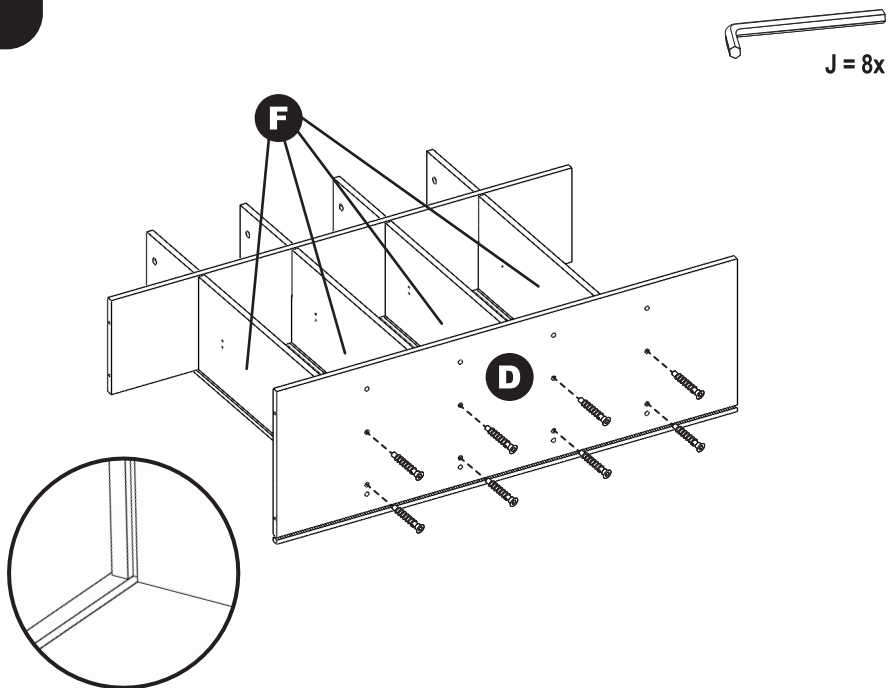
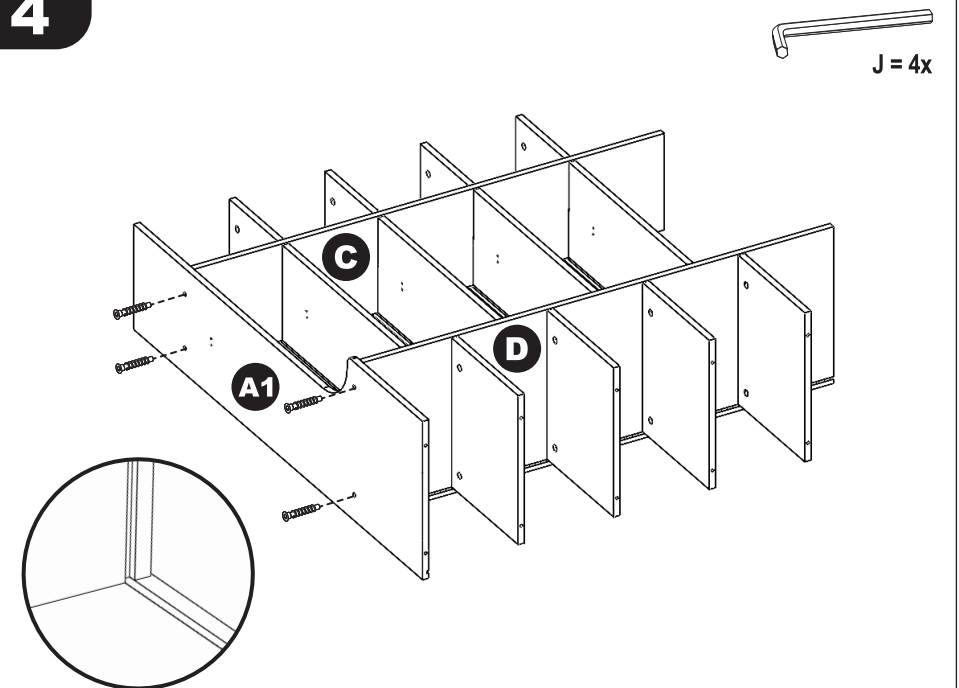


Birch 5 Section Coat Locker w/ Bench

Item No.: 13140-NT

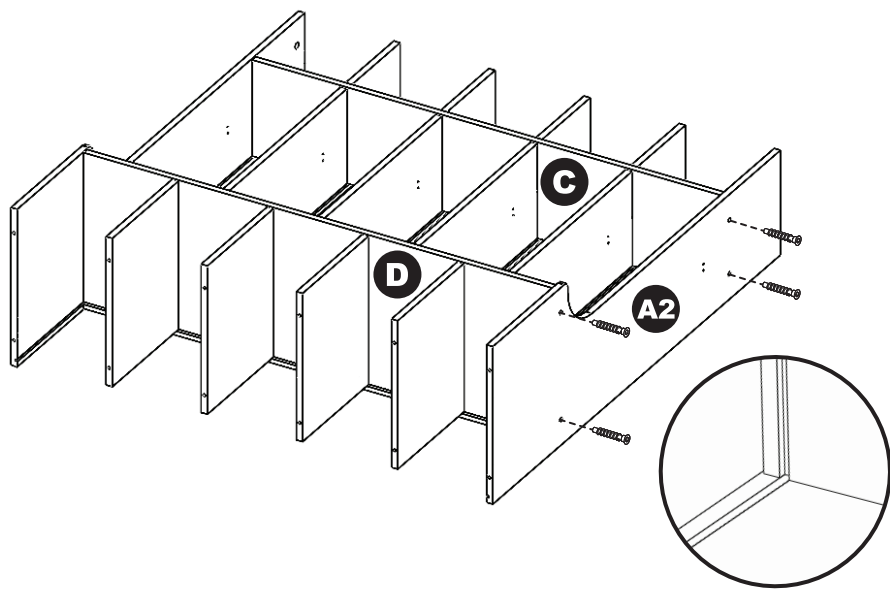


<p>A</p> <p>1x/1x</p> <p>A1 A2</p>	<p>F</p> <p>4x</p>	<p>H</p> <p>5x</p>
<p>B</p> <p>1x</p>	<p>I</p> <p>1x</p>	
<p>C</p> <p>1x</p>	<p>J</p> <p>28x</p>	
<p>D</p> <p>1x</p>	<p>K</p> <p>20x/20x</p> <p>K1 K2</p>	
<p>E</p> <p>1x</p>	<p>L</p> <p>10x</p>	<p>M</p> <p>12x/12x</p> <p>M1 M2</p>
	<p>N</p> <p>1x</p>	

1**3****2****4**

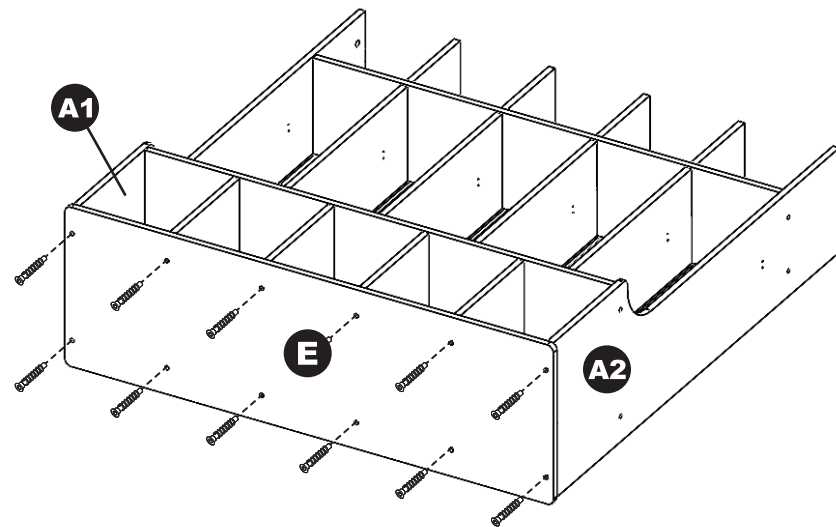
5

J = 4x

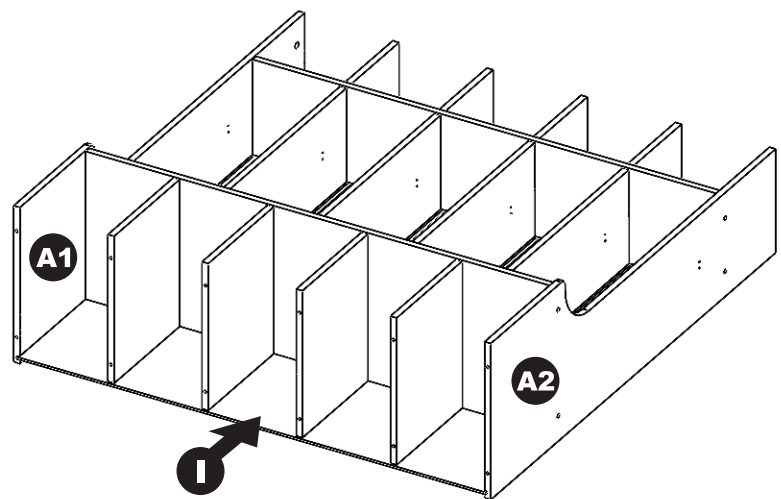


7

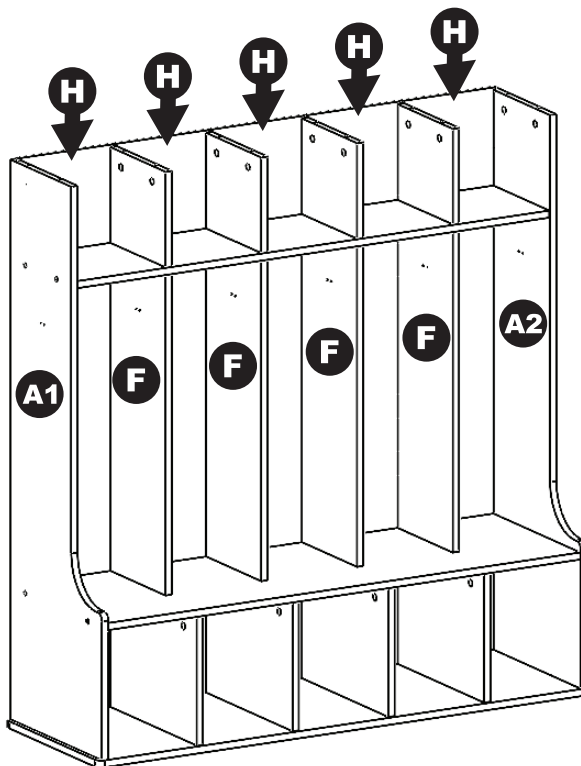
J = 12x



6



8



We appreciate your purchase of the Coat Locker.
Factory Direct Partners has made every effort to supply a quality product that
with proper use and care, will provide many years of trouble-free use.

If you experience any difficulties with this product, please email us at
customerservice@factorydirectpartners.com or call toll-free at
(619) 332-6337
(Monday - Friday, 7:00am - 4:00pm Pacific Standard Time)

Please do not return to place of purchase as Factory Direct Partners
will replace defective part(s) and/or product.

Care and Cleaning

Clean with a damp cloth or sponge using
warm water and mild soap. Wipe dry.

Do not place near heat, moisture or
vaporizer which may cause wood to warp
and peel.

Check for loose or worn parts periodically
and tighten or replace as necessary.

▲ WARNING:

Adult Assembly Required.

Two adults recommended.

- ▲ Contains small parts, sharp points and edges.
- ▲ Do not stand, sit, kneel, climb, lean or pull on
unit for support.
- ▲ Never leave children unattended.
- ▲ Do not place unit near high heat or moisture.
- ▲ Adult supervision recommended.

▲ ADVERTENCIA:

Se requiere un adulto para su ensamblaje.

Se recomienda que lo hagan dos adultos.

- ▲ Contiene partes pequeñas, puntas y
bordes filosos.
- ▲ No se pare, siente, arrodille, trepe, recline
o jale la unidad como apoyo.
- ▲ Nunca deje a los niños sin atención.
- ▲ No coloque la unidad cerca de donde
haya calor o humedad.
- ▲ Se recomienda que lo supervise un adulto.

▲ AVERTISSEMENT :

L'assemblage nécessite un adulte.

Deux adultes recommandés.

- ▲ Contient des petites pièces, des parties
pointues et des bords tranchants.
- ▲ Ne pas se mettre debout, s'asseoir,
s'agenouiller, monter, s'appuyer ou pousser
sur l'unité pour se soutenir.
- ▲ Ne jamais laisser les enfants sans surveillance.
- ▲ Ne pas installer l'unité à côté d'une source
de chaleur ou d'humidité.
- ▲ La surveillance par un adulte est
recommandée.



▲ **WARNING:** Choking Hazard – Small parts.
Not for children under 3 years.

▲ **ADVERTENCIA:** Peligro de asfixia – Partes pequeñas.
No apto para niños menores de 3 años.

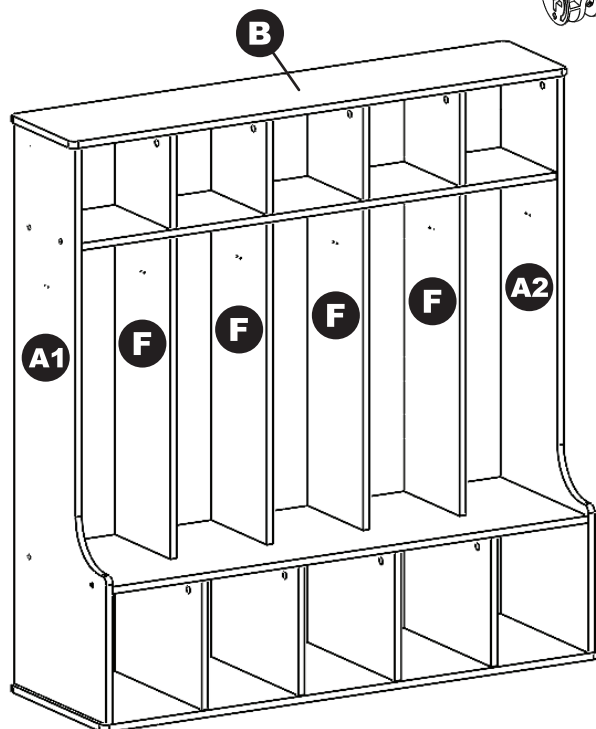
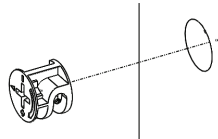
▲ **AVERTISSEMENT :** Risque d'étouffement - Petites pièces.

Ne convient pas aux enfants de moins de 3 ans.



9

K1 = 12x
K2 = 12x

**10**

M1 = 12x
M2 = 12x

