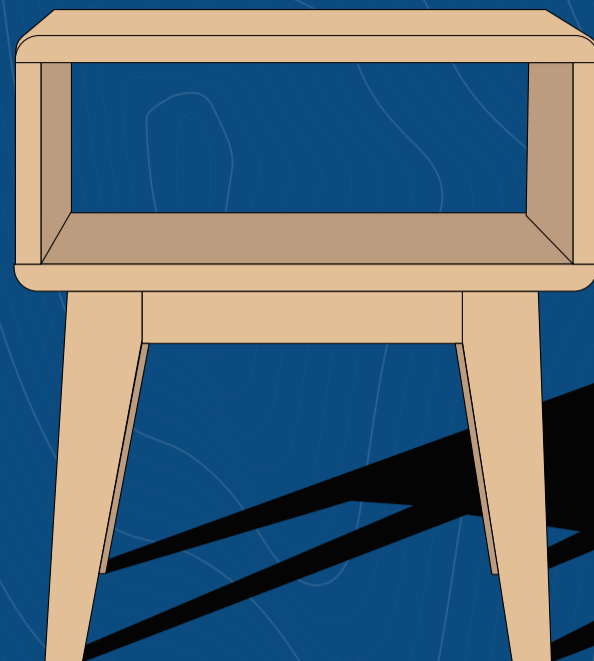


SERENA NIGHTSTAND WITH 2 DRAWERS

MAKE YOUR HOUSE YOUR HOME



Easy Assembly



1-2 Assembly Recommended

USE & CARE

- Wipe with a soft, damp cloth and mild cleanser; avoid harsh chemicals or abrasives.
- Do not drag sharp or heavy objects across the surface. Avoid scratching, gouging, or hitting the surface with hard objects.
- Keep away from direct sunlight, heat, or vents to prevent fading, warping, or cracking.
- Wipe spills and moisture immediately to prevent damage.
- Use coasters or mats for hot or cold items.
- Avoid placing liquids inside drawers and keep contents dry to protect the internal structure.

WARNING – SAFETY INFORMATION

- Assemble the nightstand on a smooth, level, and soft surface to prevent scratches or damage. Ensure all components and hardware are present before discarding packaging.
- Use only the provided or compatible hardware; incorrect parts may cause structural damage or instability.
- Keep small parts away from children. Adult supervision is required during assembly.
- Follow all assembly instructions carefully. Improper assembly and usage may result in injury or product damage, and the manufacturer will not be responsible for issues caused by incorrect assembly.
- Tighten screws securely, but avoid overtightening.
- Place the nightstand on a level, stable surface. Verify feet, supports, and components are correctly positioned. Check stability periodically, especially after moving or adjusting drawers.
- Do not exceed the maximum weight capacity. Failure to comply with these weight limits may result in product damage or personal injury.
- Do not sit, stand, climb, lean, or place weight on the top of the nightstand. Pay attention to children to prevent climbing or pushing the nightstand.
- Do not attempt unauthorized modifications or repairs. Inspect and clean periodically to ensure long-term durability.

WARRANTY INFORMATION

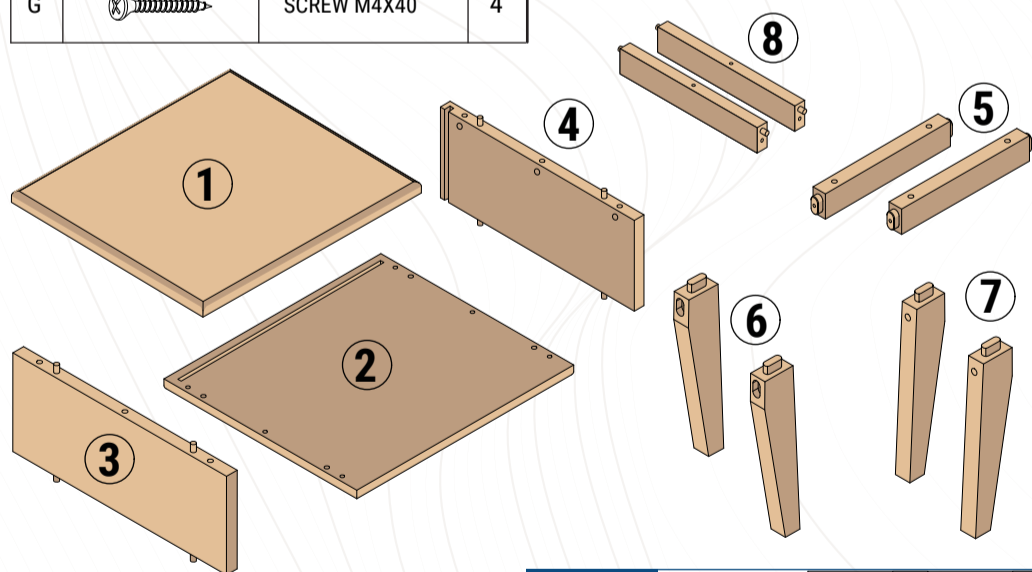
- Warranty covers defects in materials or workmanship under normal use.
- Valid only for the original purchaser and for products bought from authorized retailers.
- Not covered: normal wear, misuse, accidents, improper care, unauthorized repair, or modification. Is not liable for indirect, incidental, or consequential damages.
- Proof of purchase and photos of defects are required for claims.
- Replacement or repair will be provided at our discretion after verification.

You can find full details about our satisfaction guarantee and warranty in the product information section for your reference.

Our qualified staff is ready to assist you with any technical issues during installation or configuration — just reach out to us.

HARDWARE LIST

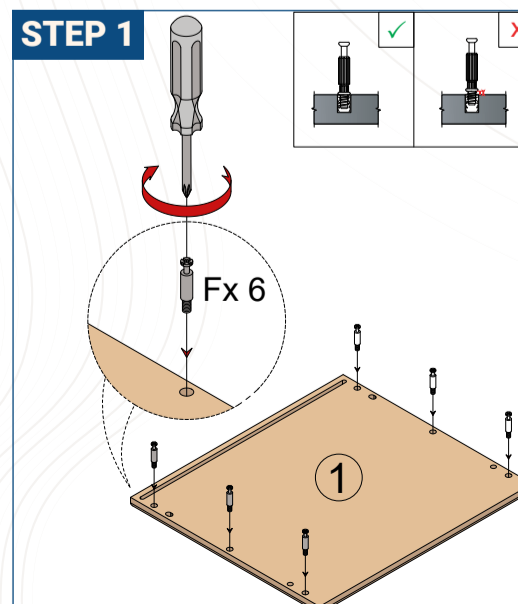
A		CAMLOCK	6	B		Ø6 x 35 BOLT	4
C		Ø6 x 70 BOLT	4	D		CROSS DOWEL	4
E		HEX HEAD WOOD SCREW M7X40	6	F		ALLEN KEY M4	1
G		SCREW M4X40	4				



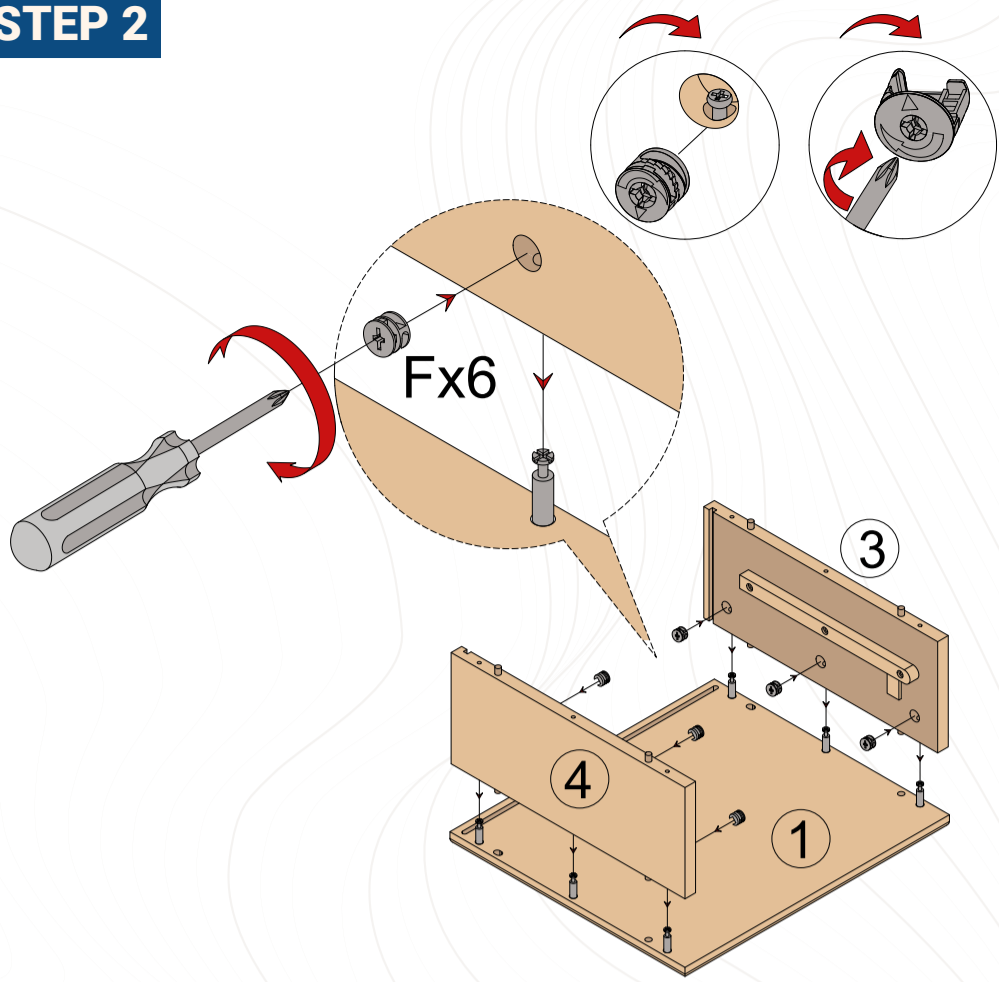
① TOP



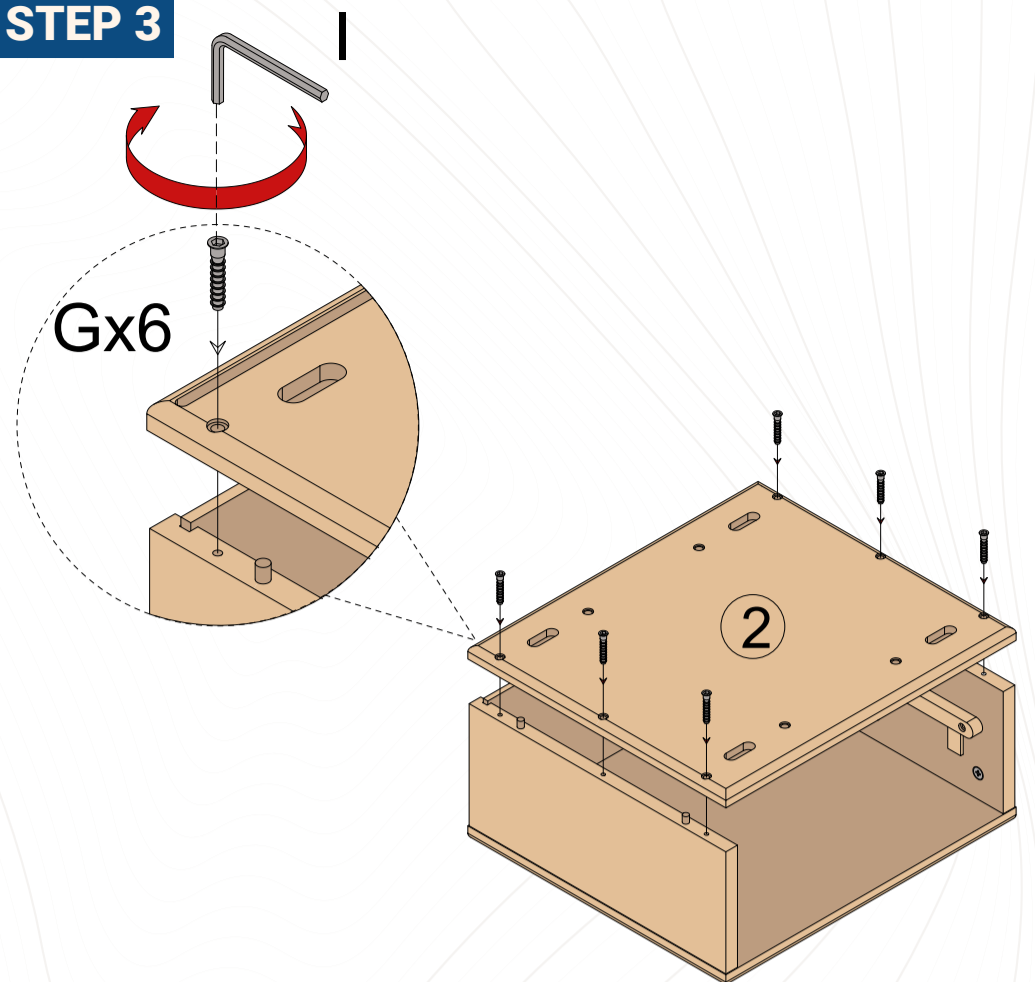
② BOTTOM



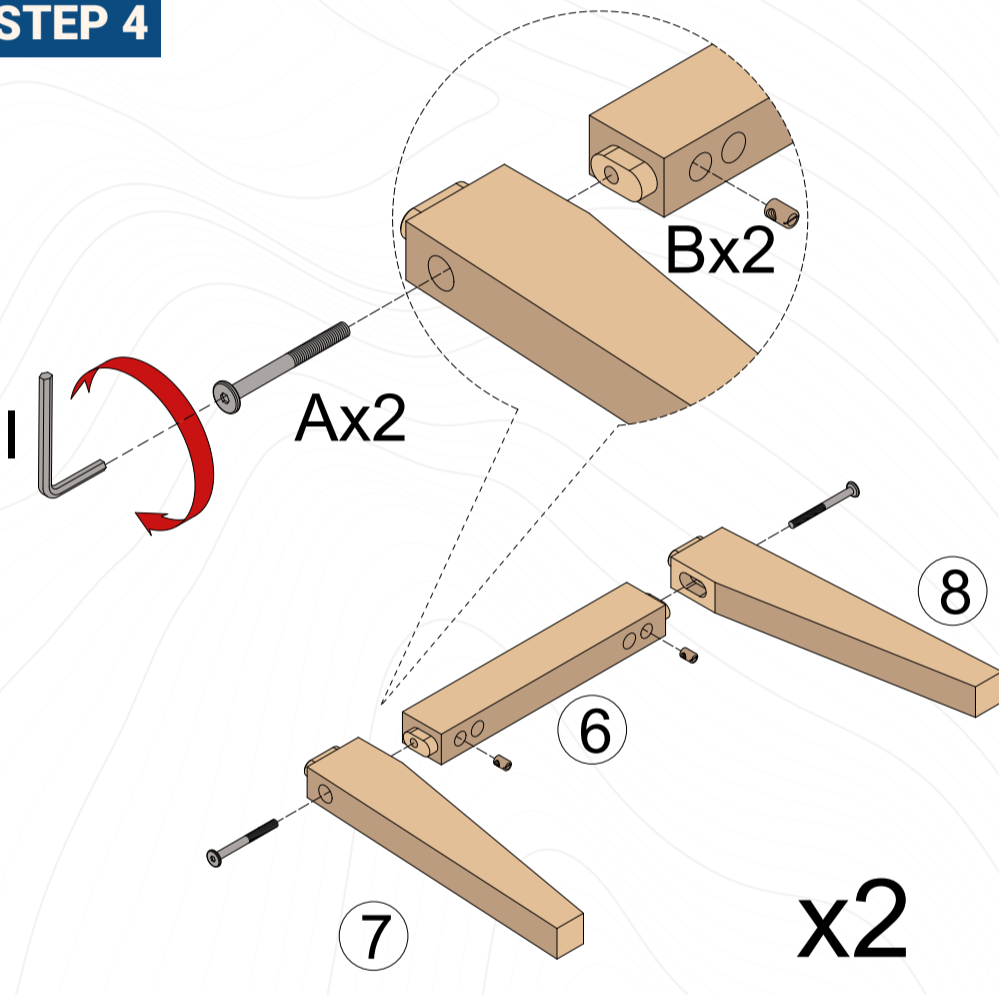
STEP 2



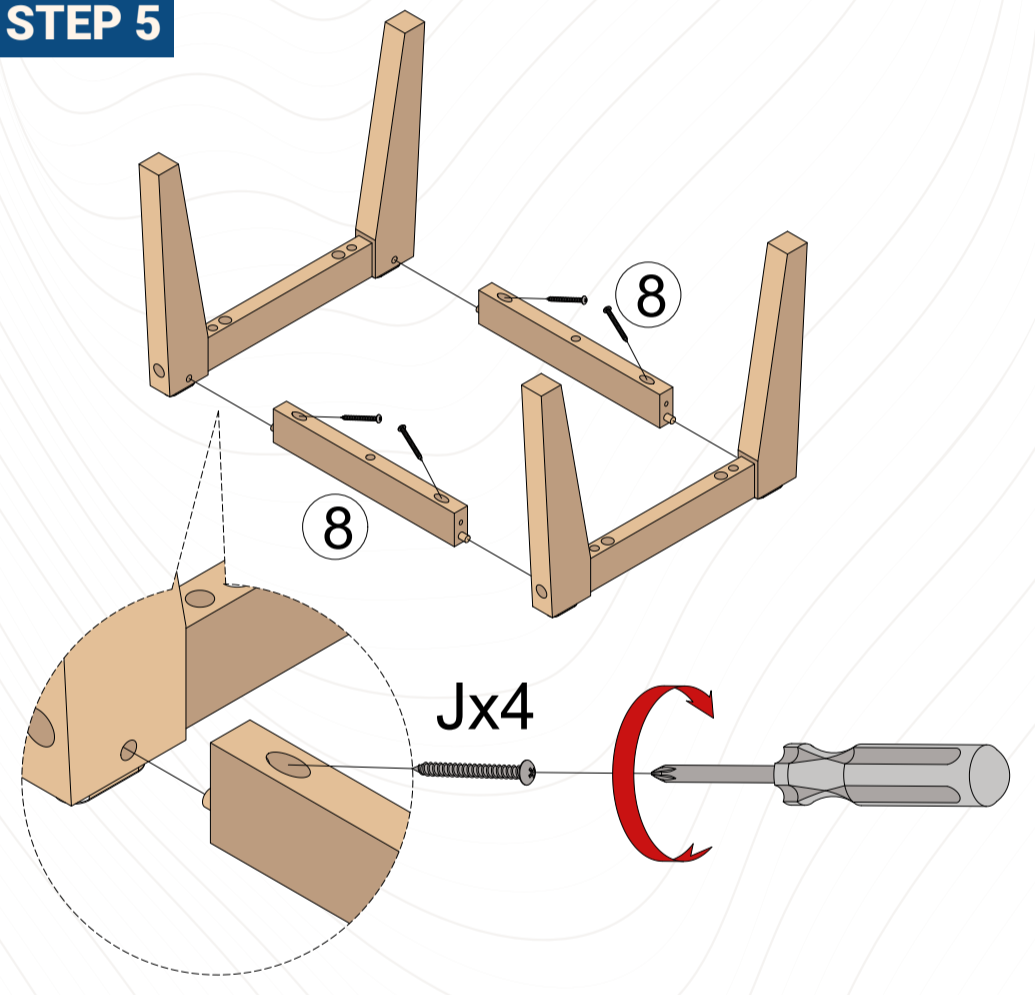
STEP 3



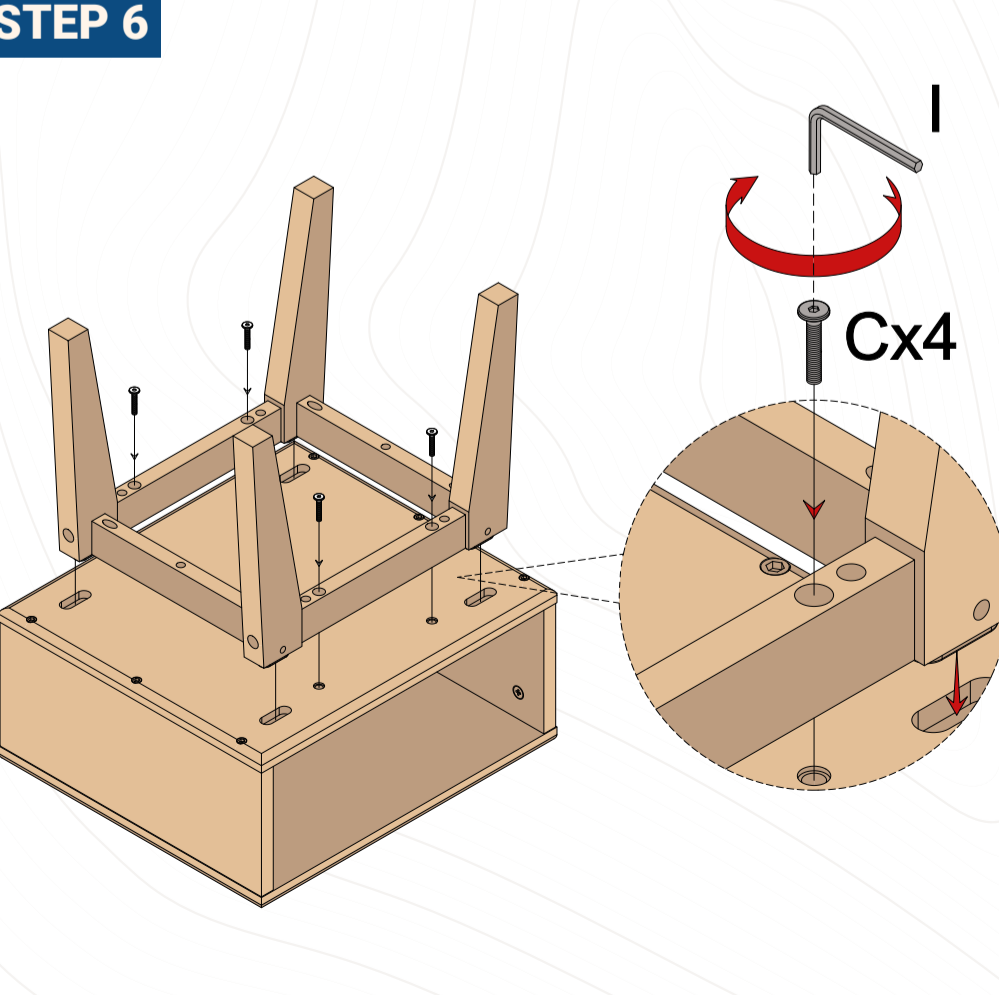
STEP 4



STEP 5



STEP 6



STEP 7

