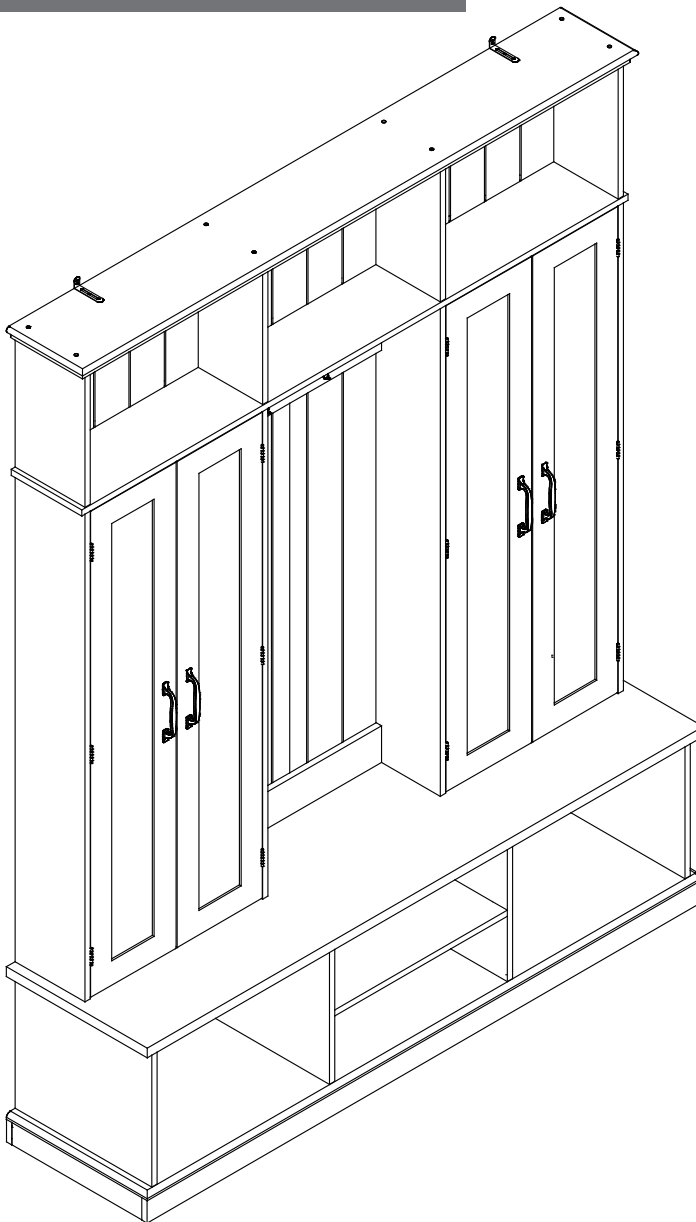


Hall Tree

Assembly Instructions - Please keep for future reference



Dimensions

Width- 62.2inch

Depth- 15.75inch

Height- 78.74inch



WARNING



This product is NOT a Clothing Storage Unit (CSU).
DO NOT use it for clothing storage.
Improper use may cause furniture tipover.

Important – Please read these instructions fully before starting assembly



Safety and Care Advice

Important – Please read these instructions fully before starting assembly

- Check you have all the components and tools listed on the following pages.
- Remove all fittings from the plastic bags and separate them into their groups.
- Keep children and animals away from the work area, small parts could choke if swallowed.
- Make sure you have enough space to layout the parts before starting.

- During assembly do not stand or put weight on the product, this could cause damage.
- Assemble the item as close to its final position (in the same room) as possible.
- Assemble on a soft level surface to avoid damaging the unit or your floor.
- Parts of the assembly will be easier with 2 people.



power drill is set on a low torque setting.

- To reduce the likelihood of damaging your product please ensure that your

Care and maintenance

- Only clean using a damp cloth and mild detergent, do not use bleach or abrasive cleaners.
- From time to time check that there are no loose screws on this unit.
- This product should not be discarded with household waste. Take to your local authority waste disposal centre.

Handy Hints

- Assemble all parts and bolts loosely during assembly, only once the product is complete should you fully tighten the bolts
- Regularly check and ensure That all bolts and fittings are tightened properly.

WARNING In order to help prevent overturning – please follow these instructions

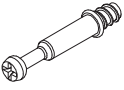


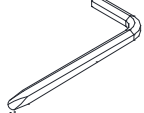
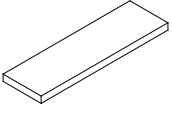
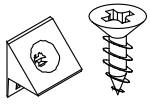
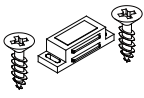
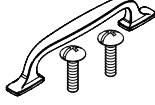




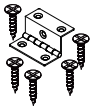

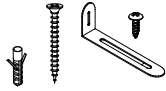

To help prevent product toppling over please follow the below steps:-

- Use the anti tip stap or wall fixing method provided (if applicable)
- Do not allow children to climb or hang on the furniture
- Do not open more than one drawer at a time
- Do not place heavy items in the top drawers
- Do not place heavy items on top of the furniture, unless the furniture has been designed for this purpose

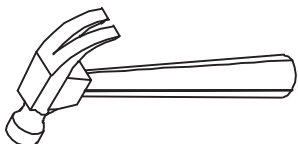
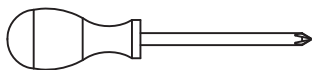
Components - Fittings

Please check you have all the panels listed below

Note: The quantities below are the correct amount to complete the assembly. In some cases more fittings may be supplied than are required.

<p>(A) </p> <p>Cam Bolt x 54+2</p>	<p>(B) </p> <p>6*30mm Dowel x 52+2</p>	<p>(C) </p> <p>Cam lock x 54+2</p>	<p>(D) </p> <p>Allen key x 1</p>
<p>(E) </p> <p>Foot pad x10</p>	<p>(F) </p> <p>3.5*14mm Back panel clip x 24set</p>	<p>(G) </p> <p>x2set</p>	<p>(H) </p> <p>4*18mm round handle x 4set</p>
<p>(I) </p> <p>3*16mm Hook x 6set</p>	<p>(J) </p> <p>4*50mm Screw x 16+1</p>	<p>(K) </p> <p>adhesive tape x 1</p>	<p>(L) </p> <p>4*40mm Screw x 16+1</p>
<p>(M) </p> <p>3*12mm three-fold hinge x12set</p>	<p>(N) </p> <p>x 4set</p>	<p>(O) </p> <p>Anti-tipping Device x2</p>	<p>(P) </p> <p>Perfect fit x 50</p>

Tools required Not Included



Phillips screwdriver
(medium & large)

Using Camlocks

Step 1

Connect the male camlock as directed in the assembly instructions using a screwdriver.

1

DO NOT OVER TIGHTEN.
NE PAS SERRER EXCESSIVEMENT.



Step 2

Push the male camlock into the entry hole.

2

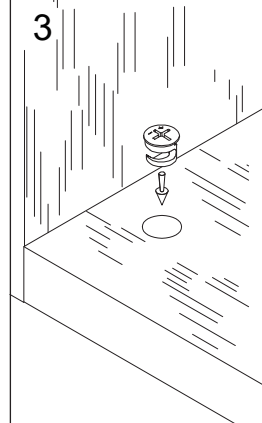


Step 3

Insert the female camlock as shown in the instruction.

Note: ensure that the arrow on the top of the camlock points towards the entry hole for the male camlock.

3



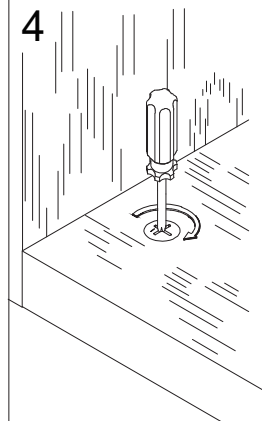
Step 4

Turn the female camlock clockwise with a screwdriver.

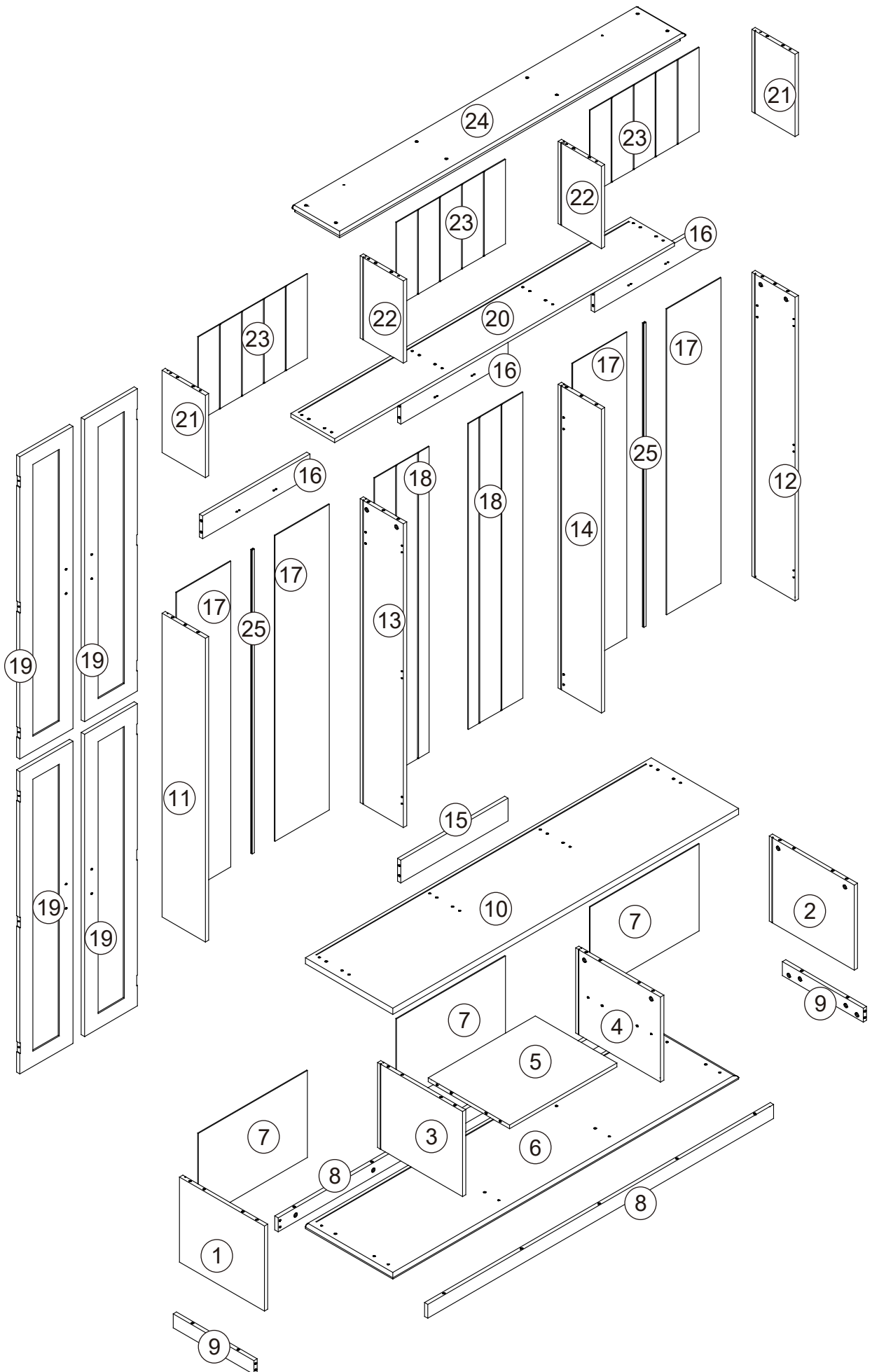
You should feel a click when the camlock is locked in place.

The joint is now secure.

4

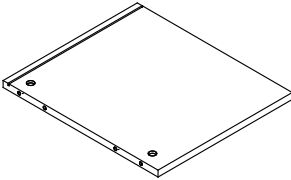
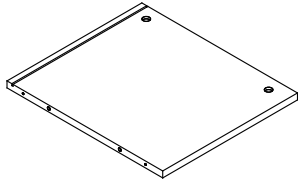
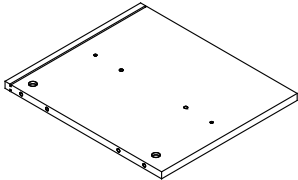
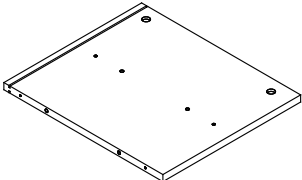
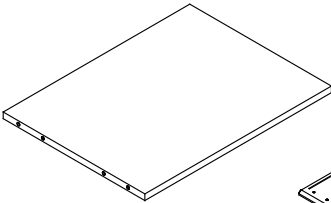
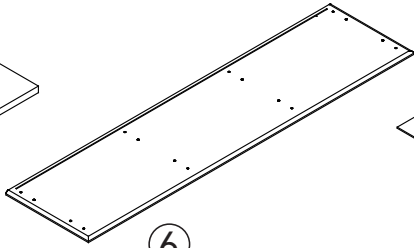
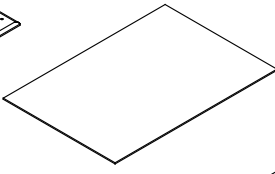
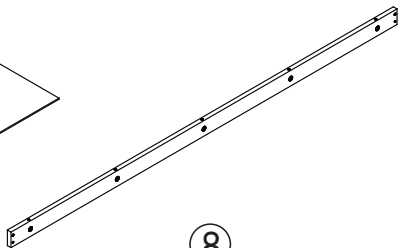
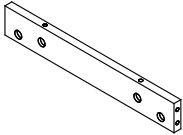
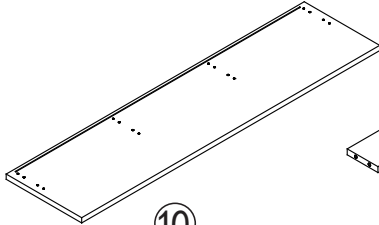
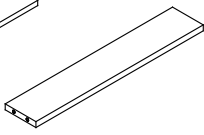
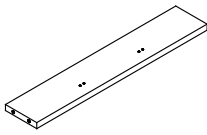
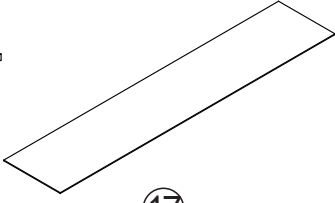
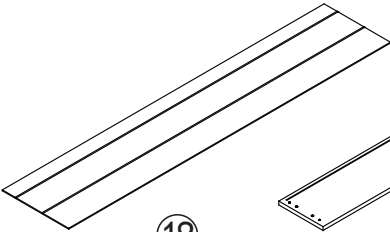
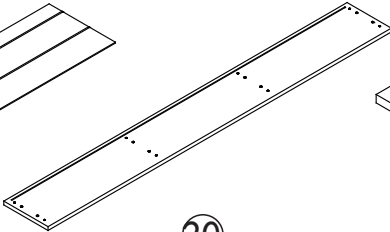
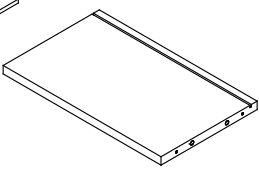
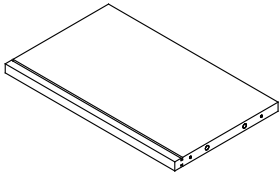


Assembly Instructions



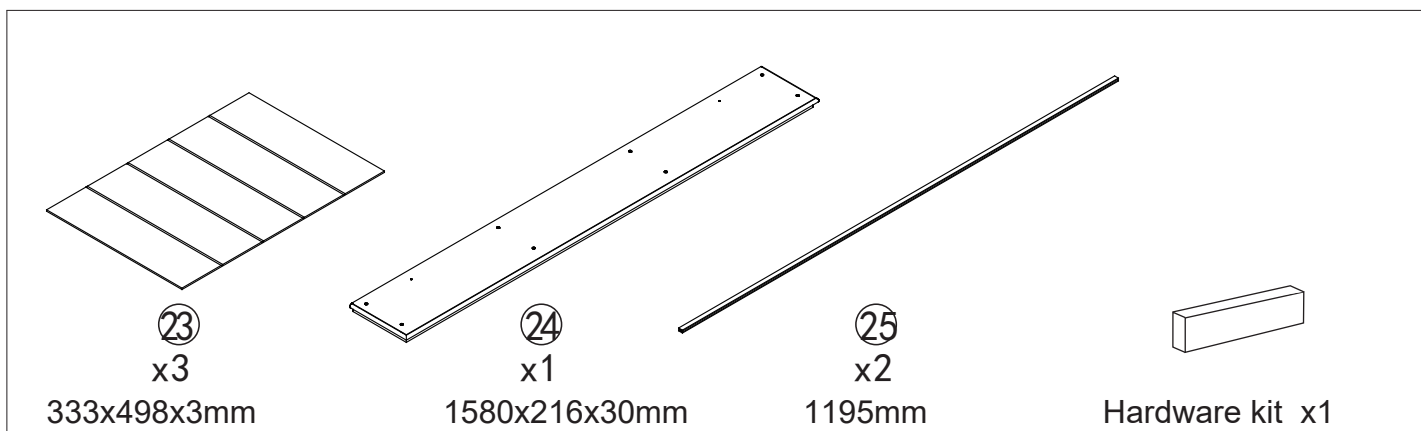
PART LIST

This product comes in 2 box.

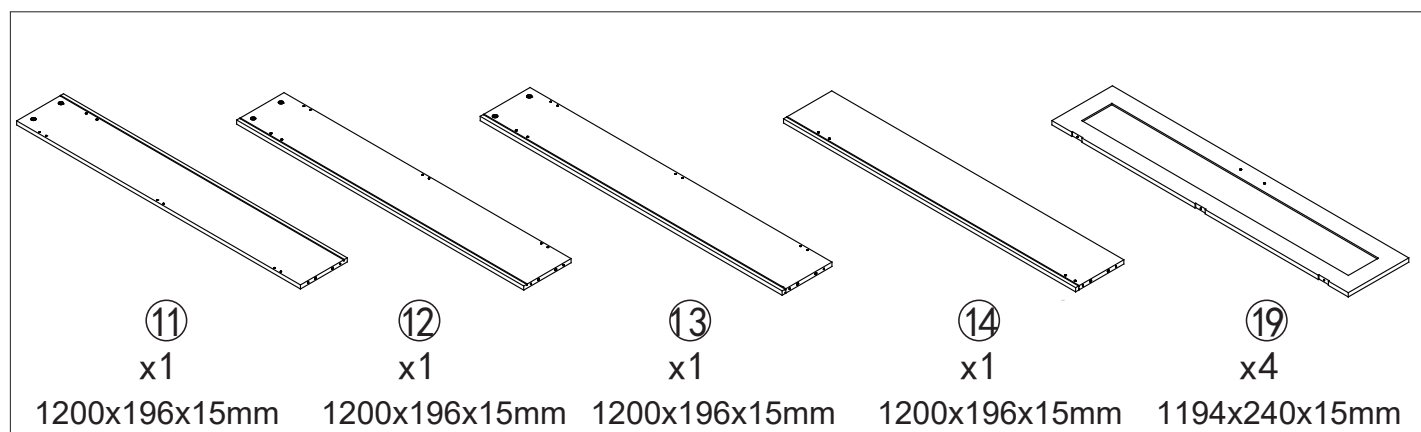
				
① x1 336x385x15mm	② x1 336x385x15mm	③ x1 336x385x15mm	④ x1 336x385x15mm	
				
⑤ x1 490x368x15mm	⑥ x1 1580x400x15mm	⑦ x3 344x398x3mm	⑧ x2 1579x55x15mm	
				
⑨ x2 369x55x15mm	⑩ x1 1580x400x24mm	⑮ x1 490x90x15mm	⑯ x3 490x90x15mm	⑰ x4 1208x249x3mm
				
⑱ x2 1208x249x3mm	⑳ x1 1552x201x15mm	㉑ x2 325x196x15mm	㉒ x2 325x196x15mm	

PART LIST

This product comes in 2 box.

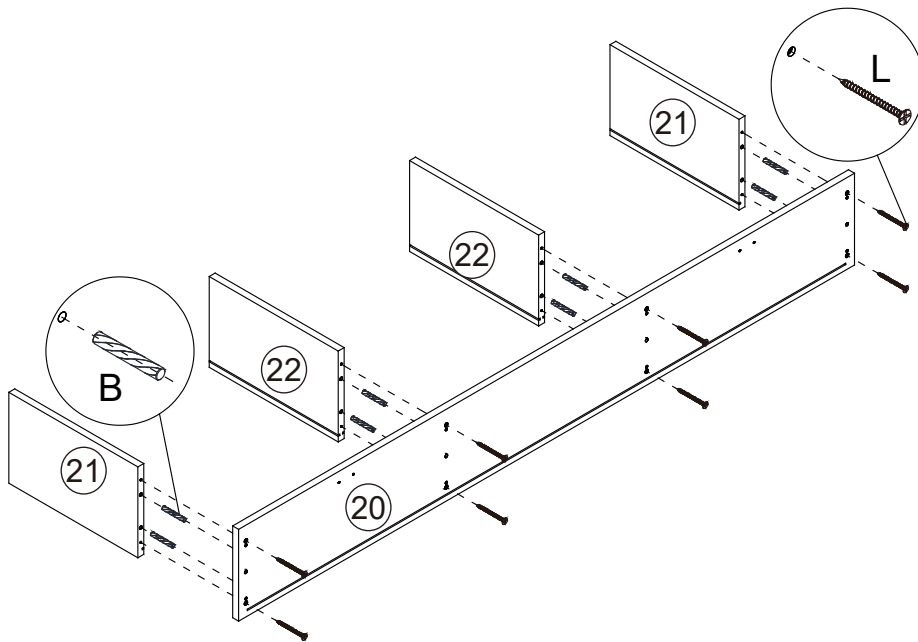
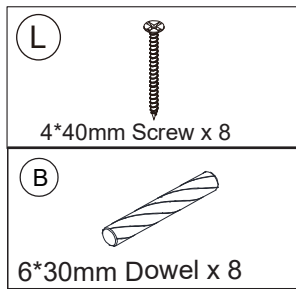


This product comes in 2 box.

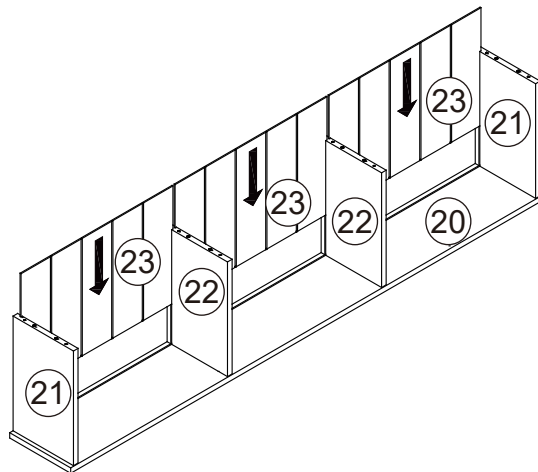


Assembly Instructions

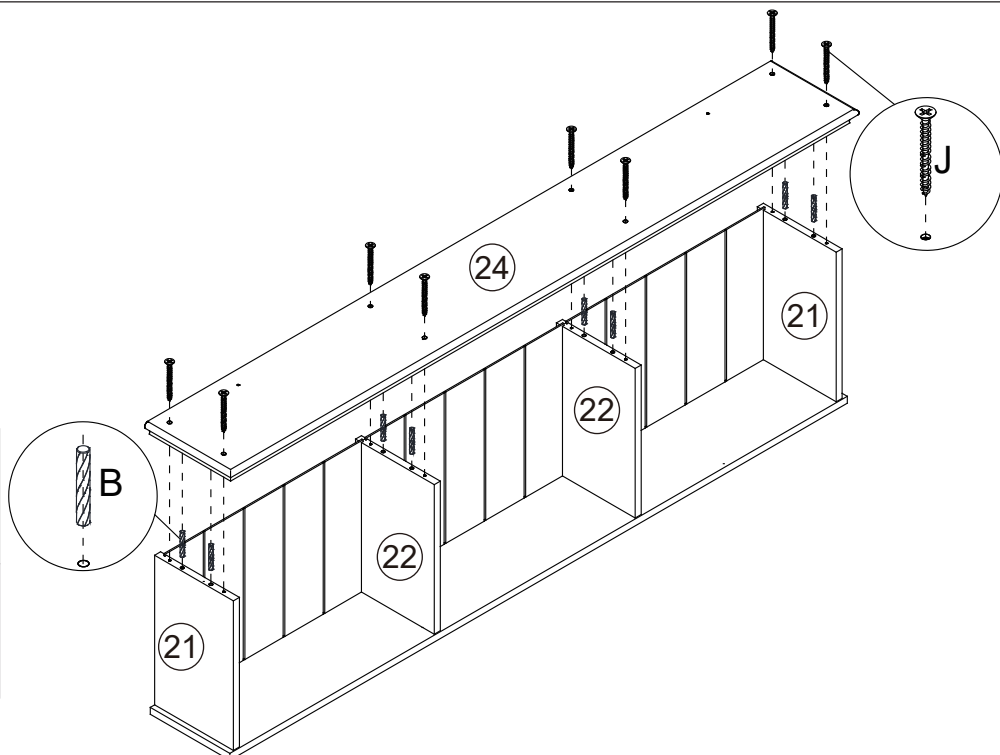
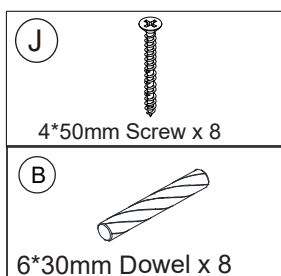
Step 1



Step 2



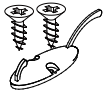
Step 3



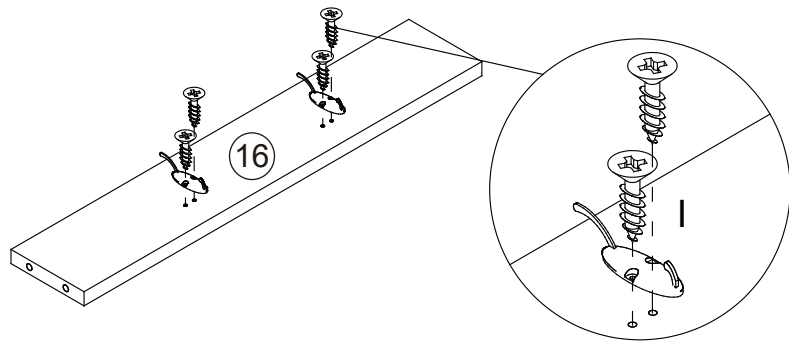
Assembly Instructions

Step 4

I



3*16mm Hook x 6set



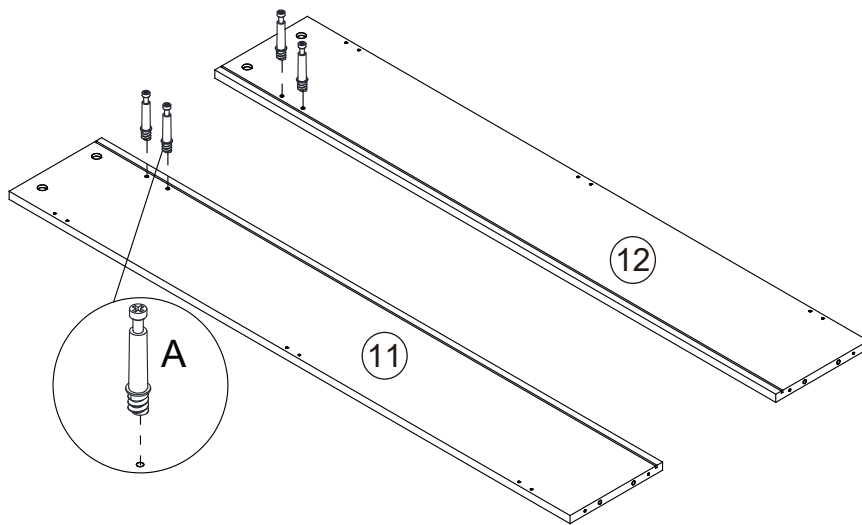
x3

Step 5

A



Cam Bolt x 4

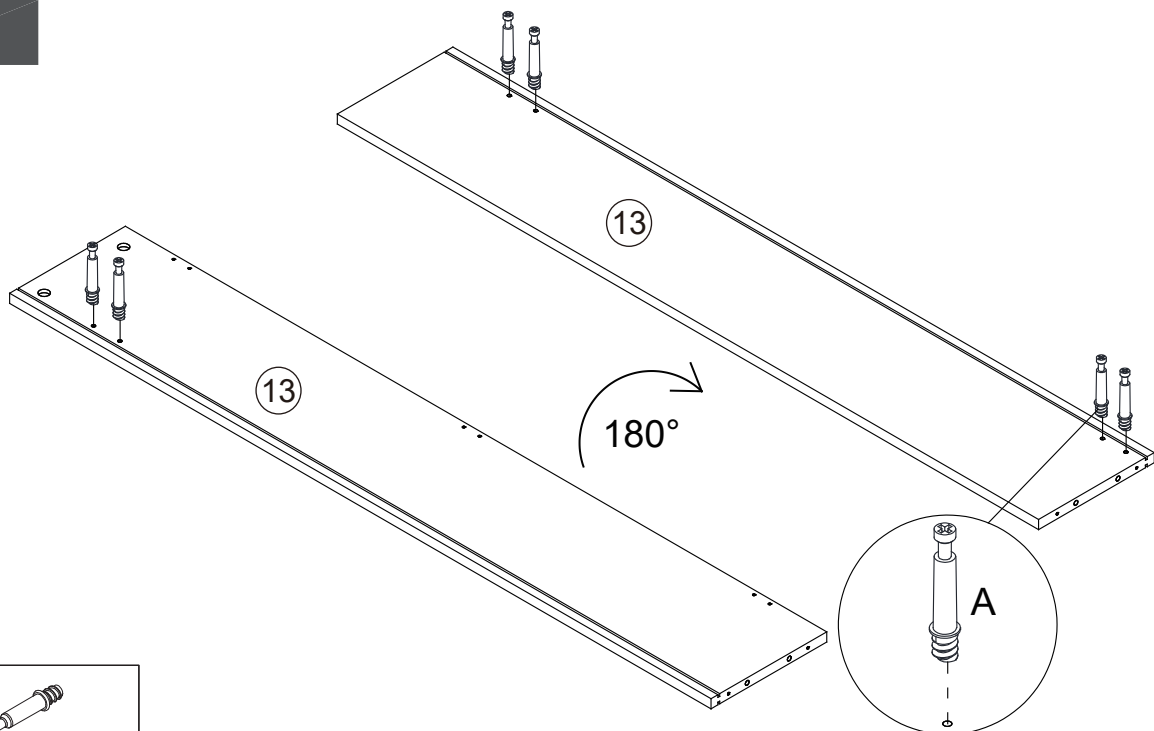


Step 6

A

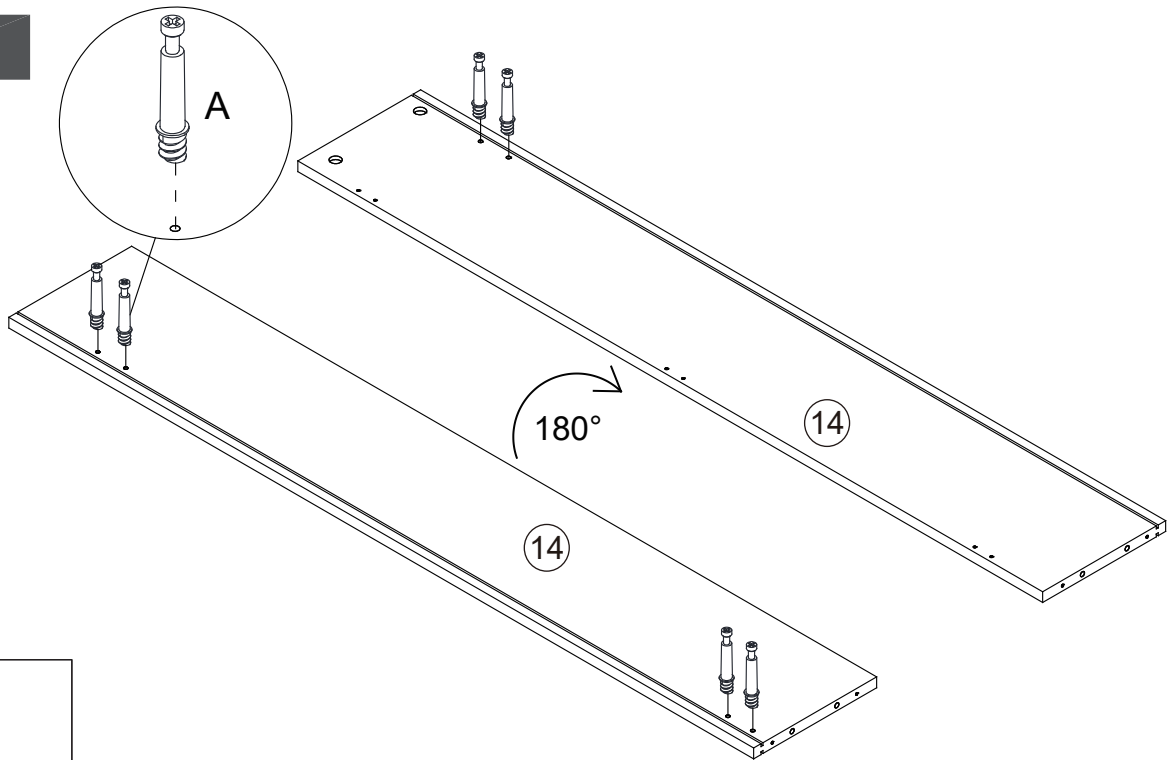


Cam Bolt x 6

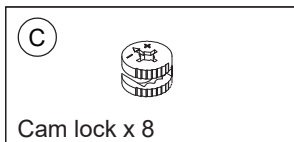
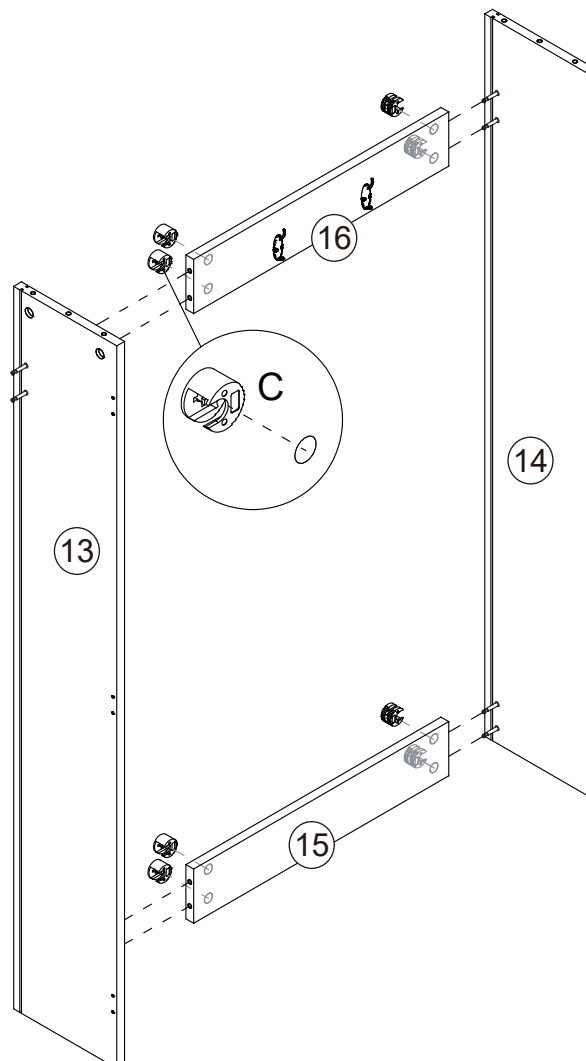


Assembly Instructions

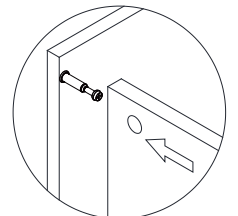
Step 7



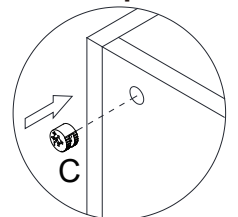
Step 8



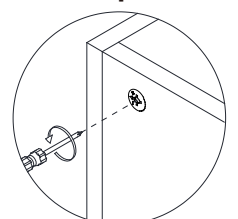
step1



step2

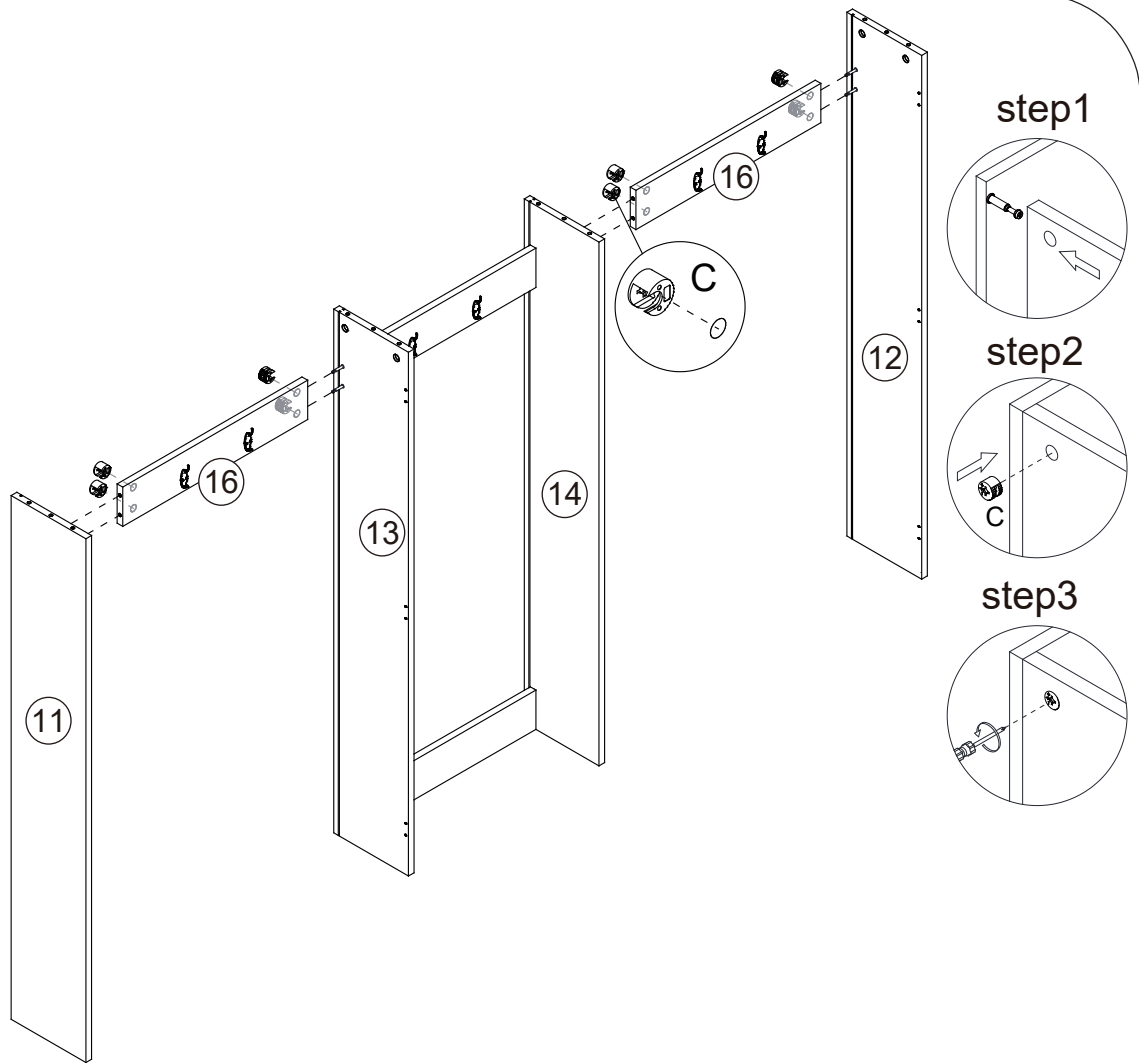


step3

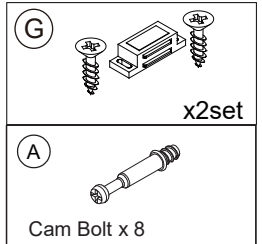
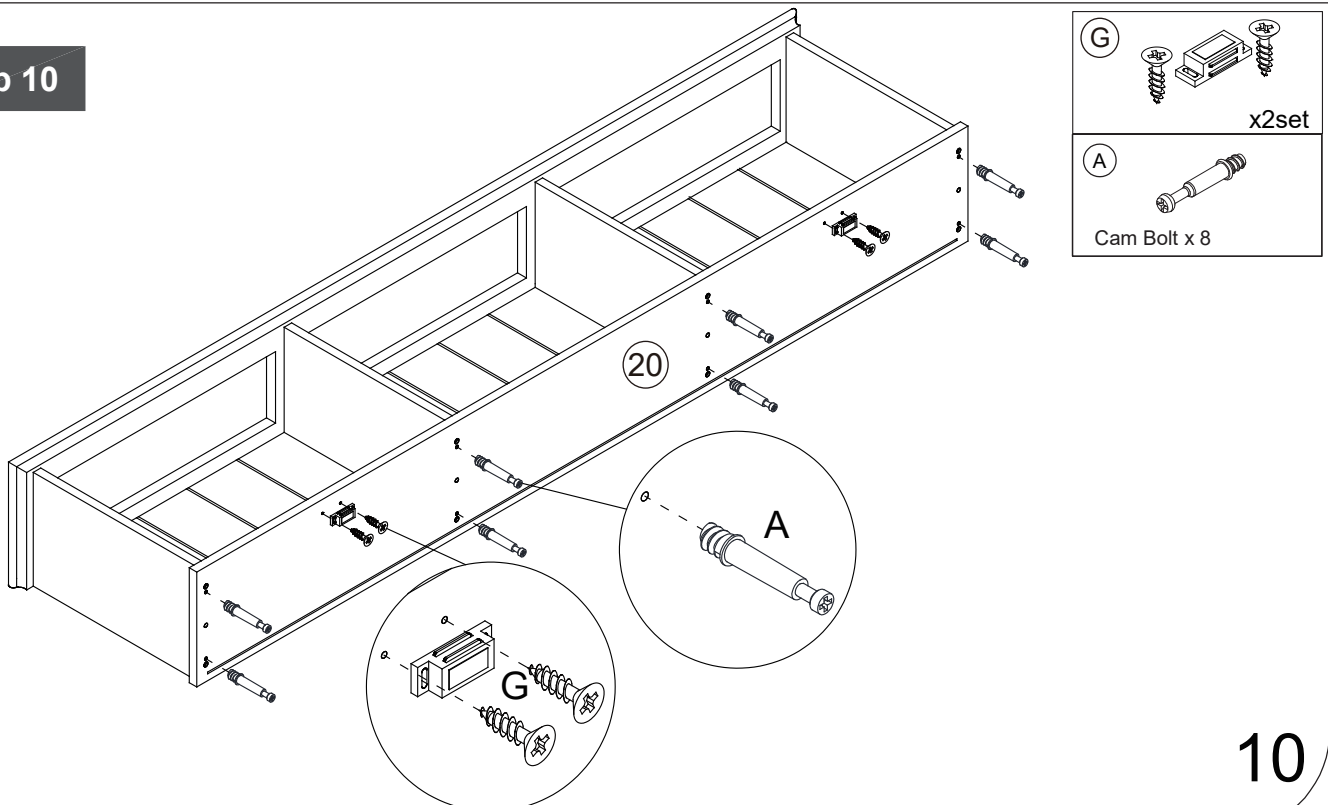


Assembly Instructions

Step 9

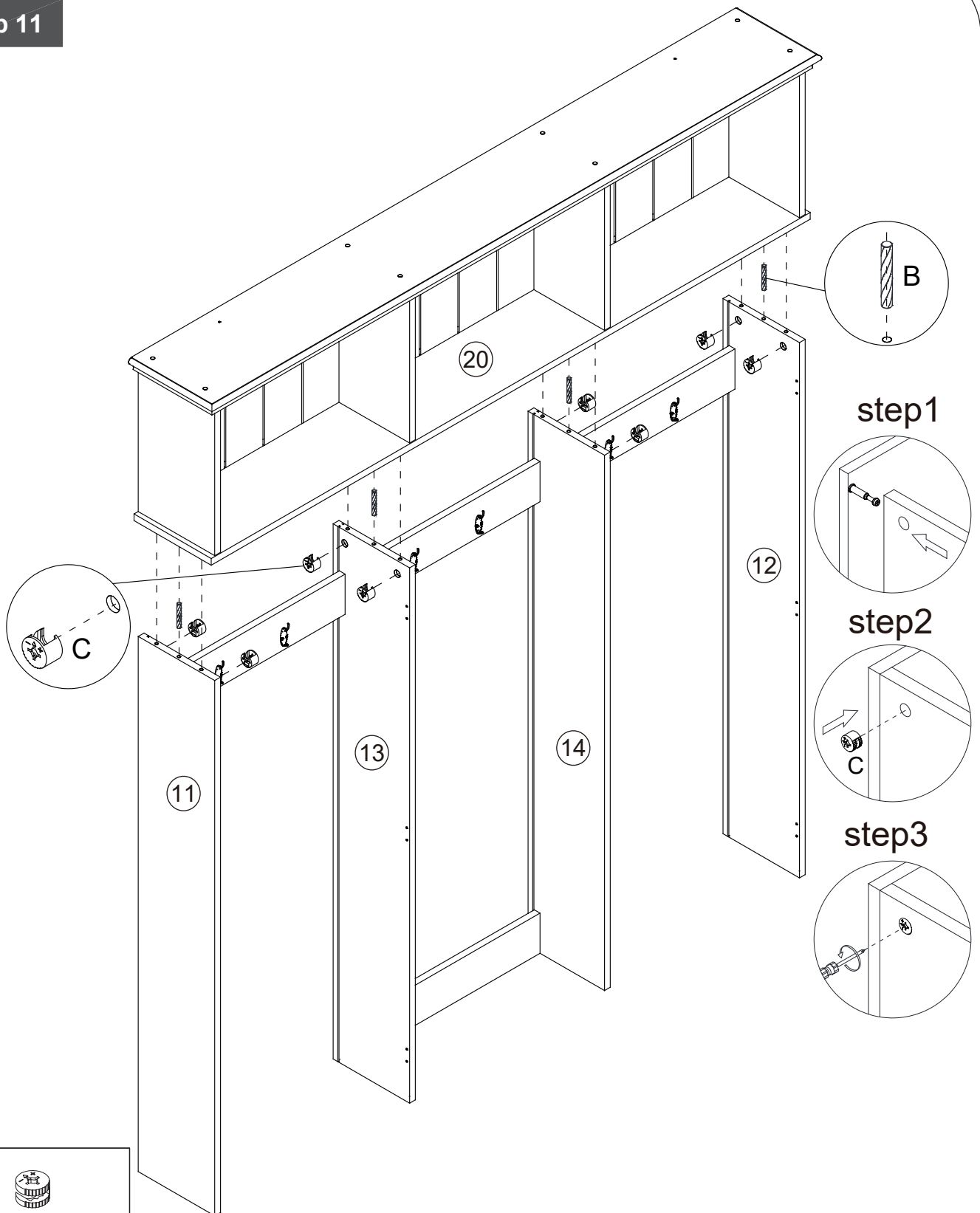


Step 10

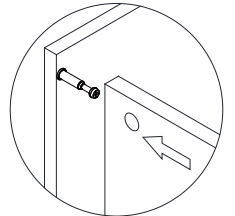


Assembly Instructions

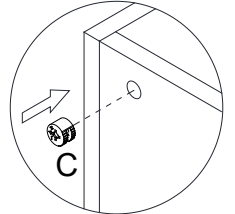
Step 11



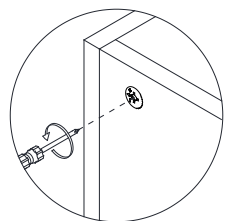
step1





step2



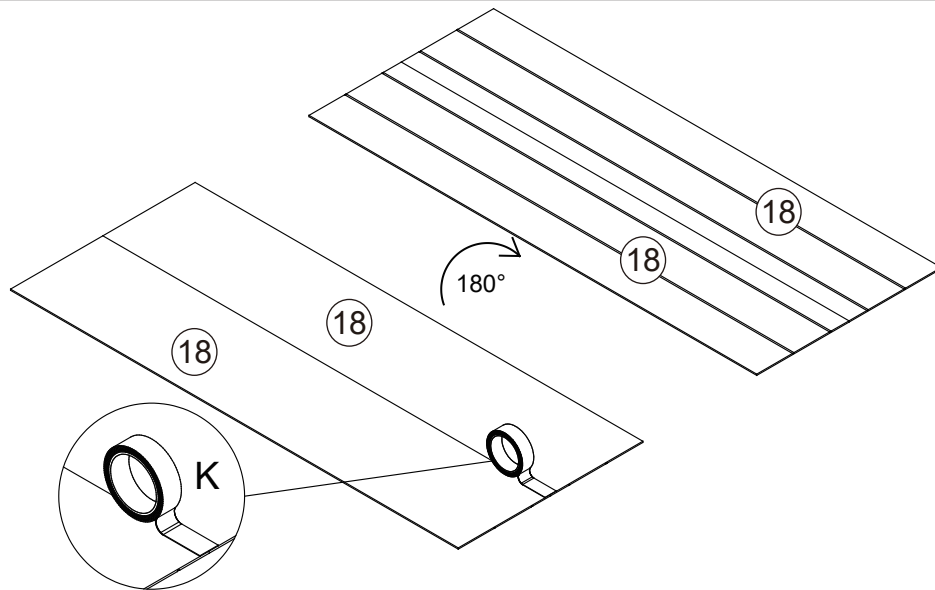
step3



C	
Cam lock x 8	
B	
6*30mm Dowel x 4	

Assembly Instructions

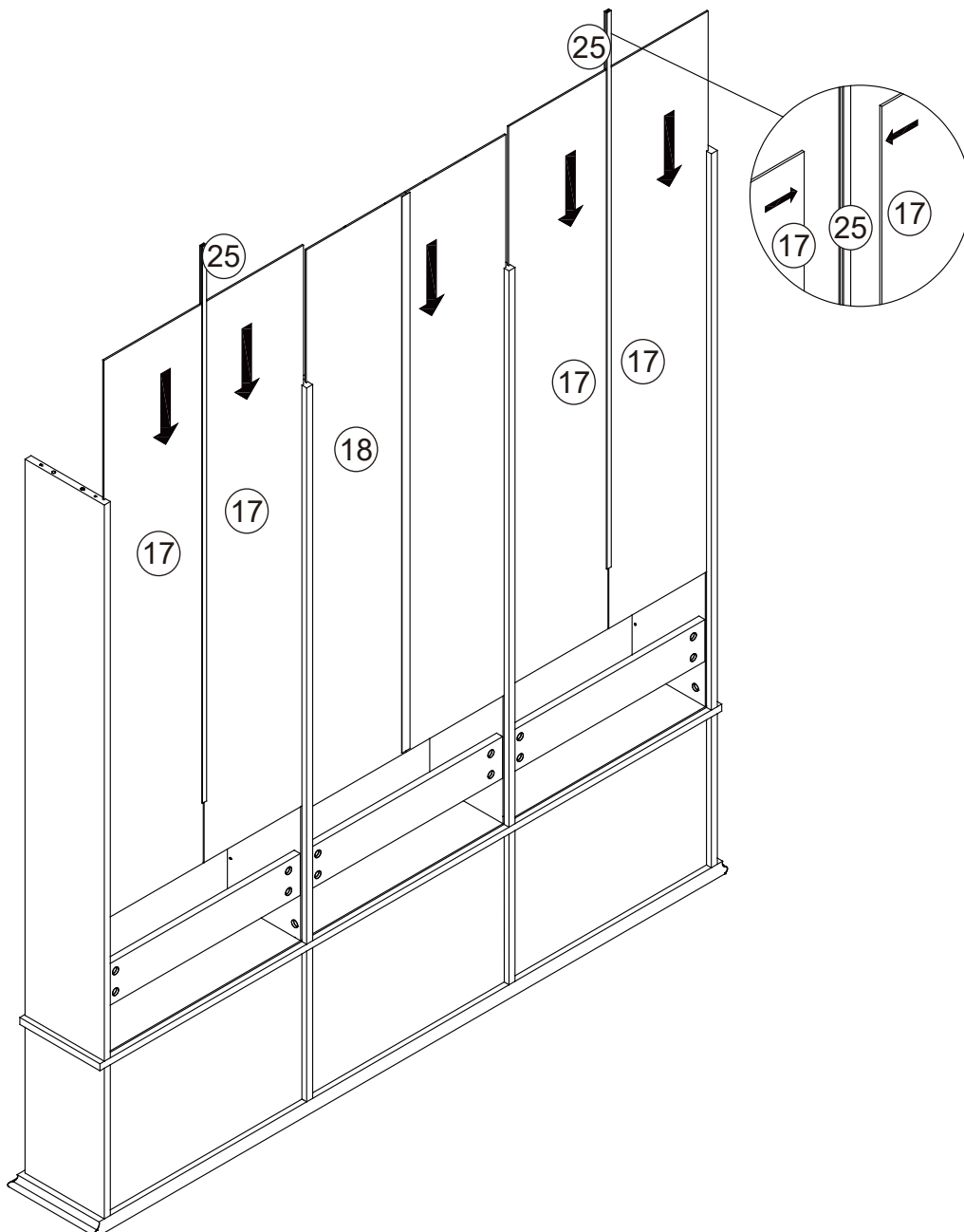
Step 12



(K)

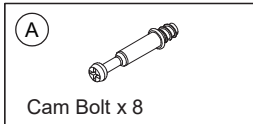
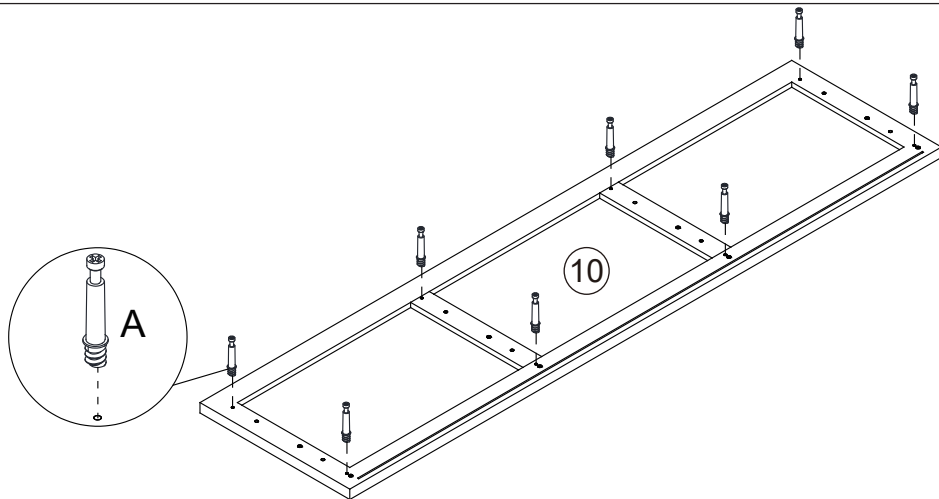
adhesive tape x 1

Step 13

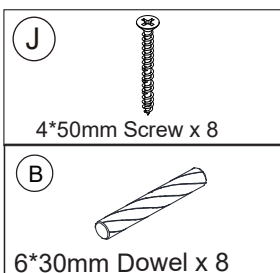
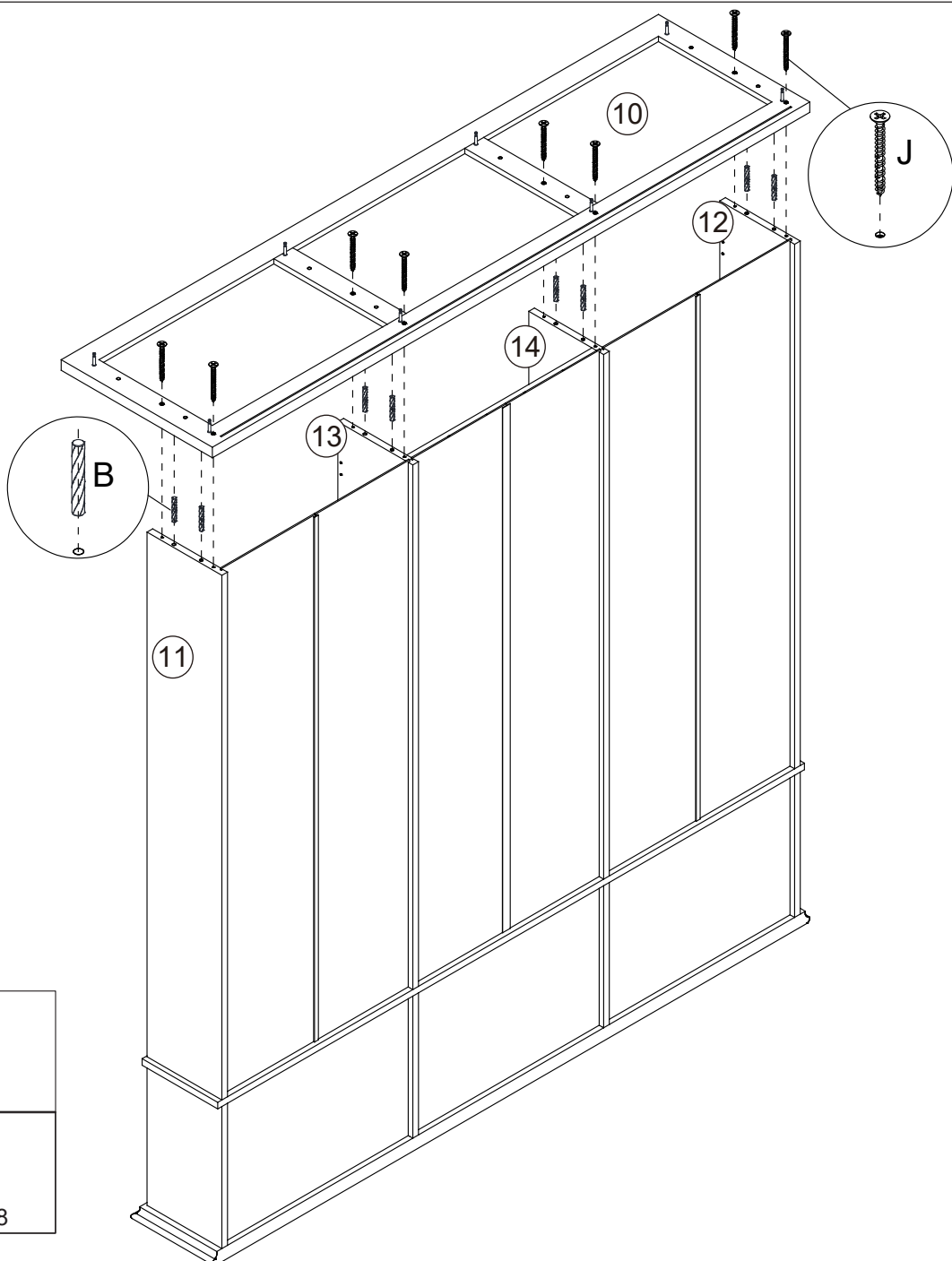


Assembly Instructions

Step 14

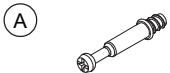
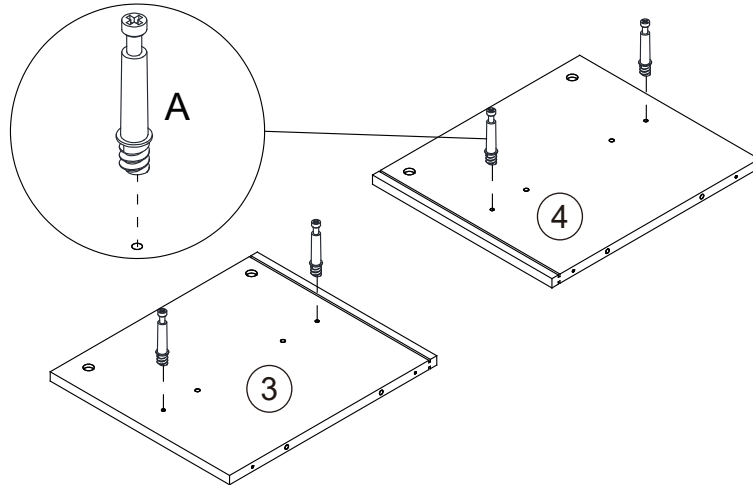


Step 15



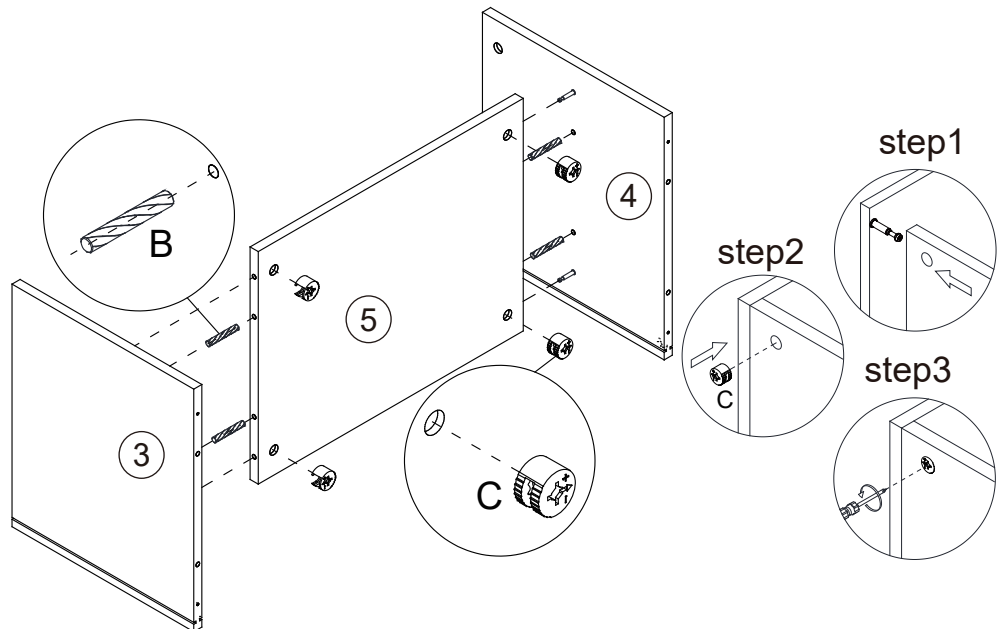
Assembly Instructions

Step 16



Cam Bolt x 4

Step 17

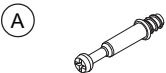
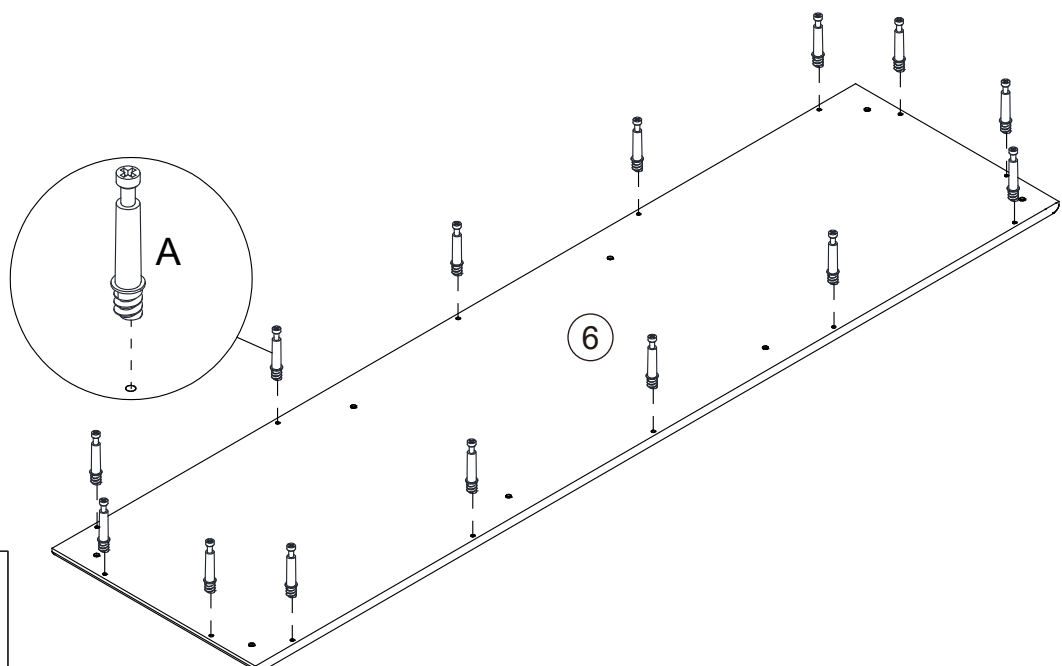


Cam lock x 4



6*30mm Dowel x 4

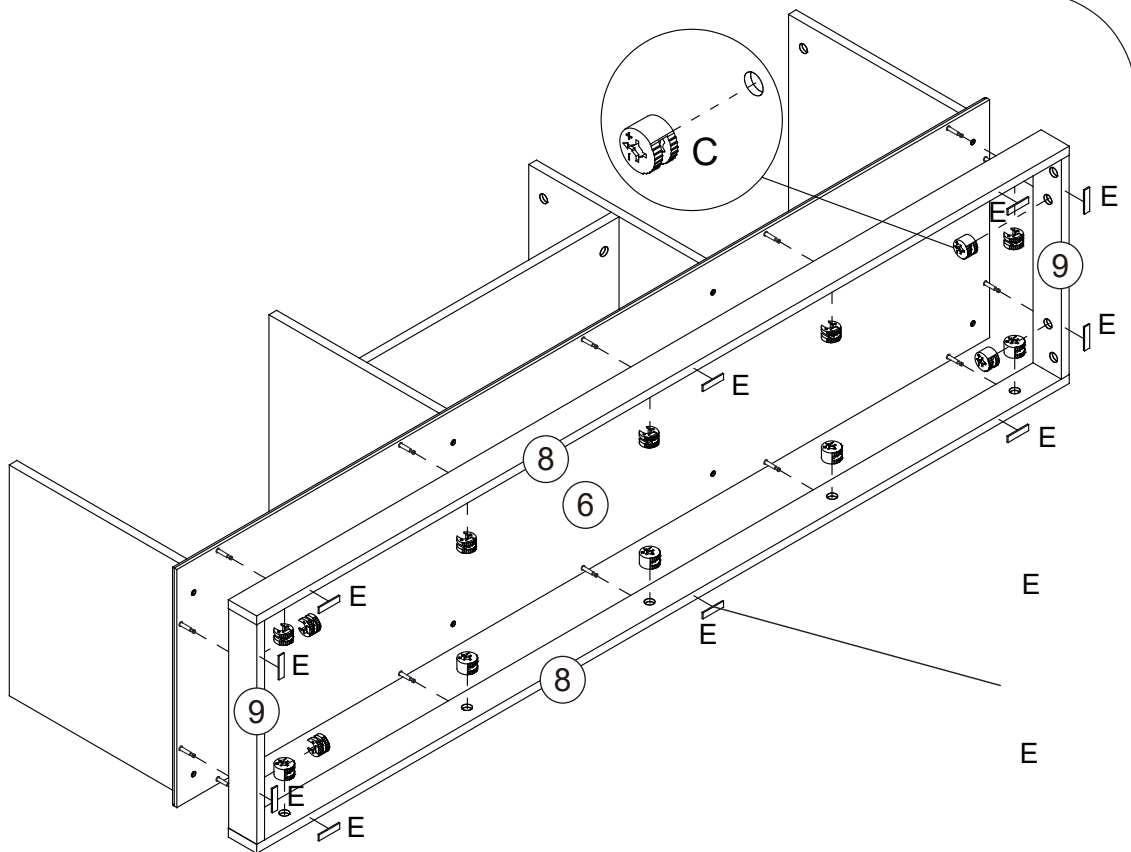
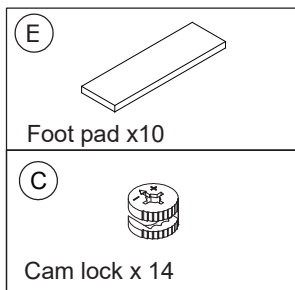
Step 18



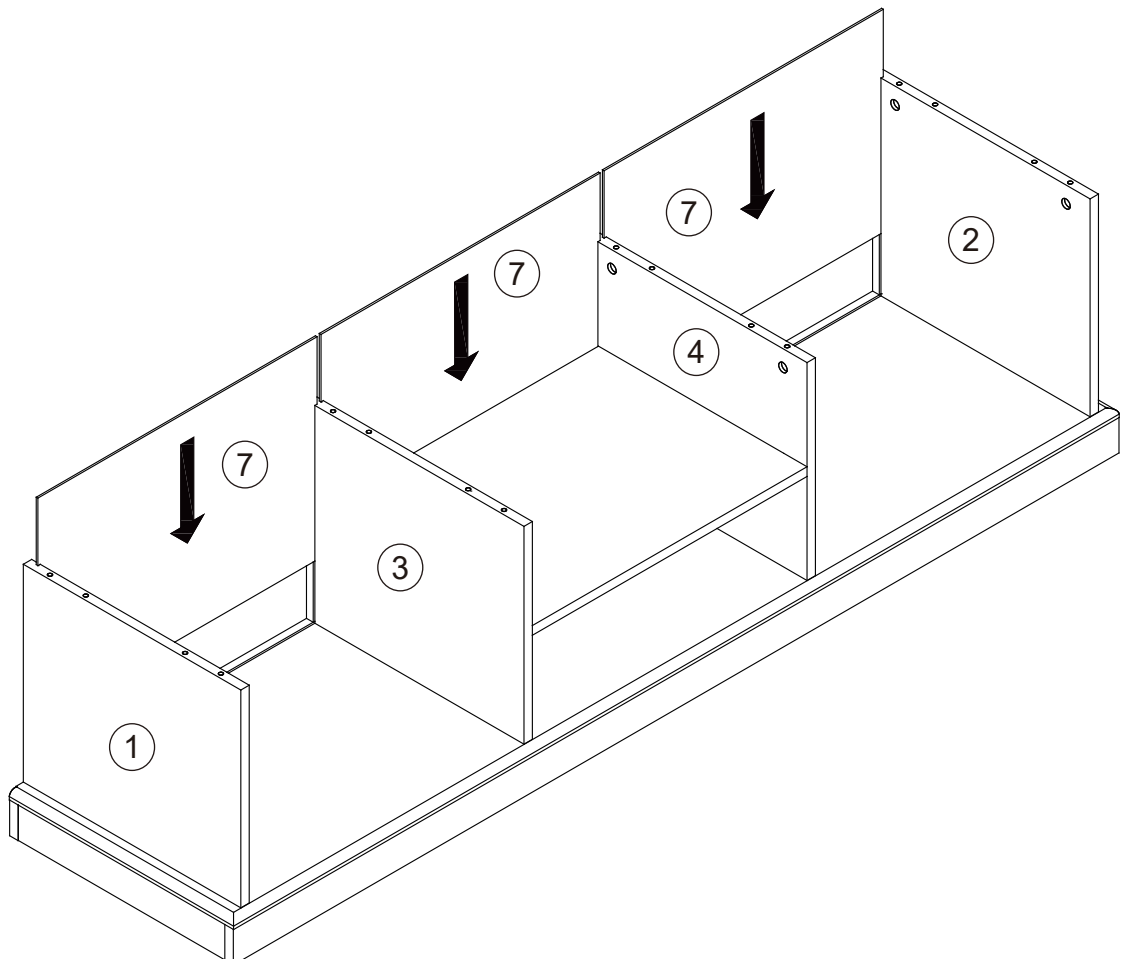
Cam Bolt x 14

Assembly Instructions

Step 21

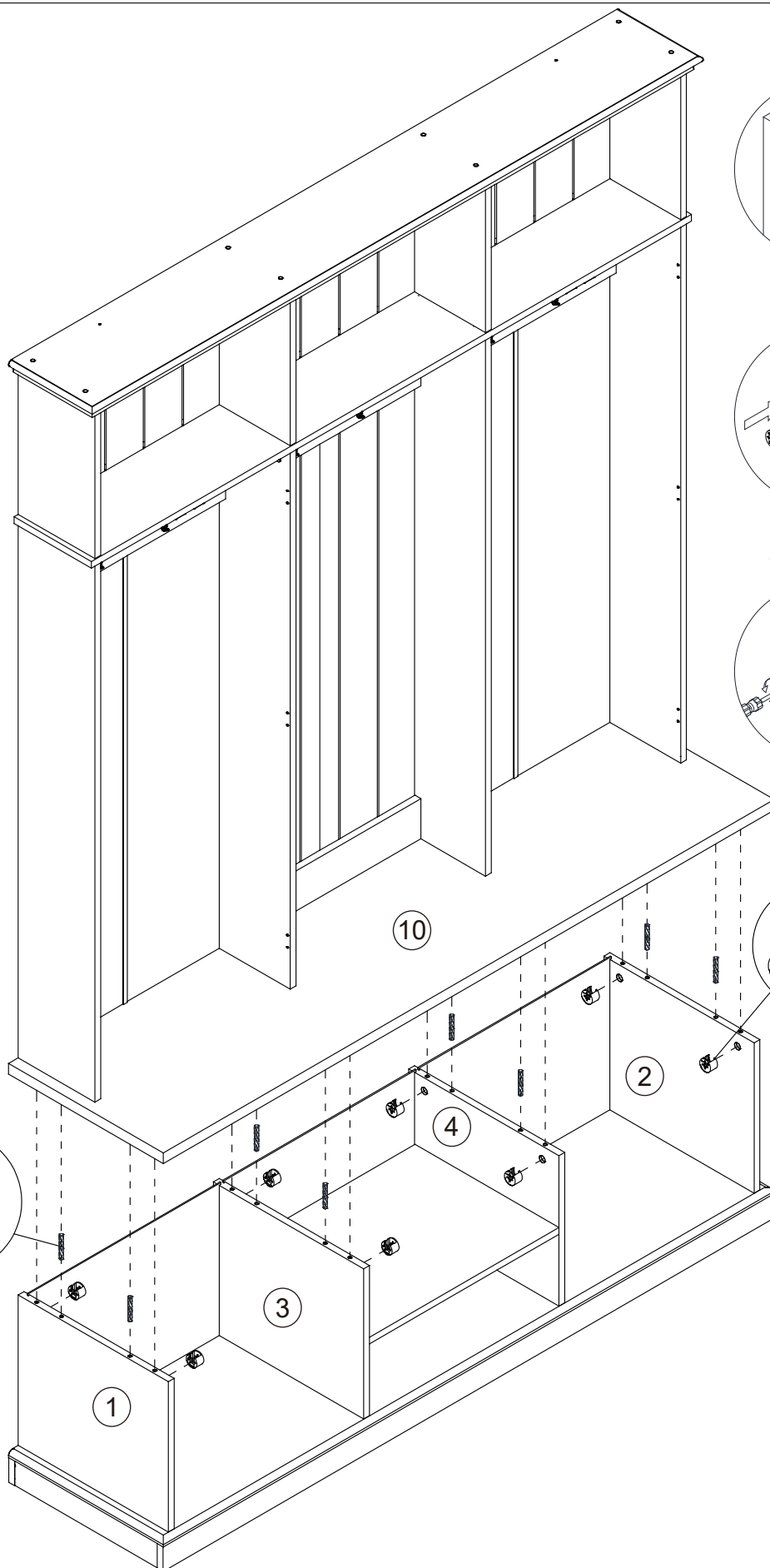


Step 22

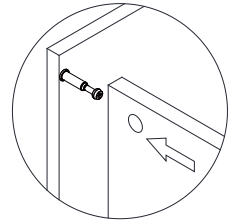


Assembly Instructions

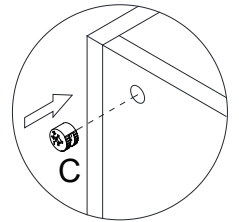
Step 23



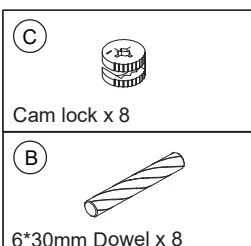
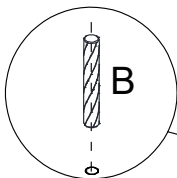
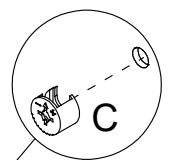
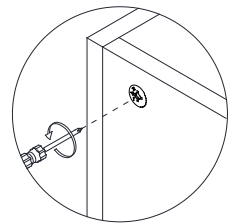
step1



step2

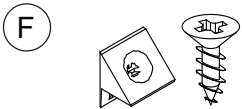
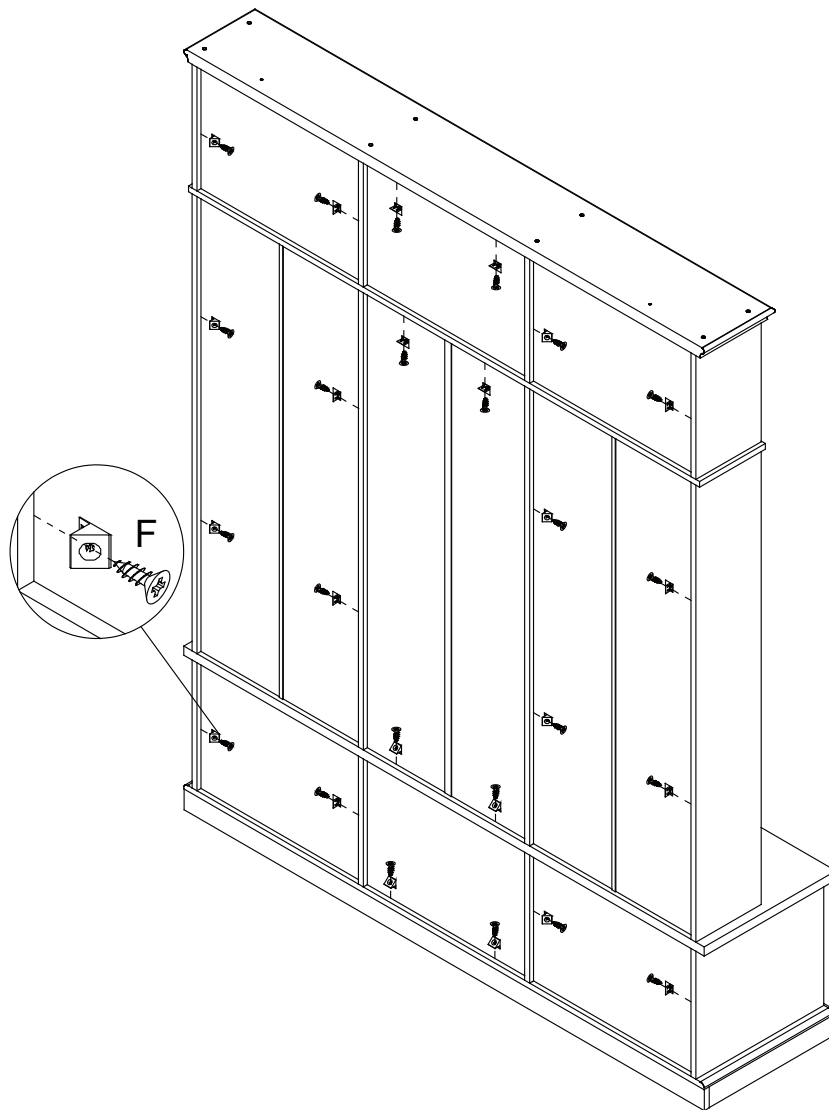


step3



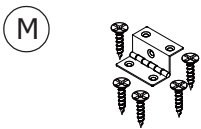
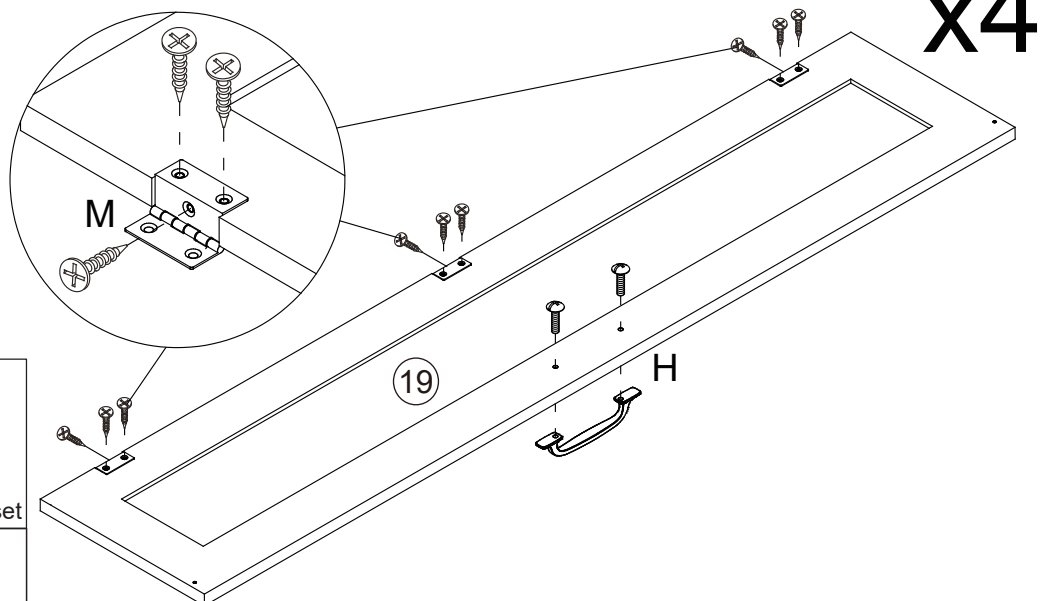
Assembly Instructions

Step 24

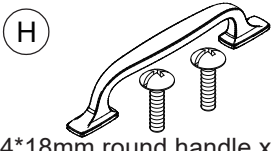


3.5*14mm Back panel clip x 24set

Step 25



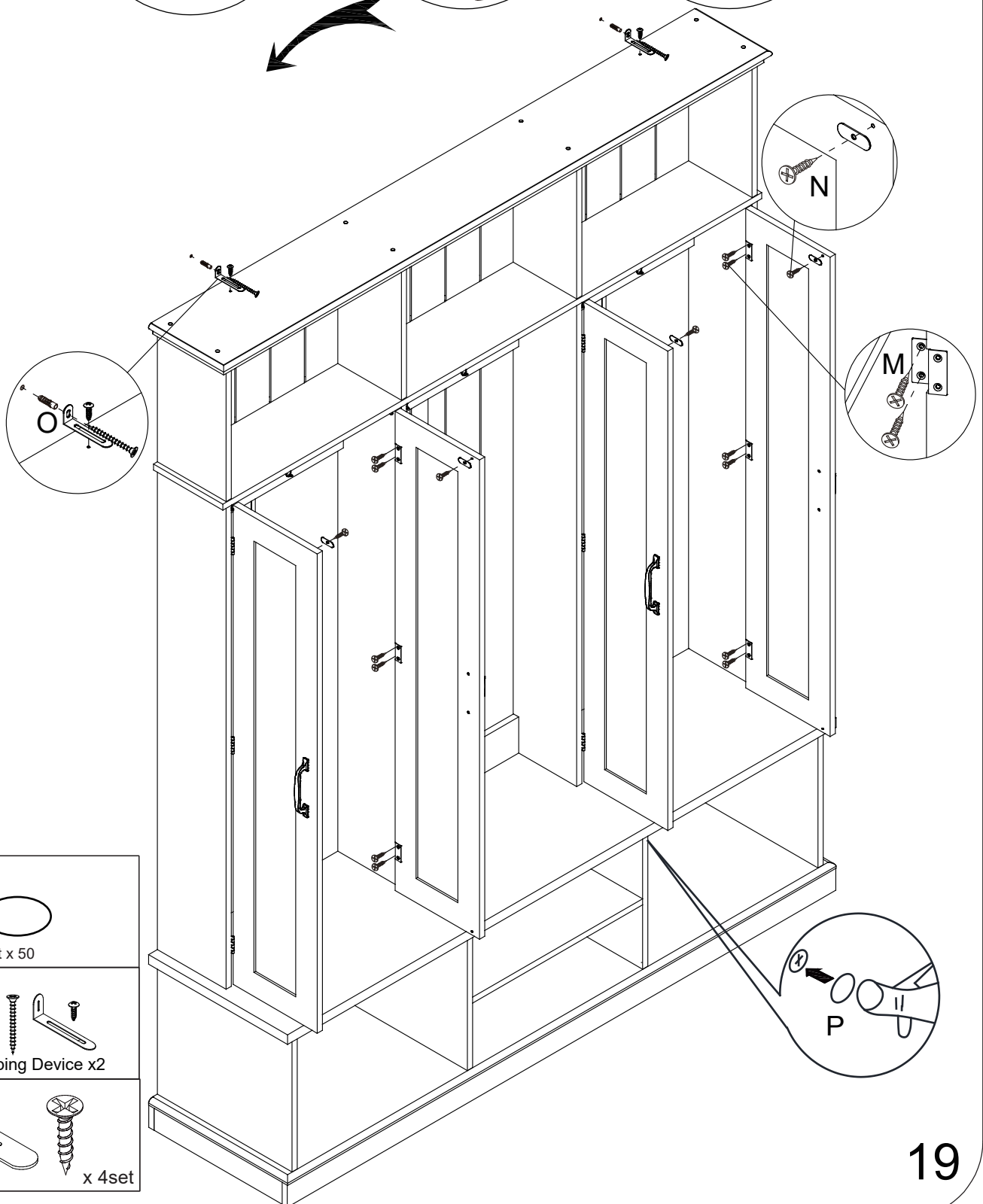
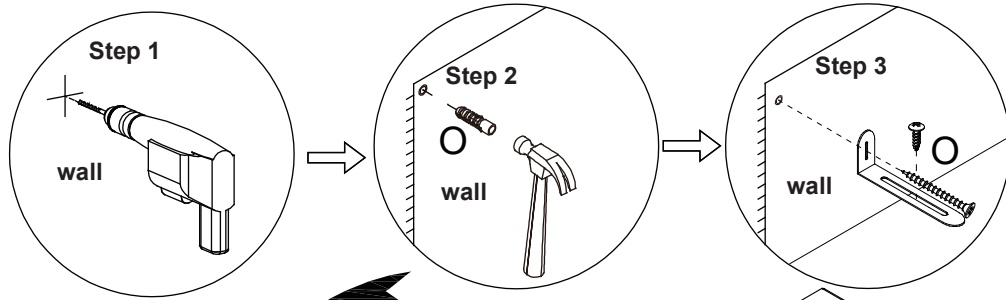
3*12mm three-fold hinge x12set



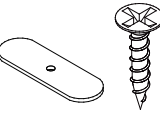


4*18mm round handle x 4set

Assembly Instructions

Step 26



P	 Perfect fit x 50
O	 Anti-tipping Device x2
N	 x 4set

Assembly Instructions

Finish

