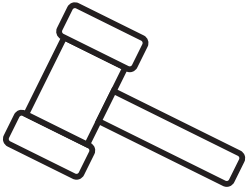


USER MANUAL

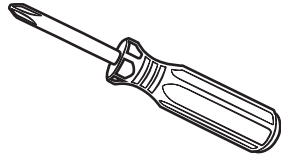
CABINET **B**

Model: JY-250807

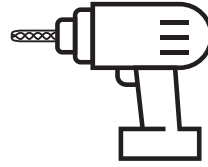
TOOLS REQUIRED



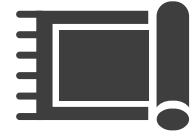
Phillips screwdriver
(Not included)



Hammer
(Not included)



Drill
(Not included)



Protective blanket
(Not included)



ATTENTION

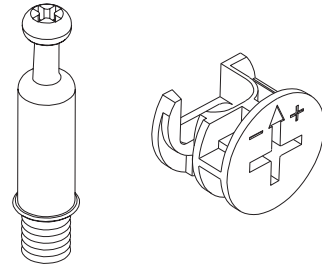
Keep children and pets away while assembling.



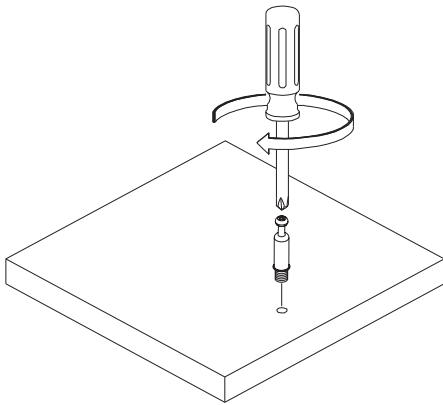
HOW TO USE CAM LOCKS

CAM LOCK FASTENING SYSTEM

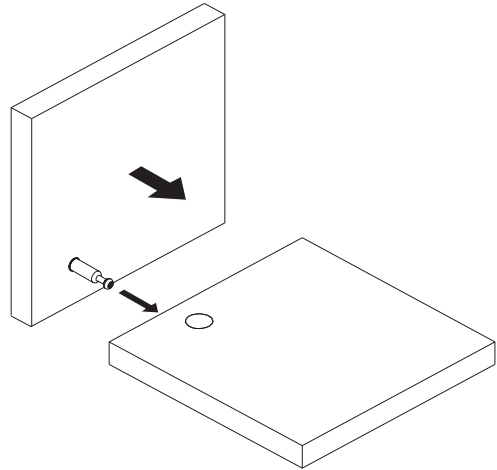
This Cam Lock Fastening System will be used throughout the assembly process.



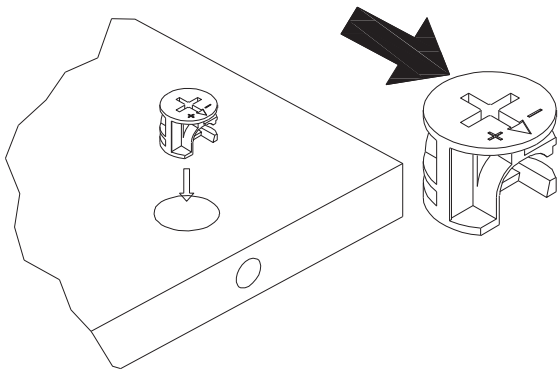
1



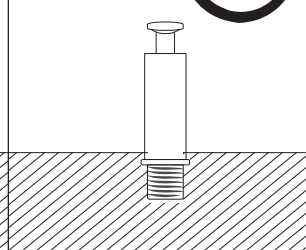
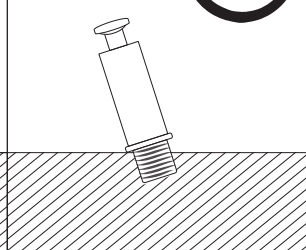
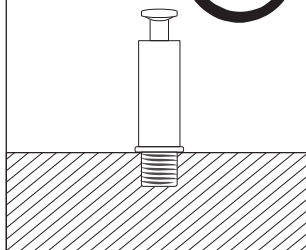
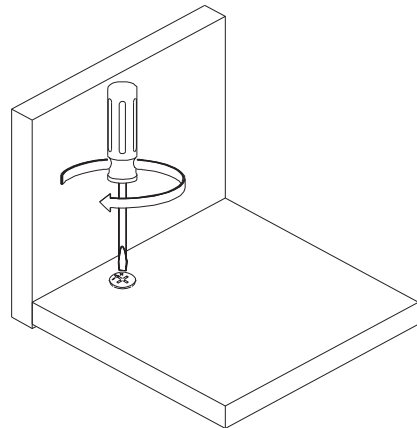
2



3



4



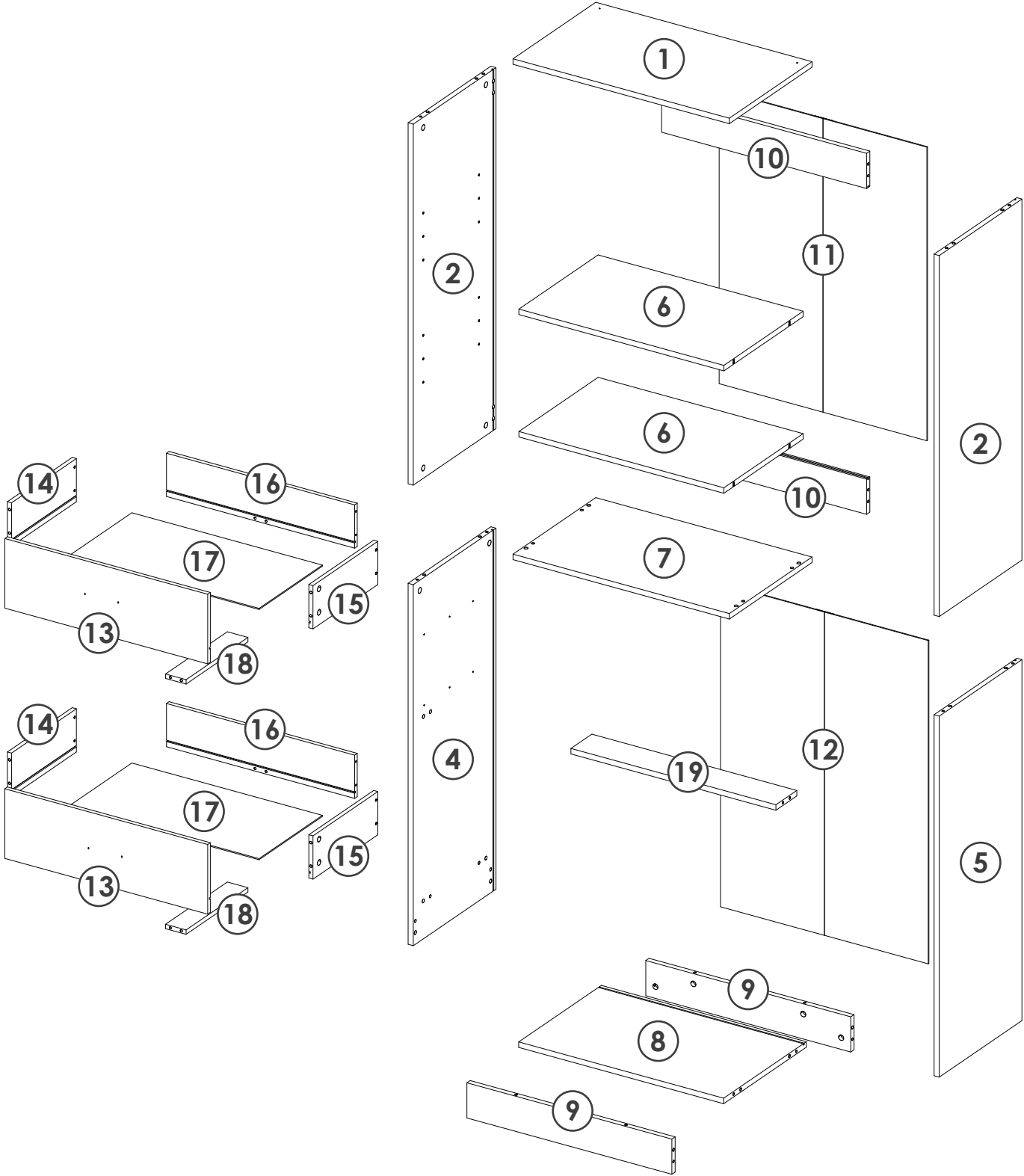
INTRODUCTION

Thank you very much for choosing our Wardrobe. Please read the instruction carefully before assembly and keep it for future reference. If you need further assistance on assembly, please contact our customer service through email.

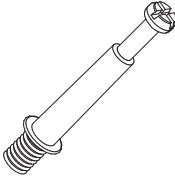

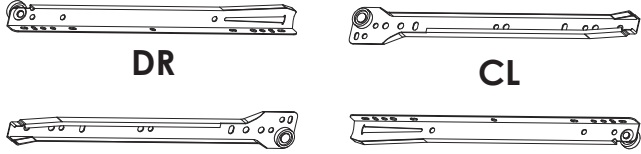
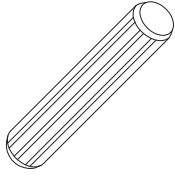

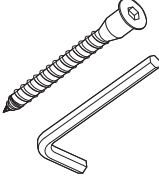
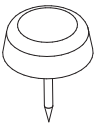
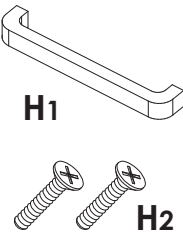
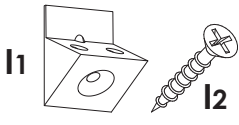

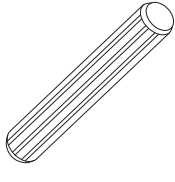

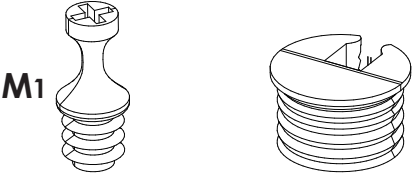

Tips:

1. When installing the product, use a soft underlay (such as carpet or cardboard) to avoid scratching or damaging the surface of the product.
2. Don't tighten screws completely at first, just in case parts were assembled wrong and need disassemble. Tighten screws at last when all parts are put together.
3. The structure of this product can not meet the requirements of the placement of heavy items and children climbing.

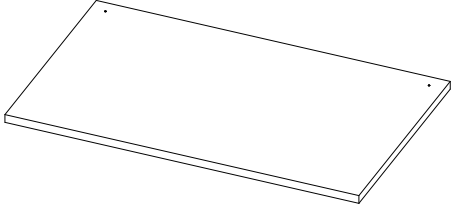
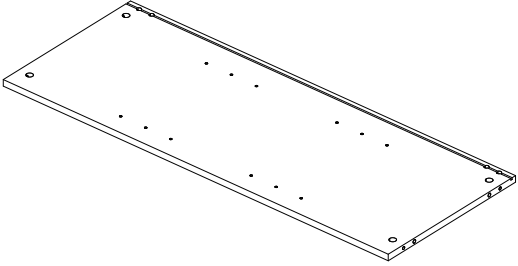
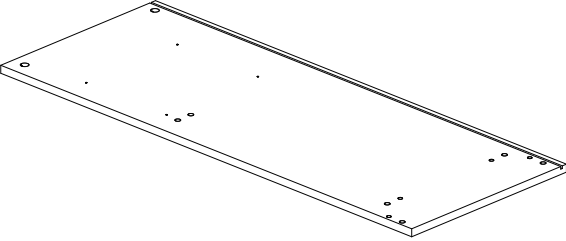
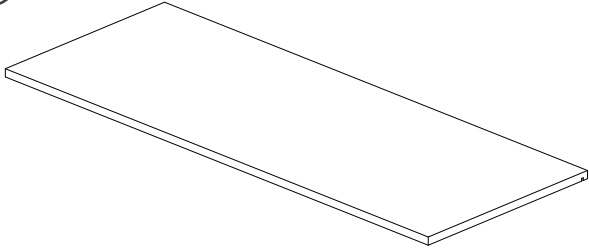
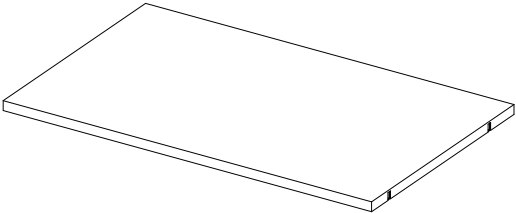
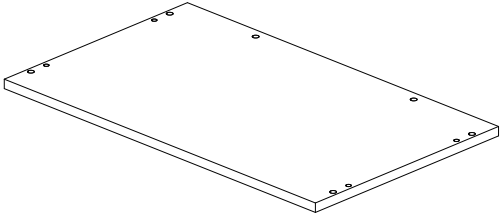
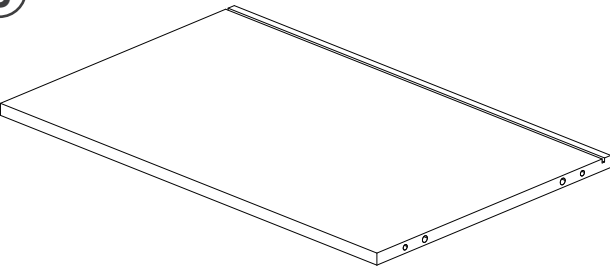
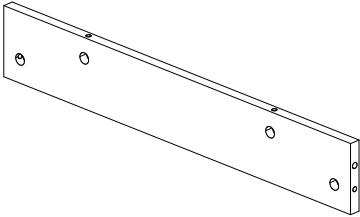
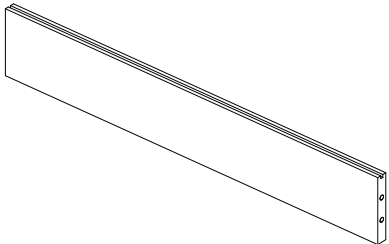
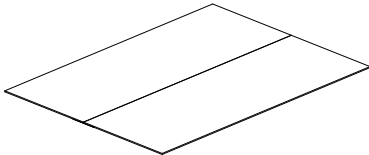
PLATE NUMBER

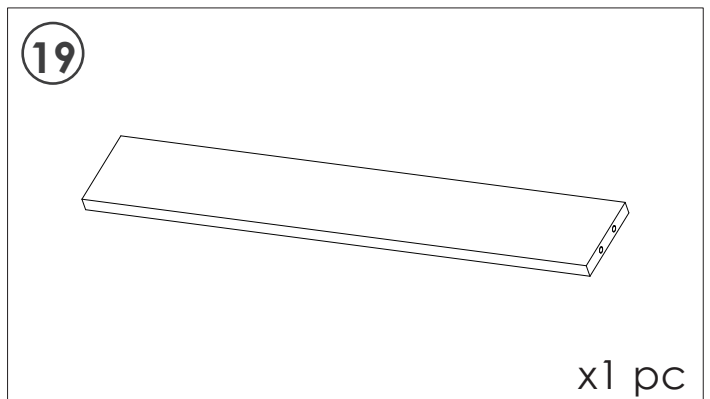
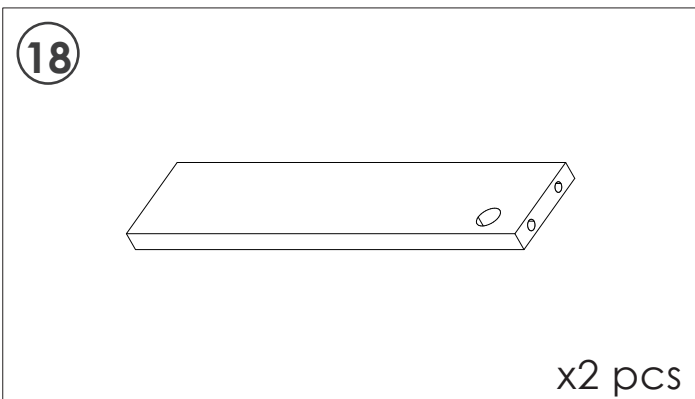
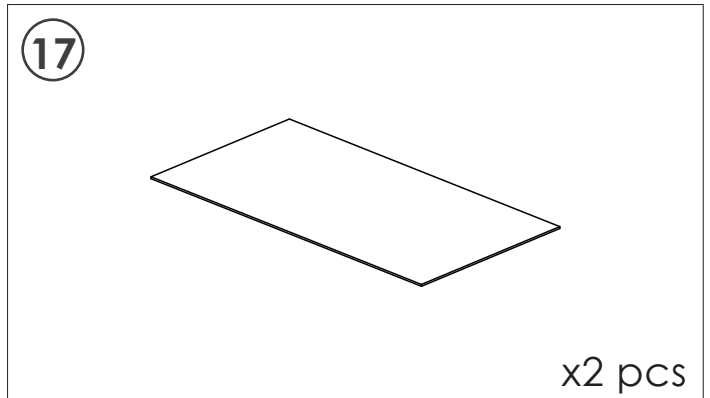
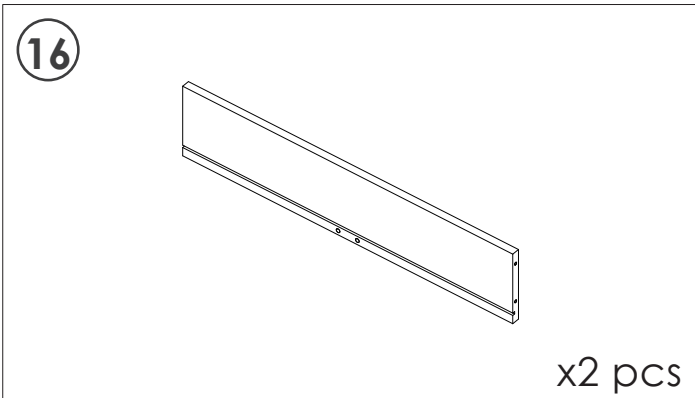
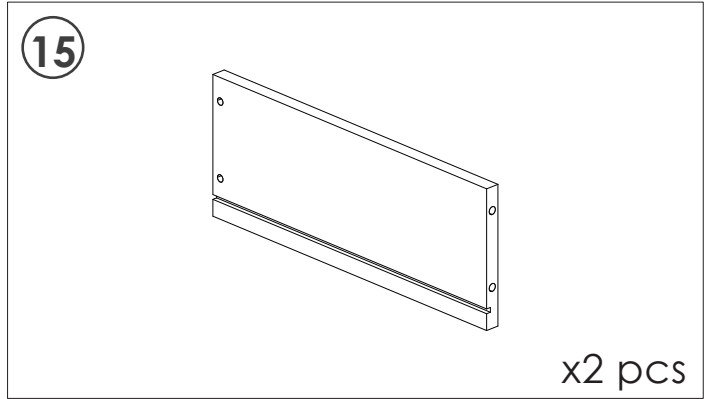
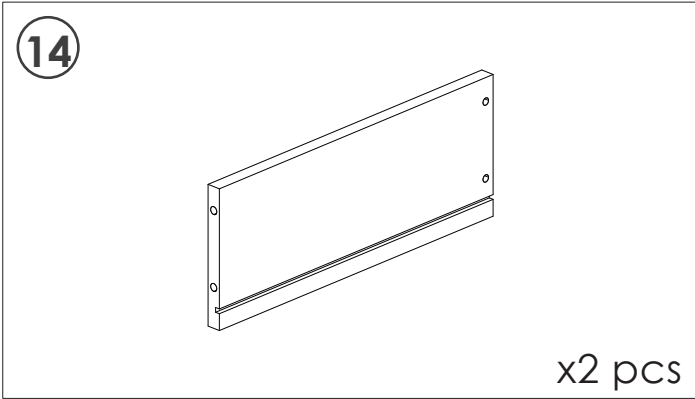
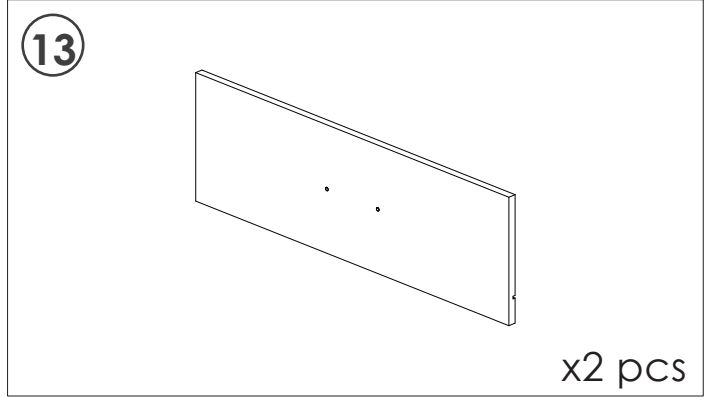
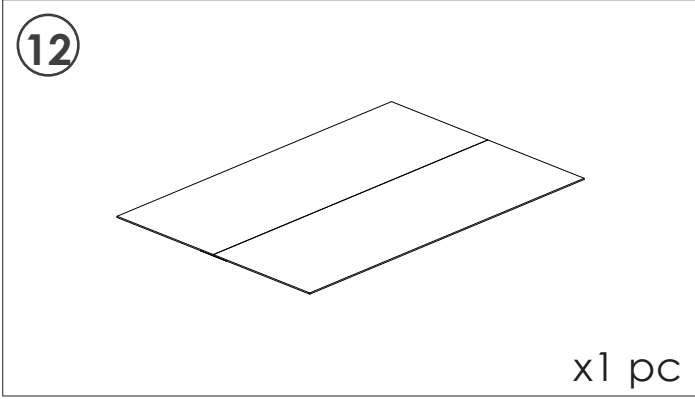


HARDWARES LIST

<p>A x46</p>  <p>M6*35mm</p>	<p>B x46</p>  <p>M15*10mm</p>	<p>C = DR+CR+CL+DL x2</p>  <p>12-inches</p>	
<p>D x20</p>  <p>M8*40mm</p>	<p>E x12</p>  <p>M3.5*14mm</p>	<p>F x12</p> 	<p>G x8</p> 
<p>H = H1+H2 x2</p> 	<p>I = I1+I2 x16</p> 	<p>J = J1+J2+J3+J4 x2</p> 	
<p>K x2</p>  <p>M6*40mm</p>	<p>L x24</p>  <p>21mm</p>	<p>M = M1+M2 x8</p>  <p>x16</p>	
<p>N x12</p>  <p>M3*12mm</p>			

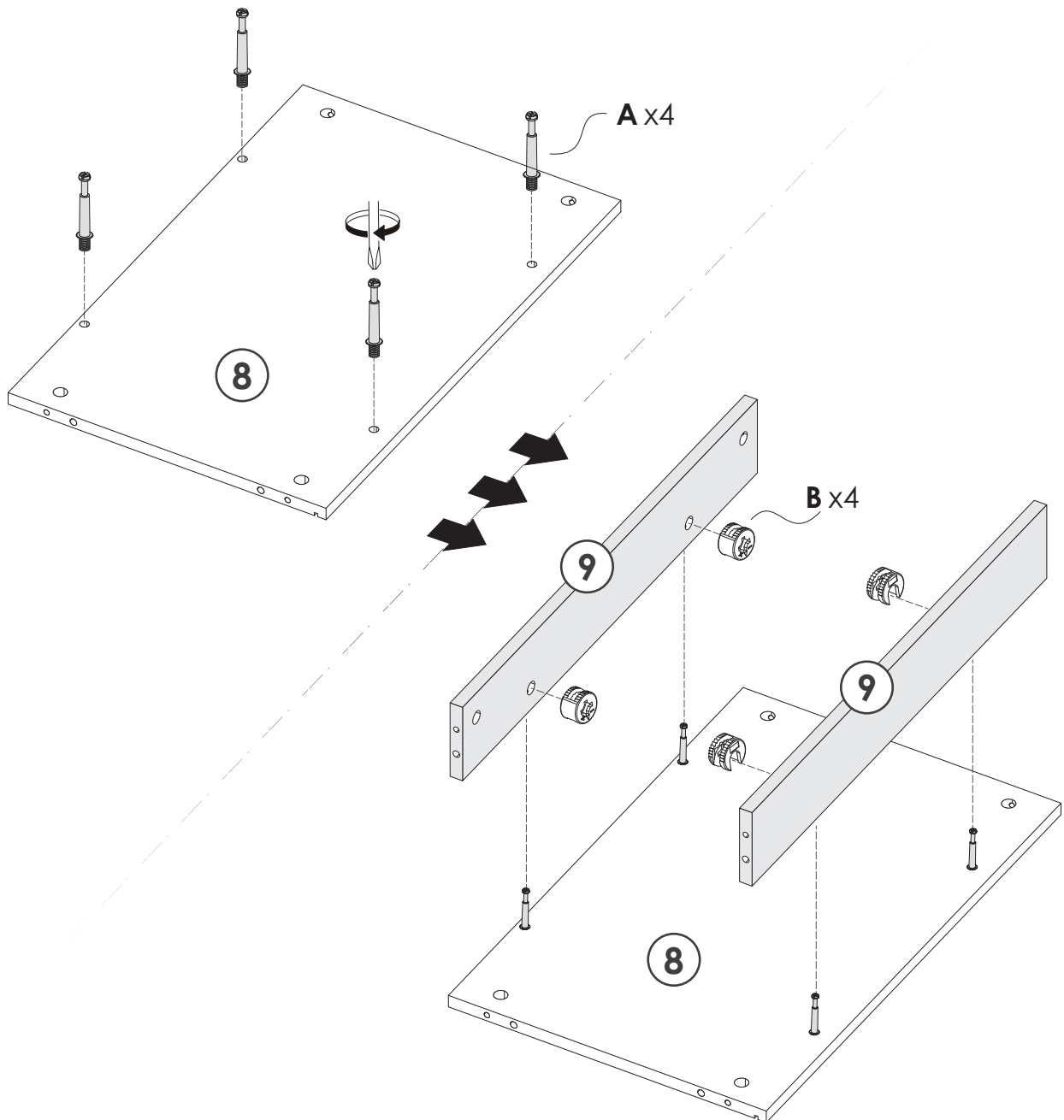
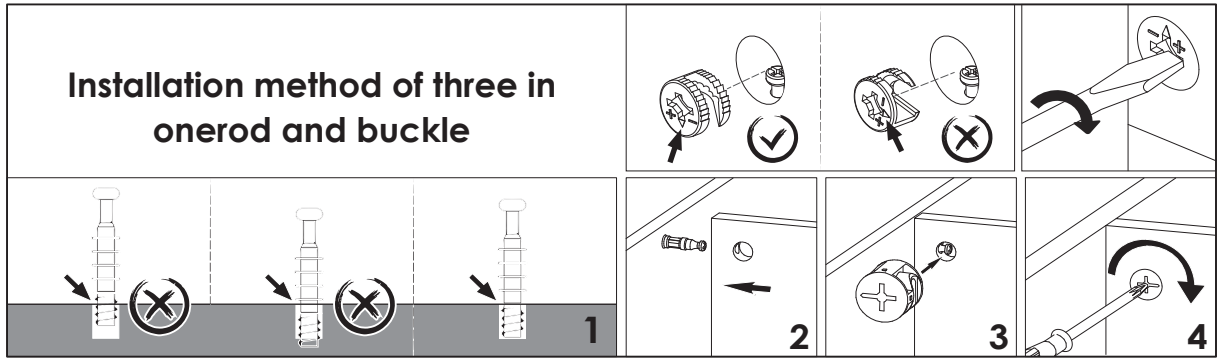
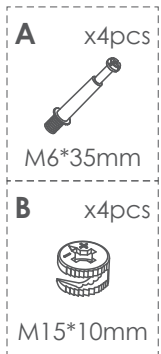
PARTS LIST

<p>①</p>  <p>x1 pc</p>	<p>②</p>  <p>x2 pcs</p>
<p>④</p>  <p>x1 pc</p>	<p>⑤</p>  <p>x1 pc</p>
<p>⑥</p>  <p>x2 pcs</p>	<p>⑦</p>  <p>x1 pc</p>
<p>⑧</p>  <p>x1 pc</p>	<p>⑨</p>  <p>x2 pcs</p>
<p>⑩</p>  <p>x2 pcs</p>	<p>⑪</p>  <p>x1 pc</p>



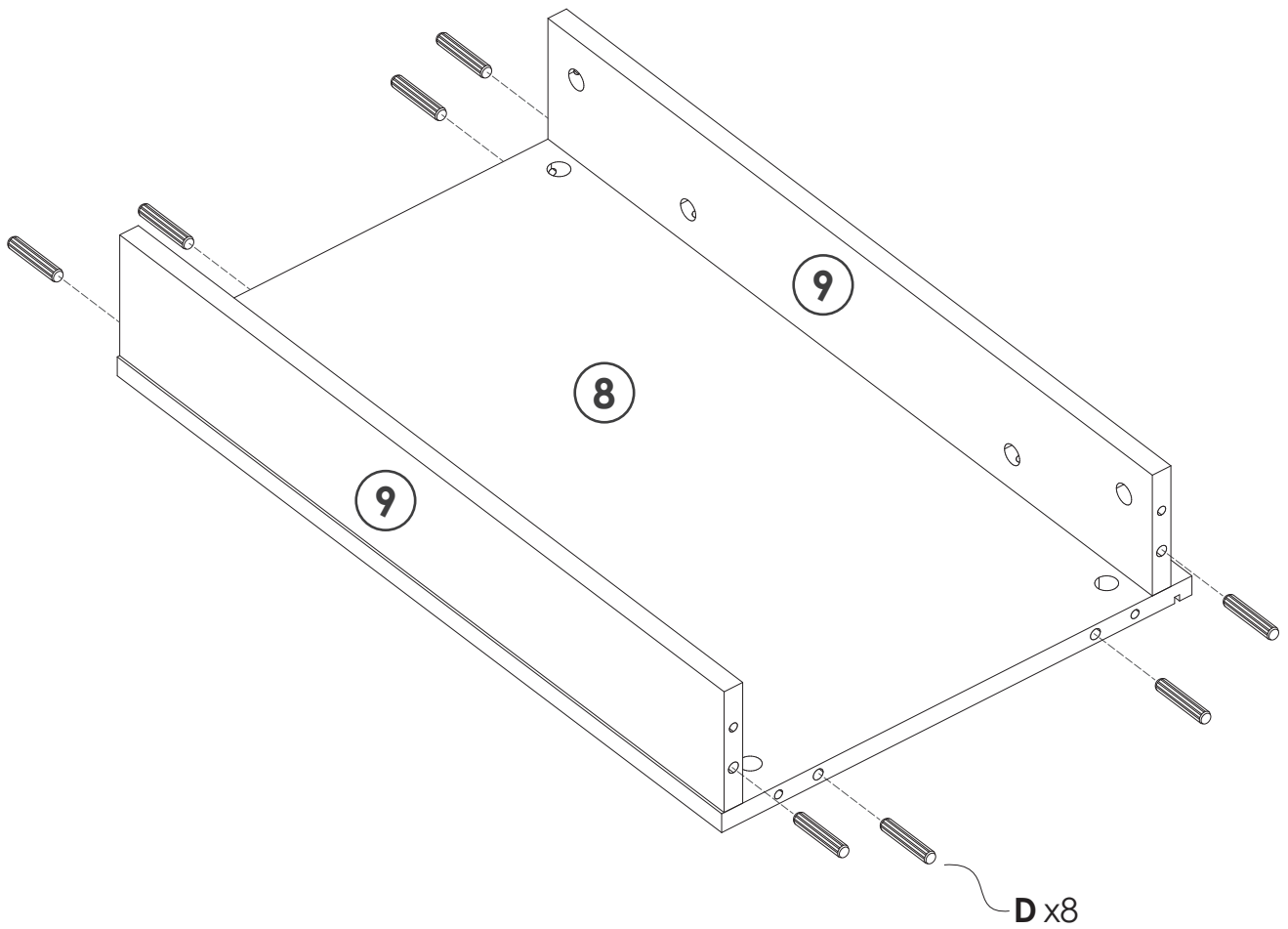
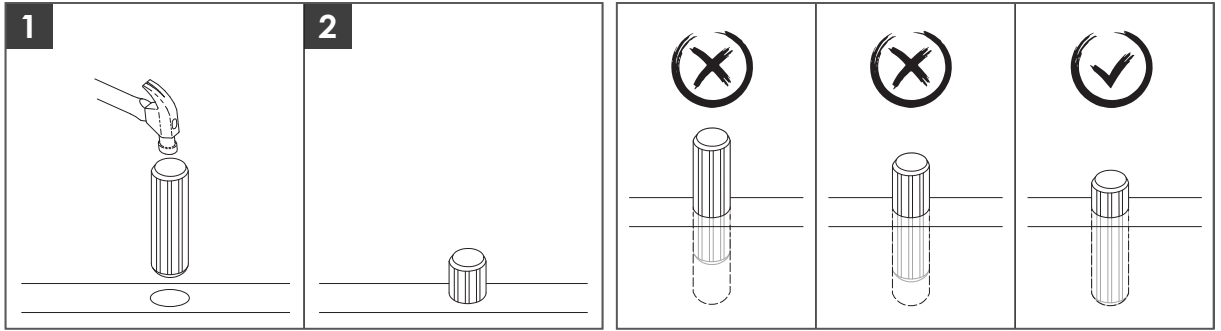
INSTALLATION INSTRUCTION

01



02

D x8pcs
M8*40mm



03

C x2pcs

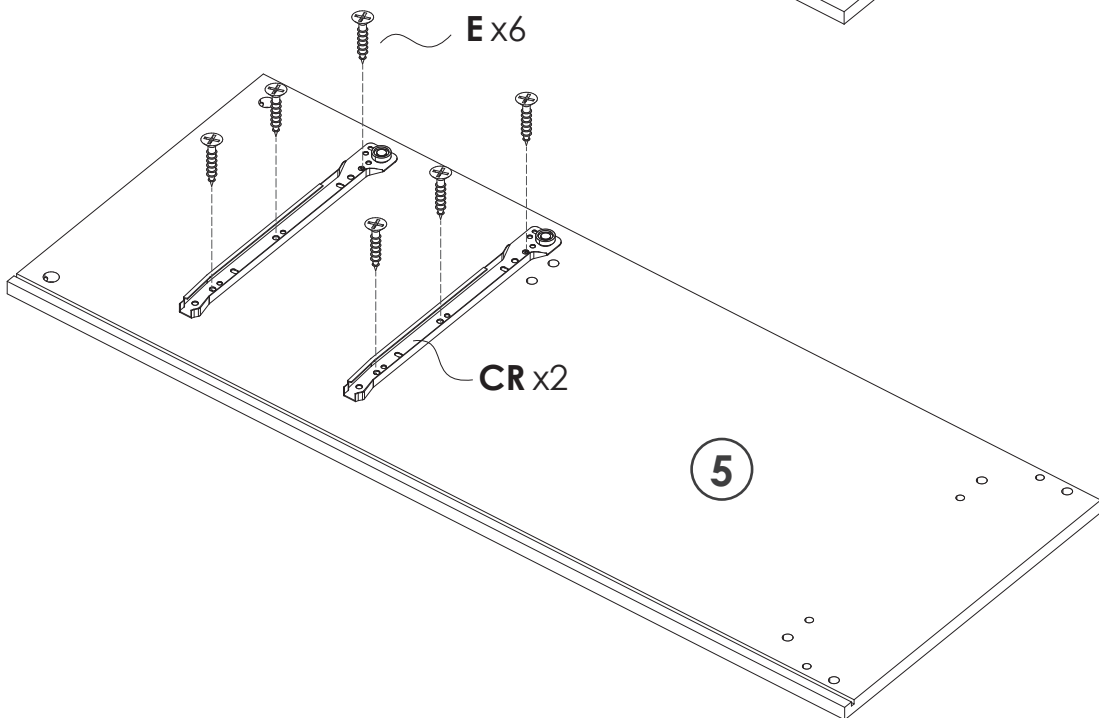
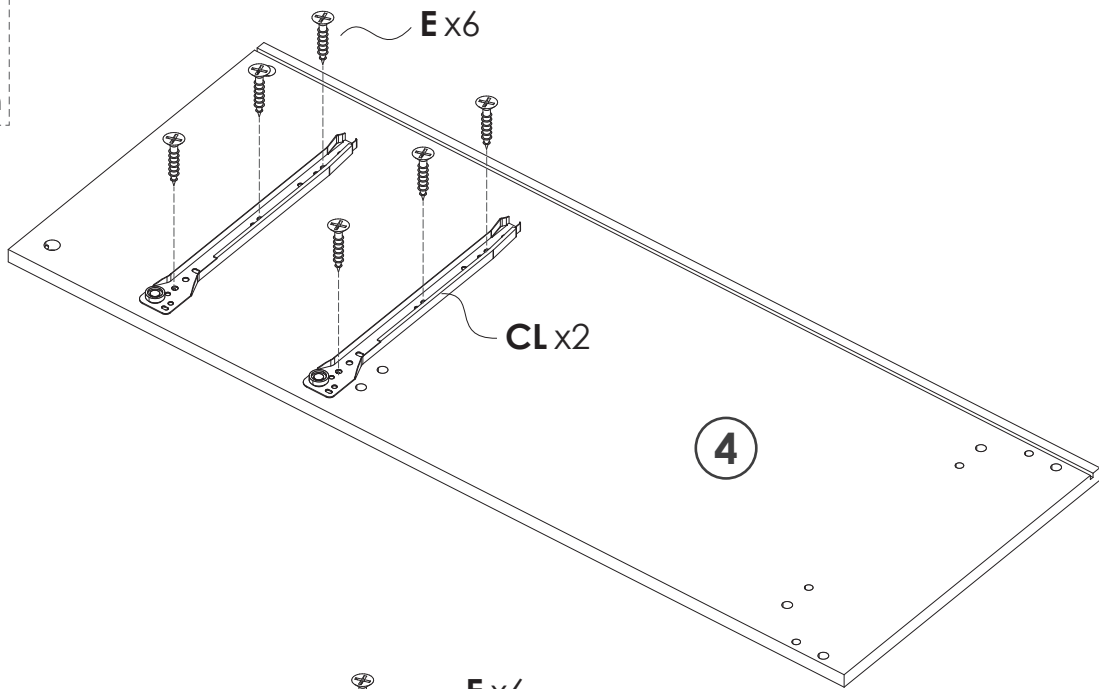
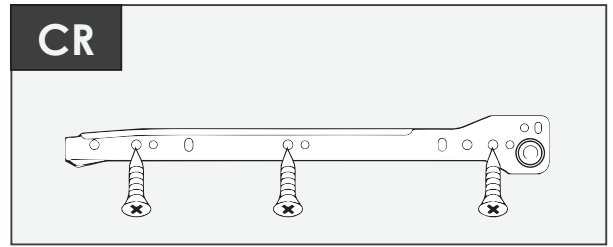
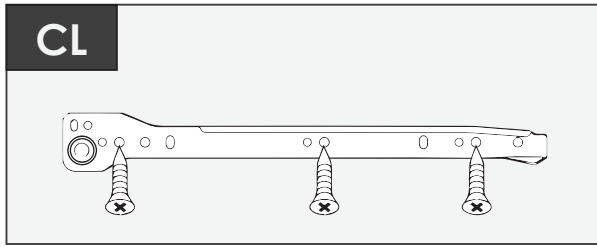


12-inches

E x12pcs



M3.5*14mm



04

A x6pcs

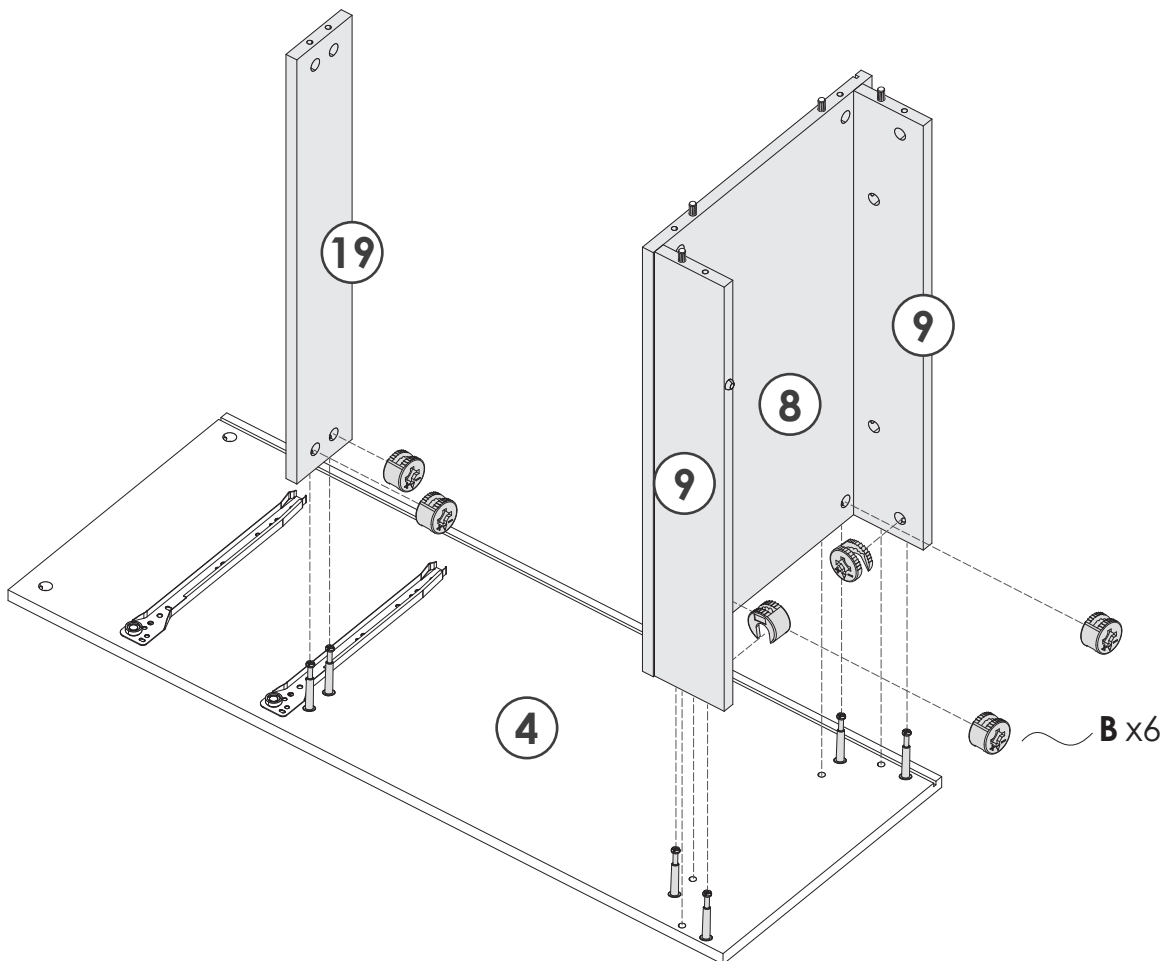
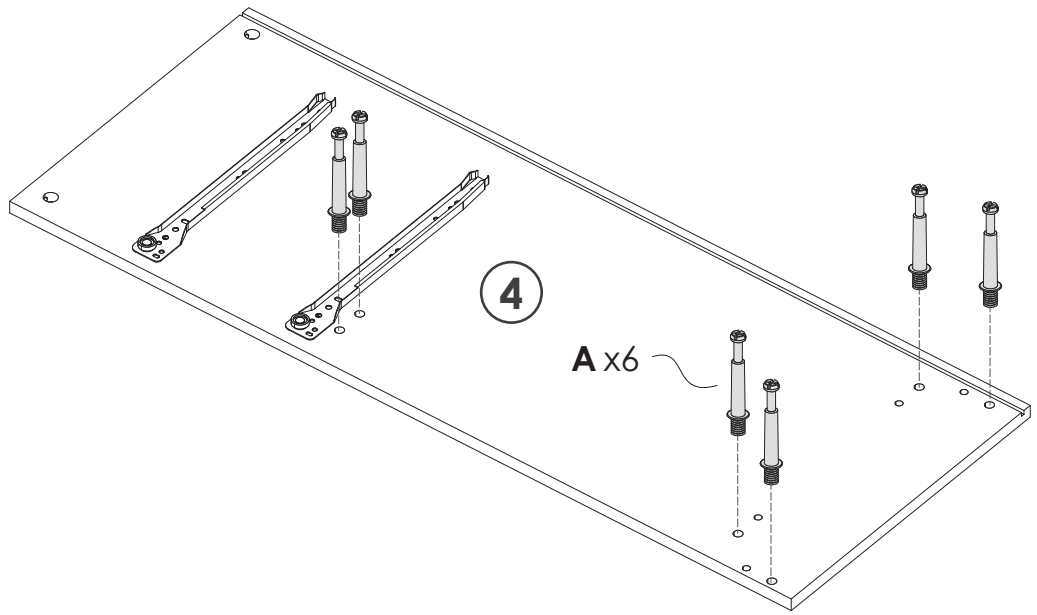


M6*35mm

B x6pcs



M15*10mm



05

A x6pcs

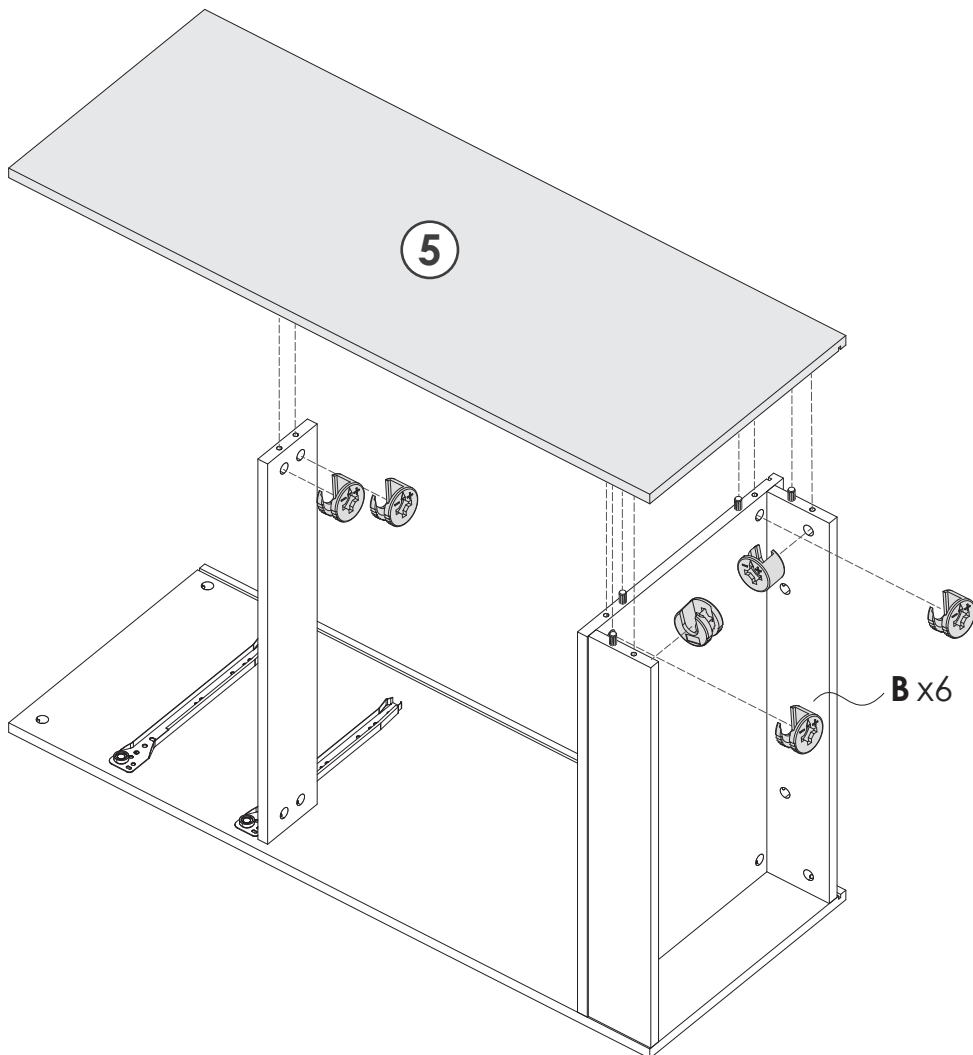
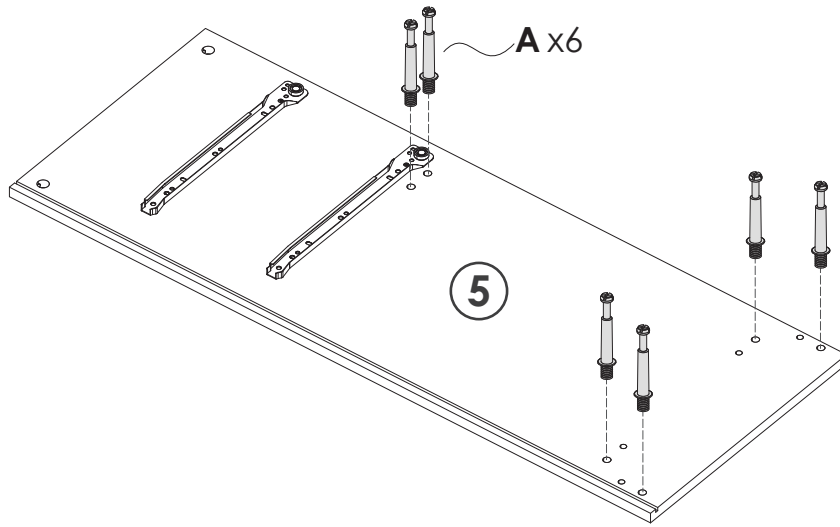


M6*35mm

B x6pcs

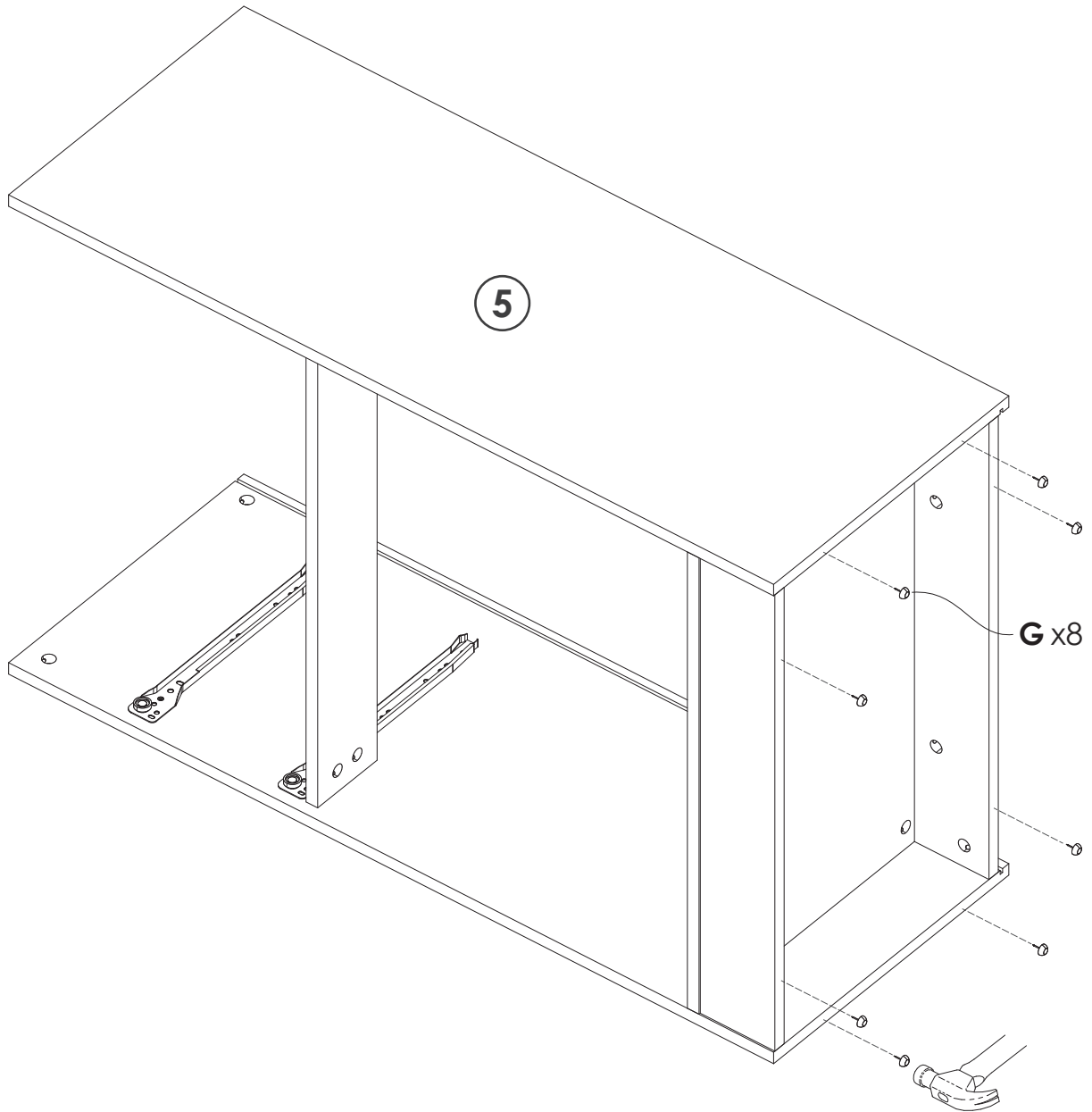


M15*10mm



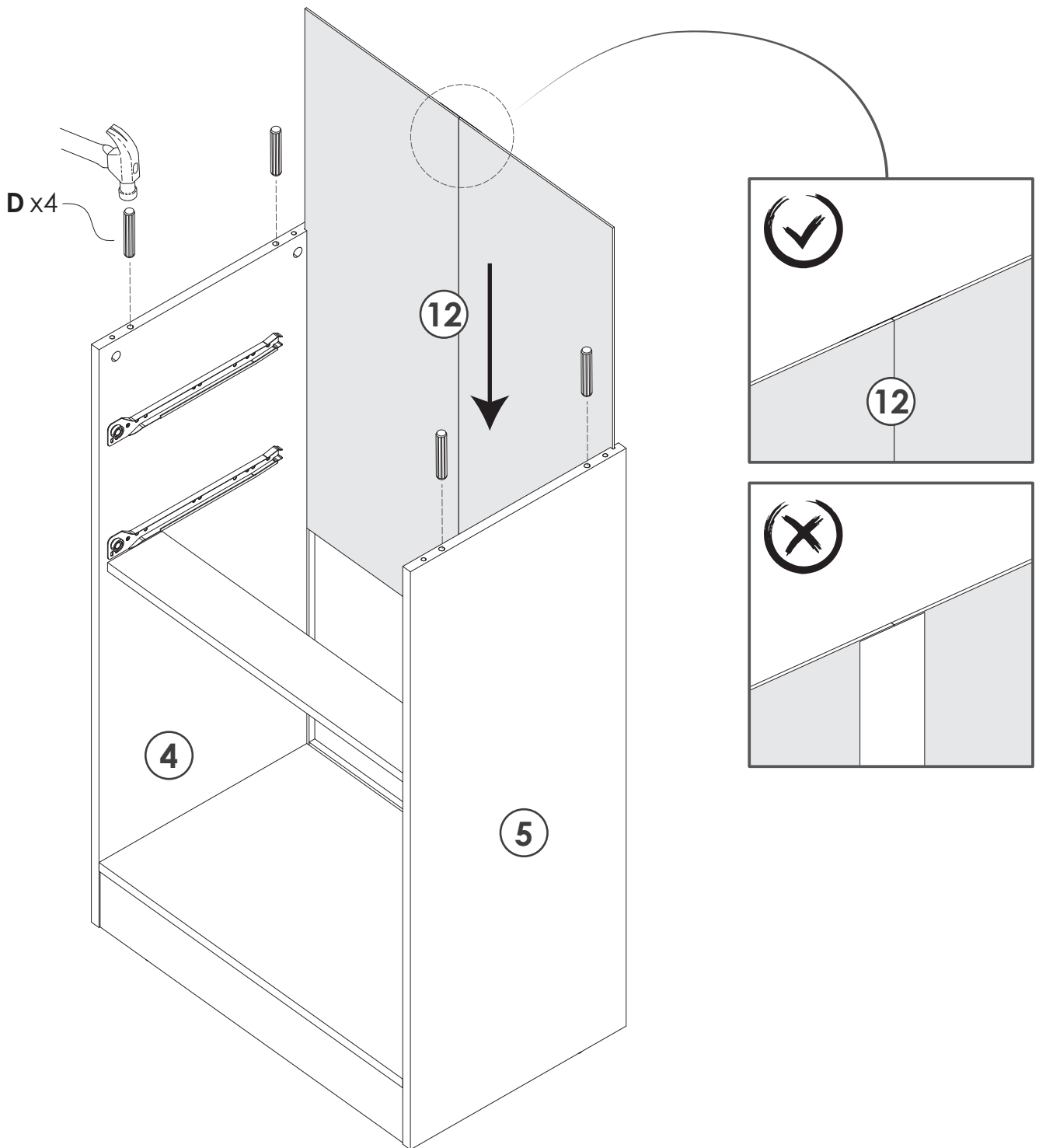
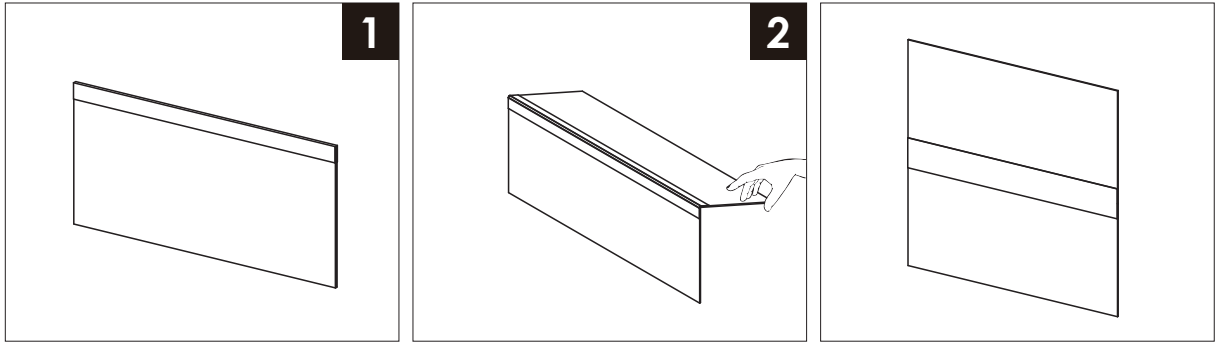
06

G x8pcs



07

D x4pcs
M8*40mm



08

A x8pcs

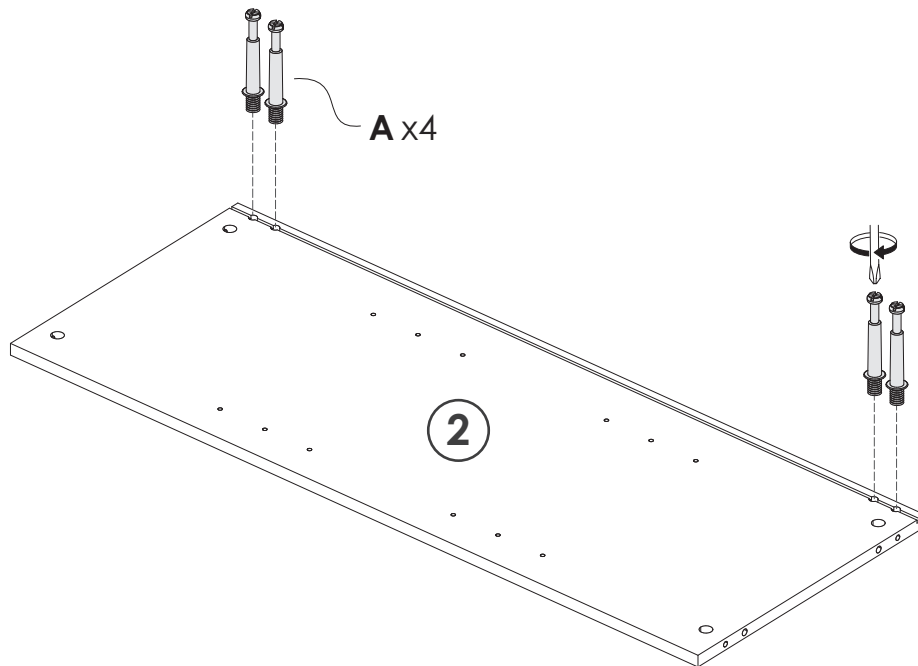


M6*35mm

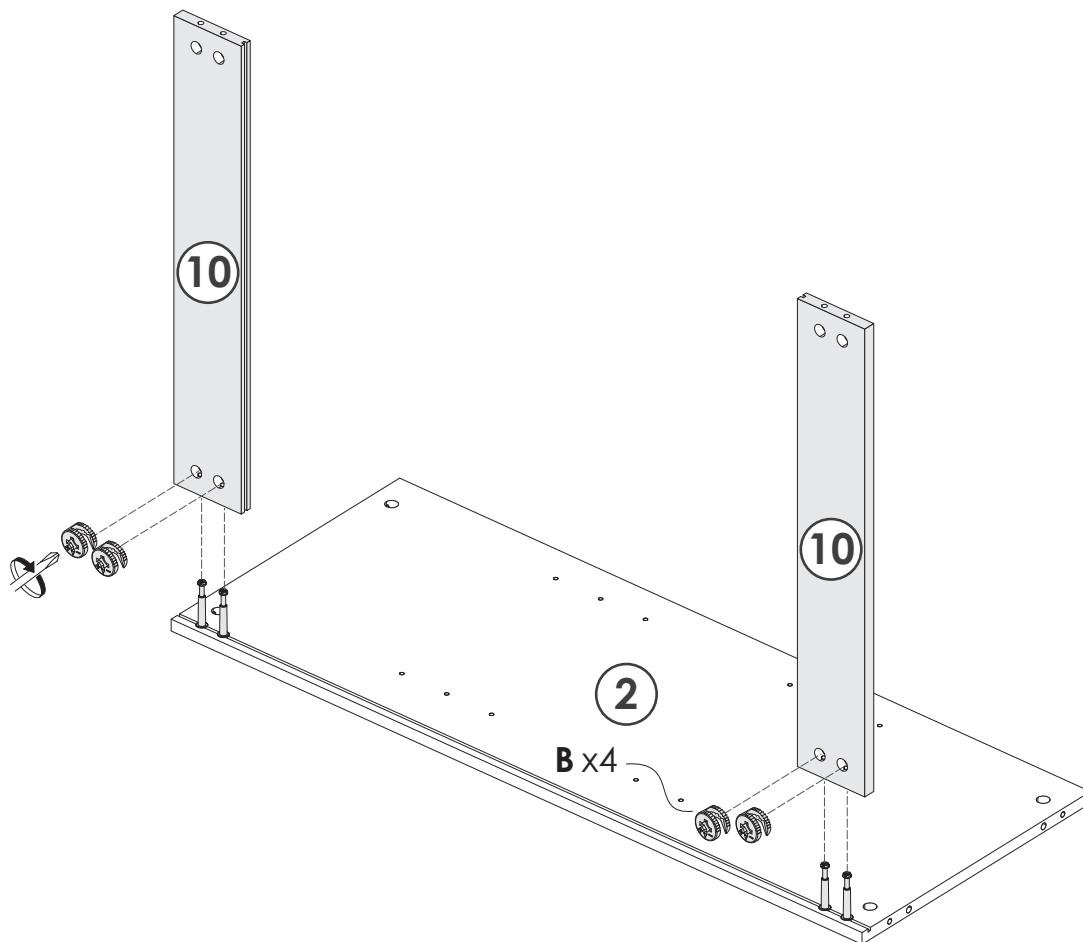
B x4pcs



M15*10mm

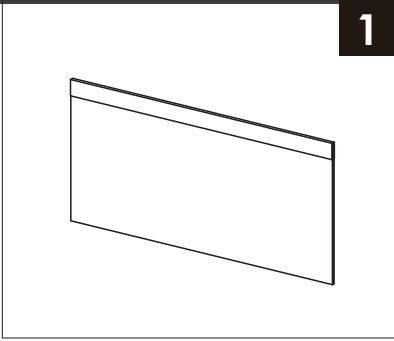


x2

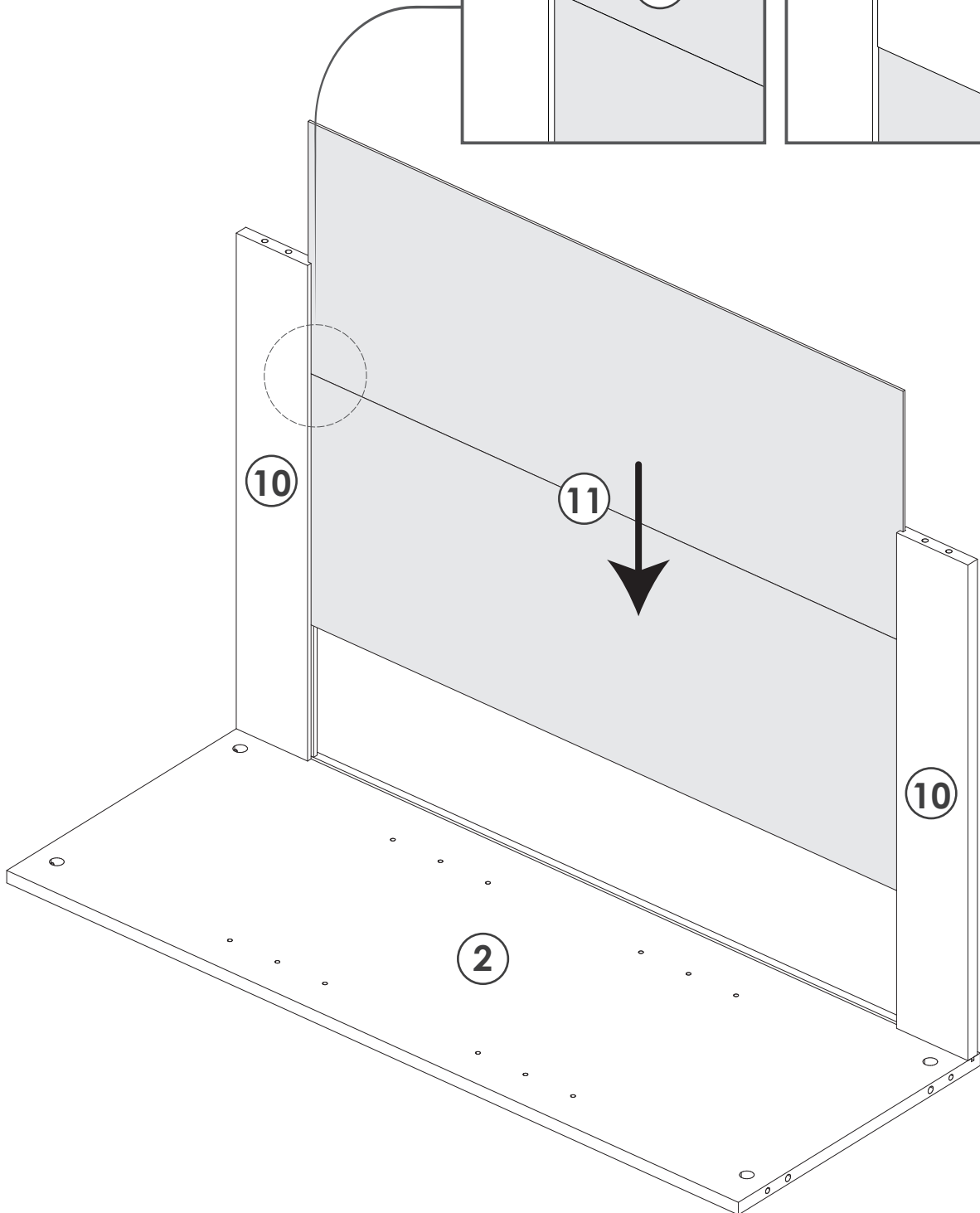
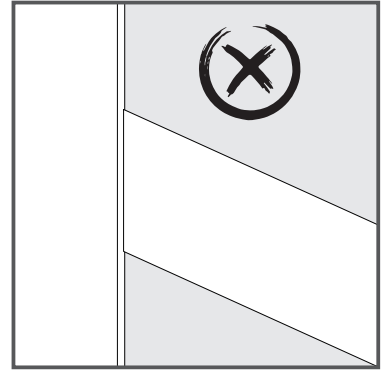
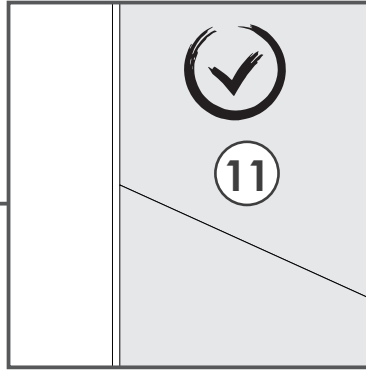
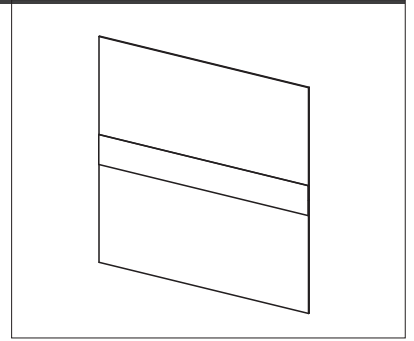
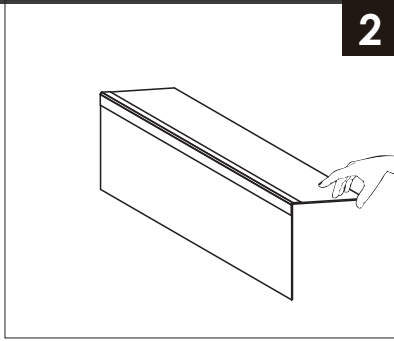


09

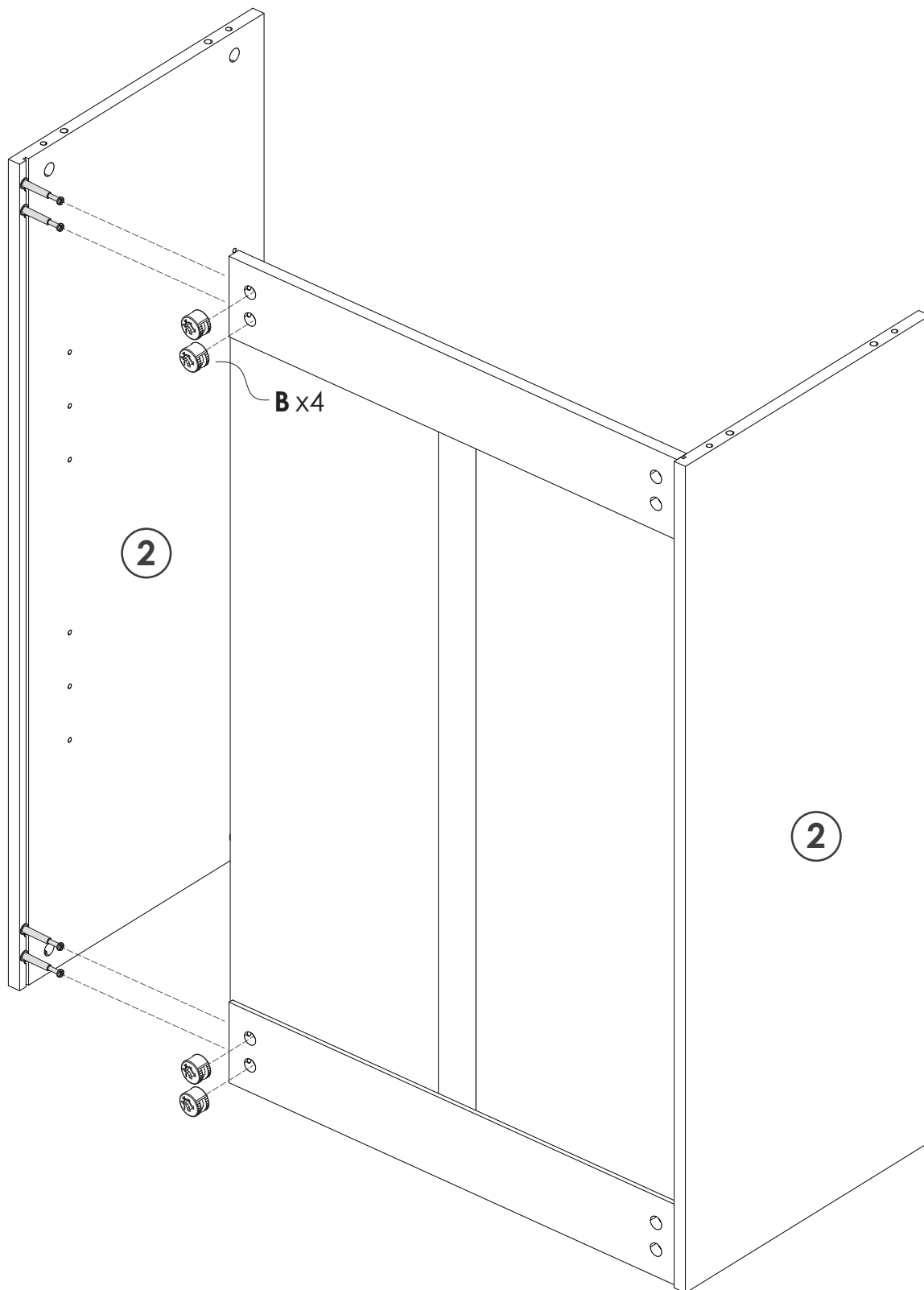
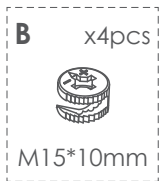
1



2



10



11

A x4pcs



M6*35mm

B x4pcs

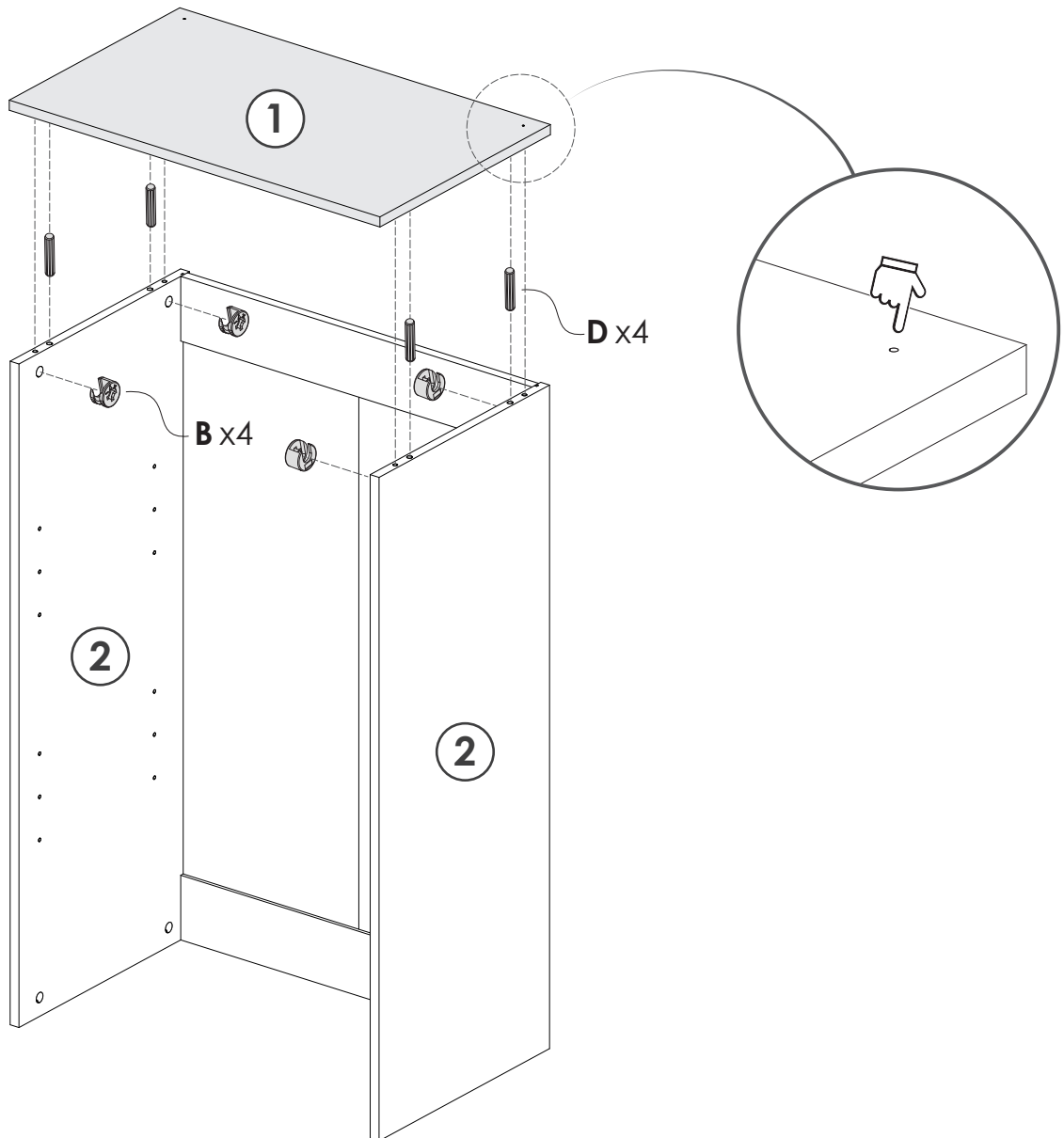
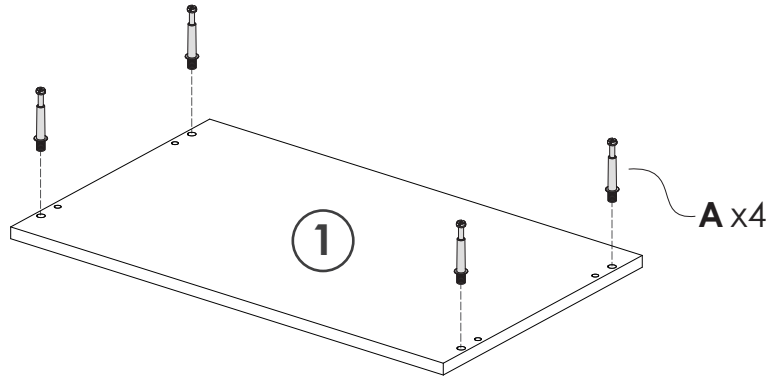


M15*10mm

D x4pcs



M8*40mm



12

A x4pcs



M6*35mm

B x4pcs

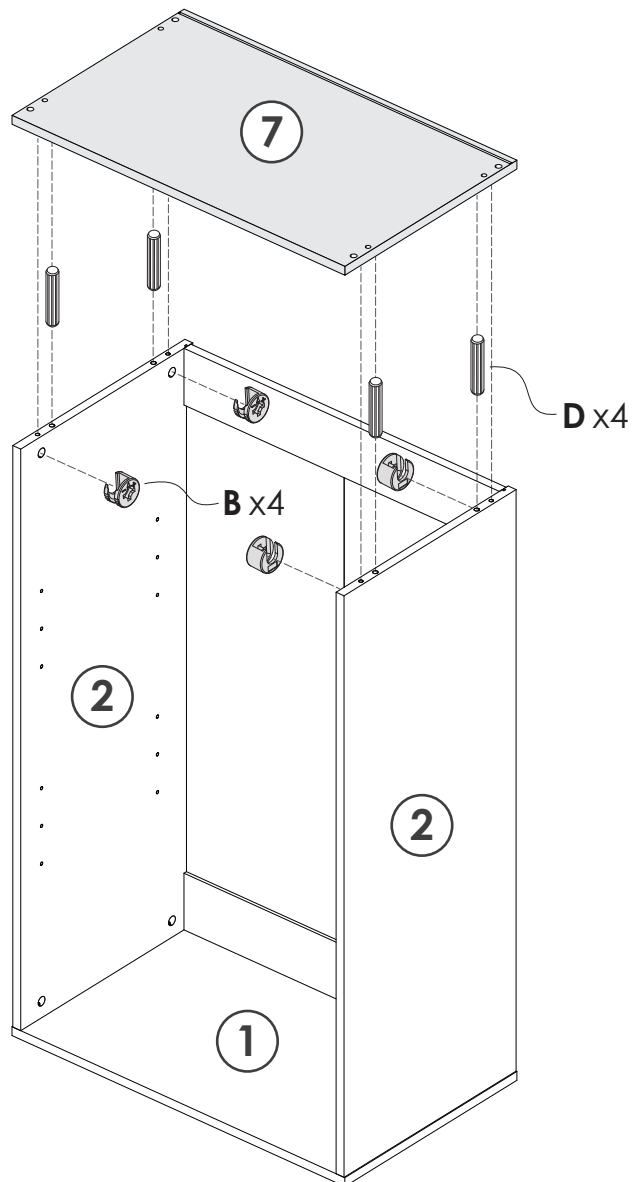
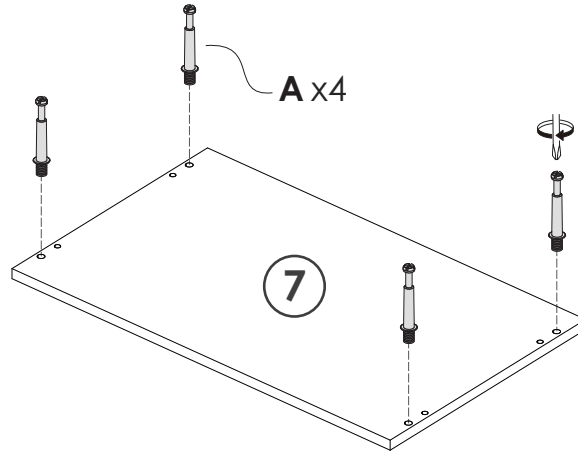


M15*10mm

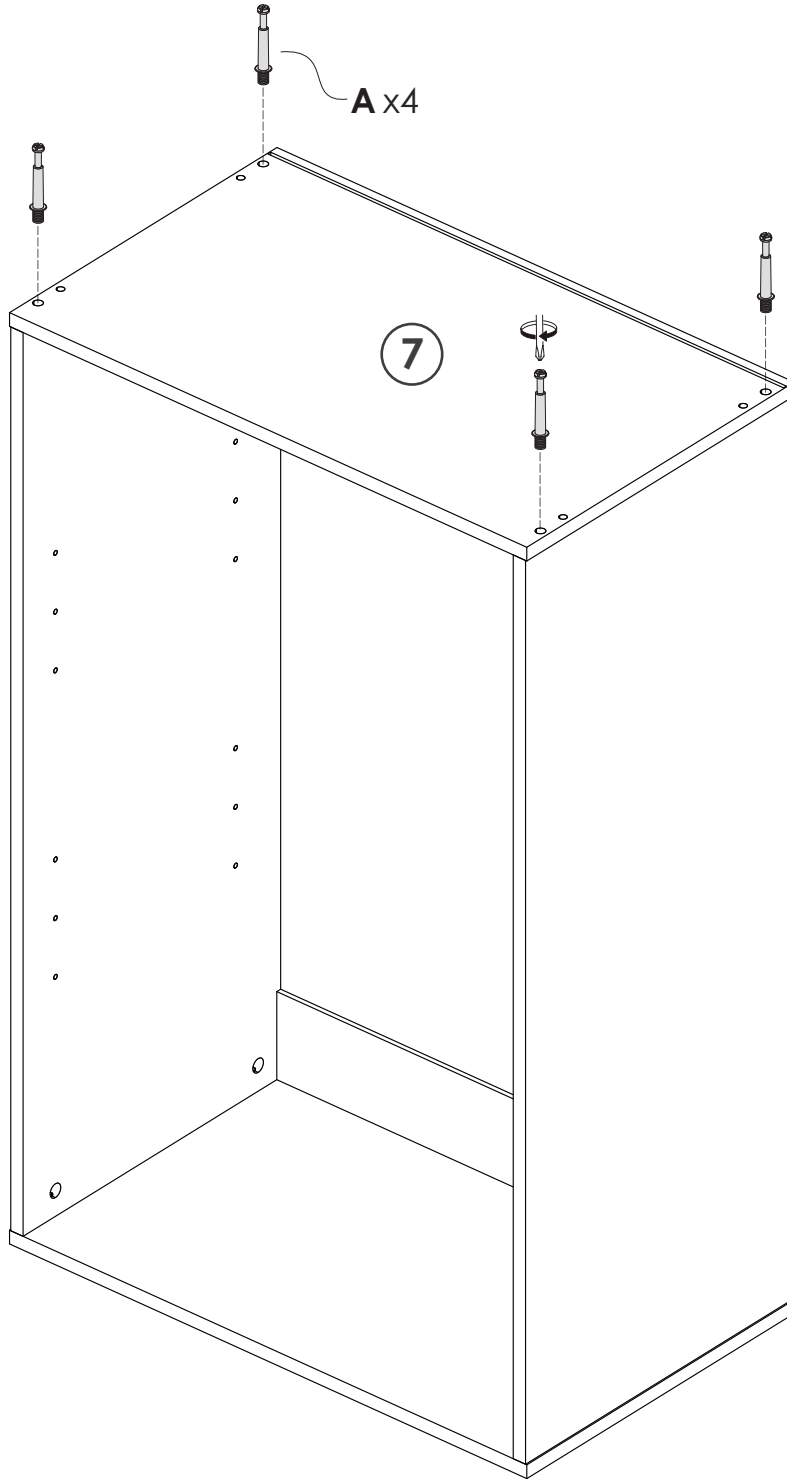
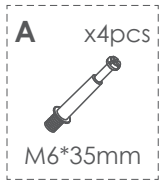
D x4pcs



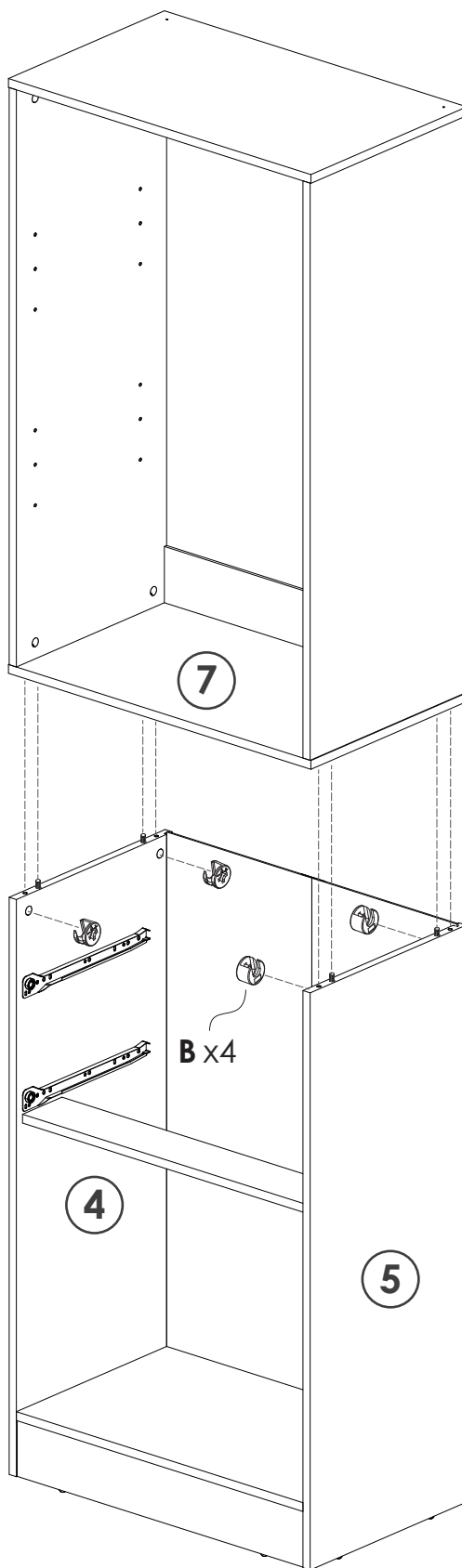
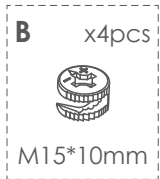
M8*40mm



13

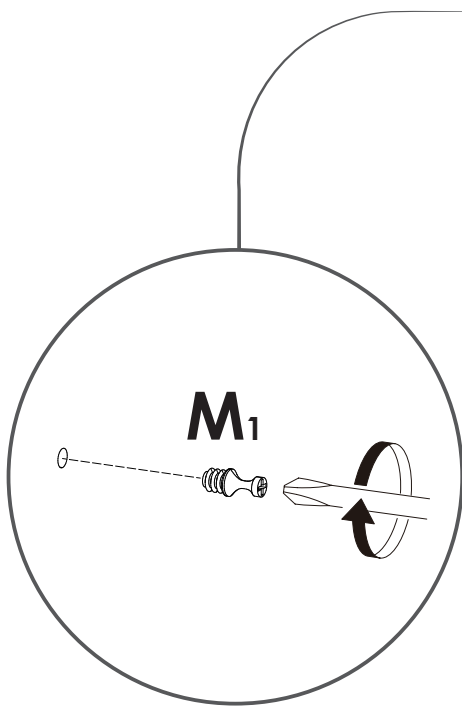


14

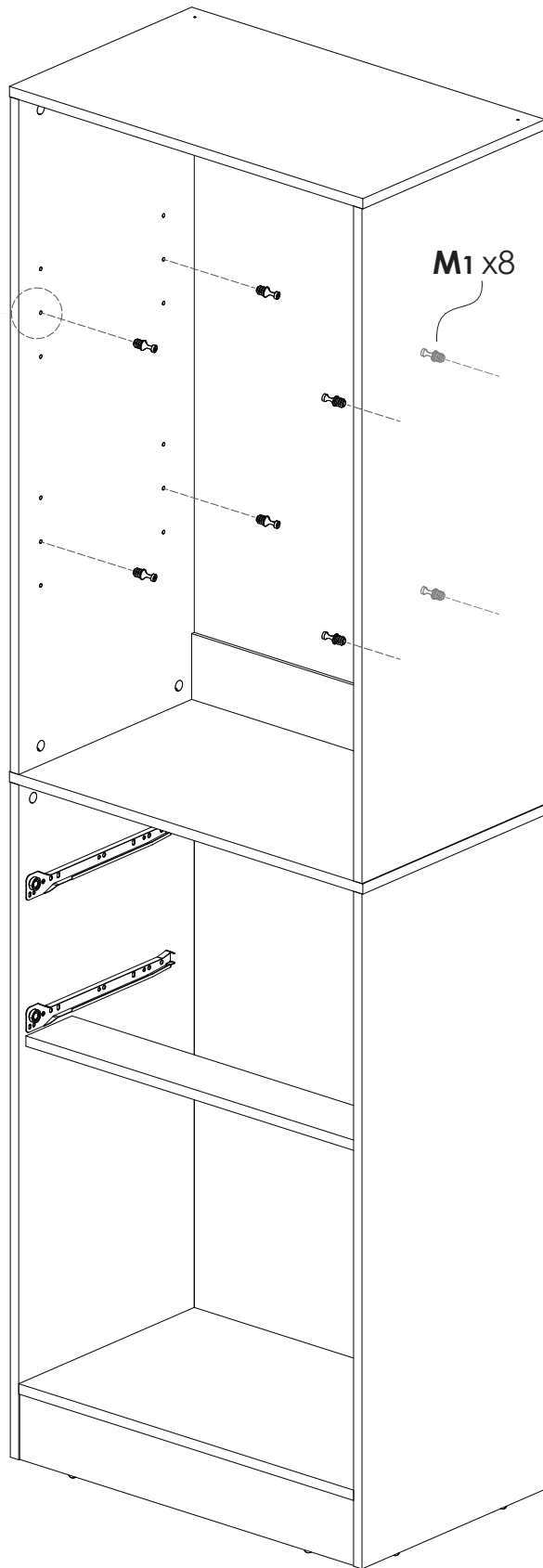


15

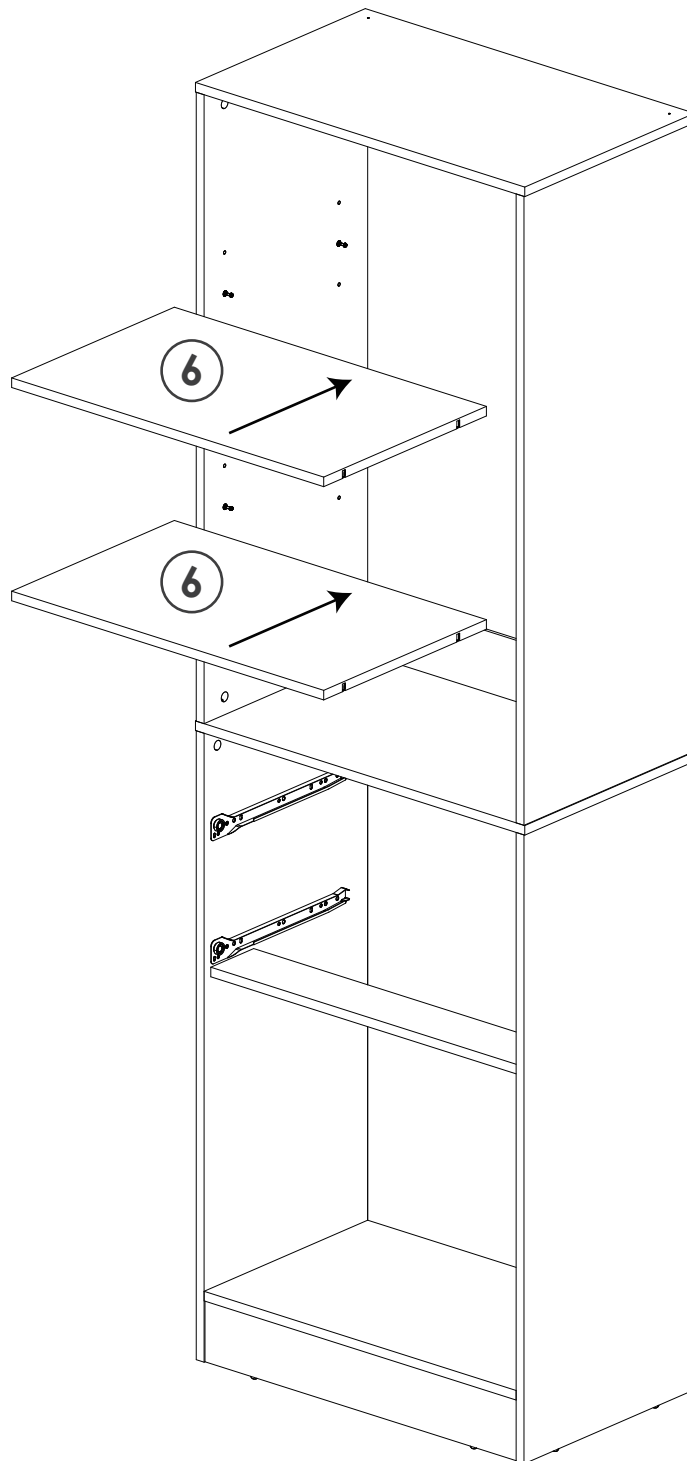
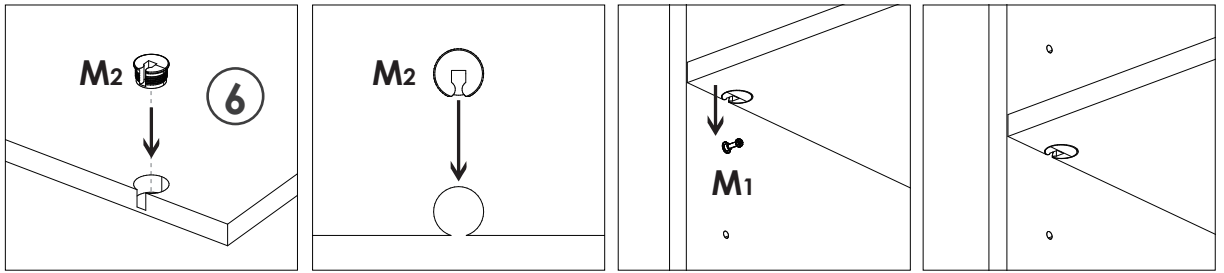
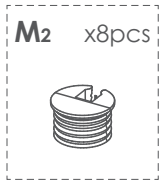
M1 x8pcs



Select installation height according to specific requirements.

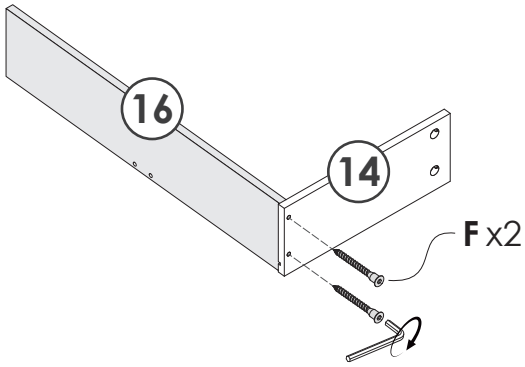


16

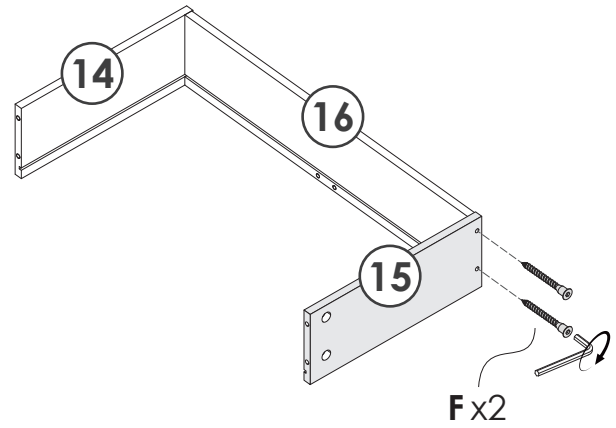
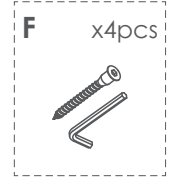


17-a

1

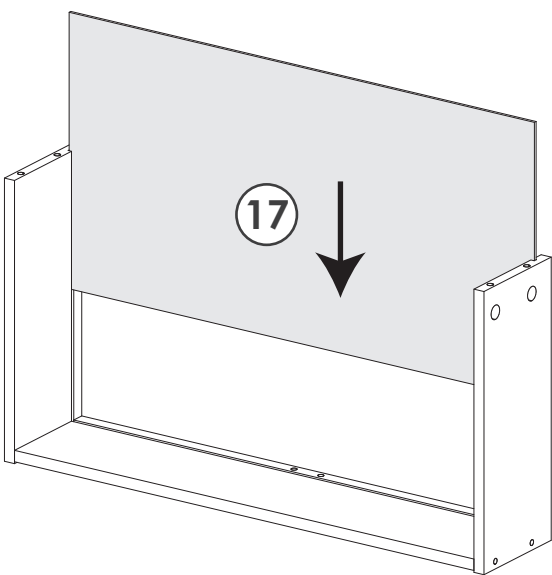


2

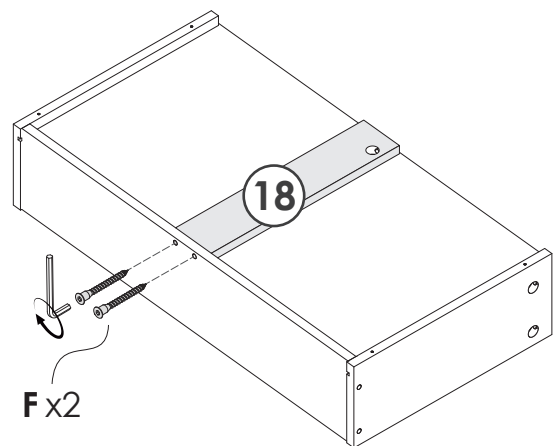
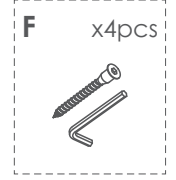


x2

3

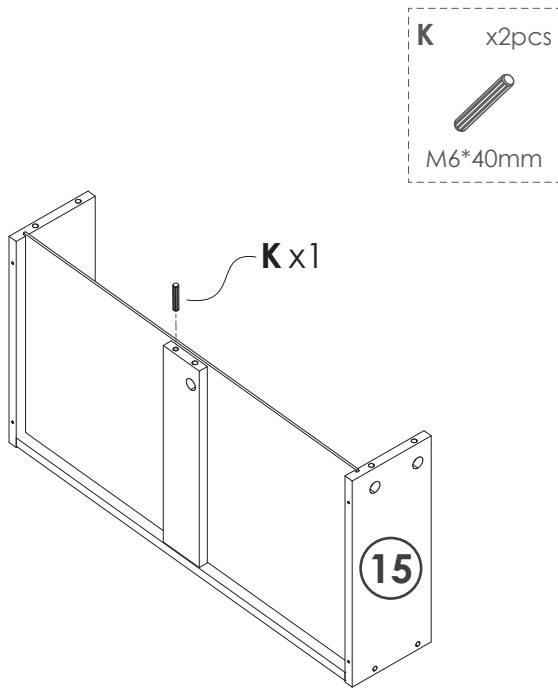


4

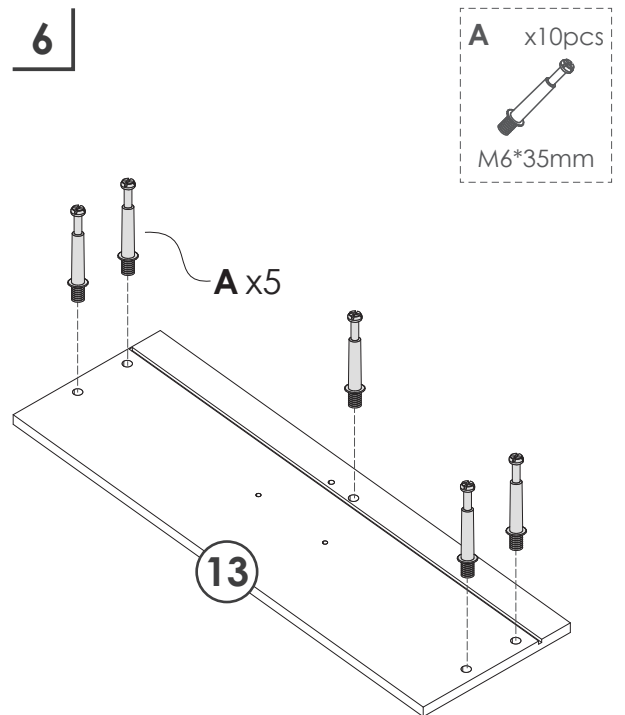


17-b

5

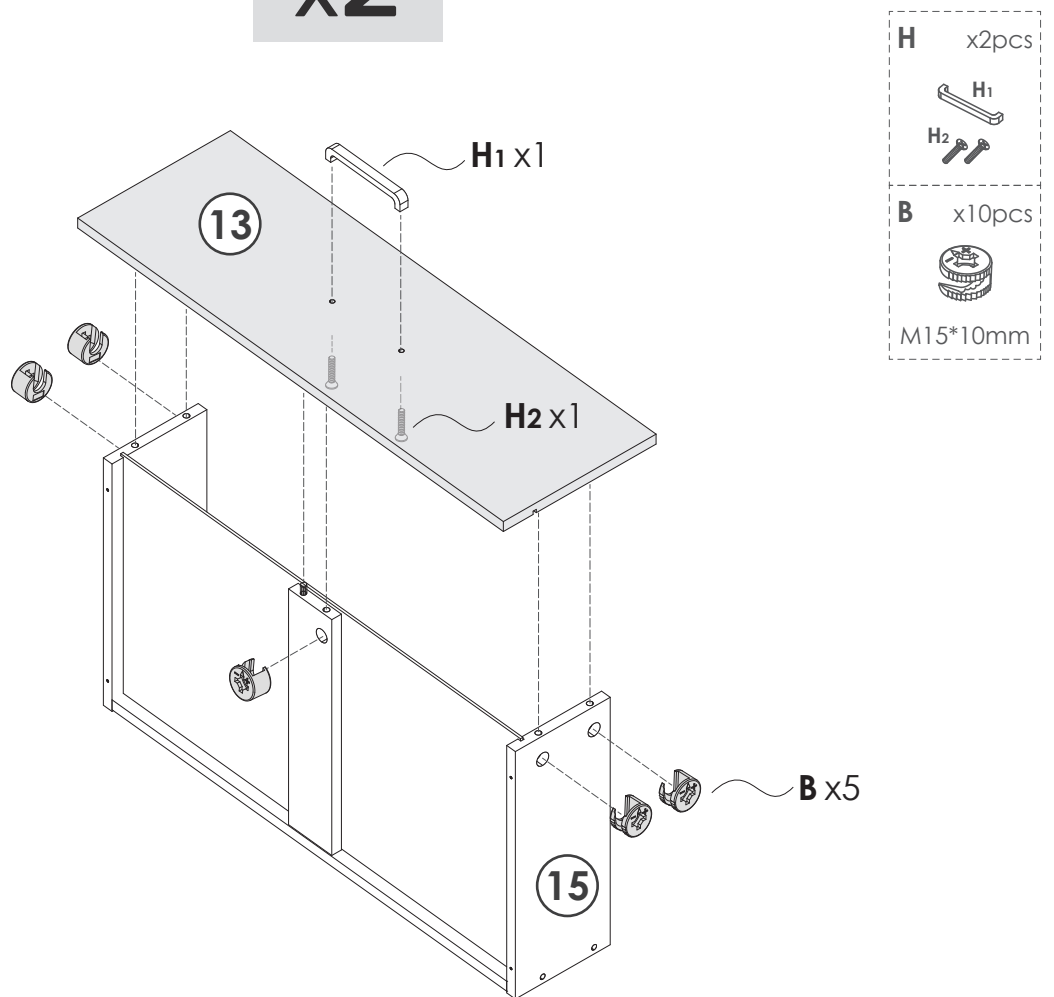


6



x2

7



18

C x2pcs

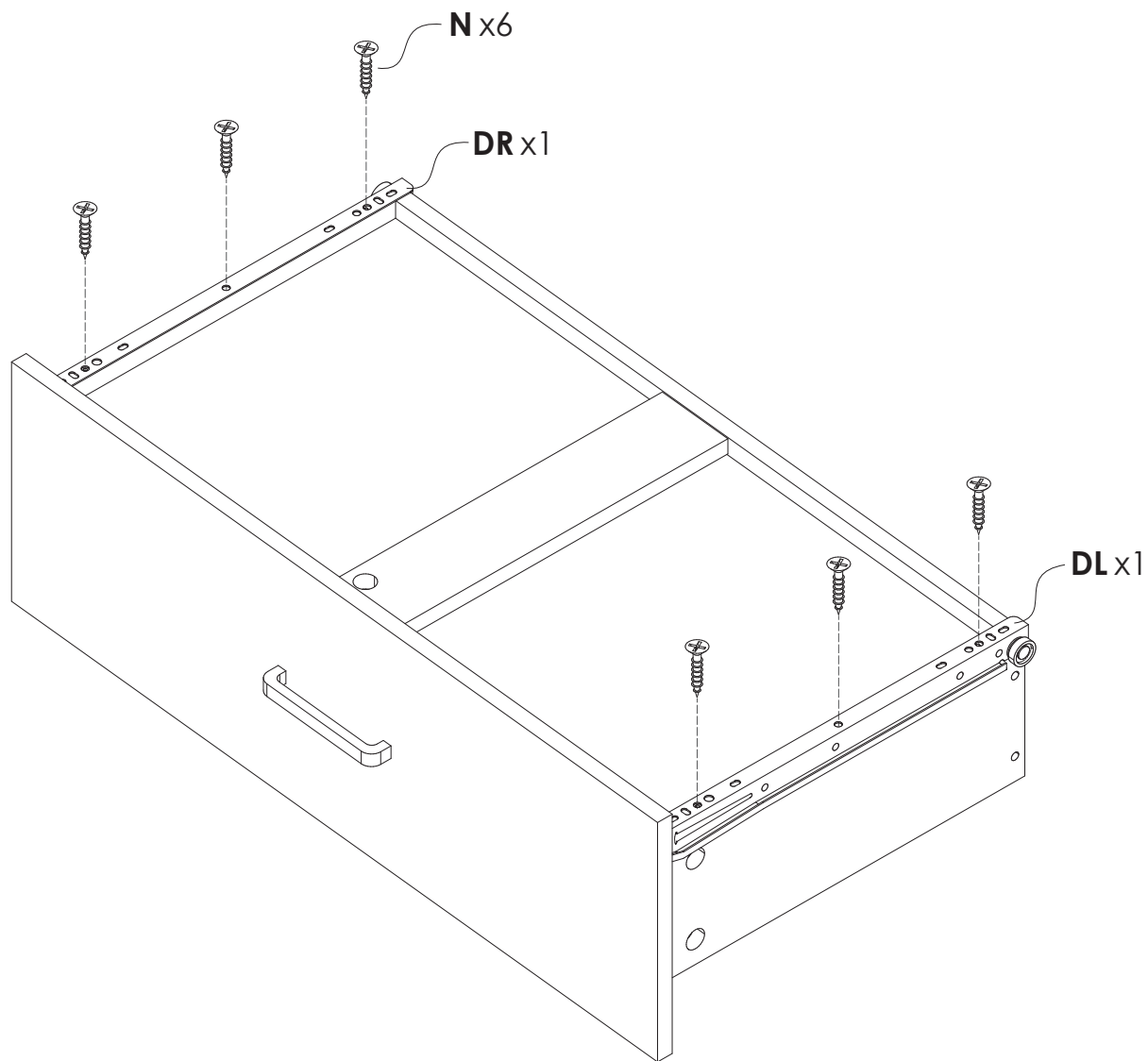
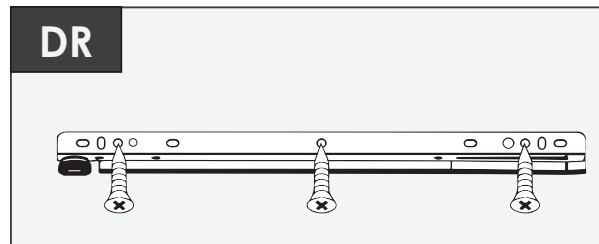
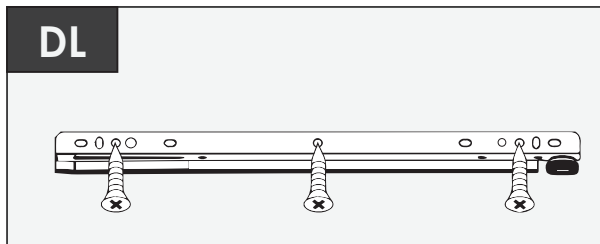


12-inches

N x12pcs

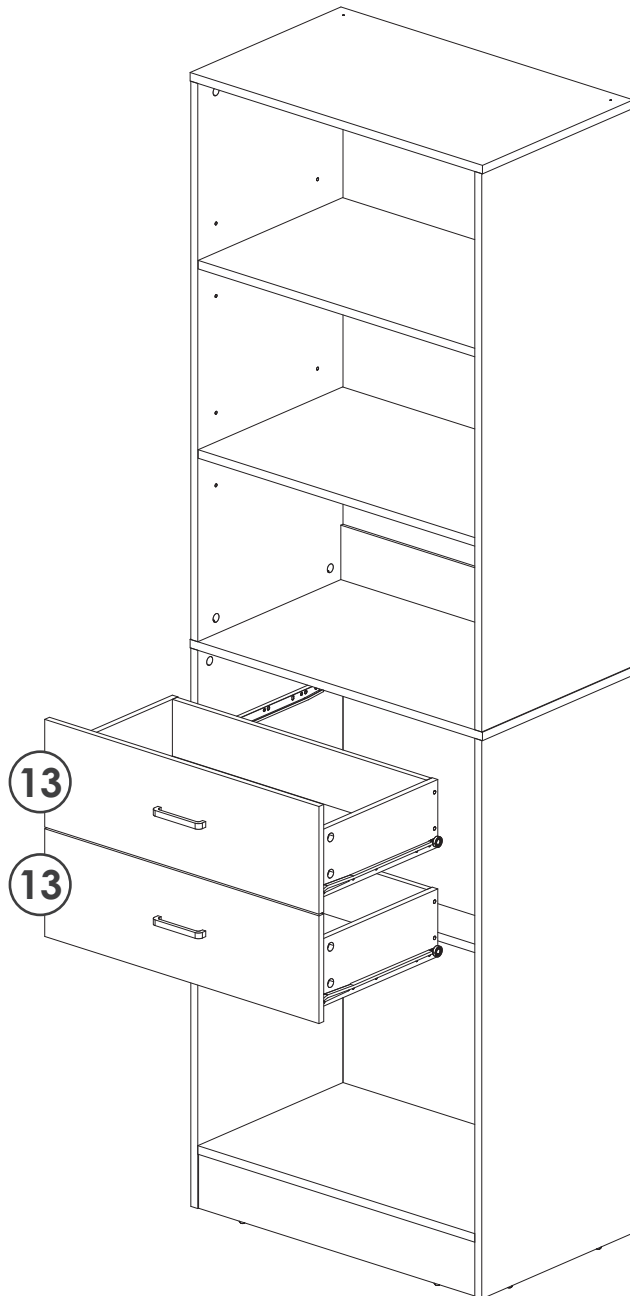
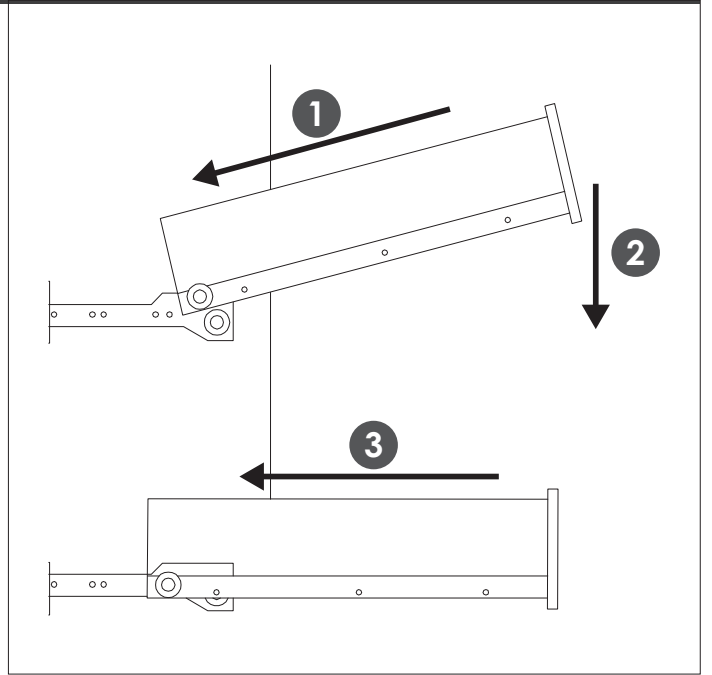
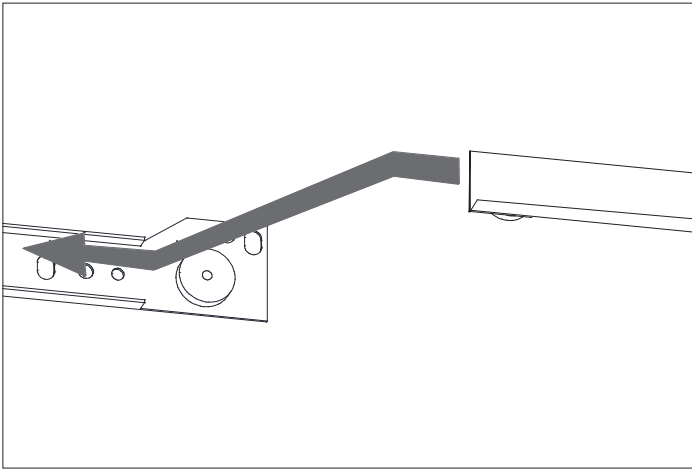


M3*12mm

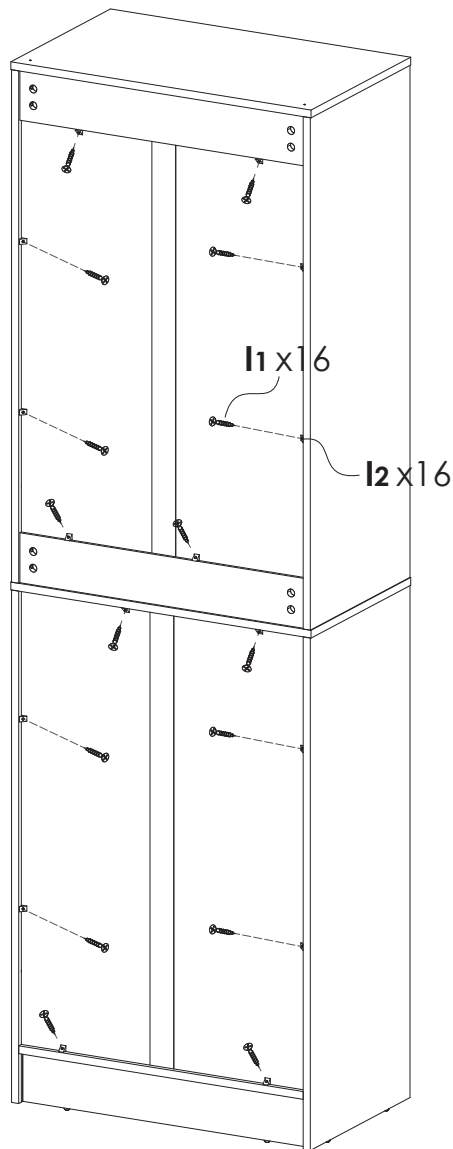
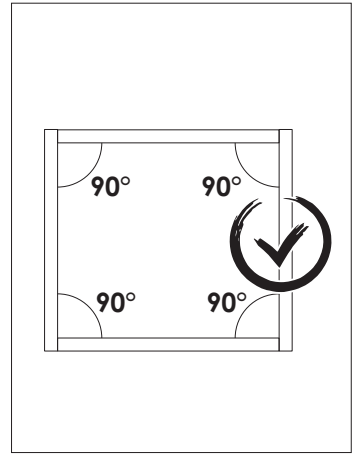
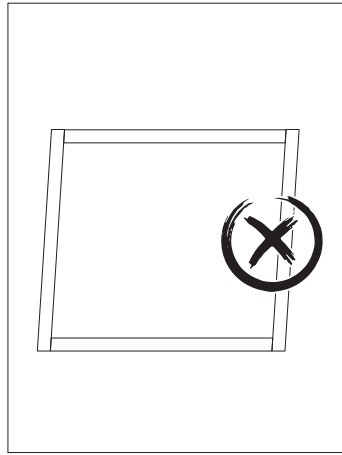
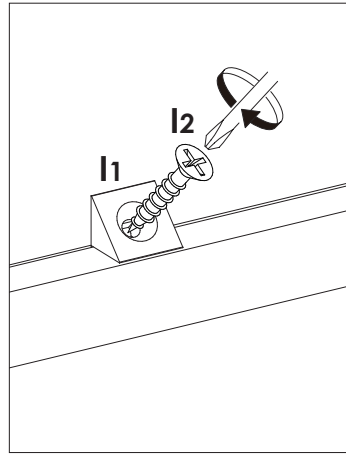
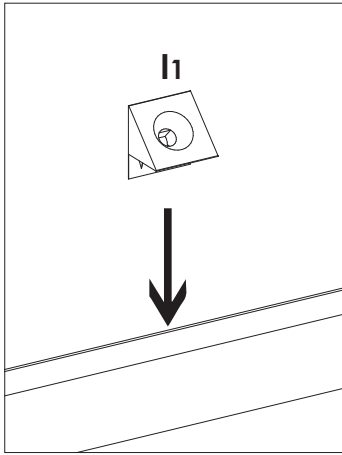
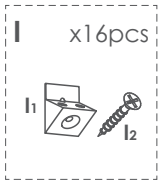


x2

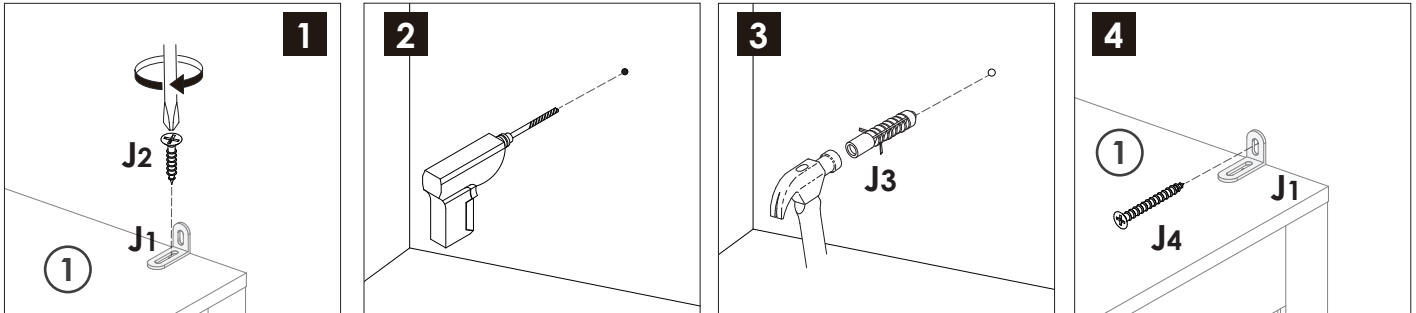
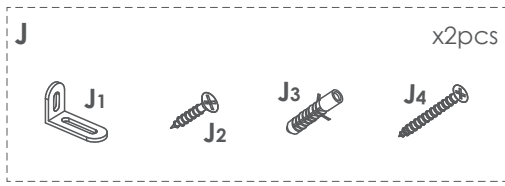
19



20



21



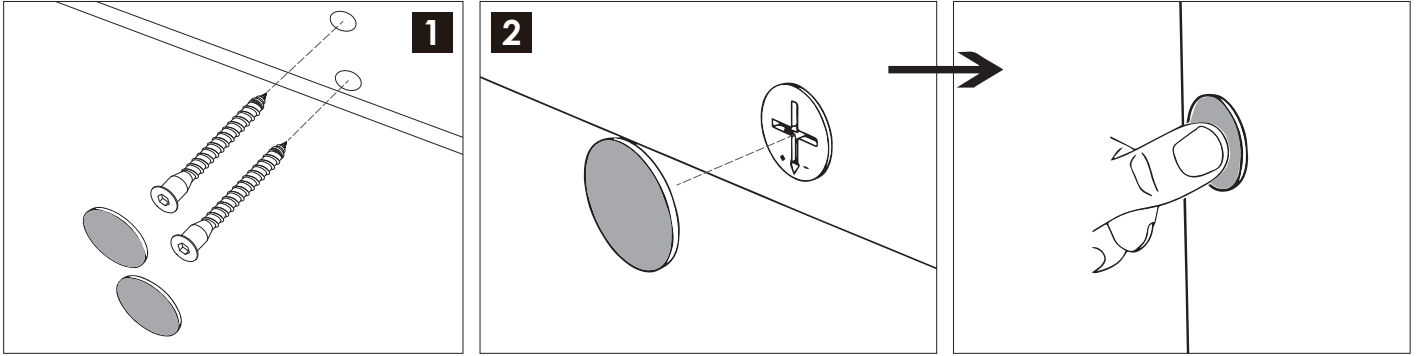
Mandatory!

For safety reasons, we recommend you follow these instructions to install the anti-tipping hardware, when installed properly, this hardware may prevent the unit from tipping unexpectedly.

-WARNING -Serious injury can occur if furniture tips over. Place heavy items on lower shelved and as far back as possible.

22

L x24pcs
21mm



Add L fittings to all exposed holes on the front of the product



WARRANTY

We provide an **18-month** warranty on the product starting from the date of the original purchase. If the product has any manufacturing defect, please contact us through email with details about the problem. We will send you further information about the return or exchange.

Model: JY-250807

Made in China

